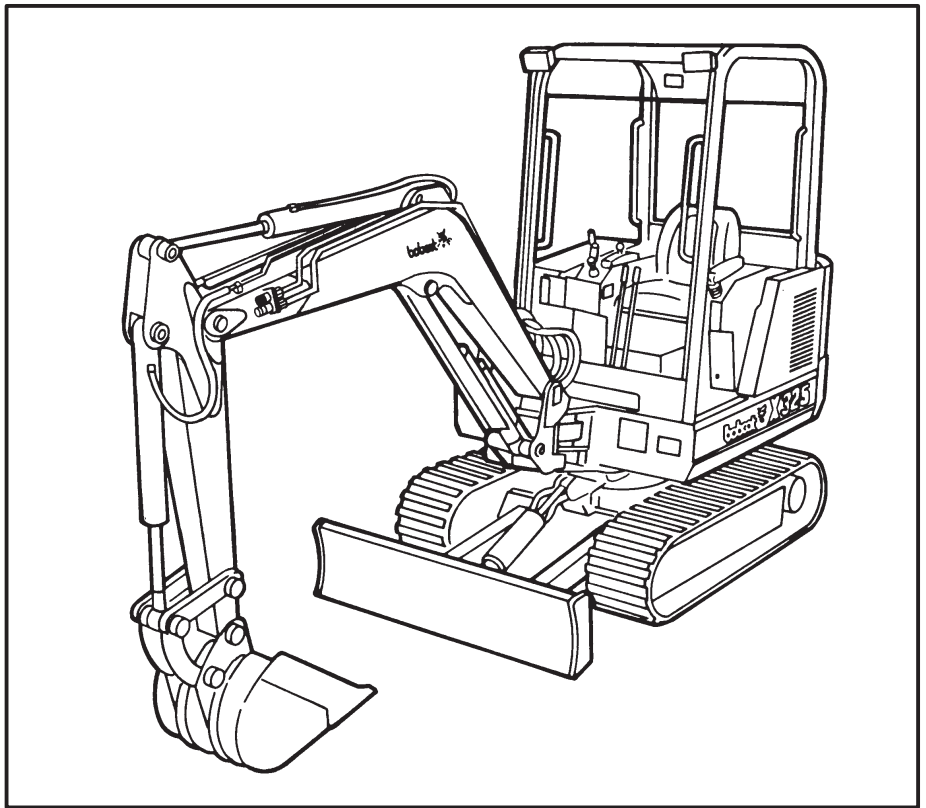


X 325

Excavator

Service Manual

(S/N 514011001 – 514012999)



CONTENTS

SAFETY INSTRUCTIONS	iv
SERIAL NUMBER LOCATIONS	vi
DELIVERY REPORT	vi
HYDRAULIC EXCAVATOR IDENTIFICATION	vii
PREVENTIVE MAINTENANCE	1-1
HYDRAULIC SYSTEM	2-1
DRIVE SYSTEM	3-1
UPPER WORKS & SWING SECTION	4-1
MAIN FRAME & TRACKS	5-1
ELECTRICAL SYSTEM	6-1
ENGINE SERVICE	7-1
SPECIFICATIONS	8-1

**PREVENTIVE
MAINTENANCE**

**HYDRAULIC
SYSTEM**

**DRIVE
SYSTEM**

**UPPER WORKS
& SWING
SECTION**

**MAIN FRAME
& TRACKS**

**ELECTRICAL
SYSTEM**

**ENGINE
SERVICE**

SPECIFICATIONS

Thank you so much for reading.
Please click the “Buy Now!”
button below to download the
complete manual.



After you pay.

You can download the most
perfect and complete manual in
the world immediately.

Our support email:

ebooklibonline@outlook.com