

Product: VIBRATORY COMPACTOR

Model: CP-563E VIBRATORY COMPACTOR BWE

Configuration: CS-563E CP-563E Vibratory Compactor BWE00001-UP (MACHINE) POWERED BY 3056E Engine

Disassembly and Assembly

CP-563E, CP-573E, CS-563E, CS-573E and CS-583E Paving Compactors Machine Systems

Media Number -KENR3604-04

Publication Date -01/09/2008

Date Updated -22/09/2008

i01905305

Piston Pump (Vibratory) - Disassemble - Variable Frequency Pump

SMCS - 5070-015; 5652-015

Disassembly Procedure

Table 1

| Required Tools | | | |
|----------------|-------------|-------------------|-----|
| Tool | Part Number | Part Description | Qty |
| A | 147-3497 | Spring Compressor | 1 |

Start By:

- A. Remove the vibratory pump. Refer to Disassembly and Assembly, "Piston Pump (Vibratory) - Remove".

Note: Cleanliness is an important factor. Before the disassembly procedure, the exterior of the component should be thoroughly cleaned. This will help to prevent dirt from entering the internal mechanism.

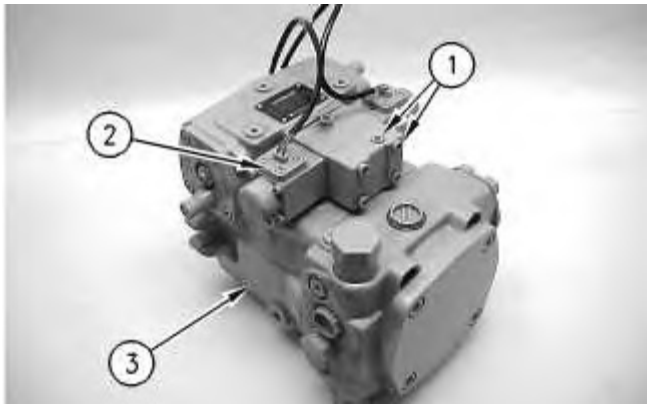


Illustration 1

g00992114

1. Remove bolts (1). Remove the cover, valve assembly (2), and the seals from housing (3) .

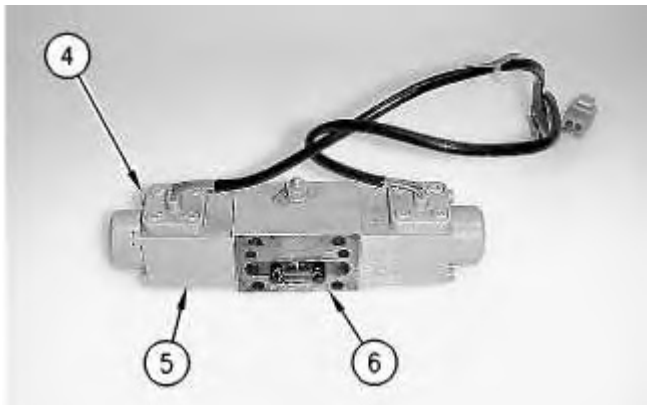


Illustration 2

g00992115

2. Use the following procedure and disassemble valve assembly (2) .
 - a. Remove bolts (4) and coil (5) from both sides of valve body (6) .

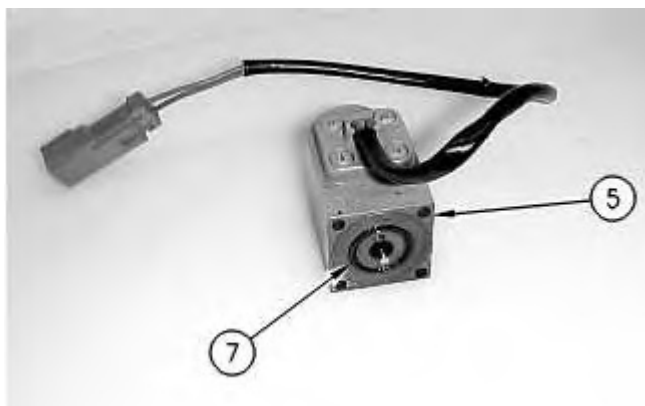


Illustration 3

g00992116

b. Remove O-ring seal (7) from coils (5) .

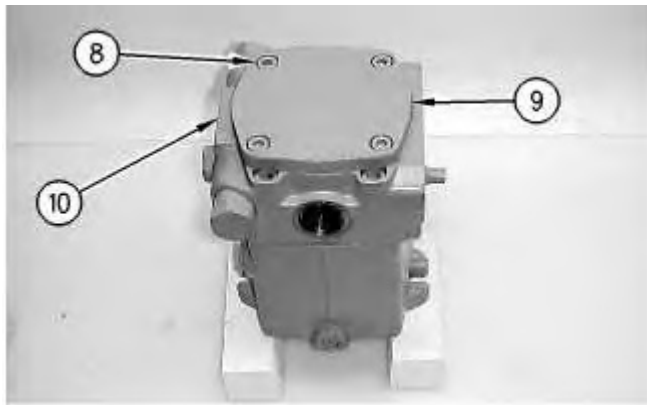


Illustration 4

g00992065

3. Remove bolts (8). Remove cover (9) from head assembly (10) .



Illustration 5

g00992096

4. Remove O-ring seal (12) from flange (11) .



Illustration 6

g00992108

5. Remove flange (11) from head assembly (10) .



Illustration 7

g00992099

6. Remove seal (13) from flange (11) .

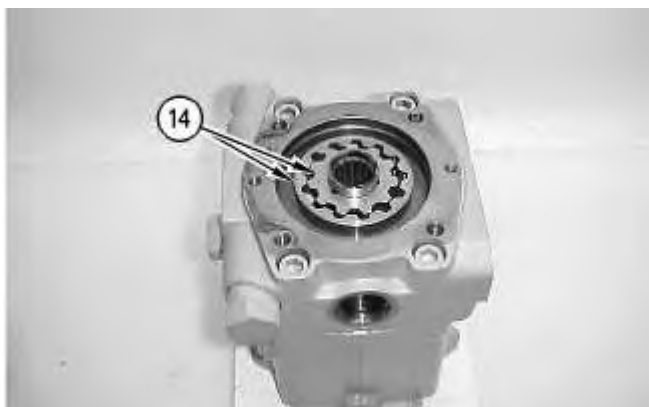


Illustration 8

g00992075

Note: Mark the orientation of charge pump (14) for assembly purposes.

7. Remove charge pump (14) .
-

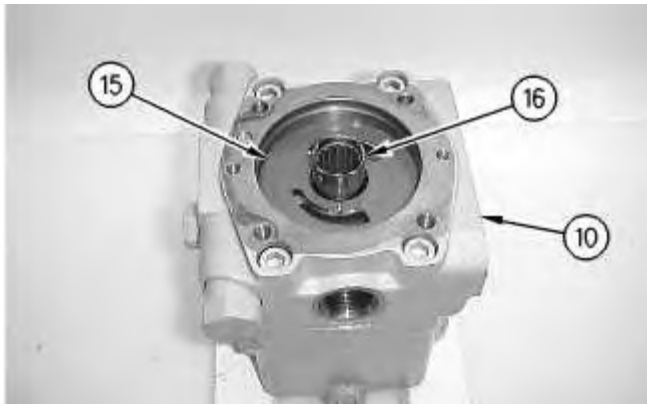


Illustration 9

g00992086

Note: Mark the orientation of plate (15) for assembly purposes.

8. Remove plate (15) and shaft (16) from head assembly (10) .



Illustration 10

g00992104

9. Remove retaining ring (17) from shaft (16) .



Illustration 11

g00992077

10. Remove retaining ring (18) and woodruff key (19) from shaft (16) .

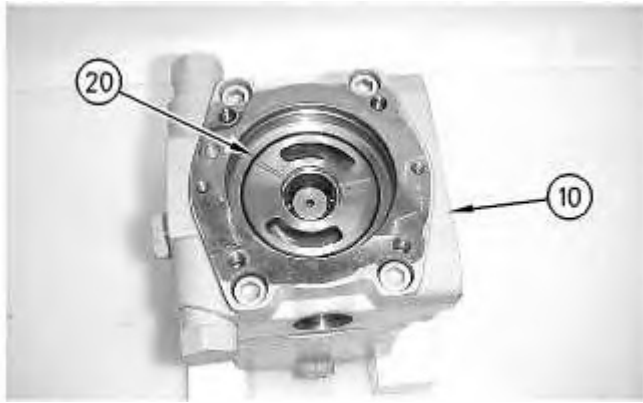


Illustration 12

g00992087

11. Remove seal (20) from head assembly (10) .

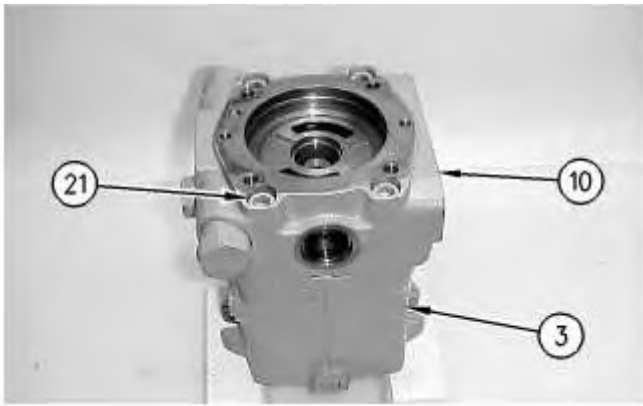


Illustration 13

g00992105

12. Remove bolts (21). Remove head assembly (10) from housing (3) .



Note: Mark the orientation of port plate (22) for assembly purposes.

13. Remove port plate (22) from head assembly (10) .



Illustration 15

14. Remove O-ring seal (23) and pin (24) from head assembly (10) .

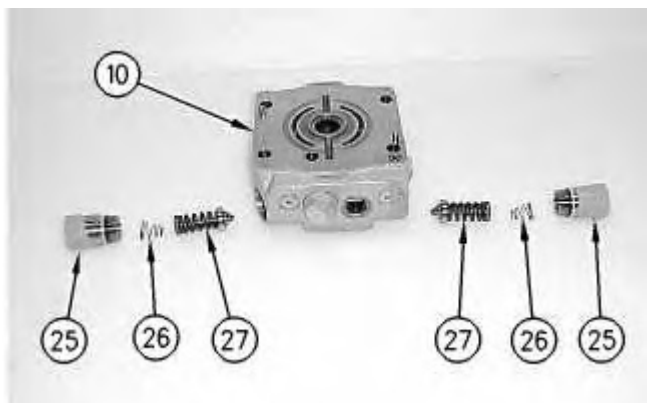


Illustration 16



Sudden release of spring force can cause injury.

To prevent the possibility of injury, follow the procedure to relieve the spring pressure.

15. Remove plugs (25), springs (26) and relief valves (27) from head assembly (10) .

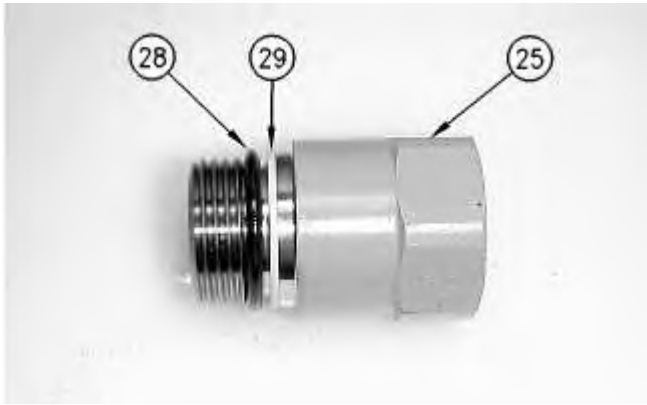


Illustration 17

g00992069

16. Remove O-ring seal (28) and backup ring (29) from plugs (25) .

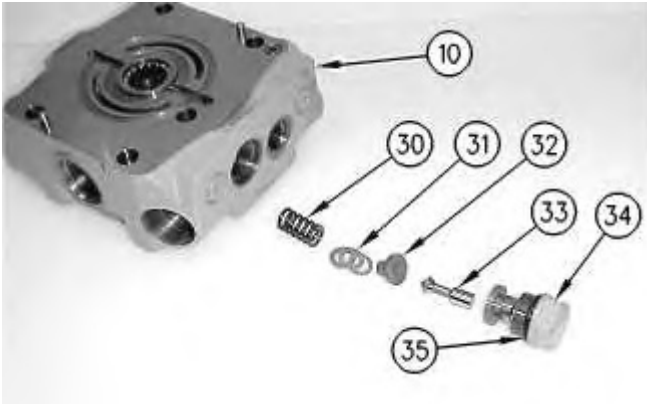


Illustration 18

g00992083

17. Remove screw (34), poppet valve (33), spring retainer (32), shims (31), and spring (30) from head assembly (10) .
 18. Remove O-ring seal (35) from screw (34) .
-

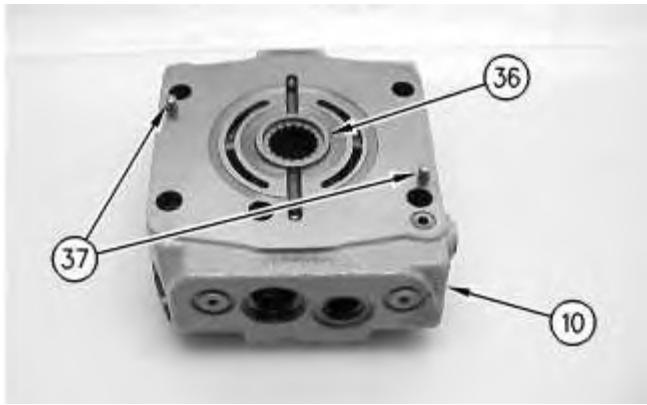


Illustration 19

g00992093

19. Remove bearing (36) from head assembly (10) .
20. Remove pins (37) from head assembly (10) .

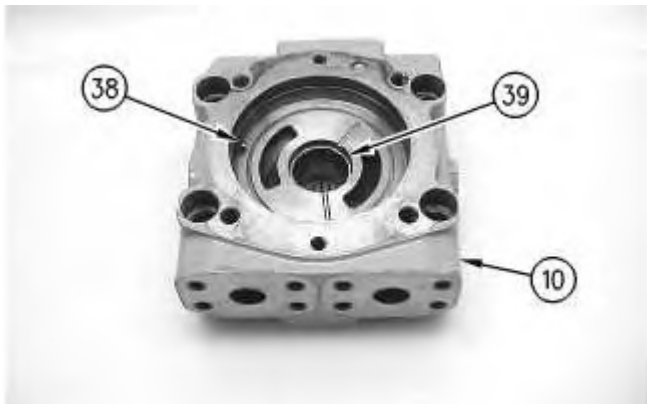


Illustration 20

g00992106

21. Remove dowel (38) and bushing (39) from head assembly (10) .

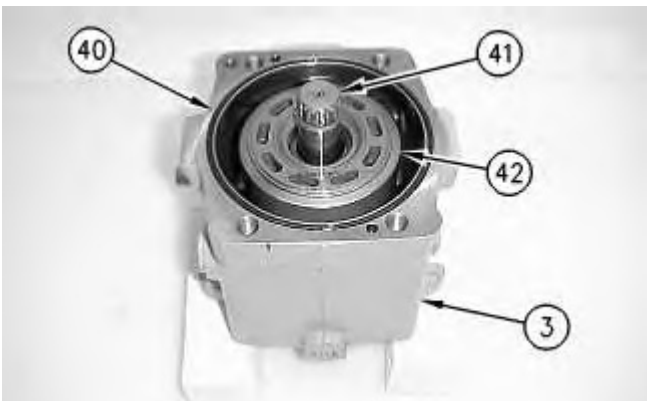


Illustration 21

g00992081

22. Remove O-ring seal (40) from housing (3) .
23. Remove barrel assembly (42) from shaft (41) and housing (3) .

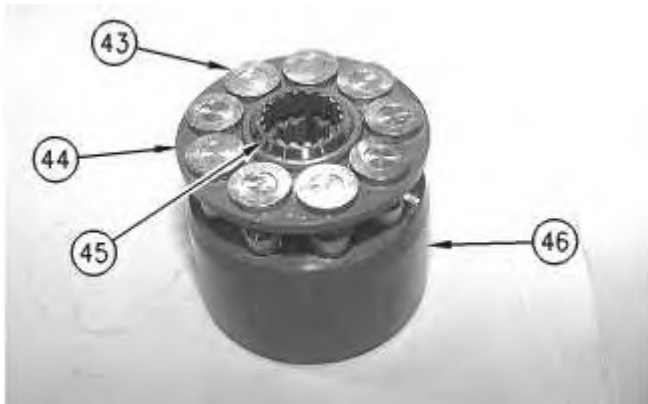


Illustration 22

g00992079

24. Use the following procedure and disassemble barrel assembly (42) .

Note: Mark the orientation of pistons (43) and barrel (46) for assembly purposes.

- a. Remove pistons (43) and retainer plate (44) from barrel (46) .
- b. Remove rotating ball (45) from barrel (46) .

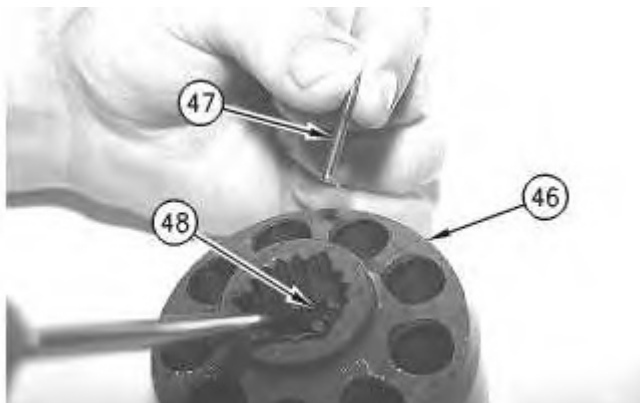


Illustration 23

g00992107

- c. Use a screwdriver in order to push on spacer (48). Compress the spring and remove three pins (47) from the grooves in barrel (46) .
-

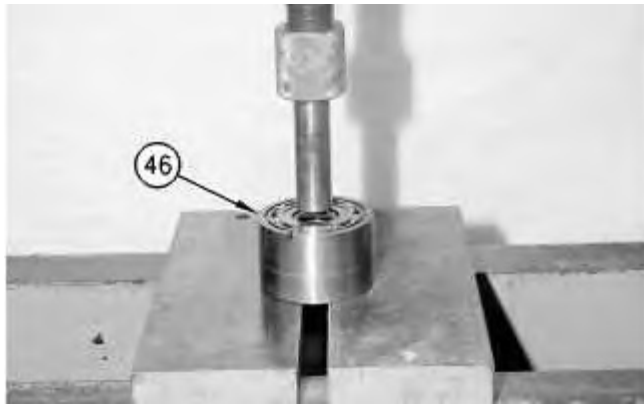


Illustration 24

g00992076

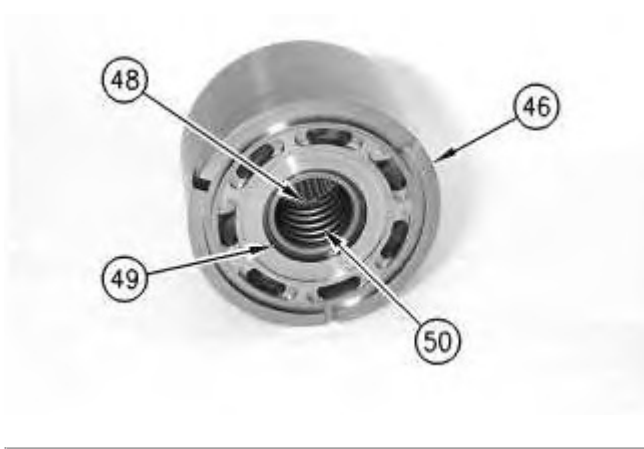


Illustration 25

g00992101

WARNING

Sudden release of spring force can cause injury.

To prevent the possibility of injury, follow the procedure to relieve the spring pressure.

-
- d. Position barrel (46) in a press. Install a suitable piece of square steel stock against spring (50). Use the press and apply slight compression on spring (50). Remove retaining ring (49) and slowly release the spring compression.
 - e. Remove spring (50) and spacer (48) from barrel (46) .
-

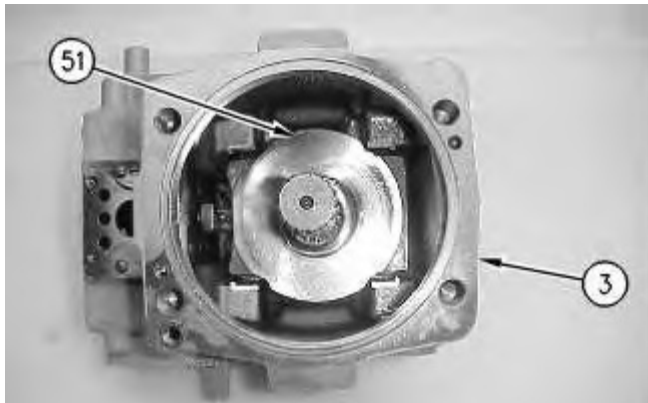


Illustration 26

g00992067

25. Remove body assembly (51) from housing (3) .

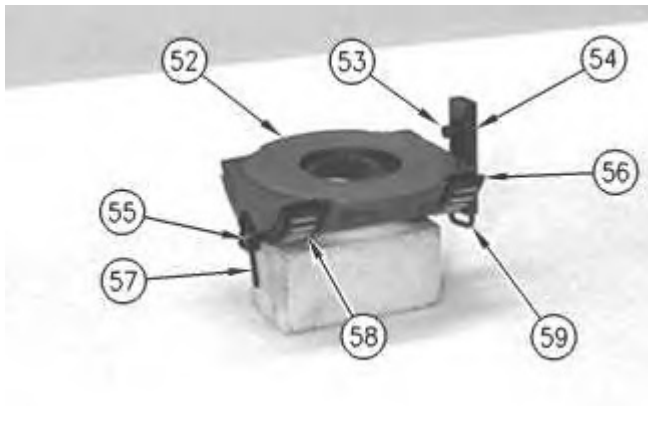


Illustration 27

g00992064

26. Use the following procedure and disassemble body assembly (51) .
 - a. Remove wire (57) and cage (58) from body (52) .
 - b. Remove pin (53), roller (54), cage (56) and wire (59) from body (52) .
 - c. Remove roller (55) from both of the cages.

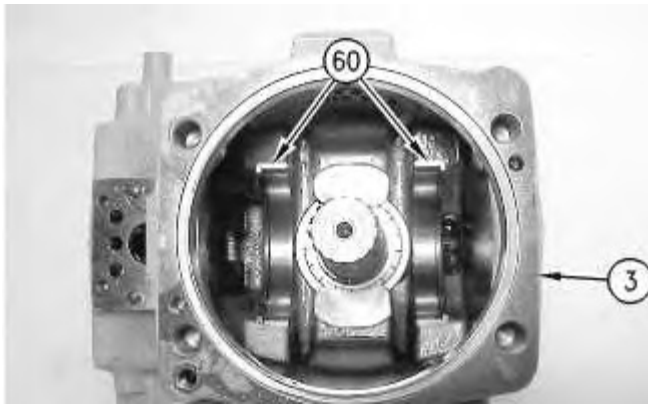


Illustration 28

g00992068

27. Remove bearings (60) from housing (3) .

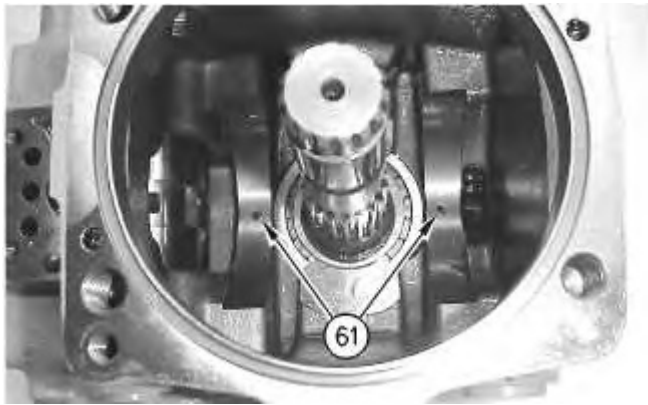


Illustration 29

g00992110

28. Remove pins (61), if necessary.

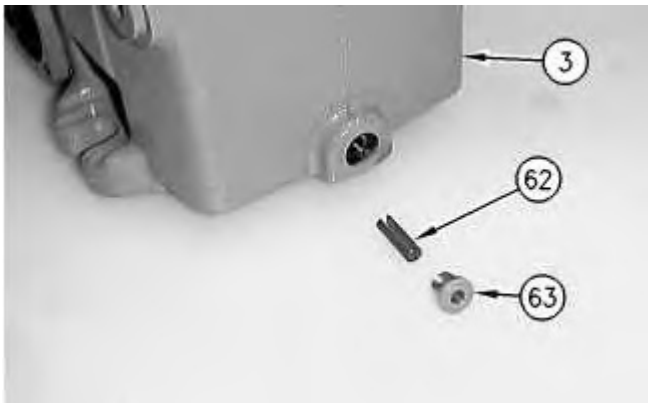


Illustration 30

g00992078

29. Remove plug (63) and pin (62) from housing (3) .

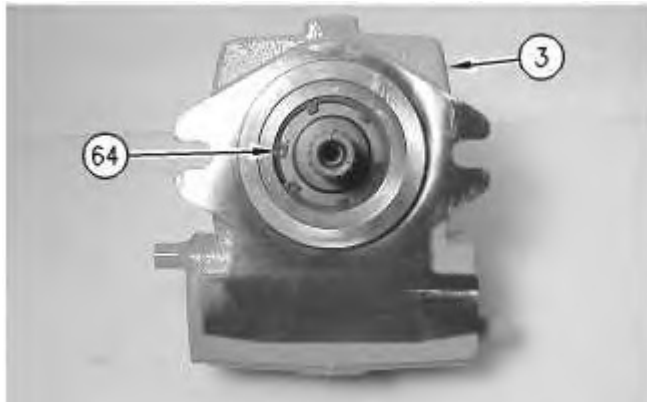


Illustration 31

g00992095

30. Remove retaining ring (64) from housing (3) .

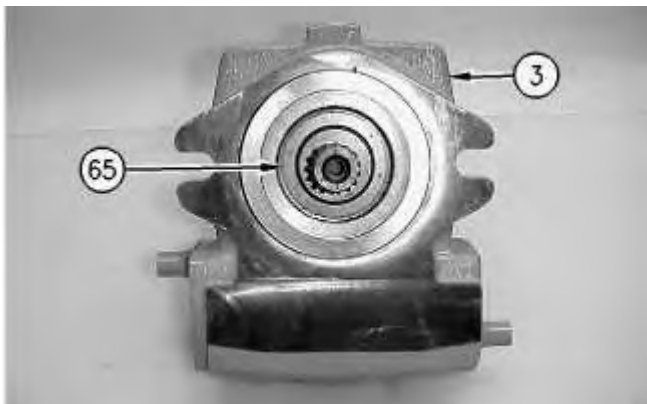
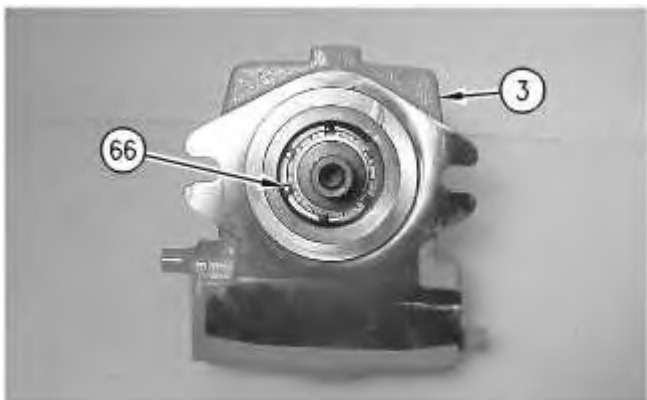


Illustration 32

g00992073

31. Remove seal (65) from housing (3) .



32. Remove retaining ring (66) from housing (3) .

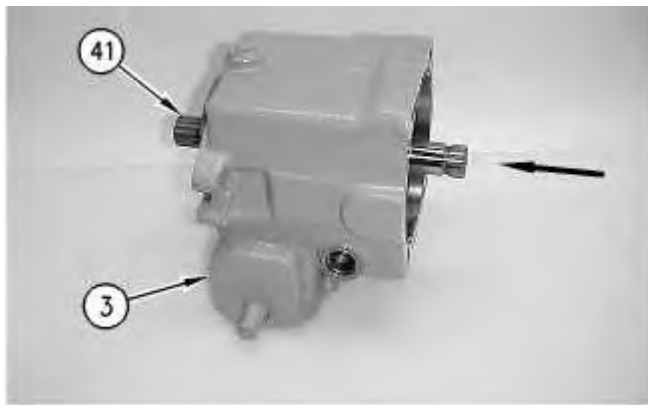


Illustration 34

33. Remove shaft (41) from housing (3) .

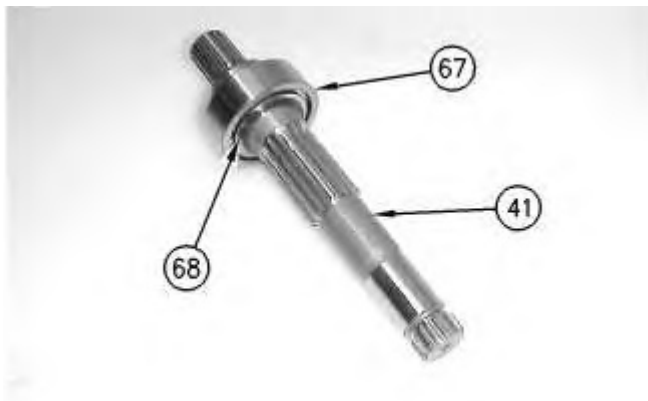


Illustration 35

34. Remove retaining ring (68) and bearing (67) from shaft (41) .
-

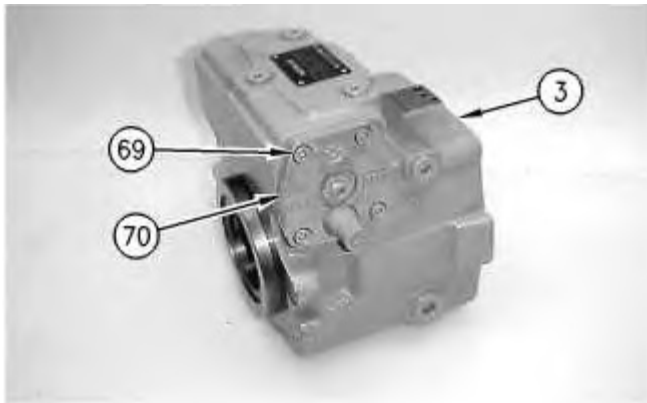


Illustration 36

g00992071

35. Remove bolts (69). Remove cover (70) and the piston assembly from housing (3) .

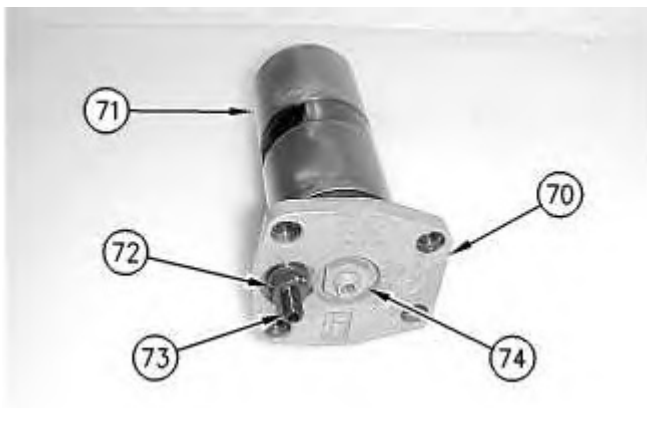


Illustration 37

g00992102

Note: Measure the distance and record the distance from the end of limiting screw (73) to nut (72) for assembly purposes.

36. Loosen nut (72). Remove limiting screw (73) from cover (70) .

Note: Measure the distance and record the distance from the end of piston assembly (71) to nut (74) for assembly purposes.

37. Remove nut (74). Remove piston assembly (71) from cover (70) .



Illustration 38

g00992074

38. Remove O-ring seal (75) from cover (70) .

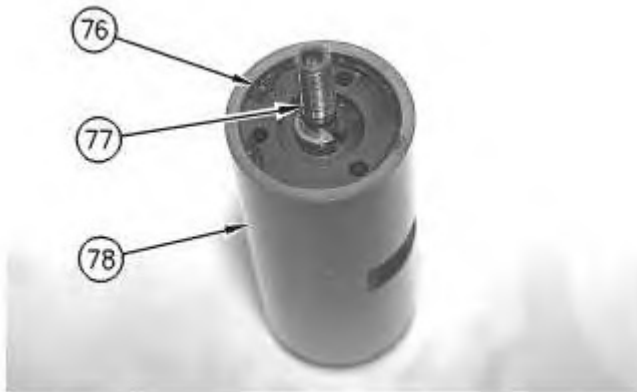


Illustration 39

g00992100

39. Use the following procedure and disassemble piston assembly (71) .

a. Remove retaining ring (76). Remove rod (77) and the spring from piston (78) .

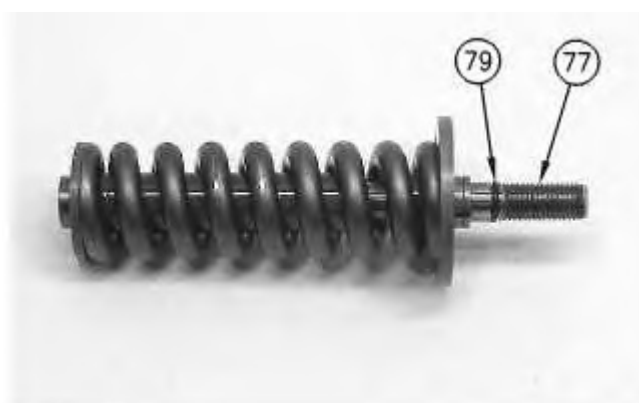


Illustration 40

g00992091

- b. Remove O-ring seal (79) from rod (77) .

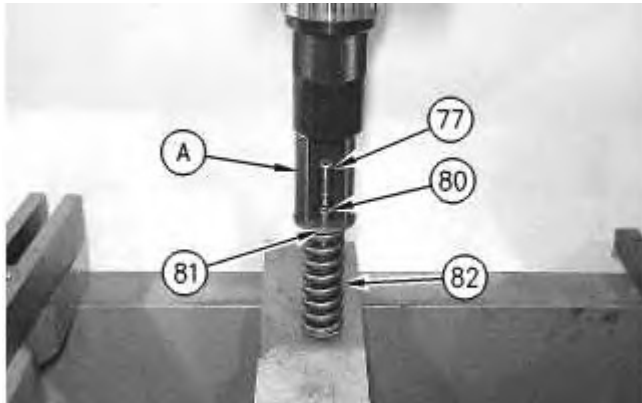


Illustration 41

g00992070

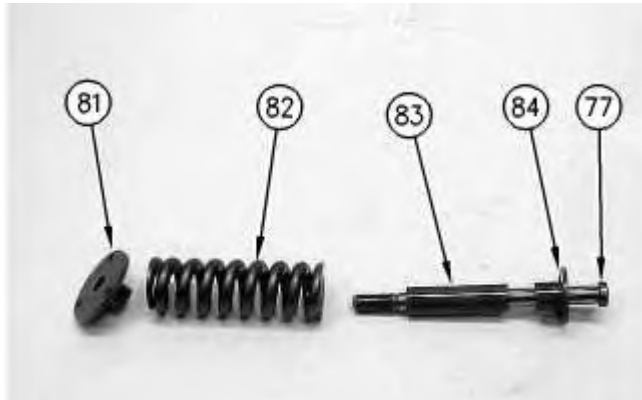


Illustration 42

g00992088

 **WARNING**

Sudden release of spring force can cause injury.

To prevent the possibility of injury, follow the procedure to relieve the spring pressure.

-
- c. Position Tooling (A), rod (83), and spring (82) in a press, as shown. Put slight tension on spring collar (81). Remove spring retainers (80) and slowly release the spring tension.
- d. Remove spring collar (81), spring (82), spacer (83), and spring collar (84) from rod (77) .

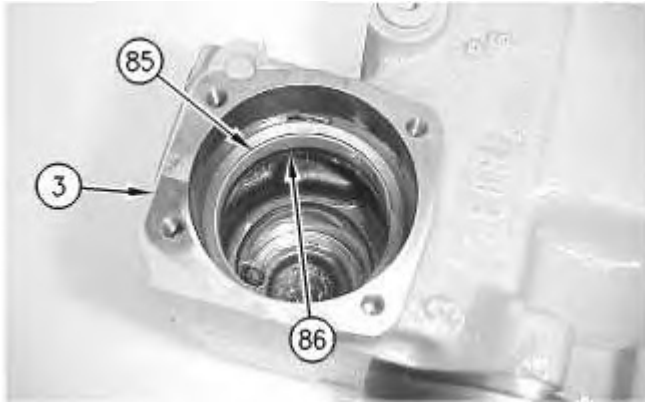


Illustration 43

g00992089

40. Remove two guide rings (85) and two seal rings (86) from housing (3) .

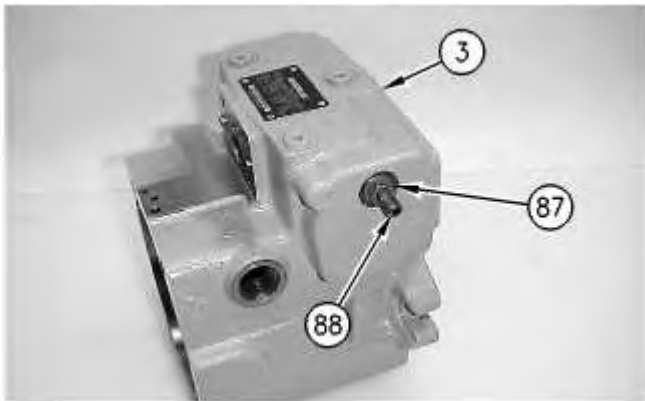


Illustration 44

g00992072

Note: Measure the distance and record the distance from the end of limiting screw (88) to nut (87) for assembly purposes.

41. Loosen nut (87). Remove limiting screw (88) from housing (3) .



42. Remove plugs (89) from housing (3) .

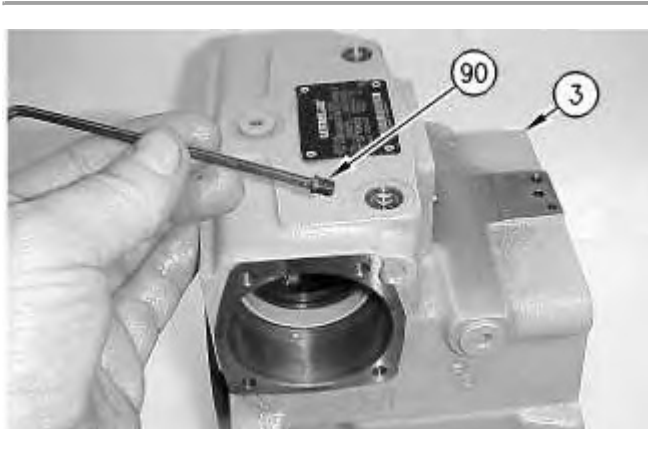


Illustration 46

43. Use an allen wrench and remove two orifices (90) from housing (3) .
-

Product: VIBRATORY COMPACTOR

Model: CP-563E VIBRATORY COMPACTOR BWE

Configuration: CS-563E CP-563E Vibratory Compactor BWE00001-UP (MACHINE) POWERED BY 3056E Engine

Disassembly and Assembly CP-563E, CP-573E, CS-563E, CS-573E and CS-583E Paving Compactors Machine Systems

Media Number -KENR3604-04

Publication Date -01/09/2008

Date Updated -22/09/2008

i01848540

Piston Pump (Vibratory) - Assemble - Fixed Frequency Pump

SMCS - 5070-016; 5652-016

Assembly Procedure

Table 1

| Required Tools | | | |
|----------------|-------------|-------------------|-----|
| Tool | Part Number | Part Description | Qty |
| A | 147-3497 | Spring Compressor | 1 |
| B | 9U-5719 | Shrink Tubing | 1 |

Note: Cleanliness is an important factor. Before assembly, all parts should be thoroughly cleaned in cleaning fluid. Allow the parts to air dry. Wiping cloths or rags should not be used to dry parts. Lint may be deposited on the parts which may cause later trouble. Inspect all parts. If any parts are worn or damaged, use new parts for replacement.



Illustration 1

g00975383

1. Install two nozzles (96) in housing (3) .

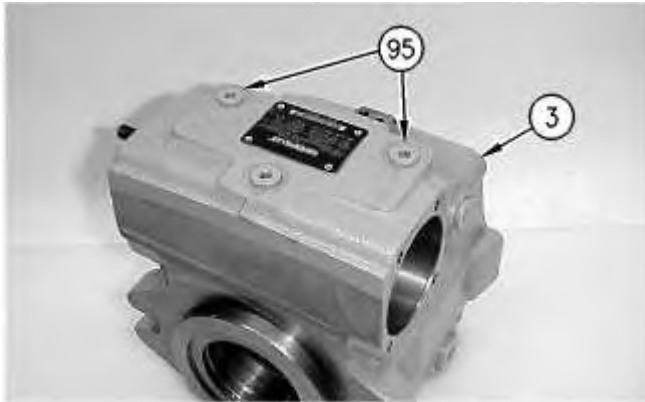


Illustration 2

g00975382

2. Install plugs (95) in housing (3) .

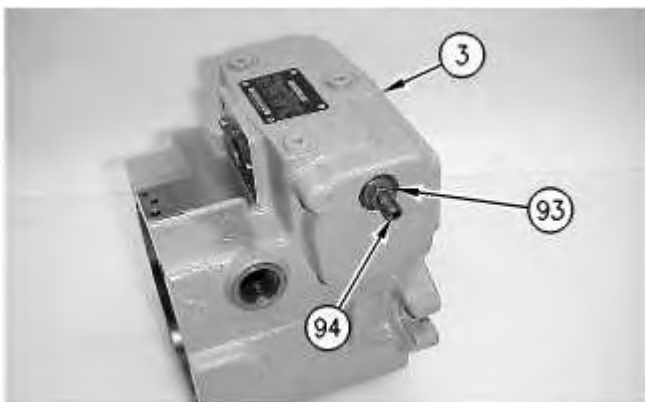


Illustration 3

g00975371

Note: Limiting screw (94) must be installed to the original depth. Refer to Disassembly and Assembly, "Piston Pump (Vibratory) - Disassemble".

3. Install limiting screw (94) in housing (3). Tighten nut (93) .
-

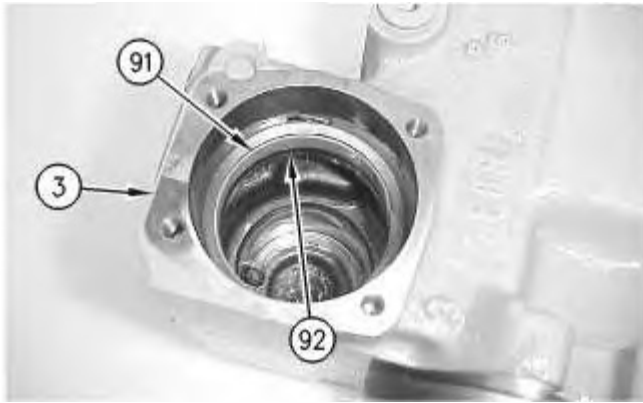


Illustration 4

g00975369

4. Install two seal rings (92) and two guide rings (91) in housing (3) .

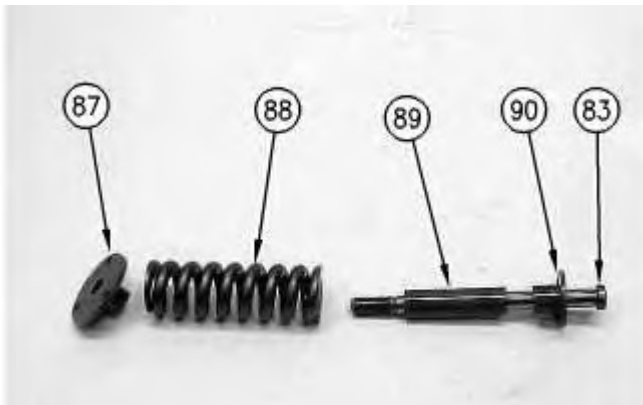


Illustration 5

g00975345

WARNING

Sudden release of spring force can cause injury.

To prevent the possibility of injury, follow the procedure to relieve the spring pressure.

5. Use the following procedure and assemble piston assembly (77) .
 - a. Install spring collar (90), spacer (89), spring (88), and spring collar (87) on rod (83) .

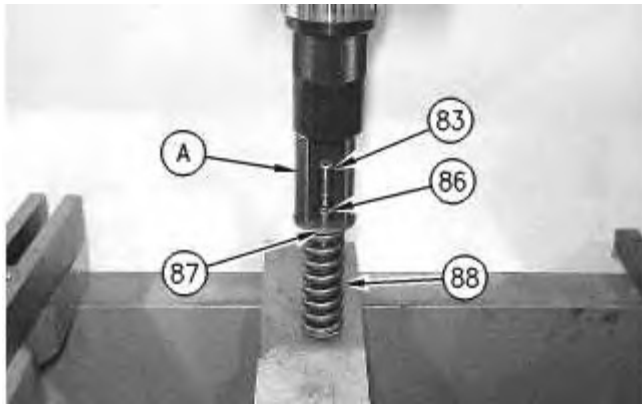


Illustration 6

g00975344

- b. Position rod (83) and spring (88) in a press, as shown. Use Tooling (A) and put slight tension on spring collar (87). Install spring retainers (86) and slowly release the spring tension.

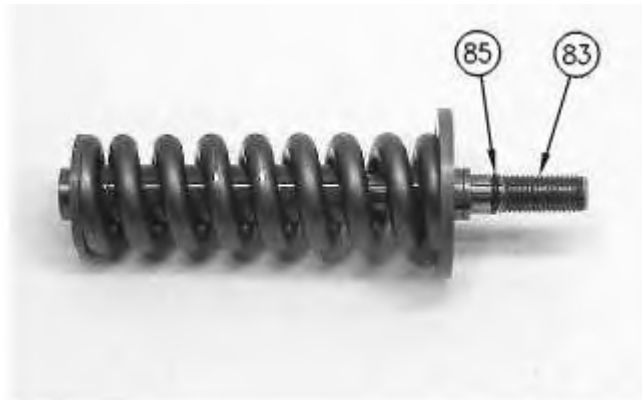


Illustration 7

g00975343

- c. Install O-ring seal (85) on rod (83) .



Illustration 8

g00975342

d. Install rod (83) and the spring in piston (84). Install retaining ring (82) .

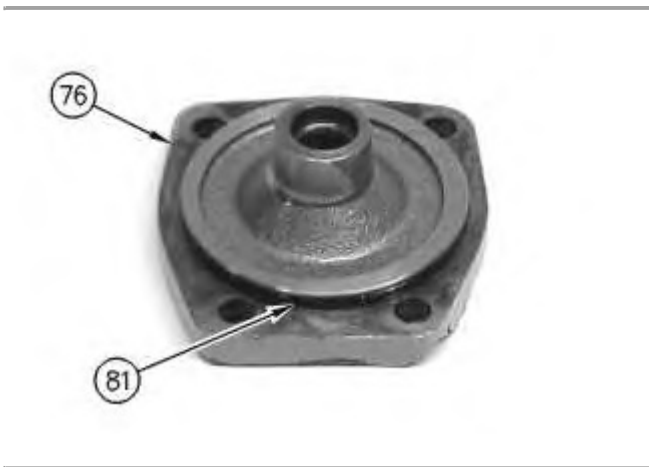


Illustration 9

g00975340

6. Install O-ring seal (81) on cover (76) .

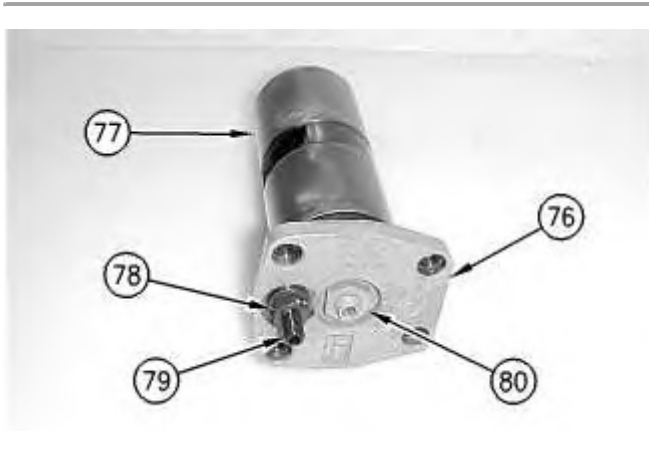


Illustration 10

g00975324

Note: Piston assembly (77) must be installed to the original depth. Refer to Disassembly and Assembly, "Piston Pump (Vibratory) - Disassemble".

7. Install piston assembly (77) in cover (76). Install nut (80) .

Note: Limiting screw (79) must be installed to the original depth. Refer to Disassembly and Assembly, "Piston Pump (Vibratory) - Disassemble".

8. Install limiting screw (79) in cover (76). Tighten nut (78) .

Thank you so much for reading.
Please click the “Buy Now!”
button below to download the
complete manual.



After you pay.

You can download the most
perfect and complete manual in
the world immediately.

Our support email:

ebooklibonline@outlook.com