

Product: VIBRATORY COMPACTOR

Model: CS-54B VIBRATORY COMPACTOR 482

Configuration: CS54B, CP54B Vibratory Compactor 48200001-UP (MACHINE) POWERED BY C4.4 Engine

Disassembly and Assembly C4.4 Engines for Caterpillar Built Machines

Media Number -UENR4516-11

Publication Date -01/06/2015

Date Updated -29/10/2018

i05820289

Gear Group (Front) - Remove and Install - Heavy Duty Gear Group (Front)

SMCS - 1206-010

Removal Procedure

Table 1

Required Tools			
Tool	Part Number	Part Description	Qty
A	9U-7336	Housing	1
	5P-7305	Engine Turning Tool	1
B	230-6284	Timing Pin (Camshaft)	1
C	364-9107	Timing Pin (Fuel Injection Pump)	1
D	136-4632	Timing Pin (Crankshaft)	1
	268-1966	Adapter	1
E	298-5564	T40 Torx Socket	1

Start By:

- Remove the front cover. Refer to Disassembly and Assembly, "Front Cover - Remove and Install" for the correct procedure.
- Remove the valve mechanism cover. Refer to Disassembly and Assembly, "Valve Mechanism Cover - Remove and Install" for the correct procedure.

NOTICE

Keep all parts clean from contaminants.

Contaminants may cause rapid wear and shortened component life.

NOTICE

Care must be taken to ensure that fluids are contained during performance of inspection, maintenance, testing, adjusting and repair of the product. Be prepared to collect the fluid with suitable containers before opening any compartment or disassembling any component containing fluids.

Dispose of all fluids according to local regulations and mandates.

Note: Care must be taken in order to ensure that the fuel injection pump timing is not lost during the removal of the front gear group. Carefully follow the procedure in order to remove the gear group.

1. If the air compressor is equipped with a hydraulic pump, remove the hydraulic pump. Refer to Original Equipment Manufactures (OEM) for the correct procedure.
2. If the engine is equipped with an air compressor, remove the air compressor. Refer to Disassembly and Assembly, "Air Compressor - Remove" for the correct procedure.
3. If the engine is equipped with only a hydraulic pump, remove the hydraulic pump. Refer to OEM for the correct procedure.
4. Use Tooling (A) in order to rotate the crankshaft so that number one piston is at top dead center on the compression stroke. Refer to System Operation, Testing and Adjusting, "Finding Top Center Position for No.1 Piston" for the correct procedure.

Note: Do not use excessive force to install Tooling (D). Do not use Tooling (D) to hold the crankshaft during repairs.

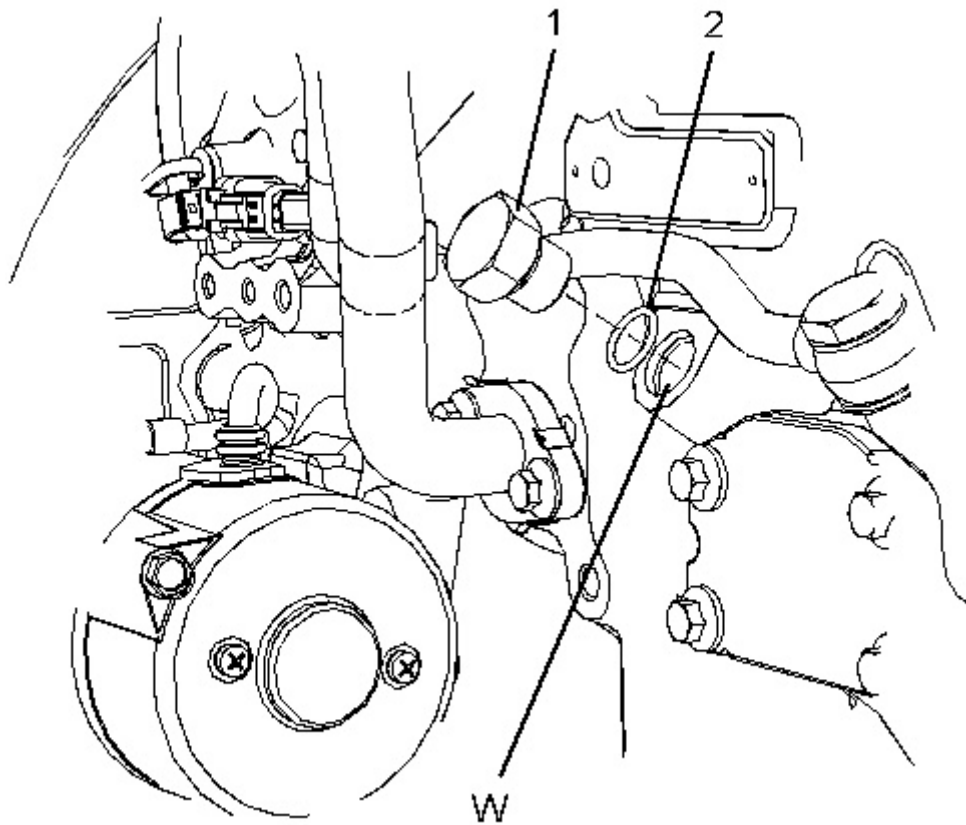


Illustration 1

g02486477

5. Remove plug (1) from the cylinder block. Remove O-ring seal (2) from the plug.
 6. Use Tooling (A) in order to rotate the crankshaft so that number one piston is at top dead center on the compression stroke. Refer to System Operation, Testing and Adjusting, "Finding Top Center Position for No.1 Piston" for the correct procedure. Install Tooling (D) through Hole (W) in order to lock the crankshaft so that number one piston is at top dead center on the compression stroke.
 7. Remove Tooling (D).
 8. Use Tooling (A) in order to rotate the crankshaft in a clockwise direction and position the crankshaft at the safe position. Refer to System Operation, Testing and Adjusting, "Position the Valve Mechanism Before Maintenance Procedures" for the correct procedure.
-

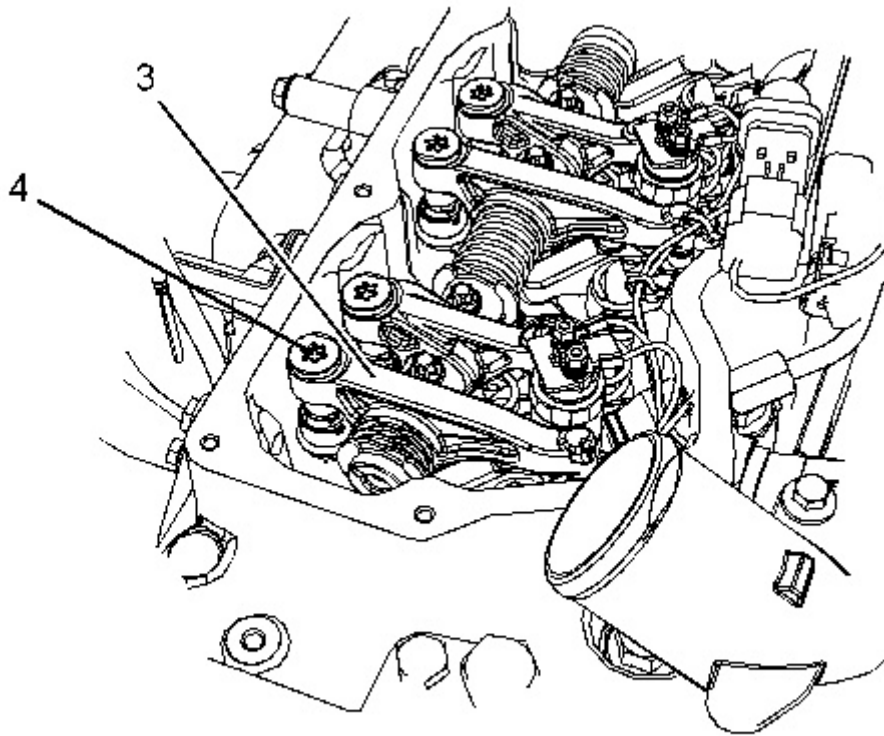


Illustration 2

g03706901

9. Use Tooling (E) in order to loosen threaded inserts (4) on all rocker arms (3). Unscrew threaded inserts (4) on all rocker arms (3) until all valves are fully closed.

Note: Ensure that ALL threaded inserts are fully unscrewed.

10. Use Tooling (A) in order to rotate the crankshaft so that number one piston is at top dead center on the compression stroke. Refer to System Operation, Testing and Adjusting, "Finding Top Center Position for No.1 Piston" for the correct procedure. Install Tooling (D) through Hole (W) in order to lock the crankshaft so that number one piston is at top dead center on the compression stroke. Refer to Illustration 17.
-

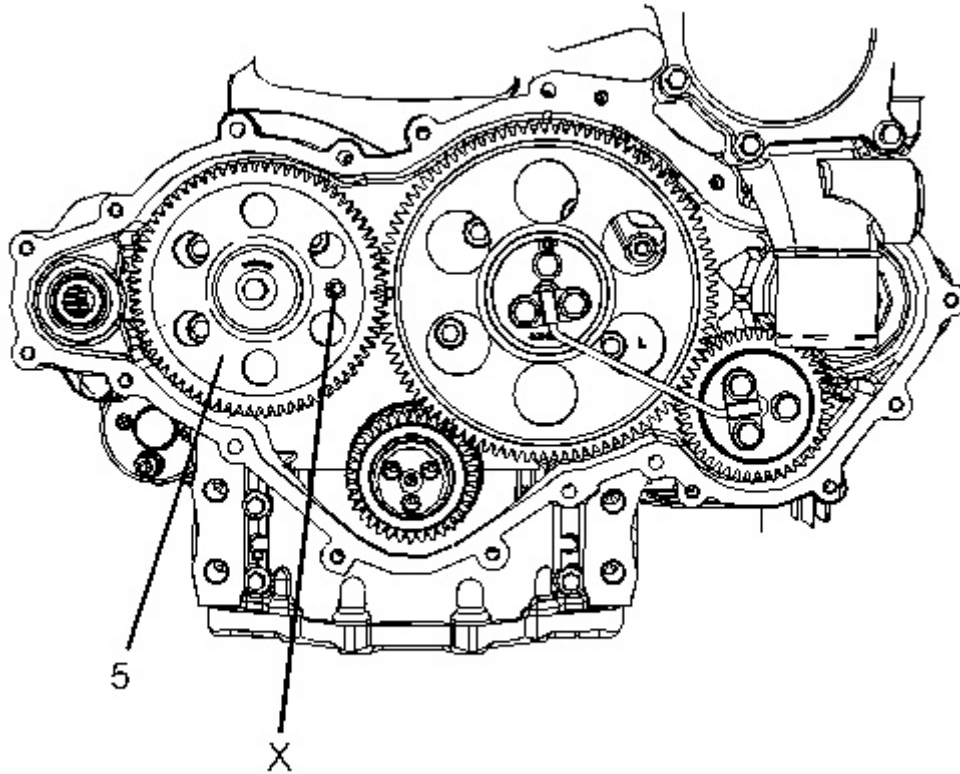


Illustration 3

g03706903

11. Install Tooling (B) through Hole (X) in camshaft gear (5) into the front housing. Use Tooling (B) in order to lock the camshaft in the correct position. Refer to System Operation, Testing and Adjusting, "Finding Top Center Position for No.1 Piston" for the correct procedure.
 12. Use Tooling (C) in order to lock the fuel injection pump gear in the correct position. Refer to Disassembly and Assembly, "Fuel Injection Pump - Remove" for the correct procedure.
-

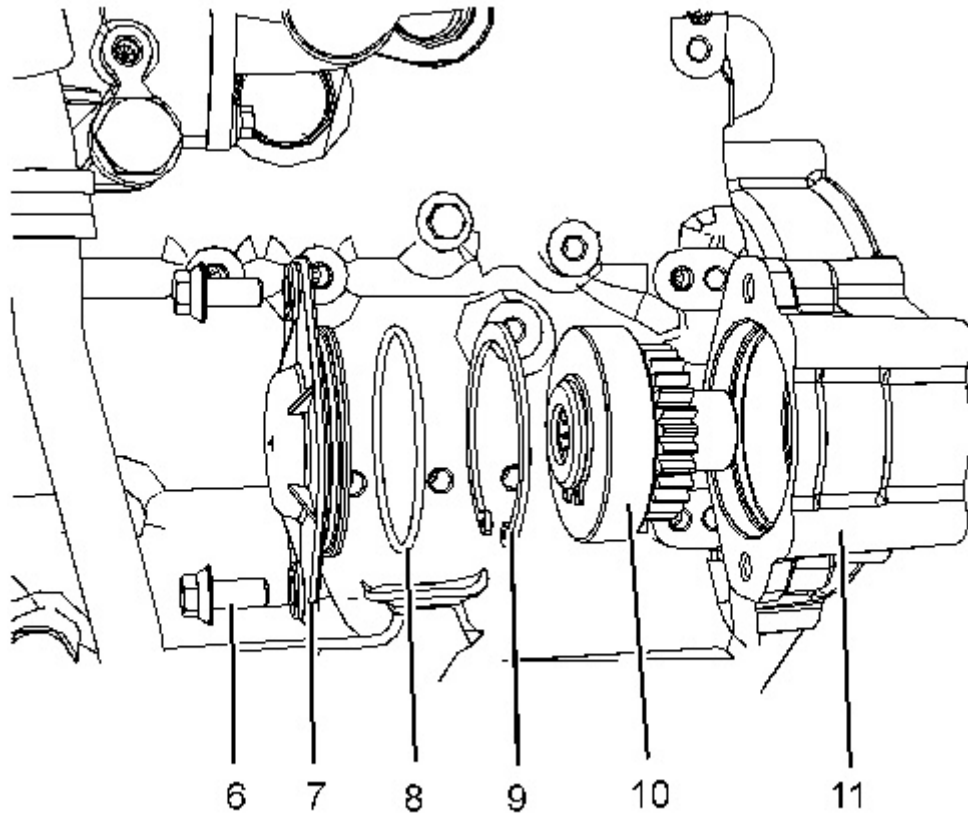


Illustration 4

g03706905

13. If the right-hand side of the engine is equipped with a hydraulic pump, remove the hydraulic pump. Refer to OEM for the correct procedure.
 14. If necessary, remove bolts (6) from plate (7). Remove plate (7) and remove O-ring seal (8).
 15. Remove circlip (9) and remove gear assembly (10) from front housing (11).
-

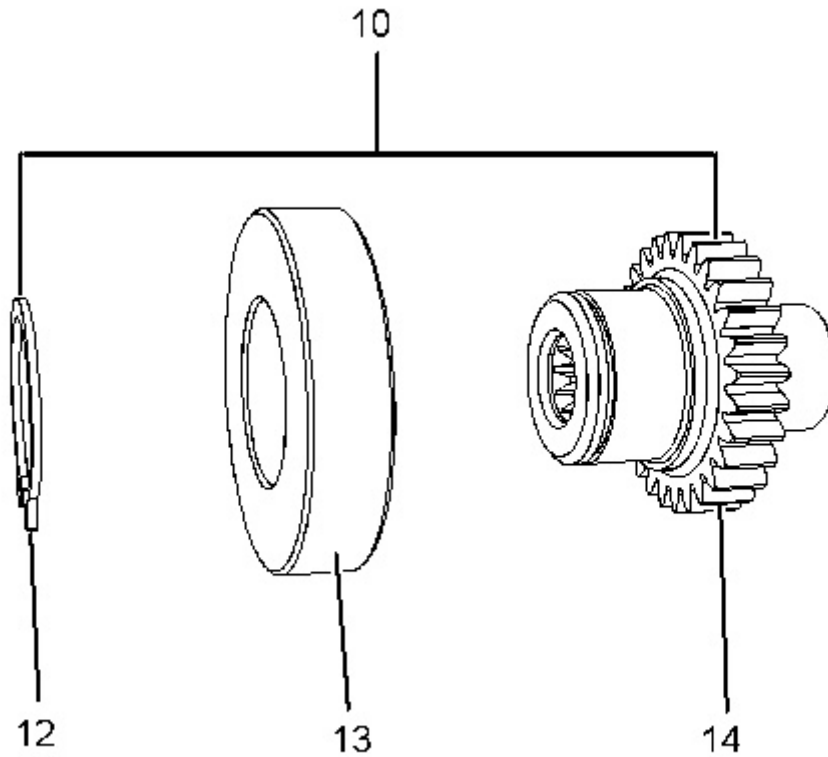


Illustration 5

g03706906

16. If necessary, follow Step 16.a through Step 16.b in order to disassemble gear assembly (10).
 - a. Remove circlip (12) from gear assembly (10).
 - b. Place gear assembly (10) on a suitable support. Press bearing (13) from gear (14).
-

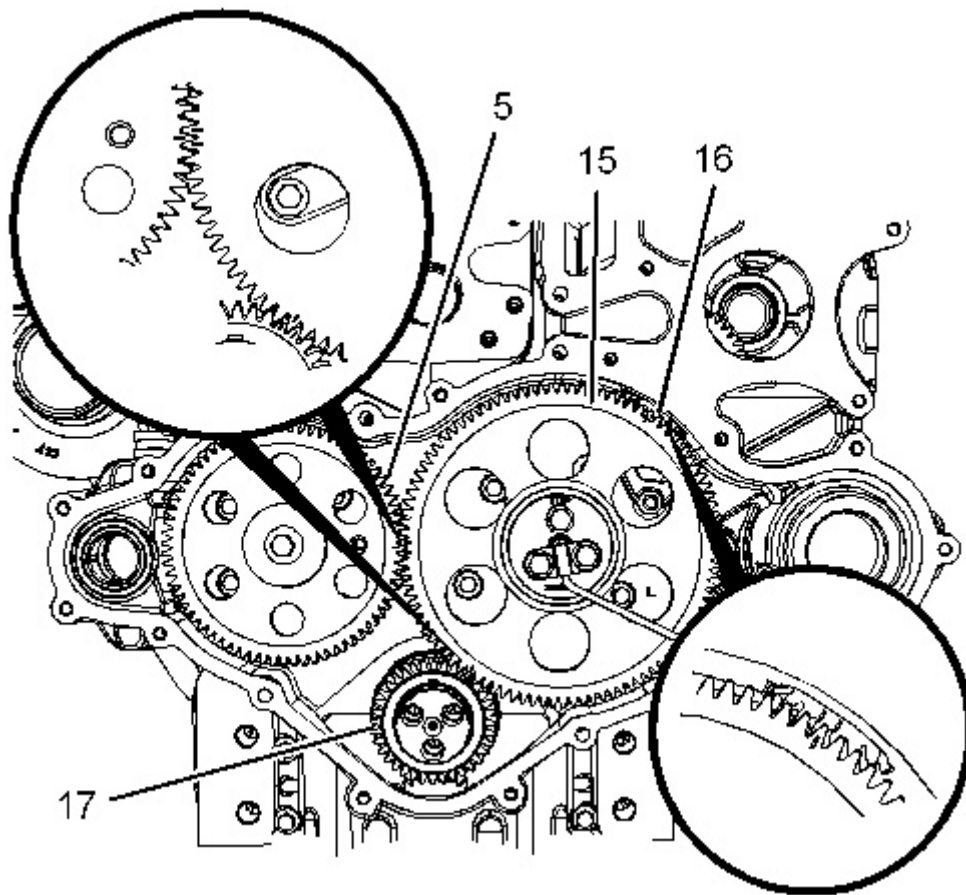


Illustration 6

g03706907

17. Mark gear (5), gear (15), gear (16) and gear (17) in order to show alignment. Refer to Illustration 6.

Note: Identification will ensure that the gears can be installed in the original alignment.

18. Remove camshaft gear (6). Refer to Disassembly and Assembly, "Camshaft Gear - Remove and Install" for the correct procedure.
-

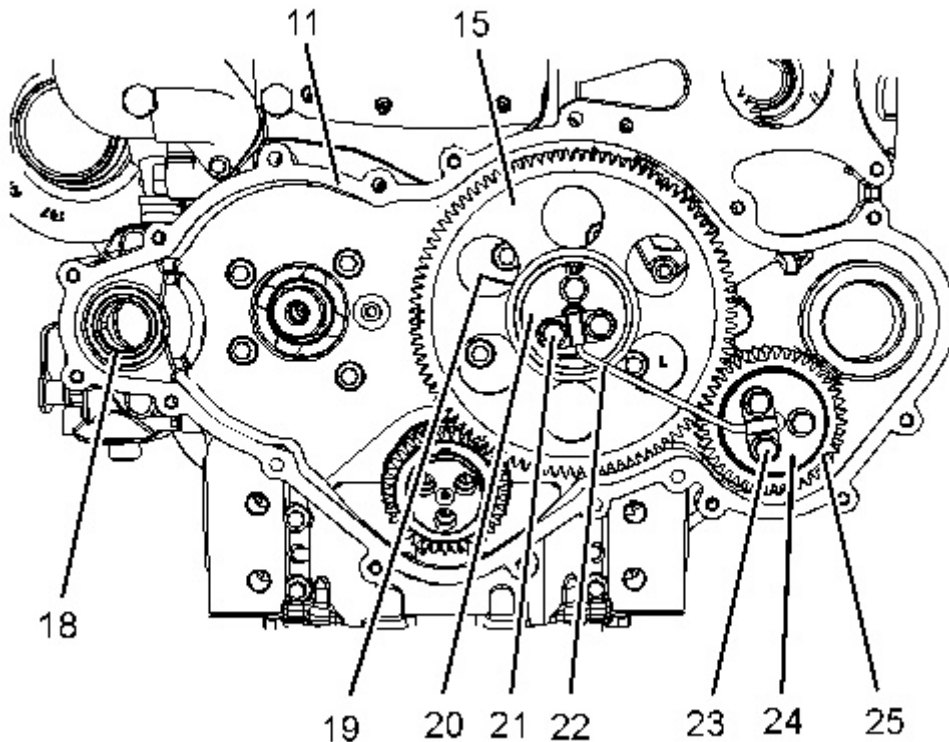


Illustration 7

g03706909

19. Remove bolts (21) and bolts (23).
20. Remove tube assembly (22) from idler gear (15) and idler gear (25).
21. Remove plate (20).
22. Remove idler gear (15) from hub (19) (not shown).
23. Remove idler gear (25) and idler gear hub (24) from front housing (11).
24. Remove hub (19) (not shown) from front housing (11).
25. If necessary, remove bearing (18) from front housing (11). Refer to Disassembly and Assembly, "Housing (Front) - Remove" for the correct procedure.

Installation Procedure

Table 2

Required Tools			
Tool	Part Number	Part Description	Qty
A	9U-7336	Housing	1
	5P-7305	Engine Turning Tool	1

B	230-6284	Timing Pin (Camshaft)	1
C	364-9107	Timing Pin (Fuel Injection Pump)	1
D	136-4632	Timing Pin (Crankshaft)	1
	268-1966	Adapter	1
E	298-5564	T40 Torx Socket	1
F	207-1601	Rubber Lubricant	1
G	7M-7456	Bearing Mount Compound	1
H	9U-7324	Indicator Bracket	1
	7H-1942	Dial Indicator	1
	3S-3268	Indicator Contact Point	1
	7H-1940	Universal Attachment	1

NOTICE

Keep all parts clean from contaminants.

Contaminants may cause rapid wear and shortened component life.

Note: The fuel injection pump must remain locked until the procedure instructs you to unlock the fuel injection pump.

1. Ensure that number one piston is at top dead center on the compression stroke. Refer to System Operation, Testing and Adjusting, "Finding Top Center Position for No.1 Piston" for the correct procedure.
-

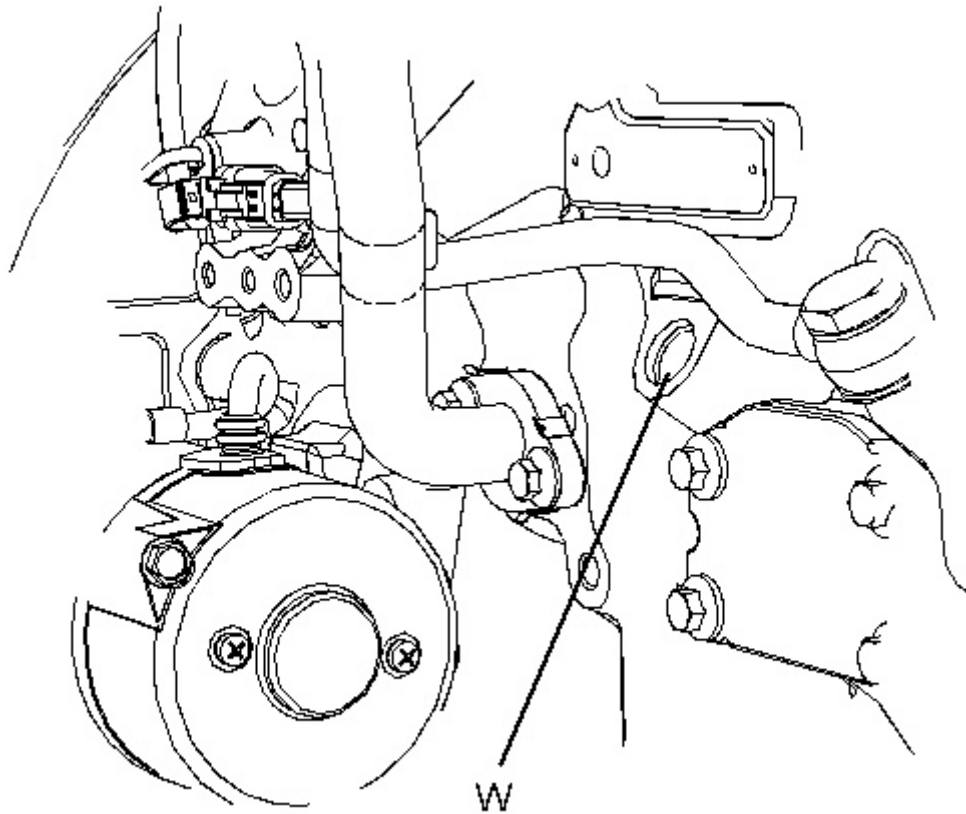


Illustration 8

g02488176

2. If necessary, install Tooling (D) into Hole (W) in the cylinder block. Use Tooling (D) in order to lock the crankshaft in the correct position. Refer to System Operation, Testing and Adjusting, "Finding Top Center Position for No.1 Piston" for the correct procedure.

Note: Do not use excessive force to install Tooling (D). Do not use Tooling (D) to hold the crankshaft during repairs.

3. Ensure that all of the components of the front gear group are clean and free from wear and damage. If necessary, replace any components that are worn or damaged.
-

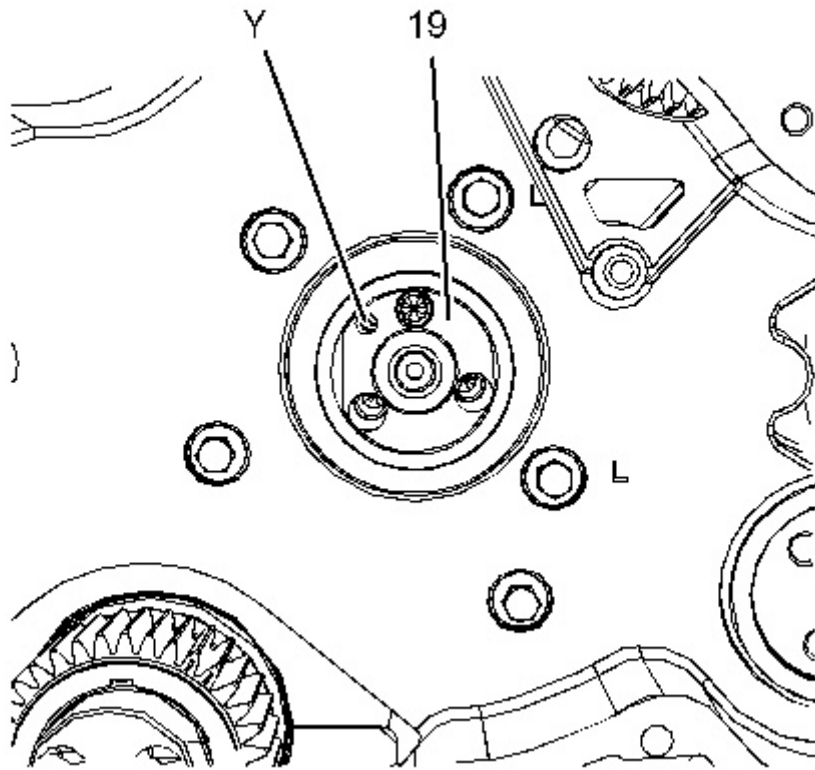


Illustration 9

g03706911

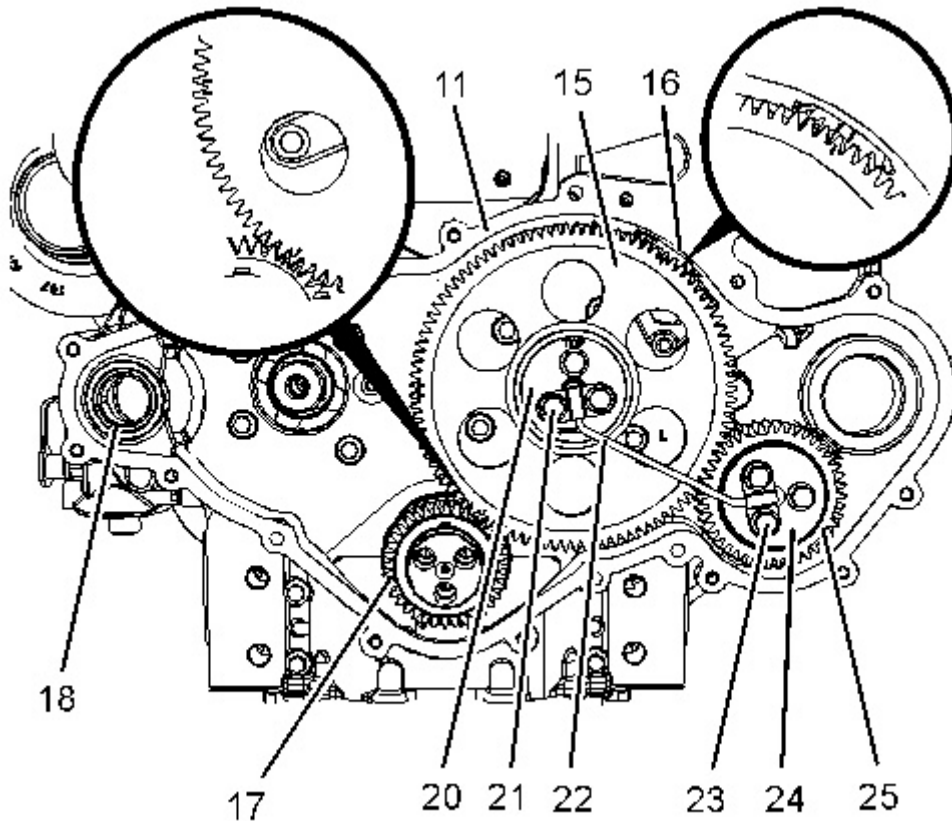


Illustration 10

g03706914

4. If necessary, Install bearing (18) to front housing (11). Refer to Disassembly and Assembly, "Housing (Front) - Install" for the correct procedure.
5. Install hub (19) to the recess of front housing (11). Ensure that the oil Hole (Y) is to the top of the hub.
6. Ensure that the fuel injection pump is locked in the correct position. Refer to Disassembly and Assembly, "Fuel Injection Pump - Install" for the correct procedure.
7. Lubricate idler hub (19) with clean engine lubricating oil. Install idler gear (15) to the idler hub. Ensure that the timing marks are toward the front of the idler gear. Align timing marks on idler gear (15) with gear (17) and gear (16).
8. Lubricate idler gear hub (24) with clean engine lubricating oil and install idler gear (25) to the idler gear hub. Install the assembly for idler gear (25) to front housing (11).

Note: Ensure that the idler gear hub and the idler gear are correctly aligned.
9. Position plate (20) onto idler gear (15).

Note: Ensure that the identification mark TOP is upward.
10. Position tube assembly (22) onto idler gear (15) and idler gear (24). Install bolts (21) and bolts (23).

Note: Ensure that the tube is correctly positioned on the hubs of the idler gears.

11. Tighten bolts (21) and bolts (23) to a torque of 44 N·m (32 lb ft).

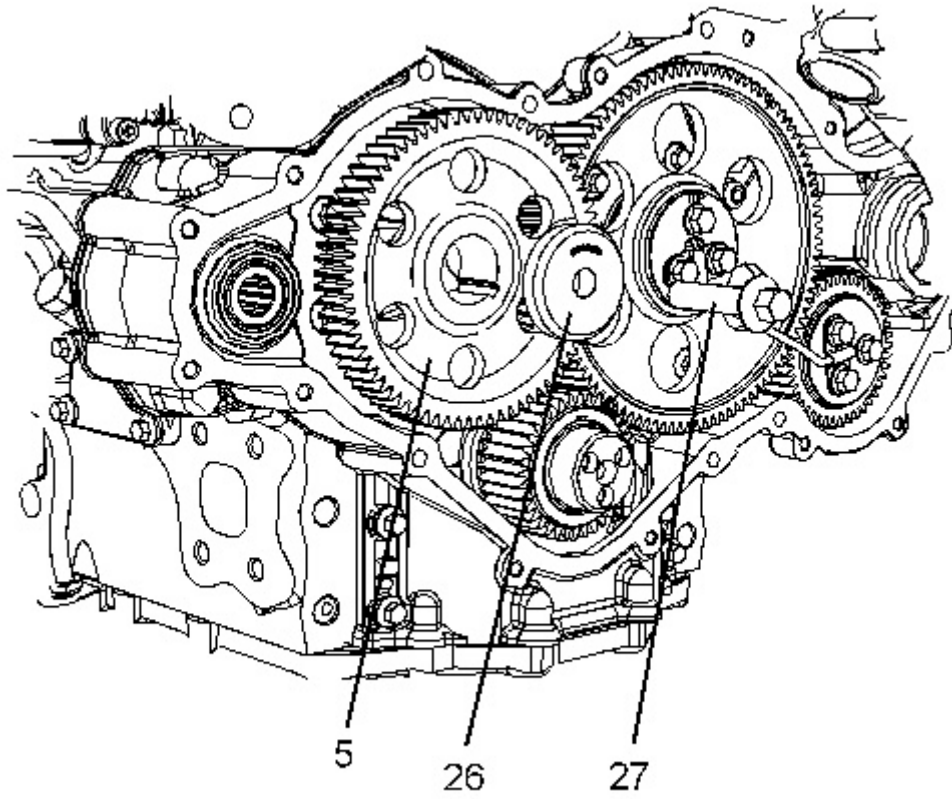


Illustration 11

g03706915

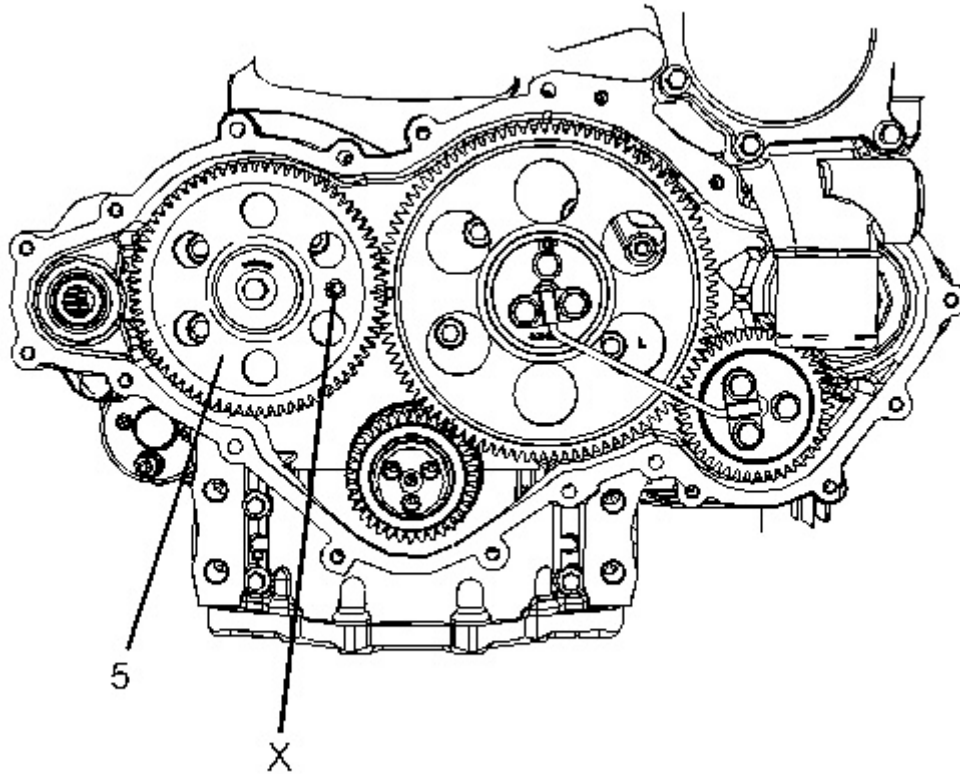


Illustration 12

g03706903

12. Install camshaft gear (5). Ensure that the camshaft gear and the idler gear timing marks are correctly aligned.
 13. Install Tooling (B) through Hole (X) in camshaft gear (6) into the front housing.
 14. Loosely install bolt (27) and washer (26) for the camshaft gear. Refer to Disassembly and Assembly, "Camshaft Gear - Remove and Install" for the correct procedure.
-

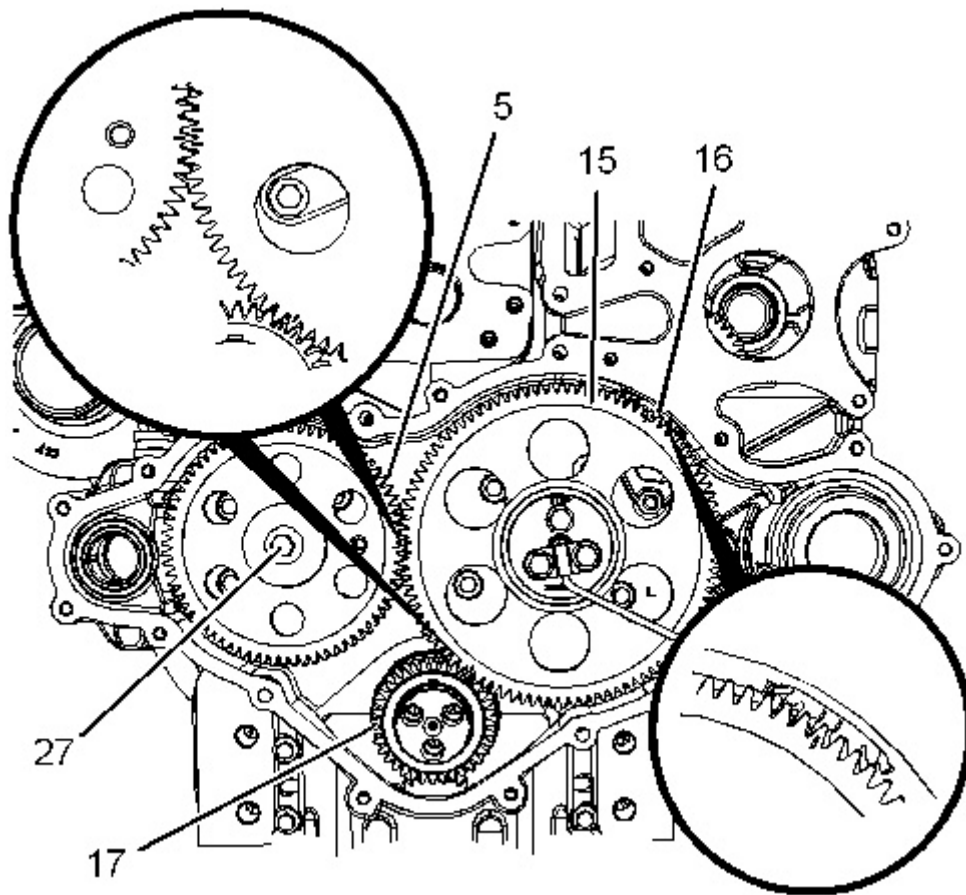


Illustration 13

g03706922

15. Ensure that the timing marks on gear (5), gear (15), gear (16) and gear (17) are in alignment and that the mesh of the gears is correct.
16. Remove Tooling (B), Tooling (C), and Tooling (D).
17. When bolt (27) is a 8.8 Grade. Tighten bolt (27) for camshaft gear (5) to a torque of 95 N·m (70 lb ft).
When bolt (27) is a 10.9 Grade. Tighten bolt (27) to a torque of 120 N·m (89 lb ft).
18. Use Tool (H) in order to check the end play of the camshaft gear. Refer to Specifications, "Camshaft" for more information.
19. Use Tool (H) in order to check the end play of the idler gears. Refer to Specifications, "Gear Group (Front)" and refer to Disassembly and Assembly, "Idler Gear - Remove and Install" for further information.
20. Use Tooling (H) in order to measure the backlash for gear (5), gear (15), gear (16) and gear (17). Refer to Specifications, "Gear Group (Front)" for further information.

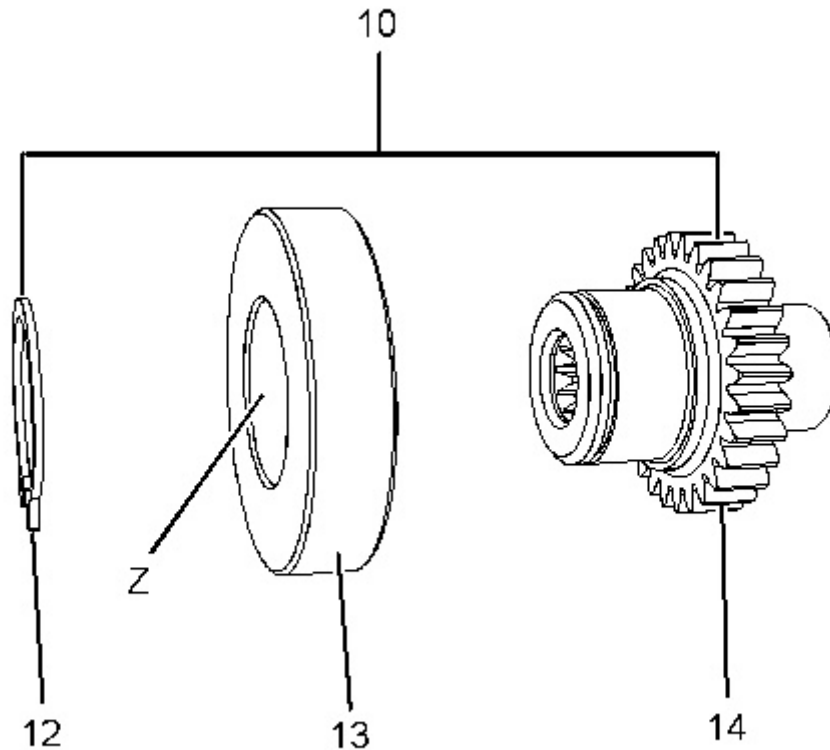


Illustration 14

g03706923

21. If necessary, follow Step 21.a through Step 21.c in order to assemble gear assembly (10).
 - a. Apply a small continuous bead of Tooling (G) to inner Surface (Z) of bearing (13). Place the inner race of bearing (13) onto a suitable support. Press the shaft of gear (14) into bearing (13) until the shoulder of the gear is against the bearing. Remove any excess bearing mount compound.
 - b. Install circlip (12) to gear assembly (10).
 - c. Lightly lubricate bearing (13) and gear assembly (10) with clean lubricating oil.
-

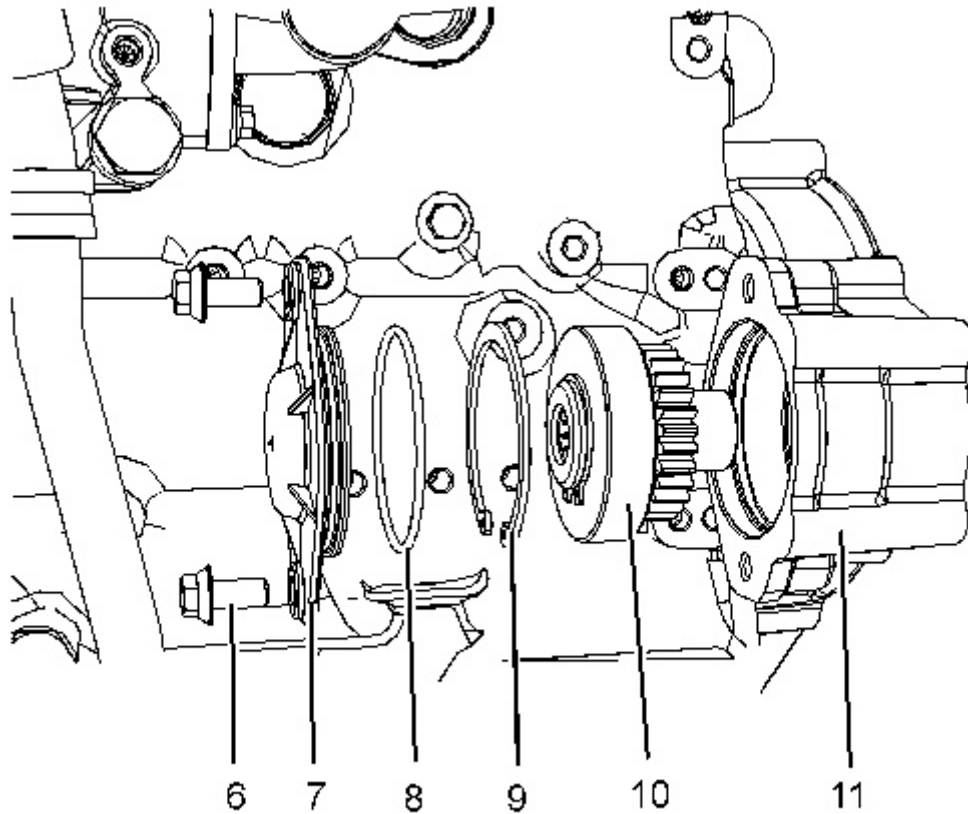


Illustration 15

g03706905

22. Install gear assembly (10) to front housing (11). Ensure that the shaft of gear assembly (10) is correctly aligned with the bearing in front housing (11).
23. Install circlip (9) to front housing (11).
Note: Ensure that the circlip is correctly located in the front housing.
24. Ensure that there is tactile backlash between the camshaft gear and the accessory drive gear.
25. If the right-hand side of the engine is equipped with a hydraulic pump, install the hydraulic pump. Refer to OEM for the correct procedure.
26. If necessary, lightly lubricate a new O-ring seal (8) with Tooling (F). Install new O-ring seal (8) to plate (7). Install plate (7) to front housing (11).
27. Install bolts (6) to plate (7). Tighten the bolts to a torque of 10 N·m (88 lb in).
28. Lubricate each gear with clean engine oil.

NOTICE

Failure to ensure that the crankshaft is positioned at the safe position will result in interference between the pistons and the valves.

Interference between the pistons and the valves will result in damage to the engine.

29. Use Tooling (A) in order to rotate the crankshaft in a clockwise direction and position the crankshaft at the safe position. Refer to System Operation, Testing and Adjusting, "Position the Valve Mechanism Before Maintenance Procedures" for the correct procedure.
-

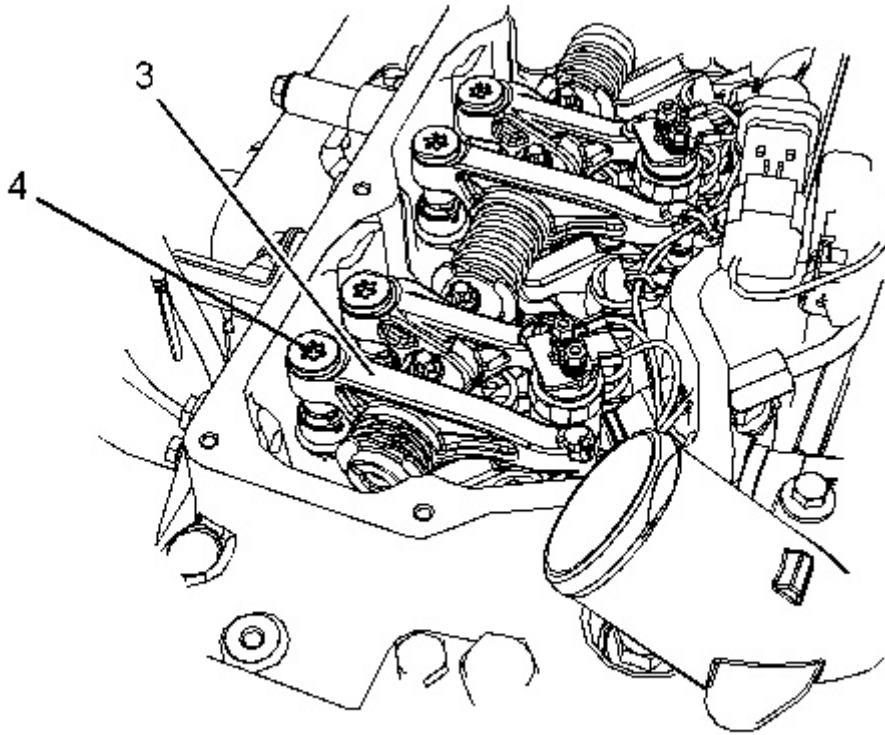


Illustration 16

g03706901

30. Use Tooling (E) in order to tighten threaded inserts (4) on all rocker arms (3). Tighten the threaded inserts to a torque of 30 N·m (265 lb in).

Note: When the threaded insert is tightened, the threaded insert must be correctly seated into the cup for the pushrod.

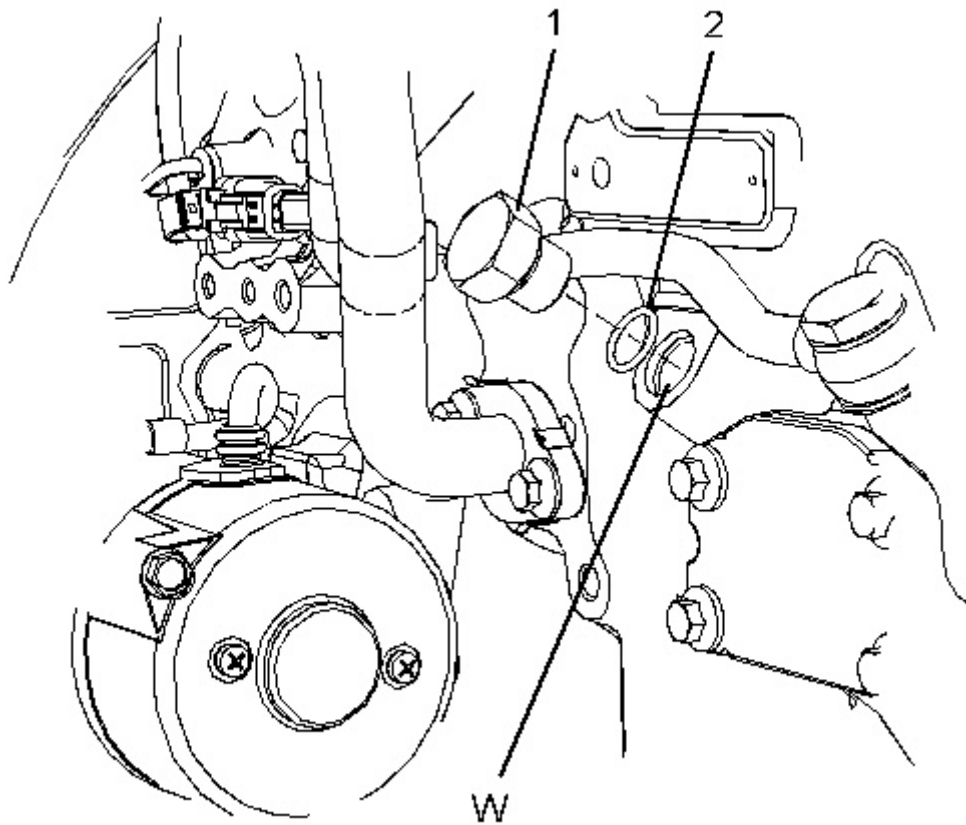


Illustration 17

g02486477

31. Install a new O-ring seal (1) to plug (2). Install the plug into Hole (W) in the cylinder block. Tighten plug (2) to a torque of 21 N·m (186 lb in).
32. If the engine is equipped with an air compressor, install the air compressor. Refer to Disassembly and Assembly, "Air Compressor - Install" for the correct procedure.
33. If the air compressor is equipped with a hydraulic pump, install the hydraulic pump. Refer to OEM for the correct procedure.
34. If the engine is equipped only with a hydraulic pump, install the hydraulic pump. Refer to OEM for the correct procedure.
35. The engine should not be operated for a period 45 minutes after the threaded inserts on all the rocker arms have been tightened. This period of time will allow the hydraulic lifters to purge off excessive engine oil from the hydraulic lifters.

End By:

- a. Install the front cover. Refer to Disassembly and Assembly, "Front Cover - Remove and Install" for the correct procedure.
- b. Install the valve mechanism cover. Refer to Disassembly and Assembly, "Valve Mechanism Cover - Remove and Install" for the correct procedure.

Product: VIBRATORY COMPACTOR

Model: CS-54B VIBRATORY COMPACTOR 482

Configuration: CS54B, CP54B Vibratory Compactor 48200001-UP (MACHINE) POWERED BY C4.4 Engine

Disassembly and Assembly C4.4 Engines for Caterpillar Built Machines

Media Number -UENR4516-11

Publication Date -01/06/2015

Date Updated -29/10/2018

i05820290

Idler Gear - Remove

SMCS - 1206-011

Removal Procedure

Table 1

Required Tools			
Tool	Part Number	Part Description	Qty
A	9U-7336	Housing	1
	5P-7306	Engine Turning Tool	1
B	364-9107	Timing Pin (Fuel Injection Pump)	1
C	230-6284	Timing Pin (Camshaft)	1
D	136-4632	Timing Pin (Crankshaft)	1
	268-1966	Adapter	1
E	298-5564	T40 Torx Socket	1

Start By:

- a. Remove the front cover. Refer to Disassembly and Assembly, "Front Cover - Remove and Install" for the correct procedure.
- b. Remove the valve mechanism cover. Refer to Disassembly and Assembly, "Valve Mechanism Cover - Remove and Install" for the correct procedure.

Note: Care must be taken in order to ensure that the fuel injection pump timing is not lost during the removal of the fuel pump gear. Carefully follow the procedure in order to remove the fuel pump gear.

NOTICE

Keep all parts clean from contaminants.

Contaminants may cause rapid wear and shortened component life.

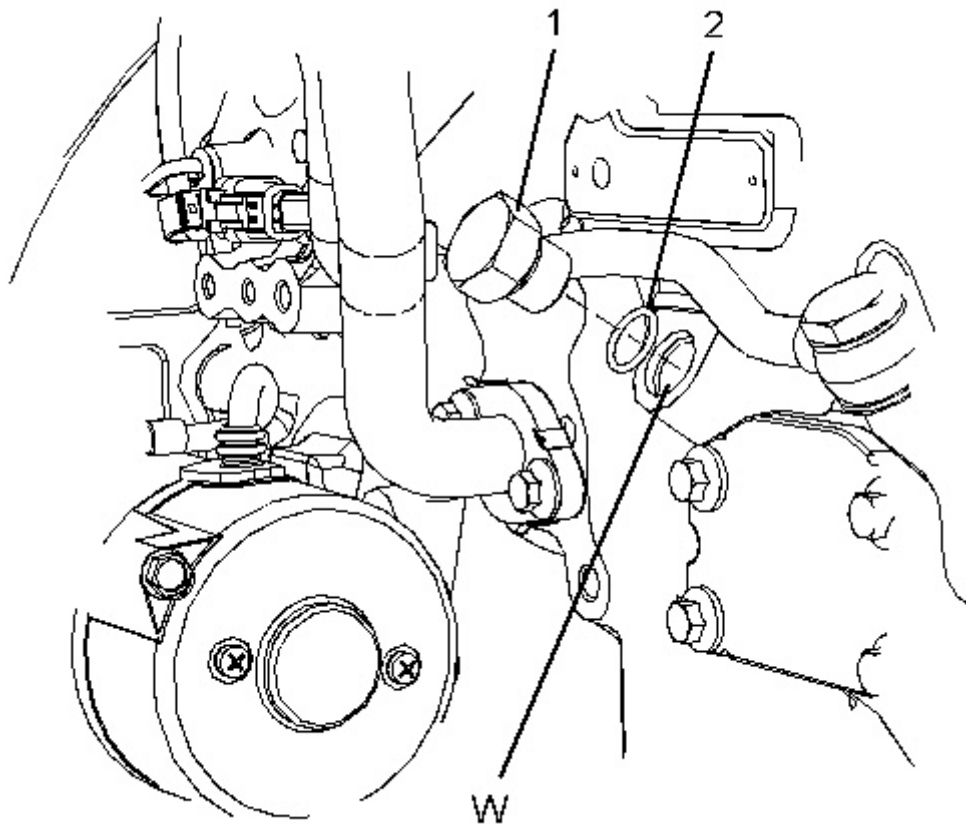


Illustration 1

g02485936

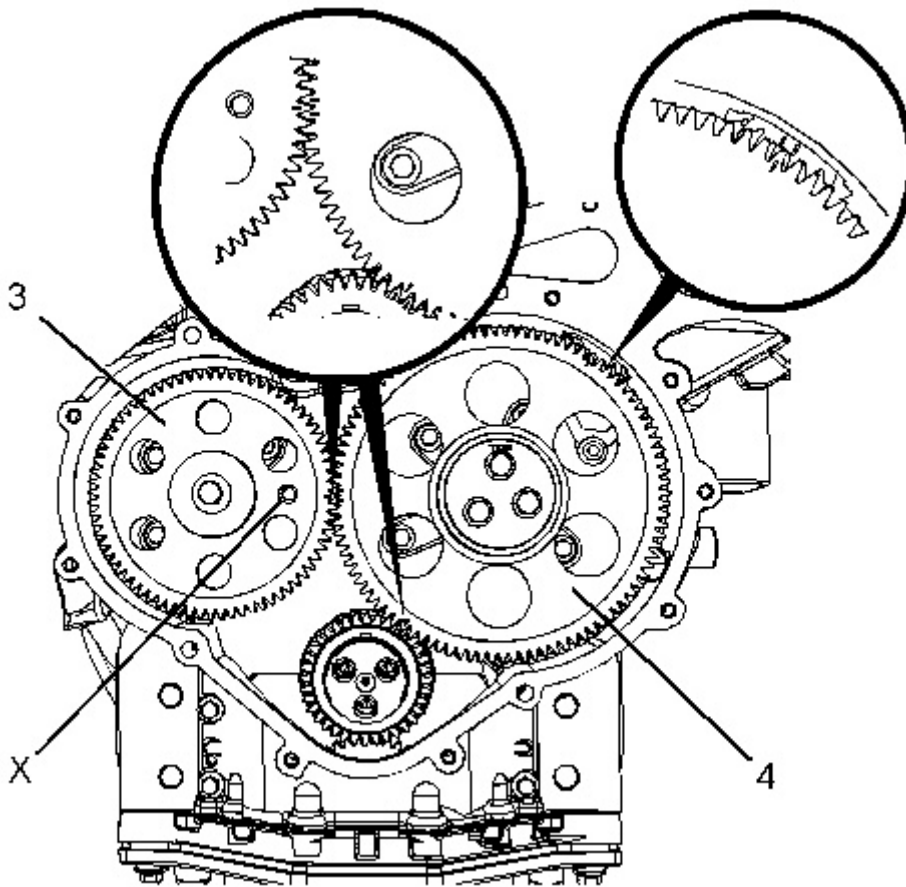


Illustration 2

g01994553

1. Remove plug (1) from the cylinder block and remove O-ring seal (2) from the plug.
2. Use Tooling (A) in order to rotate the crankshaft so that number one piston is at top dead center on the compression stroke. Refer to System Operation, Testing and Adjusting, "Finding Top Center Position for No.1 Piston" for the correct procedure.
3. Install Tooling (D) through Hole (W) in order to lock the crankshaft so that number one piston is at top dead center on the compression stroke.
4. Ensure that Tooling (C) is installed into Hole (X) in camshaft gear (3). Use Tooling (C) in order to lock the camshaft in the correct Position.

Note: Ensure that the gears are marked in order to show alignment. Refer to Illustration 2.

5. Use Tooling (B) in order to lock the fuel injection pump gear in the correct position. Refer to Disassembly and Assembly, "Fuel Injection Pump - Remove" for the correct procedure.

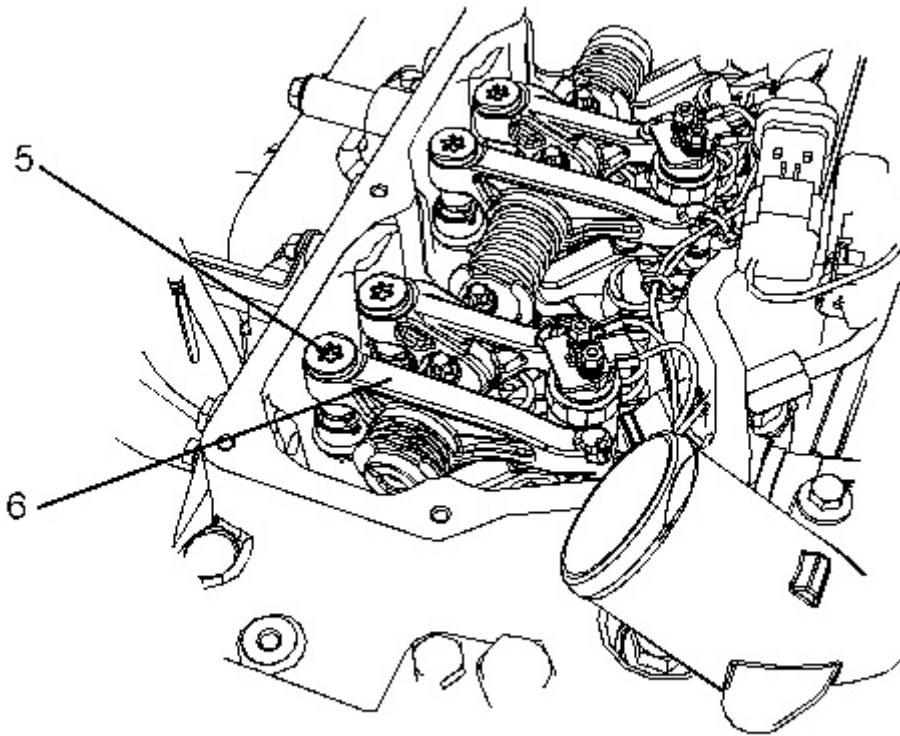


Illustration 3

g01994556

6. Use Tooling (E) in order to loosen threaded inserts (5) on all rocker arms (6). Unscrew threaded inserts (5) on all rocker arms (6) until all valves are fully closed.

Note: Failure to ensure that ALL threaded inserts are fully unscrewed can result in contact between the valves and pistons.

Thank you so much for reading.
Please click the “Buy Now!”
button below to download the
complete manual.



After you pay.

You can download the most
perfect and complete manual in
the world immediately.

Our support email:

ebooklibonline@outlook.com