

Product: TRACK-TYPE TRACTOR

Model: D5 TRACK-TYPE TRACTOR 98J

Configuration: D5 TRACTOR--SPECIAL APPLICATION 98J01134-01590 (MACHINE)

## Disassembly and Assembly HDB Series and M1 Series Heavy Duty Brushless Alternators

Media Number -SEN4130-01

Publication Date -01/01/2002

Date Updated -23/01/2002

i01586342

# Alternator - Disassemble - HDB Series Alternator

SMCS - 1405-015

## Disassembly Procedure

### Start By:

- A. Remove the alternator from the machine. Refer to Disassembly and Assembly, "Alternator - Remove" for the machine that is being serviced.

**Note:** Before disassembly, clean the exterior of the alternator in order to prevent dirt from entering the unit.

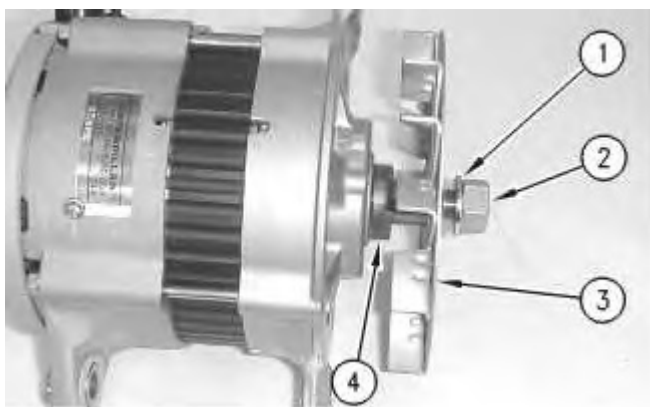


Illustration 1

g00825178

1. Remove pulley nut (2), washer (1), fan (3), and spacer (4) from the rotor shaft.

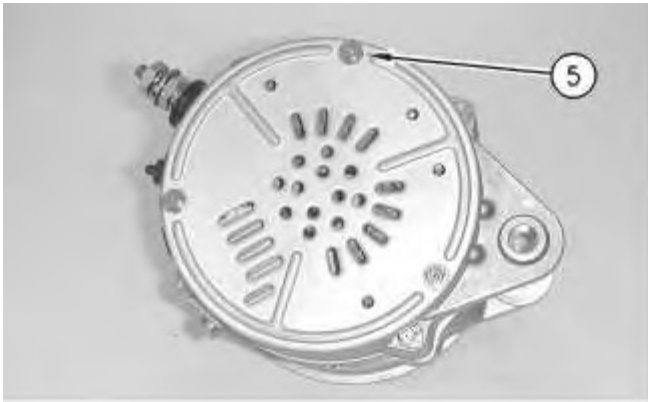


Illustration 2

g00825176

2. Remove three bolts (5). Remove the rear cover.

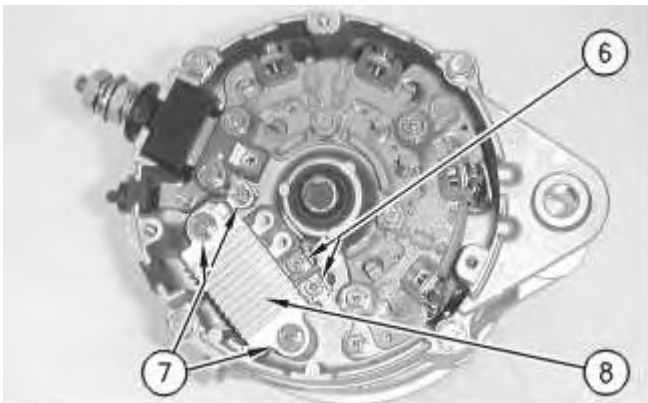


Illustration 3

g00825175

3. Remove two bolts (6). Disconnect the field winding leads from the regulator. Label the wires. Remove three bolts (7). Remove regulator (8) .

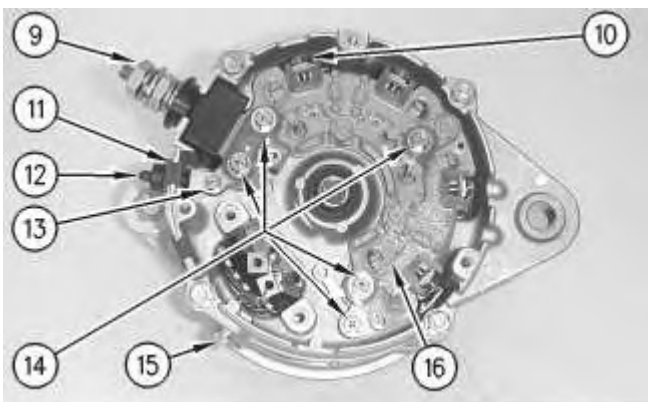


Illustration 4

g00825173

4. Remove "B-" terminal (15) .
5. Remove bolt (13). Remove grommet (11). Remove "R" terminal (12) .
6. Loosen "B+" terminal (9). Remove four bolts (10) and disconnect the stator leads from the rectifier. Label the wires. Remove five bolts (14). Remove rectifier (16) .

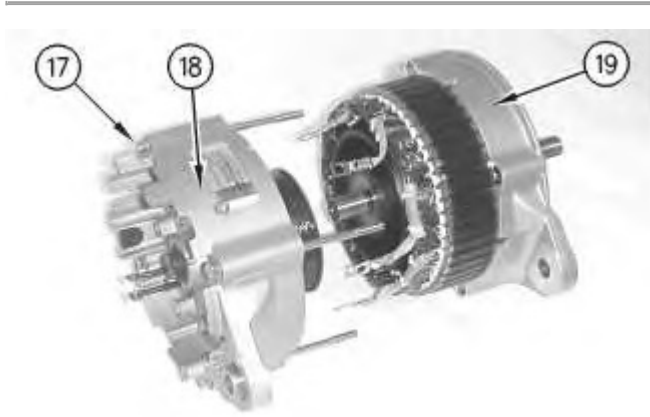


Illustration 5

g00825170

7. For proper alignment during assembly, mark the front frame, the stator, and the rear frame. Mark the locations of the stator leads in the rear frame. Remove four bolts (17). Separate rear frame (18) from front frame (19) .



Illustration 6

g00825168

8. Mark the location of the field winding leads in the rear frame. Remove three bolts (20). Remove field coil (21) from the rear frame.
-



Illustration 7

g00825158

9. Remove roller bearing (22) from the rear frame. The removal of this component requires force.

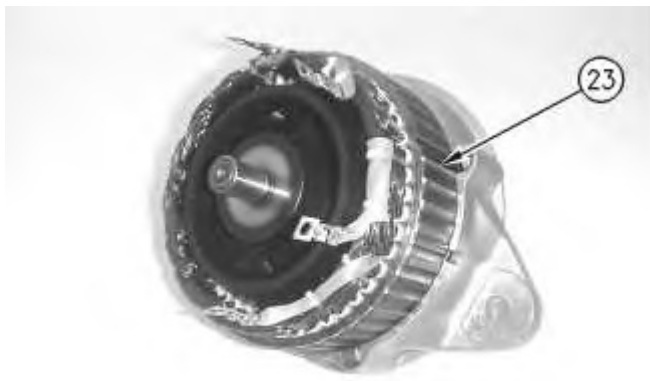


Illustration 8

g00825156

10. The stator and the front frame remain marked. Remove stator (23) from the front frame.



Illustration 9

g00825155

11. Remove rotor (24) from the front frame. The removal of this component requires force.



Illustration 10

g00825154

12. Remove spacer (25) from the rotor.



Illustration 11

g00825149

13. Remove three bolts (26). Remove retainer (27) .



14. Remove ball bearing (28) from the front frame. The removal of this component requires force.
-

Product: TRACK-TYPE TRACTOR

Model: D5 TRACK-TYPE TRACTOR 98J

Configuration: D5 TRACTOR--SPECIAL APPLICATION 98J01134-01590 (MACHINE)

## Disassembly and Assembly HDB Series and M1 Series Heavy Duty Brushless Alternators

Media Number -SEN4130-01

Publication Date -01/01/2002

Date Updated -23/01/2002

i01569730

### Alternator - Assemble - M1 Series Alternator (35 Amp)

SMCS - 1405-016

### Assembly Procedure

**Note:** Before assembly, clean all parts in cleaning fluid. Allow the parts to air dry. DO NOT dry the parts with wiping cloths or with rags. Cloths and rags contain lint. Inspect all parts. Replace worn parts and replace damaged parts.



---

Illustration 1

g00825771

1. Put field winding (24) into the rear frame. Install three bolts.
-

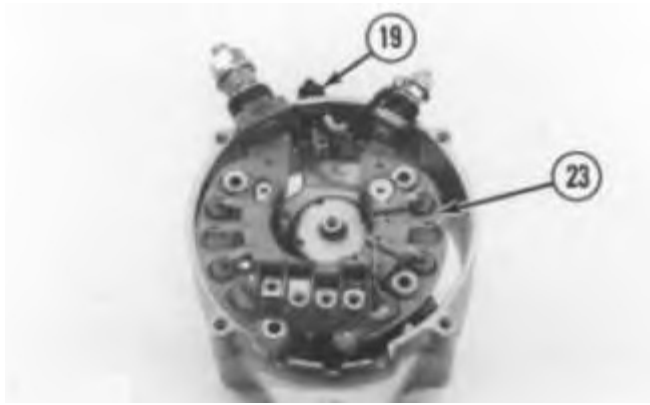


Illustration 2

g00825773

2. Install "R" terminal (19). Put rectifier (23) into the rear frame. Install the four bolts. Tighten the "B+" terminal nut to the following torque:  $29 \pm 8 \text{ N}\cdot\text{m}$  ( $21 \pm 6 \text{ lb ft}$ ) Tighten the "B-" terminal nut to the following torque:  $4.4 \pm 1 \text{ N}\cdot\text{m}$  ( $39 \pm 9 \text{ lb in}$ )



Illustration 3

g00825774

3. Put rear frame (4) on stator (5). Align the marks on the stator and on the rear frame. Connect the stator leads to the rectifier.





4. Install regulator (15) and capacitor (17). Install the two bolts.
5. Connect the field winding leads and connect the wire (14) to the regulator and to the capacitor. Connect the other end of the wire (14) and connect wire (16) to the rectifier.
6. Install the rear cover.

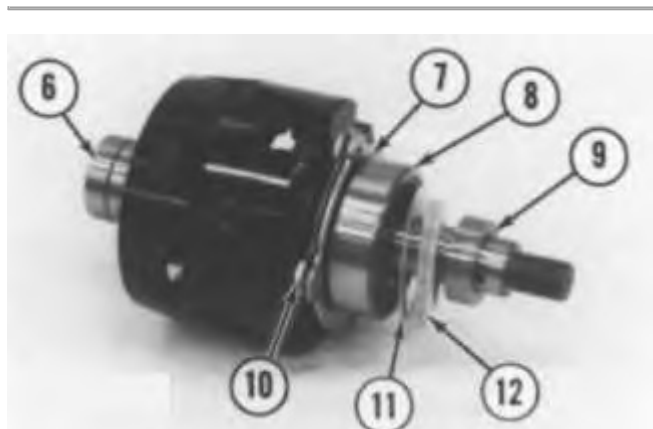


Illustration 5

g00825750

7. Install two ball bearings (6) on the rotor. Install plate assembly (10), the rear spacer, the rear felt washer, plate (7), ball bearing (8), washer (11), front felt washer (12), and spacer (9) .

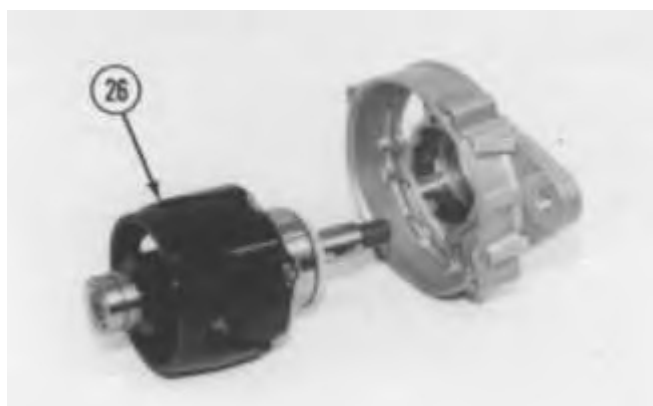


Illustration 6

g00825777

8. Put rotor (26) into the front frame. Install the four bolts.
-



---

Illustration 7

g00825778

9. The rotor remains connected to the front frame. The stator remains connected to the rear frame. Put front frame (3) into the rear frame (4). Align the marks on the front frame and on the rear frame. Install the four bolts.
10. Install the fan, the key, the pulley, the washer, and the pulley nut. Tighten the pulley nut to the following torque:  $102 \pm 7 \text{ N}\cdot\text{m}$  ( $75 \pm 5 \text{ lb ft}$ )
11. Restore the residual magnetism in the alternator. Refer to Testing and Adjusting, "Residual Magnetism - Restore".

**End By:** Install the alternator on the machine. Refer to Disassembly and Assembly, "Alternator - Install" for the machine that is being serviced.

---

Product: TRACK-TYPE TRACTOR

Model: D5 TRACK-TYPE TRACTOR 98J

Configuration: D5 TRACTOR--SPECIAL APPLICATION 98J01134-01590 (MACHINE)

## Disassembly and Assembly HDB Series and M1 Series Heavy Duty Brushless Alternators

Media Number -SEN4130-01

Publication Date -01/01/2002

Date Updated -23/01/2002

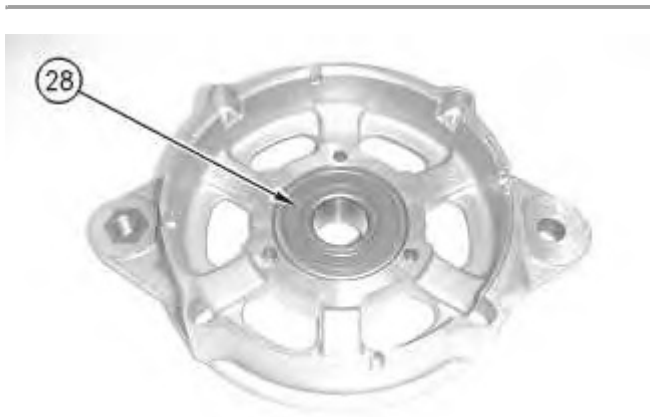
i01585833

### Alternator - Assemble - HDB Series Alternator

SMCS - 1405-016

### Assembly Procedure

**Note:** Before assembly, clean all parts in cleaning fluid. Allow the parts to air dry. DO NOT dry the parts with wiping cloths or with rags. Cloths and rags contain lint. Inspect all parts. Replace worn parts and replace damaged parts.



---

Illustration 1

g00825148

1. Install ball bearing (28) into the front frame. The installation of this component requires force.
-

Thank you so much for reading.  
Please click the “Buy Now!”  
button below to download the  
complete manual.



After you pay.

You can download the most  
perfect and complete manual in  
the world immediately.

Our support email:

[ebooklibonline@outlook.com](mailto:ebooklibonline@outlook.com)