

Product: EXCAVATOR

Model: EL200B EXCAVATOR 5EG

Configuration: EL200B EXCAVATOR 5EG00001-UP (MACHINE) POWERED BY S6KT ENGINE

## **General Service Information SK4 & SK6 ENGINES BASIC ENGINE COMPONENTS**

Media Number -XEBR1230-00

Publication Date -01/05/1991

Date Updated -13/10/2001

# **Engine Accessory Removal And Installation**

## **1. Preparatory Steps**

This section explains the procedures and suggestions for removal and installation of the accessories - the preparatory steps to go through for overhauling the engine.

- (a) Shut off fuel supply, and disconnect the starting system from the engine.
- (b) Loosen the drain cock, on the left rear side of crankcase, and drain coolant.
- (c) Loosen the oil pan drain plug, and drain engine oil.

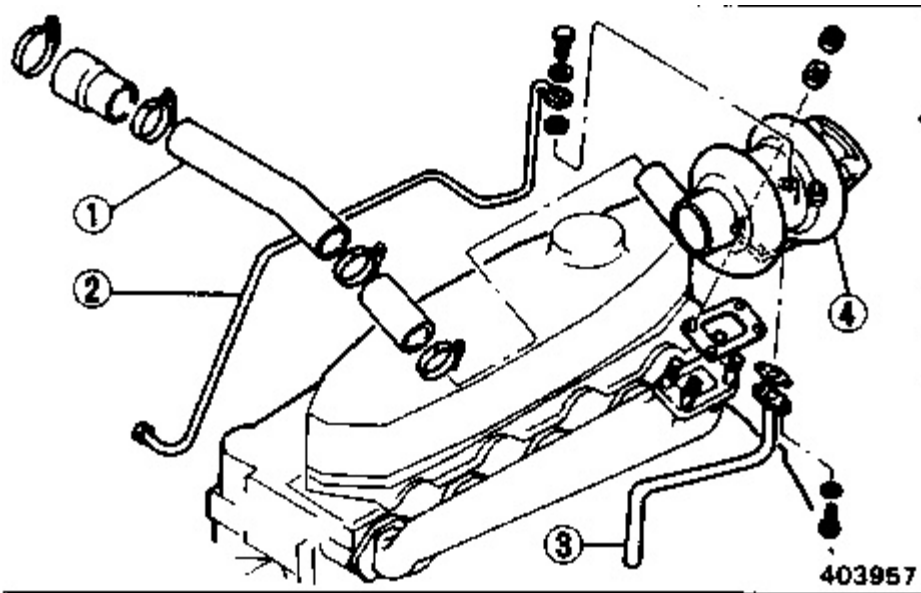


**Hot engine oil can cause personal injury if it contacts the skin. Use caution when draining the oil.**

---

## **2. Engine Accessory Removal**

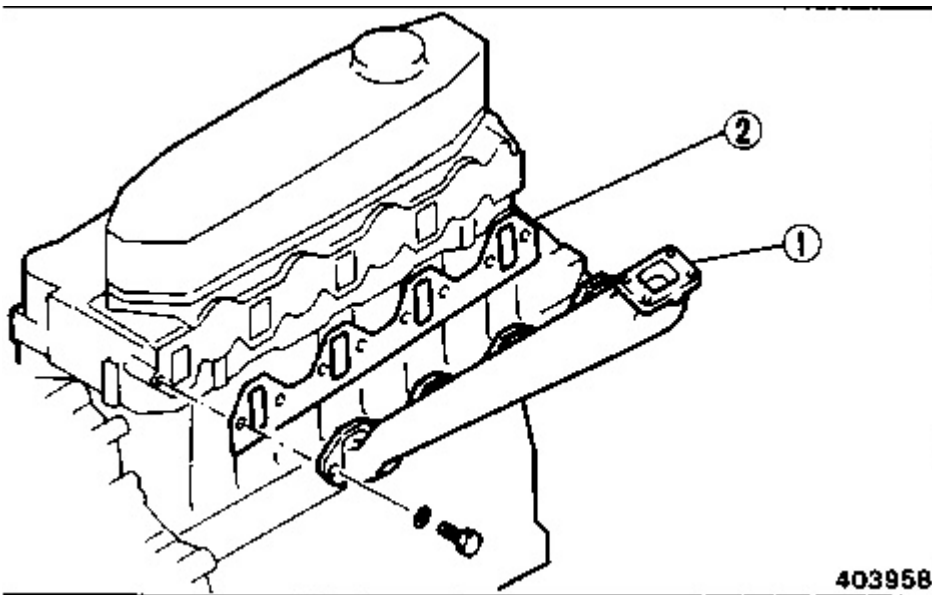
- (1) Removing turbocharger [turbocharged engines]



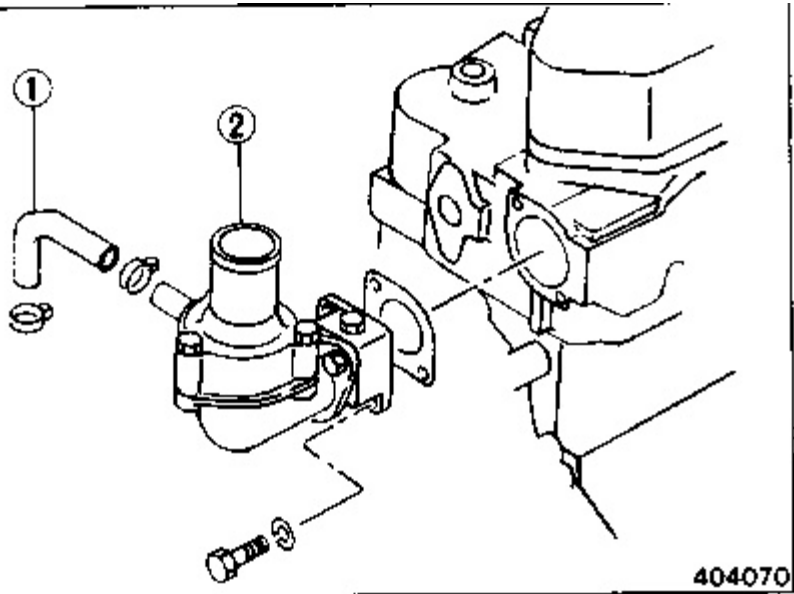
- (a) Disconnect pipe (1) between the turbocharge and inlet manifold.
- (b) Disconnect turbocharger lubricating oil pipe (2) and drain pipe (3).
- (c) Remove turbocharger (4) from the exhaust manifold.

**(2) Removing exhaust manifold**

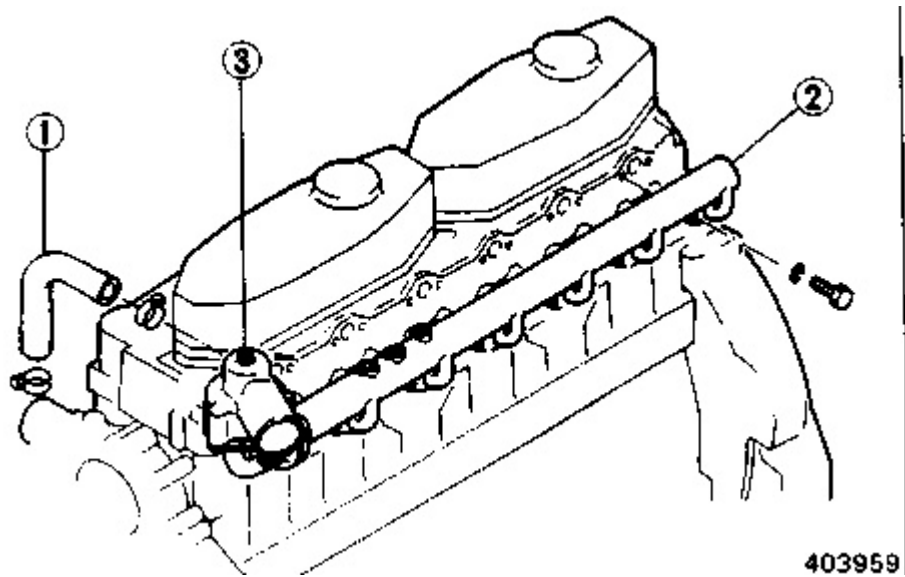
Unscrew bolts securing exhaust manifold (1), and remove the manifold and gasket (2).



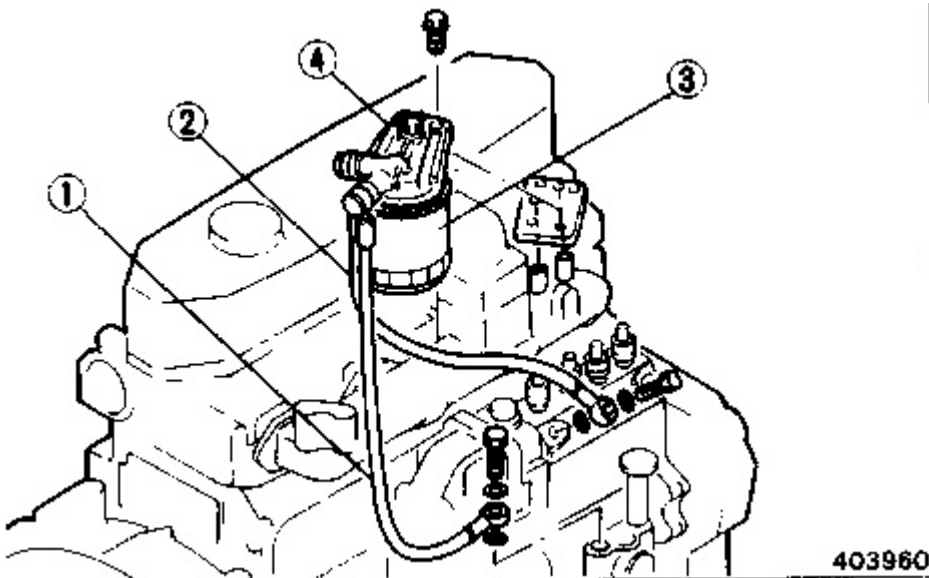
**(3) Removing thermostat (S4K, S4K-T)**



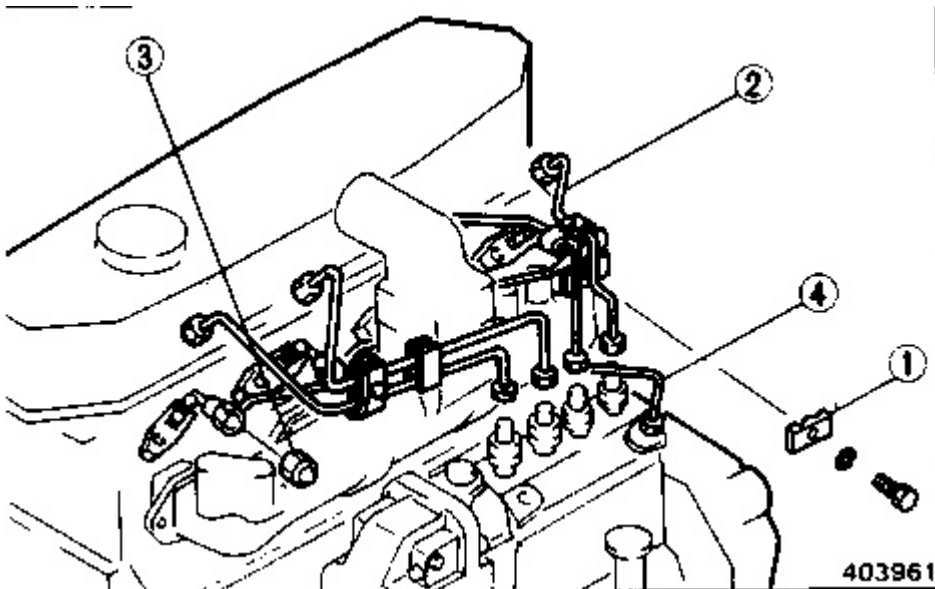
- (a) Disconnect water bypass hose (1).
- (b) Remove thermostat case (2).
- (4) Removing water outlet pipe and thermostat (S6K, S6K-T)



- (a) Disconnect water bypass hose (1).
- (b) Remove water outlet pipe (2) and thermostat case (3) as an assembly.
- (5) Removing fuel filter



- (a) Disconnect fuel pipes (1)(2).
- (b) Remove fuel filter (3) and bracket (4) as an assembly.
- (c) Removing fuel injection pipes



- (a) Remove pipe clamp (1), and disconnect injection pipes (2).
- (b) Unscrew lock nut (3), and remove leak-off pipe (4).

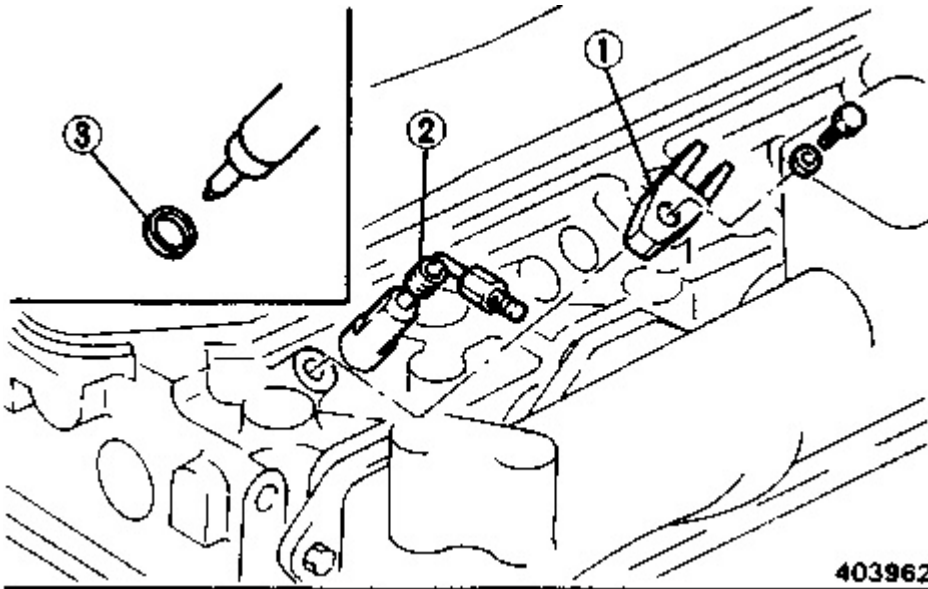
---

### NOTICE

**Be sure to fit rubber caps to the openings of the injection pumps and nozzle holders to prevent dust from getting inside the fuel system.**

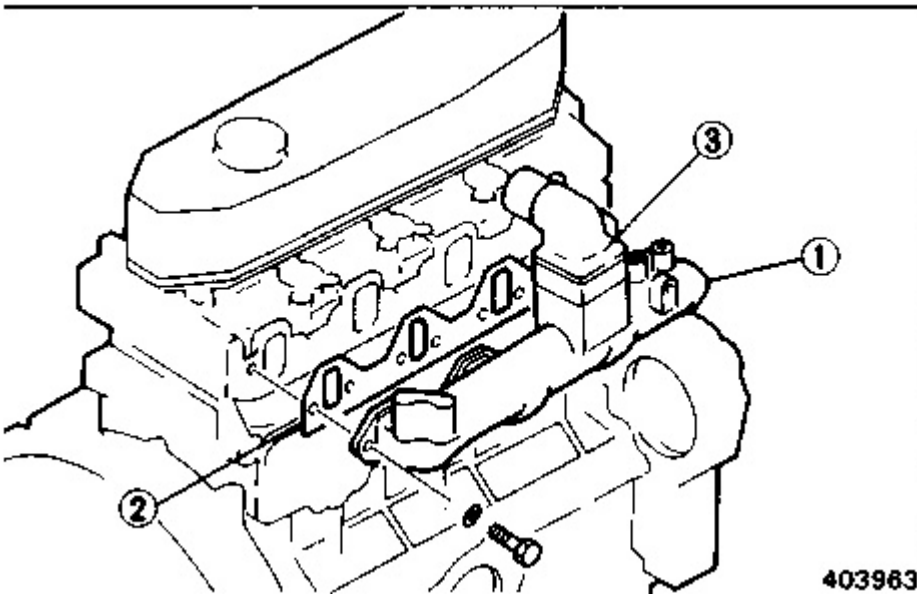
---

- (7) Removing fuel injection nozzles



Take off nozzle gland (1), and remove injection nozzle (2) and gasket (3).

**(8) Removing inlet manifold and air heater**



Unscrew the bolts securing inlet manifold (1), and remove the manifold and gasket (2) complete with air heater (3).

**(9) Removing fuel injection pump**

Thank you so much for reading.  
Please click the “Buy Now!”  
button below to download the  
complete manual.



After you pay.

You can download the most  
perfect and complete manual in  
the world immediately.

Our support email:

[ebooklibonline@outlook.com](mailto:ebooklibonline@outlook.com)