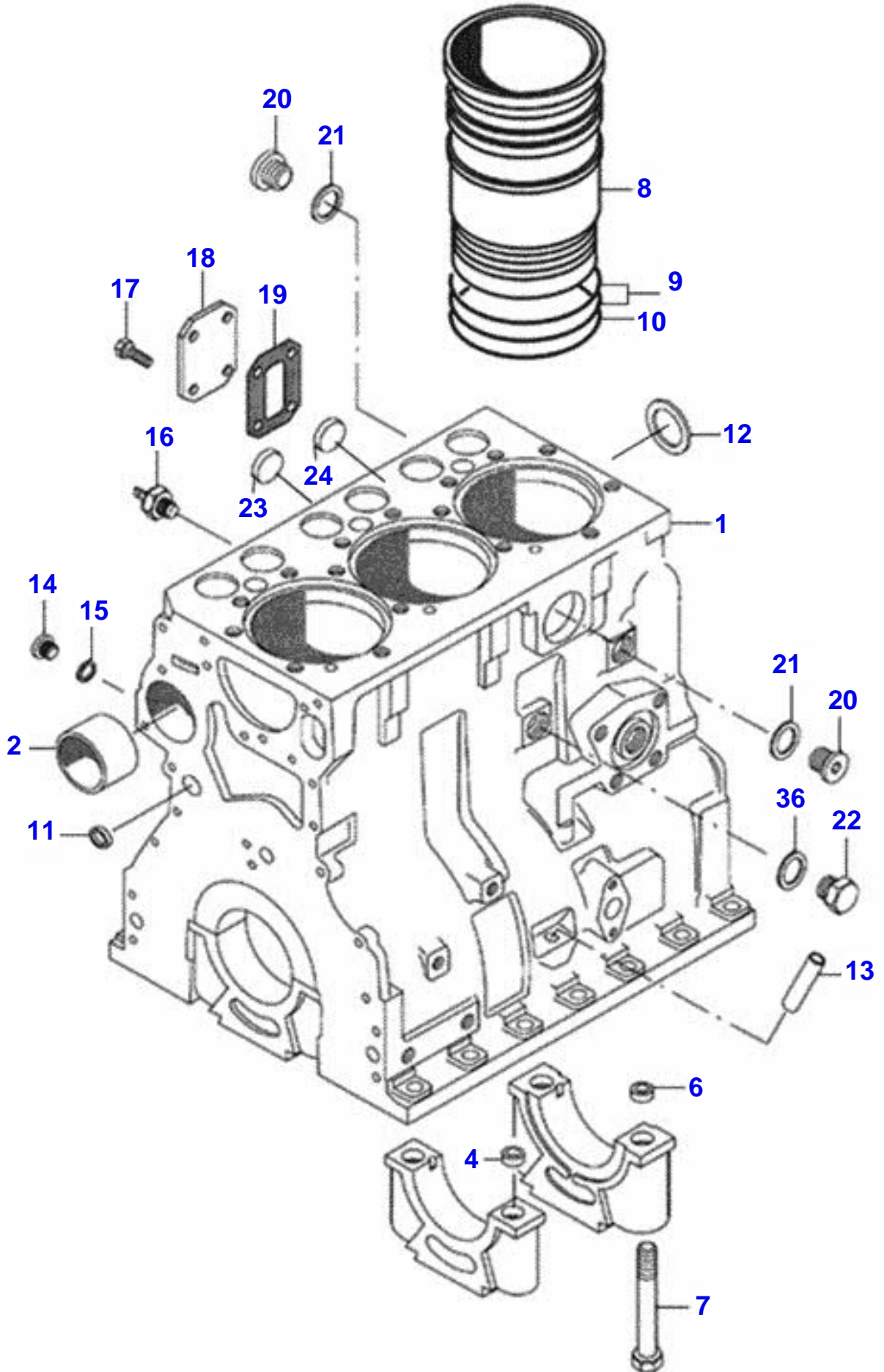


Page Title	Page Number
100 - TOLL'S BOX	101-01-343
100 - ADHESIVES (PORTUGUESE)	101-02-342
100 - ADHESIVES (PORTUGUESE)	101-03-442
100 - ADHESIVES (SPANISH)	101-04-443
100 - ADHESIVES (SPANISH)	101-05-444
100 - ADHESIVES (ENGLISH)	101-06-445
100 - ADHESIVES (ENGLISH)	101-07-446
100 - THRAILLER SUPPORT	101-08-344
20 - CYLINDER BLOCK	21-01-345
20 - FLYWHEEL AND GEAR RIM	21-02-346
20 - CYLINDER HEAD	21-03-347
20 - VALVES MECHANISM	21-04-933
20 - CRANKSHAFT MECHANISM	21-05-349
20 - GEAR HOUSING	21-06-350
20 - OIL FILTER	21-07-351
20 - SUMP	21-08-352
20 - AIR FILTER	21-09-967
20 - INLET AND EXHAUST MANIFOLD	21-10-354
20 - MUFFLER	21-11-355
20 - MUFFLER	21-12-1774
20 - TURBOCHARGER	21-12-356
20 - MUFFLER	21-37-515
20 - SEDIMENTATION FILTER	22-01-357
20 - FUEL FILTER	22-02-358
20 - INJECTION PUMP	22-03-359
20 - THROTTLE SYSTEM	22-04-360
20 - RADIATOR	23-01-361
20 - WATER PUMP AND FAN	23-02-1115
20 - GASKET SET S1	28-01-363
20 - GASKET SET S1+S2	28-02-364
20 - REPAIR KIT	28-03-365
30 - STARTER MOTOR - BOSCH	31-01-29
30 - STARTER MOTOR - ISKRA	31-02-531
30 - ALTERNATOR - 55A- ISKRA	31-03-368
30 - ALTERNATOR BOSCH - 90A	31-04-1282
30 - ELECTRICAL SYSTEM	32-01-369
30 - ELECTRICAL SYSTEM	32-02-448
30 - INSTRUMENTS PANEL	32-03-370
40 - DOUBLE CLUTCH AND DRIVE PEDAL	41-01-371
40 - DOUBLE CLUTCH	41-02-372
40 - GEARBOX HOUSING	42-01-373
40 - TRANSMISSION LEVER	42-02-374
40 - COUNTERSHAFT	42-03-375
40 - MAINSHAFT	42-04-376
40 - BEVEL PINION	42-05-377
40 - DIFFERENTIAL	42-06-378
40 - HI-TRAC AND LOW-TRAC	44-01-379
40 - HI-TRAC COOLING	44-02-380
40 - HYDRAULIC PUMP HI-TRAC	44-03-381
40 - HI-TRAC SYSTEM LEVER	44-04-382

TABLE OF CONTENT

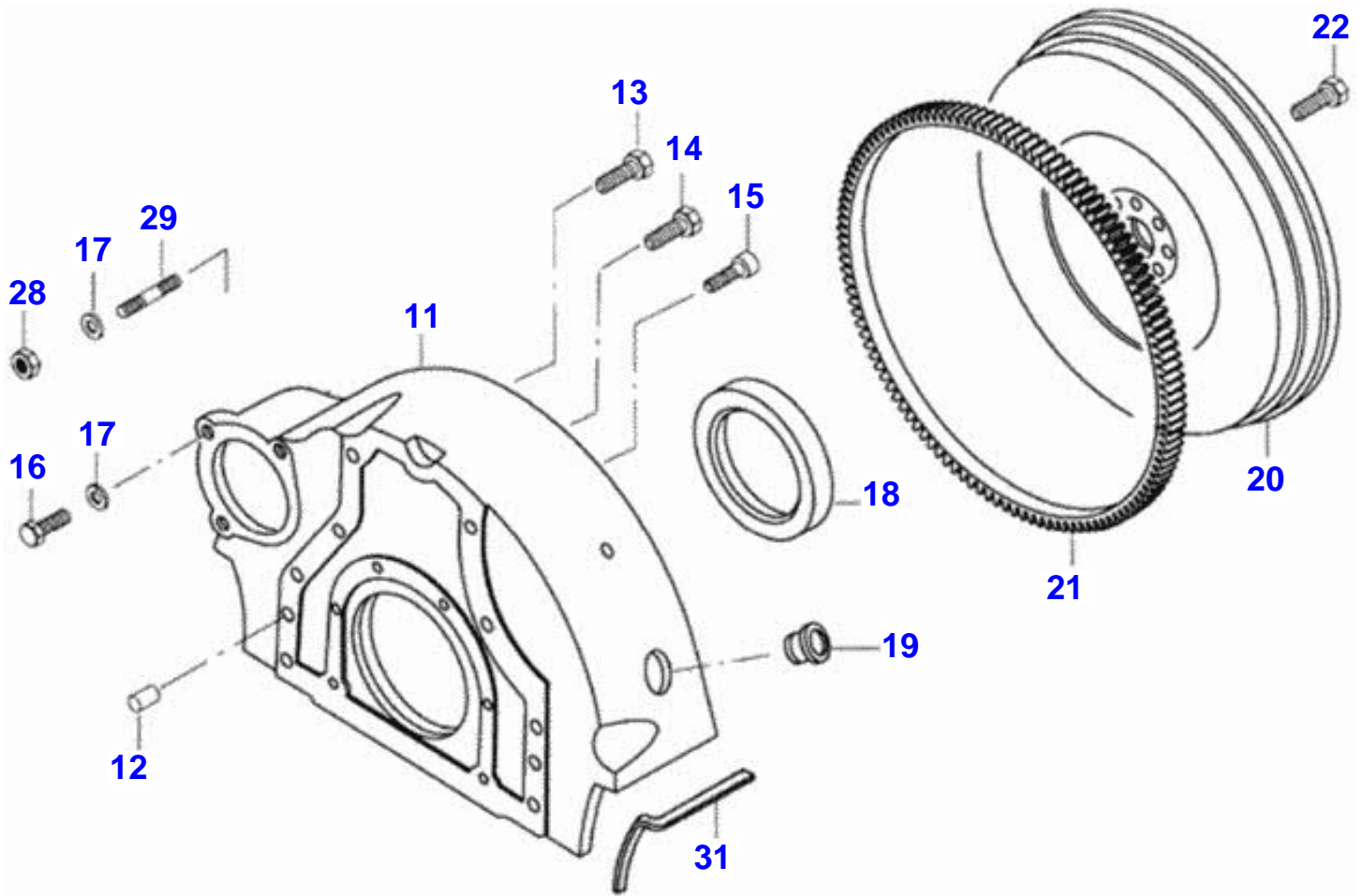
40 - POWER TAKE OFF	46-01-383
40 - PTO DRIVE LEVER	46-02-384
50 - FINAL DRIVES AND BRAKES	51-01-385
50 - BRAKE CONTROL DRIVE	51-02-386
50 - CONTROL BRAKE SYSTEM	51-03-387
60 - STEERING WHEEL COLUMN	61-01-388
60 - HYDRAULIC STEERING	61-02-389
60 - HYDROSTATIC STEERING UNIT DANFOSS	61-03-390
60 - FRONT AXLE	62-02-392
60 - STEERING CYLINDER	62-03-393
60 - FRONT DRIVE SELECTING LEVER	63-01-394
60 - CARDAN AND FRONT AXLE DRIVE	63-02-395
60 - FRONT AXLE HOUSING - CARRARO	64-01-396
60 - BEVEL GEAR AND PINION - CARRARO	64-02-397
60 - DIFFERENTIAL - CARRARO	64-03-398
60 - JOINT BODY - CARRARO	64-04-399
60 - PLANETARY GEAR - CARRARO	64-05-400
60 - STEERING ROD - CARRARO	64-06-401
60 - STEERING CYLINDER - CARRARO	64-07-402
60 - DOUBLE JOINT - CARRARO SHAFT	64-08-403
70 - ENGINE SUPPORT AND CARDAN PROTECTOR	71-01-391
70 - FUEL TANK	71-02-404
70 - FRONT WHEEL	72-01-405
70 - REAR WHEEL	72-02-406
70 - BUFFER AND FRONT COUNTERWEIGHT	79-01-407
70 - REAR WHEEL COUNTERWEIGHT	79-02-408
80 - SEAT	81-01-1568
80 - FRONT SHIELDS	81-02-410
80 - INSTRUMENTS PANEL	81-03-411
80 - REAR MUDGUARD	81-04-412
80 - KIT FRONT PIPE COMPLETE	81-05-889
80 - KIT REAR PIPE COMPLETE	81-06-890
90 - HYDRAULIC PUMP AND SUCTION FILTER	91-01-413
90 - HYDRAULIC PIPES SYSTEM	91-02-414
90 - HIDRAULIC LEVER SYSTEM	91-03-415
90 - HYDRAULIC VALVE	91-04-416
90 - GEARBOX UPPER COVER	91-05-417
90 - LIFT CYLINDER	91-06-418
90 - THREE POINTS SYSTEM	91-07-419
90 - TRAILER HITCH	99-01-420
90 - DOUBLE ACTION VALVE	99-03-422
90 - DOUBLE ACTION VALVE	99-04-423

BF75 TRACTOR (BRAZIL)



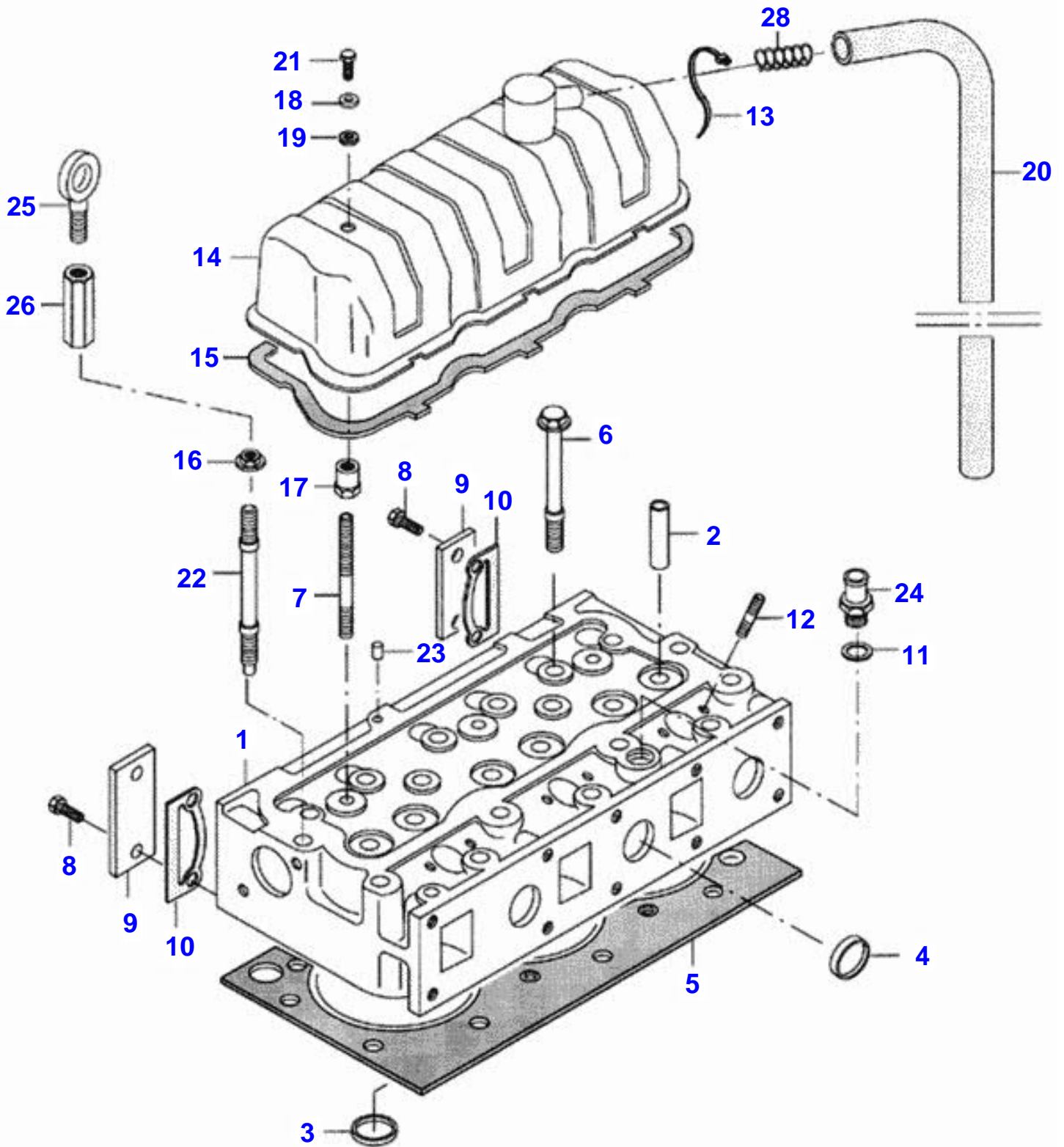
20 - CYLINDER BLOCK

Item	Part Number	Qty	Description
1	V836667523	1	Assy cylinder block
2	V836322610	1	Bushing
4	V836214478	6	Guide bushing
6	V836214478	2	Guide bushing
7	V529903180	8	Screw
8	V836666990	3	Cylinder liner Flange s=9,03 std
	V836647933	3	Cylinder liner Flange s=9,08mm
	V836647934	3	Cylinder liner Flange s=9,13mm
	V836647935	3	Cylinder liner Flange s=9,23mm
9	V836647502	6	O-ring, cylinder liner S2
10	V836647503	3	O-ring, cylinder liner S2
11	V640016016	4	Plug ring cylinder block
12	V836529872	1	Plug
13	V836014334	1	Pipe
14	V640325110	2	Plug
15	V615571014	2	Seal ring S2
16	V887283760	1	Pressure switch
17	V528801362	2	Screw
18	V836659543	1	Cover
	V836647400	1	Cover
19	V836647401	1	Gasket feed pump S2
	V836659544	1	Gasket S2
20	V640325018	2	Plug
21	VKH3617	2	Seal ring
22	V836019756	1	Plug
23	V640016018	1	Plug
24	V640016012	1	Cover
36	V615881824	1	Seal ring
	V836640289	1	Gasket set S1
	V836640356	1	Gasket set S1+S2 S1 + S2



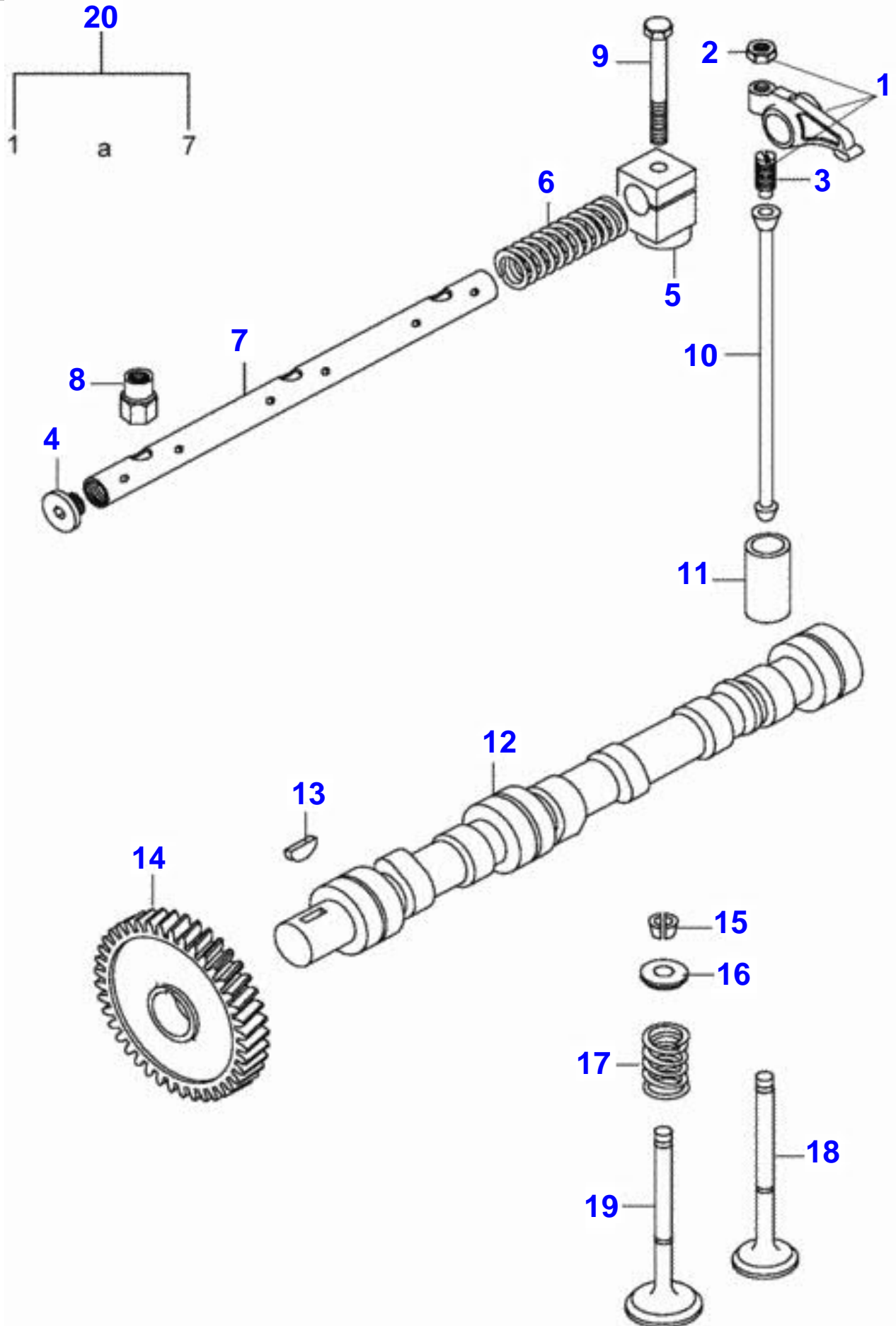
20 - FLYWHEEL AND GEAR RIM

Item	Part Number	Qty	Description
11	V836752443	1	Housing
12	V598359850	2	Pin
13	V581705440	2	Screw
14	V528902220	7	Screw
15	V581705030	6	Screw
16	V528801800	3	Screw
17	V500951000	3	Washer
18	V614500002	1	Oil seal, crankshaft S2
19	V836007572	1	Plug
20	V453064283	1	Flywheel
21	V836117970	1	Gear rim Z=128
22	V528902230	7	Screw
28	V504601000	3	Nut
29	V546801800	3	Stud bolt
31	V31058600	1	Left gasket
	V31085600	1	Left gasket

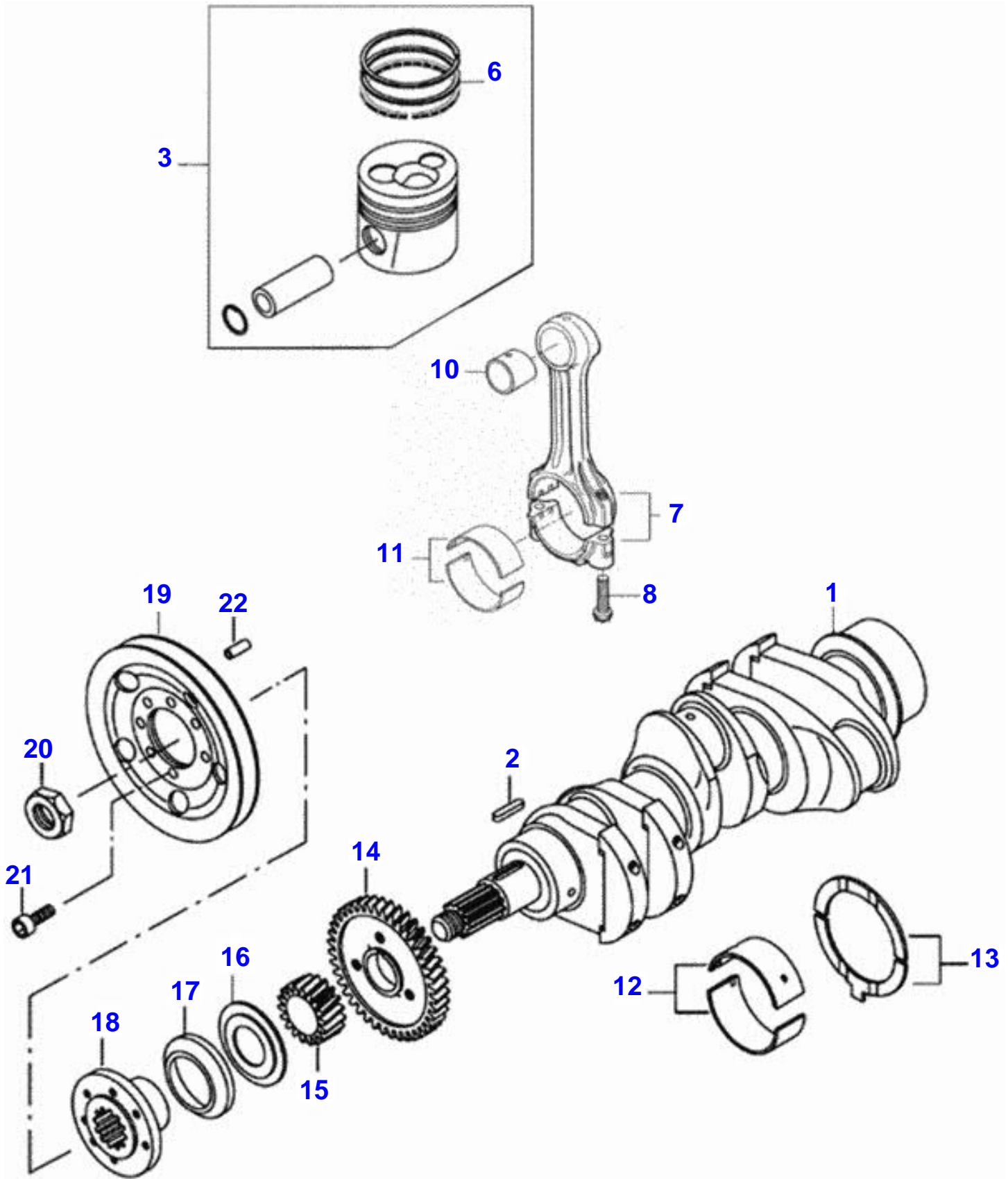


20 - CYLINDER HEAD

Item	Part Number	Qty	Description
1	V836855381	1	Cylinder head
2	V836673175	6	Valve guide
3	V836647600	3	Valve seat
4	V836647942	5	Cover
5	V837070290	1	Cylinder head gasket S1
6	V836646383	15	Screw
7	V546801900	2	Stud bolt
8	V528801800	4	Screw
9	V836855350	2	Cover
10	V836855417	2	Gasket S1
11	V615881822	1	Support of the seal S1
12	V546901435	6	Stud bolt
13	V835329746	1	Clamp
14	V836646359	1	Cover
15	V836646360	1	Gasket valve cover S1
16	V836859110	2	Nut
17	V836655406	2	Nut
18	V836119855	2	Washer
19	V836012841	2	Rubber washer S1
20	V836647814	1	Hose
21	V528801780	2	Screw
22	V836859109	2	Stud bolt
23	V595953360	1	Pin
24	V836119837	1	Connection
25	V836640252	1	Lifteye
26	V836647835	1	Extension
28	V836659103	1	Spring

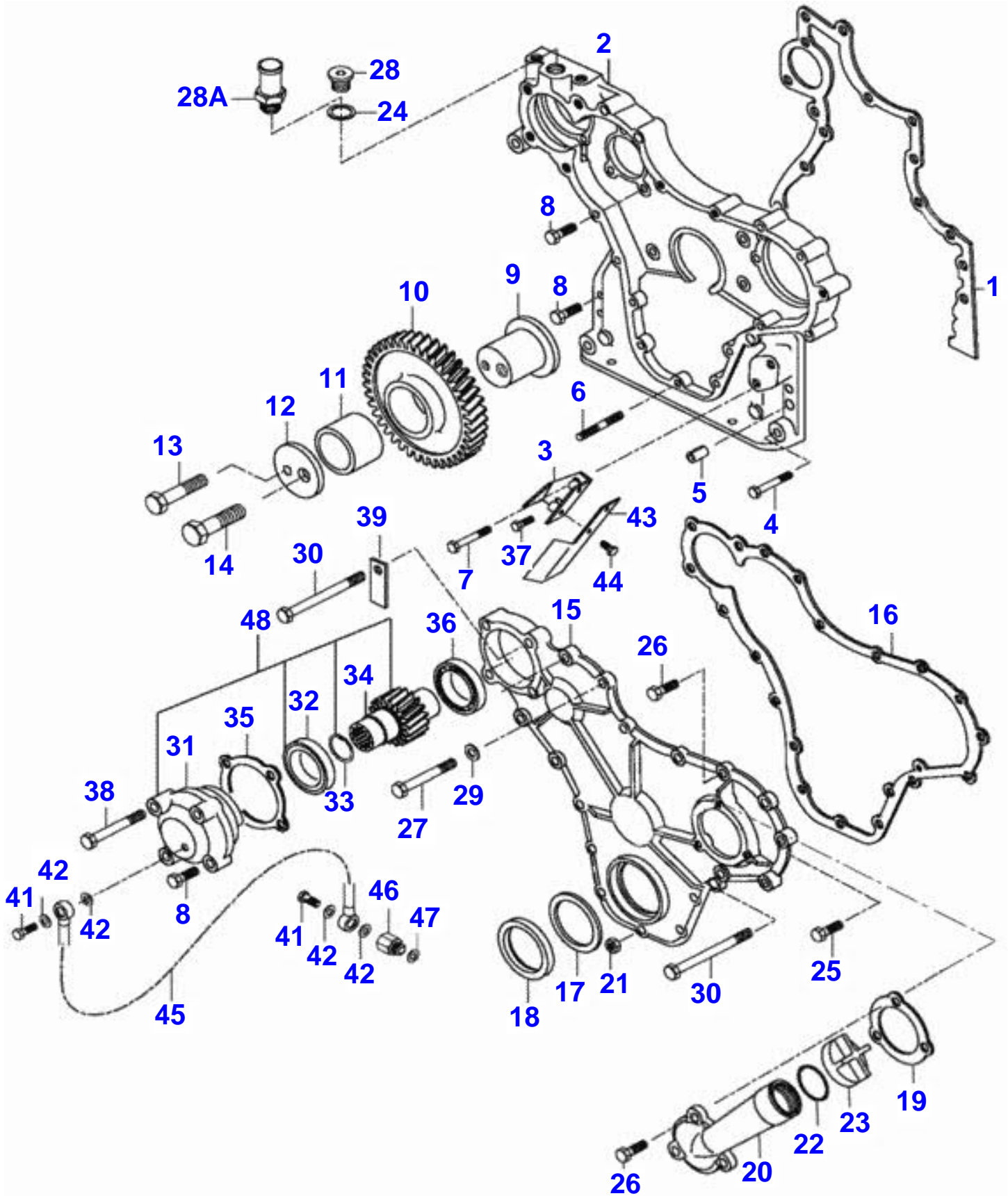


Item	Part Number	Qty	Description
1	V836666608	6	Assy rocker arm
2	V512861000	6	Nut
3	V836655866	6	Screw
4	V836655899	2	Plug
5	V836655869	3	Bracket
6	V836655884	2	Spring
7	V836655870	1	Shaft
8	V836655406	2	Nut
9	V529801910	1	Screw
10	V836655867	6	Push rod
11	V836014264	6	Valve tappet
12	V836646374	1	Camshaft
13	V603305760	1	Shifting
14	V836646389	1	Gear
15	V836646382	12	Valve cotter
16	V836646381	6	Spring plate
17	V836646380	6	Spring
18	V836646357	3	Exhaust vale
19	V836646356	3	Intake valve
20	V836666610	1	Valve mechanism - assembly Ref. 1,2,3,4,5,6, e 7.

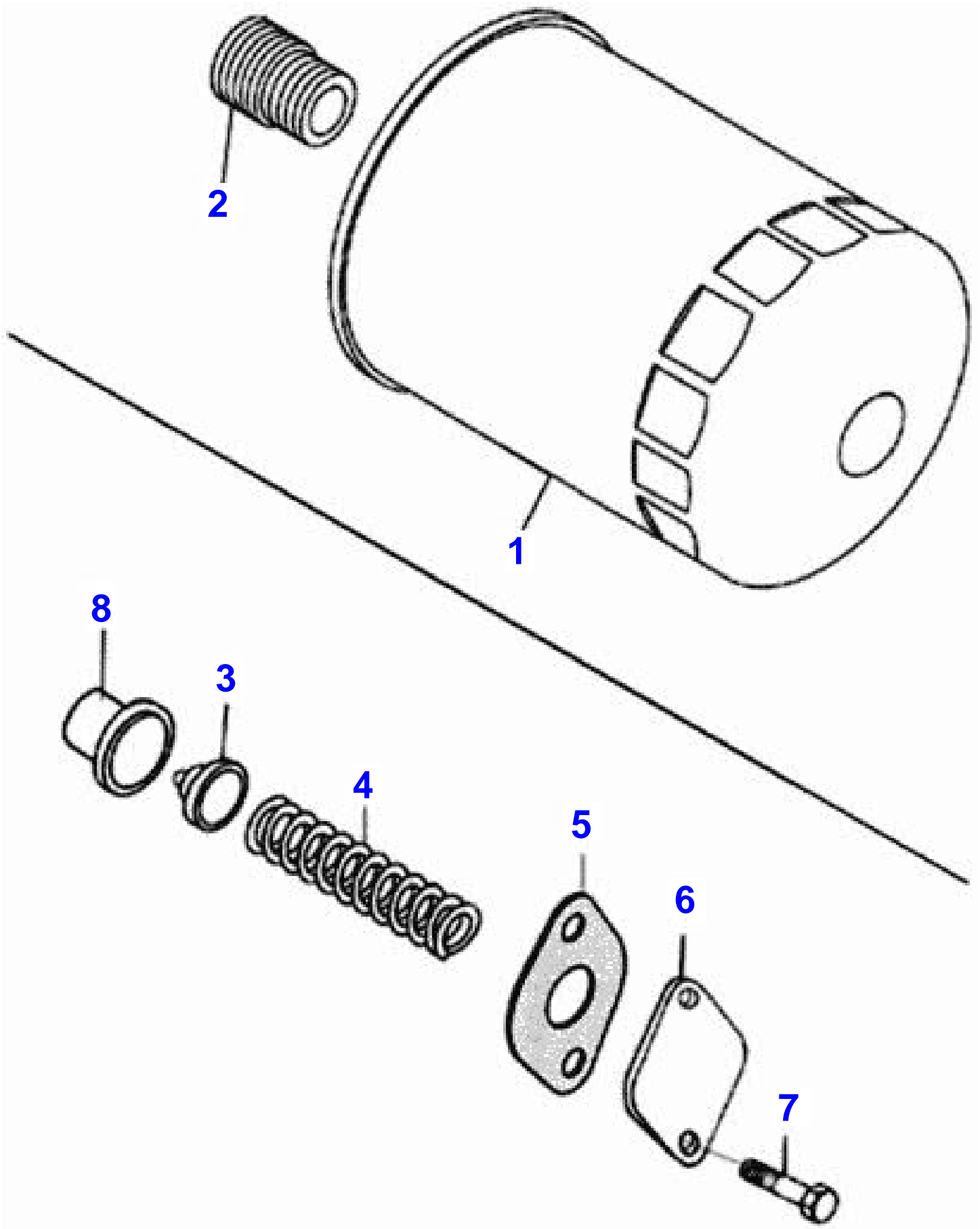


20 - CRANKSHAFT MECHANISM

Item	Part Number	Qty	Description
1	V836647314	1	Crankshaft
2	V603345110	1	Shifting
3	V836655269	3	Complete piston
6	V836640126	3	Piston ring set
7	V82659700	1	Connecting rod 3 cylinders Kit
	V836666430	3	Con rod witout bearing F 1935 - 1954g
	V836666431	3	Con rod witout bearing V 1955 - 1974g
	V836666432	3	Con rod witout bearing X 1975 - 1994g
	V836666433	3	Con rod witout bearing Y 1995 - 2014g
	V836666434	3	Con rod witout bearing W 2015 - 2034 g
	V836666435	3	Con rod witout bearing Z 2035 - 2054g
	V836666436	3	Con rod witout bearing G 2055 - 2074 g
8	V836864141	6	Screw
10	V836646271	3	Bushing
11	V836110552	3	Big-end bearing STD
12	V836655514	4	Big-end bearing STD
13	V836119459	2	Thrust washer STD
14	V836120019	1	Gear
15	V836122840	1	Gear
16	V836129781	1	Ring
17	V836136271	1	Dust cover
18	V836846463	1	Hub
19	V836655449	1	Pulley
20	V836647310	1	Nut
21	V581804600	6	Screw
22	V595953360	1	Pin



Item	Part Number	Qty	Description
1	V836647419	1	Gasket gear housing S2
2	V836652221	1	Gear housing
3	V836655720	1	Indicator
4	V529801440	2	Screw
5	V598359850	4	Pin
6	V546801380	5	Stud bolt
7	V529801450	1	Screw
8	V528801400	10	Screw
9	V836138356	1	Shaft
10	V836138354	1	Gear assy
11	V836139039	1	Bushing
12	V836129845	1	Washer
13	V528801910	1	Screw
14	V529902720	1	Screw
15	V836647575	1	Cover
16	V835336796	1	Gasket front cover S2
17	V836129782	1	Shield ring
18	V614105880	1	Oil seal, crankshaft S2
19	V836129946	1	Gasket front cover S2
20	V835338325	1	Pipe
21	V504800800	5	Nut
22	V614603540	1	O-ring cover S2
23	V836017927	1	Plug
24	VKH6317	1	Seal ring
25	V528801420	3	Screw
26	V528801382	5	Screw
27	V529801470	3	Screw
28A	V836119851	1	Plug
29	V836120989	1	Washer
30	V529801500	2	Screw
31	V836655230	1	Bearing housing
32	VLA1014	1	Bearing
33	VKG3031	1	Circlip
34	V836122843	1	Shaft
35	V835336793	1	Gasket, bearing cover S2
36	V610060090	1	Bearing
38	V529801460	3	Screw
39	V836083428	1	Fastening plate
41	V640435008	2	Banjo bolt
42	V615870610	4	Seal washer
43	V836659093	1	Belt cover
44	V528801082	2	Screw
45	V82664500	1	Hose
46	V836655736	1	Connection
47	V615571014	1	Seal ring
48	V836655232	1	Assy hydraulic pump drive



Thank you so much for reading.
Please click the “Buy Now!”
button below to download the
complete manual.



After you pay.

You can download the most
perfect and complete manual in
the world immediately.

Our support email:

ebooklibonline@outlook.com