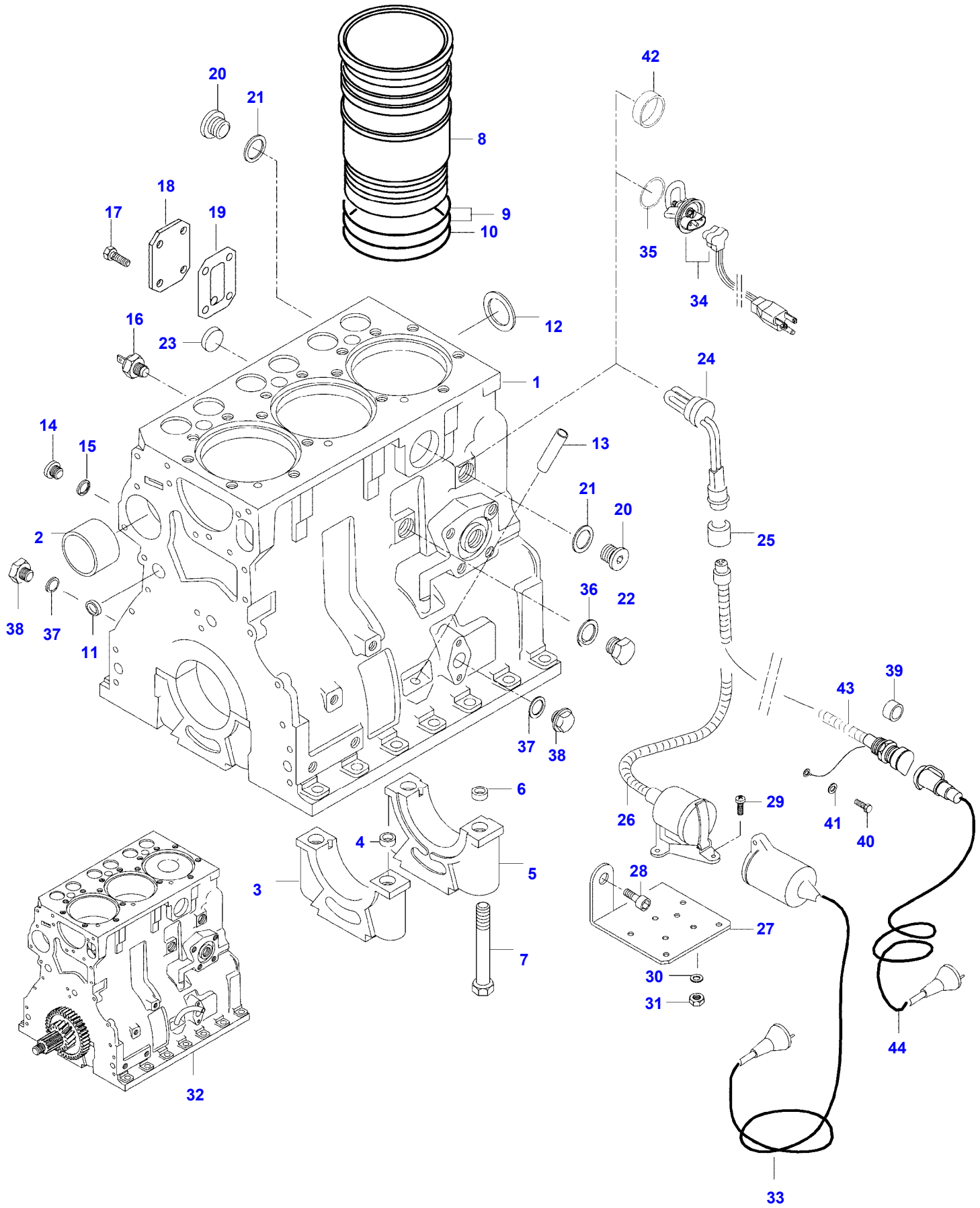


<b>Page Number</b>	<b>Page Title</b>	<b>Page Reference</b>
01-000-TOC	ENGINE, FUEL AND EXHAUST SYSTEM	01-000-TOC
02-000-TOC	AXLES	02-000-TOC
03-000-TOC	STEERING SYSTEM	03-000-TOC
04-000-TOC	DRIVE TRAIN SYSTEM	04-000-TOC
05-000-TOC	BRAKE SYSTEM	05-000-TOC
06-000-TOC	COMPRESSED AIR SYSTEM	06-000-TOC
07-000-TOC	HYDRAULIC SYSTEM	07-000-TOC
08-000-TOC	ELECTRICAL SYSTEM	08-000-TOC
09-000-TOC	CAB	09-000-TOC
10-000-TOC	AIR CONDITIONING AND HEATING SYSTEM	10-000-TOC
11-000-TOC	CHASSIS	11-000-TOC
12-000-TOC	DECALS	12-000-TOC
13-000-TOC	WHEELS	13-000-TOC
14-000-TOC	IMPLEMENT DRIVE SYSTEM	14-000-TOC
15-000-TOC	IMPLEMENT LIFT SYSTEM FRONT	15-000-TOC
16-000-TOC	IMPLEMENT LIFT SYSTEM REAR	16-000-TOC
17-000-TOC	ATTACHMENTS	17-000-TOC
18-000-TOC	GENERAL INFORMATION	18-000-TOC

Page Number	Page Title	Page Reference
01-0001	CYLINDERBLOCK	21-02
01-0002	FLYWHEEL AND HOUSING	21-06
01-0003	CYLINDER HEAD	21-08
01-0004	VALVE MECHANISM	21-12
01-0005	CRANK MECHANISM	21-16
01-0006	GEAR HOUSING	21-20
01-0007	OIL SUMP	21-22
01-0008	OIL FILTER	21-26
01-0009	AIR CLEANER	21-28
01-0010	AIR CLEANER	21-28A
01-0011	INTAKE- AND EXHAUST PIPE	21-34
01-0012	MUFFLER	21-38
01-0013	FEED PUMP	22-02
01-0014	FUEL FILTER	22-06
01-0015	FUEL PIPES	22-12
01-0016	INJECTION PUMP	22-14
01-0017	SPEED LEVERS	22-20
01-0018	SPEED LEVERS, FOREST	22-22
01-0019	RADIATOR	23-02
01-0020	COOLANT PUMP	23-04
	-J17504(M)	
01-0021	COOLANT PUMP	23-04A
01-0022	COOLANT PUMP	23-06
	J17505-(M)	
	J10179(M)-J10187(M)	
	J10191(M)-J10193(M)	
	J12660(M)-J12671(M)	
	J16187(M)	
	J16726(M)	
	J16747(M)	
	J16751(M)	
01-0023	STARTERMOTOR	31-02
	-J6773(M)	
01-0024	STARTERMOTOR	31-02A
	J6774-(M)	
01-0025	STARTERMOTOR	31-02B
01-0026	ALTERNATOR	31-04
	-J6773(M)	
01-0027	ALTERNATOR	31-04A
	J6774-(M)	
01-0028	ENGINE REPAIR KIT AND BEARINGS	28-10

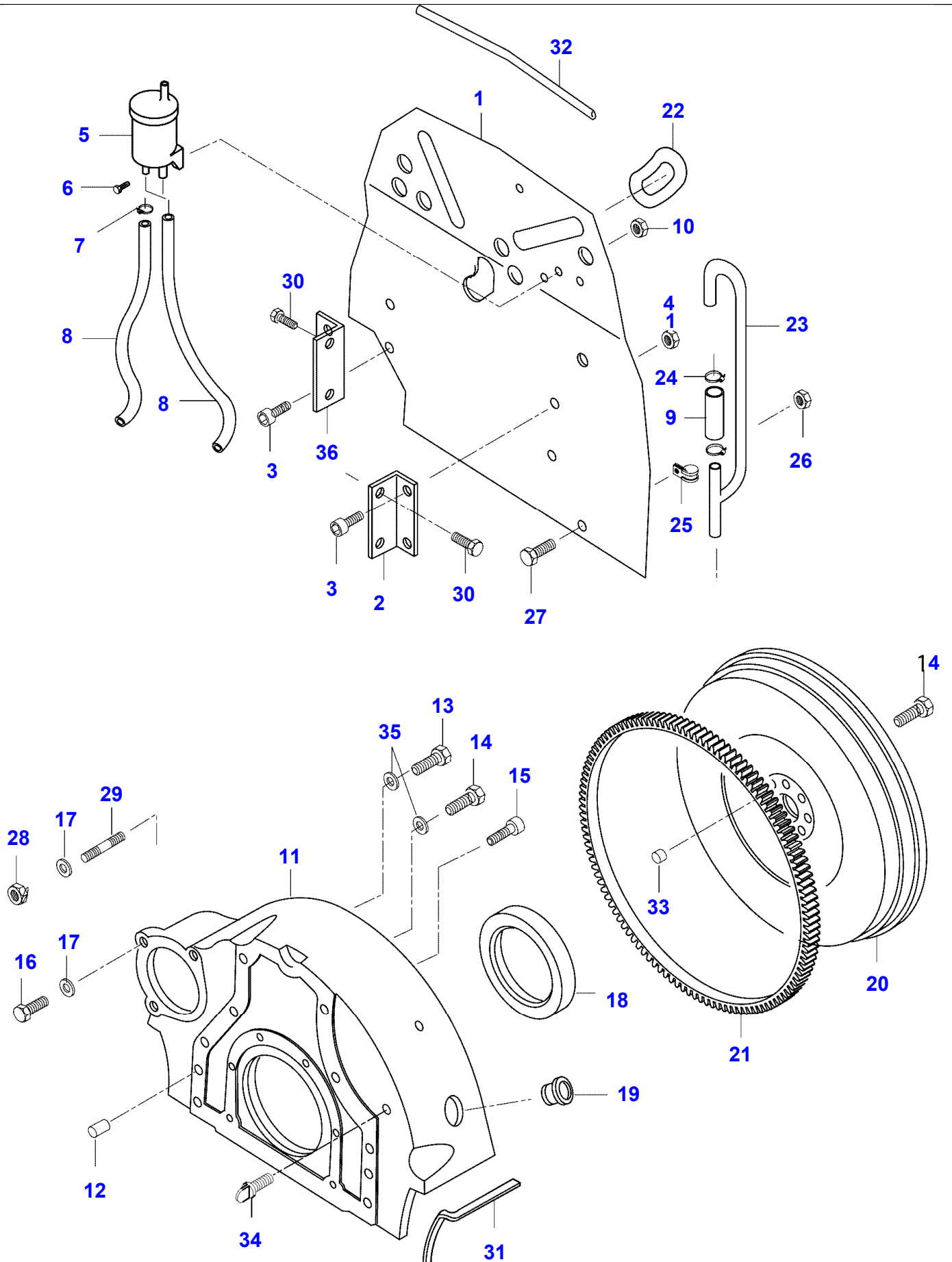
600 TRACTOR (600-900 SERIES)  
SPIMG-004-21-02



Item	Part Number	Qty	Description Comments	Technical Specification
1	V836664514	1	CYLINDER-BLOCK	
2	V836322610	1	CAMSHAFT BEARING BUSHING	
3	NS	3	NON-SERVICEABLE PART	
4	V836214478	6	BEARING COVER GUIDE SLEEVE	
5	NS	1	NON-SERVICEABLE PART	
6	V836214478	2	BEARING COVER GUIDE SLEEVE	
7	V835329030	8	HEX CAP SCREW	
8	V836647420	3	LINER	
	V836647933		LINER FLANGE S=9.08	FLANGE HEIGHT + 0.05 MM
	V836647934		LINER FLANGE S=9.13	FLANGE HEIGHT + 0.10 MM
	V836647935		LINER FLANGE S=9.23	FLANGE HEIGHT + 0.15 MM
	V836666550		CYLINDER BARREL VALTRA DO BRASIL UNITED STATES OF AMERICA	
9	V836647502	6	CYLINDER LINER O-RING S2	
10	V836647503	3	CYLINDER LINER O-RING S2	
11	V640016016	4	CUP PLUG S2	
12	V836529872	1	PLUG	
13	V836014334	1	OIL DIPSTICK GUIDE PIPE	
14	V640325110	2	SCREW PLUG	
15	V615571014	2	SEALING WASHER S2	
16	V887283760	1	PRESSURE SWITCH	
17	V528801362	2	HEX CAP SCREW -H3286(M)	
	V528801362	4	HEX CAP SCREW	
18	V836647400	1	COVER -H3286(M)	
	V836659543	1	COVER H3287-(M)	
19	V836647401	1	GASKET S2 -H3286(M)	
	V836659544	1	GASKET S2 H3287-(M)	
20	V640325018	2	PLUG	
21	V615881822	2	SEALING WASHER	
22	V836019756	1	PLUG	
23	V640016018	1	CUP PLUG	
24	V836647622	1	ENGINE BLOCK HEATER 750W	
25	V33550000	1	ROD CLAMP	
26	V836130361	1	CABLE L=500 -1999	
43	V33733700	1	CABLE MINI	L=1500
27	V836655927	1	BRACKET	

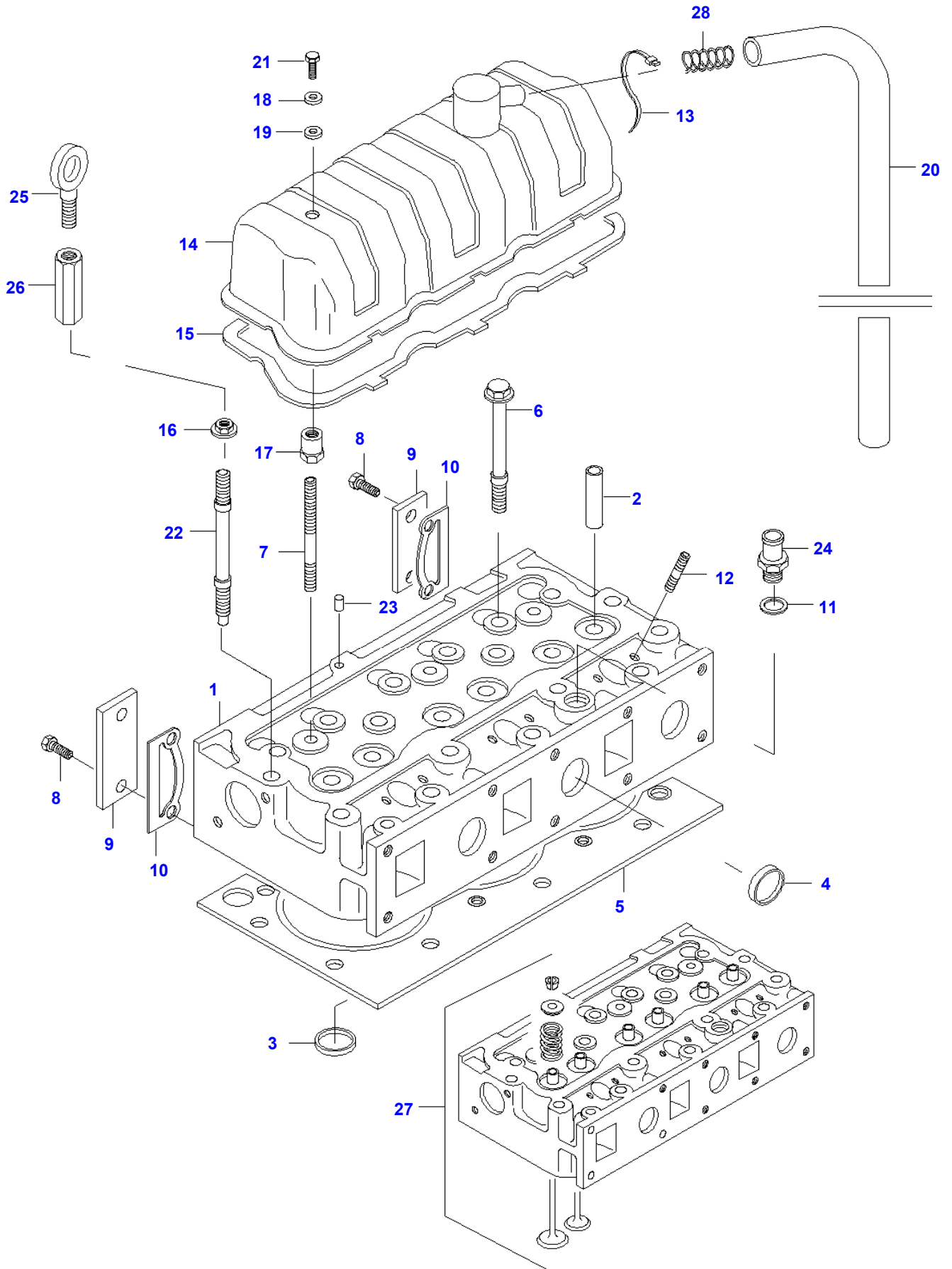
Item	Part Number	Qty	Description Comments	Technical Specification
28	V581805800	2	HEX SOCKET SCREW	
29	V572502582	3	SCREW	
30	V503050432	2	WASHER	
31	V504600402	3	NUT	
32	V836640357	1	SHORT BLOCK ENGINE	
33	V725930	1	WIRE	L=5000
			-1999	
	V63978300	1	CONNECTING WIRE	L=5000
			DENMARK	
			-1999	
	V725932	1	WIRE	L=5000
			FRANCE	
			-1999	
44	V33733800	1	WIRE	L=5000
			MINI	
	V33733900	1	WIRE	L=5000
			DENMARK	
			MINI	
	V33734000	1	WIRE	L=5000
			FRANCE	
			MINI	
34	V836640935	1	ENGINE BLOCK HEATER	
			600W 120V	
			CANADA	
35	V836640999	1	O-RING	
			.	
			CANADA	
36	V615881824	1	SEALING WASHER	
			S2	
37	V615881216	2	SEALING WASHER	
38	V640305012	2	PLUG	
39	V33734100	1	SLEEVE BUSHING	
40	VHN6816	1	SCREW	B 4.2 X 30 SFS-ISO_7049
41	VJD9019	2	WASHER	A 4.3 X 0.5 DIN6798
42	V640016040	1	CUP PLUG	
	V836640289	1	ENGINE GASKET KIT	
			S1	
	V836640356	1	ENGINE GASKET KIT	
			S1+S2	

600 TRACTOR (600-900 SERIES)  
SPIMG-004-21-06



Item	Part Number	Qty	Description Comments	Technical Specification
1	V836659619	1	FLYWHEEL HOUSING -J12659(M)	
	V836664018	1	FLYWHEEL HOUSING J12660-(M)	
2	V836659279	1	BRACKET LEFT	
36	V836659278	2	BRACKET RIGHT	
3	V581804582	4	HEX SOCKET SCREW	
4	V504800800	4	NUT	
5	V835324375	1	RESERVOIR SEE PAGE 01-0011	
6	V528800762	2	HEX CAP SCREW	
7	V602066609	4	HOSE CLIP	
8	V836136702	2	RUBBER HOSE L=160 -J12659(M)	
	V836655792	1	RUBBER HOSE L=320 J12660-(M)	
9	V835328356	1	RUBBER HOSE L=40	
10	V510600502	2	NUT	
11	V836752443	1	FLYWHEEL HOUSING	
12	V598359850	2	PIN	
13	V581705440	2	HEX SOCKET SCREW	
14	V528702220	14	HEX CAP SCREW	
15	V581705030	6	HEX SOCKET SCREW	
16	V528801800	3	HEX CAP SCREW	
17	V500951000	3	SPRING WASHER	
18	V614500002	1	CRANKSHAFT SEAL S2	
19	V836428065	1	RUBBER PLUG D=38	
	V836007572	1	RUBBER PLUG D=25	
20	V836538043	1	FLYWHEEL	
21	V836014127	1	ANNULAR GEAR	
23	V836759585	1	PIPE SEE PAGE 01-0011	
24	V602066612	2	HOSE CLIP	
25	V602074610	2	HOSE CLIP	
26	V504600502	2	NUT	
27	V528800802	2	HEX CAP SCREW	
30	V528801760	2	HEX CAP SCREW	
31	V31085600	1	GASKET LEFT	
	V31085500	1	GASKET RIGHT	
32	V30229000	1	GASKET	L=1200MM
33	V836659527	1	GUIDE SLEEVE	
34	V836859311	1	PLUG	
35	V500951200	8	SPRING WASHER	

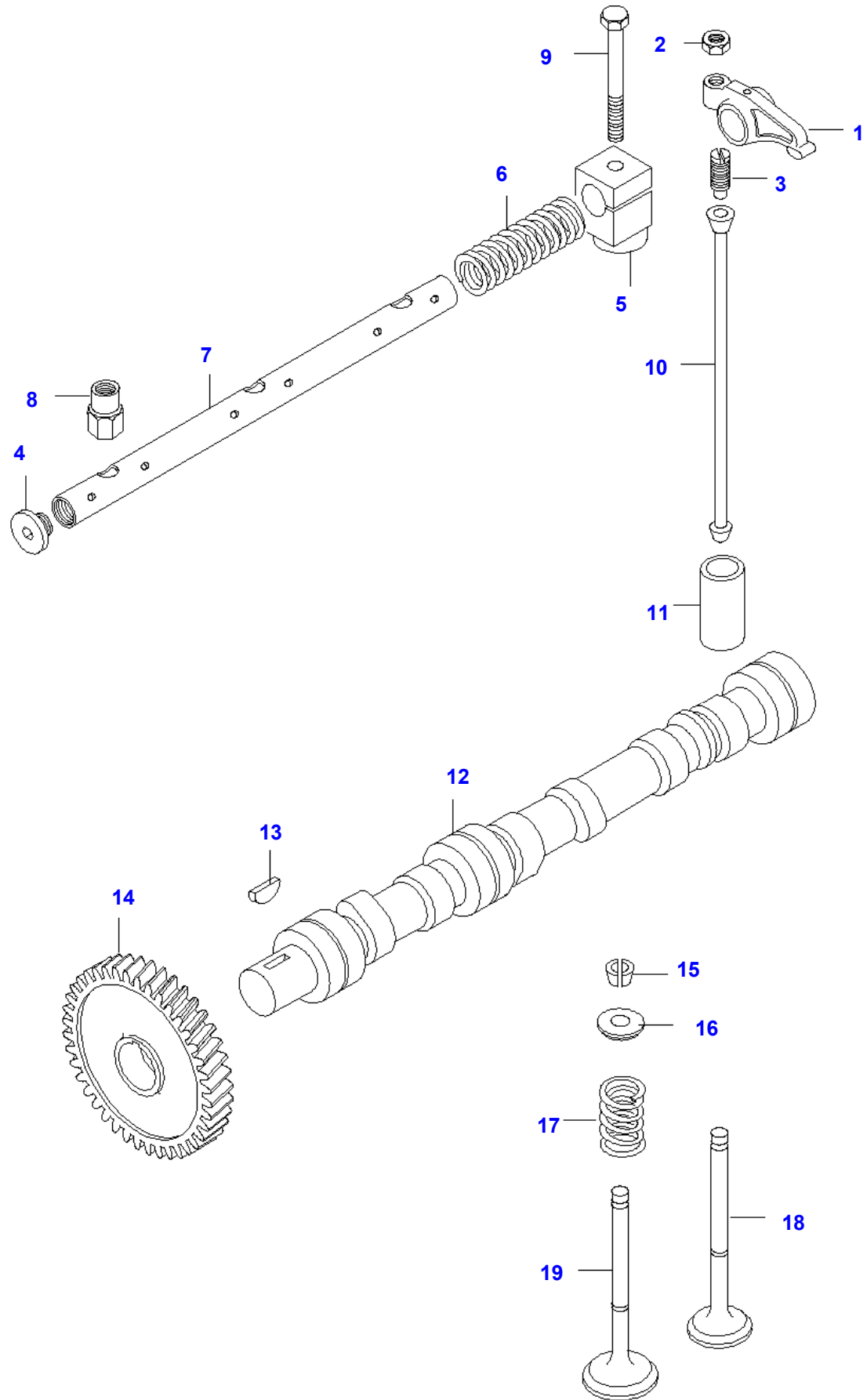
600 TRACTOR (600-900 SERIES)  
SPIMG-004-21-08





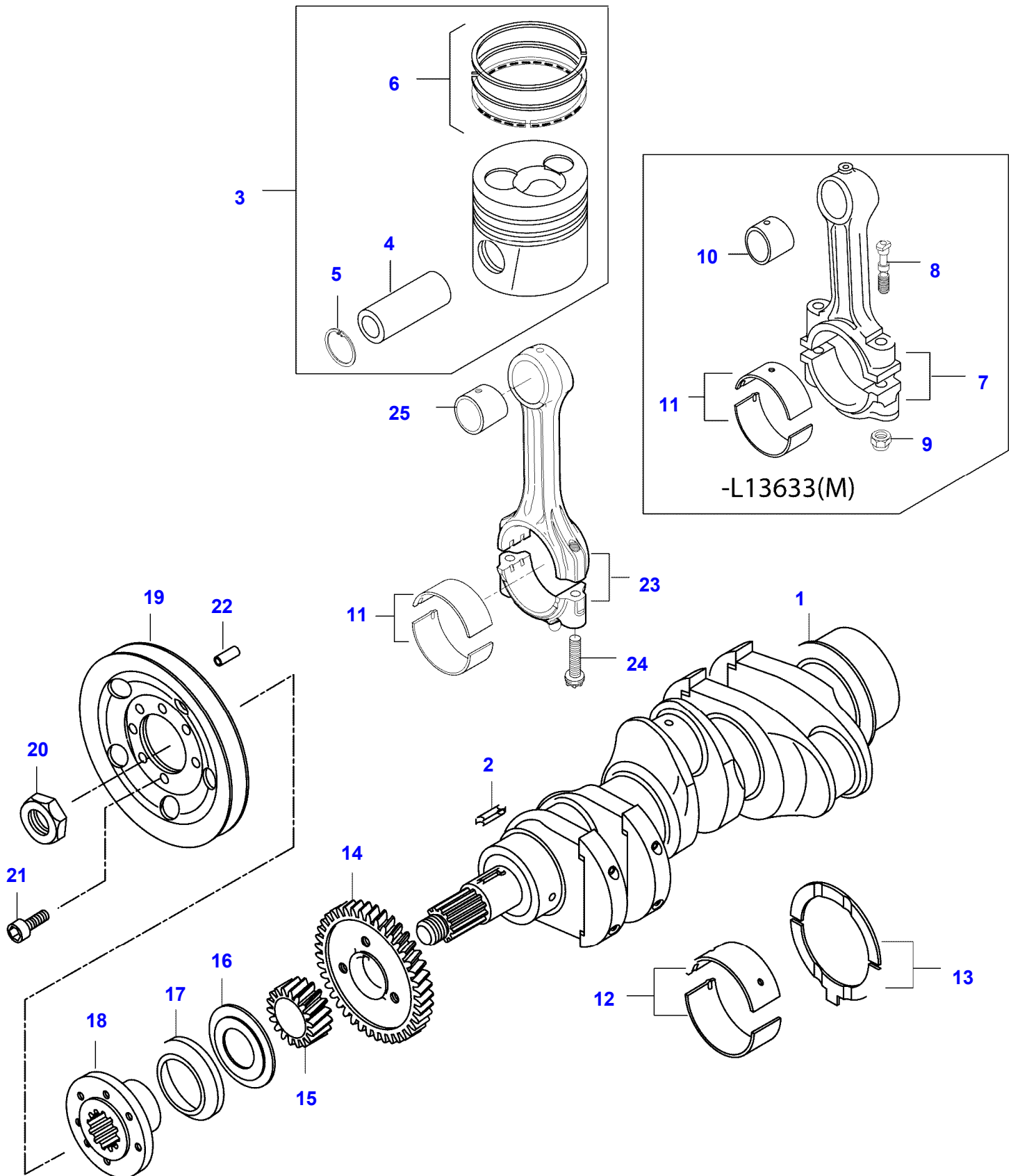
Item	Part Number	Qty	Description Comments
1	V836655379	1	CYLINDER HEAD
2	V836647601	6	GUIDE
3	V836647600	3	VALVE SEAT
4	V836647942	5	CUP PLUG
5	V836664155	1	CYLINDER HEAD GASKET S1
6	V836859104	15	HEXAGON FLANGE BOLT -K3020(M)
	V836859104	16	HEXAGON FLANGE BOLT K3021-(M)
7	V546801900	2	STUD BOLT
8	V528801800	4	HEX CAP SCREW
9	V836855350	2	BLOCK OFF PLATE
10	V836855417	2	GASKET S1
11	V615881822	1	SEALING WASHER S1
12	V546901435	6	STUD BOLT
13	V835329746	1	CABLE TIE
14	V836646359	1	VALVE ROCKER COVER
15	V836646360	1	VALVE ROCKER COVER GASKET S1
16	V836859110	2	NUT -K3020(M)
	V836859110	1	NUT K3021-(M)
17	V836655406	2	SLEEVE NUT
18	V836119855	2	WASHER
19	V836012841	2	RUBBER BUSHING S1
20	V836647814	1	RUBBER HOSE
21	V528801780	2	HEX CAP SCREW
22	V836859109	2	STUD BOLT -K3020(M)
	V836859109	1	STUD BOLT K3021-(M)
23	V595959140	1	PIN
24	V836119837	1	HOSE COUPLER
25	V836640252	1	LIFT EYE
26	V836647835	1	LIFTING EYE EXTENSION
27	V836640853	1	CYLINDER HEAD
28	V836659103	1	SPRING

600 TRACTOR (600-900 SERIES)  
SPIMG-004-21-12



Item	Part Number	Qty	Description Comments
	V836666610	1	ROCKER SHAFT ASM
1	V836666608	6	ROCKER ARM
			.
2	V512861000	6	NUT
			..
3	V836655866	6	ADJUSTING SCREW
			..
4	V836655899	2	PLUG
			.
5	V836655869	3	BRACKET
			.
	V836666609	3	BRACKET
			.
			M5020-(M)
6	V836655884	2	SPRING
			.
7	V836655870	1	SHAFT
			.
8	V836655406	2	SLEEVE NUT
9	V529801910	1	HEX CAP SCREW
10	V836655867	6	PUSHROD
11	V836014264	6	TAPPET
12	V836646374	1	CAMSHAFT
13	V603305760	1	WOODRUFF KEY
14	V836646389	1	GEAR,CAMSHAFT
15	V836646382	12	COTTER
16	V836646381	6	WASHER
17	V836646380	6	SPRING
18	V836646357	3	EXHAUST VALVE
19	V836646356	3	INTAKE VALVE

600 TRACTOR (600-900 SERIES)  
SPIMG-004-21-16

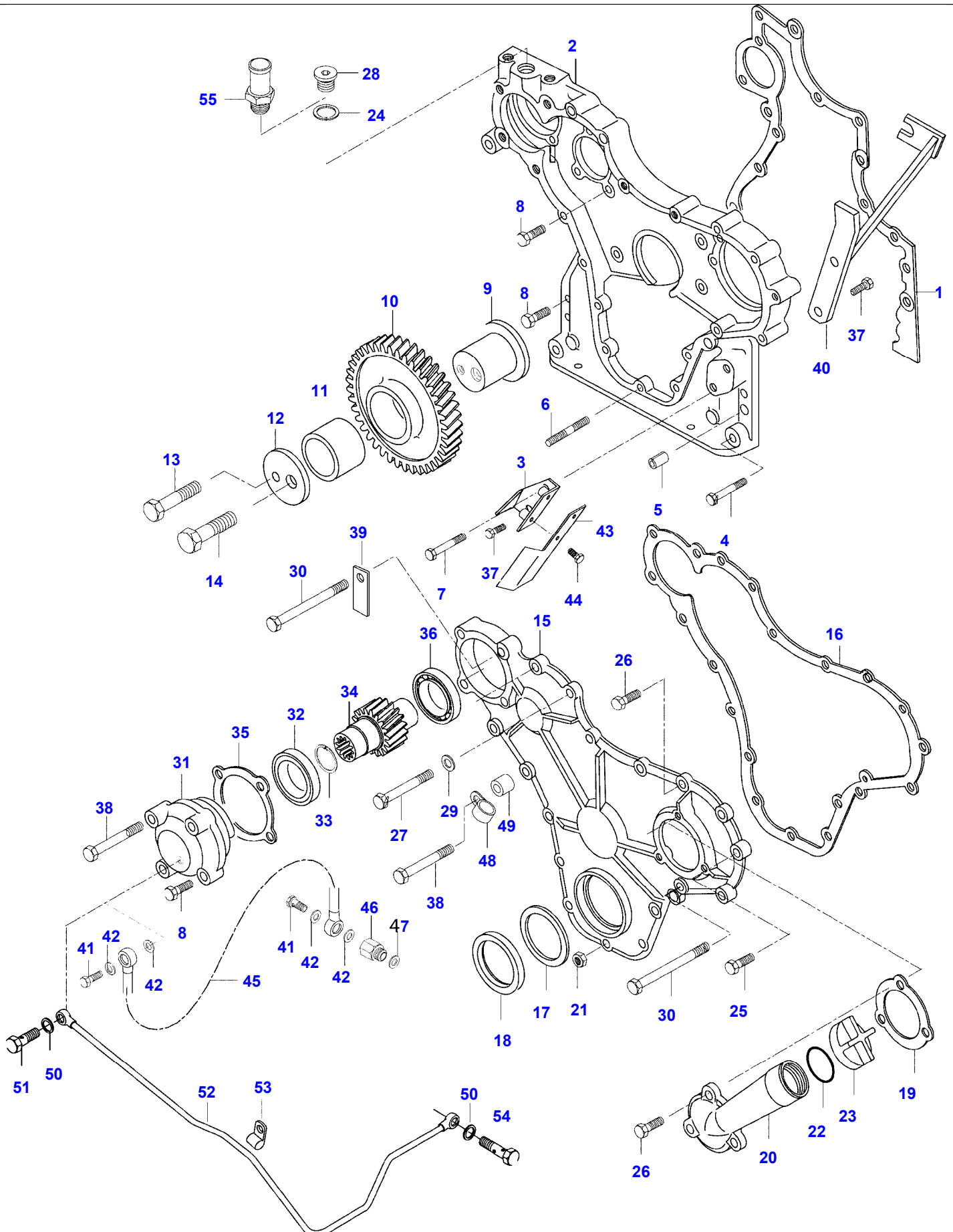


Item	Part Number	Qty	Description Comments	Technical Specification
1	V836647314	1	CRANKSHAFT	
2	V603345110	1	KEY	
3	V836655269	3	KIT, PISTON -L10347(M)	
	V836659702	3	PISTON L10348-(M)	
4	NS	3	NON-SERVICEABLE PART . PISTON PIN	
5	NS	6	NON-SERVICEABLE PART . CIRCLIP	
6	V836640126	3	PISTON RING KIT .	
7	V836640968	1	CONNECTING ROD KIT	
	V82659700	1	CONNECTING ROD KIT VALTRA DO BRASIL UNITED STATES OF AMERICA	
	V836647460	3	CONROD 2150-2169 G X -L13633(M)	
	V836652104		CONROD 2170-2189 G A -L13633(M)	
	V836652105		CONROD 2190-2209 G B -L13633(M)	
	V836652106		CONROD 2210-2229 G C -L13633(M)	
	V836652107		CONROD 2230-2249 G D -L13633(M)	
	V836652108		CONROD 2250-2269 G E -L13633(M)	
	V836652109		CONROD 2270-2289 G H -L13633(M)	
	V836652110		CONROD 2290-2309 G I -L13633(M)	
	V836652111		CONROD 2310-2329 G J -L13633(M)	
	V836652112		CONROD 2330-2349 G K -L13633(M)	
	V836652113		CONROD 2350-2369 G L -L13633(M)	
	V836652114		CONROD 2370-2389 G M -L13633(M)	
	V836652115		CONROD 2390-2409 G N -L13633(M)	
	V836652116		CONROD 2410-2429 G O -L13633(M)	
	V836652117		CONROD 2430-2449 G P -L13633(M)	
	V836652118		CONROD 2450-2469 G R -L13633(M)	

Item	Part Number	Qty	Description Comments	Technical Specification
	V836652119		CONROD 2470-2489 G S -L13633(M)	
	V836652120		CONROD 2490-2509 G T -L13633(M)	
	V836652121		CONROD 2510-2529 G U -L13633(M)	
23	NS		NON-SERVICEABLE PART CONNECTING ROD 1935-1954 G F L13634-(M)	
	NS		NON-SERVICEABLE PART CONNECTING ROD 1955-1974 G V L13634-(M)	
	NS		NON-SERVICEABLE PART CONNECTING ROD 1975-1994 G X L13634-(M)	
	NS		NON-SERVICEABLE PART CONNECTING ROD 1995-2014 G Y L13634-(M)	
	NS		NON-SERVICEABLE PART CONNECTING ROD 2015-2034 G W L13634-(M)	
	NS		NON-SERVICEABLE PART CONNECTING ROD 2035-2054 G Z L13634-(M)	
	NS		NON-SERVICEABLE PART CONNECTING ROD 2055-2074 G G L13634-(M)	
8	V836646204	6	CONNECTING ROD BOLT . -L13633(M)	
24	V836864141	6	CONNECTING ROD BOLT . L13634-(M)	
9	V836646205	6	NUT . -L13633(M)	
10	V836646271	3	BEARING BUSH . -L13633(M)	
25	V836110646	3	BEARING BUSH . L13634-(M)	STD
11	V836110552	3	BEARING SHELL SEE PAGE 01-0028	
12	V836655514	4	MAIN BEARING SEE PAGE 01-0028	
13	V836119459	2	THRUST WASHER SEE PAGE 01-0028	
14	V836117650	1	GEAR -L20629(M) Z=51	
	V836120019	1	GEAR,CRANKSHAFT L20630-(M) Z=55	
15	V836122840	1	GEAR,CRANKSHAFT	
16	V836129781	1	RING	

<b>Item</b>	<b>Part Number</b>	<b>Qty</b>	<b>Description Comments</b>	<b>Technical Specification</b>
17	V836136271	1	SHIELD	
18	V836846463	1	CRANKSHAFT HUB	
19	V836655449	1	CRANKSHAFT V-BELT PULLEY	
20	V836647310	1	CRANKSHAFT NUT	
21	V581804600	6	HEX SOCKET SCREW	
22	V595953360	1	PIN	

600 TRACTOR (600-900 SERIES)  
SPIMG-004-21-20

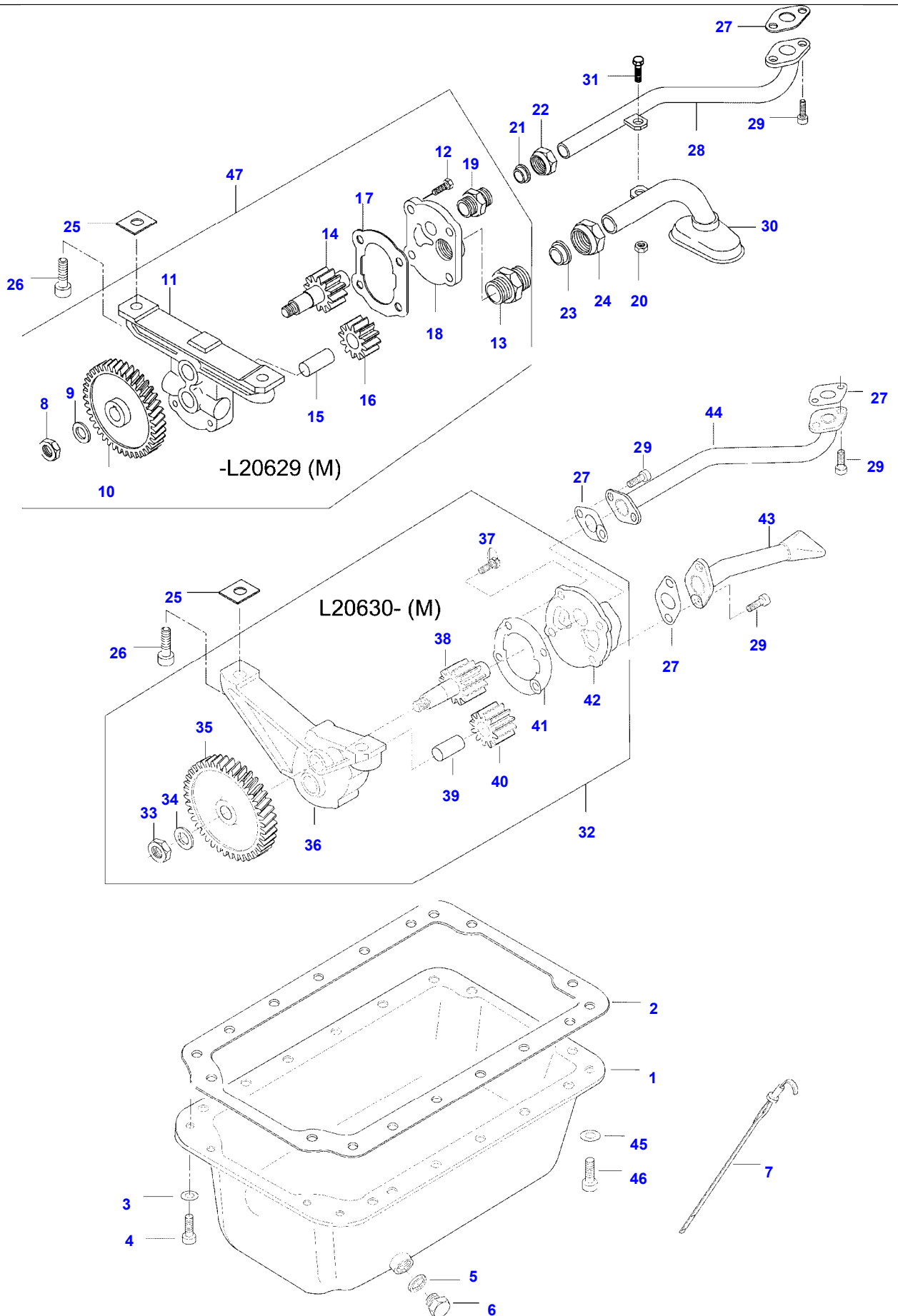




Item	Part Number	Qty	Description Comments
1	V836647419	1	GASKET S2
2	V836647407	1	TIMING GEAR CASE
3	V836655720	1	TIMING MARK INDICATOR
4	V529801440	2	HEX CAP SCREW
5	V598359850	4	PIN
6	V546801380	5	STUD BOLT
7	V529801450	1	HEX CAP SCREW
8	V528801400	10	HEX CAP SCREW
9	V836766127	1	SHAFT
	V836138354	1	IDLER GEAR ASSEMBLY
10	NS	1	NON-SERVICEABLE PART . GEAR
11	V836139039	1	BUSHING .
12	V836129845	1	FLANGE
13	V528801910	1	SCREW
14	V529902720	1	HEX CAP SCREW
15	V836647575	1	GEAR HOUSING FRONT COVER
16	V835336796	1	GASKET S2
17	V836129782	1	COVER
18	V614105880	1	OIL SEAL S2
19	V836129946	1	GASKET S2
20	V835338325	1	ENGINE OIL FILL PIPE
21	V504800800	5	NUT
22	V614603540	1	O-RING S2
23	V836017927	1	CAP
	V836655188	1	CAP INCLUDES CHAIN
24	V615881822	1	SEALING WASHER S2
25	V528801420	2	HEX CAP SCREW
26	V528801382	5	HEX CAP SCREW
27	V529801470	3	HEX CAP SCREW
28	V640325018	1	PLUG
29	V836120989	1	WASHER
30	V529801500	2	HEX CAP SCREW
	V836655232	1	DRIVE ASSEMBLY -K17877(M)
	V836666028	1	DRIVE ASSEMBLY K17878-(M)
31	V836655230	1	BEARING HOUSING . -K17877(M)
	V836664542	1	BEARING HOUSING . K17878-(M)
32	V610060096	1	BALL BEARING
33	V617330031	1	LOCK RING .
34	V836120880	1	SHAFT .
35	V835336793	1	GASKET S2
36	V610060096	1	BALL BEARING
37	V528801362	3	HEX CAP SCREW
38	V529801460	4	HEX CAP SCREW

Item	Part Number	Qty	Description Comments
39	V836083428	1	CABLE TIE
41	V528801042	1	HEX CAP SCREW -1998
	V835331289	2	BANJO BOLT
42	V615870610	4	SEALING WASHER
43	V836659093	1	SHIELD
44	V528801082	2	HEX CAP SCREW
45	V836655234	1	HOSE
46	V836655233	1	UNION
47	V615571014	1	SEALING WASHER
48	V602060612	1	RETAINER CLAMP
49	V836119296	1	SPACER PIECE
50	V615571014	4	SEALING WASHER K17878-(M)
51	V836664212	1	BANJO BOLT K17878-(M)
52	V836664543	1	OIL PIPE K17878-(M)
53	V836009683	1	RETAINER CLAMP K17878-(M)
54	V835330966	1	BANJO BOLT K17878-(M) [A] [A] LINE PUMP

600 TRACTOR (600-900 SERIES)  
SPIMG-004-21-22



Item	Part Number	Qty	Description Comments
1	V836664336	1	OIL SUMP
2	V836006704	1	GASKET -L5723(M) S2
	V836664515	1	GASKET L5724-(M)
3	V500950800	18	SPRING WASHER -L5723(M)
	V500950800	4	SPRING WASHER L5724-(M)
45	V500951032	14	SPRING WASHER L5724-(M)
4	V528801362	18	HEX CAP SCREW -L5723(M)
	V581804580	4	HEX SOCKET SCREW L5724-(M)
46	V581804980	14	HEX SOCKET SCREW L5724-(M)
5	V836655490	1	SEALING WASHER S2 -H3927(M)
	V615881827	1	SEALING WASHER S2 H3928- (M)
6	V836655492	1	PLUG -H3927(M)
	V836655493	1	PLUG H3928- (M)
7	V836014330	1	DIPSTICK
47	V836652602	1	LUBRICATING OIL PUMP ASSEMBLY -L20629(M)
8	V504861000	1	NUT . -L20629(M)
9	V836122910	1	WASHER . -L20629(M)
10	V836652595	1	GEAR . -L20629(M)
11	V836014197	1	HOUSING . -L20629(M)
12	V528801380	4	HEX CAP SCREW . -L20629(M)
13	V836183814	1	FRAME . -L20629(M)
14	V836652598	1	OIL PUMP SHAFT . -L20629(M)
15	V836010166	1	OIL PUMP SHAFT . -L20629(M)
16	V836010164	1	GEAR,OIL PUMP . -L20629(M)
17	V836014198	1	GASKET . S2 -L20629(M)
18	V836117653	1	COVER . -L20629(M)

Item	Part Number	Qty	Description Comments
19	V836082264	1	UNION .
			-L20629(M)
20	V504600602	1	NUT .
			-L20629(M)
21	V836082276	1	RING .
			-L20629(M)
22	V836082277	1	NUT .
			-L20629(M)
23	V836183816	1	RING .
			-L20629(M)
24	V836428338	1	NUT .
			-L20629(M)
25	V836007871	X	SHIM
26	V581705050	2	HEX SOCKET SCREW
27	V836008449	1	GASKET S2 .
			-L20629(M)
	V836008449	3	GASKET S2 L20630-(M)
28	V836647565	1	OIL PIPE .
			-L20629(M)
29	V581804600	2	HEX SOCKET SCREW .
			-L20629(M)
	V581804600	6	HEX SOCKET SCREW L20630-(M)
30	V836647570	1	OIL PUMP SUCTION PIPE .
			-L20629(M)
31	V528801082	1	HEX CAP SCREW
32	V836652604	1	LUBRICATING OIL PUMP ASSEMBLY L20630-(M)
33	V504861000	1	NUT .
			L20630-(M)
34	V836122910	1	WASHER .
			L20630-(M)
35	V836652596	1	GEAR .
			L20630-(M)
36	V836120195	1	HOUSING .
			L20630-(M)
37	V528801380	4	HEX CAP SCREW .
			L20630-(M)
38	V836652600	1	OIL PUMP SHAFT .
			L20630-(M)
39	V836120191	1	OIL PUMP SHAFT .
			L20630-(M)
40	V836120193	1	GEAR .
			L20630-(M)
41	V836119796	1	GASKET .
			S2 L20630-(M)
42	V836119794	1	COVER .
			L20630-(M)
43	V836664495	1	OIL PUMP SUCTION PIPE L20630-(M)

---

Valtra

600 TRACTOR (600-900 SERIES)

VF69600

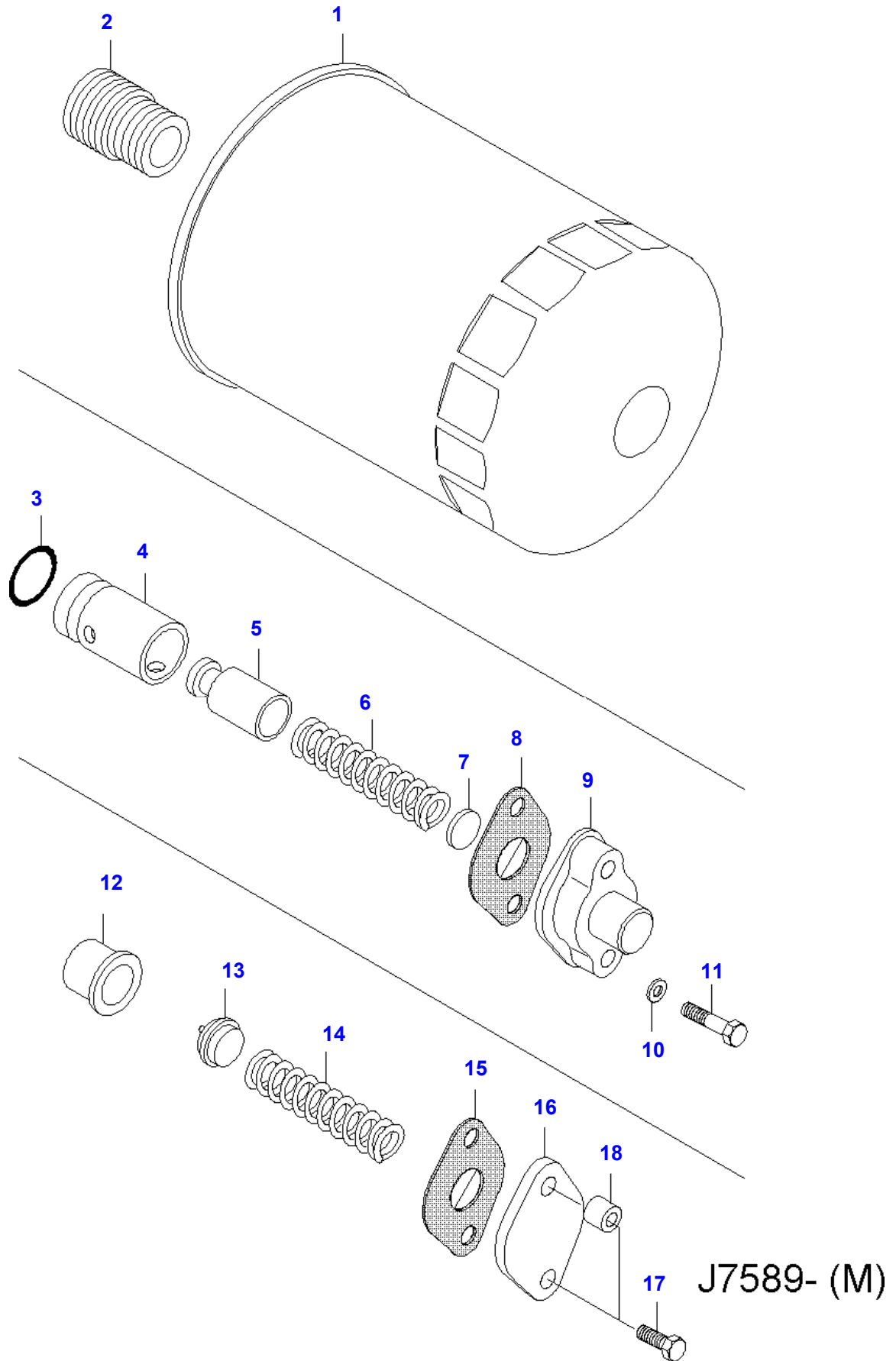
OIL SUMP

Page01-0007

---

Item	Part Number	Qty	Description Comments
44	V836659624	1	OIL PIPE L20630-(M)

600 TRACTOR (600-900 SERIES)  
SPIMG-004-21-26



Item	Part Number	Qty	Description Comments
1	V20136346	1	OIL FILTER
2	V836647404 V835340042	1	UNION OIL PRESSURE CONTROL VALVE ASSEMBLY -J7588(M)
3	V614601524	1	O-RING . S2
4	V836117834	1	CYLINDER .
5	V836338850	1	OIL PRESSURE CONTROL VALVE .
6	V836117836	1	SPRING .
7	V836020290	1	INJECTOR SHIM .
8	V836322190	1	GASKET . S2
9	V836129849	1	COVER
10	V500950800	1	SPRING WASHER
11	V528801420 V836662129	2	HEX CAP SCREW OIL PRESSURE CONTROL VALVE ASSEMBLY J7589-(M)
12	V836659521	1	VALVE SEAT .
13	V836659522	1	VALVE CONE .
14	V836659523	1	SPRING .
15	V836322190	1	GASKET .
16	V836659524	1	COVER .
17	V528801380	2	HEX CAP SCREW .
18	V836136337	1	SPACER PIECE .





Item	Part Number	Qty	Description Comments	Technical Specification
	V33391000	1	AIR FILTER ASSEMBLY	D=225
1	V20228310	1	AIR FILTER	D=165 L=380
2	V20228410	1	FILTER ELEMENT	D=85 L=370
3	NS	1	NON-SERVICEABLE PART	
22	VJC1610	1	HOUSING BLADE NUT	M10 DIN315 G5 ZNE
23	VJB8905	2	LOCKNUT	M10 SFS_EN_ISO_10511
4	VHC9621	2	HEX SOCKET SCREW	M8X12 SFS_EN_ISO_4762 8.8
5	VJD0408	2	WASHER	M8
6	VGP3933	1	HOSE CLIP	D=95 SMS2298
7	V33431500	1	TUBE	
8	VGP3933	2	HOSE CLIP	D=95 SMS2298
10	VGP3942	3	HOSE CLIP	D=75 SMS2298
14	V75011500	1	RUBBER INLET	D=40/3
15	V33389600	1	SENSOR AIR FILTER	6.5 KPA
17	V33390100	1	TUBE	
18	V33469100	1	TUBE -J46100	
24	V33751600	1	TUBE J46101-	
19	V32479600	1	RUBBER TUBE -J46100	
25	V34039800	1	RUBBER TUBE J46101-	
20	V33480000	1	VALVE	

Thank you so much for reading.  
Please click the “Buy Now!”  
button below to download the  
complete manual.



After you pay.

You can download the most  
perfect and complete manual in  
the world immediately.

Our support email:

[ebooklibonline@outlook.com](mailto:ebooklibonline@outlook.com)