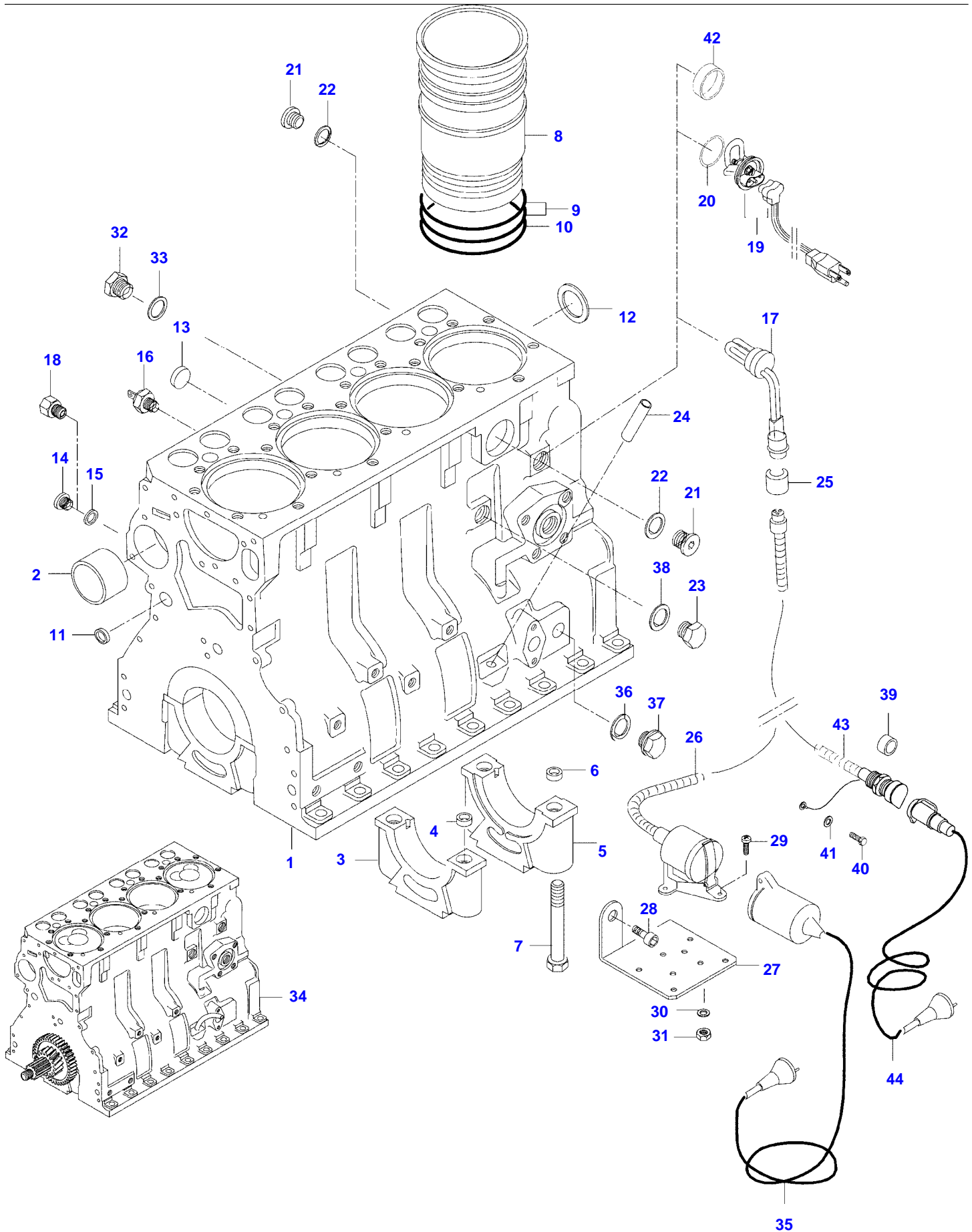


Page Number	Page Title	Page Reference
01-000-TOC	ENGINE, FUEL AND EXHAUST SYSTEM	01-000-TOC
02-000-TOC	AXLES	02-000-TOC
03-000-TOC	STEERING SYSTEM	03-000-TOC
04-000-TOC	DRIVE TRAIN SYSTEM	04-000-TOC
05-000-TOC	BRAKE SYSTEM	05-000-TOC
06-000-TOC	COMPRESSED AIR SYSTEM	06-000-TOC
07-000-TOC	HYDRAULIC SYSTEM	07-000-TOC
08-000-TOC	ELECTRICAL SYSTEM	08-000-TOC
09-000-TOC	CAB	09-000-TOC
10-000-TOC	AIR CONDITIONING AND HEATING SYSTEM	10-000-TOC
11-000-TOC	CHASSIS	11-000-TOC
12-000-TOC	DECALS	12-000-TOC
13-000-TOC	WHEELS	13-000-TOC
14-000-TOC	IMPLEMENT DRIVE SYSTEM	14-000-TOC
15-000-TOC	IMPLEMENT LIFT SYSTEM FRONT	15-000-TOC
16-000-TOC	IMPLEMENT LIFT SYSTEM REAR	16-000-TOC
17-000-TOC	ATTACHMENTS	17-000-TOC
18-000-TOC	GENERAL INFORMATION	18-000-TOC

Page Number	Page Title	Page Reference
01-0001	CYLINDERBLOCK	21-04
01-0002	FLYWHEEL AND HOUSING	21-06
01-0003	CYLINDER HEAD	21-10
01-0004	VALVE MECHANISM	21-14
01-0005	CRANK MECHANISM	21-18
01-0006	GEAR HOUSING	21-20
01-0007	OIL SUMP	21-24
01-0008	OIL FILTER	21-26
01-0009	AIR CLEANER	21-28
01-0010	TURBO-CHARGER	21-32
01-0011	INTAKE- AND EXHAUST PIPE	21-36
01-0012	MUFFLER	1923637
01-0013	FEED PUMP	22-04
01-0014	FUEL FILTER	22-08
01-0015	FUEL FILTER	22-08A
01-0016	PREFILTER, FUEL	22-10
01-0017	PREFILTER, FUEL	22-10A
01-0018	FUEL PIPES	22-12
01-0019	FUEL PIPES	22-12A
01-0020	INJECTION PUMP	22-16
01-0021	INJECTION PUMP VALTRA DO BRASIL	22-16A
01-0022	INJECTOR, DISTRIBUTOR PUMP	22-18
01-0023	SPEED LEVERS	22-20
01-0024	SPEED LEVERS VALTRA DO BRASIL	22-20A
01-0025	SPEED LEVERS, FOREST	22-22
01-0026	RADIATOR	23-02
01-0027	COOLANT PUMP -J17504(M)	23-04
01-0028	COOLANT PUMP	23-04A
01-0029	COOLANT PUMP J17505-(M) J10179(M)-J10187(M) J10191(M)-J10193(M) J12660(M)-J12671(M) J16187(M) J16726(M) J16747(M) J16751(M)	23-06
01-0030	STARTERMOTOR -J6773(M)	31-02
01-0031	STARTERMOTOR J6774-(M)	31-02A
01-0032	STARTERMOTOR	31-02B
01-0033	ALTERNATOR -J6773(M)	31-04
01-0034	ALTERNATOR J6774-(M)	31-04A
01-0035	ENGINE REPAIR KIT AND BEARINGS	28-10

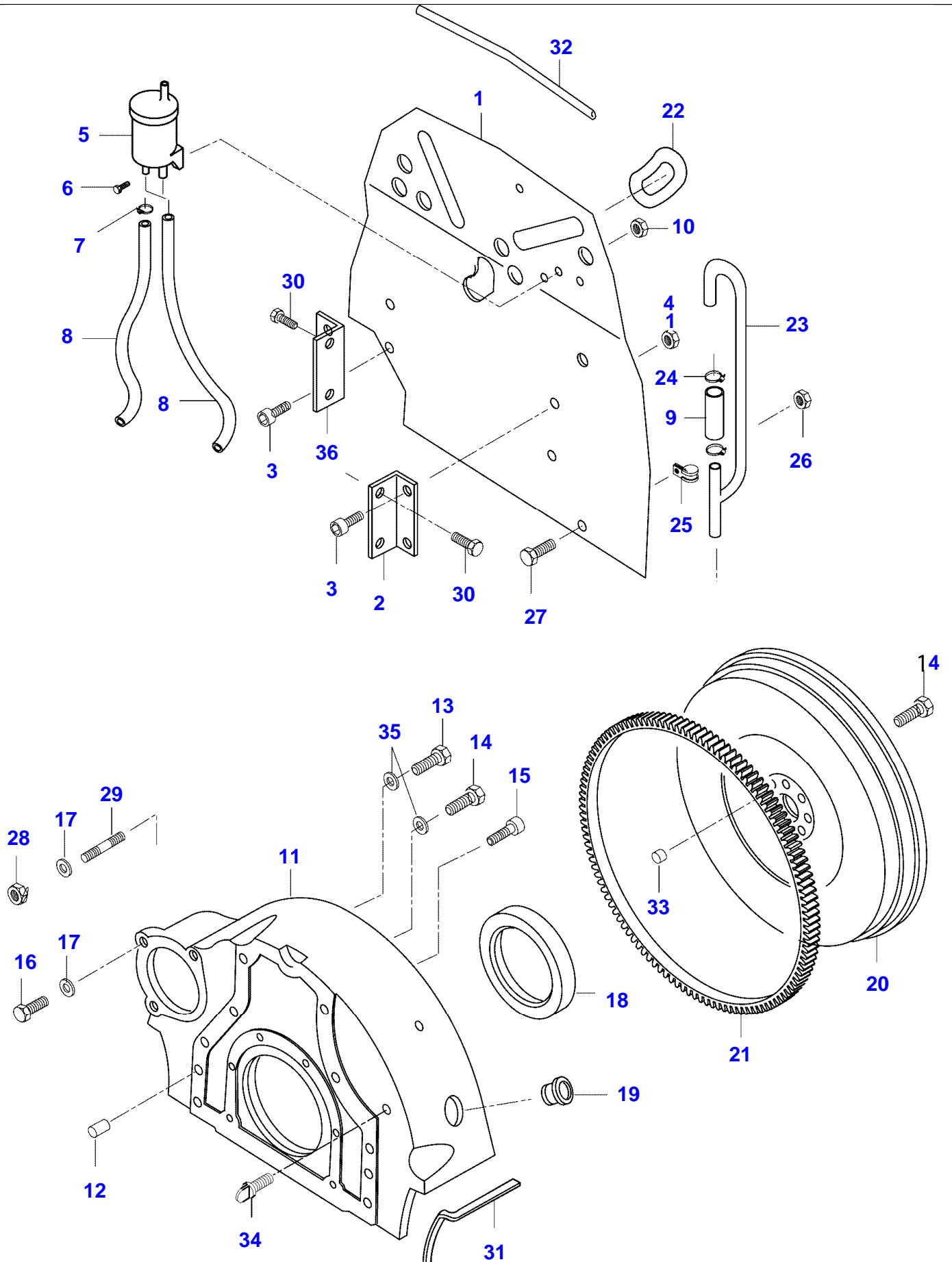
800E TRACTOR (600-900 SERIES)
SPIMG-004-21-04



Item	Part Number	Qty	Description Comments	Technical Specification
1	V836747170	1	CYLINDER-BLOCK	
2	V836322610	1	CAMSHAFT BEARING BUSHING	
3	NS	4	NON-SERVICEABLE PART	
4	V836214478	8	BEARING COVER GUIDE SLEEVE	
5	NS	1	NON-SERVICEABLE PART	
6	V836214478	2	BEARING COVER GUIDE SLEEVE	
7	V835329030	10	HEX CAP SCREW	
8	V836647420	4	LINER	
	V836647933		LINER FLANGE S=9.08	FLANGE HEIGHT + 0.05 MM
	V836647934		LINER FLANGE S=9.13	FLANGE HEIGHT + 0.10 MM
	V836647935		LINER FLANGE S=9.23	FLANGE HEIGHT + 0.15 MM
9	V836647502	8	CYLINDER LINER O-RING S2	
10	V836647503	4	CYLINDER LINER O-RING S2	
11	V640016016	4	CUP PLUG	
12	V836529872	1	PLUG	
13	V640016018	1	CUP PLUG	
14	V640325110	2	SCREW PLUG	
15	V615571014	2	SEALING WASHER S2	
16	V887283760	1	PRESSURE SWITCH	
17	V836647622	1	ENGINE BLOCK HEATER 750W	
18	V836655736	1	UNION	
19	V836640935	1	ENGINE BLOCK HEATER 600W 120V CANADA	
20	V836640999	1	O-RING CANADA	
21	V640325018	2	PLUG	
22	V615881822	2	SEALING WASHER	
23	V836019756	1	PLUG	
24	V836014334	1	OIL DIPSTICK GUIDE PIPE	
25	V33550000	1	ROD CLAMP	
26	V836130361	1	CABLE L=500 -1999	
43	V33733700	1	CABLE MINI	L=1500
27	V836655927	1	BRACKET	
28	V581805800	2	HEX SOCKET SCREW	
29	V572502582	3	SCREW	
30	V503050432	2	WASHER	
31	V504600402	3	NUT	
32	V836119079	1	PLUG	
33	V615881620	1	SEALING WASHER S2	
34	V862640001	1	REMANUFACTURED SHORT BLOCK ENGINE	
35	V725930	1	WIRE -1999	L=5000

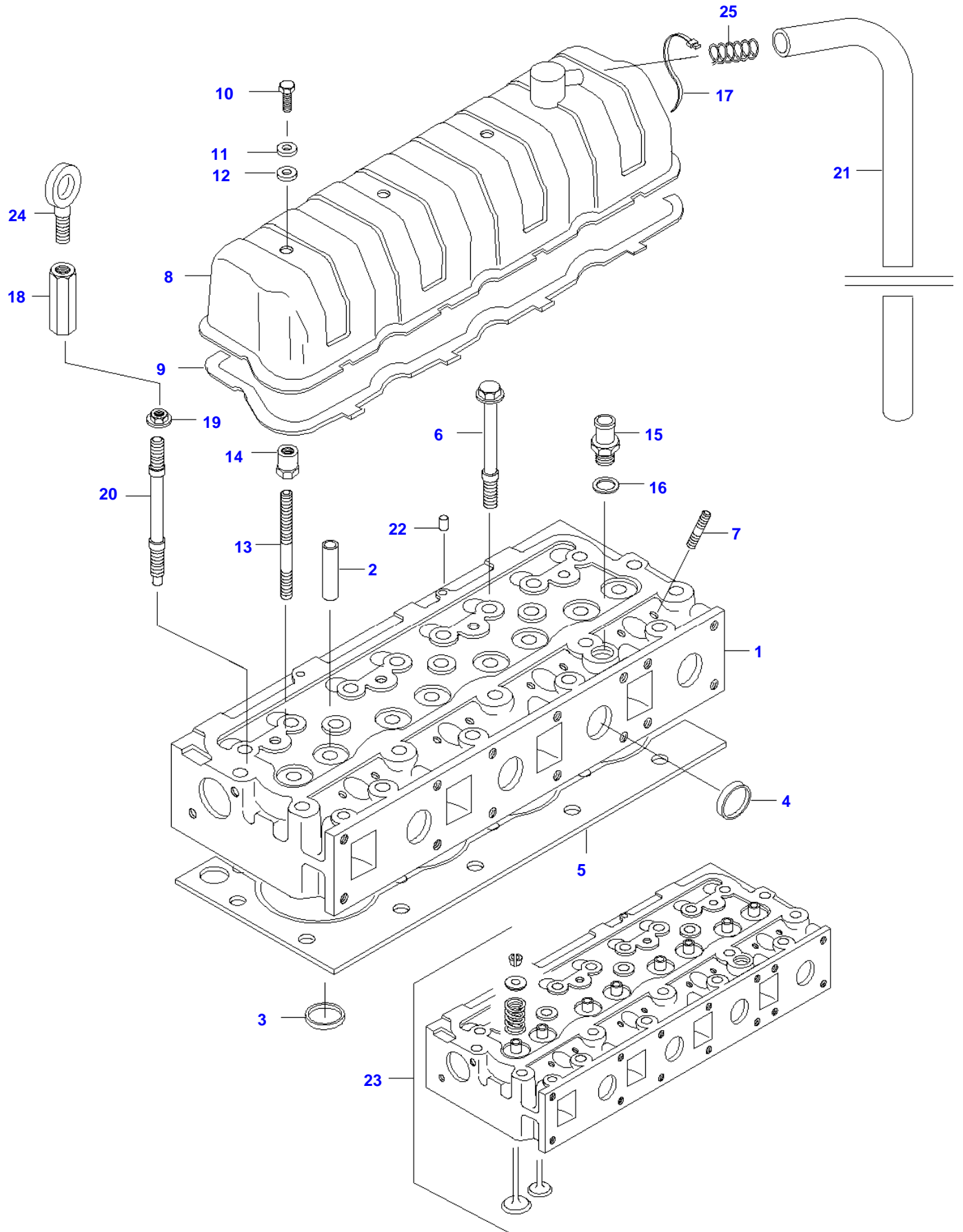
Item	Part Number	Qty	Description Comments	Technical Specification
	V63978300	1	CONNECTING WIRE DENMARK -1999	L=5000
	V725932	1	WIRE FRANCE -1999	L=5000
44	V33733800	1	WIRE MINI	L=5000
	V33733900	1	WIRE DENMARK MINI	L=5000
	V33734000	1	WIRE FRANCE MINI	L=5000
36	V615881216	1	SEALING WASHER S2	
37	V640305012	1	PLUG	
38	V615881824	1	SEALING WASHER S2	
39	V33734100	1	SLEEVE BUSHING	
40	VHN6816	1	SCREW	B 4.2 X 30 SFS-ISO_7049
41	VJD9019	2	WASHER	A 4.3 X 0.5 DIN6798
42	V640016040	1	CUP PLUG	
	V836740280	1	ENGINE GASKET KIT S1	
	V836740333	1	ENGINE GASKET KIT S1+S2	

800E TRACTOR (600-900 SERIES)
SPIMG-004-21-06



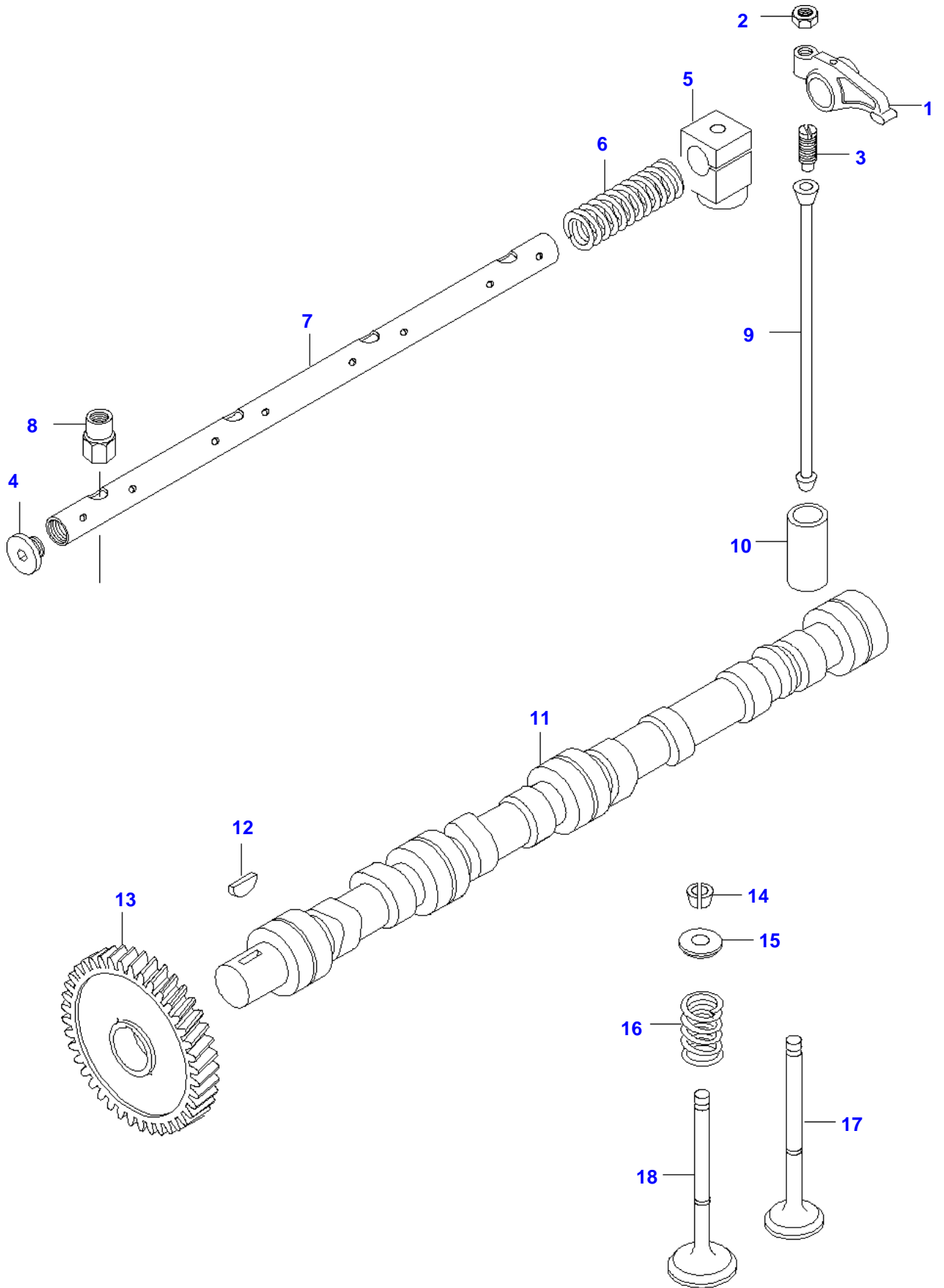
Item	Part Number	Qty	Description Comments	Technical Specification
1	V836759277	1	BACKPLATE	
2	V836659279	1	BRACKET LEFT	
36	V836659278	2	BRACKET RIGHT	
3	V581804582	4	HEX SOCKET SCREW	
4	V504800800	4	NUT	
5	V835324375	1	RESERVOIR SEE PAGE 01-0011	
6	V528800762	2	HEX CAP SCREW	
7	V602066609	4	HOSE CLIP	
8	V836136702	2	RUBBER HOSE L=160 -J10181(M)	
	V836655792	2	RUBBER HOSE L=320 J10182-(M)	
9	V835328356	1	RUBBER HOSE L=40	
10	V510600502	2	NUT	
11	V836752443	1	FLYWHEEL HOUSING	
12	V598359850	2	PIN	
13	V581705440	2	HEX SOCKET SCREW	
14	V528702220	14	HEX CAP SCREW	
15	V581705030	6	HEX SOCKET SCREW	
16	V528801800	3	HEX CAP SCREW	
17	V500951000	3	SPRING WASHER	
18	V614500002	1	CRANKSHAFT SEAL S2	
19	V836428065	1	RUBBER PLUG D=38	
	V836007572	1	RUBBER PLUG D=25	
20	V836538043	1	FLYWHEEL	
21	V836014127	1	ANNULAR GEAR	
22	V836647731	1	GASKET -H4421(M)	
23	V836759585	1	PIPE SEE PAGE 01-0011	
24	V602066612	2	HOSE CLIP	
25	V602074610	2	HOSE CLIP	
26	V504600502	2	NUT	
27	V528800802	2	HEX CAP SCREW	
28	V504601000	3	NUT	
29	V546801800	3	STUD BOLT	
30	V528801760	2	HEX CAP SCREW	
31	V31085600	1	GASKET LEFT	
	V31085500	1	GASKET RIGHT	
32	V30229000	1	GASKET	L=1200MM
33	V836659527	1	GUIDE SLEEVE	
34	V836859311	1	PLUG	
35	V500951200	8	SPRING WASHER	

800E TRACTOR (600-900 SERIES)
SPIMG-004-21-10



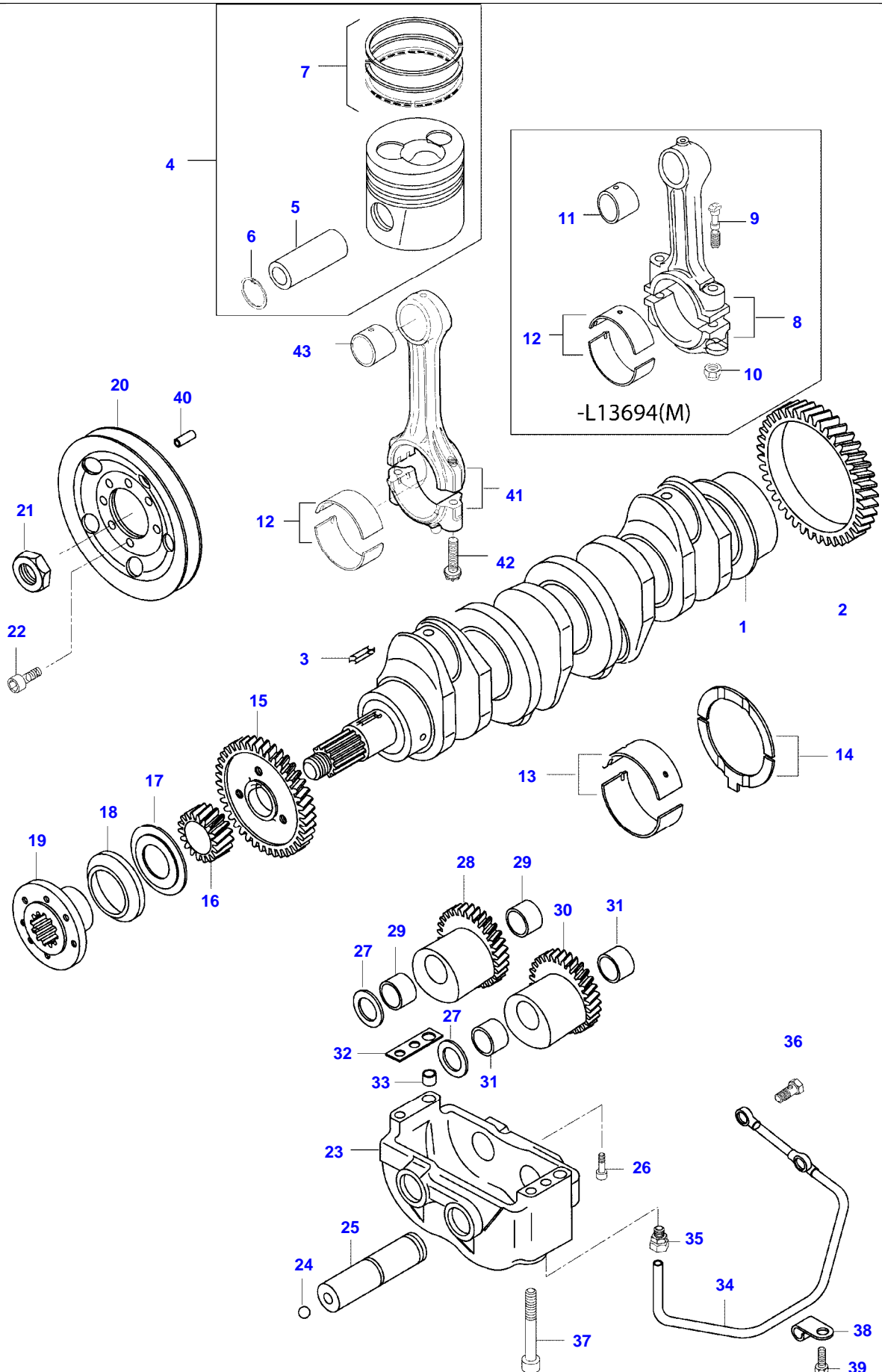
Item	Part Number	Qty	Description Comments
1	V836755383	1	CYLINDER
2	V836647601	8	GUIDE
3	V836647600	4	VALVE SEAT
4	V836647942	7	CUP PLUG
5	V836764156	1	CYLINDER HEAD GASKET S1
6	V836859104	20	HEXAGON FLANGE BOLT -K3333(M)
	V836859104	21	HEXAGON FLANGE BOLT K3334-(M)
7	V546901435	8	STUD BOLT
8	V836746361	1	VALVE ROCKER COVER
9	V836746362	1	VALVE ROCKER COVER GASKET S1
10	V528801780	4	HEX CAP SCREW
	VHA9089	4	SCREW VALTRA DO BRASIL
11	V836119855	4	WASHER
12	V836012841	4	RUBBER BUSHING S1
13	V846801900	4	STUD BOLT
14	V836655406	4	SLEEVE NUT
15	V836119837	1	HOSE COUPLER
16	V615881822	1	SEALING WASHER S1
17	V835329746	1	CABLE TIE
18	V836647835	1	LIFTING EYE EXTENSION
19	V836859110	2	NUT -K3333(M)
	V836859110	1	NUT K3334-(M)
20	V836859109	2	STUD BOLT -K3334(M)
	V836859109	1	STUD BOLT K3334-(M)
21	V836647814	1	RUBBER HOSE
22	V595959140	2	PIN
23	V836740854	1	CYLINDER HEAD
24	V836640252	1	LIFT EYE
25	V836659103	1	SPRING

800E TRACTOR (600-900 SERIES)
SPIMG-004-21-14



Item	Part Number	Qty	Description Comments
	V836666611	1	ROCKER SHAFT
1	V836666608	8	ROCKER ARM
			.
2	V512861000	8	NUT
			..
3	V836655866	8	ADJUSTING SCREW
			..
4	V836655899	2	PLUG
			.
5	V836655869	4	BRACKET
			.
	V836666609	4	BRACKET
			.
			M5020-(M)
6	V836655884	3	SPRING
			.
7	V836755871	1	SHAFT
			.
8	V836655406	4	SLEEVE NUT
9	V836655867	8	PUSHROD
10	V836014264	8	TAPPET
11	V836746375	1	CAMSHAFT
12	V603305760	1	WOODRUFF KEY
13	V836646389	1	GEAR,CAMSHAFT
14	V836646382	16	COTTER
15	V836646381	15	WASHER
16	V836646380	8	SPRING
17	V836646357	4	EXHAUST VALVE
18	V836646356	4	INTAKE VALVE

800E TRACTOR (600-900 SERIES)
 SPIMG-004-21-18

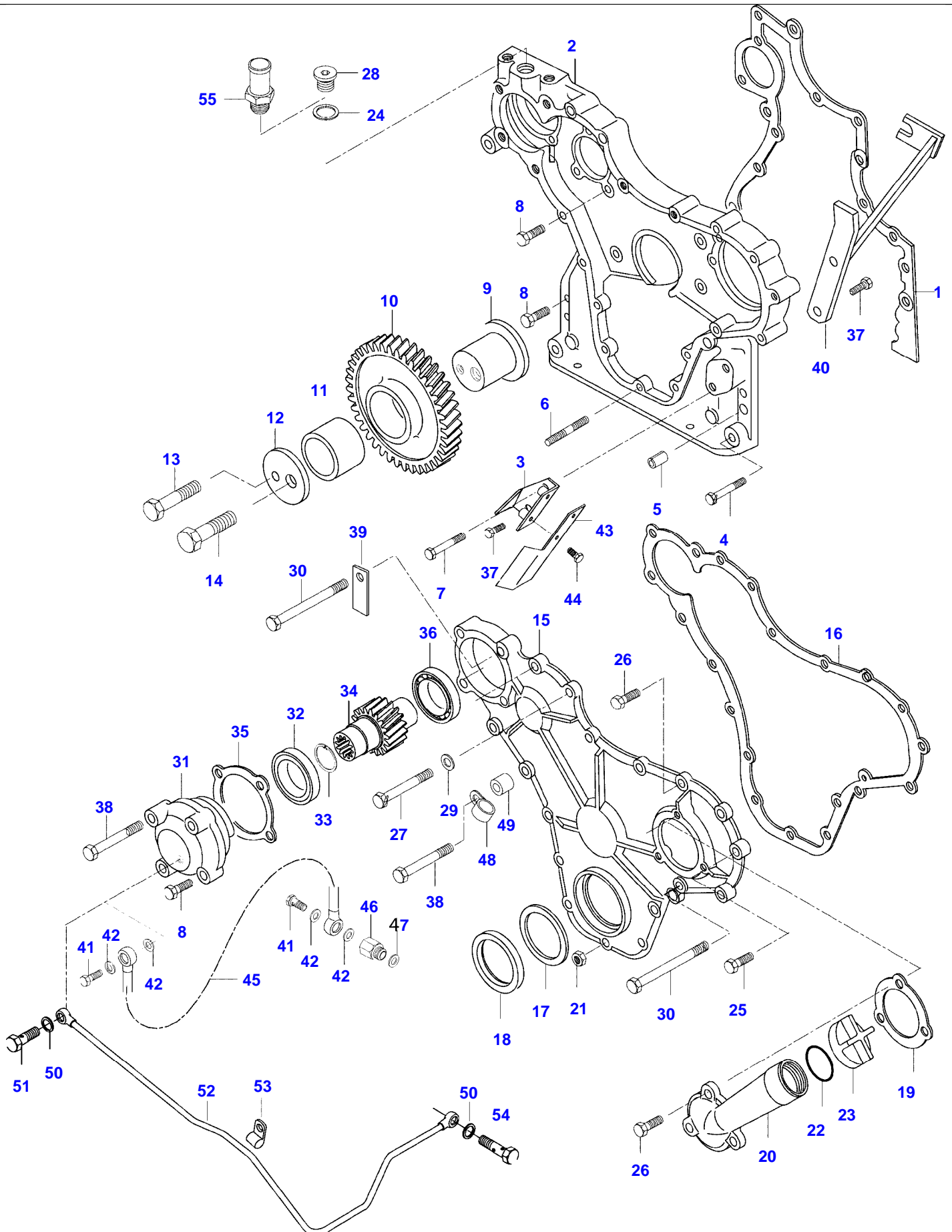


Item	Part Number	Qty	Description Comments	Technical Specification
1	V836752303	1	CRANKSHAFT	
2	V836124524	1	GEAR	
3	V603345110	1	KEY	
4	V836659702	4	PISTON	
5	NS	4	NON-SERVICEABLE PART	
6	NS	8	PISTON PIN NON-SERVICEABLE PART	
7	V836640126	4	CIRCLIP PISTON RING KIT	
8	V836740859	1	CONNECTING ROD KIT	
	V82659800	1	CONNECTING ROD KIT VALTRA DO BRASIL UNITED STATES OF AMERICA	
	V836647460	4	CONROD 2150-2169 G X -L13694(M)	
	V836652104	4	CONROD 2170-2189 G A -L13694(M)	
	V836652105		CONROD 2190-2209 G B -L13694(M)	
	V836652106		CONROD 2210-2229 G C -L13694(M)	
	V836652107		CONROD 2230-2249 G D -L13694(M)	
	V836652108		CONROD 2250-2269 G E -L13694(M)	
	V836652109		CONROD 2270-2289 G H -L13694(M)	
	V836652110		CONROD 2290-2309 G I -L13694(M)	
	V836652111		CONROD 2310-2329 G J -L13694(M)	
	V836652112		CONROD 2330-2349 G K -L13694(M)	
	V836652113		CONROD 2350-2369 G L -L13694(M)	
	V836652114		CONROD 2370-2389 G M -L13694(M)	
	V836652115		CONROD 2390-2409 G N -L13694(M)	
	V836652116		CONROD 2410-2429 G O -L13694(M)	
	V836652117		CONROD 2430-2449 G P -L13694(M)	
	V836652118		CONROD 2450-2469 G R -L13694(M)	

Item	Part Number	Qty	Description Comments	Technical Specification
	V836652119		CONROD 2470-2489 G S -L13694(M)	
	V836652120		CONROD 2490-2509 G T -L13694(M)	
	V836652121		CONROD 2510-2529 G U -L13694(M)	
41	NS		NON-SERVICEABLE PART CONNECTING ROD 1935-1954 G F L13695-(M)	
	NS		NON-SERVICEABLE PART CONNECTING ROD 1955-1974 G V L13695-(M)	
	NS		NON-SERVICEABLE PART CONNECTING ROD 1975-1994 G X L13695-(M)	
	NS		NON-SERVICEABLE PART CONNECTING ROD 1995-2014 G Y L13695-(M)	
	NS		NON-SERVICEABLE PART CONNECTING ROD 2015-2034 G W L13695-(M)	
	NS		NON-SERVICEABLE PART CONNECTING ROD 2035-2054 G Z L13695-(M)	
	NS		NON-SERVICEABLE PART CONNECTING ROD 2055-2074 G G L13695-(M)	
9	V836646204	8	CONNECTING ROD BOLT . -L13694(M)	
42	V836864141	8	CONNECTING ROD BOLT . L13695-(M)	
10	V836646205	8	NUT . -L13694(M)	
11	V836646271	4	BEARING BUSH . -L13694(M)	
43	V836110646	4	BEARING BUSH . L13695-(M)	STD
12	V836110552	4	BEARING SHELL	
13	V836655514	5	MAIN BEARING	
14	V836119459	2	THRUST WASHER	
15	V836119550	1	GEAR,CRANKSHAFT	
16	V836122840	1	GEAR,CRANKSHAFT	
17	V836129781	1	RING	
18	V836136271	1	SHIELD	
19	V836846463	1	CRANKSHAFT HUB	
20	V836655449	1	CRANKSHAFT V-BELT PULLEY	
21	V836647310	1	CRANKSHAFT NUT	
22	V581804600	6	HEX SOCKET SCREW	
23	V836747349	1	BALANCER -L10351(M)	

Item	Part Number	Qty	Description Comments	Technical Specification
	V836766123	1	COUNTERWEIGHT L10352-(M)	
24	V616810103	2	BALL	
25	V836146879	2	SHAFT	
26	V581804200	2	HEX SOCKET SCREW	
27	V836146880	4	THRUST WASHER	
28	V836146877	1	GEAR	
	V836766121	1	COUNTERWEIGHT -L10351(M)	
29	V836146876	2	BEARING BUSH L10352-(M)	
30	V836146878	1	GEAR	
	V836766122	1	COUNTERWEIGHT -L10351(M)	
31	V836146876	2	BEARING BUSH L10352-(M)	
32	V836119920		SHIM	
33	V598359850	2	PIN	
34	V836747478	1	OIL PIPE	
35	V641016008	1	STRAIGHT FITTING	
36	V640435008	2	BANJO BOLT	
37	V581805170	4	HEX SOCKET SCREW	
38	V602071608	1	RETAINER CLAMP	
39	V528801062	1	HEX CAP SCREW	
	VHA6313	1	SCREW	M6 X 16 ISO 8.8
			VALTRA DO BRASIL	
40	V595953360	1	PIN	
	V595959140	1	PIN	
			VALTRA DO BRASIL	

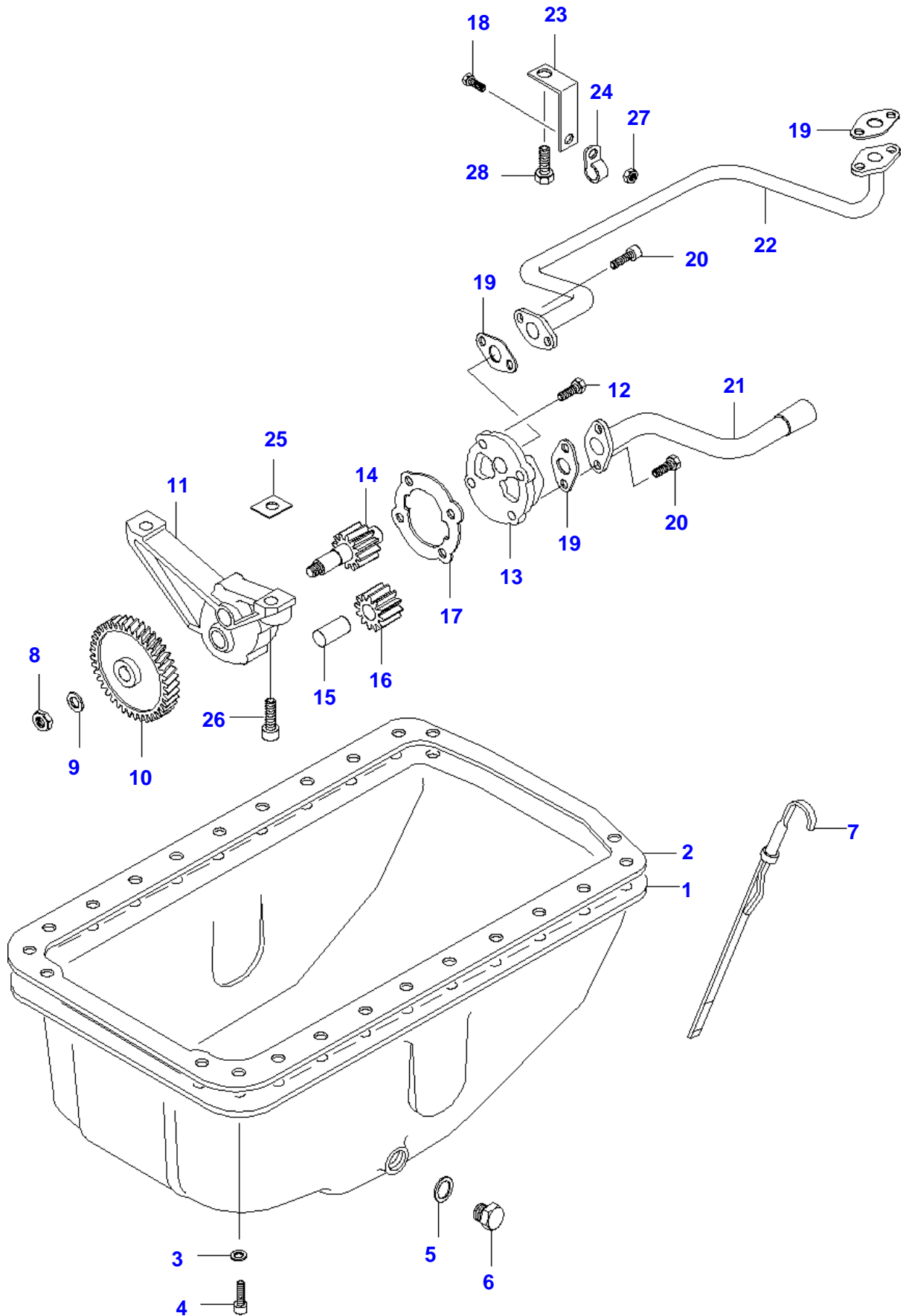
800E TRACTOR (600-900 SERIES)
SPIMG-004-21-20



Item	Part Number	Qty	Description Comments
1	V836647419	1	GASKET S2
2	V836652221	1	TIMING GEAR CASE
3	V836655720	1	TIMING MARK INDICATOR
4	V529801440	2	HEX CAP SCREW
5	V598359850	4	PIN
6	V546801380	5	STUD BOLT
7	V529801450	1	HEX CAP SCREW
8	V528801400	10	HEX CAP SCREW
9	V836766127	1	SHAFT
	V836138354	1	IDLER GEAR ASSEMBLY
10	NS	1	NON-SERVICEABLE PART . GEAR
11	V836139039	1	BUSHING .
12	V836129845	1	FLANGE
13	V528801910	1	SCREW
14	V529902720	1	HEX CAP SCREW
15	V836647575	1	GEAR HOUSING FRONT COVER
16	V835336796	1	GASKET S2
17	V836129782	1	COVER
18	V614105880	1	OIL SEAL S2
19	V836129946	1	GASKET S2
20	V835338325	1	ENGINE OIL FILL PIPE
21	V504800800	5	NUT
22	V614603540	1	O-RING S2
23	V836017927	1	CAP
	V836655188	1	CAP INCLUDES CHAIN
24	V615881822	1	SEALING WASHER S2
25	V528801420	2	HEX CAP SCREW
26	V528801382	5	HEX CAP SCREW
27	V529801470	3	HEX CAP SCREW
28	V640325018	1	PLUG
55	V836119851	1	FITTING TURBO
29	V836120989	1	WASHER
30	V529801500	2	HEX CAP SCREW
	V836655232	1	DRIVE ASSEMBLY -K17877(M)
	V836666028	1	DRIVE ASSEMBLY K17878-(M)
31	V836655230	1	BEARING HOUSING . -K17877(M)
	V836664542	1	BEARING HOUSING . K17878-(M)
32	V610060096	1	BALL BEARING .
33	V617330031	1	LOCK RING .
34	V836120880	1	SHAFT .
35	V835336793	1	GASKET S2
36	V610060096	1	BALL BEARING

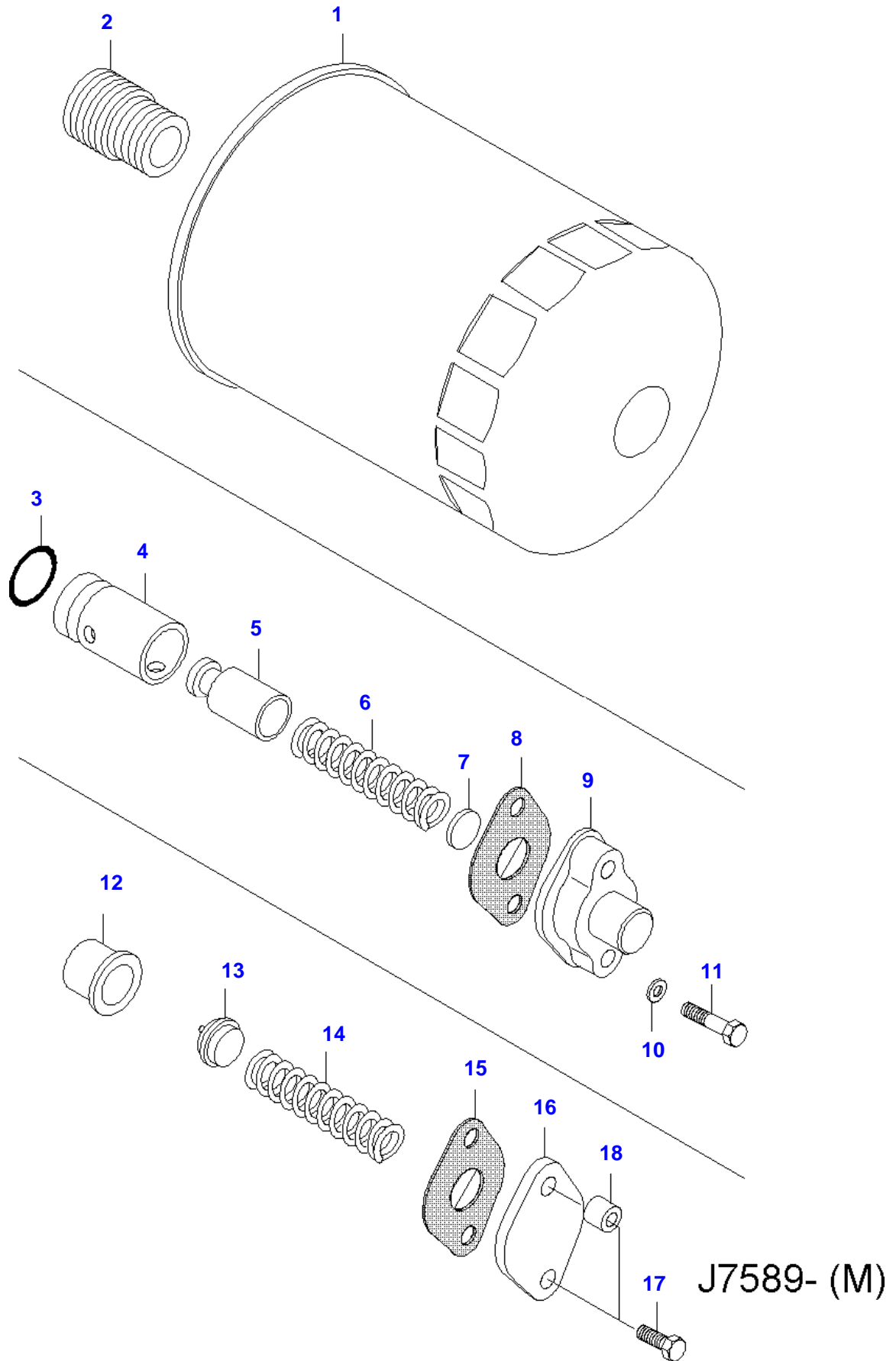
Item	Part Number	Qty	Description Comments
37	V528801362	3	HEX CAP SCREW
38	V529801460	4	HEX CAP SCREW
39	V836083428	1	CABLE TIE
40	V836655512	1	BRACKET -L7943(M)
	V836664528	1	THROTTLE SENSOR BRACKET L7944-(M)
41	V528801042	1	HEX CAP SCREW -1998
	V835331289	2	BANJO BOLT
42	V615870610	4	SEALING WASHER
43	V836659093	1	SHIELD
44	V528801082	2	HEX CAP SCREW
45	V836655234	1	HOSE
46	V836655736	1	UNION J10182-(M)
47	V615571014	1	SEALING WASHER
48	V602060612	1	RETAINER CLAMP
49	V836119296	1	SPACER PIECE
50	V615571014	4	SEALING WASHER K17878-(M)
51	V836664212	1	BANJO BOLT K17878-(M)
52	V836664543	1	OIL PIPE K17878-(M)
53	V836009683	1	RETAINER CLAMP K17878-(M)
54	V640435006	1	BANJO BOLT K17878-(M) [B] [B] DISTRIBUTOR PUMP

800E TRACTOR (600-900 SERIES)
SPIMG-004-21-24



Item	Part Number	Qty	Description Comments
1	V836128794	1	OIL SUMP
2	V836107726	1	OIL SUMP GASKET S2
3	V500950800	22	SPRING WASHER
4	V581804580	22	HEX SOCKET SCREW
5	V615881827	1	SEALING WASHER S2
6	V836655493	1	PLUG
7	V836014330	1	DIPSTICK
	V836652603	1	LUBRICATING OIL PUMP ASSEMBLY
8	V504861000	1	NUT
9	V836122910	1	WASHER
10	V836338667	1	GEAR
11	V836120195	1	HOUSING
12	V528801380	4	HEX CAP SCREW
13	V836119794	1	COVER
14	V836652600	1	OIL PUMP SHAFT
15	V836120191	1	OIL PUMP SHAFT
16	V836120193	1	GEAR
17	V836119796	1	GASKET S2
18	V528801362	1	HEX CAP SCREW
19	V836008449	3	GASKET S2
20	V581804600	6	HEX SOCKET SCREW
21	V836759171	1	OIL PUMP SUCTION PIPE
22	V836746457	1	OIL PIPE
23	V836746572	1	SUPPORT
24	V602074618	1	RETAINER CLAMP
25	V836007871		SHIM
26	V581805050	2	HEX SOCKET SCREW
27	V504800800	1	NUT
28	V528801780	1	HEX CAP SCREW

800E TRACTOR (600-900 SERIES)
SPIMG-004-21-26



J7589- (M)

Thank you so much for reading.
Please click the “Buy Now!”
button below to download the
complete manual.



After you pay.

You can download the most
perfect and complete manual in
the world immediately.

Our support email:

ebooklibonline@outlook.com