

Page Number	Page Title	Page Reference
01-000-TOC	ENGINE V832576302 33 DTA	01-000-TOC
02-000-TOC	ENGINE V832576986 33 DTA	02-000-TOC
03-000-TOC	ENGINE INSTALLATION	03-000-TOC
04-000-TOC	AXLES	04-000-TOC
05-000-TOC	STEERING SYSTEM	05-000-TOC
06-000-TOC	DRIVE TRAIN SYSTEM	06-000-TOC
07-000-TOC	BRAKE SYSTEM	07-000-TOC
08-000-TOC	HYDRAULIC SYSTEM	08-000-TOC
09-000-TOC	ELECTRICAL SYSTEM	09-000-TOC
10-000-TOC	CAB	10-000-TOC
11-000-TOC	CHASSIS	11-000-TOC
12-000-TOC	DECALS	12-000-TOC
13-000-TOC	WHEELS	13-000-TOC
14-000-TOC	IMPLEMENT DRIVE SYSTEM	14-000-TOC
15-000-TOC	IMPLEMENT LIFT SYSTEM REAR	15-000-TOC
16-000-TOC	ATTACHMENTS	16-000-TOC
17-000-TOC	GENERAL INFORMATION	17-000-TOC

Page Number	Page Title	Page Reference
01-0001	ENGINE ASSEMBLIES - ENGINE SERIAL NUMBER RANGE U20842-X30639	1MDL2594450
01-0002	CYLINDER BLOCK - UP TO ENGINE SERIAL NUMBER X02855	1MDL2594451
01-0003	CYLINDER BLOCK - STARTING FROM ENGINE SERIAL NUMBER X02856	1MDL2594452
01-0004	TIMING GEARS AND HOUSING	1MDL2594453
01-0005	FLYWHEEL AND HOUSING	1MDL2594454
01-0006	CRANKSHAFT AND PISTONS	1MDL2594455
01-0007	CAMSHAFT AND VALVE MECHANISM	1MDL2594456
01-0008	CYLINDER HEAD	1MDL2594457
01-0009	VALVE ROCKER COVER	1MDL2594458
01-0010	INTAKE MANIFOLD	1MDL2594459
01-0011	TURBOCHARGER AND EXHAUST MANIFOLD	1MDL2594460
01-0012	OIL PUMP AND SUMP	1MDL2594461
01-0013	OIL FILTER	1MDL2594462
01-0014	COOLANT PUMP AND THERMOSTAT	1MDL2594463
01-0015	FUEL INJECTION SYSTEM	1MDL2594464
01-0016	FUEL FILTERS	1MDL2594465
01-0017	ALTERNATOR	1MDL2594466
01-0018	STARTER MOTOR	1MDL2594467
01-0019	ENGINE OVERHAUL PARTS	1MDL2594470
01-0020	SPECIAL OVERHAUL PARTS	1MDL2594469

A72L TRACTOR (A72-A92 SERIES)
AP_ENGAS_3CYL

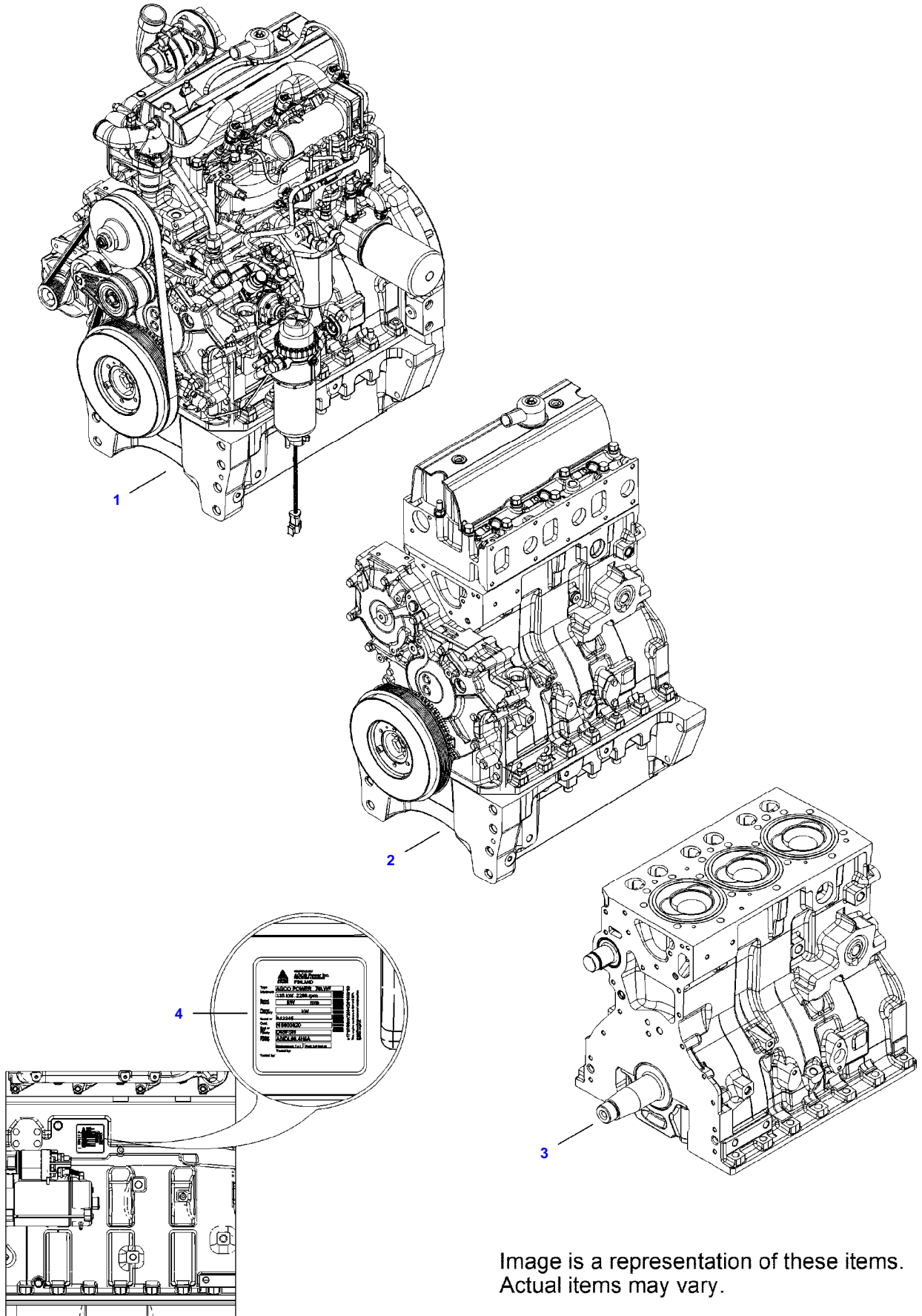
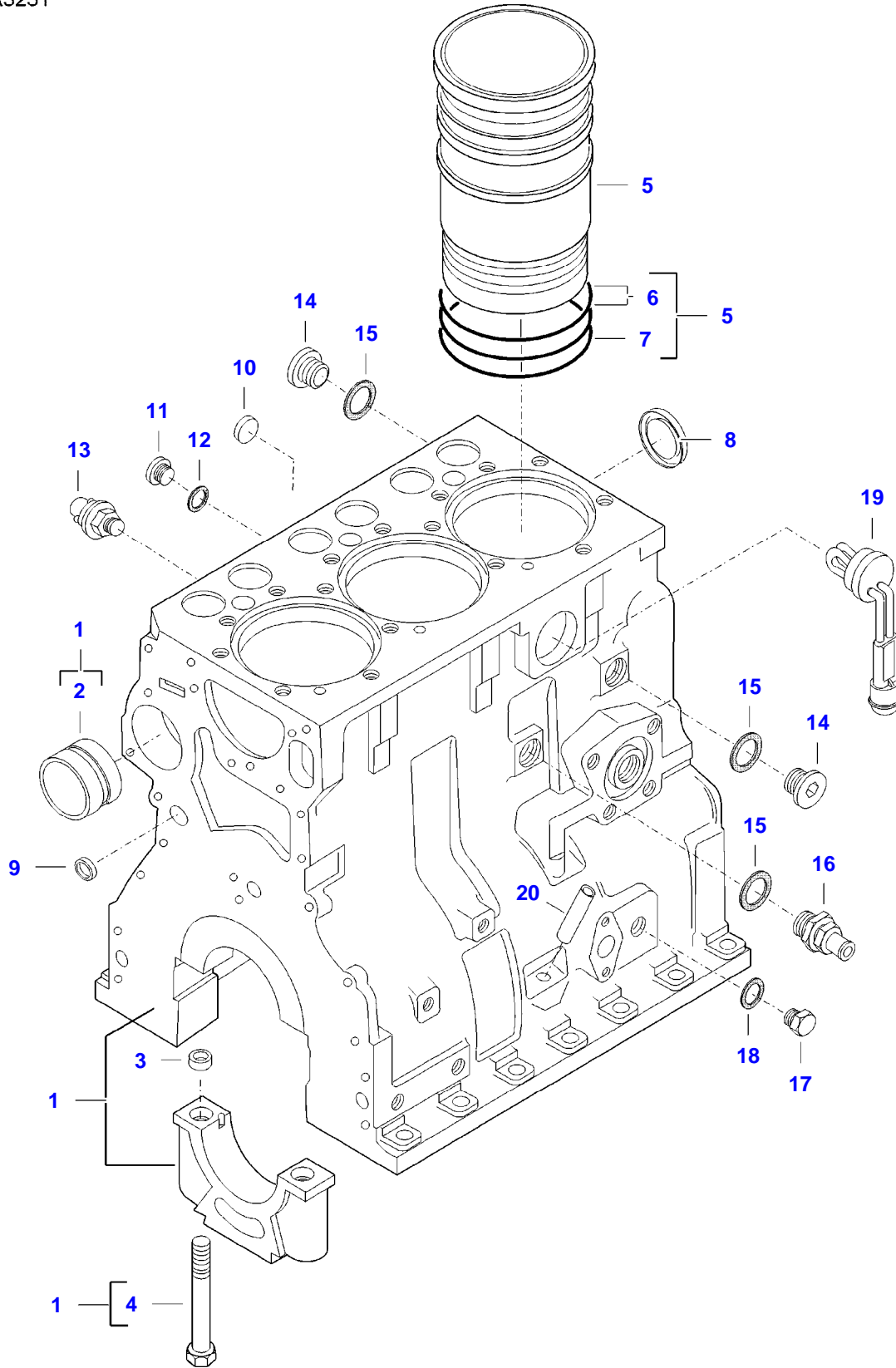


Image is a representation of these items.
Actual items may vary.

Item	Part Number	Qty	Description Comments	Technical Specification
1	V832576302	1	ENGINE	33 DTA
2	862576302V	1	LONG BLOCK ENGINE	33 DTA
3	862576302X	1	SHORT BLOCK ENGINE	33 DTA
4	V837079921	1	LABEL ENGINE TYPE PLATE	

A72L TRACTOR (A72-A92 SERIES)
AP1A3251

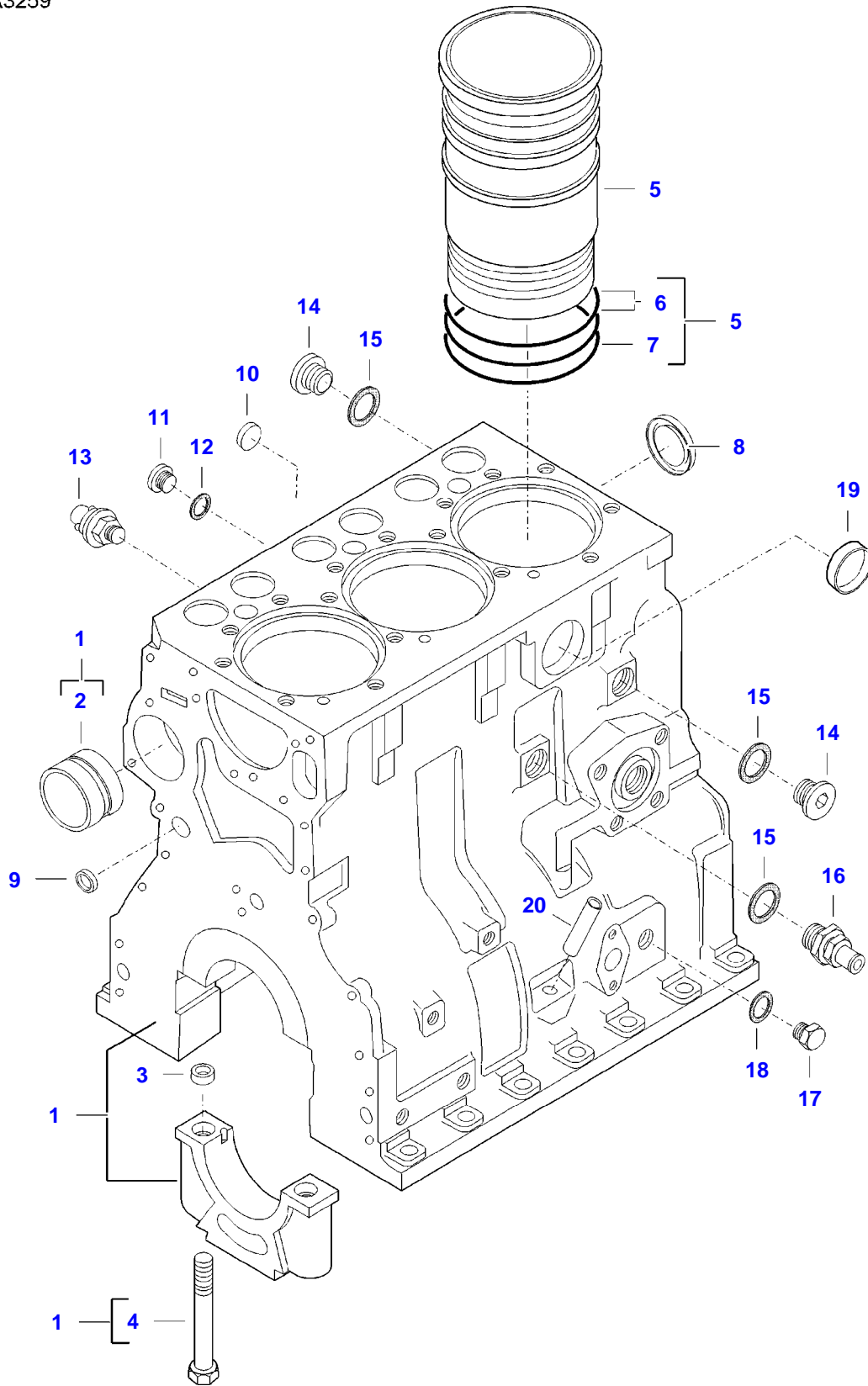
AP1A3251



Item	Part Number	Qty	Description Comments	Technical Specification
1	V837070453	1	CYLINDER BLOCK	
2	V836866069	1	CAMSHAFT BEARING BUSHING (1)	
3	V836214478	6	GUIDE SLEEVE (1)	
4	V835329030	8	HEX CAP SCREW (1)	
5	V836673191	3	LINER	D108 MM STD
6	V836647502	6	CYLINDER LINER O-RING (5) [B]	
7	V836647503	3	CYLINDER LINER O-RING (5) [B]	
8	V836529872	1	PLUG	
9	V640016016	4	CUP PLUG	
10	V640016018	1	CUP PLUG	
11	V640325110	2	SCREW PLUG	
12	V615871014	2	SEALING WASHER [B]	
13	V887283760	1	PRESSURE SWITCH	
14	V640325018	2	PLUG	
15	V615881822	3	SEALING WASHER [B]	
16	V836664377	1	DRAIN VALVE	
17	V640045112	2	PLUG	
18	V615881216	2	SEALING WASHER [B]	
19	V836647622	1	ENGINE BLOCK HEATER	
20	V836666910	1	OIL DIPSTICK GUIDE PIPE [B] INCLUDED IN COMPLETE ENGINE GASKET KIT 2	

A72L TRACTOR (A72-A92 SERIES)
AP1A3259

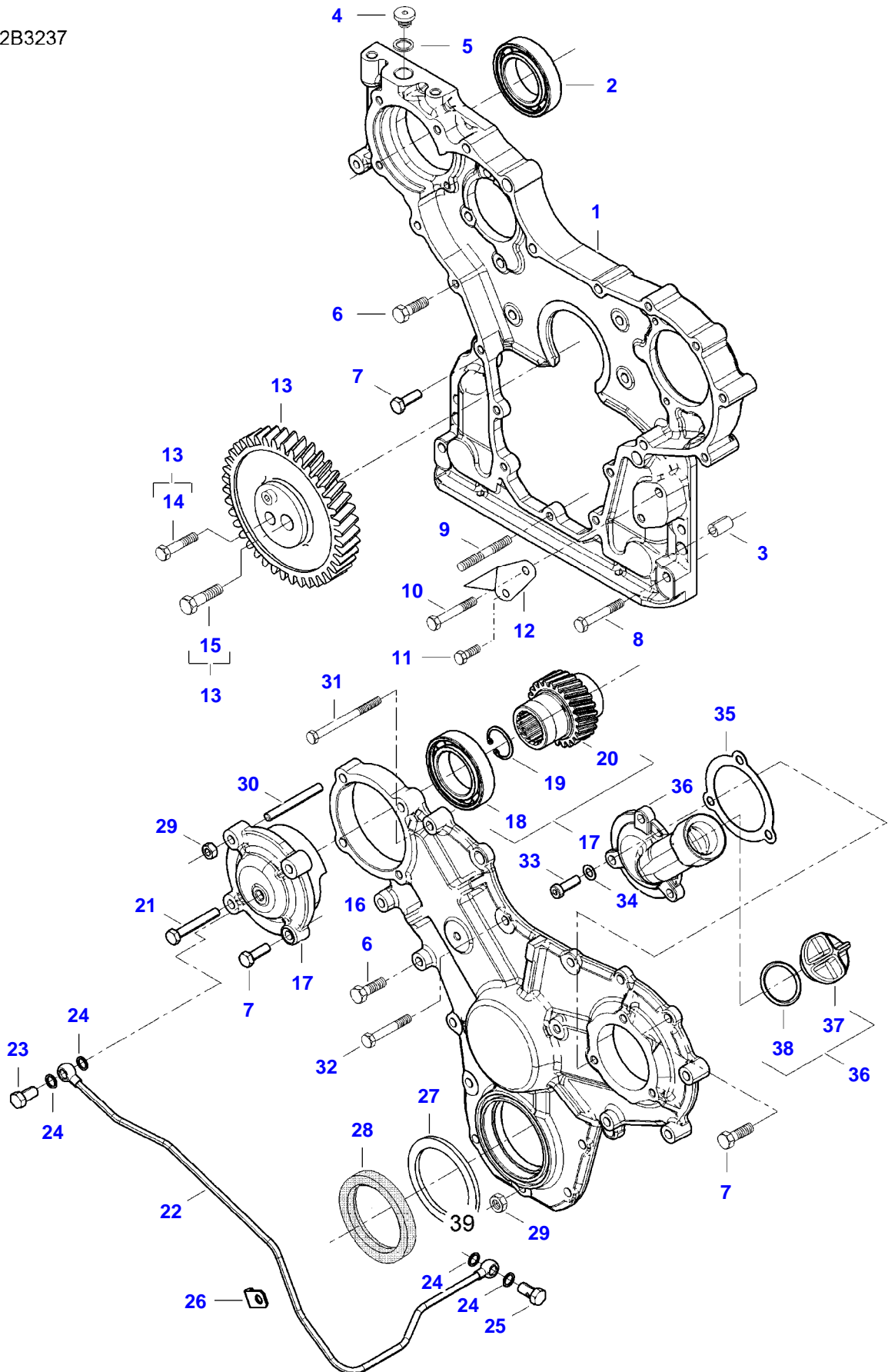
AP1A3259



Item	Part Number	Qty	Description Comments	Technical Specification
1	V837070453	1	CYLINDER BLOCK	
2	V836866069	1	CAMSHAFT BEARING BUSHING (1)	
3	V836214478	6	GUIDE SLEEVE (1)	
4	V835329030	8	HEX CAP SCREW (1)	
5	V836673191	3	LINER	D108 MM STD
6	V836647502	6	CYLINDER LINER O-RING (5) [B]	
7	V836647503	3	CYLINDER LINER O-RING (5) [B]	
8	V836529872	1	PLUG	
9	V640016016	4	CUP PLUG	
10	V640016018	1	CUP PLUG	
11	V640325110	2	SCREW PLUG	
12	V615871014	2	SEALING WASHER [B]	
13	V887283760	1	PRESSURE SWITCH	
14	V640325018	2	PLUG	
15	V615881822	3	SEALING WASHER [B]	
16	V836664377	1	DRAIN VALVE	
17	V640045112	2	PLUG	
18	V615881216	2	SEALING WASHER [B]	
19	V640016040	1	CUP PLUG	
20	V836666910	1	OIL DIPSTICK GUIDE PIPE [B] INCLUDED IN COMPLETE ENGINE GASKET KIT 2	

A72L TRACTOR (A72-A92 SERIES)
AP2B3237

AP2B3237

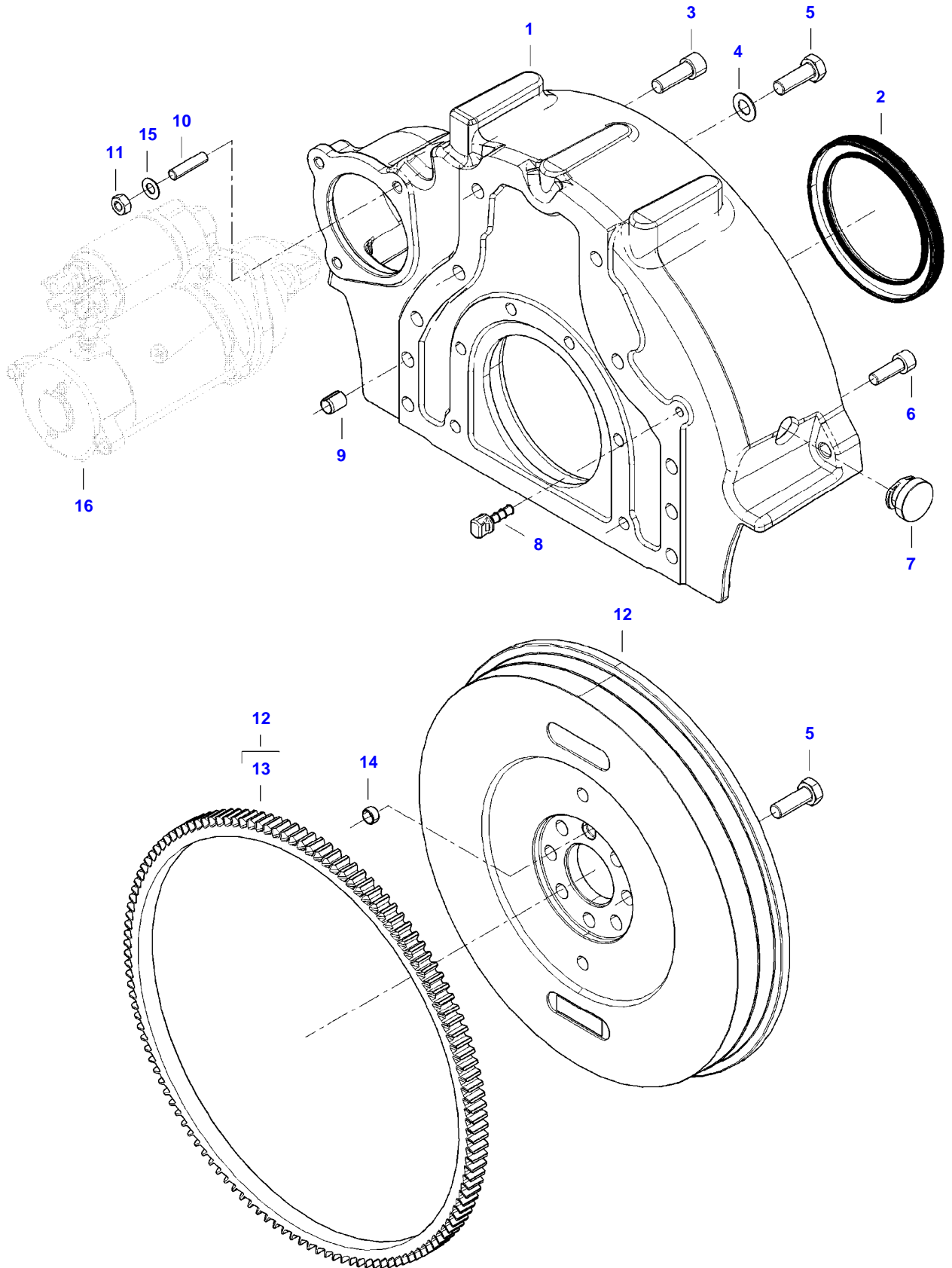


Item	Part Number	Qty	Description Comments
1	V836667948	1	TIMING GEAR CASE
2	V610060096	1	BALL BEARING
3	V598359850	4	PIN
4	V640325018	1	PLUG
5	V615881822	1	SEALING WASHER [B]
6	V528801422	2	HEX CAP SCREW
7	V528801402	18	HEX CAP SCREW
8	V529801442	2	HEX CAP SCREW
9	V546801380	5	STUD BOLT
10	V529801910	1	HEX CAP SCREW
11	V528801362	1	HEX CAP SCREW
12	V836655720	1	TIMING MARK INDICATOR
13	V836673332	1	IDLER GEAR
14	V529801910	1	HEX CAP SCREW (13)
15	V529902720	1	HEX CAP SCREW (13)
16	V836647575	1	GEAR HOUSING FRONT COVER
17	V836666028	1	DRIVE
18	V610060096	1	BALL BEARING (17)
19	V617330031	1	LOCK RING (17)
20	V836122843	1	SHAFT (17)
21	V529801462	2	HEX CAP SCREW
22	V836673122	1	OIL PIPE
23	V836664212	1	BANJO BOLT
24	V615871014	4	SEALING WASHER [B]
25	V640435006	1	BANJO BOLT
26	V836009683	1	RETAINER CLAMP
27	V836129782	1	COVER
28	V836673387	1	SHAFT SEAL
29	V504800800	4	NUT
30	V546801470	1	STUD BOLT
31	V529801502	2	HEX CAP SCREW
32	V529801472	3	HEX CAP SCREW
33	V577904620	3	HEX SOCKET SCREW
34	V500950802	3	SPRING WASHER
35	V836129946	1	GASKET [B]
36	V837086441	1	ENGINE OIL FILL PIPE
37	V836017927	1	CAP (36)
38	V614603540	1	O-RING (36) [B]

[B] INCLUDED IN COMPLETE ENGINE GASKET KIT 2

A72L TRACTOR (A72-A92 SERIES)
AP3B3238

AP3B3238



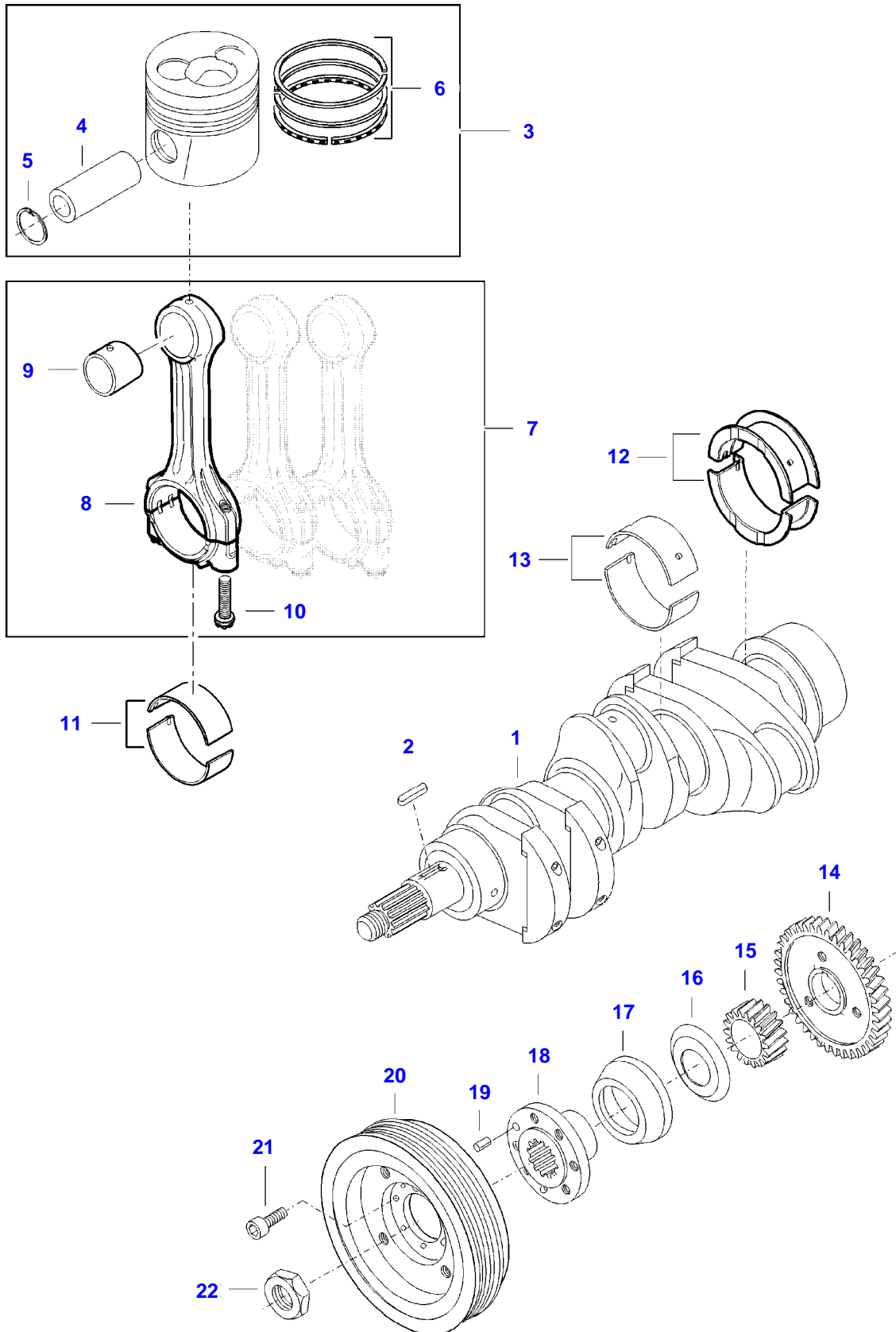
Item	Part Number	Qty	Description Comments
1	V836752443	1	FLYWHEEL HOUSING
2	V837091172	1	CRANKSHAFT SEAL [B]
3	V581705440	2	HEX SOCKET SCREW
4	V500951202	6	SPRING WASHER
5	V528702220	14	HEX CAP SCREW
6	V581705030	6	HEX SOCKET SCREW
7	V836007572	1	RUBBER PLUG
8	V836859311	1	PLUG
9	V598359850	2	PIN
10	V546801810	3	STUD BOLT
11	V504601002	3	NUT
12	V836538043	1	FLYWHEEL
13	V836117970	1	STARTER RING (12)
14	V836659527	1	GUIDE SLEEVE
15	V500951002	3	SPRING WASHER
16		1	

SEE PAGE 01-0018

[B] INCLUDED IN COMPLETE ENGINE GASKET KIT 2

A72L TRACTOR (A72-A92 SERIES)
AP4A3252

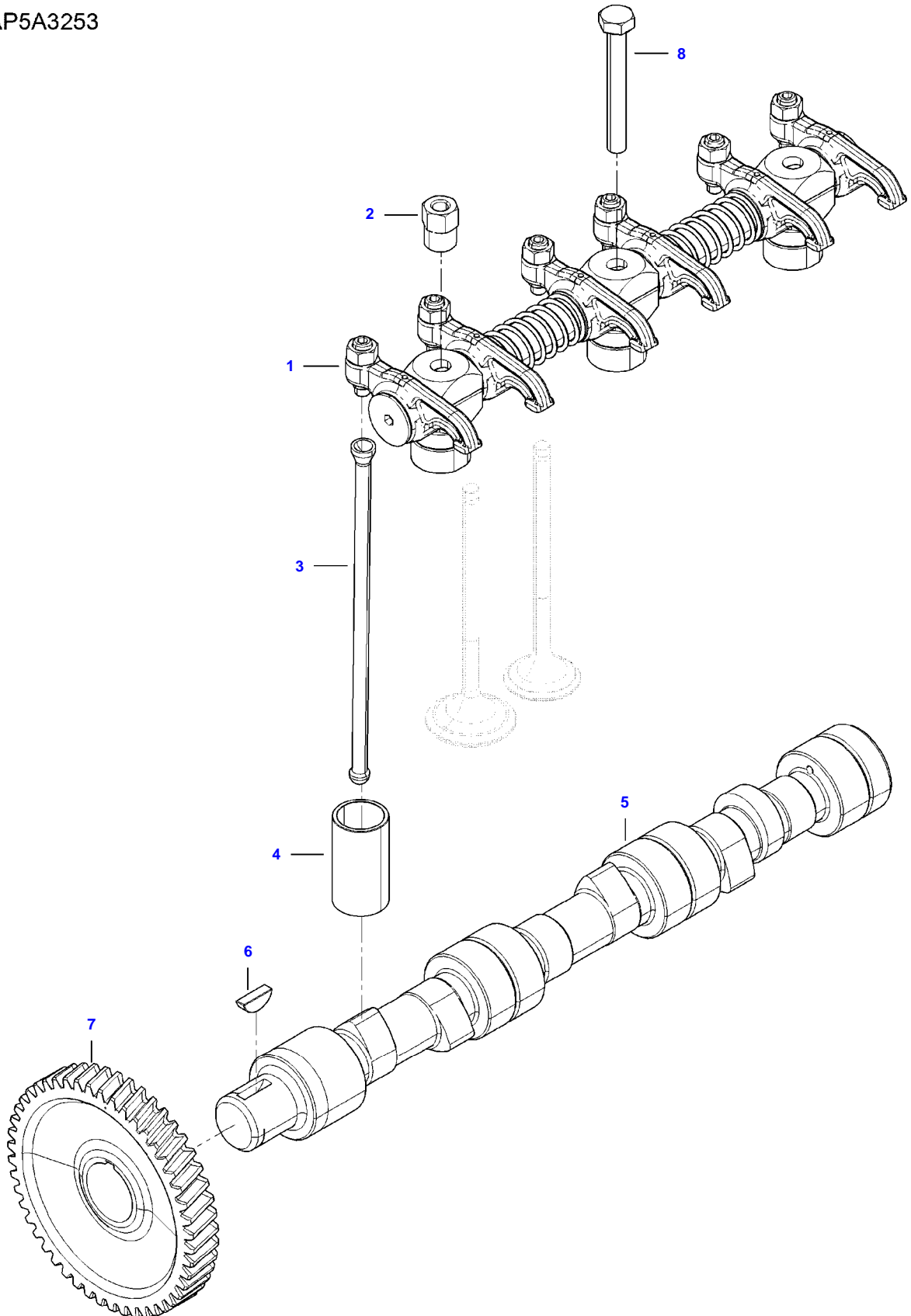
AP4A3252



Item	Part Number	Qty	Description Comments	Technical Specification
1	V836647314	1	CRANKSHAFT	
2	V603345110	1	KEY	
3	V836666103	3	PISTON	
4		3	(3)	
5		3	(3)	
6	V836640078	4	PISTON RING KIT	
7	V836640968	1	CONNECTING ROD KIT	
8		3	(7)	
9	V836110646	3	BEARING BUSH	STD
10		6	(7)	
11	V836179781	3	CONROD BEARING	STD
12	V836679154	1	MAIN BEARING	
13	V836655514	3	MAIN BEARING	
14	V836120019	1	GEAR,CRANKSHAFT	
15	V836122840	1	GEAR,CRANKSHAFT	
16	V836129781	1	RING	
17	V836136271	1	SHIELD	
18	V836846463	1	CRANKSHAFT HUB	
19	V595953360	1	PIN	
20	V836766988	1	CRANKSHAFT PULLEY	
21	V581804602	6	HEX SOCKET SCREW	
22	V836647310	1	CRANKSHAFT NUT	

A72L TRACTOR (A72-A92 SERIES)
AP5A3253

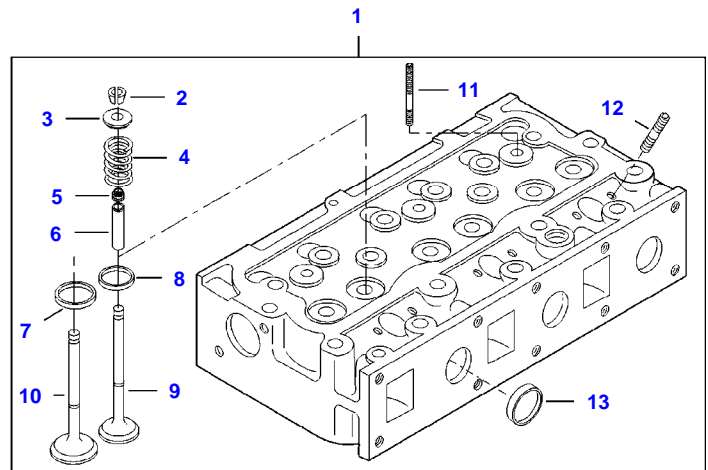
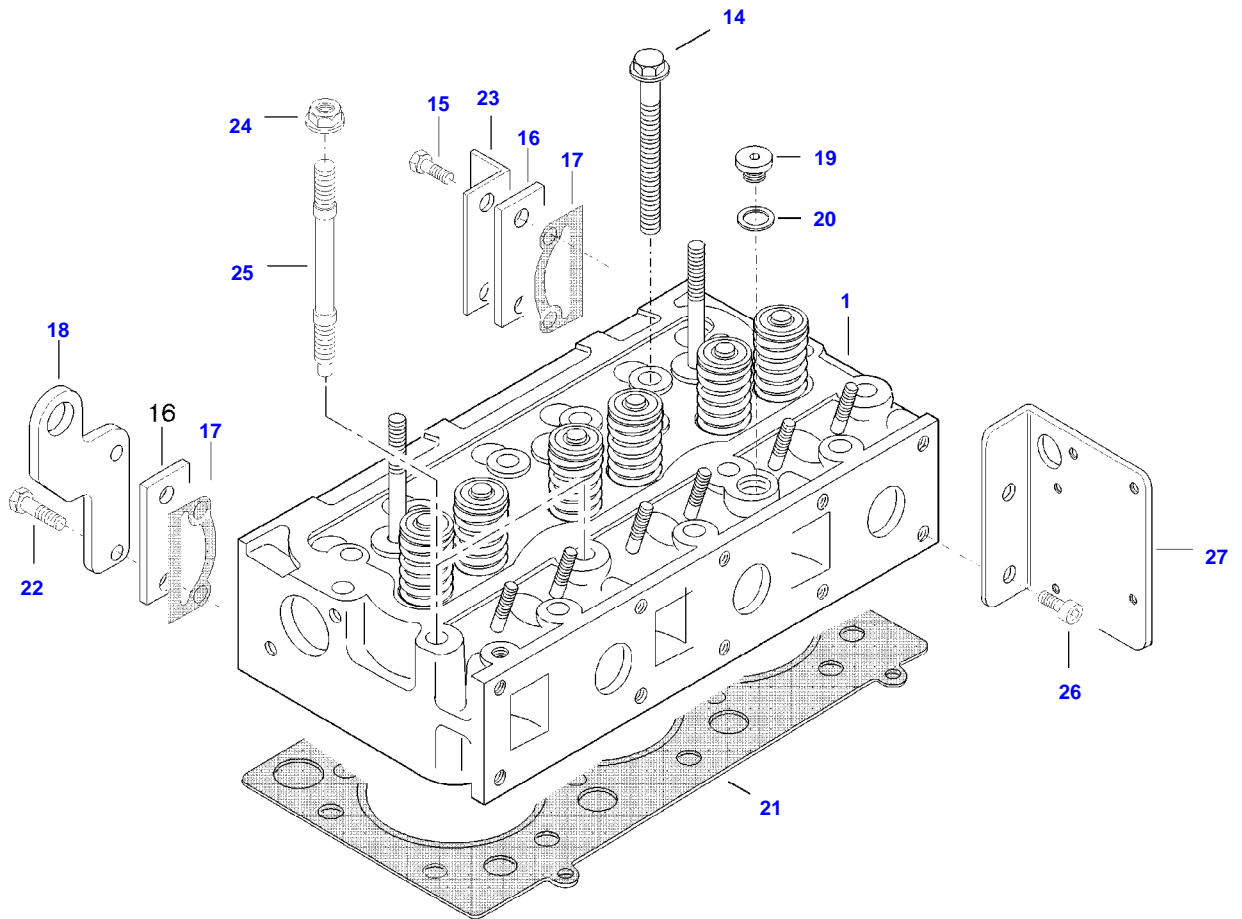
AP5A3253



Item	Part Number	Qty	Description Comments
1	V836667043	1	ROCKER SHAFT ASM
2	V836655406	2	SLEEVE NUT
3	V837084414	6	PUSHROD
4	V836014264	6	TAPPET
5	V836673020	1	CAMSHAFT
6	V603305760	1	WOODRUFF KEY
7	V836646389	1	GEAR,CAMSHAFT
8	V529801910	1	HEX CAP SCREW

A72L TRACTOR (A72-A92 SERIES)
AP6A3254

AP6A3254

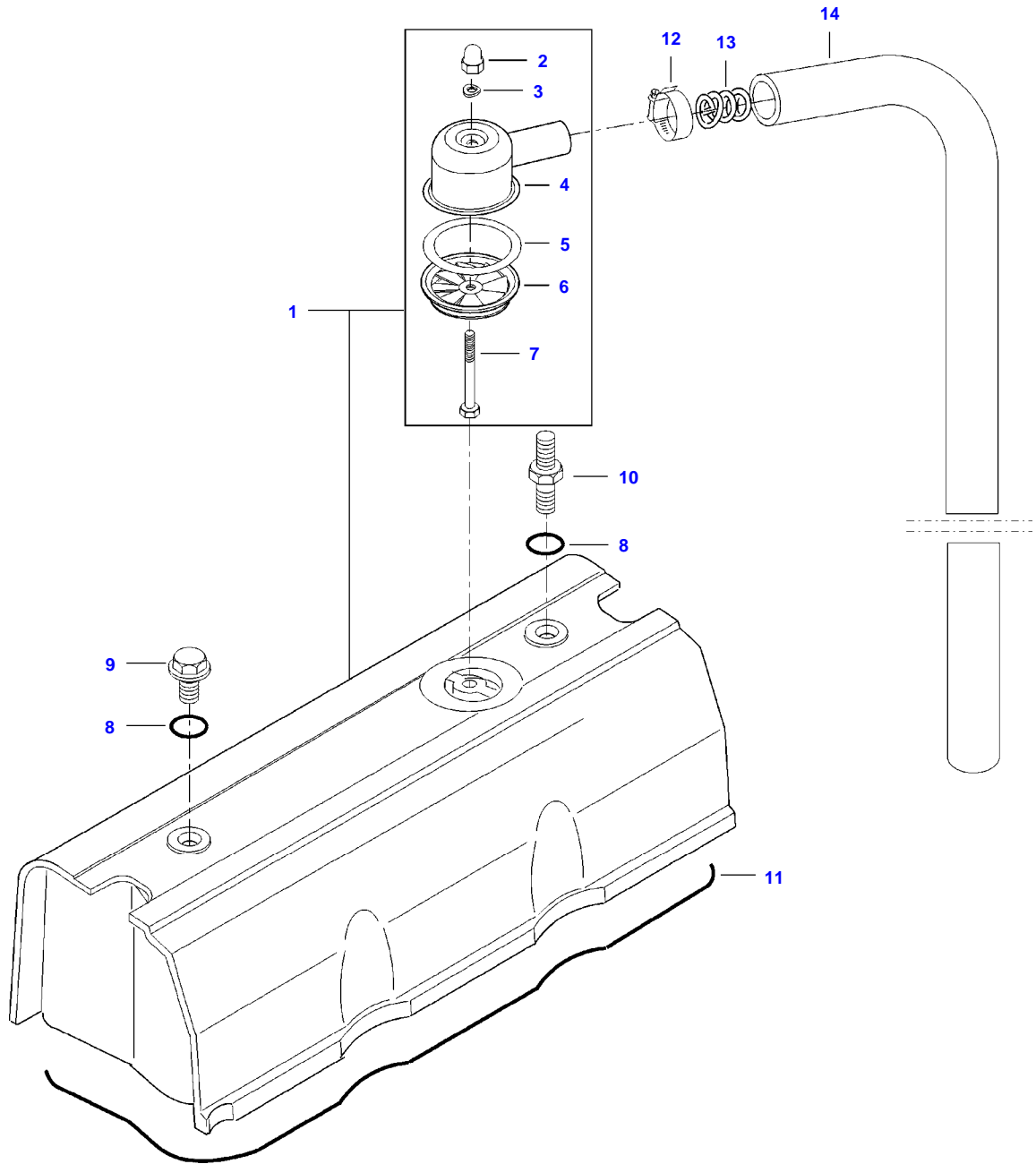


Item	Part Number	Qty	Description Comments
1	V836873284	1	CYLINDER HEAD
2	V836646382	12	COTTER (1)
3	V836646381	6	WASHER (1)
4	V837073405	6	VALVE SPRING (1)
5	V837073166	6	VALVE STEM GASKET (1)
6	V836673175	6	VALVE GUIDE (1)
7	V836647936	3	VALVE SEAT (1)
8	V836647600	3	VALVE SEAT (1)
9	V836646357	3	EXHAUST VALVE (1)
10	V836646356	3	INTAKE VALVE (1)
11	V546901900	2	STUD BOLT (1)
12	V546901435	6	STUD BOLT (1)
13	V836647942	5	CUP PLUG (1)
14	V837069025	15	CYLINDER HEAD BOLT
15	V528801800	2	HEX CAP SCREW
16	V836855350	2	BLOCK OFF PLATE
17	ACW1796900	2	GASKET [A]
18	V836673329	1	LIFT EYE
19	V640325018	1	PLUG
20	V615881822	1	SEALING WASHER [A]
21	V837084523	1	CYLINDER HEAD GASKET [A]
22	V528801820	2	HEX CAP SCREW
23	V836659278	1	BRACKET
24	V836859110	2	NUT
25	V836859109	2	STUD BOLT
26	V581705000	2	HEX SOCKET SCREW
27	V836667397	1	BRACKET

[A] INCLUDED IN CYLINDER HEAD GASKET KIT 1

A72L TRACTOR (A72-A92 SERIES)
AP35A2955

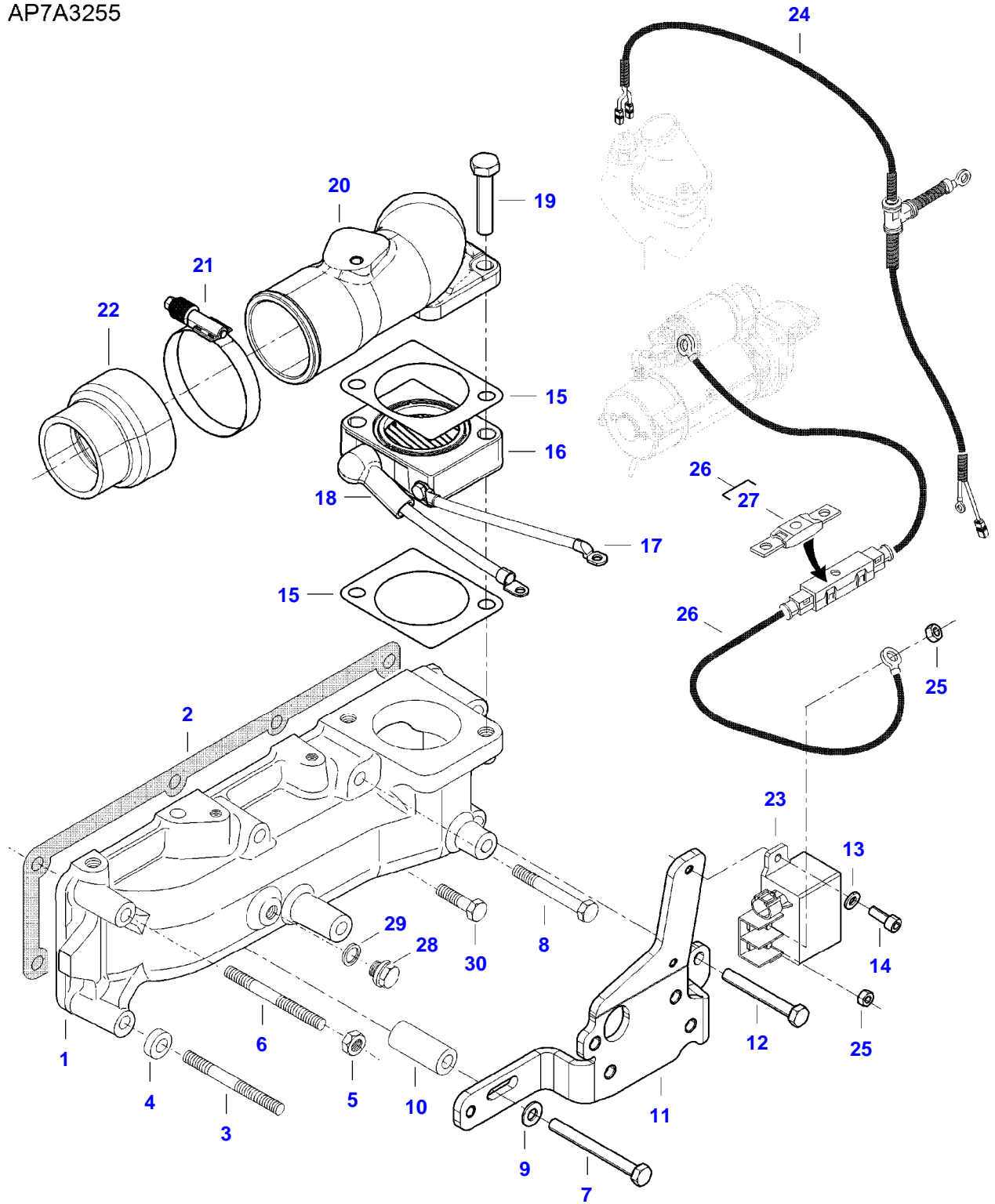
AP35A2955



Item	Part Number	Qty	Description Comments
1	V837070456	1	VALVE ROCKER COVER
2	V519600602	1	NUT (1)
3	V836684766	1	SEALING WASHER (1)
4	V837070442	1	BREATHER CAP (1)
5	V836667459	1	GASKET (1)
6	V837070455	1	BREATHER (1)
7	V528801182	1	HEX CAP SCREW (1)
8	V614901030	2	O-RING [A]
9	V540801782	1	HEXAGON FLANGE BOLT
10	V836667033	1	STUD BOLT
11	V836667243	1	VALVE ROCKER COVER GASKET [A]
12	V602078532	1	HOSE CLIP
13	V837070343	1	SPRING
14	V837070346	1	BREATHER HOSE [A] INCLUDED IN CYLINDER HEAD GASKET KIT 1

A72L TRACTOR (A72-A92 SERIES)
AP7A3255

AP7A3255



Thank you so much for reading.
Please click the “Buy Now!”
button below to download the
complete manual.



After you pay.

You can download the most
perfect and complete manual in
the world immediately.

Our support email:

ebooklibonline@outlook.com