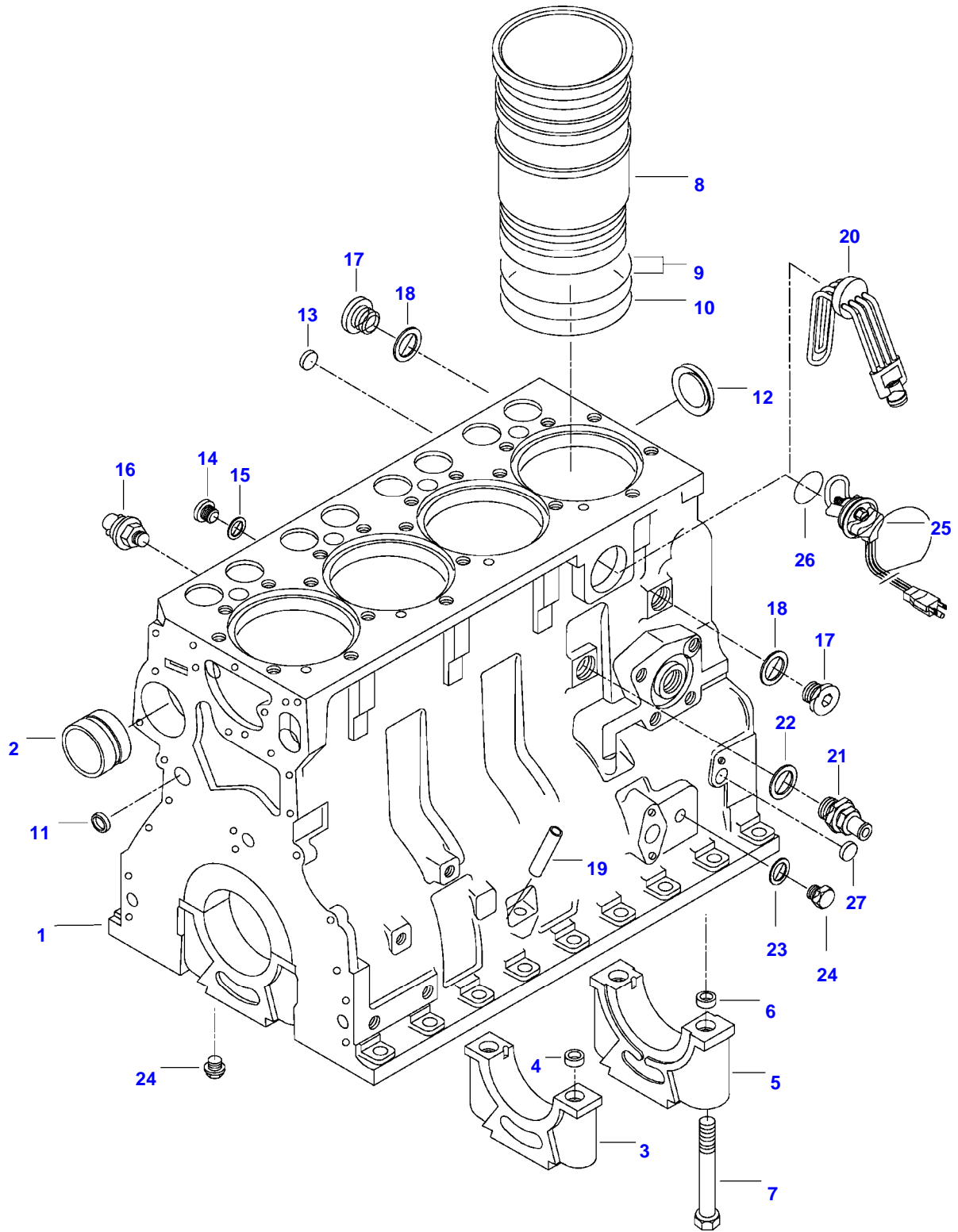


Page Number	Page Title	Page Reference
01-000-TOC	ENGINE, FUEL AND EXHAUST SYSTEM	01-000-TOC
02-000-TOC	AXLES	02-000-TOC
03-000-TOC	STEERING SYSTEM	03-000-TOC
04-000-TOC	DRIVE TRAIN SYSTEM	04-000-TOC
05-000-TOC	BRAKE SYSTEM	05-000-TOC
06-000-TOC	COMPRESSED AIR SYSTEM	06-000-TOC
07-000-TOC	HYDRAULIC SYSTEM	07-000-TOC
08-000-TOC	ELECTRICAL SYSTEM	08-000-TOC
09-000-TOC	CAB	09-000-TOC
10-000-TOC	AIR CONDITIONING AND HEATING SYSTEM	10-000-TOC
11-000-TOC	CHASSIS	11-000-TOC
12-000-TOC	DECALS	12-000-TOC
13-000-TOC	WHEELS	13-000-TOC
14-000-TOC	IMPLEMENT DRIVE SYSTEM	14-000-TOC
15-000-TOC	IMPLEMENT LIFT SYSTEM FRONT	15-000-TOC
16-000-TOC	IMPLEMENT LIFT SYSTEM REAR	16-000-TOC
17-000-TOC	FRONT/REAR LOADERS	17-000-TOC
18-000-TOC	ATTACHMENTS	18-000-TOC
19-000-TOC	GENERAL INFORMATION	19-000-TOC

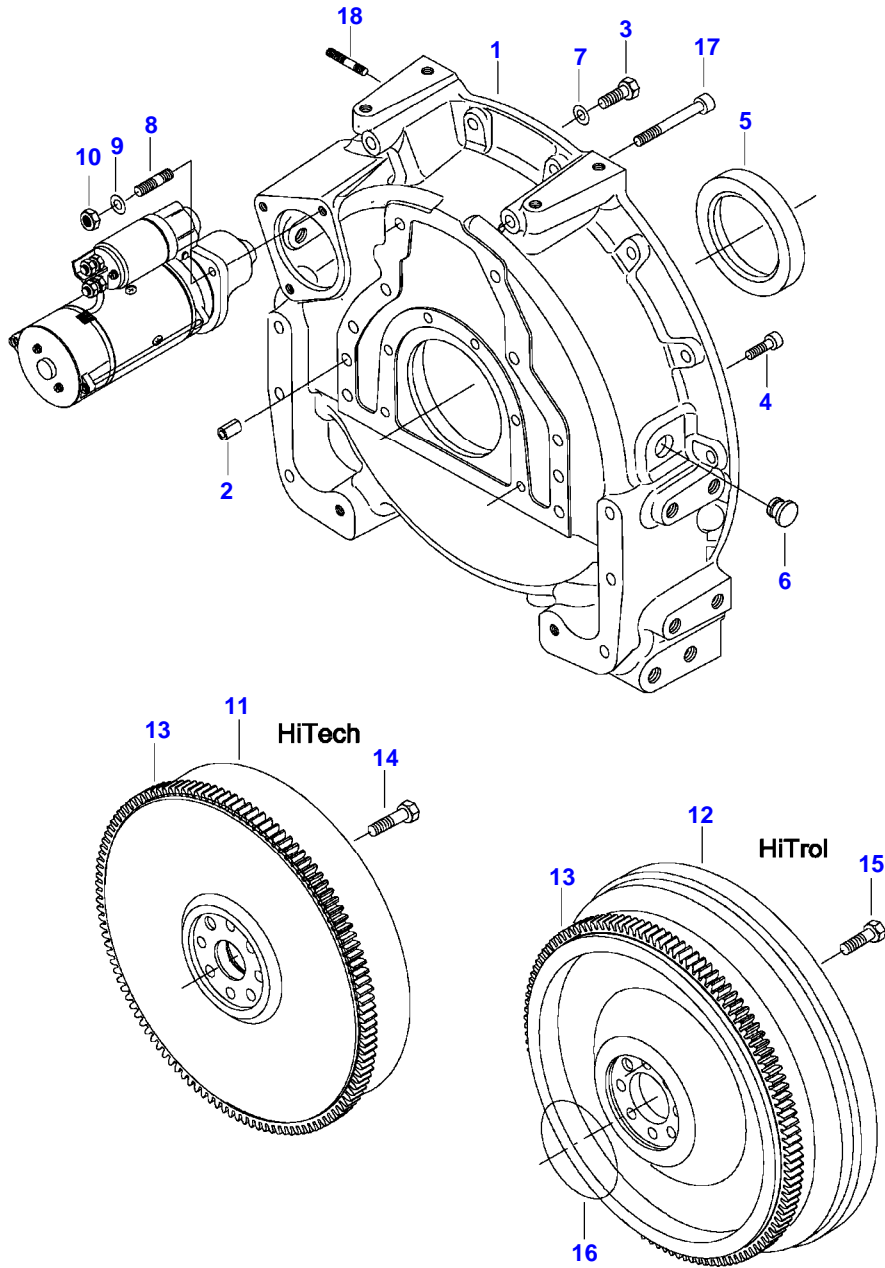
Page Number	Page Title	Page Reference
01-0001	CYLINDERBLOCK	21-02
01-0002	FLYWHEEL AND HOUSING	21-04
01-0003	CYLINDER HEAD	21-06
01-0004	VALVE MECHANISM	21-08
01-0005	CRANK MECHANISM	21-10
01-0006	GEAR HOUSING	21-12
01-0007	OIL SUMP	21-14
01-0008	OIL FILTER	21-16
01-0009	AIR CLEANER	21-18
01-0010	TURBO-CHARGER	21-20
01-0011	INTAKE- AND EXHAUST PIPE	21-22
01-0012	PILLAR EXHAUST PIPE	21-24
01-0013	FUEL FILTER	22-02
01-0014	INJECTION PUMP	22-04
01-0015	ADJUSTING PLATE FOR INJECTOR	22-06
01-0016	SPEED LEVERS	22-08
01-0017	RADIATOR	23-02
01-0018	COOLANT PUMP	23-04
01-0019	STARTERMOTOR	1423153
01-0020	ALTERNATOR	24-04
01-0021	WIRING SET, ENGINE	24-06
01-0022	ENGINE OVERHAUL PARTS	28-02
01-0023	ENGINE HEATER (OPTIONAL EQUIPMENT)	29-02

N82H TRACTOR (N82-N92 SERIES)
SPIMG-019-21-02



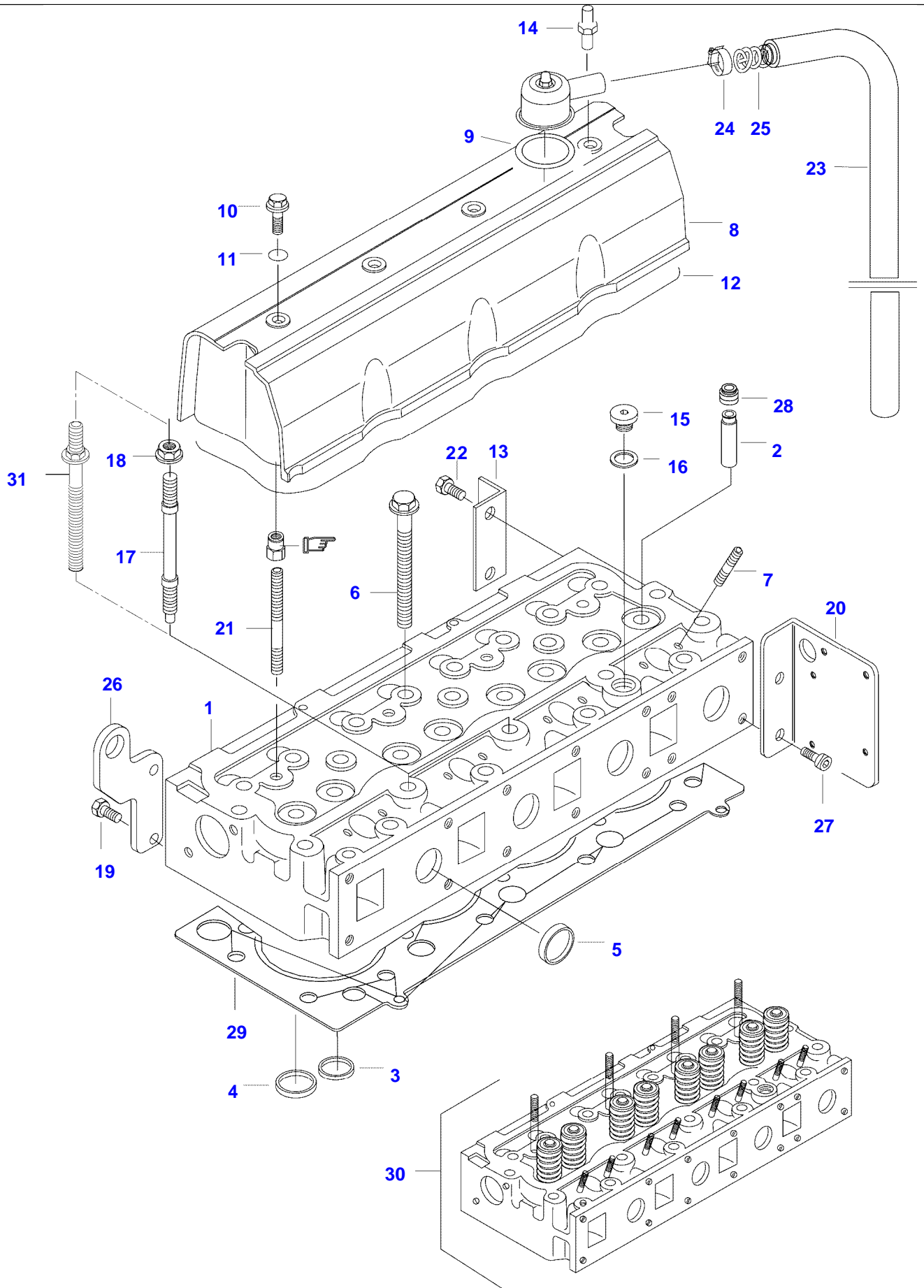
Item	Part Number	Qty	Description Comments	Technical Specification
1	V836766377	1	CYLINDER BLOCK	
2	V836866069	1	CAMSHAFT BEARING BUSHING	
3	NS	4	NON-SERVICEABLE PART	
4	V836214478	8	BEARING COVER GUIDE SLEEVE	
5	NS	1	NON-SERVICEABLE PART	
6	V836214478	2	BEARING COVER GUIDE SLEEVE	
7	V835329030	10	HEX CAP SCREW	
8	V836673191	4	LINER	D108 MM STD
9	V836647502	8	CYLINDER LINER O-RING	
10	V836647503	4	S2 CYLINDER LINER O-RING	
11	V640016016	4	S2 CUP PLUG	
12	V836529872	1	S2 PLUG	
13	V640016018	2	CUP PLUG	
14	V640325110	2	SCREW PLUG	
15	V615571014	2	SEALING WASHER	
16	V887283760	1	S2 PRESSURE SWITCH	
17	V640325018	2	PLUG	
18	V615881822	2	SEALING WASHER	
19	V836666910	1	S2 OIL DIPSTICK GUIDE PIPE	
20	V837070396	1	ENGINE BLOCK HEATER 230V	
21	V836664377	1	DRAIN VALVE	
22	V615881824	1	SEALING WASHER	
23	V615881216	1	S2 SEALING WASHER	
24	V640045112	5	S2 PLUG	
25	V836640935	1	ENGINE BLOCK HEATER CDN	
26	V836640999	1	O-RING	
27	V640016020	1	CUP PLUG	

N82H TRACTOR (N82-N92 SERIES)
SPIMG-019-21-04



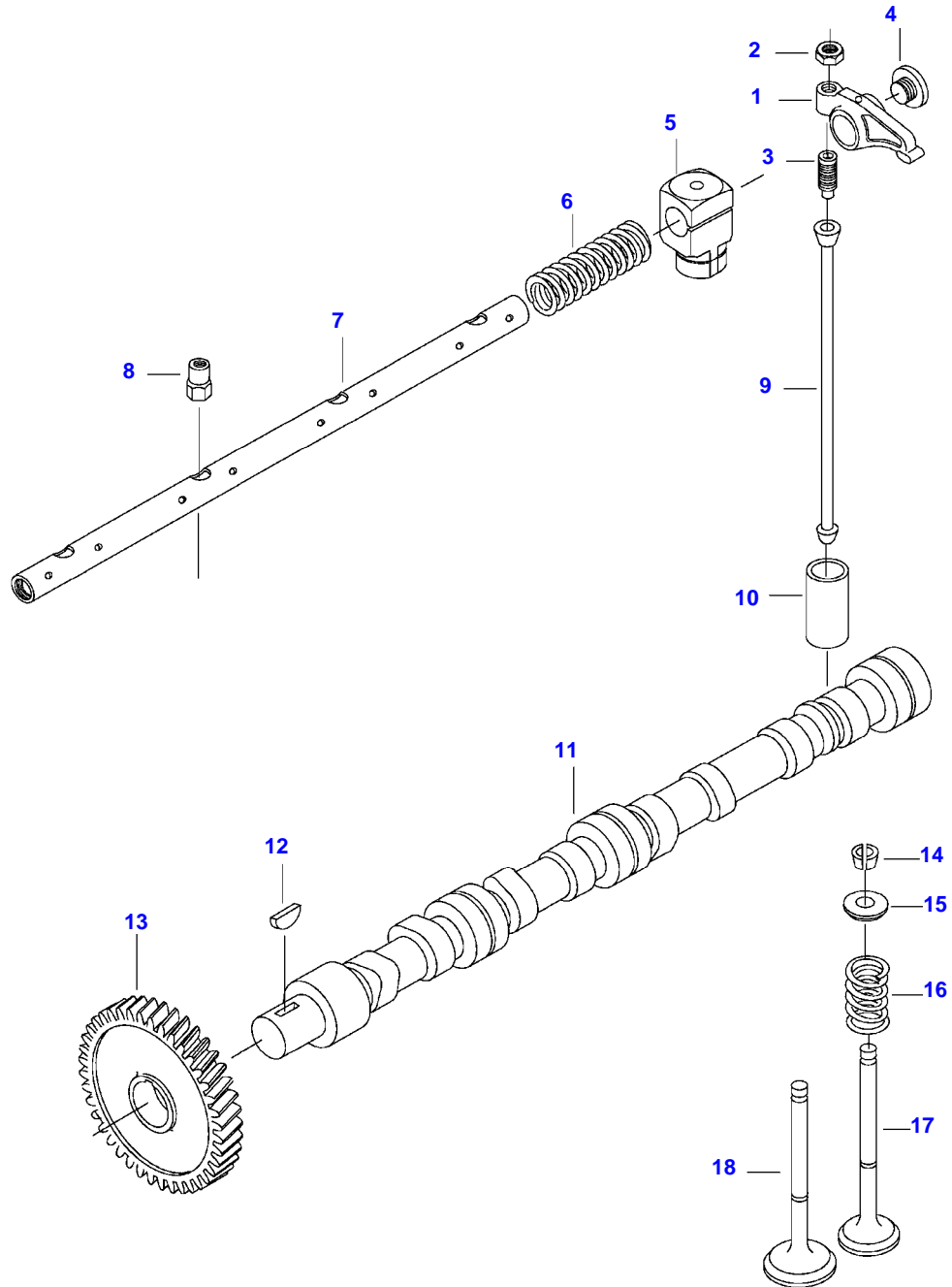
Item	Part Number	Qty	Description Comments
1	V836773046	1	FLYWHEEL HOUSING
2	V598359850	2	PIN
3	V529702220	8	HEX CAP SCREW M12 X 35
4	V581705030	6	HEX SOCKET SCREW M10 X 30
5	V614500002	1	CRANKSHAFT SEAL S2
6	V836007572	1	RUBBER PLUG
7	V500951200	8	SPRING WASHER
8	V546801800	3	STUD BOLT M10 X 30
9	V500951000	3	SPRING WASHER
10	V504601000	3	NUT M10
11	V836659990	1	FLYWHEEL
12	V836766185	1	FLYWHEEL HYDRAULIC CLUTCH
13	V835328783	1	STARTER RING
14	V529702250	8	HEX CAP SCREW 150 NM
15	V528702230	8	HEX CAP SCREW 150 NM
16	V614610930	1	O-RING
17	V581705580	2	HEX SOCKET SCREW M12 X 110
18	V546801822	1	STUD BOLT M10 X 35

N82H TRACTOR (N82-N92 SERIES)
SPIMG-019-21-06



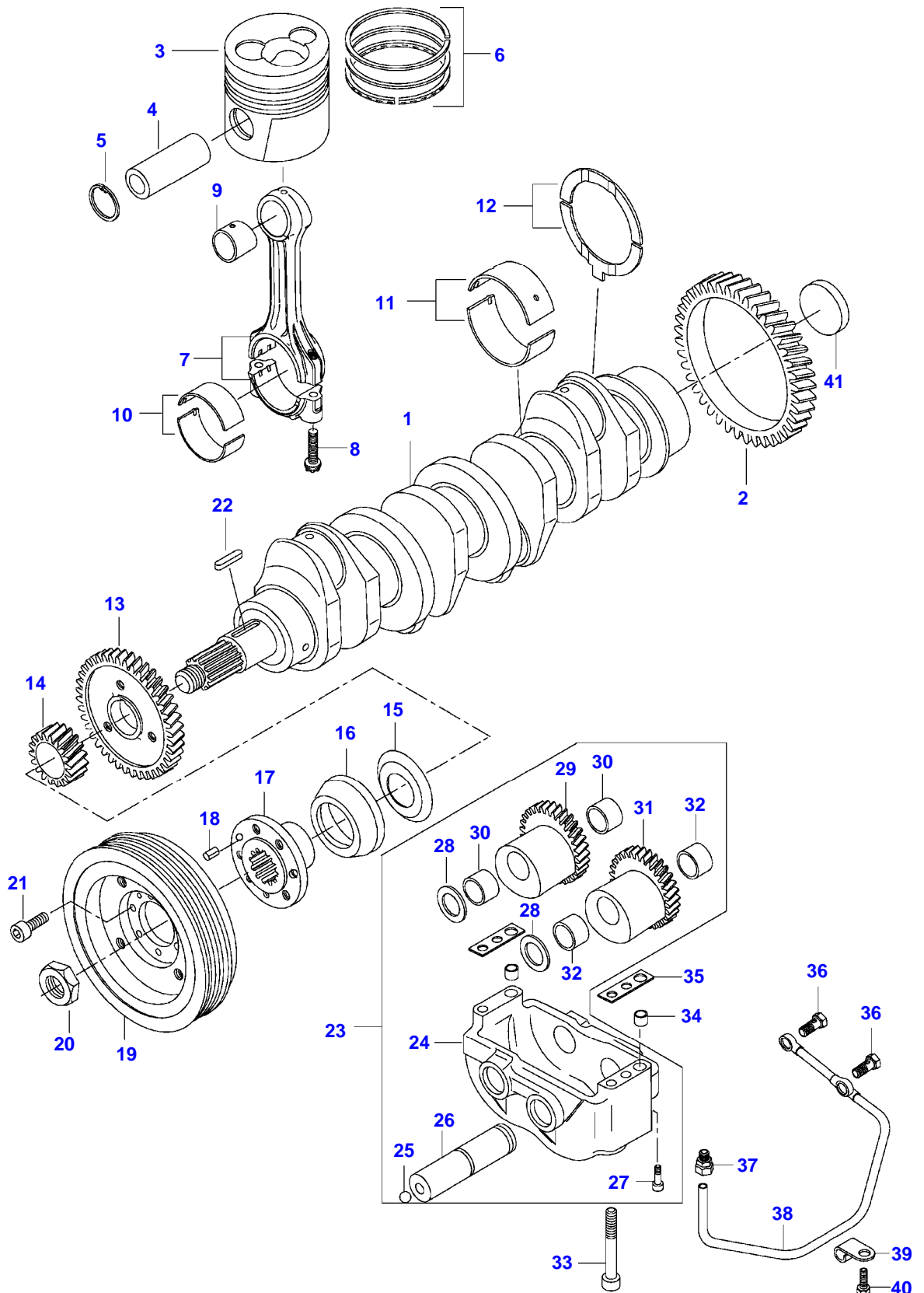
Item	Part Number	Qty	Description Comments
1	NS	1	NON-SERVICEABLE PART CYLINDER HEAD
2	V836673175	8	VALVE GUIDE
3	V836647600	4	VALVE SEAT
4	V836647936	4	EXHAUST VALVE SEAT
5	V836647942	7	INTAKE CUP PLUG
6	V836859104	20	HEXAGON FLANGE BOLT -U03013 (M)
	V837069025	20	CYLINDER HEAD BOLT U03014- (M)
7	V546901435	8	STUD BOLT M8 X 40
8	V837070461	1	VALVE ROCKER COVER
9	V836667459	1	GASKET
10	V540801780	3	HEXAGON FLANGE BOLT M10 X 20
11	V614901030	4	O-RING S1
12	V836767244	1	VALVE ROCKER COVER GASKET S1
13	V836659278	1	BRACKET
14	V836667033	1	STUD BOLT
15	V640325018	1	PLUG
16	V615881822	1	SEALING WASHER S1
17	V836859109	2	STUD BOLT -U01000 (M)
31	V837073571	2	CYLINDER HEAD BOLT U01001- (M)
18	V836859110	2	NUT -U01000 (M)
19	V528801800	2	HEX CAP SCREW M10 X 25
20	V836667397	1	BRACKET
21	V546801900	2	STUD BOLT M10 X 75
22	V528801780	2	HEX CAP SCREW M10 X 20
23	V837073313	1	HOSE FLEXIBLE
24	V602078532	1	HOSE CLIP
25	V837070343	1	SPRING
26	V836673329	1	LIFT EYE
27	V581705000	2	HEX SOCKET SCREW M10 X 20
28	V837073166	8	VALVE STEM GASKET S1
29	V837070291	1	CYLINDER HEAD GASKET S1
30	V836773288	1	CYLINDER HEAD

N82H TRACTOR (N82-N92 SERIES)
SPIMG-019-21-08



Item	Part Number	Qty	Description Comments
	V836767044	1	ROCKER SHAFT ASM
1	V836667042	8	ROCKER ARM
			.
2	V512861000	8	NUT
			..
3	V837069023	8	VALVE ROCKER ADJUSTMENT SCREW
			..
4	V837069020	2	PLUG
			.
5	V836666609	4	BRACKET
			.
6	V836655884	3	SPRING
			.
7	V836755871	1	SHAFT
			.
8	V836655406	4	SLEEVE NUT
9	V836655867	8	PUSHROD
10	V836014264	8	TAPPET
11	V836773053	1	CAMSHAFT
12	V603305760	1	WOODRUFF KEY
13	V836646389	1	GEAR,CAMSHAFT
14	V836646382	16	COTTER
15	V836646381	8	WASHER
16	V836646380	8	SPRING
17	V836646357	4	EXHAUST VALVE
18	V836646356	4	INTAKE VALVE

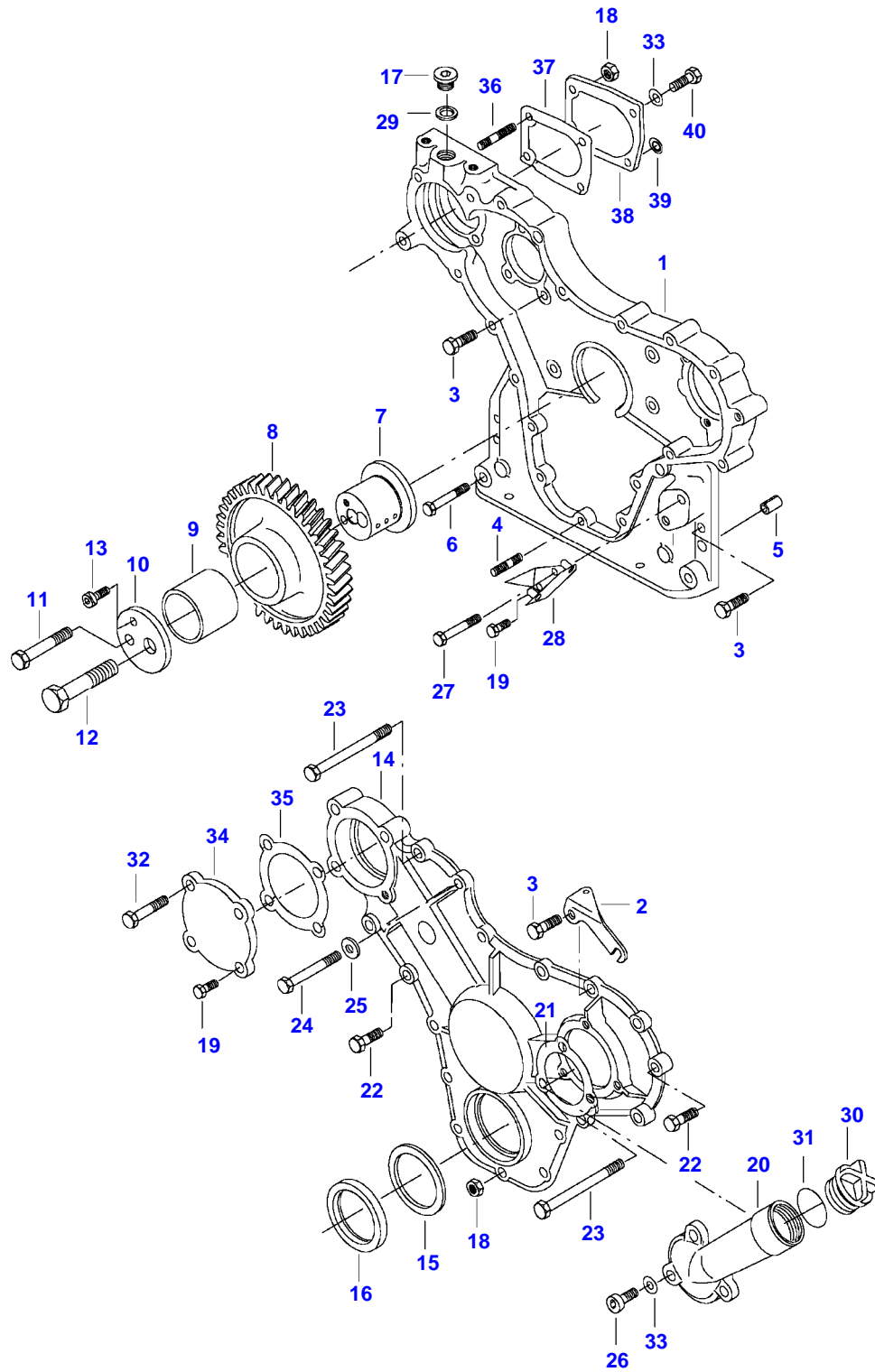
N82H TRACTOR (N82-N92 SERIES)
SPIMG-019-21-10



Item	Part Number	Qty	Description Comments	Technical Specification
1	V836773381	1	CRANKSHAFT	
2	V836124524	1	GEAR	
3	V836666103	4	PISTON	
4	NS	4	NON-SERVICEABLE PART	
5	NS	8	PISTON PIN NON-SERVICEABLE PART	
6	V836640078	4	CIRCLIP PISTON RING KIT	
7	V836740859 NS	1	CONNECTING ROD KIT NON-SERVICEABLE PART	
	NS		CONNECTING ROD 1935-1954 G F NON-SERVICEABLE PART	
	NS		CONNECTING ROD 1955-1974 G V NON-SERVICEABLE PART	
	NS		CONNECTING ROD 1975-1994 G X NON-SERVICEABLE PART	
	NS		CONNECTING ROD 1995-2014 G Y NON-SERVICEABLE PART	
	NS		CONNECTING ROD 2015-2034 G W NON-SERVICEABLE PART	
	NS		CONNECTING ROD 2035-2054 G Z NON-SERVICEABLE PART	
8	V836864141	8	CONNECTING ROD 2055-2074 G G CONNECTING ROD BOLT	
9	V836110646	4	BEARING BUSH	STD
10	V836110552	4	BEARING SHELL SEE PAGE 01-0022	
11	V836655514	5	MAIN BEARING SEE PAGE 01-0022	
12	V836119459	2	THRUST WASHER SEE PAGE 01-0022	
13	V836119550	1	GEAR,CRANKSHAFT	
14	V836122840	1	GEAR,CRANKSHAFT	
15	V836129781	1	RING	
16	V836136271	1	SHIELD	
17	V836846463	1	CRANKSHAFT HUB	
18	V595953360	1	PIN	
19	V836766988	1	CRANKSHAFT PULLEY	
20	V836647310	1	CRANKSHAFT NUT	
21	V581804600	6	HEX SOCKET SCREW M8X20	
22	V603345110	1	KEY	
23	V836766123	1	COUNTERWEIGHT	
24	NS	1	NON-SERVICEABLE PART FRAME	

Item	Part Number	Qty	Description Comments	Technical Specification
25	V616810103	2	BALL	
26	V836146879	2	SHAFT	
27	V581804202	2	HEX SOCKET SCREW	
28	V836146880	4	M6 X 20 THRUST WASHER	
29	V836766121	1	COUNTERWEIGHT	
30	V836146876	2	BEARING BUSH	
31	V836766122	1	COUNTERWEIGHT	
32	V836146876	2	BEARING BUSH	
33	V581805170	4	HEX SOCKET SCREW M10 X 100	
34	V598359850	2	PIN	
35	V836119920	X	SHIM	
36	V640435008	2	BANJO BOLT	
37	V641016008	1	STRAIGHT FITTING	
38	V836747478	1	OIL PIPE	
39	V602071608	1	RETAINER CLAMP	
40	V528801062	1	HEX CAP SCREW M6 X 16	
41	V836652250	1	PLUG	

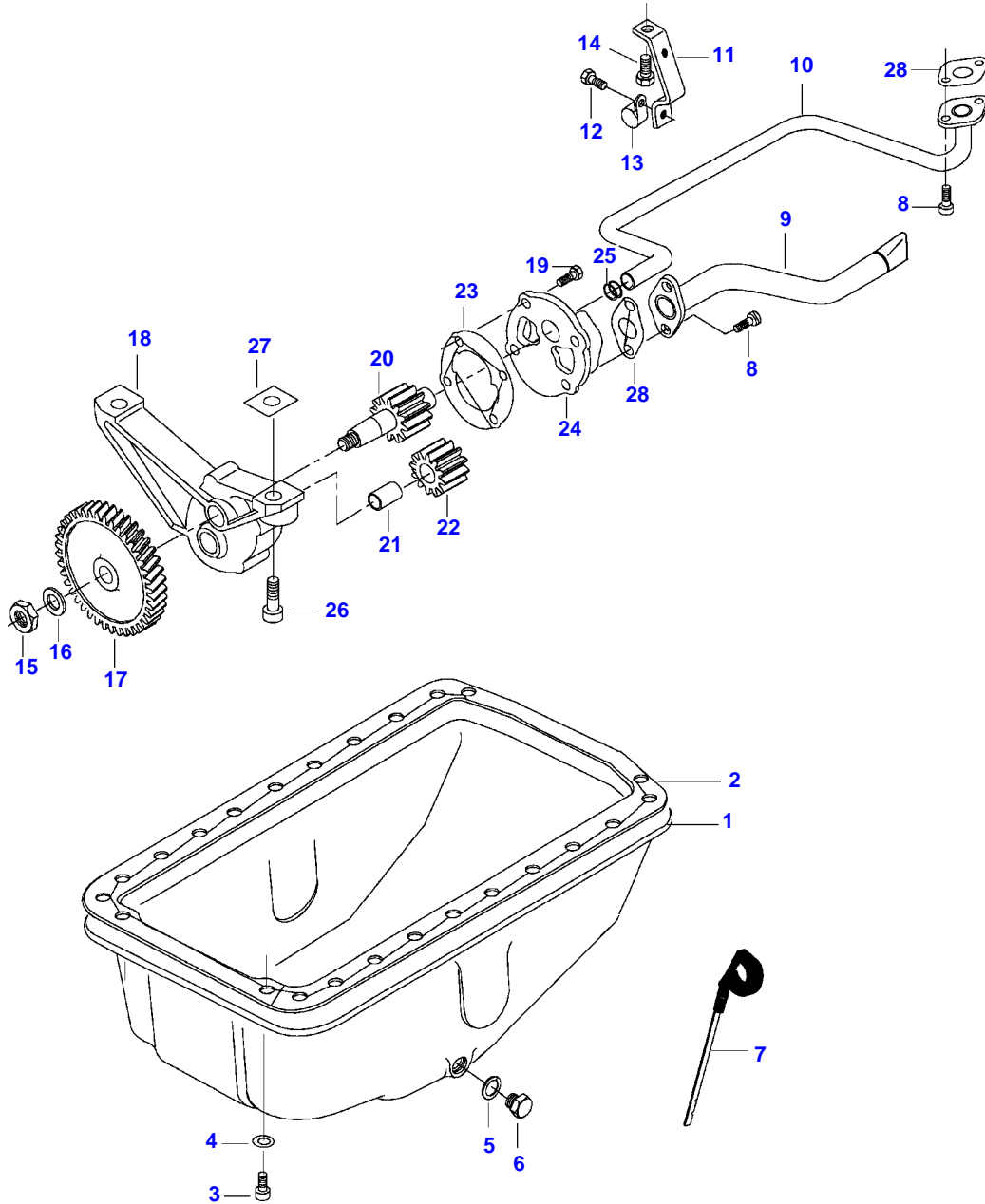
N82H TRACTOR (N82-N92 SERIES)
SPIMG-019-21-12



Item	Part Number	Qty	Description Comments
1	V836667948	1	TIMING GEAR CASE
2	V836667373	1	SUPPORT
3	V528801400	12	HEX CAP SCREW M8 X 25
4	V546801380	5	STUD BOLT M8 X 20
5	V598359850	4	PIN
6	V529801440	2	HEX CAP SCREW M8 X 45
7	V836673332	1	IDLER GEAR
7	V836766127	1	SHAFT
8	V836138354	1	IDLER GEAR
9	V836139039	1	BUSHING
10	V836129845	1	FLANGE
11	V529801910	1	HEX CAP SCREW M10 X 80
12	V529902720	1	HEX CAP SCREW M14 X 85
13	V581804602	1	HEX SOCKET SCREW M8 X 20
14	V836647575	1	GEAR HOUSING FRONT COVER
15	V836129782	1	COVER
16	V836673387	1	SHAFT SEAL S2
17	V640325018	1	PLUG
18	V504800800	8	NUT M8
19	V528801362	1	HEX CAP SCREW M8 X 16
20	V835338325	1	ENGINE OIL FILL PIPE
21	V836129946	1	GASKET S2
22	V528801420	3	HEX CAP SCREW M8 X 35
23	V529801500	2	HEX CAP SCREW M8 X 75
24	V529801470	3	HEX CAP SCREW M8 X 60
25	V836120989	1	WASHER
26	V577904620	3	HEX SOCKET SCREW M8 X 25
27	V529801450	1	HEX CAP SCREW M8 X 50
28	V836655720	1	TIMING MARK INDICATOR
29	V615881822	1	SEALING WASHER S2
30	V836017927	1	CAP
31	V614603540	1	O-RING S2
32	V529801430	3	HEX CAP SCREW M8 X 40
33	V500950800	6	SPRING WASHER
34	V835338665	1	COVER
35	V835338664	1	GASKET S2
36	V546801410	2	STUD BOLT M8 X 30
37	V836022077	1	GASKET S2

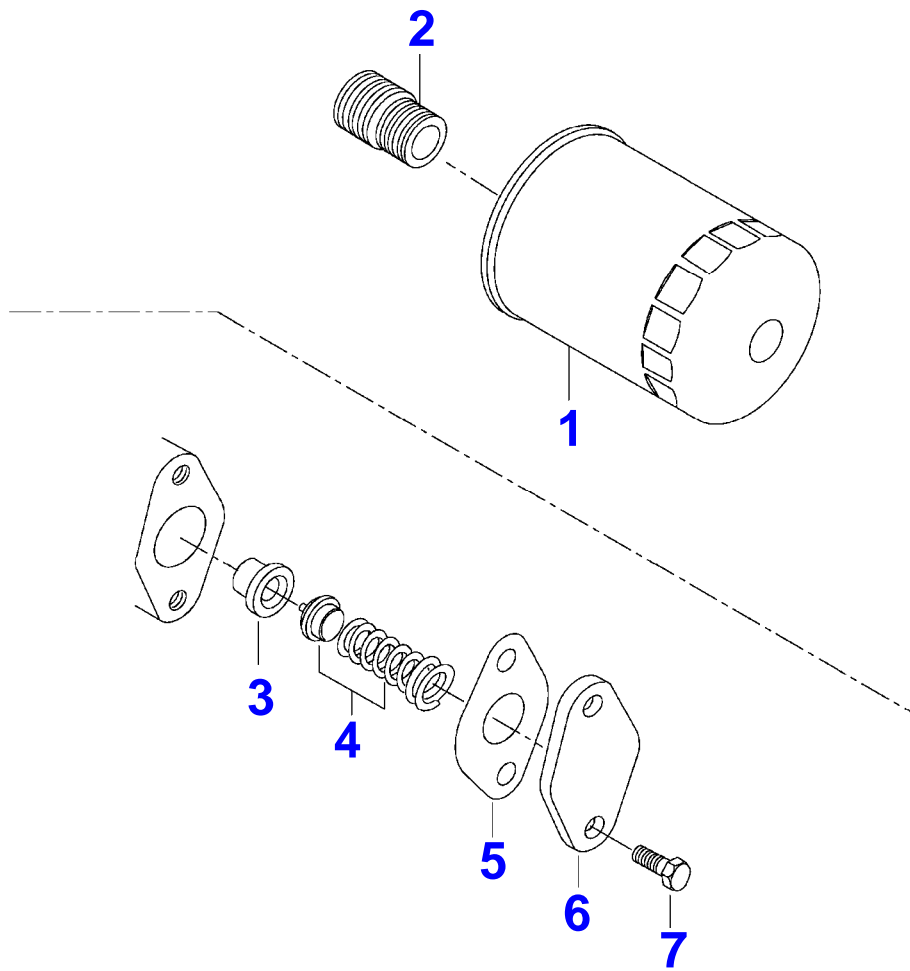
Item	Part Number	Qty	Description Comments
38	V836122076	1	COVER
39	V836015967	1	SEALING WASHER S2
40	V528801380	2	HEX CAP SCREW M8 X 20

N82H TRACTOR (N82-N92 SERIES)
SPIMG-019-21-14



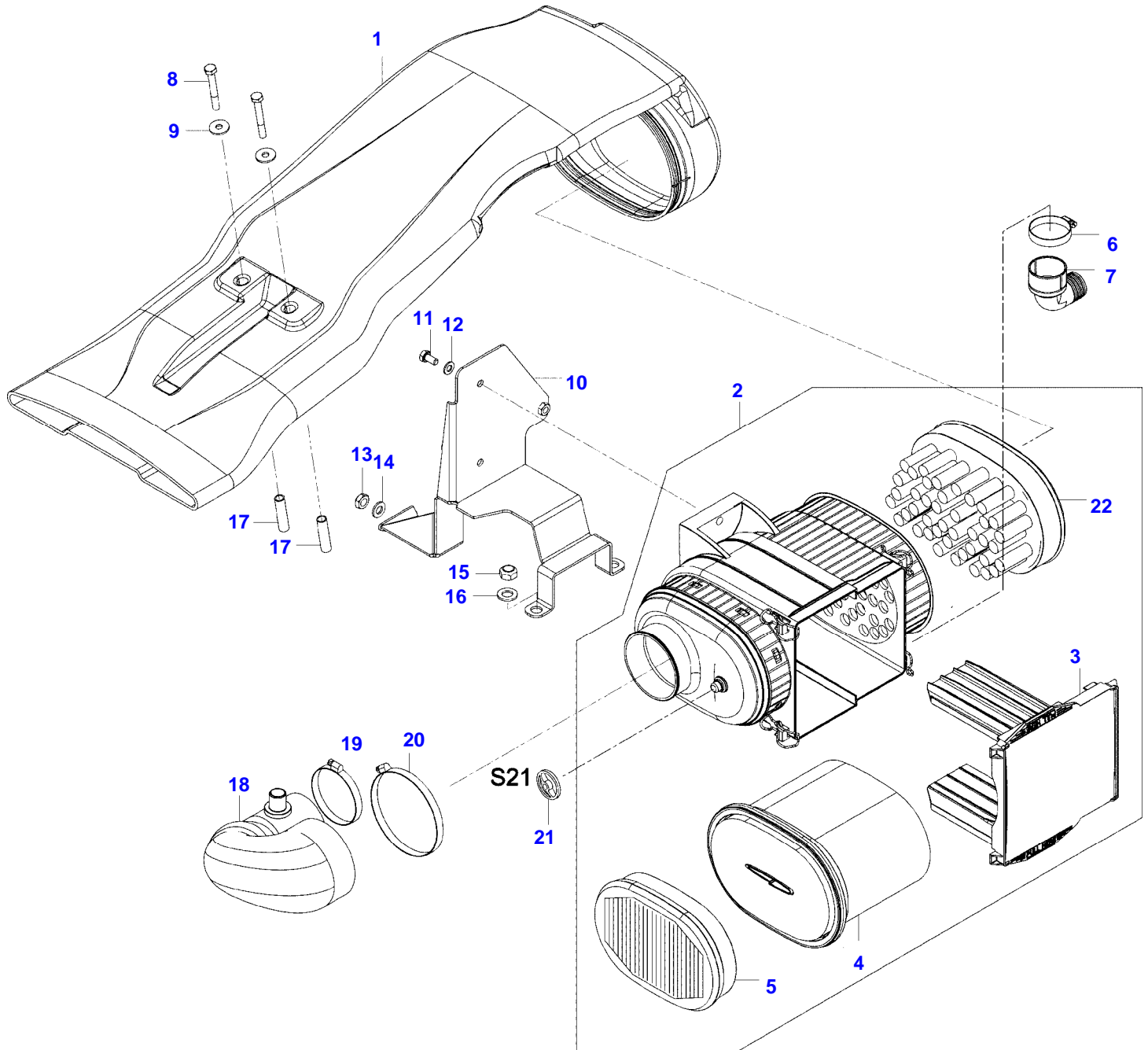
Item	Part Number	Qty	Description Comments
1	V836128794	1	OIL SUMP
2	V836107726	1	OIL SUMP GASKET S2
3	V581804580	22	HEX SOCKET SCREW M8 X 16
4	V500950800	22	SPRING WASHER
5	V615881827	1	SEALING WASHER S2
6	V836655493	1	PLUG
7	V836666908	1	DIPSTICK ORANGE
8	V581804600	4	HEX SOCKET SCREW M8 X 20
9	V836759171	1	OIL PUMP SUCTION PIPE
10	V836773149	1	OIL PIPE
11	V836673150	1	SUPPORT
12	V602074522	1	RETAINER CLAMP
13	V528801360	1	HEX CAP SCREW M8 X 16
14	V528801760	1	HEX CAP SCREW M10 X 16
15	V836773146	1	LUBRICATING OIL PUMP
	V504861000	1	NUT M10
16	V836122910	1	WASHER
17	V836338667	1	GEAR
18	NS	1	NON-SERVICEABLE PART FRAME
19	V528801380	4	HEX CAP SCREW M8X20
20	V836652600	1	OIL PUMP SHAFT
21	V836120191	1	OIL PUMP SHAFT
22	V836120193	1	GEAR
23	V836119796	1	GASKET S2
24	NS	1	NON-SERVICEABLE PART COVER
25	V614702230	2	O-RING
26	V581805050	2	HEX SOCKET SCREW M10 X 40
27	V836007871	X	SHIM
28	V836008449	2	GASKET S2

N82H TRACTOR (N82-N92 SERIES)
SPIMG-019-21-16



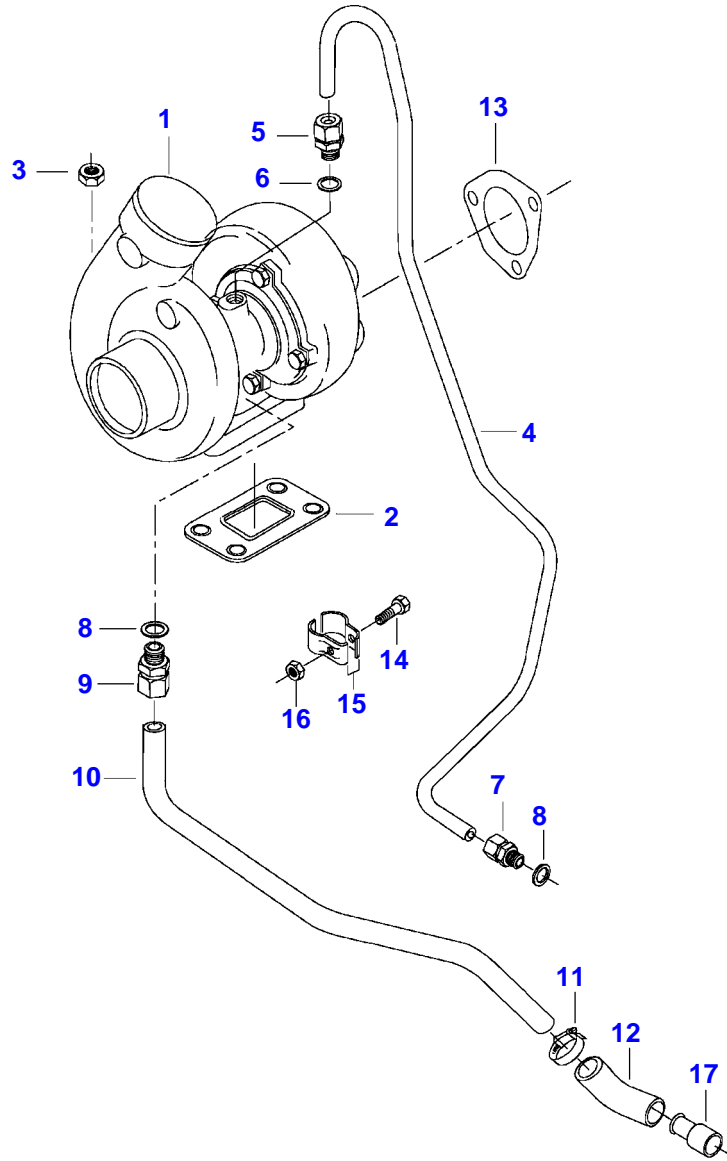
Item	Part Number	Qty	Description Comments
1	V836462576	1	ENGINE OIL FILTER
2	V836647404	1	UNION
	V836662129	1	OIL PRESSURE CONTROL VALVE
3	V836659521	1	VALVE SEAT
			.
4	V836667649	1	SPRING ASSEMBLY
			.
5	V836322190	1	GASKET
			.
			S2
6	V836659524	1	COVER
			.
7	V528801380	2	HEX CAP SCREW
			.
			M8 X 20

N82H TRACTOR (N82-N92 SERIES)
SPIMG-019-21-18



Item	Part Number	Qty	Description Comments	Technical Specification
1	V37153200	1	AIR DUCT	
2	V37352800	1	AIR FILTER ASSEMBLY	
22	V37351700	1	CYCLONE FILTER	
3	V37352000	1	COVER	
4	V37352500	1	AIR FILTER	
5	V37352700	1	MAIN FILTER AIR FILTER	
6	VGP3940	1	HOSE CLIP	D=50 SMS2298
7	V37152500	1	ADAPTER	
8	VHA8328	2	SCREW	M8 X 60 SFS_EN_ISO_4014 8.8
9	VJD8007	2	WASHER	8.4X2 DIN 9021
10	V37544500	1	LOCATING PLATE	
11	VHA6322	2	SCREW	M8 X 16 SFS_EN_ISO_4017 8.8
12	VJD0408	2	WASHER	M8
13	VJB9928	1	LOCKNUT	M10 DIN980
14	VJD0410	1	WASHER	10.5 X 2 SFS-EN_ISO_7089
15	VJB9929	2	NUT	M12 ISO 7042
16	VJD0412	2	WASHER	13 X 2.5 SFS-EN_ISO_7089
17	V37264100	2	SLEEVE BUSHING	
18	V37108600	1	SUCTION PIPE	
19	VGP3942	1	HOSE CLIP	D=75 SMS2298
20	VGP3935	1	HOSE CLIP	D=112 SMS2298
21	V34654000	1	SENSOR	65 BAR

N82H TRACTOR (N82-N92 SERIES)
SPIMG-019-21-20



Item	Part Number	Qty	Description Comments
1	V836759238	1	TURBOCHARGER
2	V836740277	1	GASKET
			.
3	V504800800	4	S1 NUT M8
4	V836773334	1	TURBOCHARGER LUBRICATION OIL PIPE
5	V641086008	1	STRAIGHT FITTING
6	V615881216	1	SEALING WASHER S1
7	V641876008	1	STRAIGHT FITTING
8	V615881620	2	SEALING WASHER S1
9	V641086012	1	STRAIGHT FITTING
10	V836766668	1	TURBOCHARGER LUBRICATION OIL PIPE
11	V602079516	2	HOSE CLIP
12	V836647215	1	RUBBER ELBOW
13	V836766066	1	GASKET S1
14	V528800802	1	HEX CAP SCREW M5 X 25
15	V836647217	2	BAND
16	V510600502	1	NUT M5
17	V836747650	1	PIPE

Thank you so much for reading.
Please click the “Buy Now!”
button below to download the
complete manual.



After you pay.

You can download the most
perfect and complete manual in
the world immediately.

Our support email:

ebooklibonline@outlook.com