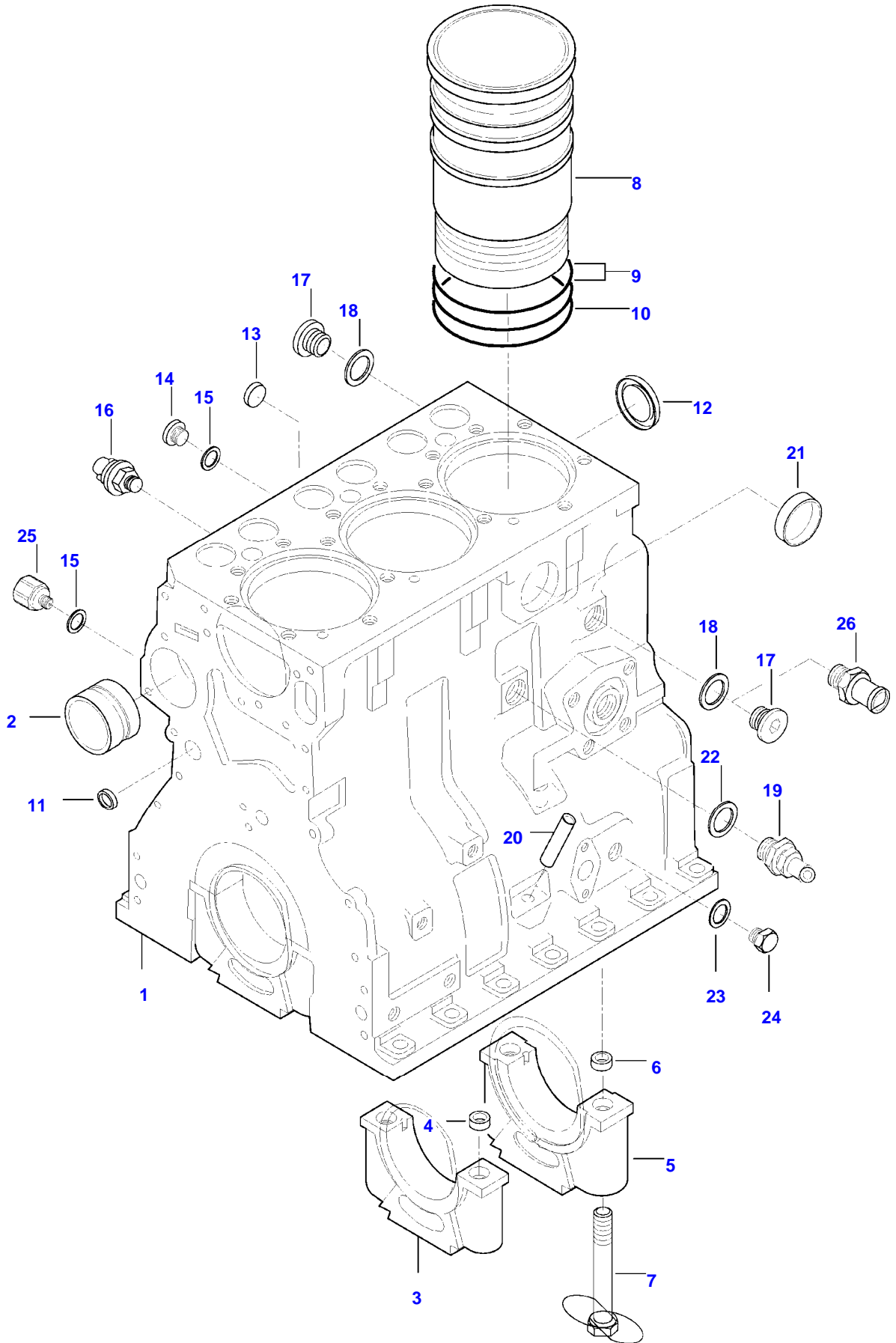


Page Number	Page Title	Page Reference
01-000-TOC	ENGINE, FUEL AND EXHAUST SYSTEM	01-000-TOC
02-000-TOC	AXLES	02-000-TOC
03-000-TOC	STEERING SYSTEM	03-000-TOC
04-000-TOC	DRIVE TRAIN SYSTEM	04-000-TOC
05-000-TOC	BRAKE SYSTEM	05-000-TOC
06-000-TOC	HYDRAULIC SYSTEM	06-000-TOC
07-000-TOC	ELECTRICAL SYSTEM	07-000-TOC
08-000-TOC	CAB	08-000-TOC
09-000-TOC	CHASSIS	09-000-TOC
10-000-TOC	DECALS	10-000-TOC
11-000-TOC	WHEELS	11-000-TOC
12-000-TOC	IMPLEMENT DRIVE SYSTEM	12-000-TOC
13-000-TOC	IMPLEMENT LIFT SYSTEM REAR	13-000-TOC
14-000-TOC	ATTACHMENTS	14-000-TOC
15-000-TOC	GENERAL INFORMATION	15-000-TOC

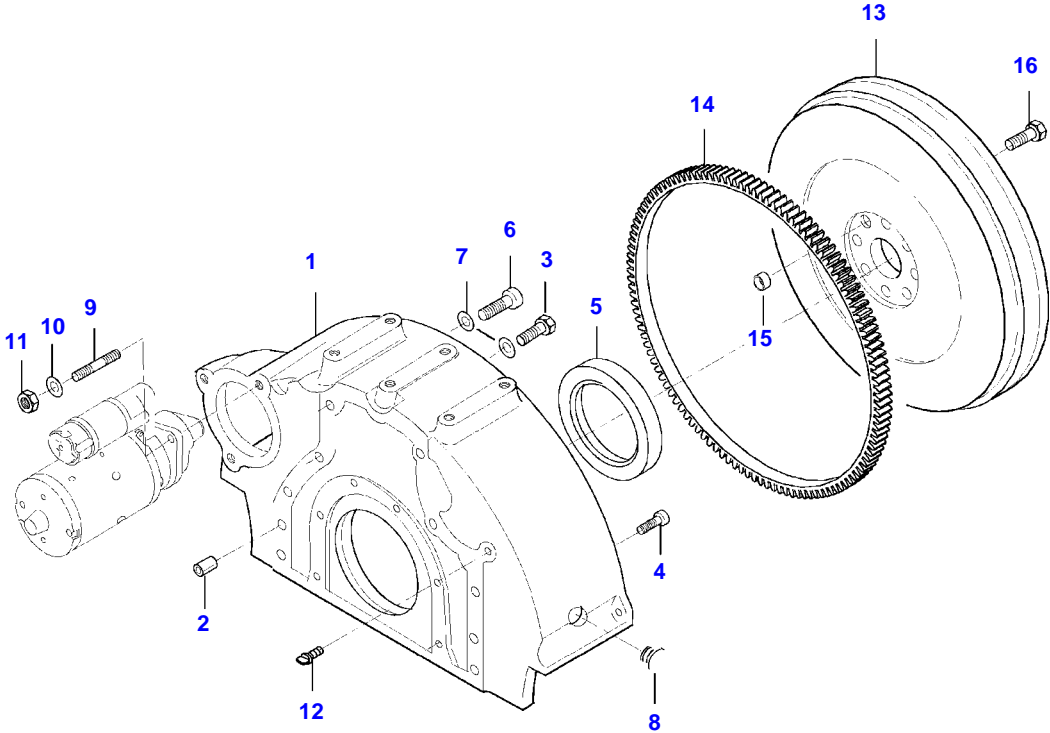
Page Number	Page Title	Page Reference
01-0001	CYLINDERBLOCK	21-02A
01-0002	FLYWHEEL AND HOUSING	21-06
01-0003	CYLINDER HEAD	21-08A
01-0004	VALVE MECHANISM	21-12A
01-0005	CRANK MECHANISM	21-16A
01-0006	GEAR HOUSING	21-20
01-0007	OIL SUMP	21-22
01-0008	OIL FILTER	21-26A
01-0009	AIR CLEANER	21-28
01-0010	TURBO-CHARGER	21-30A
01-0011	INTAKE- AND EXHAUS PIPE	21-34
01-0012	PILLAR EXHAUST PIPE	21-38
01-0013	FUEL FILTER	22-02
01-0014	FUEL PIPES	22-04
01-0015	INJECTION PUMP	22-06A
01-0016	INJECTOR, DISTRIBUTOR PUMP	22-10
01-0017	SPEED LEVERS	22-12
01-0018	RADIATOR	23-02A
01-0019	COOLANT PUMP	23-06
01-0020	STARTERMOTOR	24-02
01-0021	ALTERNATOR	24-04
01-0022	WIRING SET, ENGINE	24-06
01-0023	ENGINE REPAIR KIT AND BEARINGS	28-10
01-0024	LOW EXHAUST PIPE (OPTIONAL EQUIPMENT)	29-08

A95L TRACTOR (AN SERIES)
SPIMG-014-21-02A



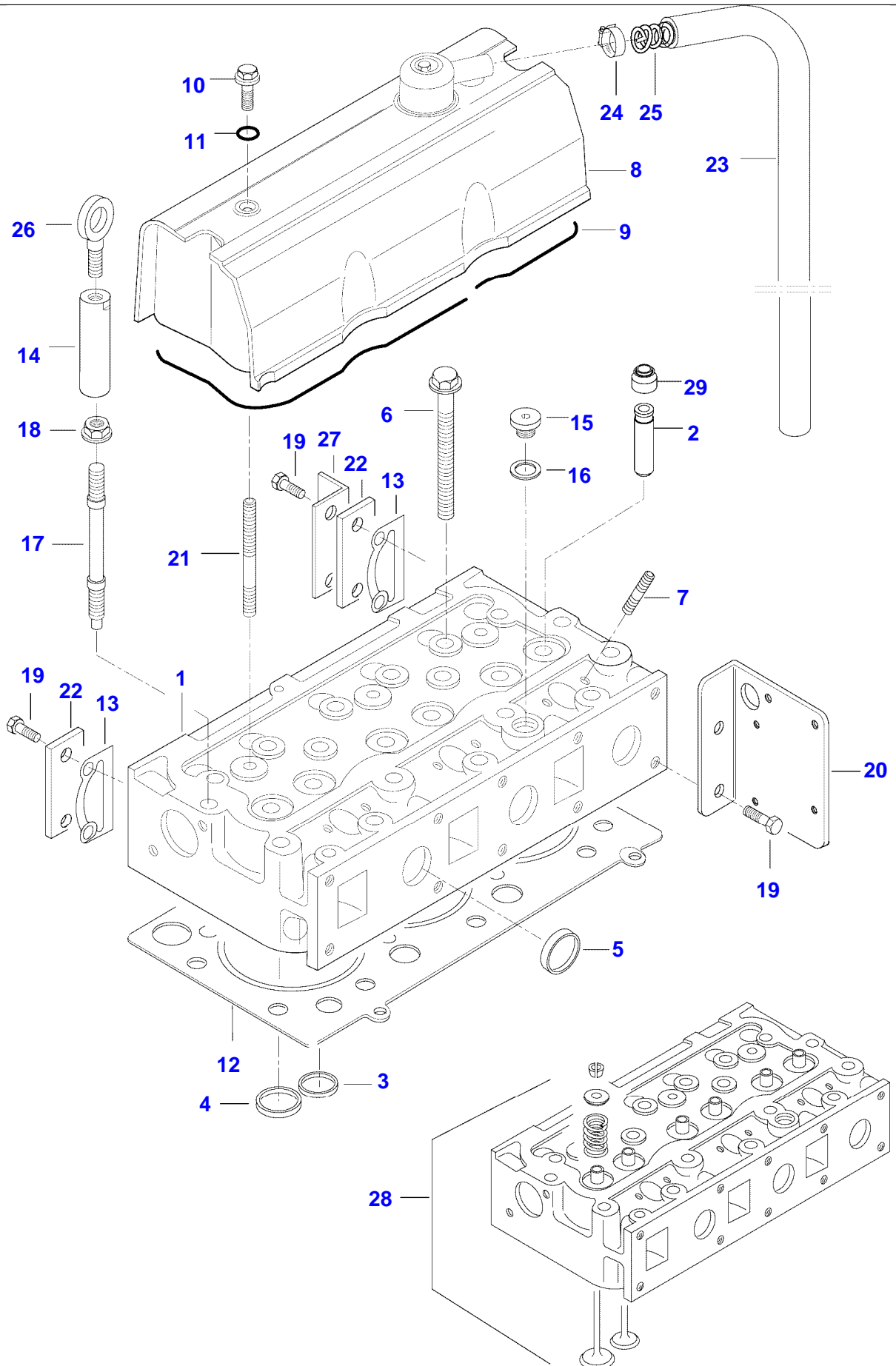
Item	Part Number	Qty	Description Comments
1	V836667523	1	CYLINDER BLOCK
2	V836866069	1	CAMSHAFT BEARING BUSHING
3	NS	3	NON-SERVICEABLE PART
4	V836214478	6	BEARING COVER GUIDE SLEEVE
5	NS	1	NON-SERVICEABLE PART
6	V836214478	2	BEARING COVER GUIDE SLEEVE
7	V835329030	8	HEX CAP SCREW
8	V836666990	3	LINER
9	V836647502	6	CYLINDER LINER O-RING S2
10	V836647503	3	CYLINDER LINER O-RING S2
11	V640016016	4	CUP PLUG S2
12	V836529872	1	PLUG
13	V640016018	1	CUP PLUG
14	V640325110	1	SCREW PLUG
15	V615571014	2	SEALING WASHER S2
16	V887283760	1	PRESSURE SWITCH
17	V640325018	2	PLUG
18	V615881822	2	SEALING WASHER
19	V836664377	1	DRAIN VALVE
20	V836666910	1	OIL DIPSTICK GUIDE PIPE
21	V640016040	1	CUP PLUG
22	V615881824	1	SEALING WASHER S2
23	V615881216	2	SEALING WASHER S2
24	V640045112	2	PLUG
25	V836655736	1	UNION
26	V836119837	1	HOSE COUPLER 33DTA
	V836640356	1	ENGINE GASKET KIT S1+S2
	V836640289	1	ENGINE GASKET KIT S1

A95L TRACTOR (AN SERIES)
SPIMG-014-21-06



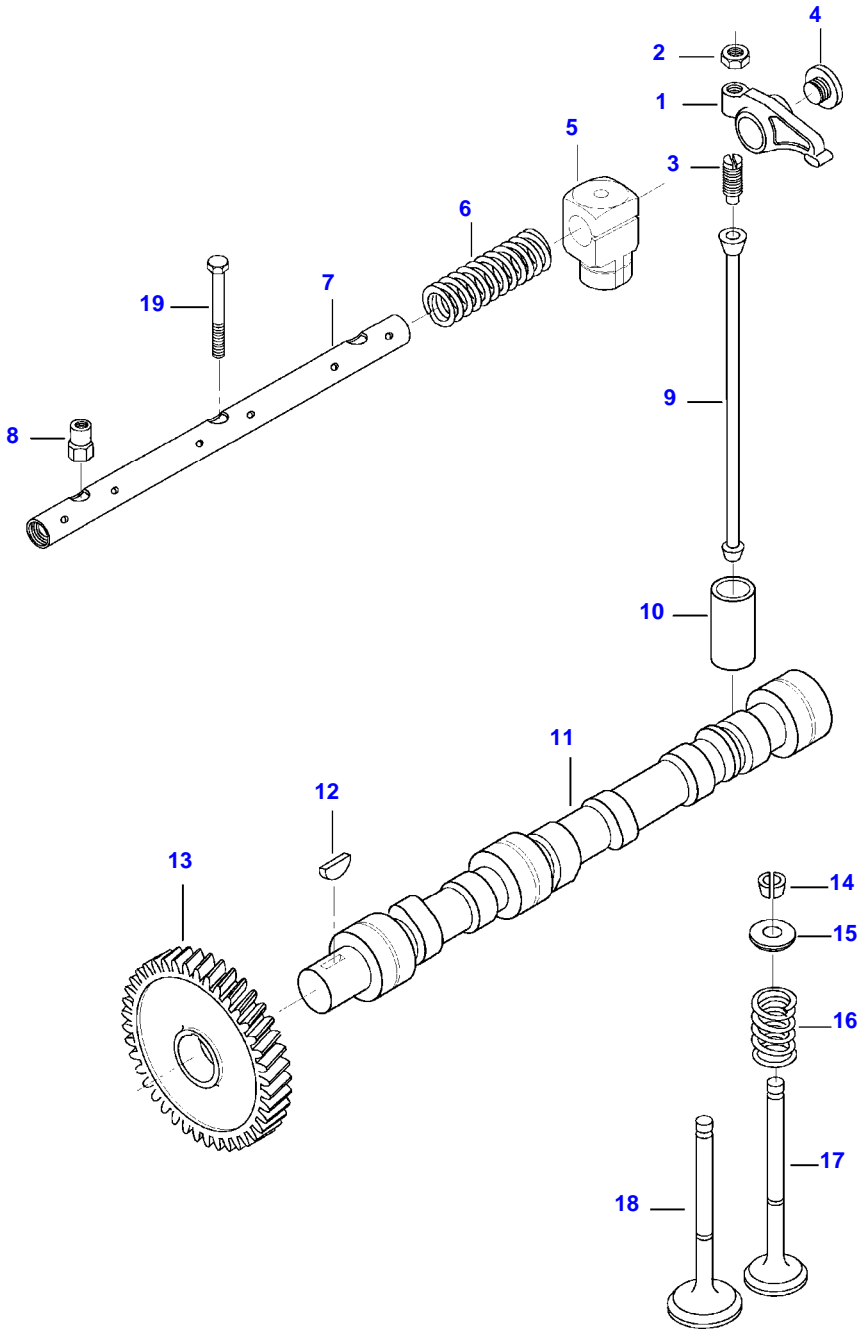
Item	Part Number	Qty	Description Comments
1	V836752443	1	FLYWHEEL HOUSING
2	V598359850	2	PIN
3	V529702220	6	HEX CAP SCREW M12 X 35
4	V581705030	6	HEX SOCKET SCREW M10 X 30
5	V614500002	1	CRANKSHAFT SEAL S2
6	V581705440	2	HEX SOCKET SCREW M12 X 35
7	V500951200	8	SPRING WASHER
8	V836007572	1	RUBBER PLUG
9	V546801800	3	STUD BOLT M10 X 25
10	V500951000	3	SPRING WASHER
11	V504601000	3	NUT M10
12	V836859311	1	PLUG
13	V836538043	1	FLYWHEEL
14	V836117970	1	STARTER RING
15	V836659527	1	GUIDE SLEEVE
16	V528702220	8	HEX CAP SCREW 150 NM

A95L TRACTOR (AN SERIES)
SPIMG-014-21-08A



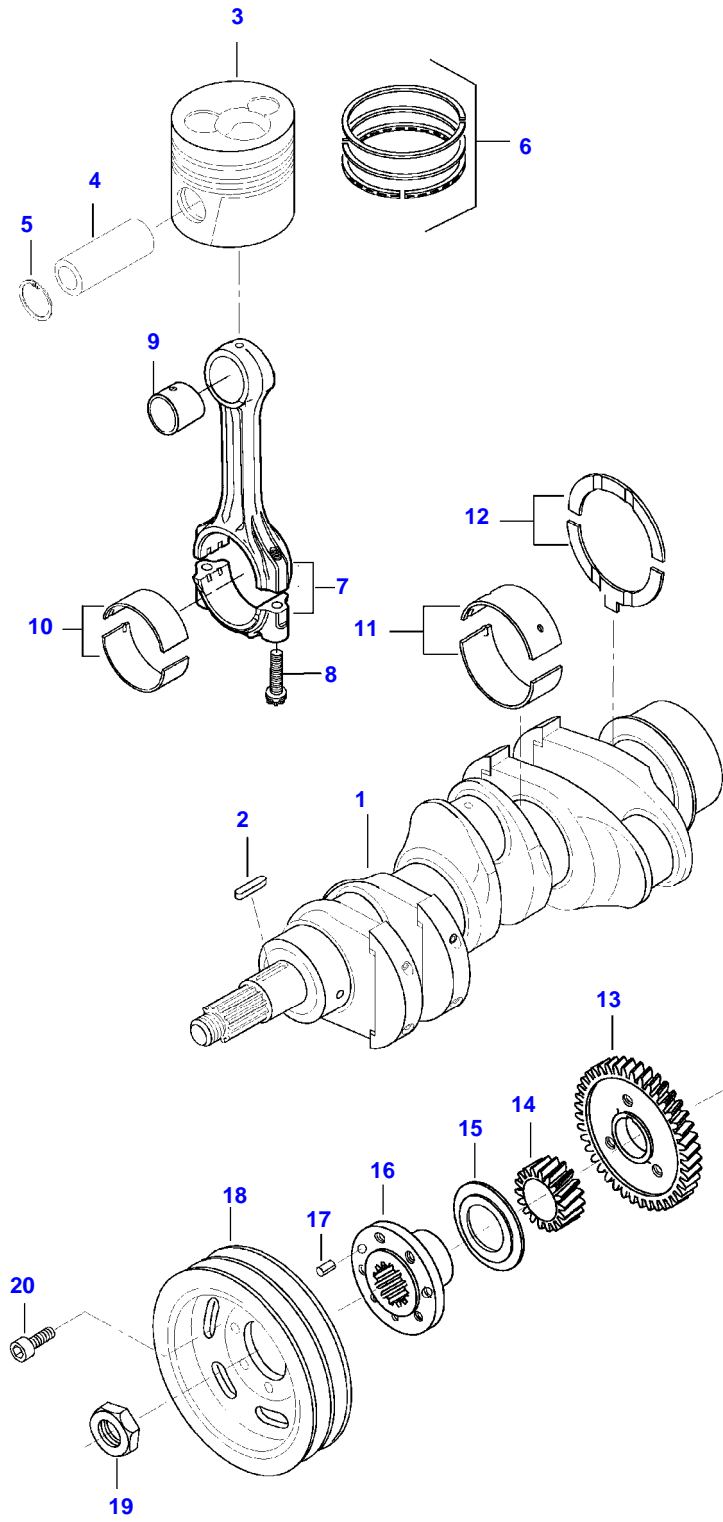
Item	Part Number	Qty	Description Comments
1	NS	1	NON-SERVICEABLE PART CYLINDER HEAD 33 DT
	NS	1	NON-SERVICEABLE PART CYLINDER HEAD 33 DTA
2	V836647601	6	GUIDE . -WEEK 23/2007
	V836673175	6	VALVE GUIDE . WEEK 24/2007-
29	V837073166	6	VALVE STEM GASKET . D=9 WEEK 24/2007-
3	V836647600	3	VALVE SEAT . EXHAUST
4	V836647936	3	VALVE SEAT . INTAKE 33 DTA
5	V836647942	5	CUP PLUG .
6	V836859104	16	HEXAGON FLANGE BOLT
7	V546901435	6	STUD BOLT M8 X 40
8	V836667206	1	VALVE COVER
9	V836667243	1	VALVE ROCKER COVER GASKET S1
10	V540801780	2	HEXAGON FLANGE BOLT M10 X 20
11	V614901030	2	O-RING
12	V836666302	1	CYLINDER HEAD GASKET S1
13	V836867391	2	GASKET S1
14	V836667062	1	LIFTING EYE EXTENSION
15	V640325018	1	PLUG
16	V615881822	1	SEALING WASHER S1
17	V836859109	1	STUD BOLT
18	V836859110	1	NUT
19	V528801800	6	HEX CAP SCREW M10 X 25
20	V836667397	1	BRACKET
21	V546801900	2	STUD BOLT M10 X 75
22	V836855350	2	BLOCK OFF PLATE
23	V836647814	1	RUBBER HOSE
24	V602088532	1	HOSE CLIP
25	V836659103	1	SPRING
26	V836640252	1	LIFT EYE
27	V836659278	1	BRACKET
28	V836873284	1	CYLINDER HEAD

A95L TRACTOR (AN SERIES)
SPIMG-014-21-12A



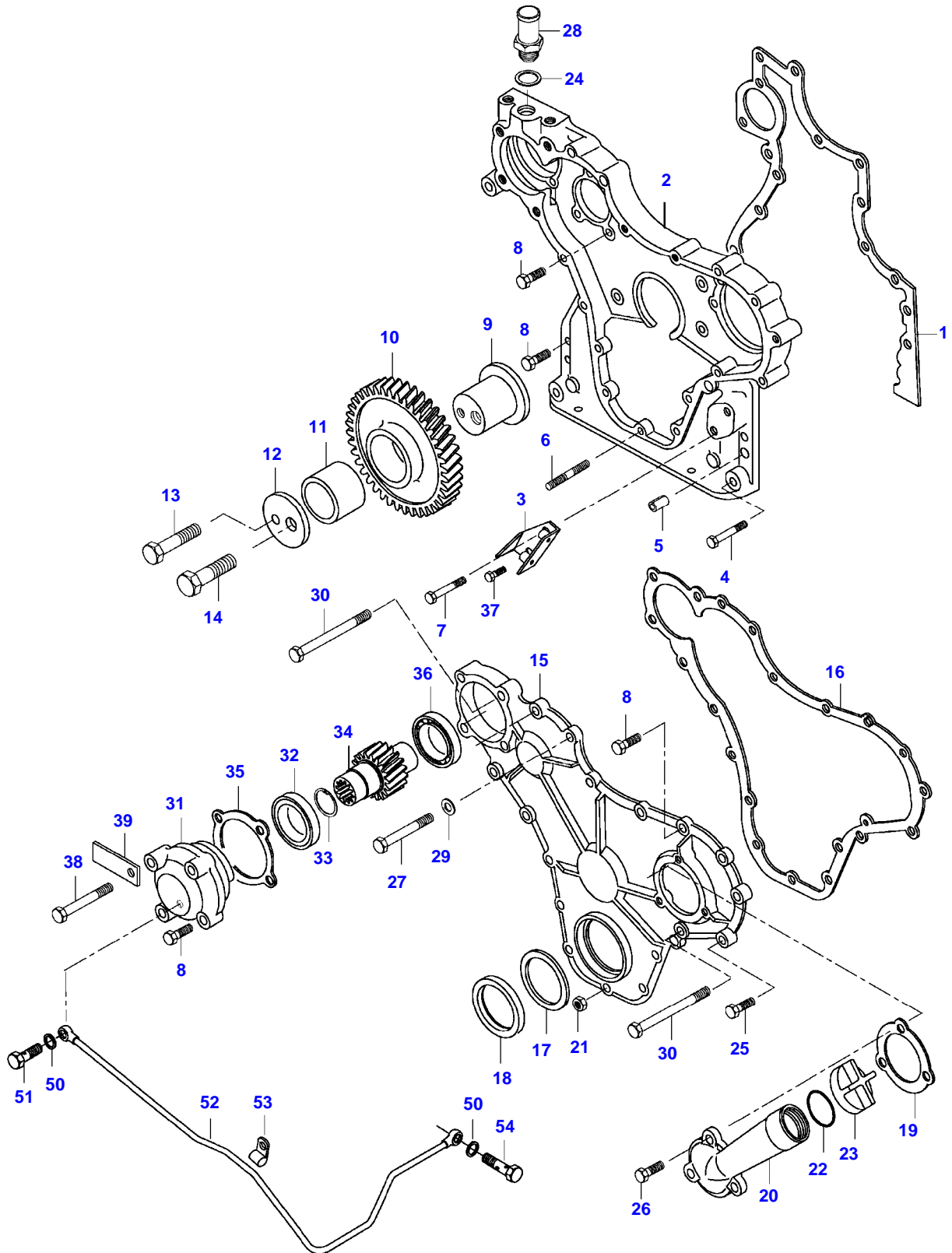
Item	Part Number	Qty	Description Comments
1	V836667043	1	ROCKER SHAFT ASM
1	V836666608	6	ROCKER ARM
			. -S12222 (M)
	V836667042	6	ROCKER ARM
			. S12223- (M)
2	V512861000	6	NUT
			..
3	V836655866	6	ADJUSTING SCREW
			..
			-S12222 (M)
	V837069023	6	VALVE ROCKER ADJUSTMENT SCREW
			..
			S12223- (M)
4	V836655899	2	PLUG
			. -S12222 (M)
	V837069020	2	PLUG
			. S12223- (M)
5	V836666609	3	BRACKET
			. -S12222 (M)
6	V836655884	2	SPRING
			. -S12222 (M)
7	V836655870	1	SHAFT
			. -S12222 (M)
8	V836655406	2	SLEEVE NUT
9	V836655867	6	PUSHROD
10	V836014264	6	TAPPET
11	V836646374	1	CAMSHAFT
12	V603305760	1	WOODRUFF KEY
13	V836646389	1	GEAR,CAMSHAFT
14	V836646382	12	COTTER
15	V836646381	6	WASHER
16	V836646380	6	SPRING
17	V836646357	3	EXHAUST VALVE
18	V836646356	3	INTAKE VALVE
19	V529801910	1	HEX CAP SCREW

A95L TRACTOR (AN SERIES)
SPIMG-014-21-16A



Item	Part Number	Qty	Description Comments	Technical Specification
1	V836647314	1	CRANKSHAFT	
2	V603345110	1	KEY	
3	V836666103	3	PISTON 33 DTA	
4	NS	3	NON-SERVICEABLE PART . PISTON PIN	
5	NS	6	NON-SERVICEABLE PART . CIRCLIP	
6	V836640078	3	PISTON RING KIT . 33 DTA	
7	V836640968 NS	1	CONNECTING ROD KIT NON-SERVICEABLE PART . CONNECTING ROD 1935-1954 G F NON-SERVICEABLE PART . CONNECTING ROD 1955-1974 G V NON-SERVICEABLE PART . CONNECTING ROD 1975-1994 G X NON-SERVICEABLE PART . CONNECTING ROD 1995-2014 G Y NON-SERVICEABLE PART . CONNECTING ROD 2015-2034 G W NON-SERVICEABLE PART . CONNECTING ROD 2035-2054 G Z NON-SERVICEABLE PART . CONNECTING ROD 2055-2074 G G	
8	V836864141	6	CONNECTING ROD BOLT	
9	V836110646	3	BEARING BUSH	STD
10	V836110552	3	BEARING SHELL SEE PAGE 01-0023	
11	V836655514	4	MAIN BEARING SEE PAGE 01-0023	
12	V836119459	2	THRUST WASHER SEE PAGE 01-0023	
13	V836120019	1	GEAR,CRANKSHAFT Z=55	
14	V836122840	1	GEAR,CRANKSHAFT	
15	V836129781	1	RING	
16	V836846463	1	CRANKSHAFT HUB	
17	V595953360	1	PIN	
18	V836667450	1	CRANKSHAFT V-BELT PULLEY	
19	V836647310	1	CRANKSHAFT NUT	
20	V581804600	6	HEX SOCKET SCREW	

A95L TRACTOR (AN SERIES)
SPIMG-014-21-20



Item	Part Number	Qty	Description Comments	Technical Specification
1	V836647419	1	GASKET S2 -S9538 (M)	
	VUK0182	1	GASKET SEALPASTE S9539- (M)	250ML
2	V836666401	1	TIMING GEAR CASE -S9538 (M)	
	V836667948	1	TIMING GEAR CASE S9539- (M)	
3	V836655720	1	TIMING MARK INDICATOR	
4	V529801440	2	HEX CAP SCREW	
5	V598359850	4	PIN	
6	V546801380	5	STUD BOLT	
7	V529801450	1	HEX CAP SCREW	
8	V528801400	12	HEX CAP SCREW	
9	V836766127	1	SHAFT	
	V836138354	1	IDLER GEAR ASSEMBLY	
10	NS	1	NON-SERVICEABLE PART	
			GEAR	
11	V836139039	1	BUSHING	
			FLANGE	
12	V836129845	1	FLANGE	
13	V529801910	1	HEX CAP SCREW	
14	V529902720	1	HEX CAP SCREW	
15	V836647575	1	GEAR HOUSING FRONT COVER	
16	V835336796	1	GASKET S2	
17	V836129782	1	COVER	
18	V614105880	1	OIL SEAL S2	
19	V836129946	1	GASKET S2	
20	V835338325	1	ENGINE OIL FILL PIPE	
21	V504800800	5	NUT	
22	V614603540	1	O-RING S2	
23	V836017927	1	CAP	
24	V615881822	1	SEALING WASHER S2	
25	V528801420	3	HEX CAP SCREW	
26	V528801380	3	HEX CAP SCREW	
27	V529801470	3	HEX CAP SCREW	
28	V836119851	1	FITTING	
29	V836120989	1	WASHER	
30	V529801500	2	HEX CAP SCREW	
	V836666028	1	DRIVE ASSEMBLY	
31	V836664542	1	BEARING HOUSING	
			BALL BEARING	
32	V610060096	1	BALL BEARING	
			LOCK RING	
33	V617330031	1	LOCK RING	
			SHAFT	
34	V836120880	1	SHAFT	
			GASKET S2	
35	V835336793	1	GASKET S2	
36	V610060096	1	BALL BEARING	
37	V528801362	1	HEX CAP SCREW	
38	V529801460	3	HEX CAP SCREW	
39	V836083428	1	CABLE TIE	
50	V615571014	4	SEALING WASHER	
51	V836664212	1	BANJO BOLT	
52	V836664543	1	OIL PIPE	

Valtra

A95L TRACTOR (AN SERIES)

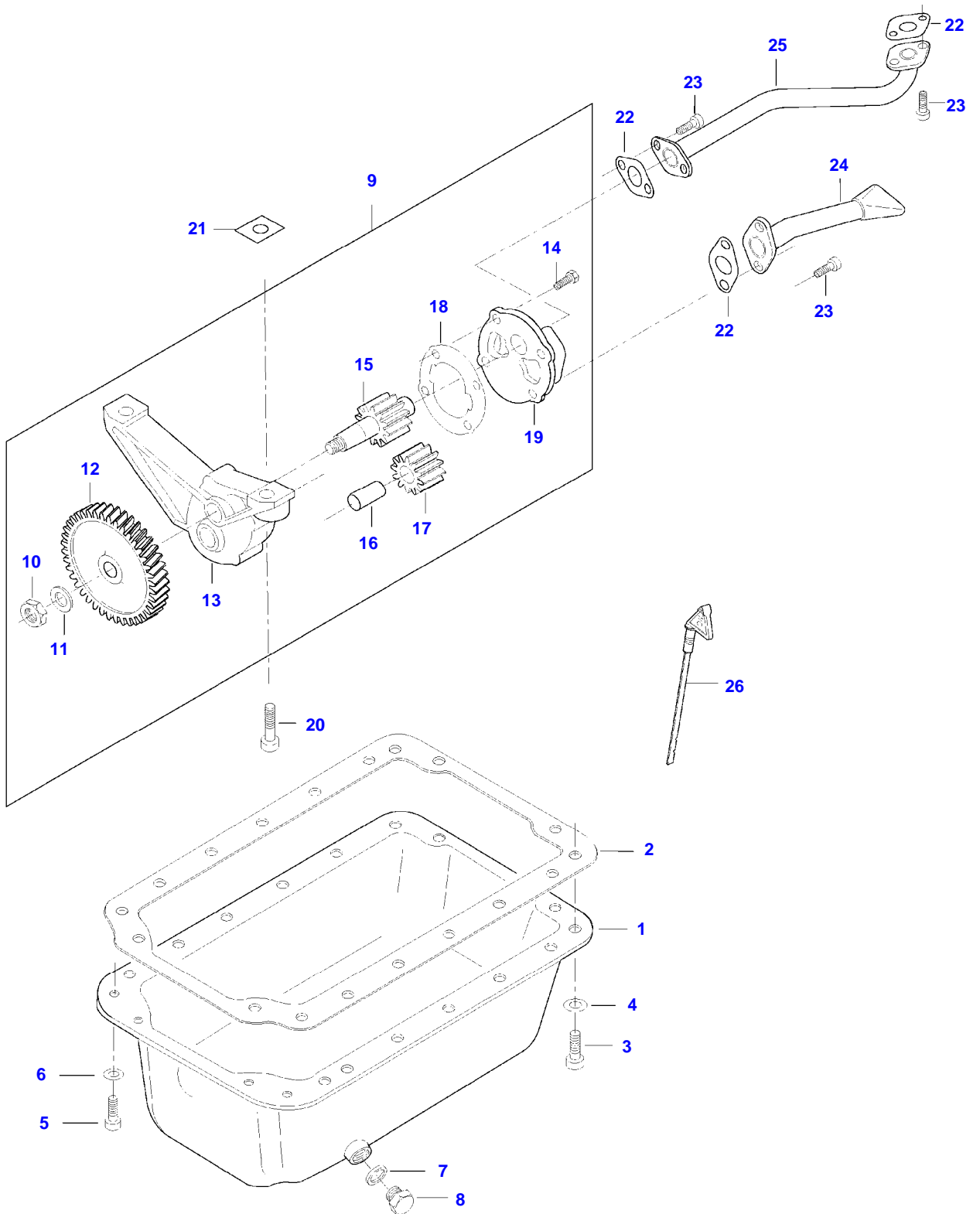
VFANA95L

GEAR HOUSING

Page01-0006

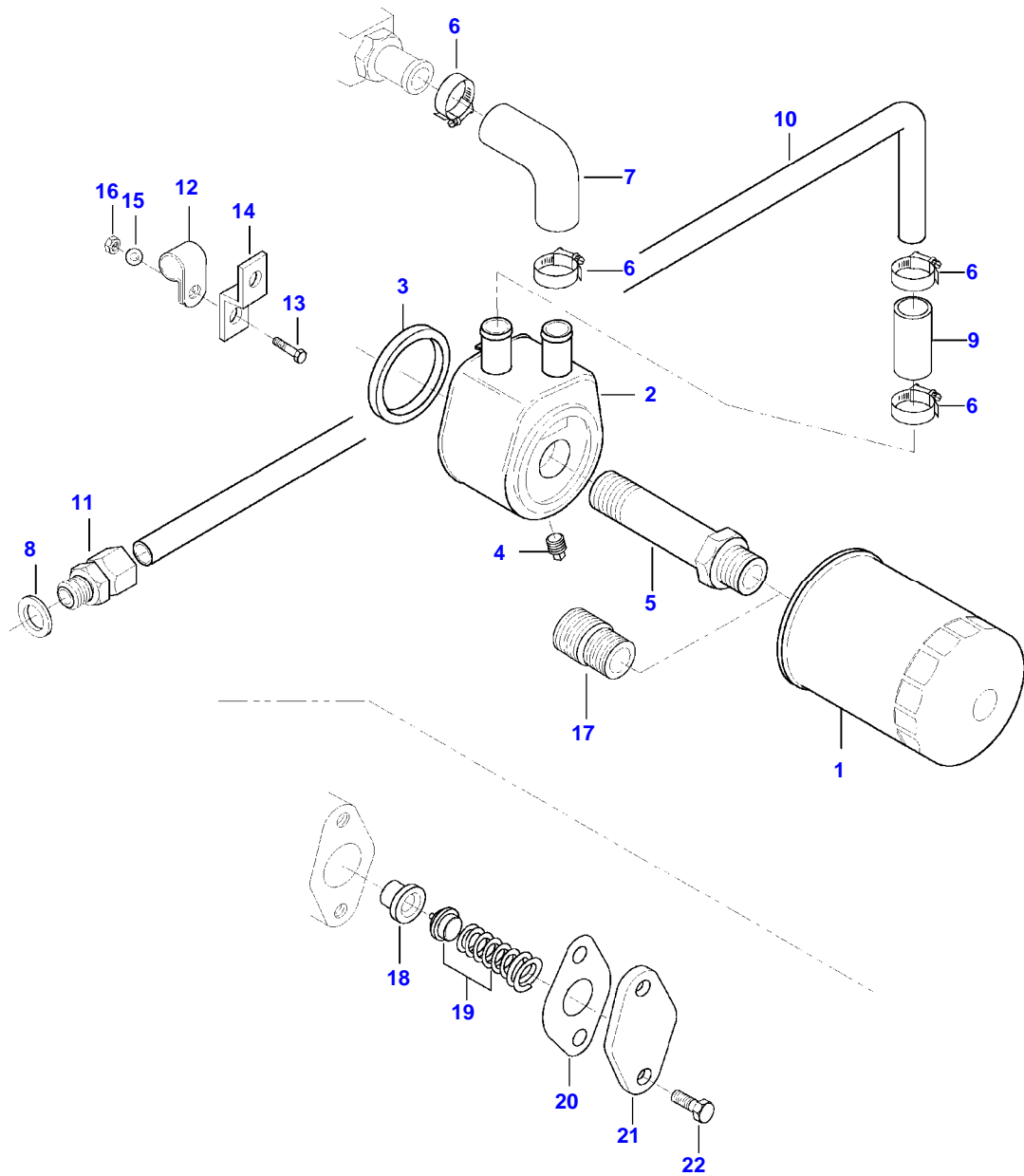
Item	Part Number	Qty	Description Comments	Technical Specification
53	V836009683	1	RETAINER CLAMP	
54	V640435006	1	BANJO BOLT	

A95L TRACTOR (AN SERIES)
SPIMG-014-21-22



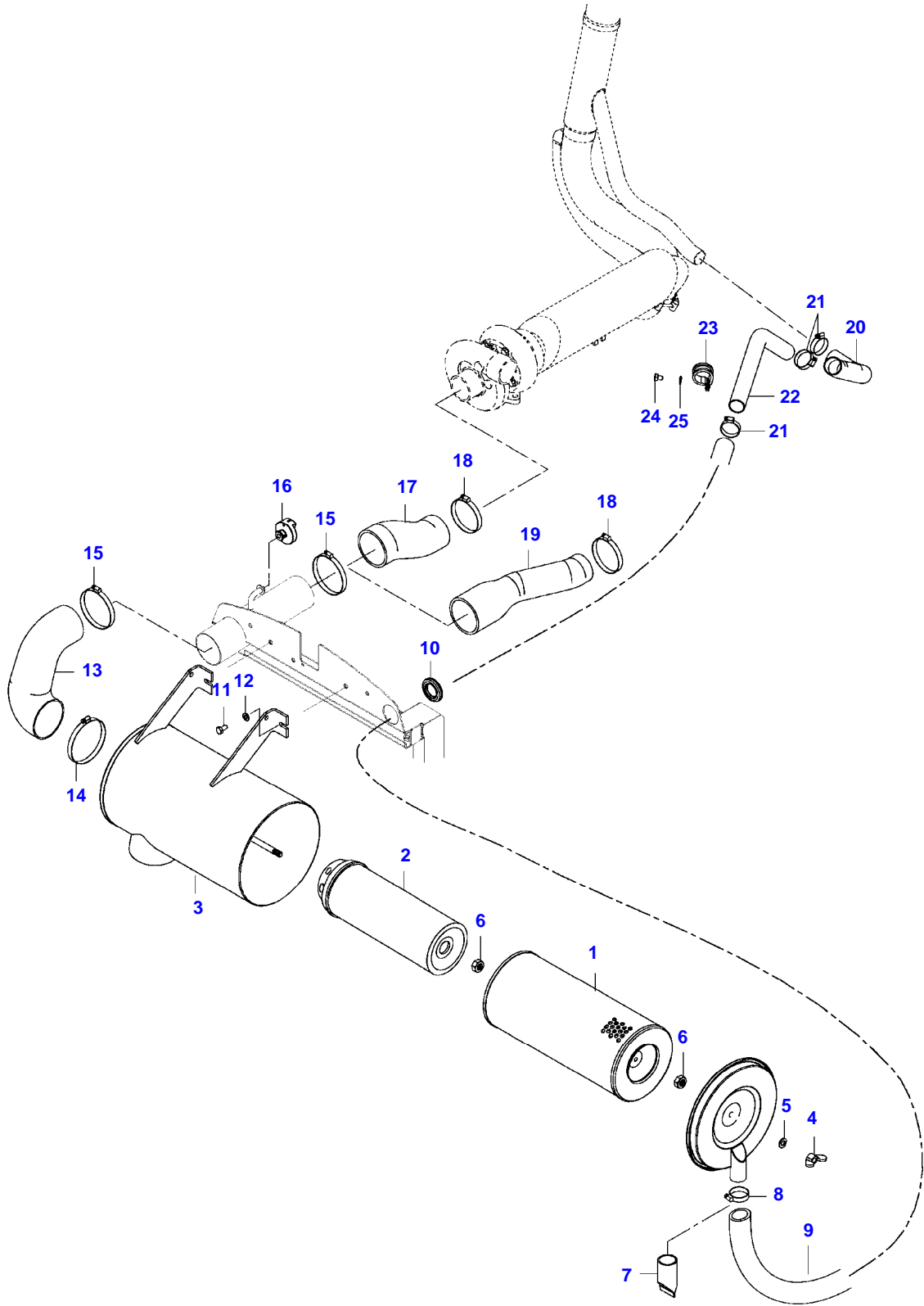
Item	Part Number	Qty	Description Comments
1	V836664336	1	OIL SUMP
2	V836664515	1	GASKET S2
3	V581804980	14	HEX SOCKET SCREW M10X16
4	V500951032	14	SPRING WASHER
5	V581804580	4	HEX SOCKET SCREW M8X16
6	V500950800	4	SPRING WASHER
7	V615881827	1	SEALING WASHER S2
8	V836655493	1	PLUG
9	V836652604	1	LUBRICATING OIL PUMP ASSEMBLY
10	V504861000	1	NUT . M10
11	V836122910	1	WASHER . .
12	V836652596	1	GEAR . .
13	V836120195	1	HOUSING . .
14	V528801380	4	HEX CAP SCREW . .
15	V836652600	1	M8 X 20 OIL PUMP SHAFT . .
16	V836120191	1	OIL PUMP SHAFT . .
17	V836120193	1	GEAR . .
18	V836119796	1	GASKET . .
19	V836119794	1	S2 COVER . .
20	V581805050	2	HEX SOCKET SCREW M10 X 40
21	V836007871	X	SHIM
22	V836008449	3	GASKET S2
23	V581804600	6	HEX SOCKET SCREW M8 X 20
24	V836664495	1	OIL PUMP SUCTION PIPE
25	V836659624	1	OIL PIPE
26	V836666908	1	DIPSTICK

A95L TRACTOR (AN SERIES)
SPIMG-014-21-26A



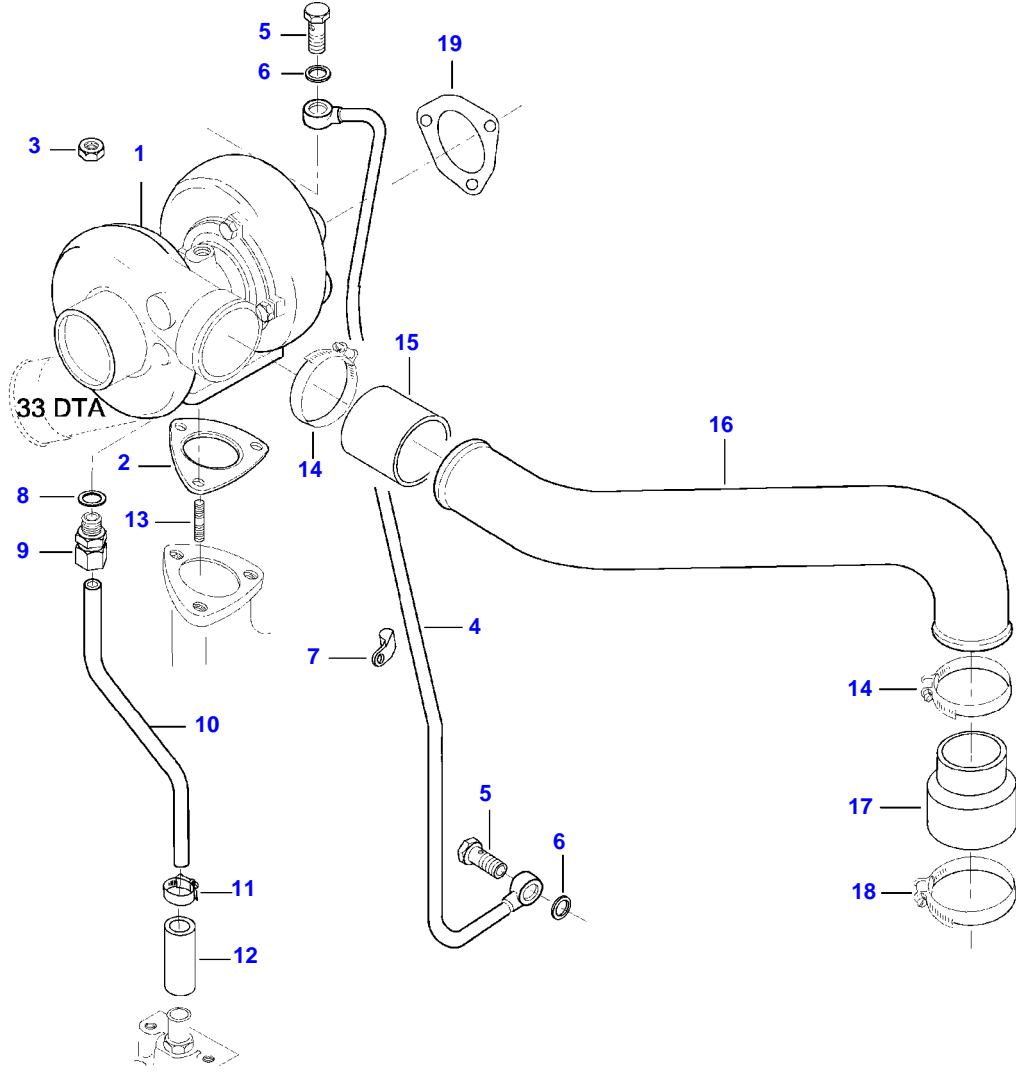
Item	Part Number	Qty	Description Comments
1	V836462576	1	ENGINE OIL FILTER
2	V836859699	1	OIL COOLER 33 DTA
3	V836862235	1	SEAL .
4	V836131366	1	PLUG .
5	V836859700	1	UNION 33 DTA
6	V602079516	4	HOSE CLIP
7	V836859899	1	RUBBER ELBOW
8	V615881822	1	SEALING WASHER S2
9	V836129978	1	RUBBER HOSE
10	V836652273	1	PIPE
11	V641086015	1	STRAIGHT FITTING
12	V602074615	1	RETAINER CLAMP
13	V528801102	1	HEX CAP SCREW M6 X 25
14	V836747849	1	SUPPORT
15	V500050642	2	WASHER
16	V504600602	1	NUT M6
	V836662129	1	OIL PRESSURE CONTROL VALVE
18	V836659521	1	VALVE SEAT .
19	V836667649	1	SPRING ASSEMBLY .
20	V836322190	1	GASKET .
			S2
21	V836659524	1	COVER .
22	V528801380	2	HEX CAP SCREW .
			M8 X 20

A95L TRACTOR (AN SERIES)
SPIMG-014-21-28



Item	Part Number	Qty	Description Comments	Technical Specification
	V35871100	1	AIR FILTER ASSEMBLY	
1	V836462568	1	PRIMARY AIR FILTER ELEMENT . D=165 L=380	
2	V836462569	1	SECONDARY AIR FILTER ELEMENT . D=85 L=370	
3	NS	1	NON-SERVICEABLE PART . HOUSING	
4	VJC1610	1	BLADE NUT	M10 DIN315 G5 ZNE
5	VJD0410	1	WASHER .	10.5 X 2 SFS-EN_ISO_7089
6	VJB8905	2	LOCKNUT .	M10 SFS_EN_ISO_10511
7	V36002600	1	VALVE	
8	VGP3919	1	HOSE CLIP	D=26-38 SMS2298
10	V75011500	1	RUBBER INLET	D=40/3
11	VHA6322	2	SCREW	M8 X 16 SFS_EN_ISO_4017 8.8
12	VJD0408	2	WASHER	M8
13	V33431500	1	TUBE	
14	VGP3933	1	HOSE CLIP	D=95 SMS2298
15	VGP3934	2	HOSE CLIP	D=85 SMS2298
16	V34654000	1	SENSOR AIR FILTER	65 BAR
17	V36279700	1	TUBE	
18	VGP3942	1	HOSE CLIP	D=75 SMS2298

A95L TRACTOR (AN SERIES)
SPIMG-014-21-30A



Thank you so much for reading.
Please click the “Buy Now!”
button below to download the
complete manual.



After you pay.

You can download the most
perfect and complete manual in
the world immediately.

Our support email:

ebooklibonline@outlook.com