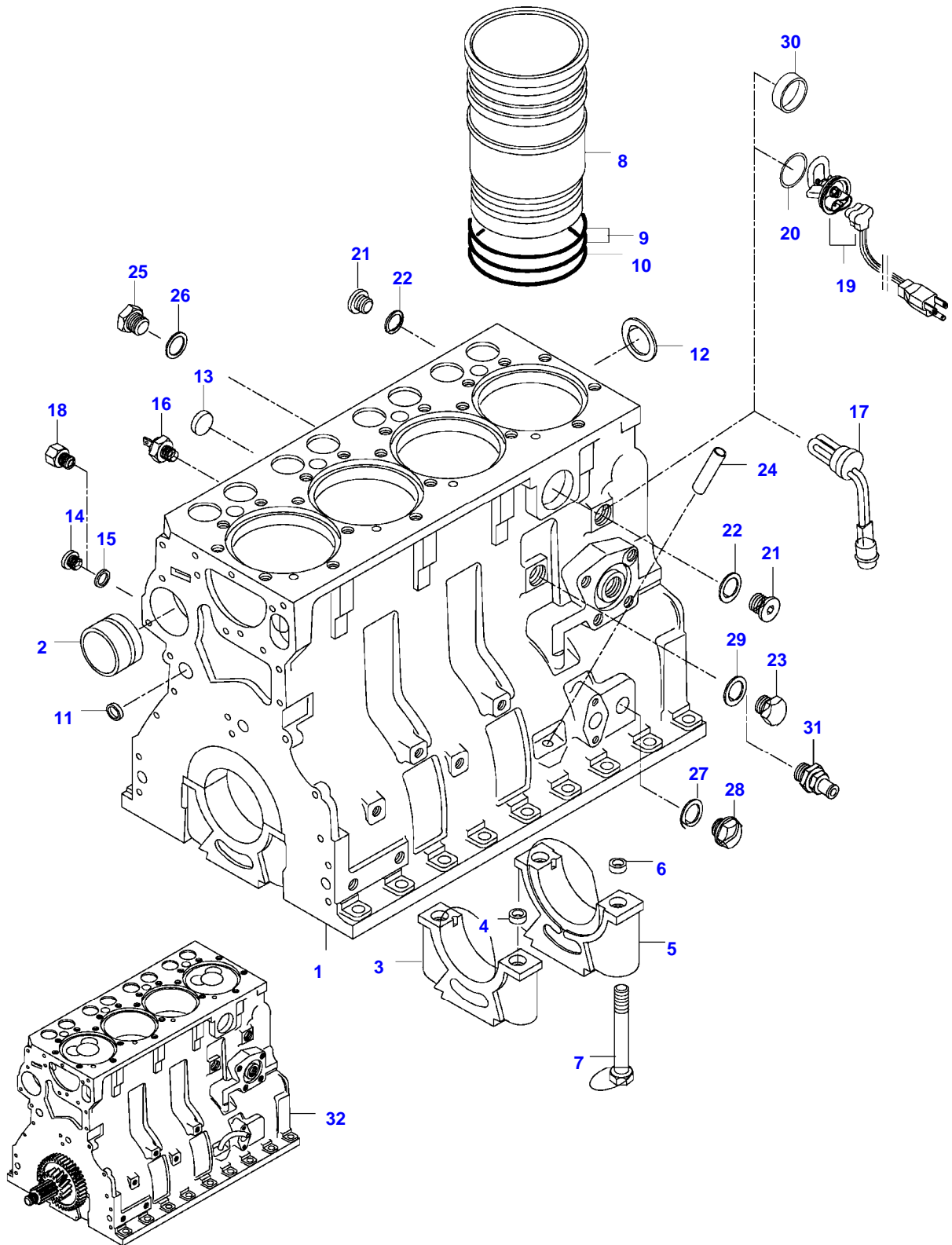


Page Number	Page Title	Page Reference
01-000-TOC	ENGINE, FUEL AND EXHAUST SYSTEM	01-000-TOC
02-000-TOC	AXLES	02-000-TOC
03-000-TOC	STEERING SYSTEM	03-000-TOC
04-000-TOC	DRIVE TRAIN SYSTEM	04-000-TOC
05-000-TOC	BRAKE SYSTEM	05-000-TOC
06-000-TOC	COMPRESSED AIR SYSTEM	06-000-TOC
07-000-TOC	HYDRAULIC SYSTEM	07-000-TOC
08-000-TOC	ELECTRICAL SYSTEM	08-000-TOC
09-000-TOC	CAB	09-000-TOC
10-000-TOC	AIR CONDITIONING AND HEATING SYSTEM	10-000-TOC
11-000-TOC	CHASSIS	11-000-TOC
12-000-TOC	DECALS	12-000-TOC
13-000-TOC	WHEELS	13-000-TOC
14-000-TOC	IMPLEMENT DRIVE SYSTEM	14-000-TOC
15-000-TOC	IMPLEMENT LIFT SYSTEM FRONT	15-000-TOC
16-000-TOC	IMPLEMENT LIFT SYSTEM REAR	16-000-TOC
17-000-TOC	ATTACHMENTS	17-000-TOC
18-000-TOC	GENERAL INFORMATION	18-000-TOC

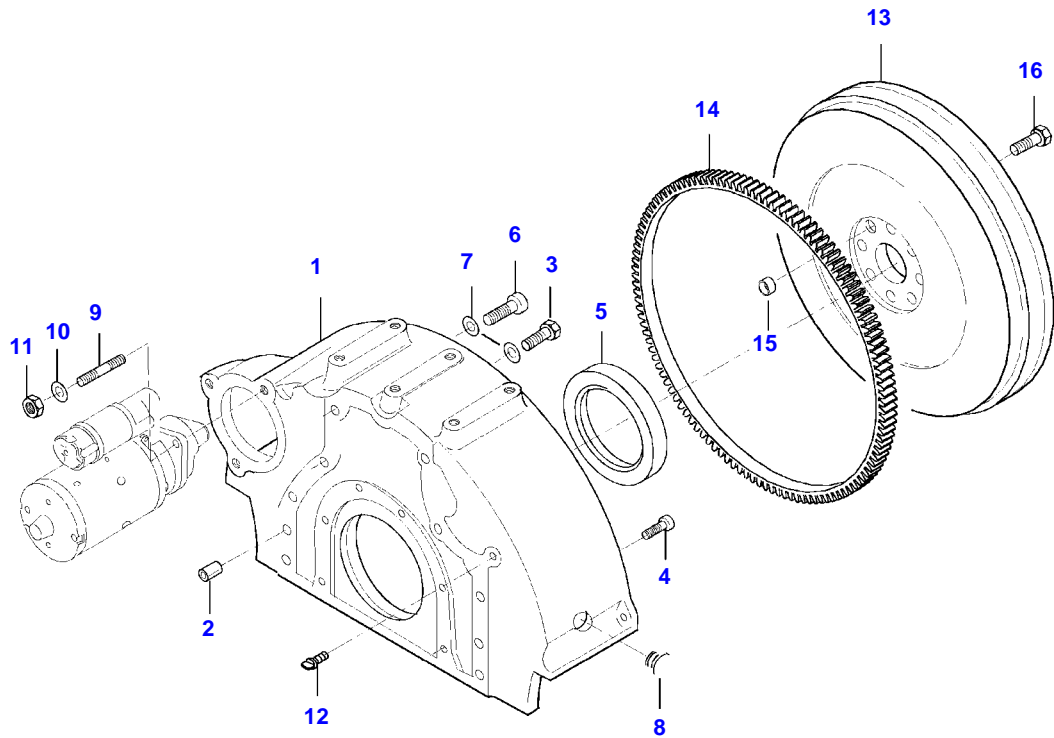
Page Number	Page Title	Page Reference
01-0001	CYLINDERBLOCK	21-04
01-0002	FLYWHEEL AND HOUSING	21-06
01-0003	CYLINDER HEAD	21-10
01-0004	VALVE MECHANISM	21-14
01-0005	CRANK MECHANISM	21-18
01-0006	GEAR HOUSING	21-20
01-0007	OIL SUMP	21-24
01-0008	OIL FILTER	21-26
01-0009	AIR CLEANER	21-28
01-0010	TURBO-CHARGER	21-32
01-0011	INTAKE- AND EXHAUS PIPE	21-36
01-0012	PILLAR EXHAUST PIPE	21-40
01-0013	FUEL FILTER	22-02
01-0014	FUEL PIPES	22-04
01-0015	INJECTION PUMP	22-08
01-0016	INJECTOR, DISTRIBUTOR PUMP	22-10
01-0017	SPEED LEVERS	22-12
01-0018	SPEED LEVERS, FOREST	22-14
01-0019	RADIATOR	23-02
01-0020	COOLANT PUMP	23-04
01-0021	STARTERMOTOR	24-02
01-0022	ALTERNATOR	24-04
01-0023	WIRING SET, ENGINE	24-06
01-0024	ENGINE REPAIR KIT AND BEARINGS	28-10
01-0025	ENGINE HEATER (OPTIONAL EQUIPMENT)	29-06

A95N TRACTOR (AN SERIES)
SPIMG-014-21-04



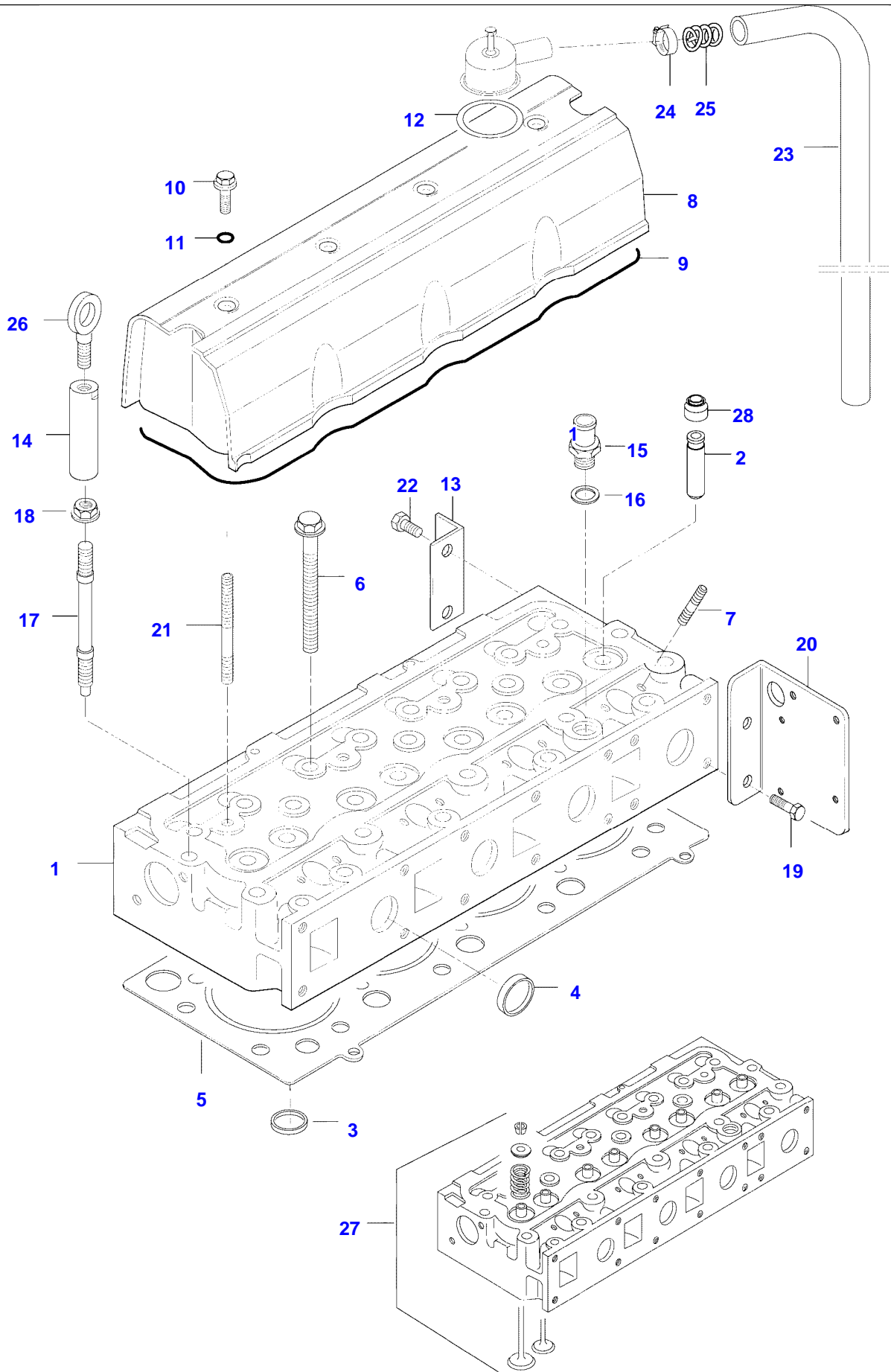
Item	Part Number	Qty	Description Comments	Technical Specification
1	V836766377	1	CYLINDER BLOCK	
2	V836866069	1	CAMSHAFT BEARING BUSHING	
3	NS	4	NON-SERVICEABLE PART	
4	V836214478	8	BEARING COVER GUIDE SLEEVE	
5	NS	1	NON-SERVICEABLE PART	
6	V836214478	2	BEARING COVER GUIDE SLEEVE	
7	V835329030	10	HEX CAP SCREW	
8	V836666990	4	LINER	
	V836647933		LINER FLANGE S=9.08	FLANGE HEIGHT + 0.05 MM
	V836647934		LINER FLANGE S=9.13	FLANGE HEIGHT + 0.10 MM
	V836647935		LINER FLANGE S=9.23	FLANGE HEIGHT + 0.15 MM
9	V836647502	8	CYLINDER LINER O-RING S2	
10	V836647503	4	CYLINDER LINER O-RING S2	
11	V640016016	4	CUP PLUG	
12	V836529872	1	PLUG	
13	V640016018	1	CUP PLUG	
14	V640325110	2	SCREW PLUG	
15	V615571014	2	SEALING WASHER S2	
16	V887283760	1	PRESSURE SWITCH	
17	V836647622	1	ENGINE BLOCK HEATER	
18	V836655736	1	UNION	
19	V836640935	1	ENGINE BLOCK HEATER CANADA	
20	V836640999	1	O-RING CANADA	
21	V640325018	2	PLUG	
22	V615881822	2	SEALING WASHER	
23	V836019756	1	PLUG	
24	V836666910	1	OIL DIPSTICK GUIDE PIPE	
25	V836119079	1	PLUG	
26	V615881620	1	SEALING WASHER S2	
27	V615881216	1	SEALING WASHER S2	
28	V640305012	1	PLUG	
29	V615881824	1	SEALING WASHER S2	
30	V640016040	1	CUP PLUG	
31	V836664377	1	DRAIN VALVE	
32	V862640001	1	REMANUFACTURED SHORT BLOCK ENGINE	
	V836740280	1	ENGINE GASKET KIT S1	
	V836740333	1	ENGINE GASKET KIT S1+S2	

A95N TRACTOR (AN SERIES)
SPIMG-014-21-06



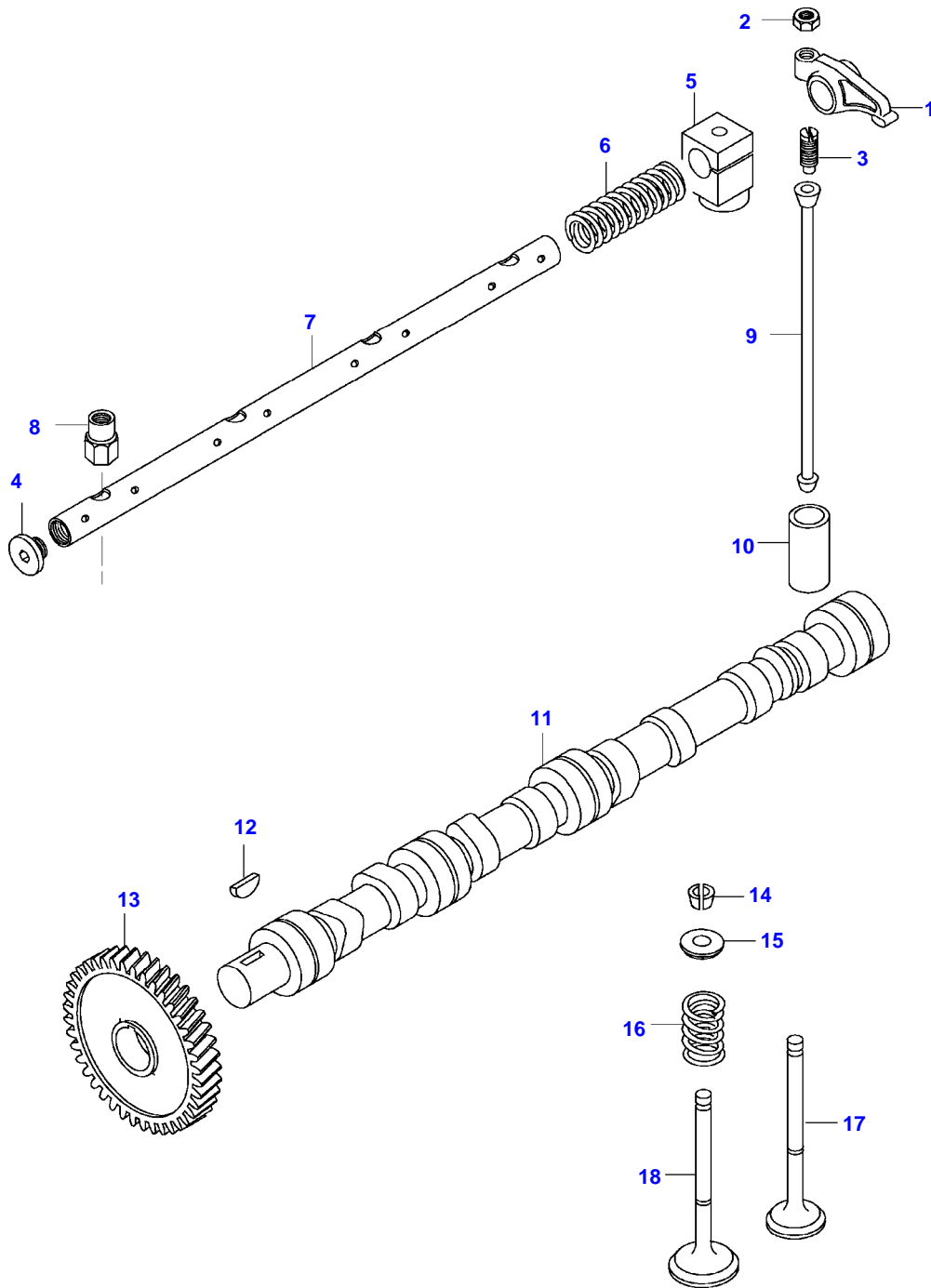
Item	Part Number	Qty	Description Comments
1	V836752443	1	FLYWHEEL HOUSING
2	V598359850	2	PIN
3	V529702220	6	HEX CAP SCREW M12 X 35
4	V581705030	6	HEX SOCKET SCREW M10 X 30
5	V614500002	1	CRANKSHAFT SEAL S2
6	V581705440	2	HEX SOCKET SCREW M12 X 35
7	V500951200	8	SPRING WASHER
8	V836007572	1	RUBBER PLUG
9	V546801800	3	STUD BOLT M10 X 25
10	V500951000	3	SPRING WASHER
11	V504601000	3	NUT M10
12	V836859311	1	PLUG
13	V836538043	1	FLYWHEEL
14	V836117970	1	STARTER RING
15	V836659527	1	GUIDE SLEEVE
16	V528702220	8	HEX CAP SCREW 150 NM

A95N TRACTOR (AN SERIES)
SPIMG-014-21-10



Item	Part Number	Qty	Description Comments
1	NS	1	NON-SERVICEABLE PART CYLINDER HEAD
2	V836647601	8	GUIDE
	V836673175	8	-WEEK 23/2007 VALVE GUIDE
28	V837073166	6	WEEK 24/2007- VALVE STEM GASKET
3	V836647600	4	D=9 WEEK 24/2007- VALVE SEAT
4	V836647942	7	EXHAUST CUP PLUG
5	V837070291	1	CYLINDER HEAD GASKET S1
6	V836859104	21	HEXAGON FLANGE BOLT
7	V546901435	8	STUD BOLT M8 X 40
8	V836767207	1	VALVE COVER
9	V614738740	1	COVER GASKET S1
10	V540801780	4	HEXAGON FLANGE BOLT M10 X 20
11	V614901030	4	O-RING
12	V836667459	1	GASKET
13	V836659278	1	BRACKET
14	V836667062	1	LIFTING EYE EXTENSION
15	V836119837	1	HOSE COUPLER
16	V615881822	1	SEALING WASHER S1
17	V836859109	1	STUD BOLT
18	V836859110	1	NUT
19	V528801800	2	HEX CAP SCREW M10 X 25
20	V836667397	1	BRACKET
21	V546801900	2	STUD BOLT M10 X 75
22	V528801780	2	HEX CAP SCREW M10 X 20
23	V836647814	1	RUBBER HOSE
24	V602088532	1	HOSE CLIP
25	V836659103	1	SPRING
26	V836640252	1	LIFT EYE
27	V836773288	1	CYLINDER HEAD

A95N TRACTOR (AN SERIES)
SPIMG-014-21-14

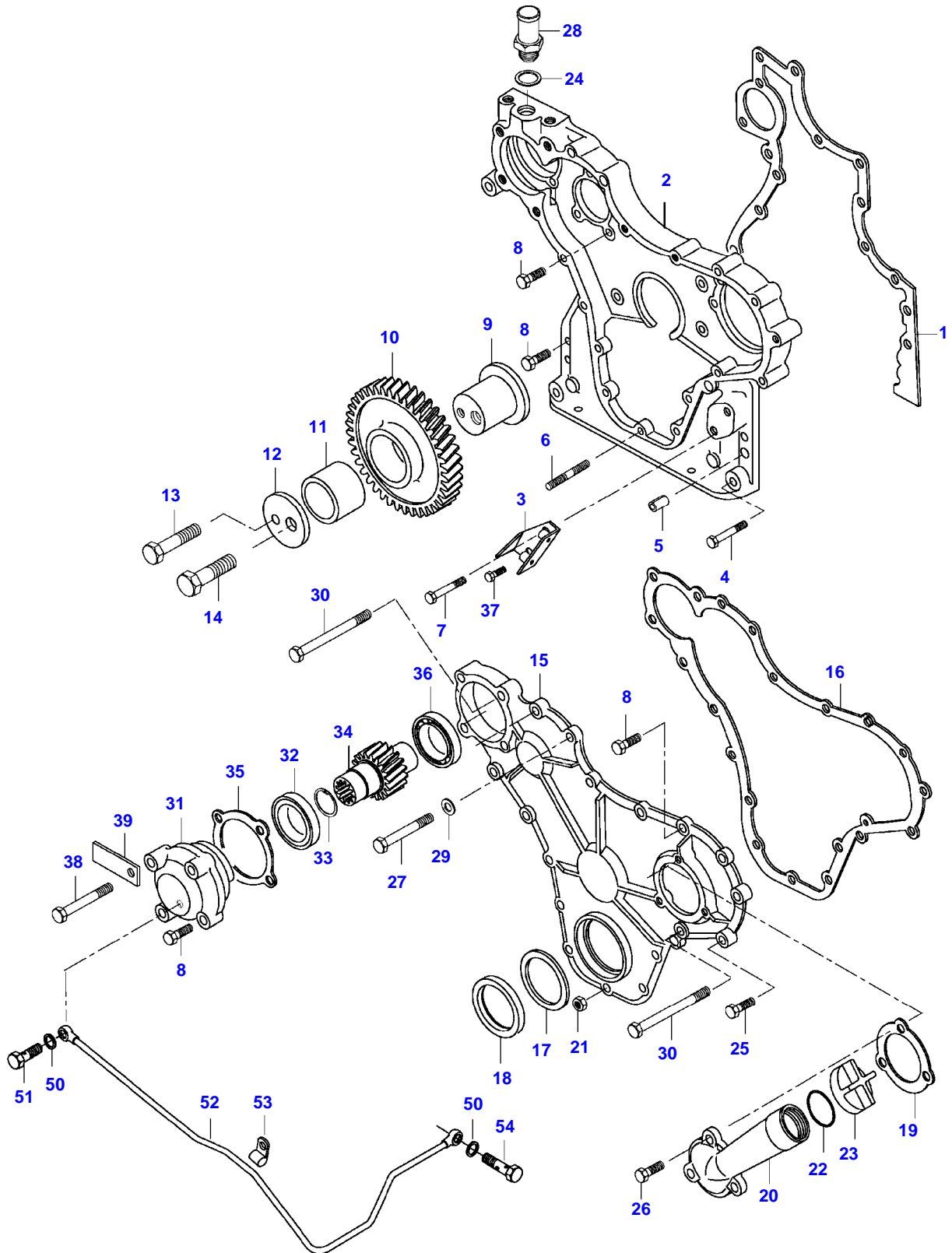


Item	Part Number	Qty	Description Comments
1	V836767044	1	ROCKER SHAFT ASM
	V836666608	8	ROCKER ARM
			. -S12222 (M)
	V836667042	8	ROCKER ARM
2			. S12223- (M)
	V512861000	8	NUT
3			..
	V836655866	8	ADJUSTING SCREW
			.. -S12222 (M)
	V837069023	8	VALVE ROCKER ADJUSTMENT SCREW
4			.. S12223- (M)
	V836655899	2	PLUG
			. -S12222 (M)
	V837069020	2	PLUG
5			. S12223- (M)
	V836666609	4	BRACKET
6	V836655884	3	SPRING
7	V836755871	1	SHAFT
8	V836655406	4	SLEEVE NUT
9	V836655867	8	PUSHROD
10	V836014264	8	TAPPET
11	V836746375	1	CAMSHAFT
12	V603305760	1	WOODRUFF KEY
13	V836646389	1	GEAR,CAMSHAFT
14	V836646382	16	COTTER
15	V836646381	15	WASHER
16	V836646380	8	SPRING
17	V836646357	4	EXHAUST VALVE
18	V836646356	4	INTAKE VALVE

Item	Part Number	Qty	Description Comments	Technical Specification
1	V836752303	1	CRANKSHAFT	
2	V836124524	1	GEAR	
3	V603345110	1	KEY	
4	V836659702	4	PISTON	
5	NS	4	NON-SERVICEABLE PART	
6	NS	8	PISTON PIN NON-SERVICEABLE PART	
7	V836640126	4	CIRCLIP PISTON RING KIT	
8	V836740859 NS	1	CONNECTING ROD KIT NON-SERVICEABLE PART	
	NS		CONNECTING ROD 1935-1954 G F NON-SERVICEABLE PART	
	NS		CONNECTING ROD 1955-1974 G V NON-SERVICEABLE PART	
	NS		CONNECTING ROD 1975-1994 G X NON-SERVICEABLE PART	
	NS		CONNECTING ROD 1995-2014 G Y NON-SERVICEABLE PART	
	NS		CONNECTING ROD 2015-2034 G W NON-SERVICEABLE PART	
	NS		CONNECTING ROD 2035-2054 G Z NON-SERVICEABLE PART	
9	V836864141	8	CONNECTING ROD 2055-2074 G G CONNECTING ROD BOLT	
11	V836110646	4	BEARING BUSH	STD
12	V836110552	4	BEARING SHELL	
13	V836655514	5	MAIN BEARING	
14	V836119459	2	THRUST WASHER	
15	V836119550	1	GEAR,CRANKSHAFT	
16	V836122840	1	GEAR,CRANKSHAFT	
17	V836129781	1	RING	
18	V836136271	1	SHIELD	
19	V836846463	1	CRANKSHAFT HUB	
20	V836667450	1	CRANKSHAFT V-BELT PULLEY	
21	V836647310	1	CRANKSHAFT NUT	
22	V581804600	6	HEX SOCKET SCREW	
23	V836766123	1	COUNTERWEIGHT	
24	V616810103	2	BALL	
25	V836146879	2	SHAFT	
26	V581804200	2	HEX SOCKET SCREW	
27	V836146880	4	THRUST WASHER	

Item	Part Number	Qty	Description Comments	Technical Specification
28	V836766121	1	COUNTERWEIGHT	
29	V836146876	2	BEARING BUSH	
30	V836766122	1	COUNTERWEIGHT	
31	V836146876	2	BEARING BUSH	
32	V836119920		SHIM	
33	V598359850	2	PIN	
34	V836747478	1	OIL PIPE	
35	V641016008	1	STRAIGHT FITTING	
36	V640435008	2	BANJO BOLT	
37	V581805170	4	HEX SOCKET SCREW	
38	V602071608	1	RETAINER CLAMP	
39	V528801062	1	HEX CAP SCREW	
40	V595953360	1	PIN	

A95N TRACTOR (AN SERIES)
SPIMG-014-21-20



Item	Part Number	Qty	Description Comments	Technical Specification
1	V836647419	1	GASKET S2 -S9538 (M)	
	VUK0182	1	GASKET SEALPASTE S9539- (M)	250ML
2	V836666401	1	TIMING GEAR CASE -S9538 (M)	
	V836667948	1	TIMING GEAR CASE S9539- (M)	
3	V836655720	1	TIMING MARK INDICATOR	
4	V529801440	2	HEX CAP SCREW	
5	V598359850	4	PIN	
6	V546801380	5	STUD BOLT	
7	V529801450	1	HEX CAP SCREW	
8	V528801400	12	HEX CAP SCREW	
9	V836766127	1	SHAFT	
	V836138354	1	IDLER GEAR ASSEMBLY	
10	NS	1	NON-SERVICEABLE PART	
			GEAR	
11	V836139039	1	BUSHING	
			FLANGE	
12	V836129845	1	FLANGE	
13	V529801910	1	HEX CAP SCREW	
14	V529902720	1	HEX CAP SCREW	
15	V836647575	1	GEAR HOUSING FRONT COVER	
16	V835336796	1	GASKET S2	
17	V836129782	1	COVER	
18	V614105880	1	OIL SEAL S2	
19	V836129946	1	GASKET S2	
20	V835338325	1	ENGINE OIL FILL PIPE	
21	V504800800	5	NUT	
22	V614603540	1	O-RING S2	
23	V836017927	1	CAP	
24	V615881822	1	SEALING WASHER S2	
25	V528801420	3	HEX CAP SCREW	
26	V528801380	3	HEX CAP SCREW	
27	V529801470	3	HEX CAP SCREW	
28	V836119851	1	FITTING	
29	V836120989	1	WASHER	
30	V529801500	2	HEX CAP SCREW	
	V836666028	1	DRIVE ASSEMBLY	
31	V836664542	1	BEARING HOUSING	
			BALL BEARING	
32	V610060096	1	BALL BEARING	
			LOCK RING	
33	V617330031	1	LOCK RING	
			SHAFT	
34	V836120880	1	SHAFT	
			GASKET S2	
35	V835336793	1	GASKET S2	
36	V610060096	1	BALL BEARING	
37	V528801362	1	HEX CAP SCREW	
38	V529801460	3	HEX CAP SCREW	
39	V836083428	1	CABLE TIE	
50	V615571014	4	SEALING WASHER	
51	V836664212	1	BANJO BOLT	
52	V836664543	1	OIL PIPE	

Valtra

A95N TRACTOR (AN SERIES)

VFANA95N

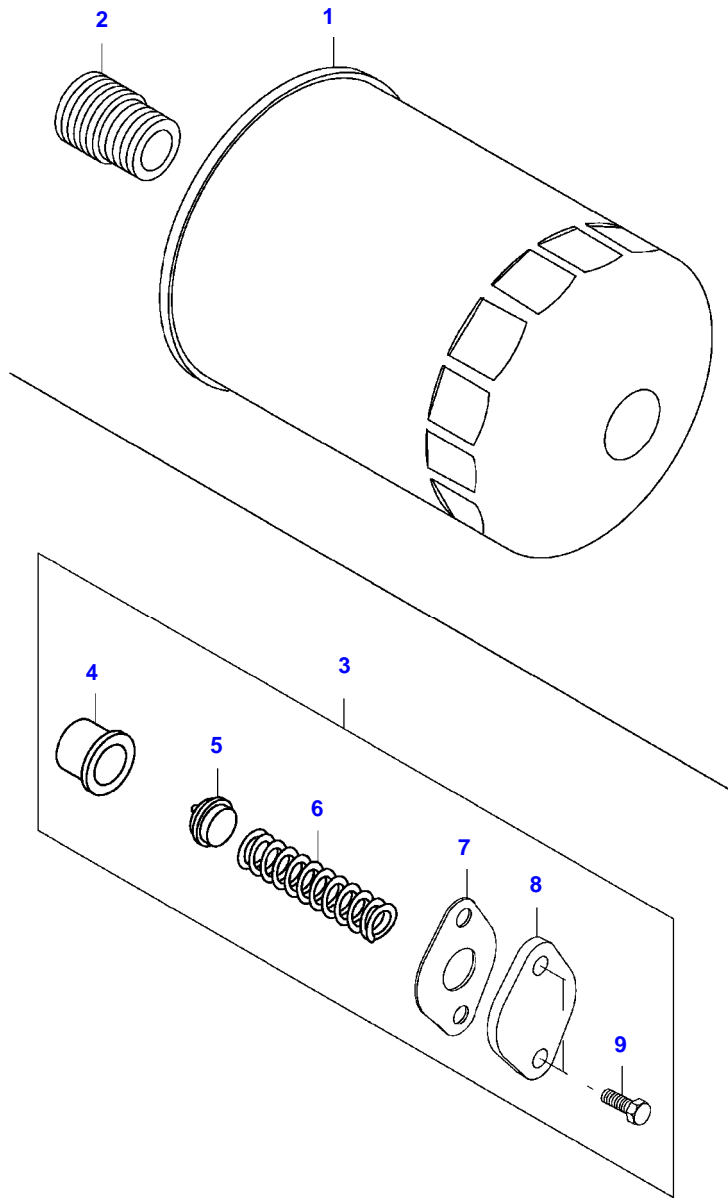
GEAR HOUSING

Page01-0006

Item	Part Number	Qty	Description Comments	Technical Specification
53	V836009683	1	RETAINER CLAMP	
54	V640435006	1	BANJO BOLT	

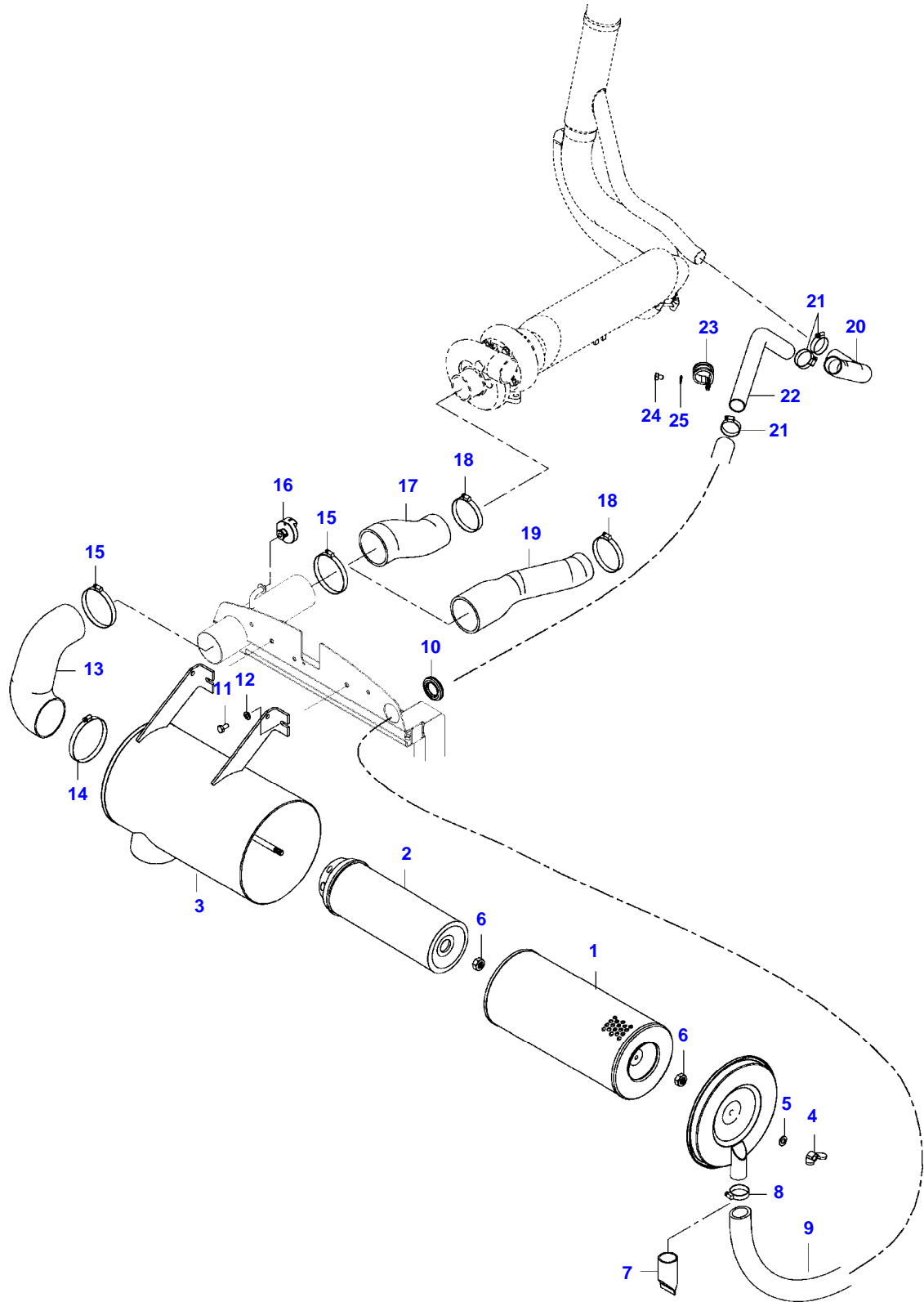
Item	Part Number	Qty	Description Comments
1	V836128794	1	OIL SUMP
2	V836107726	1	OIL SUMP GASKET S2
3	V500950800	22	SPRING WASHER
4	V581804580	22	HEX SOCKET SCREW
5	V615881827	1	SEALING WASHER S2
6	V836655493	1	PLUG
7	V836652603	1	LUBRICATING OIL PUMP ASSEMBLY
8	V504861000	1	NUT
9	V836122910	1	WASHER
10	V836338667	1	GEAR
11	V836120195	1	HOUSING
12	V528801380	4	HEX CAP SCREW
13	V836119794	1	COVER
14	V836652600	1	OIL PUMP SHAFT
15	V836120191	1	OIL PUMP SHAFT
16	V836120193	1	GEAR
17	V836119796	1	GASKET S2
18	V528801362	1	HEX CAP SCREW
19	V836008449	3	GASKET S2
20	V581804600	6	HEX SOCKET SCREW
21	V836759171	1	OIL PUMP SUCTION PIPE
22	V836746457	1	OIL PIPE
23	V836746572	1	SUPPORT
24	V602074618	1	RETAINER CLAMP
25	V836007871	1	SHIM
26	V581805050	2	HEX SOCKET SCREW
27	V504800800	1	NUT
28	V528801760	1	HEX CAP SCREW
29	V836666908	1	DIPSTICK

A95N TRACTOR (AN SERIES)
SPIMG-014-21-26



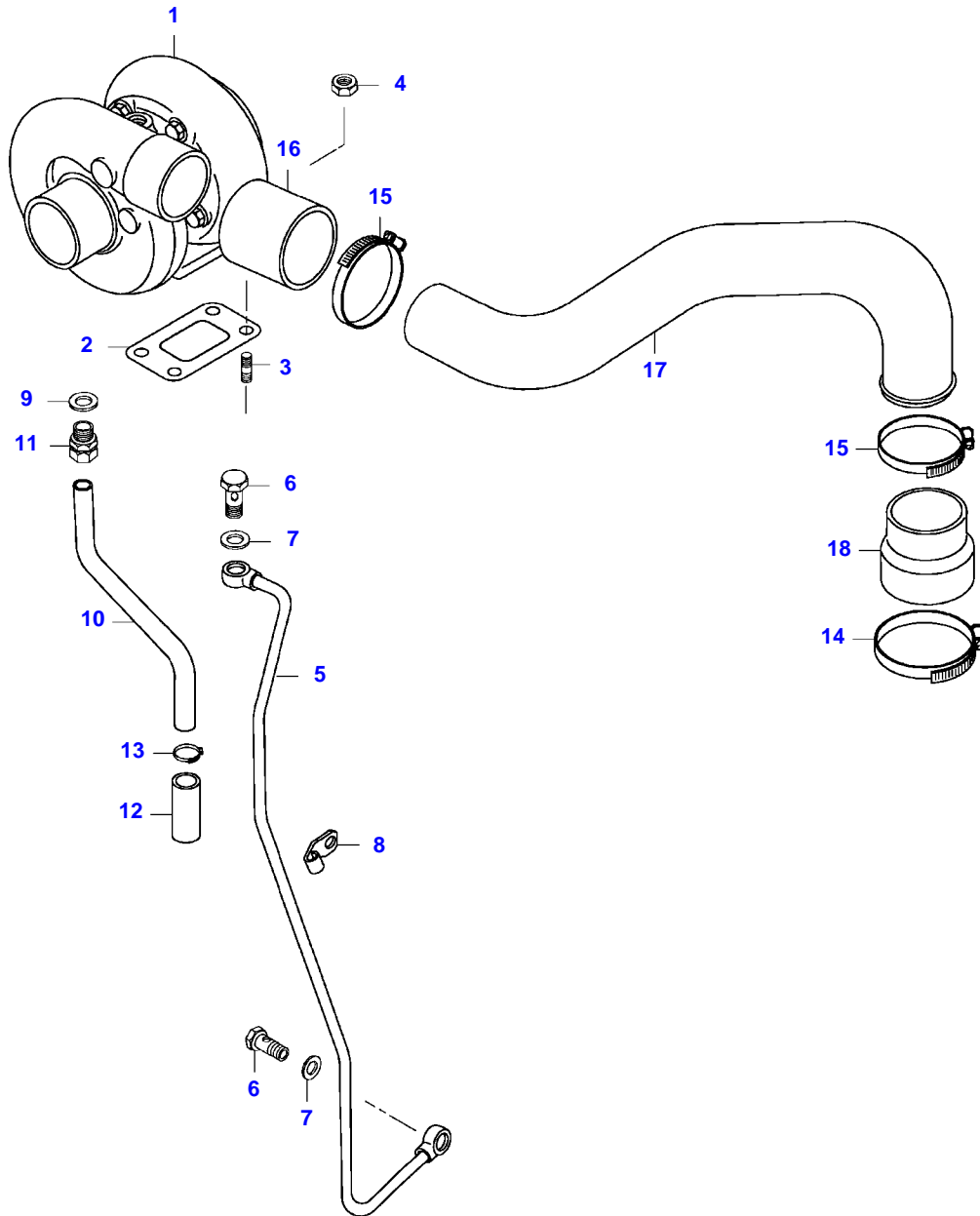
Item	Part Number	Qty	Description Comments
1	V836462576	1	ENGINE OIL FILTER
2	V836647404	1	UNION
3	V836662129	1	OIL PRESSURE CONTROL VALVE ASSEMBLY
4	V836659521	1	VALVE SEAT
5	V836659522	1	VALVE CONE
6	V836659523	1	SPRING
7	V836322190	1	GASKET
8	V836659524	1	COVER
9	V528801380	2	HEX CAP SCREW

A95N TRACTOR (AN SERIES)
SPIMG-014-21-28



Item	Part Number	Qty	Description Comments	Technical Specification
	V35871100	1	AIR FILTER ASSEMBLY	
1	V836462568	1	PRIMARY AIR FILTER ELEMENT . D=165 L=380	
2	V836462569	1	SECONDARY AIR FILTER ELEMENT . D=85 L=370	
3	NS	1	NON-SERVICEABLE PART . HOUSING	
4	VJC1610	1	BLADE NUT	M10 DIN315 G5 ZNE
5	VJD0410	1	WASHER .	10.5 X 2 SFS-EN_ISO_7089
6	VJB8905	2	LOCKNUT .	M10 SFS_EN_ISO_10511
8	VGP3919	1	HOSE CLIP	D=26-38 SMS2298
9	V35837900	1	HOSE	L=850
10	V33512500	1	GROMMET	
11	VHA6322	2	SCREW	M8 X 16 SFS_EN_ISO_4017 8.8
12	VJD0408	2	WASHER	M8
13	V33431500	1	TUBE	
14	VGP3933	1	HOSE CLIP	D=95 SMS2298
15	VGP3934	2	HOSE CLIP	D=85 SMS2298
16	V34654000	1	SENSOR AIR FILTER	65 BAR
17	V36734100	1	TUBE	
18	VGP3942	1	HOSE CLIP	D=75 SMS2298
20	V35926500	1	HOSE	L=250
21	VGP3919	4	HOSE CLIP	D=26-38 SMS2298
22	V35913900	1	TUBE	
23	V33302900	1	PIPE SUPPORT	D=32 DIN 3016
24	VHA9228	1	SCREW	M8 X 10 SFS_EN_ISO_4017 8.8
25	VJD0408	1	WASHER	M8

A95N TRACTOR (AN SERIES)
SPIMG-014-21-32



Item	Part Number	Qty	Description Comments
1	V836759238	1	TURBOCHARGER
2	V836740277	1	GASKET
			S1
3	V546801380	4	STUD BOLT
4	V504800800	4	NUT
5	V836755060	1	TURBOCHARGER LUBRICATION OIL PIPE
6	V640435008	2	BANJO BOLT
7	V615881216	4	SEALING WASHER S1
8	V836647689	1	SUPPORT
9	V615881620	1	SEALING WASHER S1
10	V836647687	1	TURBOCHARGER LUBRICATION OIL PIPE
11	V641086012	1	STRAIGHT FITTING
12	V836119996	1	RUBBER HOSE
13	V602079516	2	HOSE CLIP
14	V602094575	1	HOSE CLIP
15	V602083550	3	HOSE CLIP
16	V836119992	1	RUBBER HOSE
17	V836667260	1	AIR PIPE
18	V836647654	1	RUBBER HOSE

Thank you so much for reading.
Please click the “Buy Now!”
button below to download the
complete manual.



After you pay.

You can download the most
perfect and complete manual in
the world immediately.

Our support email:

ebooklibonline@outlook.com