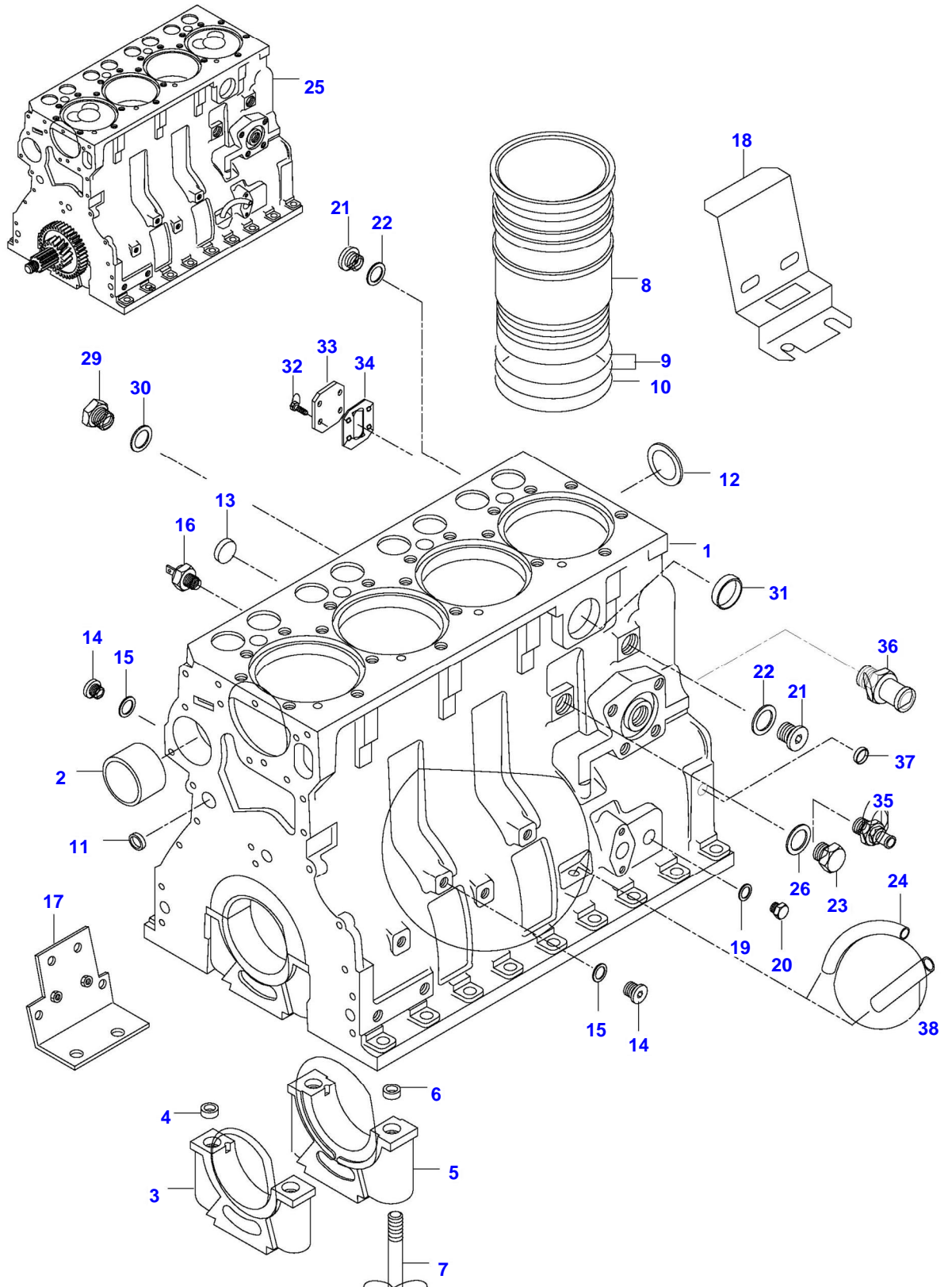


| Page Number | Page Title | Page Reference |
|--------------------|-------------------------------------|-----------------------|
| 01-000-TOC | ENGINE, FUEL AND EXHAUST SYSTEM | 01-000-TOC |
| 02-000-TOC | AXLES | 02-000-TOC |
| 03-000-TOC | STEERING SYSTEM | 03-000-TOC |
| 04-000-TOC | DRIVE TRAIN SYSTEM | 04-000-TOC |
| 05-000-TOC | BRAKE SYSTEM | 05-000-TOC |
| 06-000-TOC | COMPRESSED AIR SYSTEM | 06-000-TOC |
| 07-000-TOC | HYDRAULIC SYSTEM | 07-000-TOC |
| 08-000-TOC | ELECTRICAL SYSTEM | 08-000-TOC |
| 09-000-TOC | CAB | 09-000-TOC |
| 10-000-TOC | AIR CONDITIONING AND HEATING SYSTEM | 10-000-TOC |
| 11-000-TOC | CHASSIS | 11-000-TOC |
| 12-000-TOC | DECALS | 12-000-TOC |
| 13-000-TOC | WHEELS | 13-000-TOC |
| 14-000-TOC | IMPLEMENT DRIVE SYSTEM | 14-000-TOC |
| 15-000-TOC | IMPLEMENT LIFT SYSTEM FRONT | 15-000-TOC |
| 16-000-TOC | IMPLEMENT LIFT SYSTEM REAR | 16-000-TOC |
| 17-000-TOC | PRECISION FARMING SYSTEMS | 17-000-TOC |
| 18-000-TOC | ATTACHMENTS | 18-000-TOC |
| 19-000-TOC | GENERAL INFORMATION | 19-000-TOC |

| Page Number | Page Title | Page Reference |
|-------------|---|----------------|
| 01-0001 | CYLINDERBLOCK | 21-02 |
| 01-0002 | FLYWHEEL AND HOUSING | 21-06 |
| 01-0003 | CYLINDER HEAD | 21-08 |
| 01-0004 | VALVE MECHANISM | 21-12 |
| 01-0005 | CRANK MECHANISM | 21-16 |
| 01-0006 | GEAR HOUSING | 21-20 |
| 01-0007 | OIL FILTER | 21-24 |
| 01-0008 | OIL SUMP | 21-30 |
| 01-0009 | AIR CLEANER | 21-36 |
| 01-0010 | INTAKE- AND EXHAUST PIPE | 21-40 |
| 01-0011 | MUFFLER | 21-46 |
| 01-0012 | TURBOCHARGER | 21-52 |
| 01-0013 | COLD STARTING DEVICE | 21-56 |
| 01-0014 | FUEL FILTER | 22-04 |
| 01-0015 | PREFILTER, FUEL | 22-10 |
| 01-0016 | FUEL PIPES | 22-12 |
| 01-0017 | INJECTION PUMP | 22-14 |
| 01-0018 | SPEED LEVERS | 22-22 |
| 01-0019 | RADIATOR | 23-02 |
| 01-0020 | COOLANT PUMP | 23-06 |
| | -K6490(M) | |
| 01-0021 | COOLANT PUMP | 23-06A |
| | K6491-(M) | |
| 01-0022 | STARTERMOTOR | 31-02 |
| | -P06276 | |
| 01-0023 | STARTERMOTOR | 31-02A |
| | P06277- | |
| 01-0024 | ALTERNATOR | 31-04 |
| 01-0025 | ALTERNATOR | 31-06 |
| | -N11770(M) | |
| 01-0026 | GASKET SETS | 28-02 |
| 01-0027 | GASKET SETS | 28-06 |
| 01-0028 | ENGINE REPAIR KIT AND BEARING | 28-10 |
| 01-0029 | ADJUSTING PLATE FOR INJECTOR | 28-14 |
| 01-0030 | SHIELD COVER AIR CLEANER (OPTIONAL EQUIPMENT) | 29-18 |
| 01-0031 | CATALYZER (OPTIONAL EQUIPMENT) | 29-24 |
| | PILLAR EXHAUST PIPE | |
| 01-0032 | ENGINE HEATER (OPTIONAL EQUIPMENT) | 39-06 |

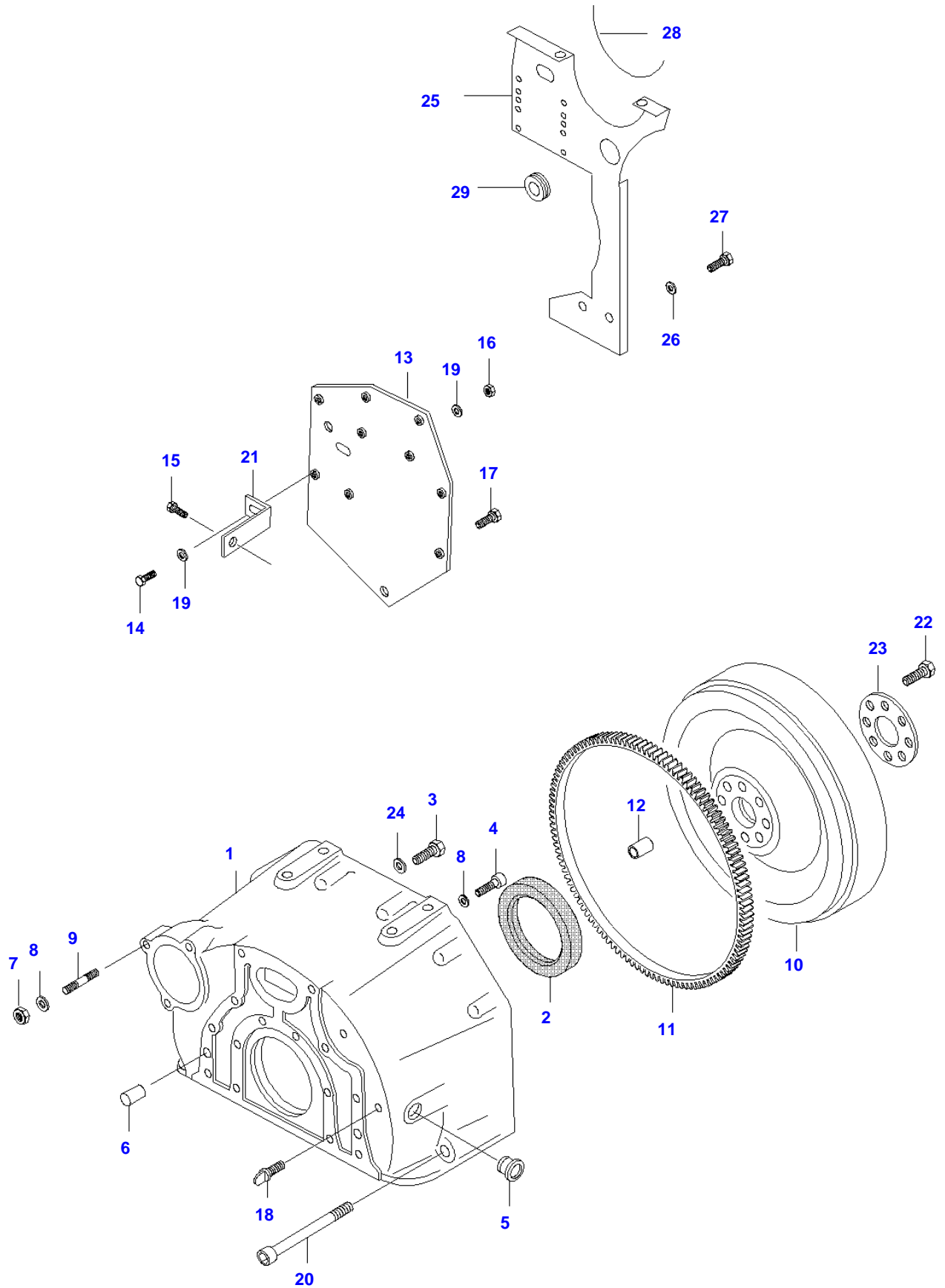
6650HI TRACTOR (HITECH SERIES)
SPIMG-008-21-02



| Item | Part Number | Qty | Description Comments | Technical Specification |
|------|-------------|-----|---------------------------------------|-------------------------|
| 1 | V836766377 | 1 | CYLINDER BLOCK | |
| 2 | V836866069 | 1 | CAMSHAFT BEARING BUSHING | |
| 3 | NS | 4 | NON-SERVICEABLE PART | |
| 4 | V836214478 | 8 | BEARING COVER GUIDE SLEEVE | |
| 5 | NS | 1 | NON-SERVICEABLE PART | |
| 6 | V836214478 | 2 | BEARING COVER GUIDE SLEEVE | |
| 7 | V835329030 | 10 | HEX CAP SCREW | |
| 8 | V836666990 | 4 | LINER | FLANGE HEIGHT + 0.05 MM |
| | V836647933 | | LINER FLANGE S=9.08 | |
| | V836647934 | | LINER FLANGE S=9.13 | FLANGE HEIGHT + 0.10 MM |
| | V836647935 | | LINER FLANGE S=9.23 | FLANGE HEIGHT + 0.15 MM |
| 9 | V836647502 | 8 | CYLINDER LINER O-RING S2 | |
| 10 | V836647503 | 4 | CYLINDER LINER O-RING S2 | |
| 11 | V640016016 | 4 | CUP PLUG | |
| 12 | V836529872 | 1 | PLUG | |
| 13 | V640016018 | 1 | CUP PLUG | |
| 14 | V640325110 | 2 | SCREW PLUG | |
| 15 | V615571014 | 2 | SEALING WASHER S2 | |
| 16 | V887283760 | 1 | PRESSURE SWITCH REF. 3 | |
| 17 | V836647927 | 1 | RETAINING PLATE LEFT | |
| | V836647926 | 1 | RETAINING PLATE RIGHT | |
| 18 | V836755844 | 2 | SUPPORT | |
| 19 | V615881216 | 1 | SEALING WASHER S2 | |
| 20 | V640045112 | 5 | PLUG | |
| 21 | V640325018 | 2 | PLUG | |
| 22 | V615881822 | 2 | SEALING WASHER | |
| 23 | V836019756 | 1 | PLUG | |
| 24 | V836129747 | 1 | OIL DIPSTICK GUIDE PIPE -R13715(M) | |
| 38 | V836666910 | 1 | OIL DIPSTICK GUIDE PIPE R13716-(M) | |
| 25 | V862640001 | 1 | REMANUFACTURED SHORT BLOCK ENGINE | |
| 26 | V615881824 | 1 | SEALING WASHER S2 | |
| 29 | V836119079 | 1 | PLUG | |
| 30 | V615881620 | 1 | SEALING WASHER | |
| 31 | V640016040 | 1 | CUP PLUG | |
| 32 | V528801362 | 4 | HEX CAP SCREW N11771-(M) | |
| 33 | V836866957 | 1 | COVER N11771-(M) | |
| 34 | V836866958 | 1 | GASKET N11771-(M) | |
| 35 | V836664377 | 1 | DRAIN VALVE | |
| 36 | V836119837 | 1 | HOSE COUPLER | |

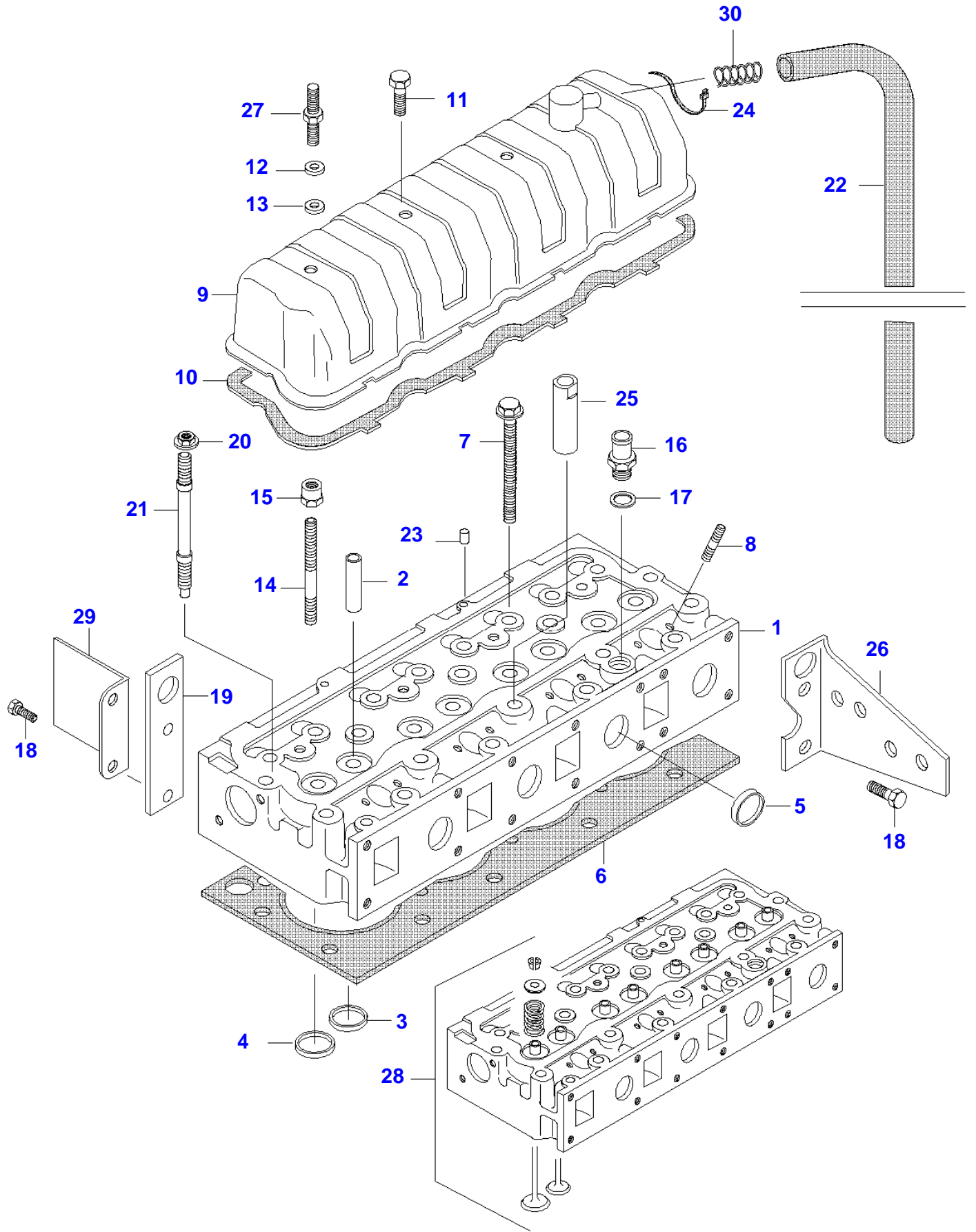
| Item | Part Number | Qty | Description Comments | Technical Specification |
|------|-------------|-----|----------------------------|-------------------------|
| 37 | V640016020 | 1 | CUP PLUG | |
| | V836740280 | 1 | ENGINE GASKET KIT S1 | |
| | V836740281 | 1 | ENGINE GASKET KIT S1+S2 | |

6650HI TRACTOR (HITECH SERIES)
SPIMG-008-21-06



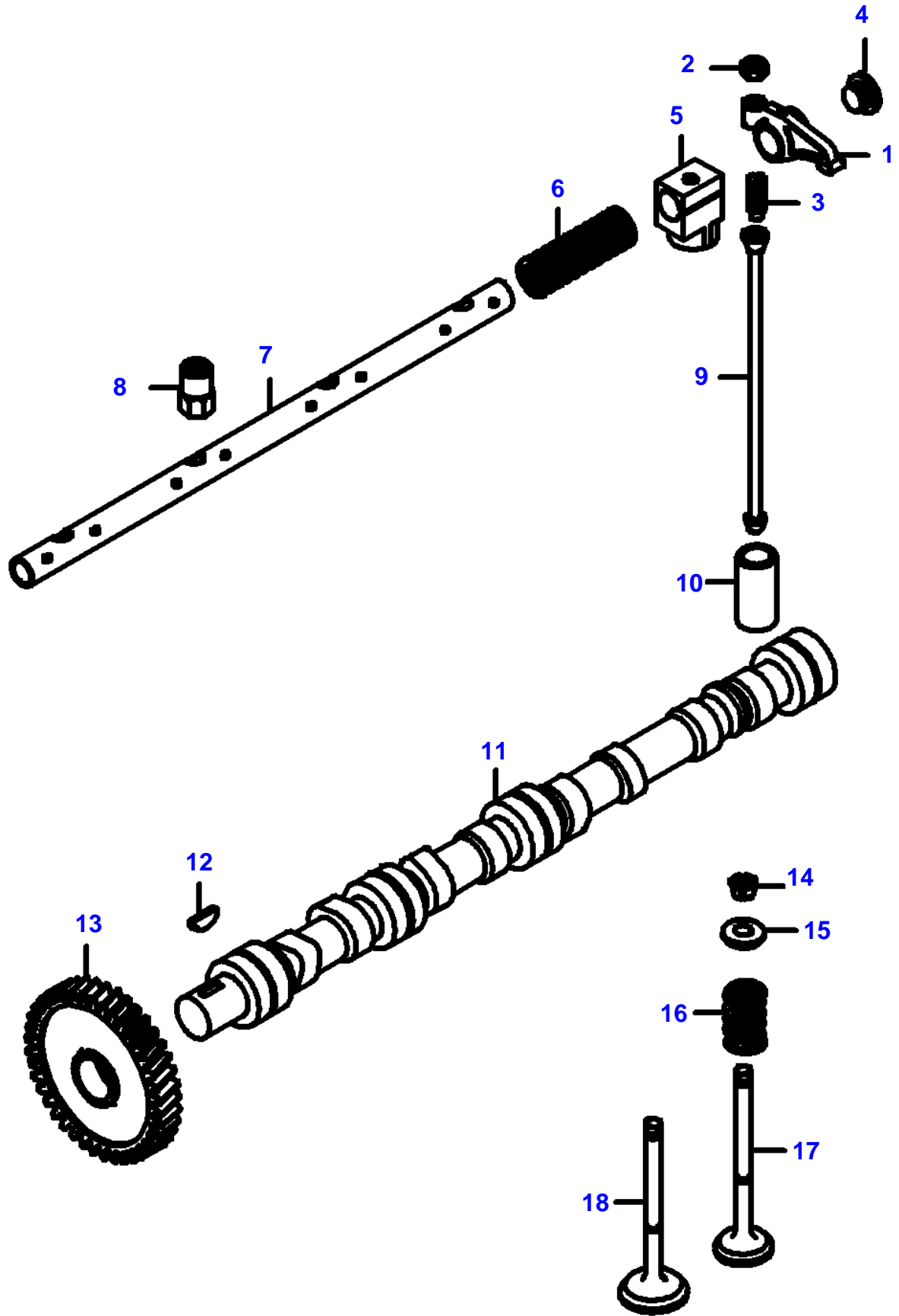
| Item | Part Number | Qty | Description Comments | Technical Specification |
|------|-------------|-----|------------------------------|-----------------------------|
| 1 | V836647439 | 1 | FLYWHEEL HOUSING | |
| 2 | V614500002 | 1 | CRANKSHAFT SEAL S2 | |
| 3 | V529702220 | 8 | HEX CAP SCREW | |
| 4 | V581705030 | 6 | HEX SOCKET SCREW | |
| 5 | V836007572 | 1 | RUBBER PLUG | |
| 6 | V598359850 | 2 | PIN | |
| 7 | V504601000 | 3 | NUT | |
| 8 | V500951000 | 9 | SPRING WASHER | |
| 9 | V546801800 | 3 | STUD BOLT | |
| 10 | V836659990 | 1 | FLYWHEEL SASCH | |
| | V836659502 | 1 | FLYWHEEL VOITH -666065 | |
| | V836759820 | 1 | FLYWHEEL VOITH 666066- | |
| 11 | V835328783 | 1 | STARTER RING | |
| 12 | V836659527 | 1 | GUIDE SLEEVE | |
| 13 | V836759798 | 1 | BRACKET | |
| 14 | V528801362 | 1 | HEX CAP SCREW | |
| 15 | V528801760 | 1 | HEX CAP SCREW | |
| 16 | V504800800 | 1 | NUT | |
| 17 | V528802180 | 1 | HEX CAP SCREW | |
| 18 | V836859311 | 1 | PLUG | |
| 19 | V500150842 | 2 | WASHER | |
| 20 | VHC8519 | 2 | HEX SOCKET SCREW | M12 X 140 DIN912 8.8 |
| 21 | V836755361 | 1 | SUPPORT | |
| 22 | V529702250 | 8 | HEX CAP SCREW | |
| 23 | V836355864 | 1 | RING | |
| 24 | V500951200 | 8 | SPRING WASHER | |
| 25 | V34172400 | 1 | HOLDER | |
| 26 | VJD0408 | 2 | WASHER | M8 |
| 27 | VHA6322 | 2 | SCREW | M8 X 16 SFS_EN_ISO_4017 8.8 |
| 28 | V32604200 | 1 | BAND | |
| 29 | ACV0799330 | 1 | GROMMET | |

6650HI TRACTOR (HITECH SERIES)
SPIMG-008-21-08



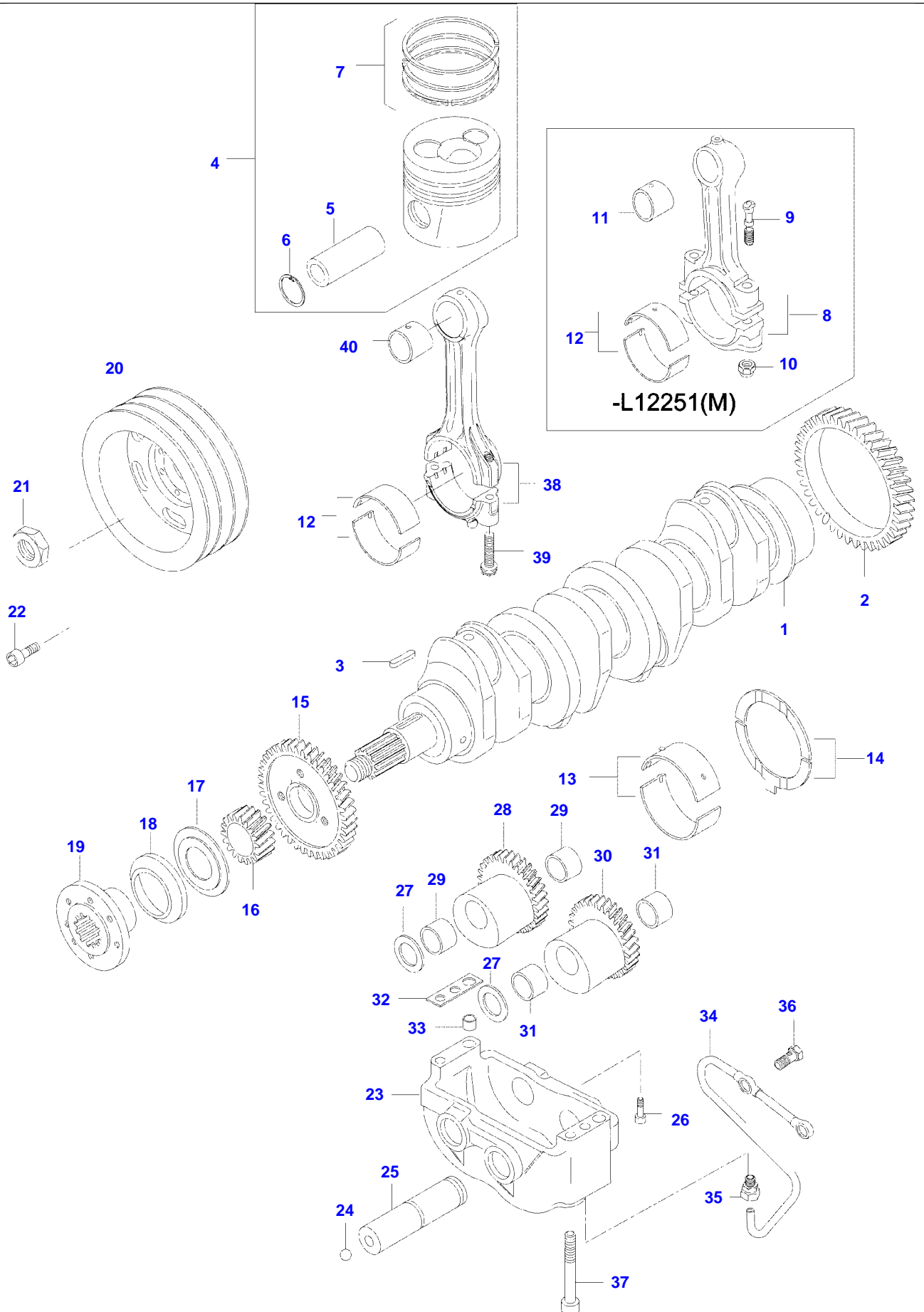
| Item | Part Number | Qty | Description Comments |
|------|-------------|-----|---------------------------------|
| 1 | V836755385 | 1 | CYLINDER HEAD |
| 2 | V836647601 | 8 | GUIDE |
| 3 | V836647600 | 4 | VALVE SEAT |
| 4 | V836647936 | 4 | EXHAUST VALVE SEAT |
| 5 | V836647942 | 8 | INTAKE CUP PLUG |
| 6 | V837070291 | 1 | CYLINDER HEAD GASKET S1 |
| 7 | V836859104 | 19 | HEXAGON FLANGE BOLT |
| 8 | V546901435 | 8 | STUD BOLT |
| 9 | V836746361 | 1 | VALVE ROCKER COVER |
| 10 | V836746362 | 1 | VALVE ROCKER COVER GASKET S1 |
| 11 | V528801780 | 3 | HEX CAP SCREW |
| 12 | V836119855 | 4 | WASHER |
| 13 | V836012841 | 4 | RUBBER BUSHING S1 |
| 14 | V546801900 | 4 | STUD BOLT |
| 15 | V836655406 | 4 | SLEEVE NUT |
| 16 | V836119837 | 1 | HOSE COUPLER |
| 17 | V615881822 | 1 | SEALING WASHER S1 |
| 18 | V528801800 | 4 | HEX CAP SCREW M10 |
| 19 | V836855349 | 2 | LIFT EYE |
| 20 | V836859110 | 3 | NUT |
| 21 | V836859109 | 3 | STUD BOLT |
| 22 | V836647814 | 1 | RUBBER HOSE |
| 23 | V595959140 | 2 | PIN |
| 24 | V835329746 | 1 | CABLE TIE |
| 25 | V836647835 | 1 | LIFTING EYE EXTENSION |
| 27 | V836659175 | 1 | STUD BOLT |
| 28 | V836740869 | 1 | CYLINDER HEAD |
| 29 | V836666199 | 1 | HEAT SHIELD |
| 30 | V836659103 | 1 | SPRING |

6650HI TRACTOR (HITECH SERIES)
SPIMG-008-21-12



| Item | Part Number | Qty | Description Comments |
|------|-------------|-----|-------------------------------|
| 1 | V836767044 | 1 | ROCKER SHAFT ASM |
| 1 | V836666608 | 8 | ROCKER ARM |
| | | | . |
| | | | -S12222 (M) |
| | V836667042 | 8 | ROCKER ARM |
| | | | . |
| | | | S12223- (M) |
| 2 | V512861000 | 8 | NUT |
| | | | .. |
| 3 | V836655866 | 8 | ADJUSTING SCREW |
| | | | .. |
| | | | -S12222 (M) |
| | V837069023 | 8 | VALVE ROCKER ADJUSTMENT SCREW |
| | | | .. |
| | | | S12223- (M) |
| 4 | V836655899 | 2 | PLUG |
| | | | . |
| | | | -S12222 (M) |
| | V837069020 | 2 | PLUG |
| | | | . |
| | | | S12223- (M) |
| 5 | V836655869 | 4 | BRACKET |
| | | | . |
| 6 | V836655884 | 3 | SPRING |
| | | | . |
| 7 | V836755871 | 1 | SHAFT |
| | | | . |
| 8 | V836655406 | 4 | SLEEVE NUT |
| 9 | V836655867 | 8 | PUSHROD |
| 10 | V836014264 | 8 | TAPPET |
| 11 | V836746375 | 1 | CAMSHAFT |
| 12 | V603305760 | 1 | WOODRUFF KEY |
| 13 | V836646389 | 1 | GEAR,CAMSHAFT |
| 14 | V836646382 | 16 | COTTER |
| 15 | V836646381 | 8 | WASHER |
| 16 | V836646380 | 8 | SPRING |
| 17 | V836646357 | 4 | EXHAUST VALVE |
| 18 | V836646356 | 4 | INTAKE VALVE |

6650HI TRACTOR (HITECH SERIES)
SPIMG-008-21-16

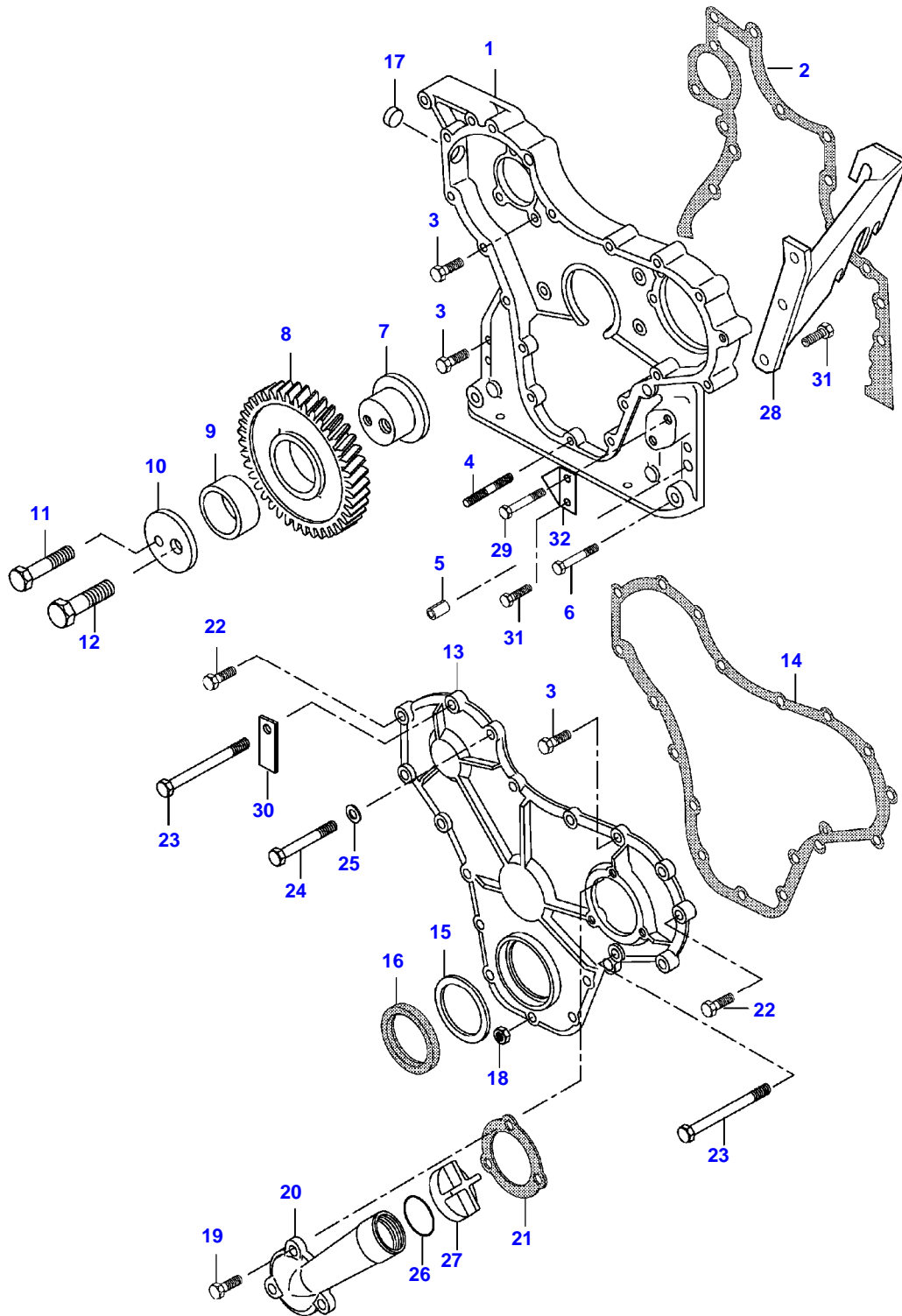


| Item | Part Number | Qty | Description Comments | Technical Specification |
|------|-------------|-----|---------------------------------------|-------------------------|
| 1 | V836747324 | 1 | CRANKSHAFT | |
| 2 | V836124524 | 1 | GEAR | |
| 3 | V603345110 | 1 | KEY | |
| 4 | V836640073 | 4 | PISTON | |
| 5 | NS | 4 | NON-SERVICEABLE PART | |
| 6 | NS | 8 | PISTON PIN NON-SERVICEABLE PART | |
| 7 | V836640078 | 4 | CIRCLIP PISTON RING KIT | |
| 8 | V836647460 | 4 | CONROD 2150-2169 G X -L12251(M) | |
| | V836652104 | | CONROD 2170-2189 G A -L12251(M) | |
| | V836652105 | | CONROD 2190-2209 G B -L12251(M) | |
| | V836652106 | | CONROD 2210-2229 G C -L12251(M) | |
| | V836652107 | | CONROD 2230-2249 G D -L12251(M) | |
| | V836652108 | | CONROD 2250-2269 G E -L12251(M) | |
| | V836652109 | | CONROD 2270-2289 G H -L12251(M) | |
| | V836652110 | | CONROD 2290-2309 G I -L12251(M) | |
| | V836652111 | | CONROD 2310-2329 G J -L12251(M) | |
| | V836652112 | | CONROD 2330-2349 G K -L12251(M) | |
| | V836652113 | | CONROD 2350-2369 G L -L12251(M) | |
| | V836652114 | | CONROD 2370-2389 G M -L12251(M) | |
| | V836652115 | | CONROD 2390-2409 G N -L12251(M) | |
| | V836652116 | | CONROD 2410-2429 G O -L12251(M) | |
| | V836652117 | | CONROD 2430-2449 G P -L12251(M) | |
| | V836652118 | | CONROD 2450-2469 G R -L12251(M) | |
| | V836652119 | | CONROD 2470-2489 G S -L12251(M) | |

| Item | Part Number | Qty | Description Comments | Technical Specification |
|------|-------------|-----|---|-------------------------|
| | V836652120 | | CONROD 2490-2509 G T -L12251(M) | |
| | V836652121 | | CONROD 2510-2529 G U -L12251(M) | |
| | V836740859 | 1 | CONNECTING ROD KIT INCLUDES: REF. 38-40 L12252-(M) | |
| 38 | NS | | NON-SERVICEABLE PART CONNECTING ROD 1935-1954 G F L12252-(M) | |
| | NS | | NON-SERVICEABLE PART CONNECTING ROD 1955-1974 G V L12252-(M) | |
| | NS | | NON-SERVICEABLE PART CONNECTING ROD 1975-1994 G X L12252-(M) | |
| | NS | | NON-SERVICEABLE PART CONNECTING ROD 1995-2014 G Y L12252-(M) | |
| | NS | | NON-SERVICEABLE PART CONNECTING ROD 2015-2034 G W L12252-(M) | |
| | NS | | NON-SERVICEABLE PART CONNECTING ROD 2035-2054 G Z L12252-(M) | |
| | NS | | NON-SERVICEABLE PART CONNECTING ROD 2055-2074 G G L12252-(M) | |
| 9 | V836646204 | 8 | CONNECTING ROD BOLT . -L12251(M) | |
| 39 | V836864141 | 8 | CONNECTING ROD BOLT . L12252-(M) | |
| 10 | V836646205 | 8 | NUT . -L12251(M) | |
| 11 | V836646271 | 4 | BEARING BUSH . -L12251(M) | |
| 40 | V836110646 | 4 | BEARING BUSH . L12252-(M) | STD |
| 12 | V836110552 | 4 | BEARING SHELL SEE PAGE 01-0028 | |
| 13 | V836655514 | 5 | MAIN BEARING SEE PAGE 01-0028 | |
| 14 | V836119459 | 2 | THRUST WASHER SEE PAGE 01-0028 | |
| 15 | V836119550 | 1 | GEAR,CRANKSHAFT | |
| 16 | V836122840 | 1 | GEAR,CRANKSHAFT | |
| 17 | V836129781 | 1 | RING | |
| 18 | V836136271 | 1 | SHIELD -P10523(M) | |
| 19 | V836846463 | 1 | CRANKSHAFT HUB | |
| 20 | V836655534 | 1 | CRANKSHAFT V-BELT PULLEY | |

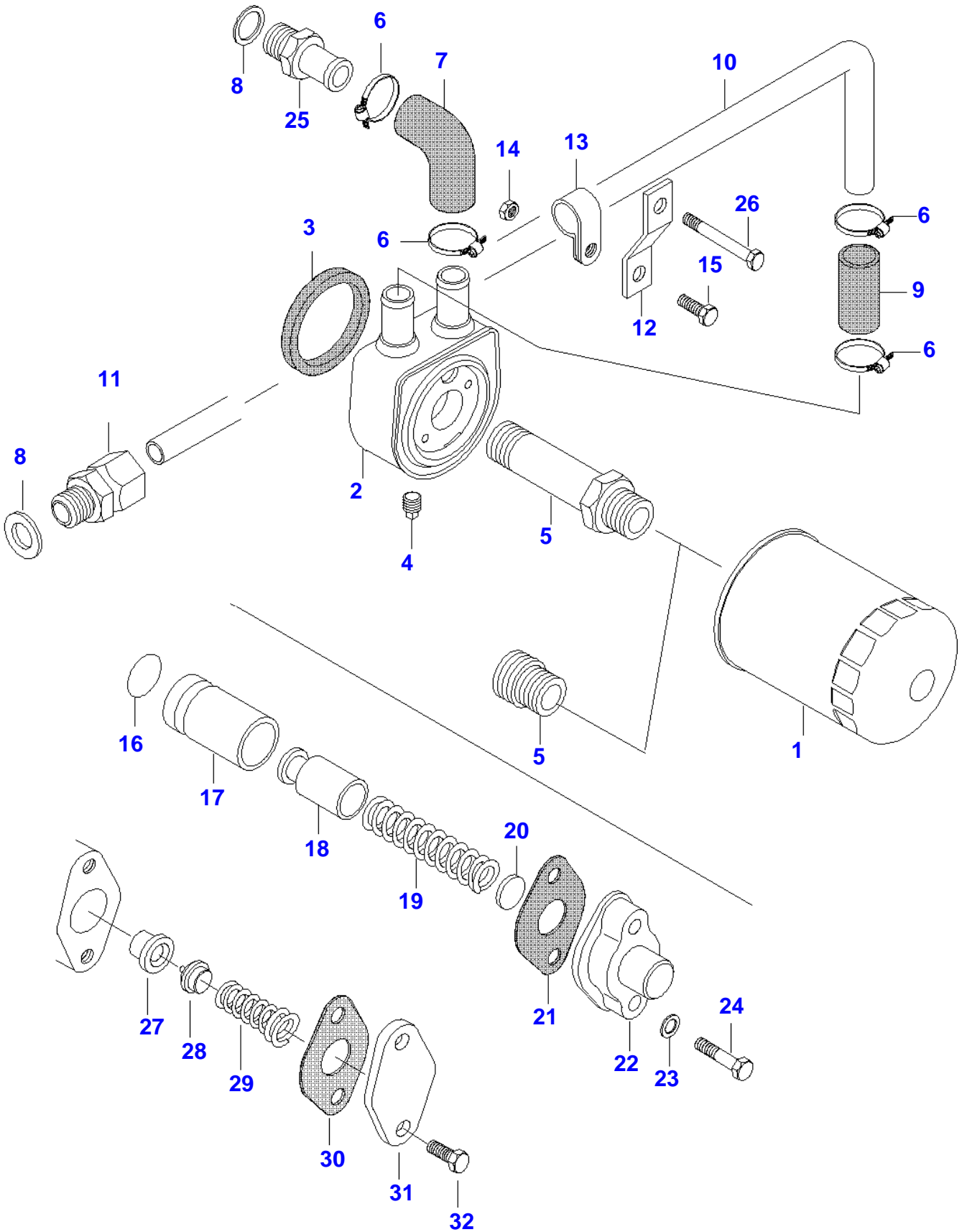
| Item | Part Number | Qty | Description Comments | Technical Specification |
|------|-------------|-----|-------------------------|-------------------------|
| 21 | V836647310 | 1 | CRANKSHAFT NUT | |
| 22 | V581804600 | 6 | HEX SOCKET SCREW | |
| 23 | V836747349 | 1 | BALANCER | |
| | | | -L10351(M) | |
| | V836766123 | 1 | COUNTERWEIGHT | |
| | | | L10352-(M) | |
| 24 | V616810103 | 2 | BALL | |
| 25 | V836146879 | 2 | SHAFT | |
| 26 | V581804200 | 2 | HEX SOCKET SCREW | |
| 27 | V836146880 | 4 | THRUST WASHER | |
| 28 | V836146877 | 1 | GEAR | |
| | | | -L10351(M) | |
| | V836766121 | 1 | COUNTERWEIGHT | |
| | | | L10352-(M) | |
| 29 | V836146876 | 2 | BEARING BUSH | |
| 30 | V836146878 | 1 | GEAR | |
| | | | -L10351(M) | |
| | V836766122 | 1 | COUNTERWEIGHT | |
| | | | L10352-(M) | |
| 31 | V836146876 | 2 | BEARING BUSH | |
| 32 | V836119920 | | SHIM | |
| 33 | V598359850 | 2 | PIN | |
| 34 | V836747298 | 1 | OIL PIPE | |
| 35 | V641016008 | 1 | STRAIGHT FITTING | |
| 36 | V640435008 | 2 | BANJO BOLT | |
| 37 | V581805170 | 4 | HEX SOCKET SCREW | |

6650HI TRACTOR (HITECH SERIES)
SPIMG-008-21-20



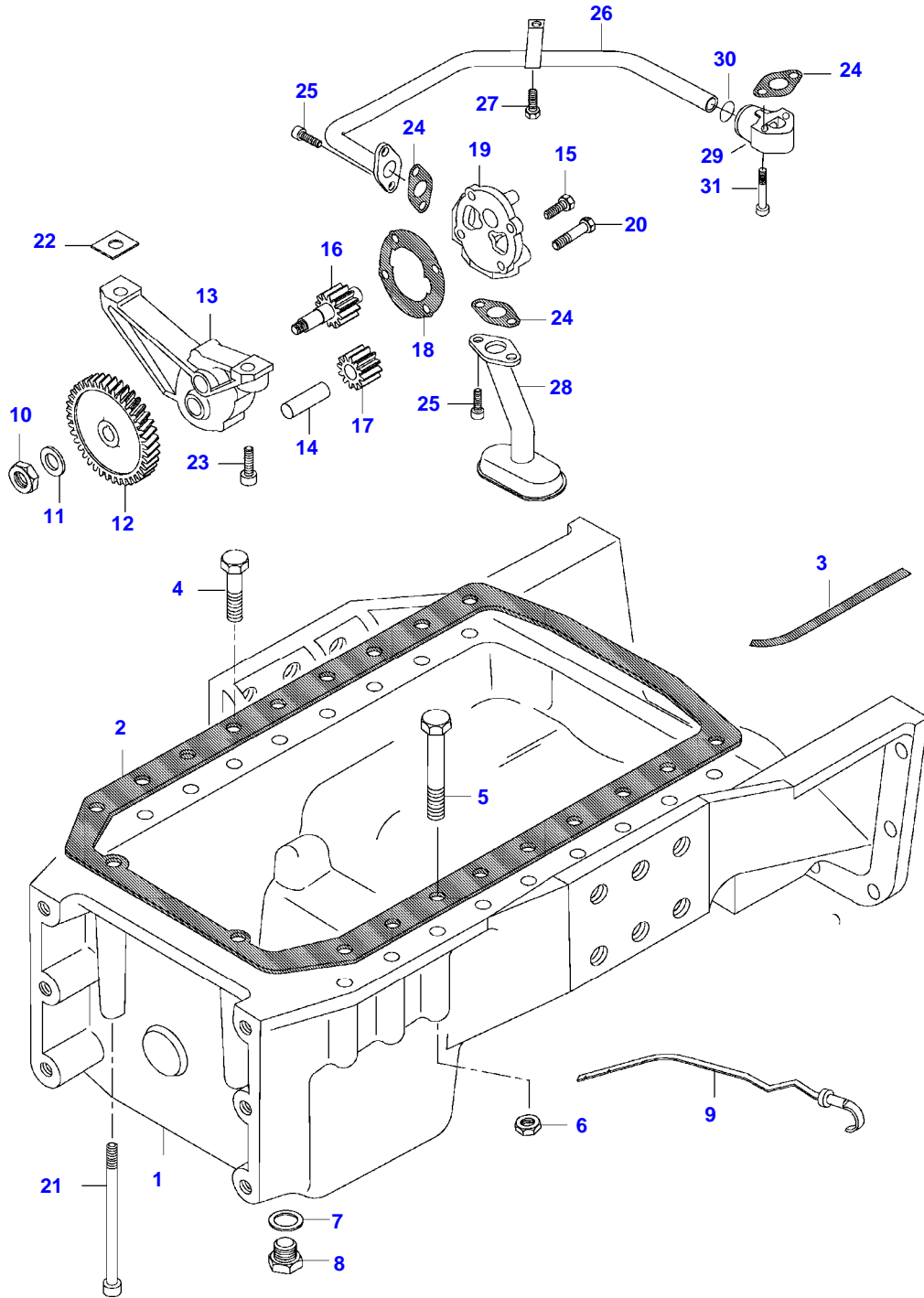
| Item | Part Number | Qty | Description Comments |
|------|-------------|-----|---------------------------------------|
| 1 | V836647865 | 1 | TIMING GEAR CASE |
| 2 | V836647419 | 1 | GASKET S2 |
| 3 | V528801400 | 11 | HEX CAP SCREW |
| 4 | V546801380 | 4 | STUD BOLT |
| 5 | V598359850 | 4 | PIN |
| 6 | V529801440 | 2 | HEX CAP SCREW |
| 7 | V836129709 | 1 | SHAFT |
| 8 | V836129863 | 1 | IDLER GEAR |
| 9 | V836129844 | 1 | BEARING BUSH |
| 10 | V836129845 | 1 | FLANGE |
| 11 | V528801860 | 1 | HEX CAP SCREW |
| 12 | V529902680 | 1 | HEX CAP SCREW |
| 13 | V836647572 | 1 | GEAR HOUSING FRONT COVER |
| 14 | V836129942 | 1 | GASKET S2 |
| 15 | V836129782 | 1 | COVER |
| 16 | V614105880 | 1 | OIL SEAL S2 |
| 17 | V640016016 | 1 | CUP PLUG |
| 18 | V504800800 | 5 | NUT |
| 19 | V528801380 | 3 | HEX CAP SCREW |
| 20 | V836746921 | 1 | PIPE |
| 21 | V836129946 | 1 | GASKET S2 |
| 22 | V528801420 | 4 | HEX CAP SCREW |
| 23 | V529801500 | 2 | HEX CAP SCREW |
| 24 | V529801470 | 3 | HEX CAP SCREW |
| 25 | V836120989 | 1 | WASHER |
| 26 | V614604740 | 1 | O-RING S2 |
| 27 | V836338733 | 1 | OIL FILLER CAP |
| 28 | V836659804 | 1 | THROTTLE SENSOR BRACKET -K14472(M) |
| | V836664528 | 1 | THROTTLE SENSOR BRACKET K14473-(M) |
| 29 | V529801450 | 1 | HEX CAP SCREW |
| 30 | V836083428 | 1 | CABLE TIE |
| 31 | V528801362 | 3 | HEX CAP SCREW |

6650HI TRACTOR (HITECH SERIES)
SPIMG-008-21-24



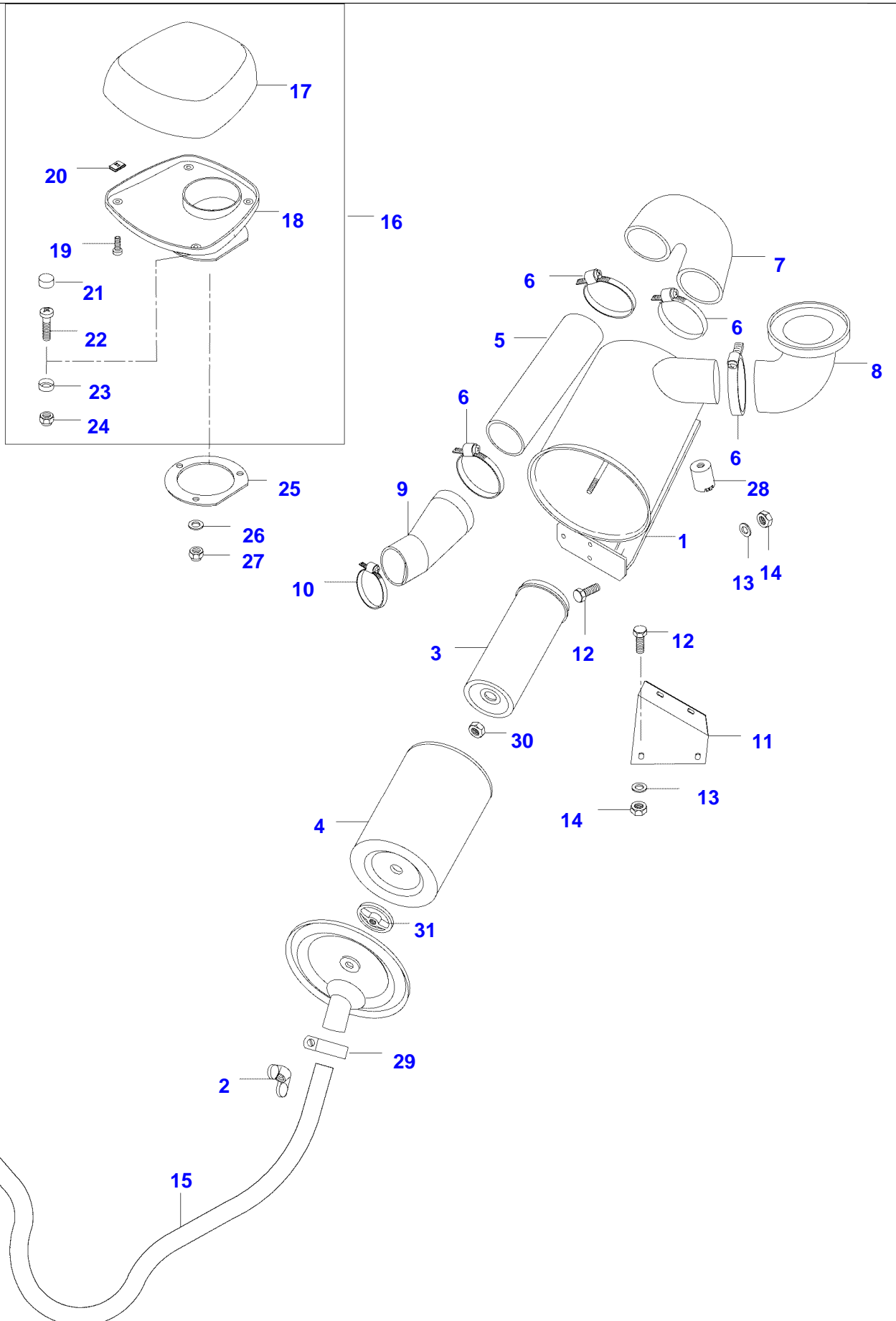
| Item | Part Number | Qty | Description Comments |
|------|-------------|-----|---|
| 1 | V836162572 | 1 | ENGINE OIL FILTER |
| 5 | V836647404 | 1 | UNION |
| | V835340042 | 1 | OIL PRESSURE CONTROL VALVE -J7600(M) |
| 16 | V614601524 | 1 | O-RING |
| | | | . |
| | | | S2 |
| 17 | V836117834 | 1 | CYLINDER |
| | | | . |
| 18 | V836338850 | 1 | OIL PRESSURE CONTROL VALVE |
| | | | . |
| 19 | V836117836 | 1 | SPRING |
| | | | . |
| 20 | V836020290 | 1 | INJECTOR SHIM |
| | | | . |
| 21 | V836322190 | 1 | GASKET |
| | | | . |
| | | | S2 |
| 22 | V836129849 | 1 | COVER |
| 23 | V500950800 | 2 | SPRING WASHER |
| 24 | V528801420 | 2 | HEX CAP SCREW |
| | V836662129 | 1 | OIL PRESSURE CONTROL VALVE J7601-(M) |
| 27 | V836659521 | 1 | VALVE SEAT |
| | | | . |
| 28 | V836659522 | 1 | VALVE CONE |
| | | | . |
| 29 | V836659523 | 1 | SPRING |
| | | | . |
| 30 | V836322190 | 1 | GASKET |
| | | | . |
| | | | S2 |
| 31 | V836659524 | 1 | COVER |
| | | | . |
| 32 | V528801380 | 2 | HEX CAP SCREW |
| | | | . |
| | | | M8 X 20 |

6650HI TRACTOR (HITECH SERIES)
SPIMG-008-21-30



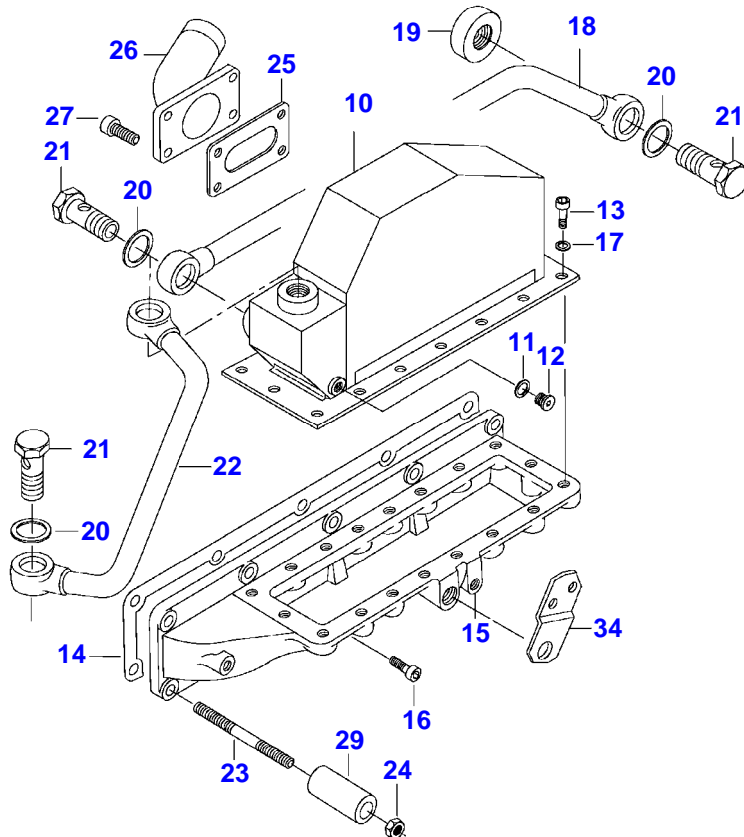
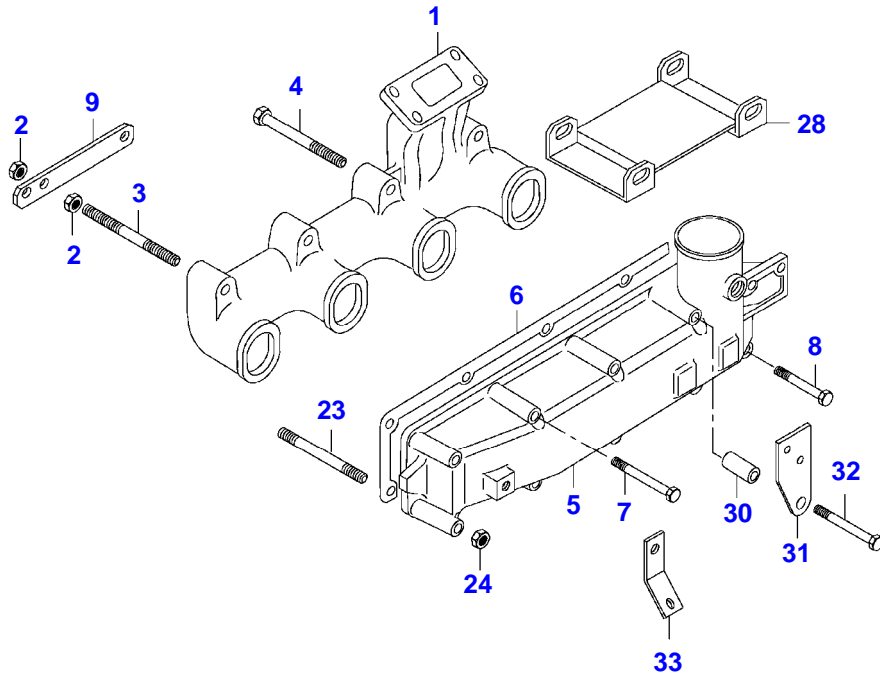
| Item | Part Number | Qty | Description Comments |
|------|-------------|-----|--------------------------------|
| 1 | V836136014 | 1 | OIL SUMP V30146600 |
| 2 | V836129728 | 1 | OIL SUMP GASKET S2 |
| 3 | V836129727 | 2 | GASKET S2 |
| 4 | V529702270 | 11 | HEX CAP SCREW |
| 5 | V529902390 | 7 | HEX CAP SCREW |
| 6 | V504801200 | 18 | NUT |
| 7 | V615881827 | 1 | SEALING WASHER S2 |
| 8 | V836655493 | 1 | PLUG |
| 9 | V836129939 | 1 | DIPSTICK -R13715(M) |
| | V836767743 | 1 | DIPSTICK R13716-(M) BLUE |
| | V836652605 | 1 | LUBRICATING OIL PUMP |
| 10 | V504861000 | 1 | NUT |
| 11 | V836122910 | 1 | WASHER |
| 12 | V836338667 | 1 | GEAR |
| 13 | V836120195 | 1 | HOUSING |
| 14 | V836120191 | 1 | OIL PUMP SHAFT |
| 15 | V528801380 | 2 | HEX CAP SCREW |
| 16 | V836652600 | 1 | OIL PUMP SHAFT |
| 17 | V836120193 | 1 | GEAR |
| 18 | V836119796 | 1 | GASKET S2 |
| 19 | V836129412 | 1 | COVER |
| 20 | V529801440 | 2 | HEX CAP SCREW |
| 21 | V581704800 | 2 | HEX SOCKET SCREW |
| 22 | V836007871 | | SHIM |
| 23 | V581805050 | 2 | HEX SOCKET SCREW |
| 24 | V836008449 | 3 | GASKET S2 |
| 25 | V581804600 | 4 | HEX SOCKET SCREW |
| 26 | V836766983 | 1 | OIL PIPE |
| 27 | V528801760 | 1 | HEX CAP SCREW |
| 28 | V836138033 | 1 | AIR PIPE |
| 29 | V836766984 | 1 | ADAPTER FLANGE |
| 30 | V614701830 | 1 | O-RING |
| 31 | V581804680 | 2 | HEX SOCKET SCREW |

6650HI TRACTOR (HITECH SERIES)
SPIMG-008-21-36



| Item | Part Number | Qty | Description Comments | Technical Specification |
|------|-------------|-----|--------------------------------------|---------------------------|
| | V33057500 | 1 | AIR FILTER ASSEMBLY -K23221 | D=225 |
| | V33057510 | 1 | AIR FILTER ASSEMBLY K23222- | D=225 |
| 1 | NS | 1 | NON-SERVICEABLE PART . HOUSING | |
| 30 | VJB8905 | 1 | LOCKNUT | M10 SFS_EN_ISO_10511 |
| 31 | V35315600 | 1 | NUT | |
| 2 | VJC1610 | 1 | BLADE NUT | M10 DIN315 G5 ZNE |
| 3 | V836462569 | 1 | SECONDARY AIR FILTER ELEMENT . | |
| 4 | V836462568 | 1 | PRIMARY AIR FILTER ELEMENT . | |
| 5 | V33031600 | 1 | TUBE | |
| 6 | VGP3933 | 4 | HOSE CLIP | D=95 SMS2298 |
| 7 | V33031900 | 1 | CURVED RUBBER | |
| 8 | V33032100 | 1 | CURVED RUBBER | |
| 9 | V32999400 | 1 | TUBE | |
| 10 | VGP3942 | 1 | HOSE CLIP | D=75 SMS2298 |
| 11 | V32952300 | 1 | CARRIER | |
| 12 | VHA6323 | 7 | SCREW | M8 X 20 CL8.8 |
| 13 | VJD0408 | 7 | WASHER | M8 |
| 14 | VJB8904 | 7 | NUT | M8 |
| 15 | V33032810 | 1 | HOSE | L=1250 |
| 16 | V33042610 | 1 | COVER ASSEMBLY | |
| 17 | V33051700 | 1 | COVER . | |
| 18 | V33045910 | 1 | BOTTOM . | |
| 19 | VHN6646 | 4 | SCREW | B 4.8 X 13 SFS-ISO_7049 |
| 20 | VJC9001 | 4 | NUT | B 4.8 SFS:EN_ISO_1478 |
| 21 | V32604400 | 3 | CUP | M6 |
| 22 | VHA6313 | 3 | SCREW | M6 X 16 ISO 8.8 |
| 23 | V32667000 | 3 | RING WASHER | M6 |
| 24 | VJB1106 | 3 | NUT | M6 SFS-EN_ISO_4032 |
| 25 | V33052610 | 1 | GASKET | |
| 26 | VJD0406 | 3 | WASHER | 6.4 X 1.6 SFS-EN_ISO_7089 |
| 27 | VJB8903 | 3 | LOCKNUT | M6 SFS_EN_ISO_7042 |
| 28 | V33389600 | 1 | SENSOR | 6.5 KPA |
| 29 | VGP3919 | 2 | HOSE CLIP | D=26-38 SMS2298 |

6650HI TRACTOR (HITECH SERIES)
SPIMG-008-21-40



| Item | Part Number | Qty | Description Comments |
|------|-------------|-----|------------------------------|
| 1 | V836747524 | 1 | EXHAUST MANIFOLD |
| 2 | V504601000 | 5 | NUT |
| 3 | V546801960 | 3 | STUD BOLT |
| 4 | V529801950 | 5 | HEX CAP SCREW |
| 5 | V836747691 | 1 | INTAKE MANIFOLD |
| 6 | V836747595 | 1 | INTAKE MANIFOLD GASKET S1 |
| 7 | V529801490 | 9 | HEX CAP SCREW |
| 8 | V529801470 | 1 | HEX CAP SCREW |
| 9 | V836755027 | 1 | RETAINING PLATE |
| 23 | V546801510 | 1 | STUD BOLT |
| 24 | V504800800 | 1 | NUT |
| 30 | V836114846 | 1 | SPACER J6786-(M) |
| 31 | V836664162 | 1 | BRACKET J6786-(M) |
| 32 | V529801550 | 1 | HEX CAP SCREW J6786-(M) |
| 33 | V836659276 | 1 | SUPPORT J6786-(M) |

Thank you so much for reading.
Please click the “Buy Now!”
button below to download the
complete manual.



After you pay.

You can download the most
perfect and complete manual in
the world immediately.

Our support email:

ebooklibonline@outlook.com