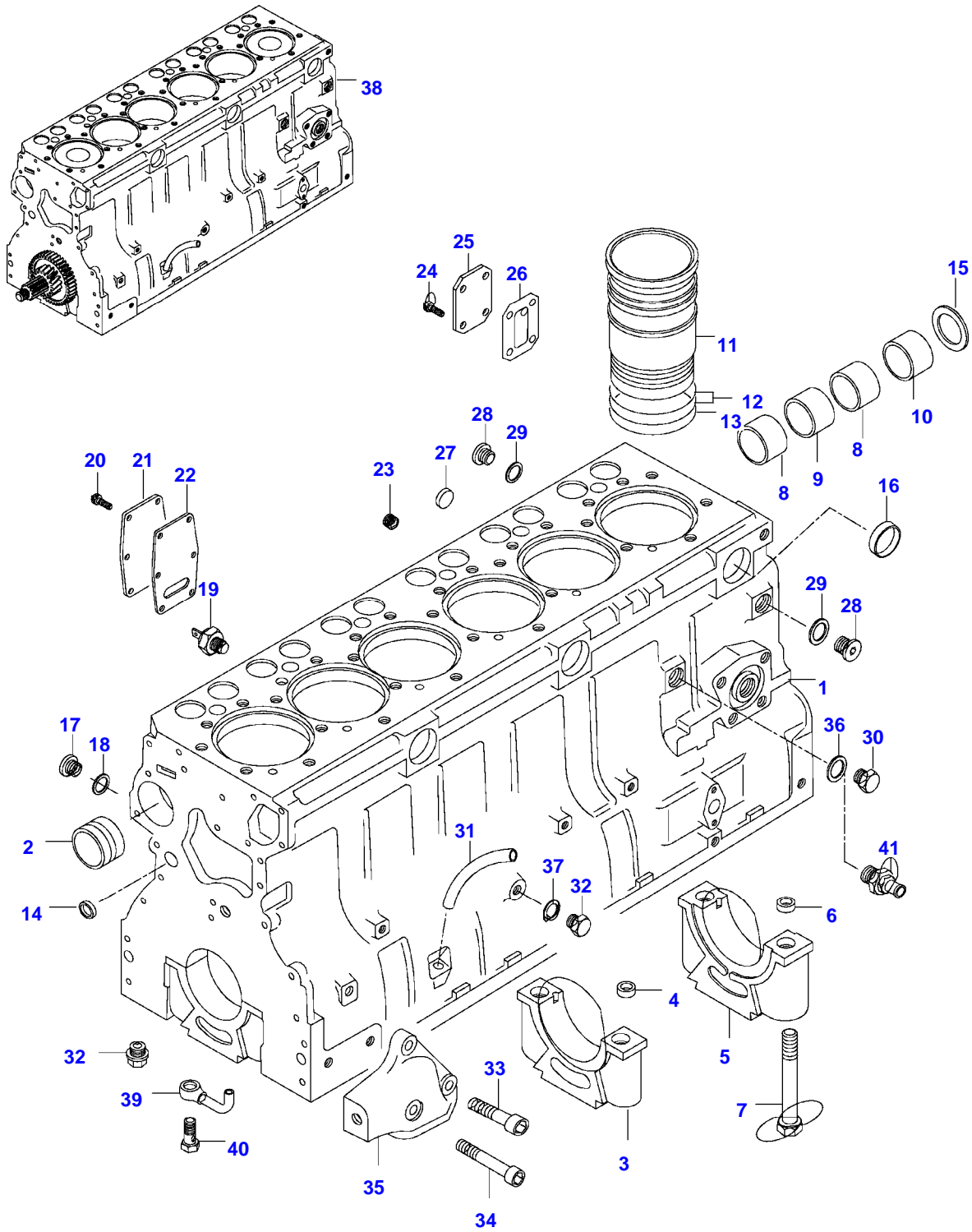


<b>Page Number</b>	<b>Page Title</b>	<b>Page Reference</b>
01-000-TOC	ENGINE, FUEL AND EXHAUST SYSTEM	01-000-TOC
02-000-TOC	AXLES	02-000-TOC
03-000-TOC	STEERING SYSTEM	03-000-TOC
04-000-TOC	DRIVE TRAIN SYSTEM	04-000-TOC
05-000-TOC	BRAKE SYSTEM	05-000-TOC
06-000-TOC	COMPRESSED AIR SYSTEM	06-000-TOC
07-000-TOC	HYDRAULIC SYSTEM	07-000-TOC
08-000-TOC	ELECTRICAL SYSTEM	08-000-TOC
09-000-TOC	CAB	09-000-TOC
10-000-TOC	AIR CONDITIONING AND HEATING SYSTEM	10-000-TOC
11-000-TOC	CHASSIS	11-000-TOC
12-000-TOC	DECALS	12-000-TOC
13-000-TOC	WHEELS	13-000-TOC
14-000-TOC	IMPLEMENT DRIVE SYSTEM	14-000-TOC
15-000-TOC	IMPLEMENT LIFT SYSTEM FRONT	15-000-TOC
16-000-TOC	IMPLEMENT LIFT SYSTEM REAR	16-000-TOC
17-000-TOC	PRECISION FARMING SYSTEMS	17-000-TOC
18-000-TOC	ATTACHMENTS	18-000-TOC
19-000-TOC	GENERAL INFORMATION	19-000-TOC

Page Number	Page Title	Page Reference
01-0001	CYLINDERBLOCK	21-04
01-0002	FLYWHEEL AND HOUSING	21-06
01-0003	CYLINDER HEAD	21-10
01-0004	VALVE MECHANISM	21-14
01-0005	CRANK MECHANISM	21-18
01-0006	GEAR HOUSING	21-20
01-0007	OIL FILTER	21-26
01-0008	OIL SUMP	21-32
01-0009	AIR CLEANER	21-38
01-0010	INTAKE- AND EXHAUST PIPE -N12128(M)	21-42
01-0011	INTAKE- AND EXHAUST PIPE N12129- (M)	21-42A
01-0012	PILLAR EXHAUST PIPE	21-48
01-0013	TURBOCHARGER	21-54
01-0014	COLD-STARTING DEVICE	21-58
01-0015	FUEL FILTER -N12128(M)	22-06
01-0016	FUEL FILTER N12129-(M)	22-06A
01-0017	PREFILTER, FUEL	22-10
01-0018	FUEL PIPES	22-12
01-0019	INJECTION PUMP -N12128(M)	22-16
01-0020	INJECTION PUMP N12129-(M)	22-16B
01-0021	SPEED LEVERS -N28100	22-22
01-0022	SPEED LEVERS N28101-	22-24
01-0023	RADIATOR	23-02
01-0024	COOLANT PUMP	23-08
01-0025	STARTERMOTOR -P06276	31-02
01-0026	STARTERMOTOR P06277-	31-02A
01-0027	ALTERNATOR	31-04
01-0028	ALTERNATOR -N12128(M)	31-06
01-0029	ALTERNATOR N12129-(M)	31-10
01-0030	ELECTRICAL EQUIPMENT ENGINE, EEM PARTS N12129-(M)	33-24
01-0031	GASKET SETS	28-04
01-0032	GASKET SETS	28-08
01-0033	ENGINE REPAIR KIT AND BEARING	28-12
01-0034	ADJUSTING PLATE FOR INJECTOR	28-14
01-0035	SHIELD COVER AIR CLEANER (OPTIONAL EQUIPMENT)	29-18
01-0036	MUFFLER (OPTIONAL EQUIPMENT)	29-22
01-0037	CATALYZER (OPTIONAL EQUIPMENT) PILLAR EXHAUST PIPE	29-24
01-0038	ENGINE HEATER (OPTIONAL EQUIPMENT)	39-06

8050HI TRACTOR (HITECH SERIES)  
SPIMG-008-21-04



Item	Part Number	Qty	Description Comments
1	V836866110	1	CYLINDER BLOCK
2	V836866069	1	CAMSHAFT BEARING BUSHING
3	NS	6	NON-SERVICEABLE PART
4	V836214478	12	BEARING COVER GUIDE SLEEVE
5	NS	1	NON-SERVICEABLE PART
6	V836214478	2	BEARING COVER GUIDE SLEEVE
7	V835329030	14	HEX CAP SCREW
8	V836852460	2	CAMSHAFT BEARING BUSHING
9	V836852459	1	CAMSHAFT BEARING BUSHING
10	V836852461	1	CAMSHAFT BEARING BUSHING
11	V836666990	6	LINER
12	V836647502	12	CYLINDER LINER O-RING S2
13	V836647503	6	CYLINDER LINER O-RING S2
14	V640016016	4	CUP PLUG S2
15	V836852744	1	PLUG
16	V640016040	2	CUP PLUG
17	V640325110	3	SCREW PLUG
18	V615571014	3	SEALING WASHER S2
19	V887283760	1	PRESSURE SWITCH
20	V528801380	6	HEX CAP SCREW
21	V836847994	1	FLANGE
22	V836322852	1	GASKET S2
23	V640025010	1	PLUG
24	V528801362	4	HEX CAP SCREW N12129- (M)
25	V836866957	1	COVER N12129- (M)
26	V836866958	1	GASKET S2 N12129- (M)
27	V640016018	2	CUP PLUG
28	V640325018	2	PLUG
29	V615881822	2	SEALING WASHER S2
30	V836019756	1	PLUG
31	V836129747	1	OIL DIPSTICK GUIDE PIPE
32	V640305012	7	PLUG
33	V581705850	4	HEX SOCKET SCREW
34	V581705890	2	HEX SOCKET SCREW
35	V836346012	1	ENGINE MOUNT LEFT
	V836346013	1	ENGINE MOUNT RIGHT
36	V615881824	1	SEALING WASHER S2
37	V615881216	1	SEALING WASHER S2
38	V832760001	1	SHORT BLOCK ENGINE
41	V836664377	1	DRAIN VALVE

---

Valtra

8050HI TRACTOR (HITECH SERIES)

VFH8050

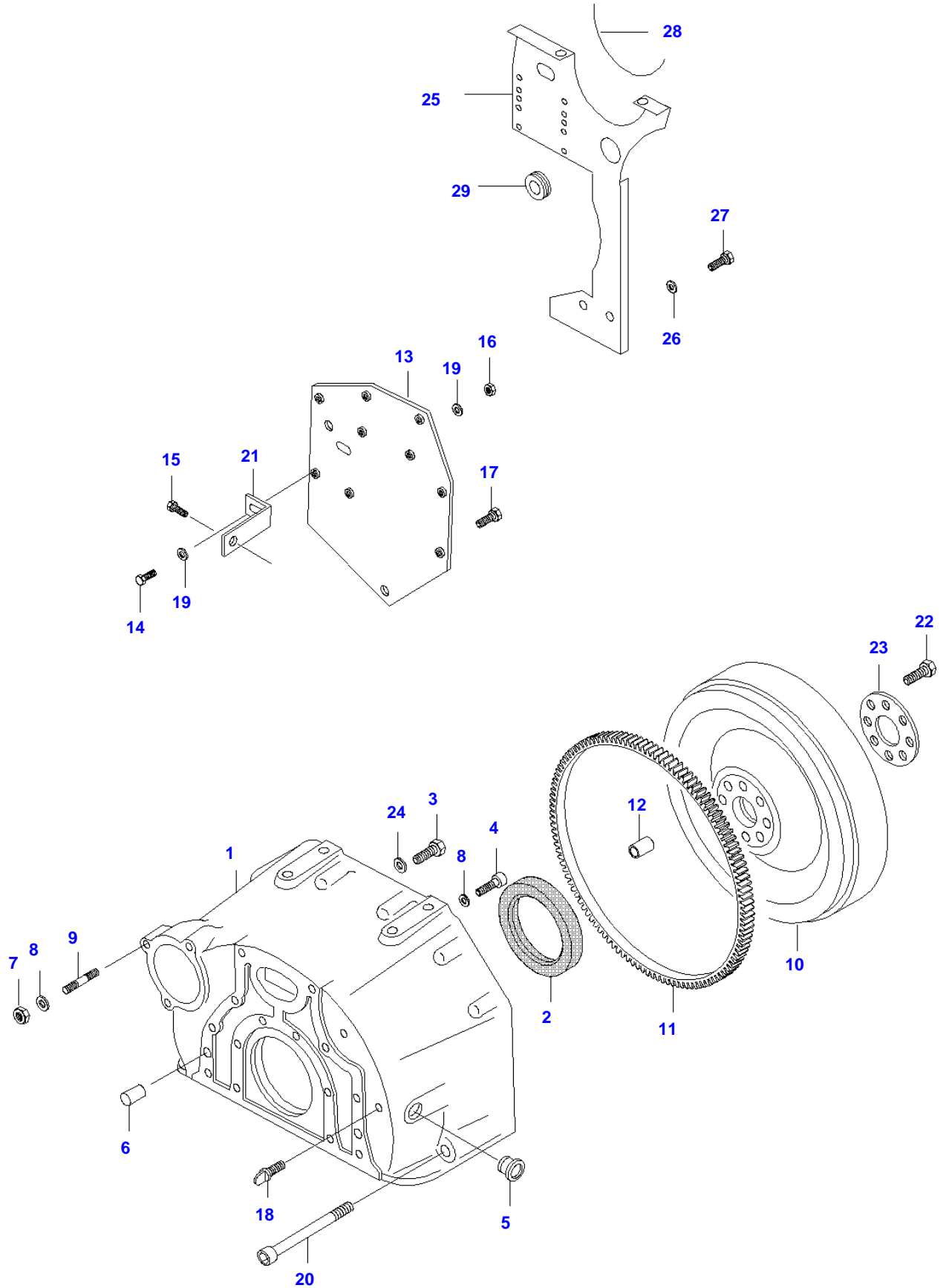
CYLINDERBLOCK

Page01-0001

---

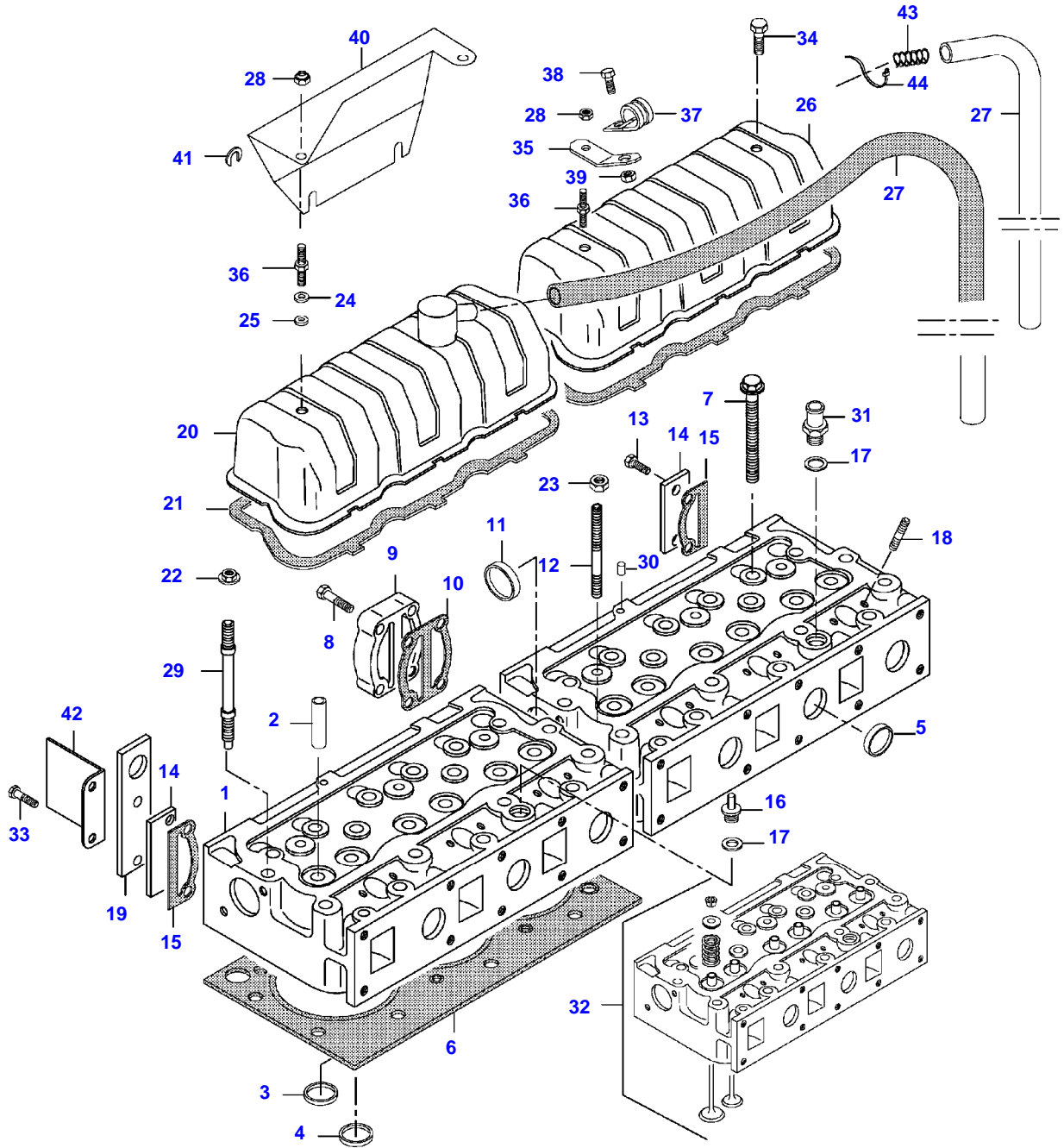
Item	Part Number	Qty	Description Comments
	V836840237	1	ENGINE GASKET KIT S1
	V836840238	1	ENGINE GASKET KIT S1+S2

8050HI TRACTOR (HITECH SERIES)  
SPIMG-008-21-06



Item	Part Number	Qty	Description Comments	Technical Specification
1	V836647439	1	FLYWHEEL HOUSING	
2	V614500002	1	CRANKSHAFT SEAL S2	
3	V529702220	8	HEX CAP SCREW	
4	V581705030	6	HEX SOCKET SCREW	
5	V836007572	1	RUBBER PLUG	
6	V598359850	2	PIN	
7	V504601000	3	NUT	
8	V500951000	9	SPRING WASHER	
9	V546801800	3	STUD BOLT	
10	V836659990	1	FLYWHEEL SASCH	
	V836659502	1	FLYWHEEL VOITH -666065	
	V836759820	1	FLYWHEEL VOITH 666066-	
11	V835328783	1	STARTER RING	
12	V836659527	1	GUIDE SLEEVE	
13	V836759798	1	BRACKET	
14	V528801362	1	HEX CAP SCREW	
15	V528801760	1	HEX CAP SCREW	
16	V504800800	1	NUT	
17	V528802180	1	HEX CAP SCREW	
18	V836859311	1	PLUG	
19	V500150842	2	WASHER	
20	VHC8519	2	HEX SOCKET SCREW	M12 X 140 DIN912 8.8
21	V836755361	1	SUPPORT	
22	V529702250	8	HEX CAP SCREW	
23	V836355864	1	RING	
24	V500951200	8	SPRING WASHER	
25	V34172400	1	HOLDER	
26	VJD0408	2	WASHER	M8
27	VHA6322	2	SCREW	M8 X 16 SFS_EN_ISO_4017 8.8
28	V32604200	1	BAND	
29	ACV0799330	1	GROMMET	

8050HI TRACTOR (HITECH SERIES)  
SPIMG-008-21-10

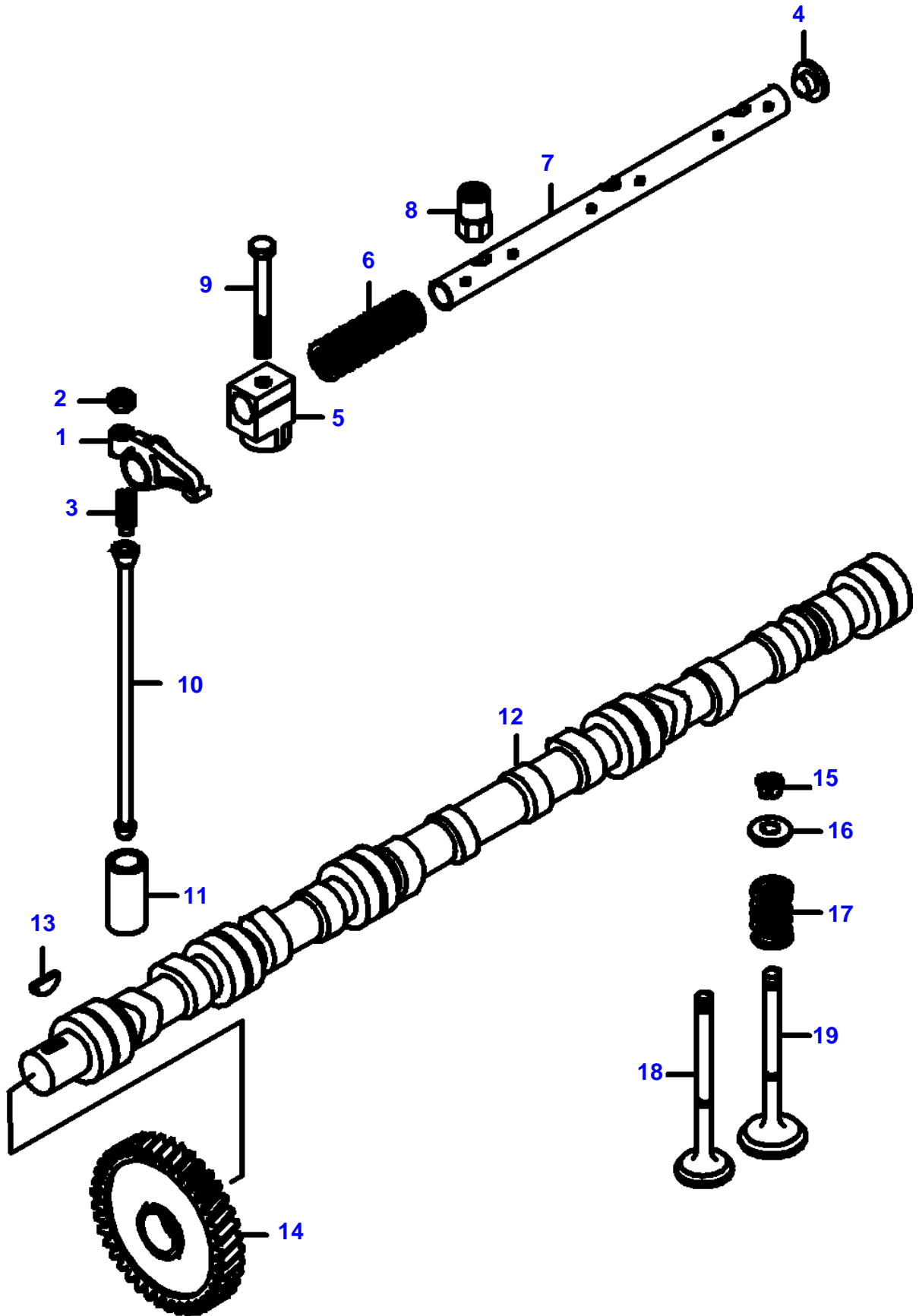




Item	Part Number	Qty	Description Comments
1	V836655379	2	CYLINDER HEAD
2	V836647601	12	GUIDE
3	V836647600	6	VALVE SEAT
5	V836647942	10	EXHAUST CUP PLUG
6	V836666302	2	CYLINDER HEAD GASKET S1
7	V836859104	32	HEXAGON FLANGE BOLT
8	V529801830	4	HEX CAP SCREW M10
9	V836855348	1	CONNECTION FLANGE
10	V836866214	1	GASKET S1
11	V640016045	1	CUP PLUG
12	V546801900	4	STUD BOLT
13	V528801800	2	HEX CAP SCREW M10
14	V836855350	2	BLOCK OFF PLATE
15	V836866215	2	GASKET S1
16	V836659058	1	CONNECTOR
17	V615881822	2	SEALING WASHER S1
18	V546901435	12	STUD BOLT
19	V836855349	2	LIFT EYE
20	V836646359	1	VALVE ROCKER COVER WITHOUT BREATHER -N12128(M)
	V836846448	1	VALVE ROCKER COVER N12129-(M)
21	V836646360	2	VALVE ROCKER COVER GASKET S1
22	V836859110	2	NUT
23	V836655406	4	SLEEVE NUT
24	V836119855	4	WASHER
25	V836012841	4	RUBBER BUSHING S1
26	V836846448	1	VALVE ROCKER COVER -N12128(M)
	V836646359	1	VALVE ROCKER COVER WITHOUT BREATHER N12129-(M)
27	V836859875	1	RUBBER HOSE L=1250 -N12128(M)
	V836647814	1	RUBBER HOSE N12129-(M)
28	V510601002	4	NUT
29	V836859109	2	STUD BOLT
30	V595959140	2	PIN
31	V836119837	1	HOSE COUPLER
32	V836640853	2	CYLINDER HEAD
33	V528801820	2	HEX CAP SCREW
34	V528801780	2	HEX CAP SCREW
35	V836652567	1	SUPPORT
36	V836659175	3	STUD BOLT
37	V602075528	1	RETAINER CLAMP
38	V528801362	1	HEX CAP SCREW
39	V504800800	1	NUT
40	V836859843	1	HEAT SHIELD -N12128(M)
	V836866843	1	HEAT SHIELD N12129-(M)

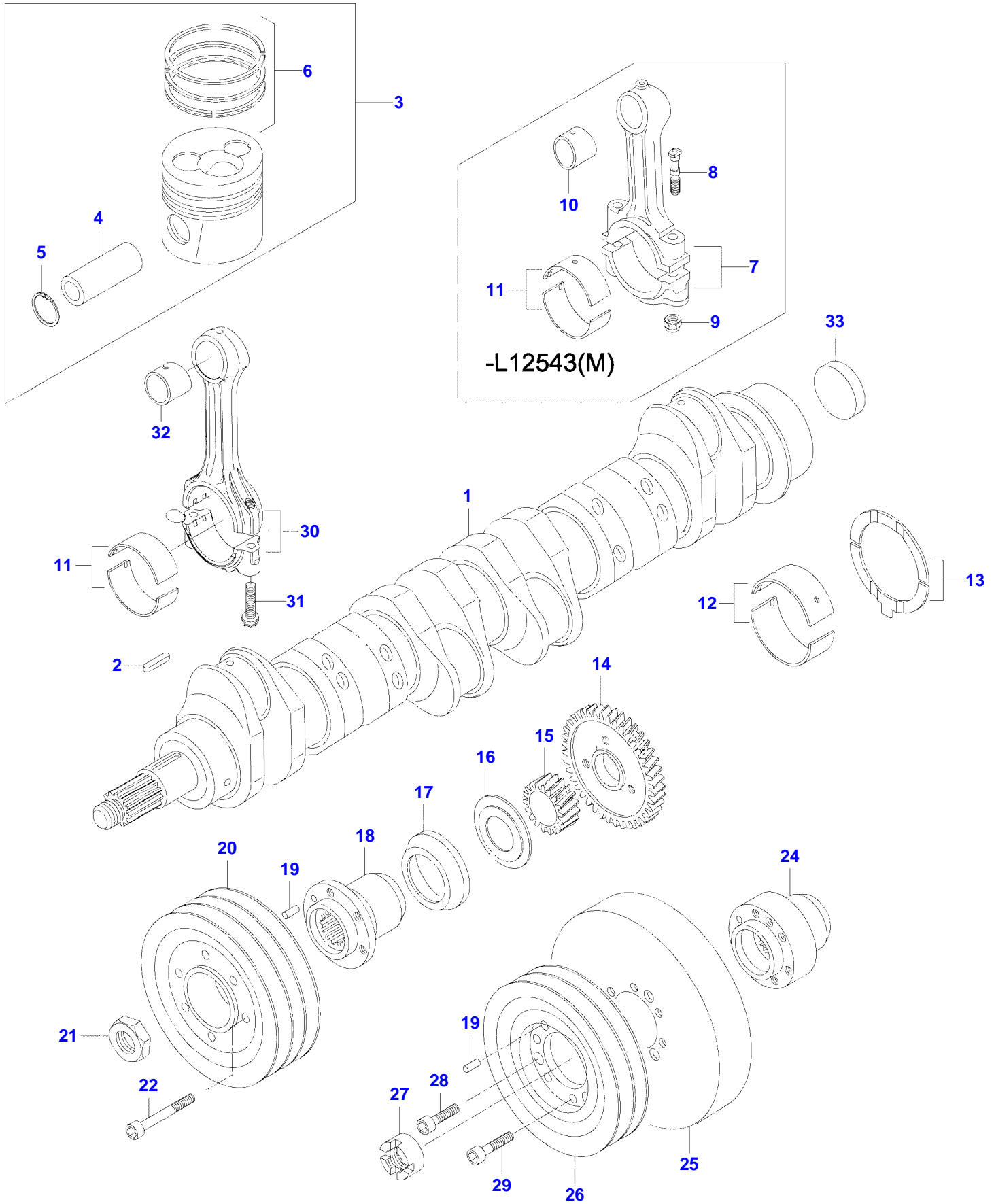
<b>Item</b>	<b>Part Number</b>	<b>Qty</b>	<b>Description Comments</b>
41	V836864223	2	LOCK RING
42	V836666199	1	HEAT SHIELD
43	V836659103	1	SPRING N12129-(M)
44	V835329746	1	CABLE TIE N12129-(M)

8050HI TRACTOR (HITECH SERIES)  
SPIMG-008-21-14



Item	Part Number	Qty	Description Comments
	V836666610	2	ROCKER SHAFT ASM
1	V836666608	12	ROCKER ARM
			.
2	V512861000	12	NUT
			..
			M10
4	V836655899	4	PLUG
			.
3	V836655866	12	ADJUSTING SCREW
			..
5	V836655869	6	BRACKET
			.
6	V836655884	4	SPRING
			.
7	V836655870	2	SHAFT
			.
			D=23
8	V836655406	4	SLEEVE NUT
9	V529801910	2	HEX CAP SCREW
10	V836655867	12	PUSHROD
11	V836014264	12	TAPPET
12	V836846376	1	CAMSHAFT -L13187 (M)
	V836866054	1	CAMSHAFT L13188-(M)
13	V603305760	1	WOODRUFF KEY
14	V836646389	1	GEAR,CAMSHAFT
15	V836646382	24	COTTER
16	V836646381	12	WASHER
17	V836646380	12	SPRING
18	V836646357	6	EXHAUST VALVE
19	V836646356	6	INTAKE VALVE

8050HI TRACTOR (HITECH SERIES)  
SPIMG-008-21-18



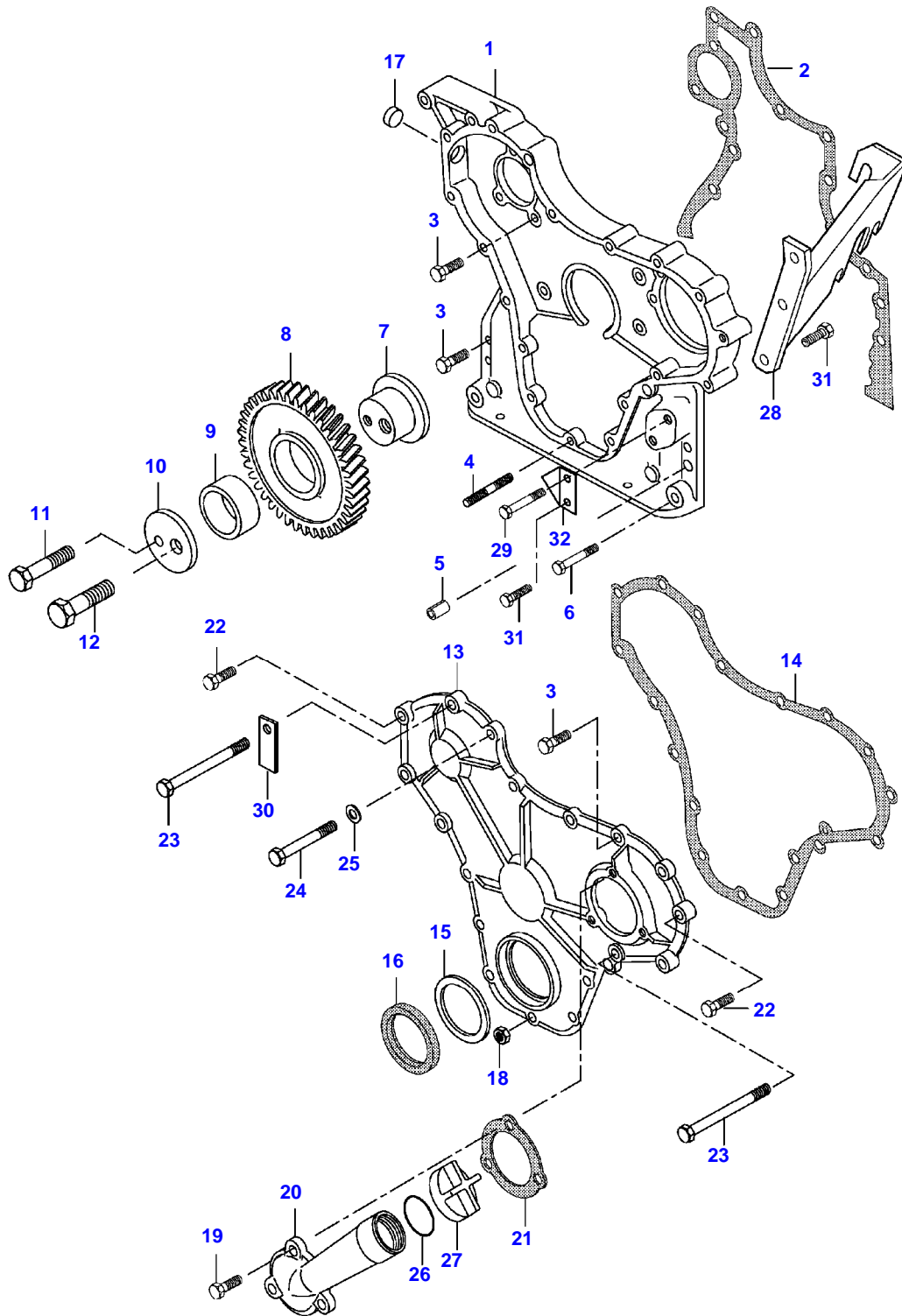
Item	Part Number	Qty	Description Comments	Technical Specification
1	V836847352	1	CRANKSHAFT -N12128(M)	
	V836866474	1	CRANKSHAFT N12129-(M)	
2	V603345110	1	KEY	
3	V836659702	6	PISTON	
4	NS	6	NON-SERVICEABLE PART	
			PISTON PIN	
5	NS	12	NON-SERVICEABLE PART	
			CIRCLIP	
6	V836640126	6	PISTON RING KIT	
7	V836647460	6	CONROD 2150-2169 G X -L12543 (M)	
	V836652104		CONROD 2170-2189 G A -L12543 (M)	
	V836652105		CONROD 2190-2209 G B -L12543 (M)	
	V836652106		CONROD 2210-2229 G C -L12543 (M)	
	V836652107		CONROD 2230-2249 G D -L12543 (M)	
	V836652108		CONROD 2250-2269 G E -L12543 (M)	
	V836652109		CONROD 2270-2289 G H -L12543 (M)	
	V836652110		CONROD 2290-2309 G I -L12543 (M)	
	V836652111		CONROD 2310-2329 G J -L12543 (M)	
	V836652112		CONROD 2330-2349 G K -L12543 (M)	
	V836652113		CONROD 2350-2369 G L -L12543 (M)	
	V836652114		CONROD 2370-2389 G M -L12543 (M)	
	V836652115		CONROD 2390-2409 G N -L12543 (M)	
	V836652116		CONROD 2410-2429 G O -L12543 (M)	
	V836652117		CONROD 2430-2449 G P -L12543 (M)	
	V836652118		CONROD 2450-2469 G R -L12543 (M)	
	V836652119		CONROD 2470-2489 G S -L12543 (M)	

Item	Part Number	Qty	Description Comments	Technical Specification
	V836652120		CONROD 2490-2509 G T -L12543 (M)	
	V836652121		CONROD 2510-2529 G U -L12543 (M)	
	V836840928	1	CONNECTING ROD KIT INCLUDES: REF. 30-32 L12544-(M)	
30	NS		NON-SERVICEABLE PART CONNECTING ROD 1935-1954 G F L12544-(M)	
	NS		NON-SERVICEABLE PART CONNECTING ROD 1955-1974 G V L12544-(M)	
	NS		NON-SERVICEABLE PART CONNECTING ROD 1975-1994 G X L12544-(M)	
	NS		NON-SERVICEABLE PART CONNECTING ROD 1995-2014 G Y L12544-(M)	
	NS		NON-SERVICEABLE PART CONNECTING ROD 2015-2034 G W L12544-(M)	
	NS		NON-SERVICEABLE PART CONNECTING ROD 2035-2054 G Z L12544-(M)	
	NS		NON-SERVICEABLE PART CONNECTING ROD 2055-2074 G G L12544-(M)	
8	V836646204	12	CONNECTING ROD BOLT . -L12543(M)	
31	V836864141	8	CONNECTING ROD BOLT . L12544-(M)	
9	V836646205	12	NUT . -L12543(M)	
10	V836646271	6	BEARING BUSH . -L12543(M)	
32	V836110646	4	BEARING BUSH . L12544-(M)	STD
11	V836110552	6	BEARING SHELL SEE PAGE 01-0033	
12	V836655514	7	MAIN BEARING SEE PAGE 01-0033	
13	V836119459	2	THRUST WASHER SEE PAGE 01-0033	
14	V836119550	1	GEAR,CRANKSHAFT	
15	V836122840	1	GEAR,CRANKSHAFT	
16	V836129781	1	RING	
17	V836136271	1	SHIELD	
18	V836846463	1	CRANKSHAFT HUB	
19	V595953360	1	PIN	

Item	Part Number	Qty	Description Comments	Technical Specification
20	V836864290	1	CRANKSHAFT V-BELT PULLEY DUAL GROOVE -N12128(M)	
	V836866625	1	PULLEY N12129-(M)	
21	V836647310	1	CRANKSHAFT NUT	
22	V581804680	6	HEX SOCKET SCREW -N12128(M)	
	V581804670	6	HEX SOCKET SCREW N12129-(M)	
33	V836852082	1	PLUG	

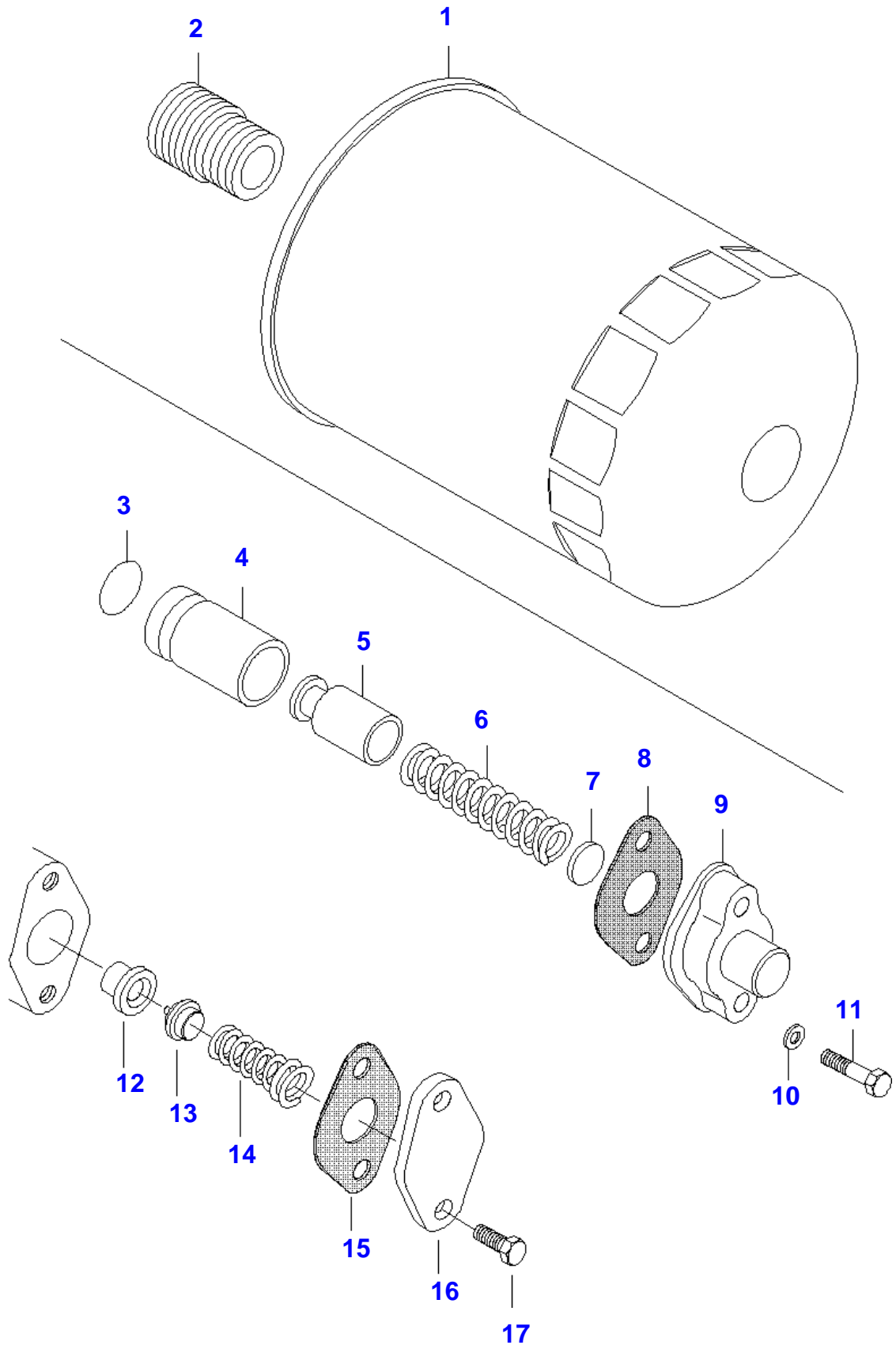


8050HI TRACTOR (HITECH SERIES)  
SPIMG-008-21-20



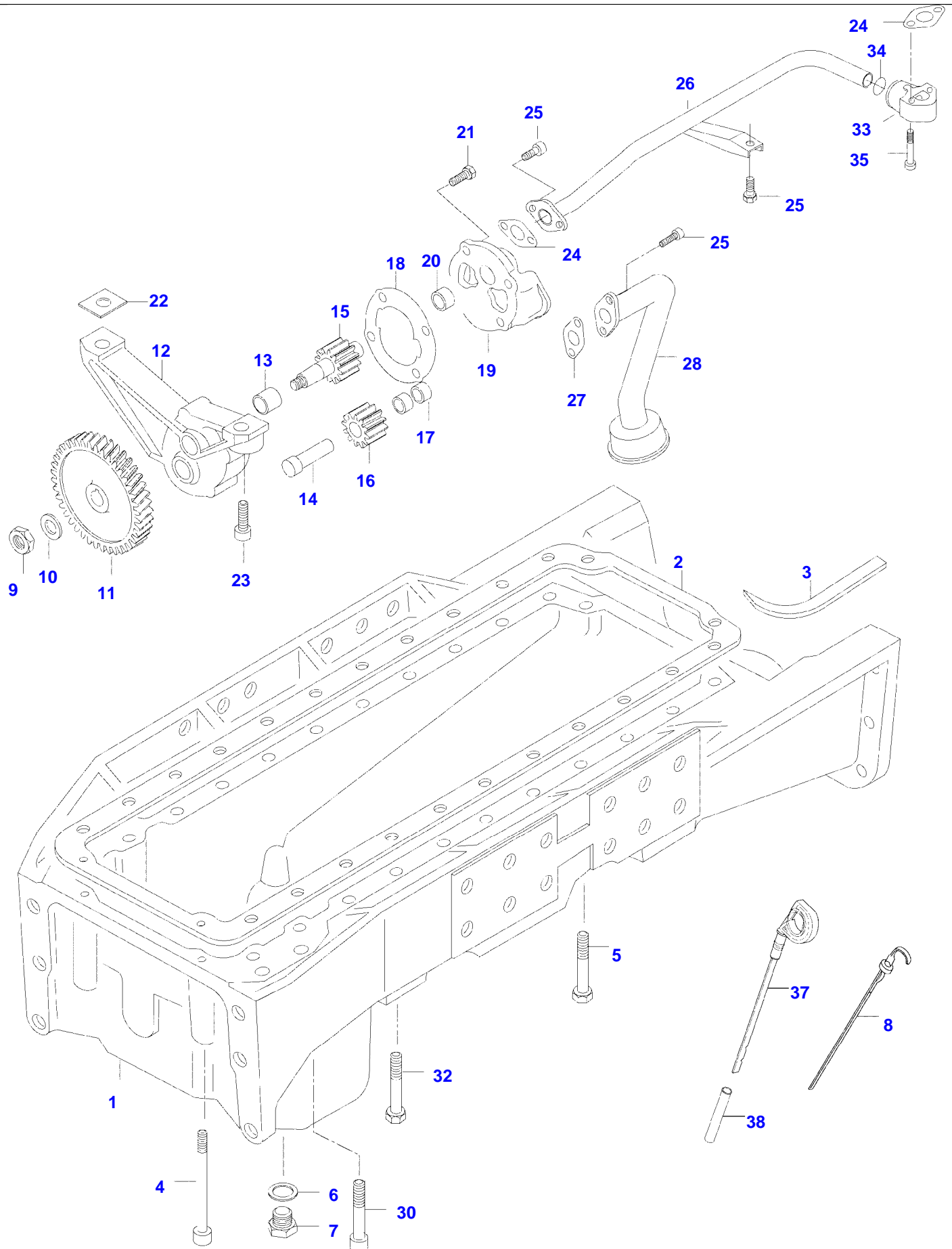
Item	Part Number	Qty	Description Comments
1	V836647865	1	TIMING GEAR CASE -N12128(M)
	V836666400	1	TIMING GEAR CASE N12129-(M)
2	V836647419	1	GASKET S2
3	V528801400	11	HEX CAP SCREW
4	V546801380	4	STUD BOLT
5	V598359850	4	PIN
6	V529801440	2	HEX CAP SCREW
7	V836129709	1	SHAFT
8	V836129863	1	IDLER GEAR
9	V836129844	1	BEARING BUSH
10	V836129845	1	FLANGE
11	V528801860	1	HEX CAP SCREW
12	V529902680	1	HEX CAP SCREW
13	V836647572	1	GEAR HOUSING FRONT COVER
14	V836129942	1	GASKET S2
15	V836129782	1	COVER
16	V614105880	1	OIL SEAL S2
17	V640016016	1	CUP PLUG
18	V504800800	5	NUT
19	V528801380	3	HEX CAP SCREW
20	V836746921	1	PIPE
21	V836129946	1	GASKET S2
22	V528801420	4	HEX CAP SCREW
23	V529801500	2	HEX CAP SCREW
24	V529801470	3	HEX CAP SCREW
25	V836120989	1	WASHER
26	V614604740	1	O-RING S2
27	V836338733	1	OIL FILLER CAP
28	V836659804	1	THROTTLE SENSOR BRACKET -K14726(M)
	V836664528	1	THROTTLE SENSOR BRACKET K14727-(M)
29	V529801450	1	HEX CAP SCREW
30	V836083428	1	CABLE TIE
31	V528801362	3	HEX CAP SCREW
32	V836652318	1	TIMING MARK INDICATOR N12129-(M)

8050HI TRACTOR (HITECH SERIES)  
SPIMG-008-21-26



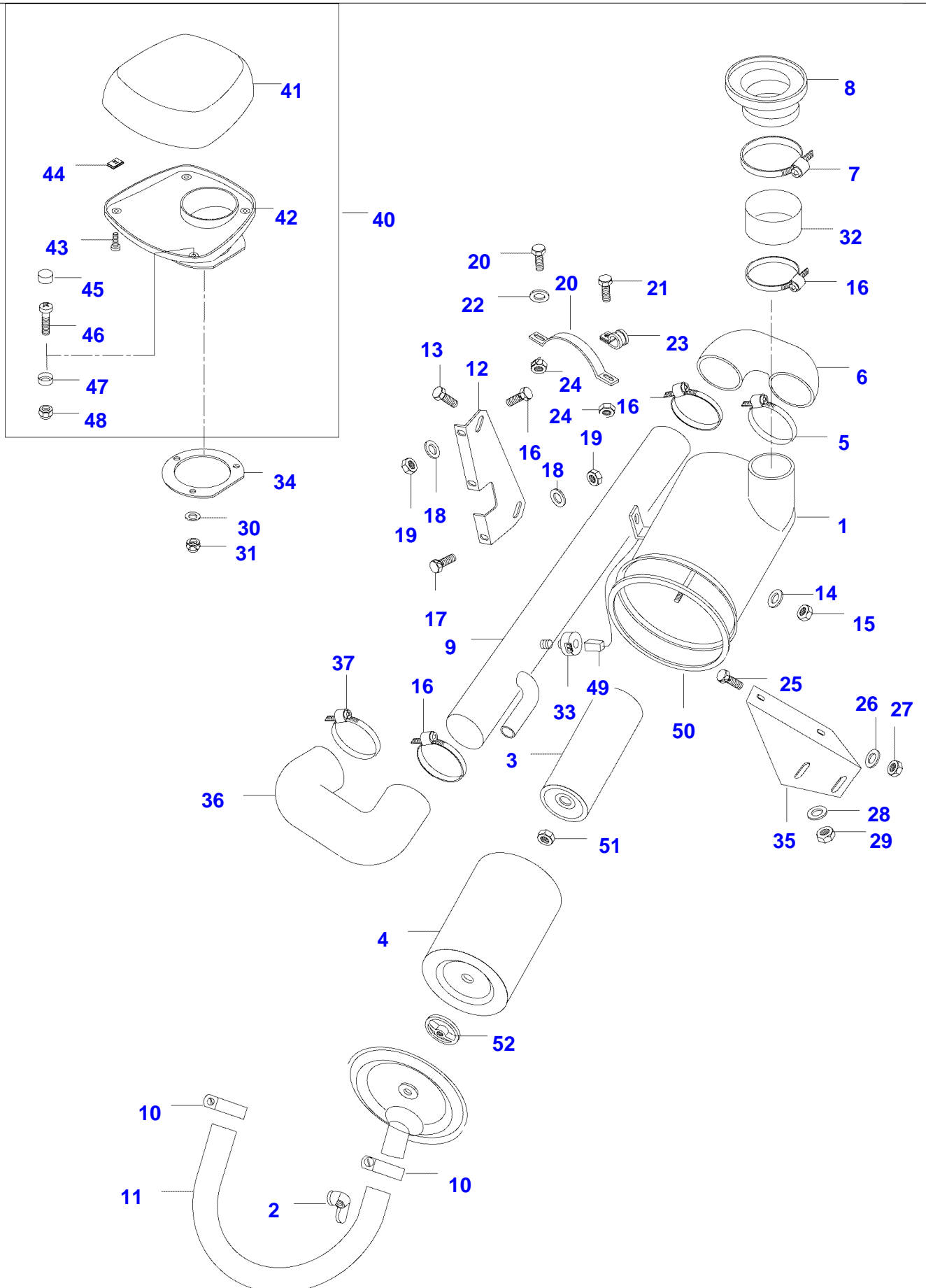
Item	Part Number	Qty	Description Comments
1	V836662580	1	ENGINE OIL FILTER
2	V836647404	1	UNION
	V835340042		OIL PRESSURE CONTROL VALVE -J7893(M)
3	V614601524	1	O-RING
			.
			S2
4	V836117834	1	CYLINDER
			.
5	V836338850	1	OIL PRESSURE CONTROL VALVE
			.
6	V836117836	1	SPRING
			.
7	V836020290	1	INJECTOR SHIM
			.
8	V836322190	1	GASKET
			.
			S2
9	V836129849	1	COVER
10	V500950800	1	SPRING WASHER
11	V528801420	2	HEX CAP SCREW
	V836662129	1	OIL PRESSURE CONTROL VALVE J7894-(M)
12	V836659521	1	VALVE SEAT
			.
13	V836659522	1	VALVE CONE
			.
14	V836659523	1	SPRING
			.
15	V836322190	1	GASKET
			.
			S2
16	V836659524	1	COVER
			.
17	V528801380	2	HEX CAP SCREW
			.
			M8 X 20

8050HI TRACTOR (HITECH SERIES)  
SPIMG-008-21-32



Item	Part Number	Qty	Description Comments
1	V836847762	1	OIL SUMP
2	V836322183	1	OIL SUMP GASKET S2
	VUK0177	1	GASKET SEALPASTE
3	V836129727	2	GASKET S2
4	V581704830	2	HEX SOCKET SCREW M8X160
5	V581705130	20	HEX SOCKET SCREW M10X80
6	V615881827	1	SEALING WASHER S2
7	V836655493	1	PLUG M18
8	V836847652	1	DIPSTICK -XX
37	V836666908	1	DIPSTICK ORANGE XX-
38	V836666910	1	OIL DIPSTICK GUIDE PIPE XX-
	V836855300	1	LUBRICATING OIL PUMP
9	V504861000	1	NUT
10	V836122910	1	WASHER
11	V836338667	1	GEAR
12	V836338186	1	FRAME
13	V836322909	1	BUSHING
14	V836322906	1	OIL PUMP SHAFT
15	V836338182	1	OIL PUMP SHAFT
16	V836338180	1	GEAR,OIL PUMP
17	V836322909	2	BUSHING
18	V836338188	1	GASKET S2
19	V836855297	1	COVER
20	V836322909	1	BUSHING
21	V528801380	4	HEX CAP SCREW
22	V836007871	2	SHIM
23	V581805050	2	HEX SOCKET SCREW
24	V836008449	2	GASKET S2
25	V581804600	8	HEX SOCKET SCREW
26	V836866569	1	OIL PIPE
27	V836338201	1	GASKET S2
28	V836859673	1	OIL PUMP SUCTION PIPE
30	V581706350	4	HEX SOCKET SCREW M16X90
32	V529902020	4	HEX CAP SCREW M10X170
33	V836866563	1	ADAPTER FLANGE
34	V614702230	1	O-RING
35	V581804680	2	HEX SOCKET SCREW

8050HI TRACTOR (HITECH SERIES)  
SPIMG-008-21-38



Item	Part Number	Qty	Description Comments	Technical Specification
	V33094100	1	AIR FILTER -K35445	
	V33094110	1	AIR FILTER K35446-	D=300
1	NS		NON-SERVICEABLE PART	
			HOUSING	
50	V33572300	1	GASKET	L=960
			LOCKNUT	
51	VJB8905	1	LOCKNUT	M10 SFS_EN_ISO_10511
			NUT	
52	V35315600	1	NUT	
			BLADE NUT	
2	VJC1610	1	BLADE NUT	M10 DIN315 G5 ZNE
			SECONDARY AIR FILTER ELEMENT	
3	V836862574	1	SECONDARY AIR FILTER ELEMENT	
			PRIMARY AIR FILTER ELEMENT	
4	V836862573	1	PRIMARY AIR FILTER ELEMENT	
			HOSE CLIP	
5	VGP3936	1	HOSE CLIP	D=138 SMS2298
			CURVED RUBBER	
6	V32940200	1	CURVED RUBBER	
			HOSE CLIP	
7	VGP3936	1	HOSE CLIP	D=138 SMS2298
			SEALING RUBBER	
8	V33046000	1	SEALING RUBBER	
			TUBE	
9	V32940300	1	TUBE	L=1040
			HOSE CLIP	
10	VGP3919	2	HOSE CLIP	D=26-38 SMS2298
			HOSE	
11	V33652100	1	HOSE	L=1400
			WITH PILLAR EXHAUST PIPE	
			HOSE	
	V33067800	1	HOSE	L=650
			WITHOUT PILLAR EXHAUST PIPE	
			OPTIONAL	
			CARRIER	
12	V32982400	1	CARRIER	
			SCREW	
13	VHA6323	1	SCREW	M8 X 20 CL8.8
			WASHER	
14	VJD0408	1	WASHER	M8
			NUT	
15	VJB8904	1	NUT	M8
			HOSE CLIP	
16	VGP3935	2	HOSE CLIP	D=112 SMS2298
			SCREW	
17	VHA9235	1	SCREW	M10 X 20 SFS_EN_ISO_4017 8.8
			WASHER	
18	VJD0410	1	WASHER	10.5 X 2 SFS-EN_ISO_7089
			LOCKNUT	
19	VJB8905	1	LOCKNUT	M10 SFS_EN_ISO_10511
			BAIL	
20	V32968100	1	BAIL	
			SCREW	
21	VHA6323	2	SCREW	M8 X 20 CL8.8
			WASHER	
22	VJD0408	1	WASHER	M8
			PIPE SUPPORT	
23	V30555800	1	PIPE SUPPORT	D=23.8 DIN 3016
			NUT	
24	VJB8904	2	NUT	M8
			SCREW	
25	VHA6323	2	SCREW	M8 X 20 CL8.8
			WASHER	
26	VJD0408	2	WASHER	M8
			NUT	
27	VJB8904	2	NUT	M8
			WASHER	
28	VJD0410	2	WASHER	10.5 X 2 SFS-EN_ISO_7089
			LOCKNUT	
29	VJB8905	2	LOCKNUT	M10 SFS_EN_ISO_10511
			WASHER	
30	VJD0406	6	WASHER	6.4 X 1.6 SFS-EN_ISO_7089
			LOCKNUT	
31	VJB8903	3	LOCKNUT	M6 SFS_EN_ISO_7042
			TUBE	
32	V33127300	1	TUBE	
			SENSOR	
33	V33389600	1	SENSOR	6.5 KPA
			GASKET	
34	V33052610	1	GASKET	
			CARRIER	
35	V33574800	1	CARRIER	
			CURVED RUBBER	
36	V33346900	1	CURVED RUBBER	
			HOSE CLIP	
37	VGP3934	1	HOSE CLIP	D=85 SMS2298
			COVER	
40	V33042610	1	COVER	
			ASSEMBLY	
			COVER	
41	V33051700	1	COVER	
			BOTTOM	
42	V33045910	1	BOTTOM	
			SCREW	
43	VHN6646	4	SCREW	B 4.8 X 13 SFS-ISO_7049
			NUT	
44	VJC9001	4	NUT	B 4.8 SFS:EN_ISO_1478



<b>Item</b>	<b>Part Number</b>	<b>Qty</b>	<b>Description Comments</b>	<b>Technical Specification</b>
45	V32604400	3	CUP	M6
46	VHD9024	3	SCREW	M6 X 16 SFS_EN_ISO_7045 4.8
47	V32667000	3	RING WASHER	M6
48	VJB1106	3	NUT	M6 SFS-EN_ISO_4032
49	V34384010	1	CONDUIT	
	V35666900	1	-N28100 CONDUIT N28101-	

Thank you so much for reading.  
Please click the “Buy Now!”  
button below to download the  
complete manual.



After you pay.

You can download the most  
perfect and complete manual in  
the world immediately.

Our support email:

[ebooklibonline@outlook.com](mailto:ebooklibonline@outlook.com)