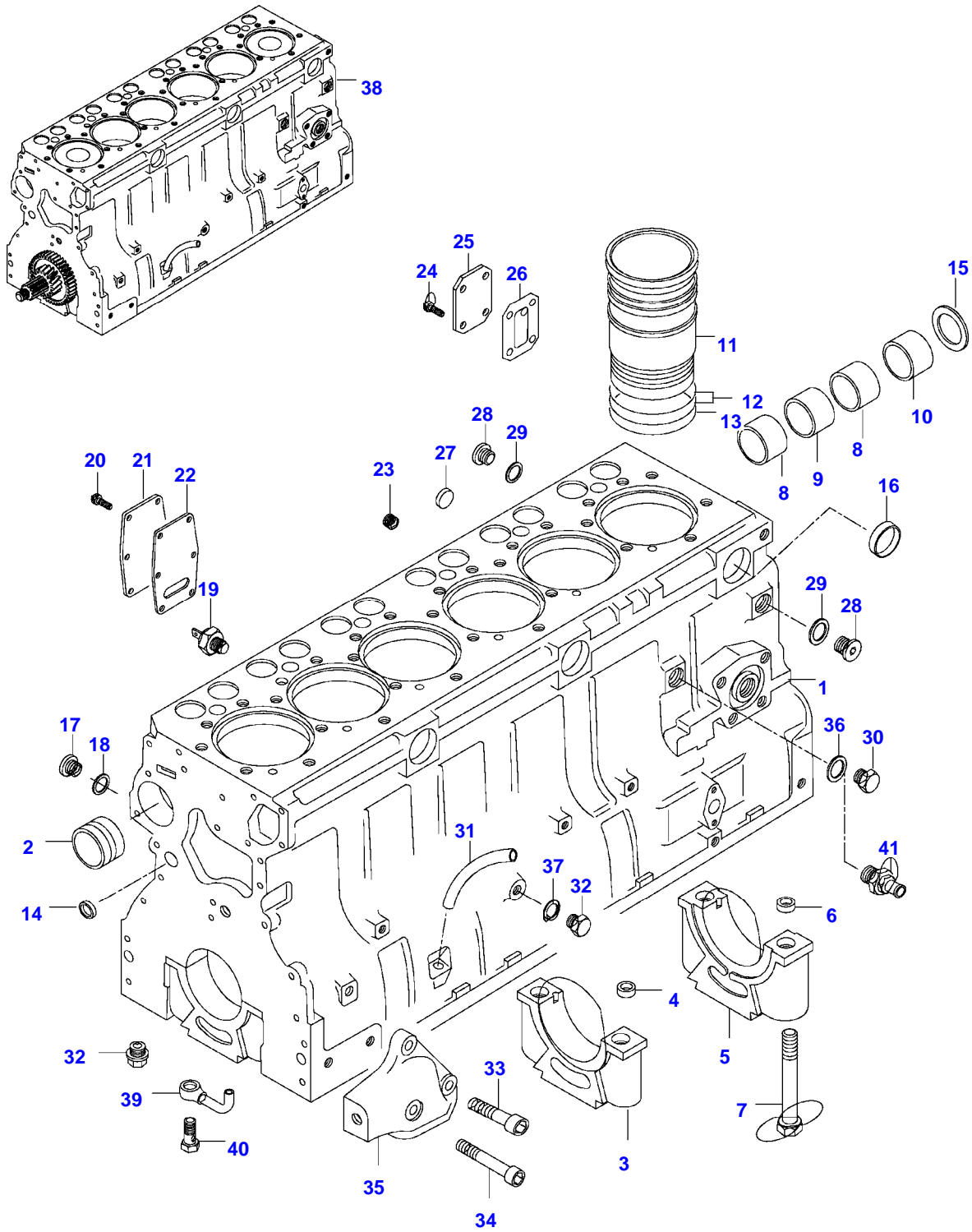


| <b>Page Number</b> | <b>Page Title</b>                   | <b>Page Reference</b> |
|--------------------|-------------------------------------|-----------------------|
| 01-000-TOC         | ENGINE, FUEL AND EXHAUST SYSTEM     | 01-000-TOC            |
| 02-000-TOC         | AXLES                               | 02-000-TOC            |
| 03-000-TOC         | STEERING SYSTEM                     | 03-000-TOC            |
| 04-000-TOC         | DRIVE TRAIN SYSTEM                  | 04-000-TOC            |
| 05-000-TOC         | BRAKE SYSTEM                        | 05-000-TOC            |
| 06-000-TOC         | COMPRESSED AIR SYSTEM               | 06-000-TOC            |
| 07-000-TOC         | HYDRAULIC SYSTEM                    | 07-000-TOC            |
| 08-000-TOC         | ELECTRICAL SYSTEM                   | 08-000-TOC            |
| 09-000-TOC         | CAB                                 | 09-000-TOC            |
| 10-000-TOC         | AIR CONDITIONING AND HEATING SYSTEM | 10-000-TOC            |
| 11-000-TOC         | CHASSIS                             | 11-000-TOC            |
| 12-000-TOC         | DECALS                              | 12-000-TOC            |
| 13-000-TOC         | WHEELS                              | 13-000-TOC            |
| 14-000-TOC         | IMPLEMENT DRIVE SYSTEM              | 14-000-TOC            |
| 15-000-TOC         | IMPLEMENT LIFT SYSTEM FRONT         | 15-000-TOC            |
| 16-000-TOC         | IMPLEMENT LIFT SYSTEM REAR          | 16-000-TOC            |
| 17-000-TOC         | PRECISION FARMING SYSTEMS           | 17-000-TOC            |
| 18-000-TOC         | ATTACHMENTS                         | 18-000-TOC            |
| 19-000-TOC         | GENERAL INFORMATION                 | 19-000-TOC            |

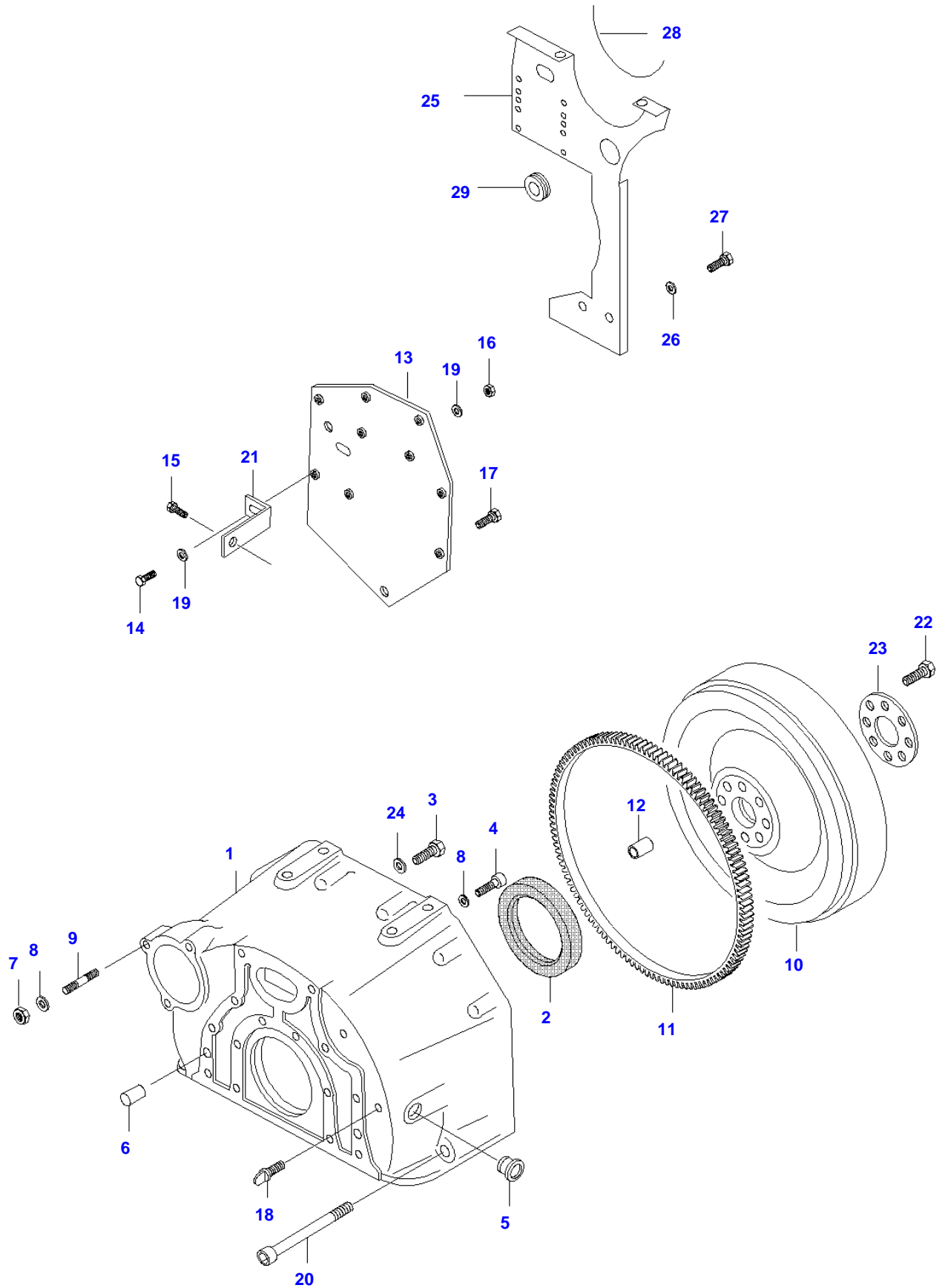
| Page Number | Page Title                                    | Page Reference |
|-------------|---|----------------|
| 01-0001     | CYLINDERBLOCK                                 | 21-04          |
| 01-0002     | FLYWHEEL AND HOUSING                          | 21-06          |
| 01-0003     | CYLINDER HEAD                                 | 21-10          |
| 01-0004     | VALVE MECHANISM                               | 21-14          |
| 01-0005     | CRANK MECHANISM                               | 21-18          |
| 01-0006     | GEAR HOUSING                                  | 21-20          |
| 01-0007     | OIL FILTER                                    | 21-28          |
| 01-0008     | OIL SUMP                                      | 21-32          |
| 01-0009     | OIL SUMP                                      | 21-34          |
|             | LONG WHEEL BASE                               |                |
| 01-0010     | AIR CLEANER                                   | 21-38          |
| 01-0011     | INTAKE- AND EXHAUST PIPE                      | 21-42          |
| 01-0012     | PILLAR EXHAUST PIPE                           | 21-48          |
| 01-0013     | TURBOCHARGER                                  | 21-54          |
| 01-0014     | COLD-STARTING DEVICE                          | 21-58          |
| 01-0015     | FUEL FILTER                                   | 22-06          |
| 01-0016     | PREFILTER, FUEL                               | 22-10          |
| 01-0017     | FUEL PIPES                                    | 22-12          |
| 01-0018     | INJECTION PUMP                                | 22-16          |
| 01-0019     | SPEED LEVERS                                  | 22-22          |
| 01-0020     | RADIATOR                                      | 23-02          |
| 01-0021     | COOLANT PUMP                                  | 23-10          |
| 01-0022     | STARTERMOTOR                                  | 31-02          |
|             | -P06276                                       |                |
| 01-0023     | STARTERMOTOR                                  | 31-02A         |
|             | P06277-                                       |                |
| 01-0024     | ALTERNATOR                                    | 31-04          |
| 01-0025     | ALTERNATOR                                    | 31-06          |
| 01-0026     | GASKET SETS                                   | 28-04          |
| 01-0027     | GASKET SETS                                   | 28-08          |
| 01-0028     | ENGINE REPAIR KIT AND BEARING                 | 28-12          |
| 01-0029     | ADJUSTING PLATE FOR INJECTOR                  | 28-14          |
| 01-0030     | SHIELD COVER AIR CLEANER (OPTIONAL EQUIPMENT) | 29-18          |
| 01-0031     | MUFFLER (OPTIONAL EQUIPMENT)                  | 29-22          |
| 01-0032     | CATALYZER (OPTIONAL EQUIPMENT)                | 29-24          |
|             | PILLAR EXHAUST PIPE                           |                |
| 01-0033     | ENGINE HEATER (OPTIONAL EQUIPMENT)            | 39-06          |

8550HI TRACTOR (HITECH SERIES)  
SPIMG-008-21-04



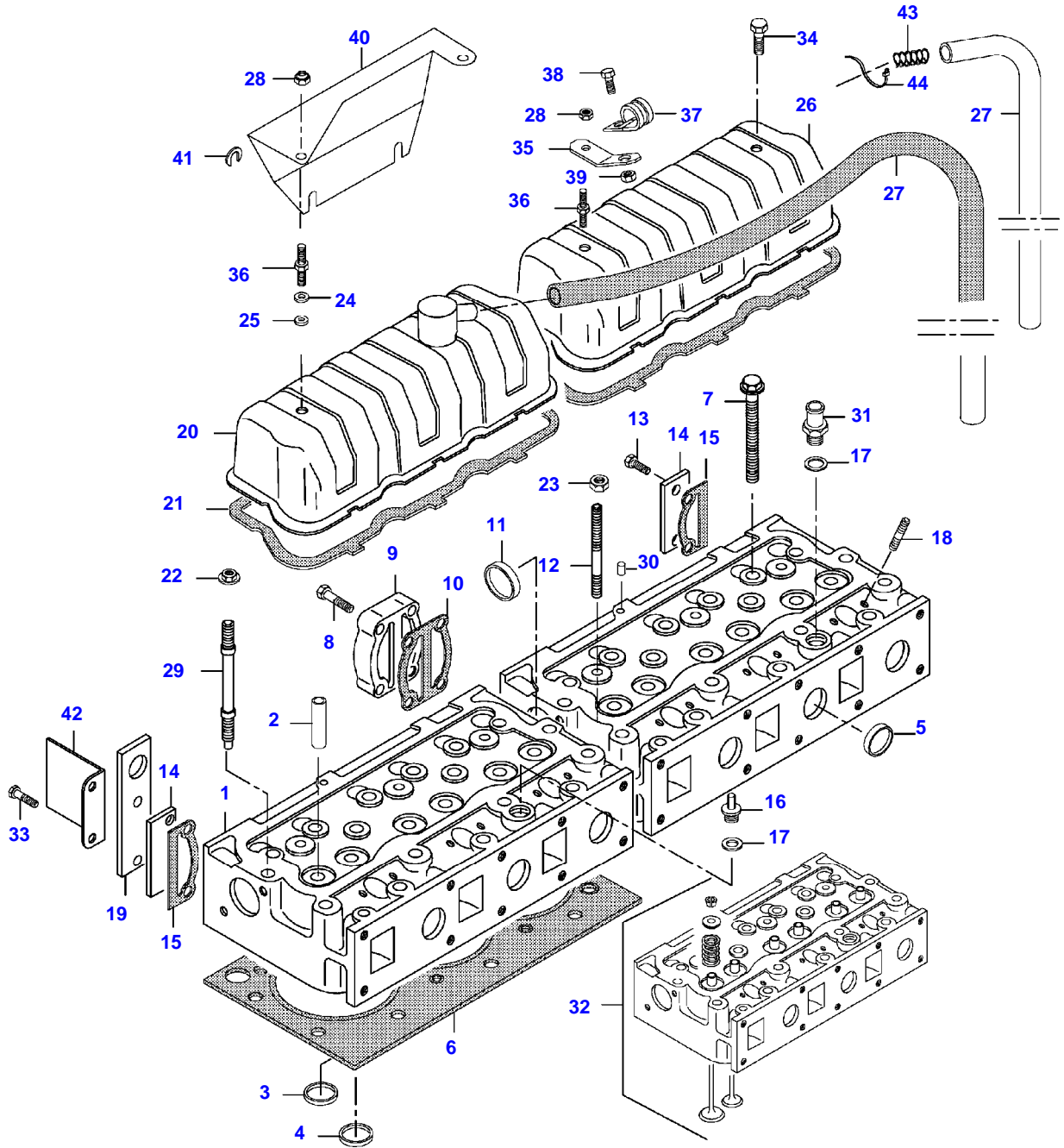
| Item | Part Number | Qty | Description<br>Comments       |
|------|-------------|-----|-------------------------------|
| 1    | V836866110  | 1   | CYLINDER BLOCK                |
| 2    | V836866069  | 1   | CAMSHAFT BEARING BUSHING      |
| 3    | NS          | 6   | NON-SERVICEABLE PART          |
| 4    | V836214478  | 12  | BEARING COVER<br>GUIDE SLEEVE |
| 5    | NS          | 1   | NON-SERVICEABLE PART          |
| 6    | V836214478  | 2   | BEARING COVER<br>GUIDE SLEEVE |
| 7    | V835329030  | 14  | HEX CAP SCREW                 |
| 8    | V836852460  | 2   | CAMSHAFT BEARING BUSHING      |
| 9    | V836852459  | 1   | CAMSHAFT BEARING BUSHING      |
| 10   | V836852461  | 1   | CAMSHAFT BEARING BUSHING      |
| 11   | V836666990  | 6   | LINER                         |
| 12   | V836647502  | 12  | CYLINDER LINER O-RING<br>S2   |
| 13   | V836647503  | 6   | CYLINDER LINER O-RING<br>S2   |
| 14   | V640016016  | 4   | CUP PLUG<br>S2                |
| 15   | V836852744  | 1   | PLUG                          |
| 16   | V640016040  | 2   | CUP PLUG                      |
| 17   | V640325110  | 3   | SCREW PLUG                    |
| 18   | V615571014  | 3   | SEALING WASHER<br>S2          |
| 19   | V887283760  | 1   | PRESSURE SWITCH               |
| 20   | V528801380  | 6   | HEX CAP SCREW                 |
| 21   | V836847994  | 1   | FLANGE                        |
| 22   | V836322852  | 1   | GASKET<br>S2                  |
| 23   | V640025010  | 1   | PLUG                          |
| 27   | V640016018  | 2   | CUP PLUG                      |
| 28   | V640325018  | 2   | PLUG                          |
| 29   | V615881822  | 2   | SEALING WASHER<br>S2          |
| 30   | V836019756  | 1   | PLUG                          |
| 31   | V836129747  | 1   | OIL DIPSTICK GUIDE PIPE       |
| 32   | V640305012  | 7   | PLUG                          |
| 33   | V581705850  | 4   | HEX SOCKET SCREW              |
| 34   | V581705890  | 2   | HEX SOCKET SCREW              |
| 35   | V836346012  | 1   | ENGINE MOUNT<br>LEFT          |
|      | V836346013  | 1   | ENGINE MOUNT<br>RIGHT         |
| 36   | V615881824  | 1   | SEALING WASHER<br>S2          |
| 37   | V615881216  | 1   | SEALING WASHER<br>S2          |
| 38   | V832860001  | 1   | ENGINE                        |
| 39   | V836855093  | 6   | OIL NOZZLE                    |
| 40   | V836338601  | 6   | PRESSURE VALVE                |
|      | V836840237  | 1   | ENGINE GASKET KIT<br>S1       |
|      | V836840238  | 1   | ENGINE GASKET KIT<br>S1+S2    |

8550HI TRACTOR (HITECH SERIES)  
SPIMG-008-21-06



| Item | Part Number | Qty | Description<br>Comments      | Technical Specification     |
|------|-------------|-----|------------------------------|-----------------------------|
| 1    | V836647439  | 1   | FLYWHEEL HOUSING             |                             |
| 2    | V614500002  | 1   | CRANKSHAFT SEAL<br>S2        |                             |
| 3    | V529702220  | 8   | HEX CAP SCREW                |                             |
| 4    | V581705030  | 6   | HEX SOCKET SCREW             |                             |
| 5    | V836007572  | 1   | RUBBER PLUG                  |                             |
| 6    | V598359850  | 2   | PIN                          |                             |
| 7    | V504601000  | 3   | NUT                          |                             |
| 8    | V500951000  | 9   | SPRING WASHER                |                             |
| 9    | V546801800  | 3   | STUD BOLT                    |                             |
| 10   | V836659990  | 1   | FLYWHEEL<br>SASCH            |                             |
|      | V836659502  | 1   | FLYWHEEL<br>VOITH<br>-666065 |                             |
|      | V836759820  | 1   | FLYWHEEL<br>VOITH<br>666066- |                             |
| 11   | V835328783  | 1   | STARTER RING                 |                             |
| 12   | V836659527  | 1   | GUIDE SLEEVE                 |                             |
| 13   | V836759798  | 1   | BRACKET                      |                             |
| 14   | V528801362  | 1   | HEX CAP SCREW                |                             |
| 15   | V528801760  | 1   | HEX CAP SCREW                |                             |
| 16   | V504800800  | 1   | NUT                          |                             |
| 17   | V528802180  | 1   | HEX CAP SCREW                |                             |
| 18   | V836859311  | 1   | PLUG                         |                             |
| 19   | V500150842  | 2   | WASHER                       |                             |
| 20   | VHC8519     | 2   | HEX SOCKET SCREW             | M12 X 140 DIN912 8.8        |
| 21   | V836755361  | 1   | SUPPORT                      |                             |
| 22   | V529702250  | 8   | HEX CAP SCREW                |                             |
| 23   | V836355864  | 1   | RING                         |                             |
| 24   | V500951200  | 8   | SPRING WASHER                |                             |
| 25   | V34172400   | 1   | HOLDER                       |                             |
| 26   | VJD0408     | 2   | WASHER                       | M8                          |
| 27   | VHA6322     | 2   | SCREW                        | M8 X 16 SFS_EN_ISO_4017 8.8 |
| 28   | V32604200   | 1   | BAND                         |                             |
| 29   | ACV0799330  | 1   | GROMMET                      |                             |

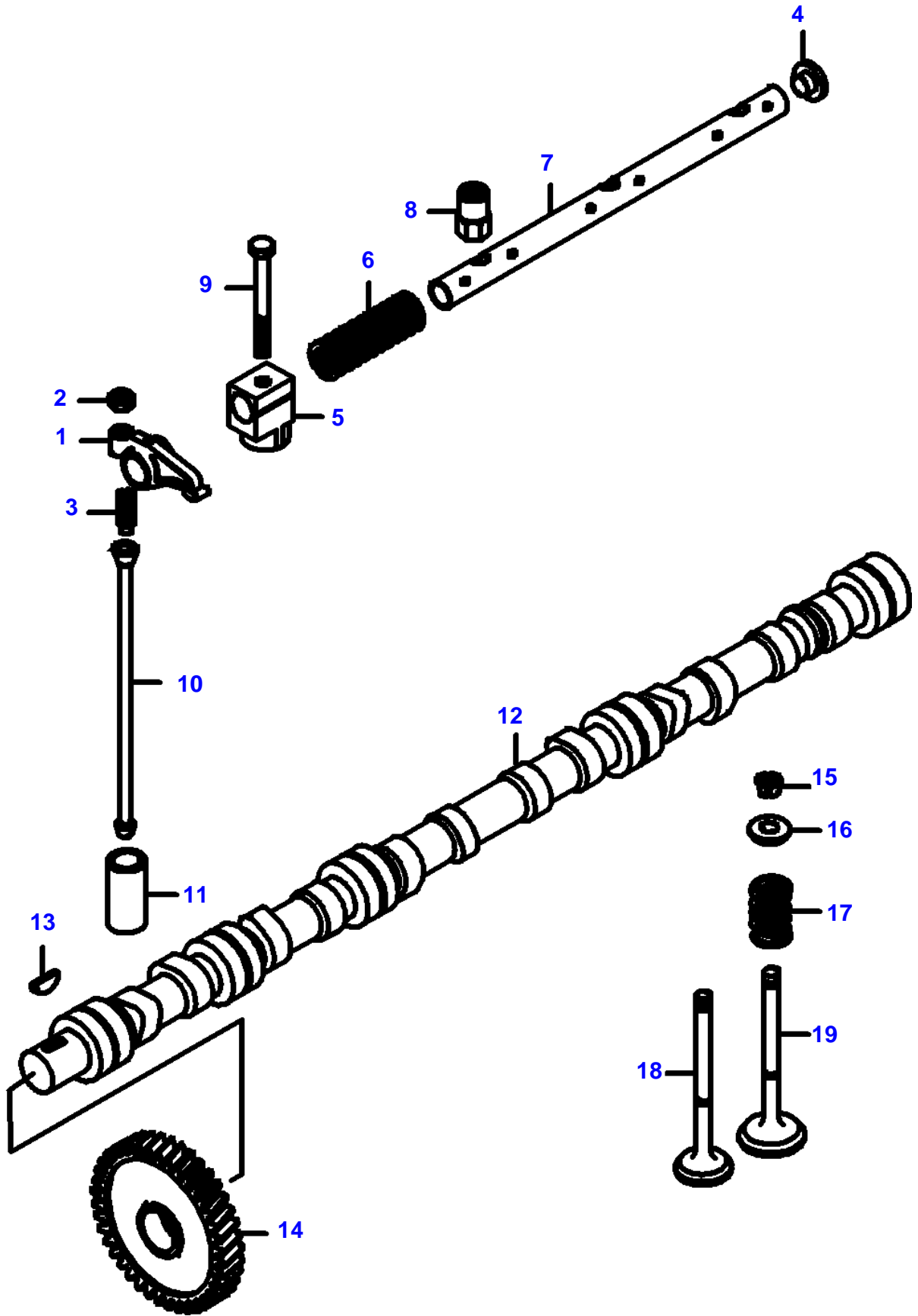
8550HI TRACTOR (HITECH SERIES)  
SPIMG-008-21-10



| Item | Part Number | Qty | Description<br>Comments         |
|------|-------------|-----|---------------------------------|
| 1    | V836855381  | 2   | CYLINDER HEAD                   |
| 2    | V836647601  | 12  | GUIDE                           |
| 3    | V836647600  | 6   | VALVE SEAT                      |
| 4    | V836647936  | 6   | EXHAUST<br>VALVE SEAT           |
| 5    | V836647942  | 10  | INTAKE<br>CUP PLUG              |
| 6    | V836666302  | 2   | CYLINDER HEAD GASKET<br>S1      |
| 7    | V836859104  | 32  | HEXAGON FLANGE BOLT             |
| 8    | V529801830  | 4   | HEX CAP SCREW<br>M10            |
| 9    | V836855348  | 1   | CONNECTION FLANGE               |
| 10   | V836866214  | 1   | GASKET<br>S1                    |
| 11   | V640016045  | 1   | CUP PLUG                        |
| 12   | V546801900  | 4   | STUD BOLT                       |
| 13   | V528801800  | 2   | HEX CAP SCREW<br>M10            |
| 14   | V836855350  | 2   | BLOCK OFF PLATE                 |
| 15   | V836866215  | 2   | GASKET<br>S1                    |
| 16   | V836659058  | 1   | CONNECTOR                       |
| 17   | V615881822  | 2   | SEALING WASHER<br>S1            |
| 18   | V546901435  | 12  | STUD BOLT                       |
| 19   | V836855349  | 2   | LIFT EYE                        |
| 20   | V836859501  | 1   | VALVE ROCKER COVER              |
| 21   | V836646360  | 2   | VALVE ROCKER COVER GASKET<br>S1 |
| 22   | V836859110  | 2   | NUT                             |
| 23   | V836655406  | 4   | SLEEVE NUT                      |
| 24   | V836119855  | 4   | WASHER                          |
| 25   | V836012841  | 4   | RUBBER BUSHING<br>S1            |
| 26   | V836846448  | 1   | VALVE ROCKER COVER              |
| 27   | V836659918  | 1   | RUBBER HOSE                     |
| 28   | V510601002  | 4   | NUT                             |
| 29   | V836859109  | 2   | STUD BOLT                       |
| 30   | V595959140  | 2   | PIN                             |
| 31   | V836119837  | 1   | HOSE COUPLER                    |
| 32   | V836640897  | 2   | KIT, CYL. HEAD                  |
| 33   | V528801820  | 2   | HEX CAP SCREW                   |
| 34   | V528801780  | 2   | HEX CAP SCREW                   |
| 35   | V836652567  | 1   | SUPPORT                         |
| 36   | V836659175  | 3   | STUD BOLT                       |
| 37   | V836659539  | 1   | CLAMP                           |
| 38   | V528801362  | 1   | HEX CAP SCREW                   |
| 39   | V504800800  | 1   | NUT                             |
| 40   | V836859843  | 1   | HEAT SHIELD                     |
| 41   | V836864223  | 2   | LOCK RING                       |
| 42   | V836666199  | 1   | HEAT SHIELD                     |

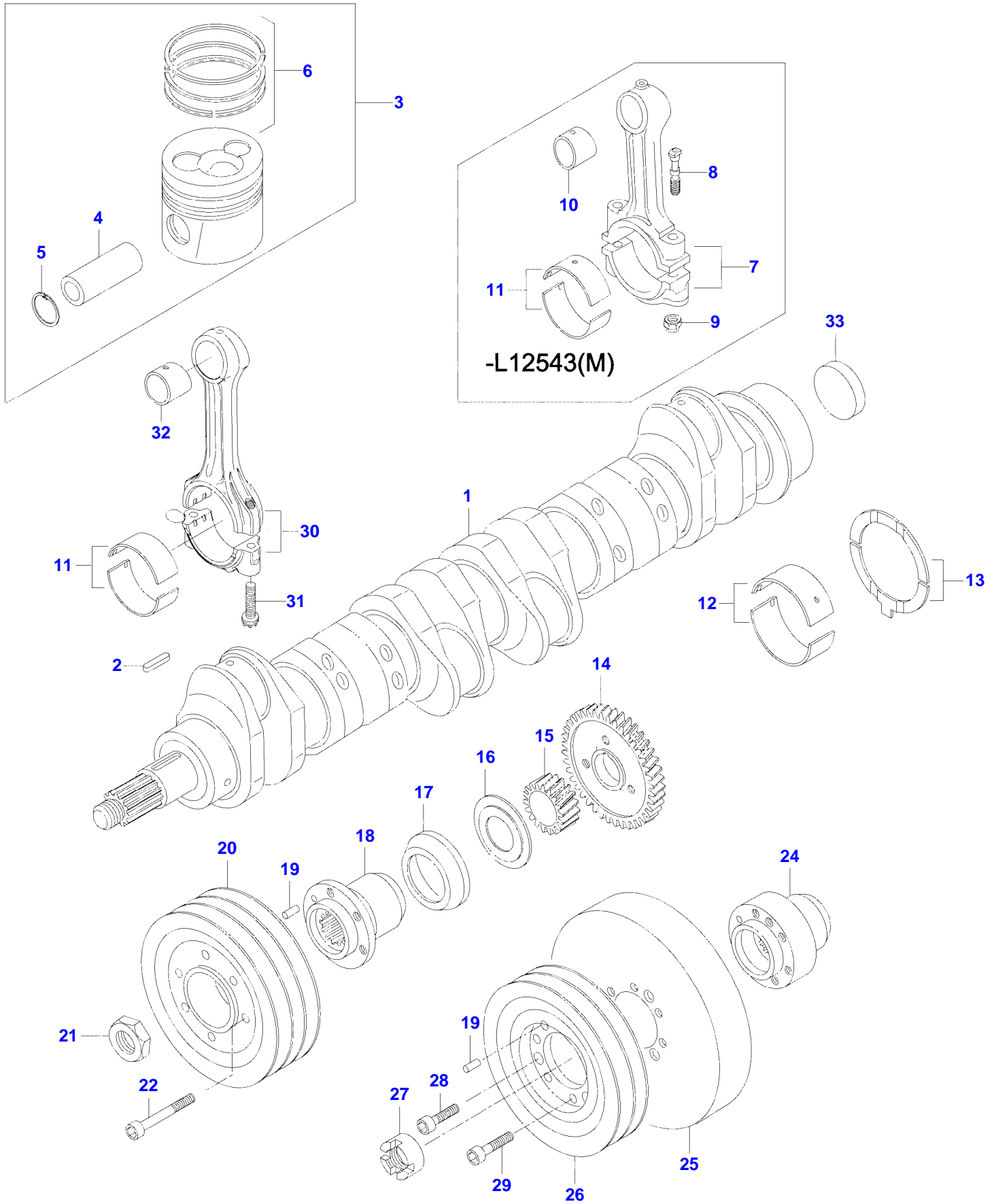


8550HI TRACTOR (HITECH SERIES)  
SPIMG-008-21-14



| Item | Part Number | Qty | Description<br>Comments |
|------|-------------|-----|-------------------------|
|      | V836666610  | 2   | ROCKER SHAFT ASM        |
| 1    | V836666608  | 12  | ROCKER ARM              |
|      |             |     | .                       |
| 2    | V512861000  | 12  | NUT                     |
|      |             |     | ..                      |
|      |             |     | M10                     |
| 4    | V836655899  | 4   | PLUG                    |
|      |             |     | .                       |
| 3    | V836655866  | 12  | ADJUSTING SCREW         |
|      |             |     | ..                      |
| 5    | V836655869  | 6   | BRACKET                 |
|      |             |     | .                       |
| 6    | V836655884  | 4   | SPRING                  |
|      |             |     | .                       |
| 7    | V836655870  | 2   | SHAFT                   |
|      |             |     | .                       |
|      |             |     | D=23                    |
| 8    | V836655406  | 4   | SLEEVE NUT              |
| 9    | V529801910  | 2   | HEX CAP SCREW           |
| 10   | V836655867  | 12  | PUSHROD                 |
| 11   | V836014264  | 12  | TAPPET                  |
| 12   | V836846376  | 1   | CAMSHAFT<br>-L13187 (M) |
|      | V836866054  | 1   | CAMSHAFT<br>L13188-(M)  |
| 13   | V603305760  | 1   | WOODRUFF KEY            |
| 14   | V836646389  | 1   | GEAR,CAMSHAFT           |
| 15   | V836646382  | 24  | COTTER                  |
| 16   | V836646381  | 12  | WASHER                  |
| 17   | V836646380  | 12  | SPRING                  |
| 18   | V836646357  | 6   | EXHAUST VALVE           |
| 19   | V836646356  | 6   | INTAKE VALVE            |

8550HI TRACTOR (HITECH SERIES)  
SPIMG-008-21-18



| Item | Part Number | Qty | Description<br>Comments                | Technical Specification |
|------|-------------|-----|--|-------------------------|
| 1    | V836852281  | 1   | CRANKSHAFT                             |                         |
| 2    | V603345110  | 1   | KEY                                    |                         |
| 3    | V836840596  | 6   | PISTON                                 |                         |
| 4    | NS          | 6   | NON-SERVICEABLE PART                   |                         |
| 5    | NS          | 12  | PISTON PIN<br>NON-SERVICEABLE PART     |                         |
| 6    | V836640078  | 6   | CIRCLIP<br>PISTON RING KIT             |                         |
| 7    | V836647460  | 6   | CONROD<br>2150-2169 G X<br>-L12543 (M) |                         |
|      | V836652104  |     | CONROD<br>2170-2189 G A<br>-L12543 (M) |                         |
|      | V836652105  |     | CONROD<br>2190-2209 G B<br>-L12543 (M) |                         |
|      | V836652106  |     | CONROD<br>2210-2229 G C<br>-L12543 (M) |                         |
|      | V836652107  |     | CONROD<br>2230-2249 G D<br>-L12543 (M) |                         |
|      | V836652108  |     | CONROD<br>2250-2269 G E<br>-L12543 (M) |                         |
|      | V836652109  |     | CONROD<br>2270-2289 G H<br>-L12543 (M) |                         |
|      | V836652110  |     | CONROD<br>2290-2309 G I<br>-L12543 (M) |                         |
|      | V836652111  |     | CONROD<br>2310-2329 G J<br>-L12543 (M) |                         |
|      | V836652112  |     | CONROD<br>2330-2349 G K<br>-L12543 (M) |                         |
|      | V836652113  |     | CONROD<br>2350-2369 G L<br>-L12543 (M) |                         |
|      | V836652114  |     | CONROD<br>2370-2389 G M<br>-L12543 (M) |                         |
|      | V836652115  |     | CONROD<br>2390-2409 G N<br>-L12543 (M) |                         |
|      | V836652116  |     | CONROD<br>2410-2429 G O<br>-L12543 (M) |                         |
|      | V836652117  |     | CONROD<br>2430-2449 G P<br>-L12543 (M) |                         |
|      | V836652118  |     | CONROD<br>2450-2469 G R<br>-L12543 (M) |                         |
|      | V836652119  |     | CONROD<br>2470-2489 G S<br>-L12543 (M) |                         |
|      | V836652120  |     | CONROD<br>2490-2509 G T<br>-L12543 (M) |                         |

| Item | Part Number | Qty | Description<br>Comments   | Technical Specification |
|------|-------------|-----|---|-------------------------|
|      | V836652121  |     | CONROD<br>2510-2529 G U<br>-L12543 (M)                                |                         |
|      | V836840928  | 1   | CONNECTING ROD KIT<br>INCLUDES:<br>REF. 30-32<br>L12544-(M)           |                         |
| 30   | NS          |     | NON-SERVICEABLE PART<br>CONNECTING ROD<br>1935-1954 G F<br>L12544-(M) |                         |
|      | NS          |     | NON-SERVICEABLE PART<br>CONNECTING ROD<br>1955-1974 G V<br>L12544-(M) |                         |
|      | NS          |     | NON-SERVICEABLE PART<br>CONNECTING ROD<br>1975-1994 G X<br>L12544-(M) |                         |
|      | NS          |     | NON-SERVICEABLE PART<br>CONNECTING ROD<br>1995-2014 G Y<br>L12544-(M) |                         |
|      | NS          |     | NON-SERVICEABLE PART<br>CONNECTING ROD<br>2015-2034 G W<br>L12544-(M) |                         |
|      | NS          |     | NON-SERVICEABLE PART<br>CONNECTING ROD<br>2035-2054 G Z<br>L12544-(M) |                         |
|      | NS          |     | NON-SERVICEABLE PART<br>CONNECTING ROD<br>2055-2074 G G<br>L12544-(M) |                         |
| 8    | V836646204  | 12  | CONNECTING ROD BOLT<br>.<br>-L12543(M)                                |                         |
| 31   | V836864141  | 8   | CONNECTING ROD BOLT<br>.<br>L12544-(M)                                |                         |
| 9    | V836646205  | 12  | NUT<br>.<br>-L12543(M)  |                         |
| 10   | V836646271  | 6   | BEARING BUSH<br>.<br>-L12543(M)                                       |                         |
| 32   | V836110646  | 4   | BEARING BUSH<br>.<br>L12544-(M)                                       | STD                     |
| 11   | V836110552  | 6   | BEARING SHELL<br>SEE PAGE 01-0028                                     |                         |
| 12   | V836655514  | 7   | MAIN BEARING<br>SEE PAGE 01-0028                                      |                         |
| 13   | V836119459  | 2   | THRUST WASHER<br>SEE PAGE 01-0028                                     |                         |
| 14   | V836119550  | 1   | GEAR,CRANKSHAFT   |                         |
| 15   | V836122840  | 1   | GEAR,CRANKSHAFT   |                         |
| 16   | V836129781  | 1   | RING  |                         |
| 17   | V836136271  | 1   | SHIELD  |                         |
| 19   | V595953360  | 1   | PIN   |                         |
| 24   | V836322586  | 1   | CRANKSHAFT HUB  |                         |
| 25   | V836340689  | 1   | CRANKSHAFT VIBRATION DAMPENER   |                         |
| 26   | V836355025  | 1   | CRANKSHAFT V-BELT PULLEY  |                         |
| 27   | V836847641  | 1   | CRANKSHAFT NUT  |                         |
| 28   | V577804620  | 3   | HEX SOCKET SCREW  |                         |

---

Valtra

8550HI TRACTOR (HITECH SERIES)

VFH8550

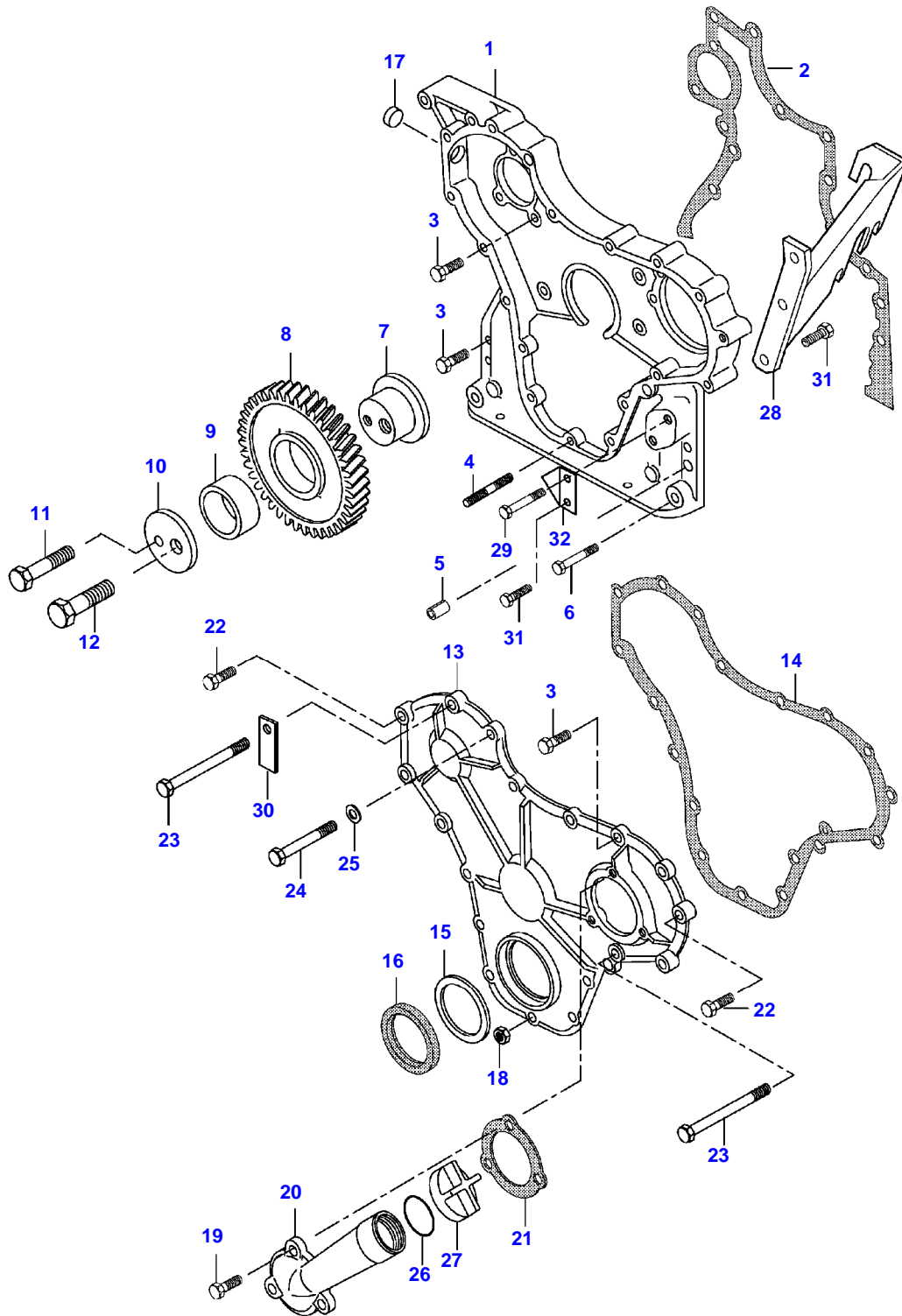
CRANK MECHANISM

Page01-0005

---

| Item | Part Number | Qty | Description<br>Comments | Technical Specification |
|------|-------------|-----|-------------------------|-------------------------|
| 29   | V581804640  | 6   | HEX SOCKET SCREW        |                         |
| 33   | V836852082  | 1   | PLUG                    |                         |

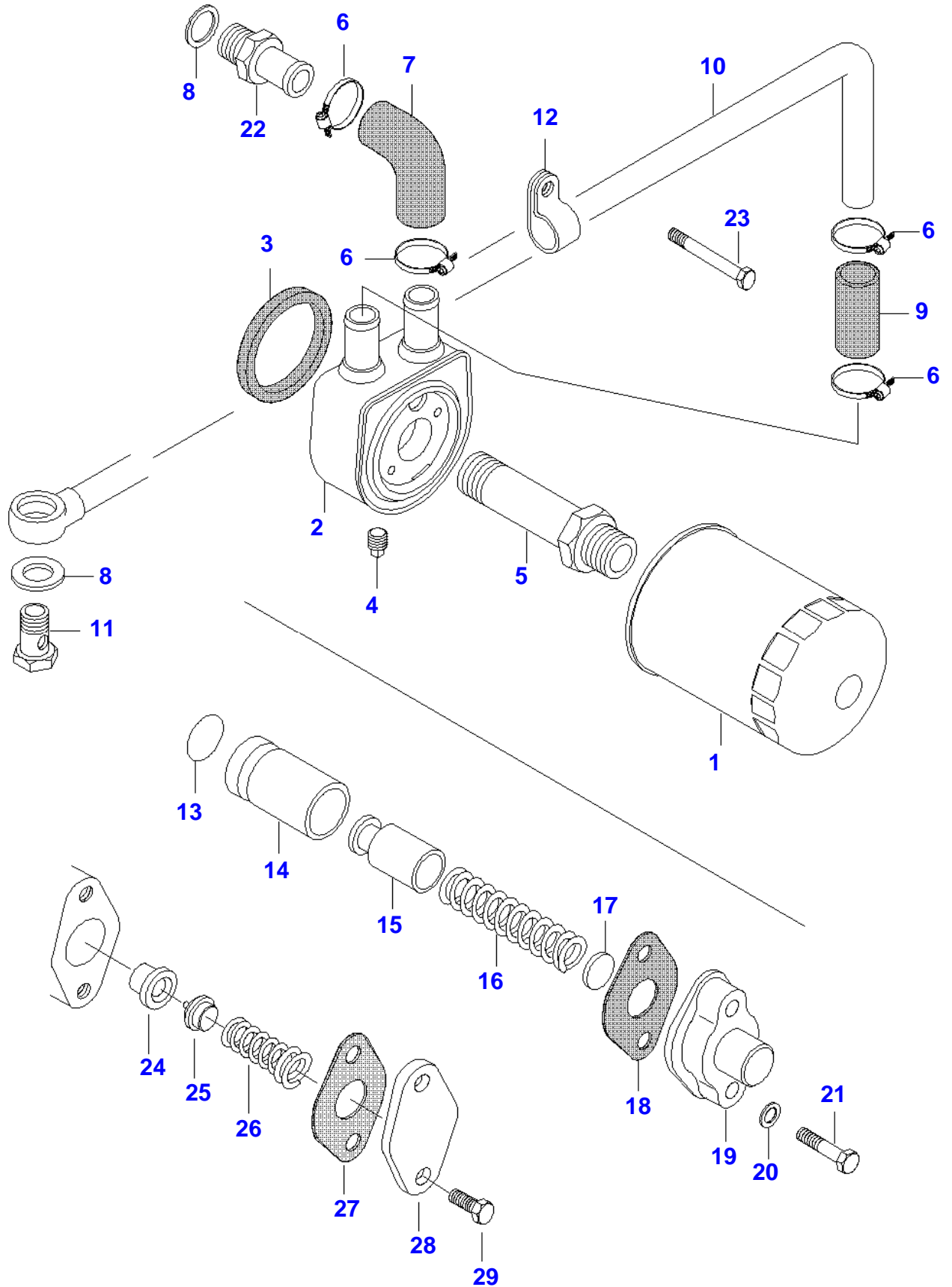
8550HI TRACTOR (HITECH SERIES)  
SPIMG-008-21-20



| Item | Part Number | Qty | Description<br>Comments               |
|------|-------------|-----|---------------------------------------|
| 1    | V836647865  | 1   | TIMING GEAR CASE                      |
| 2    | V836647419  | 1   | GASKET<br>S2                          |
| 3    | V528801400  | 11  | HEX CAP SCREW                         |
| 4    | V546801380  | 4   | STUD BOLT                             |
| 5    | V598359850  | 4   | PIN                                   |
| 6    | V529801440  | 2   | HEX CAP SCREW                         |
| 7    | V836129709  | 1   | SHAFT                                 |
| 8    | V836129863  | 1   | IDLER GEAR                            |
| 9    | V836129844  | 1   | BEARING BUSH                          |
| 10   | V836129845  | 1   | FLANGE                                |
| 11   | V528801860  | 1   | HEX CAP SCREW                         |
| 12   | V529902680  | 1   | HEX CAP SCREW                         |
| 13   | V836647572  | 1   | GEAR HOUSING FRONT COVER              |
| 14   | V836129942  | 1   | GASKET<br>S2                          |
| 15   | V836129782  | 1   | COVER                                 |
| 16   | V614105880  | 1   | OIL SEAL<br>S2                        |
| 17   | V640016016  | 1   | CUP PLUG                              |
| 18   | V504800800  | 5   | NUT                                   |
| 19   | V528801380  | 3   | HEX CAP SCREW                         |
| 20   | V836746921  | 1   | PIPE                                  |
| 21   | V836129946  | 1   | GASKET<br>S2                          |
| 22   | V528801420  | 4   | HEX CAP SCREW                         |
| 23   | V529801500  | 2   | HEX CAP SCREW                         |
| 24   | V529801470  | 3   | HEX CAP SCREW                         |
| 25   | V836120989  | 1   | WASHER                                |
| 26   | V614604740  | 1   | O-RING<br>S2                          |
| 27   | V836338733  | 1   | OIL FILLER CAP                        |
| 28   | V836659804  | 1   | THROTTLE SENSOR BRACKET<br>-K14726(M) |
|      | V836664528  | 1   | THROTTLE SENSOR BRACKET<br>K14727-(M) |
| 29   | V529801450  | 1   | HEX CAP SCREW                         |
| 30   | V836083428  | 1   | CABLE TIE                             |
| 31   | V528801362  | 3   | HEX CAP SCREW                         |

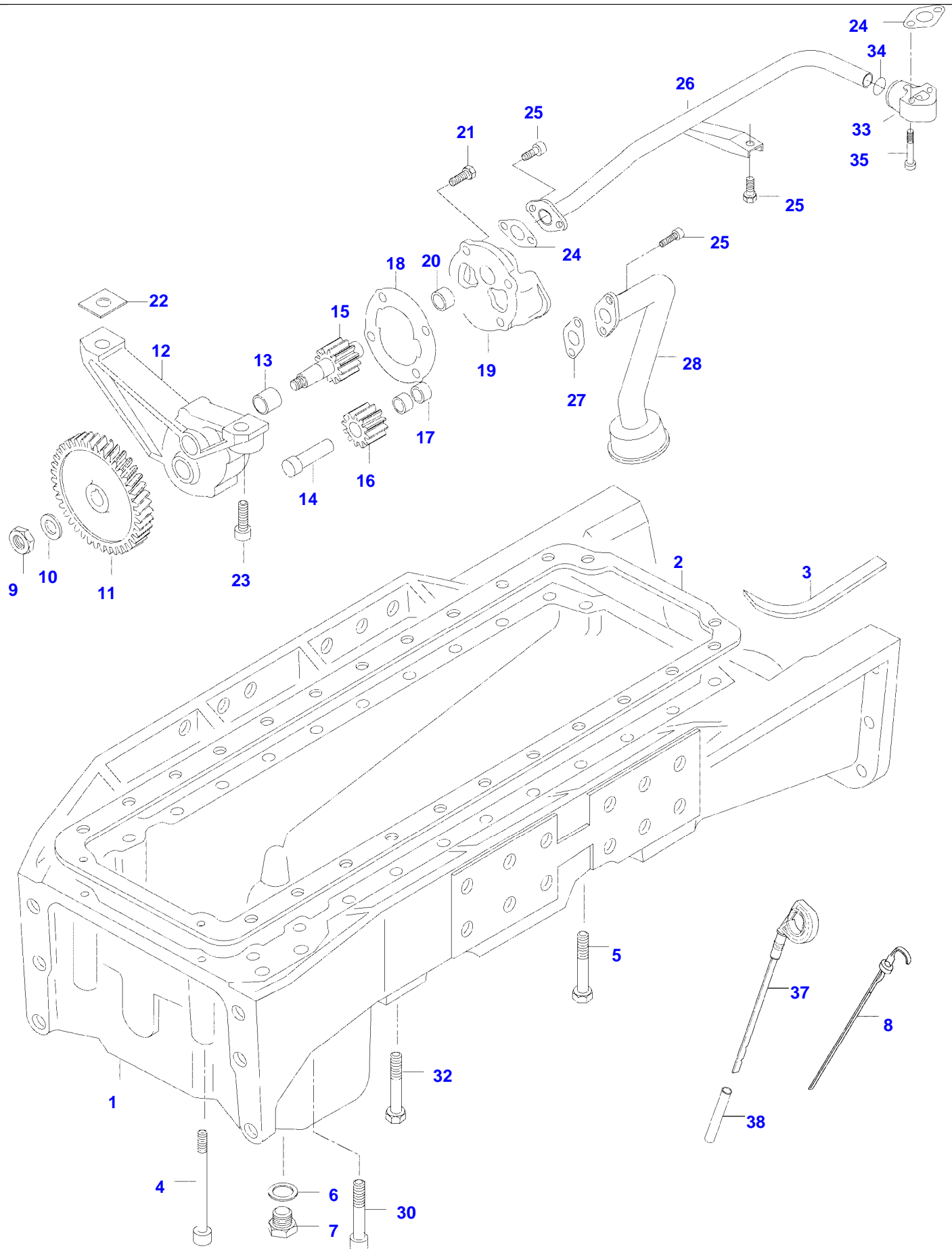


8550HI TRACTOR (HITECH SERIES)  
SPIMG-008-21-28



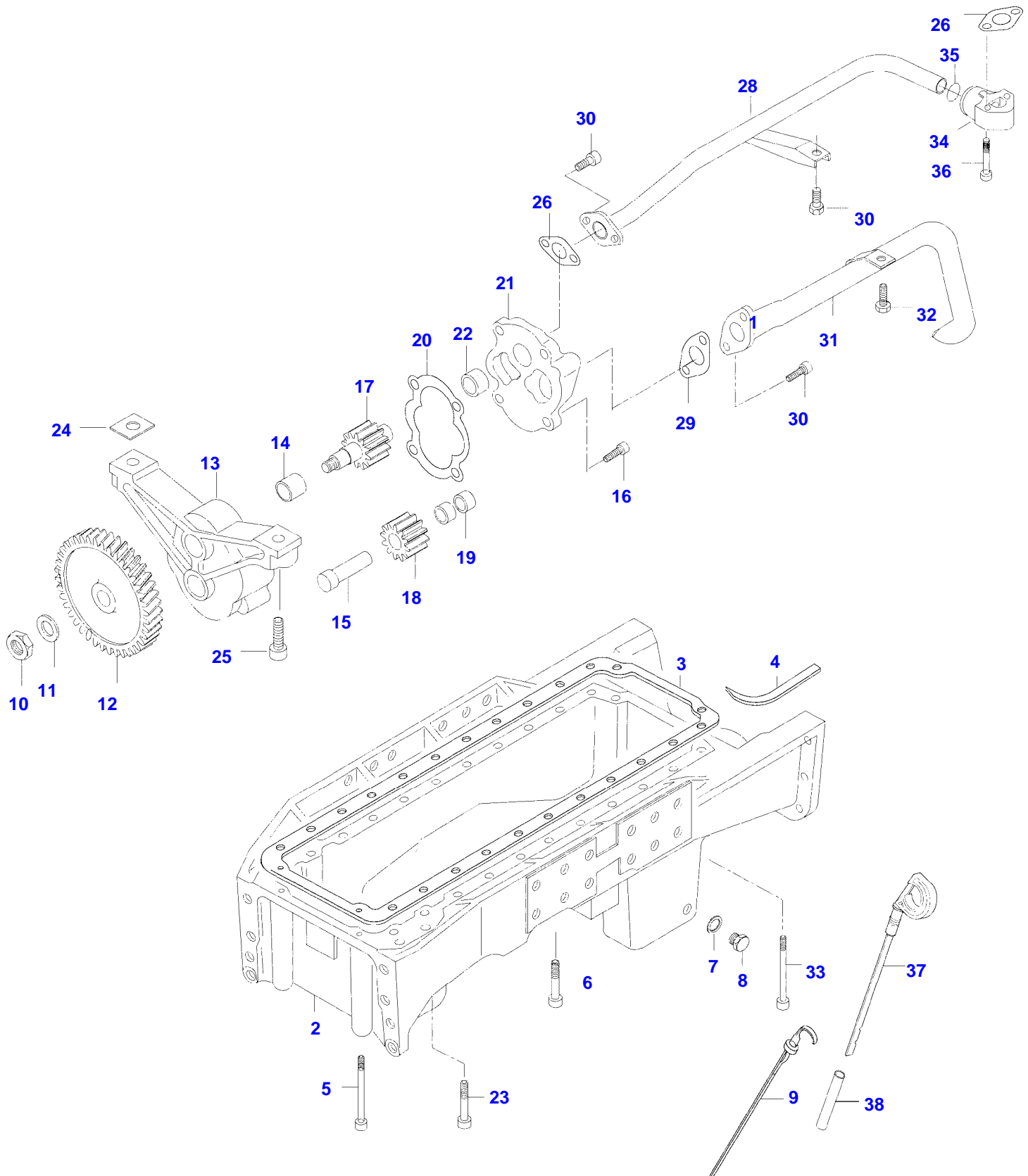
| Item | Part Number | Qty | Description<br>Comments                                |
|------|-------------|-----|--|
| 1    | V836662580  | 1   | ENGINE OIL FILTER                                      |
| 2    | V836859699  | 1   | OIL COOLER   |
| 3    | V836862235  | 1   | SEAL   |
| 4    | V836131366  | 1   | PLUG   |
| 5    | V836859700  | 1   | UNION  |
| 6    | V602079516  | 4   | HOSE CLIP  |
| 7    | V836859899  | 1   | RUBBER ELBOW   |
| 8    | V615881822  | 3   | SEALING WASHER<br>S2                                   |
| 9    | V836129978  | 1   | RUBBER HOSE  |
| 10   | V836847929  | 1   | PIPE   |
| 11   | V640435015  | 1   | BANJO BOLT   |
| 12   | V602060615  | 1   | RETAINER CLAMP   |
|      | V836840851  | 1   | OIL PRESSURE CONTROL VALVE<br>-J14376(M)<br>-J14376(M) |
| 13   | V614601524  | 1   | O-RING<br>S2   |
| 14   | V836117834  | 1   | CYLINDER   |
| 15   | V836338850  | 1   | OIL PRESSURE CONTROL VALVE                             |
| 16   | V836655246  | 1   | SPRING   |
| 17   | V836020290  | 1   | INJECTOR SHIM  |
| 18   | V836322190  | 1   | GASKET<br>S2   |
| 19   | V836129849  | 1   | COVER  |
| 20   | V500950800  | 1   | SPRING WASHER  |
| 21   | V528801420  | 2   | HEX CAP SCREW  |
| 22   | V836119837  | 1   | HOSE COUPLER   |
| 23   | V529801480  | 1   | HEX CAP SCREW  |
|      | V836662130  | 1   | OIL PRESSURE CONTROL VALVE<br>J14377-(M)               |
| 24   | V836659521  | 1   | VALVE SEAT   |
| 25   | V836659522  | 1   | VALVE CONE   |
| 26   | V836864056  | 1   | END  |
| 27   | V836322190  | 1   | GASKET<br>S2   |
| 28   | V836659524  | 1   | COVER  |
| 29   | V528801380  | 2   | HEX CAP SCREW<br>M8 X 20                               |

8550HI TRACTOR (HITECH SERIES)  
SPIMG-008-21-32



| Item | Part Number | Qty | Description<br>Comments        |
|------|-------------|-----|--------------------------------|
| 1    | V836847762  | 1   | OIL SUMP                       |
| 2    | V836322183  | 1   | OIL SUMP GASKET<br>S2          |
|      | VUK0177     | 1   | GASKET SEALPASTE               |
| 3    | V836129727  | 2   | GASKET<br>S2                   |
| 4    | V581704830  | 2   | HEX SOCKET SCREW<br>M8X160     |
| 5    | V581705130  | 20  | HEX SOCKET SCREW<br>M10X80     |
| 6    | V615881827  | 1   | SEALING WASHER<br>S2           |
| 7    | V836655493  | 1   | PLUG<br>M18                    |
| 8    | V836847652  | 1   | DIPSTICK<br>-XX                |
| 37   | V836666908  | 1   | DIPSTICK<br>ORANGE<br>XX-      |
| 38   | V836666910  | 1   | OIL DIPSTICK GUIDE PIPE<br>XX- |
|      | V836855300  | 1   | LUBRICATING OIL PUMP           |
| 9    | V504861000  | 1   | NUT                            |
| 10   | V836122910  | 1   | WASHER                         |
| 11   | V836338667  | 1   | GEAR                           |
| 12   | V836338186  | 1   | FRAME                          |
| 13   | V836322909  | 1   | BUSHING                        |
| 14   | V836322906  | 1   | OIL PUMP SHAFT                 |
| 15   | V836338182  | 1   | OIL PUMP SHAFT                 |
| 16   | V836338180  | 1   | GEAR,OIL PUMP                  |
| 17   | V836322909  | 2   | BUSHING                        |
| 18   | V836338188  | 1   | GASKET<br>S2                   |
| 19   | V836855297  | 1   | COVER                          |
| 20   | V836322909  | 1   | BUSHING                        |
| 21   | V528801380  | 4   | HEX CAP SCREW                  |
| 22   | V836007871  | 2   | SHIM                           |
| 23   | V581805050  | 2   | HEX SOCKET SCREW               |
| 24   | V836008449  | 2   | GASKET<br>S2                   |
| 25   | V581804600  | 8   | HEX SOCKET SCREW               |
| 26   | V836866569  | 1   | OIL PIPE                       |
| 27   | V836338201  | 1   | GASKET<br>S2                   |
| 28   | V836859673  | 1   | OIL PUMP SUCTION PIPE          |
| 30   | V581706350  | 4   | HEX SOCKET SCREW<br>M16X90     |
| 32   | V529902020  | 4   | HEX CAP SCREW<br>M10X170       |
| 33   | V836866563  | 1   | ADAPTER FLANGE                 |
| 34   | V614702230  | 1   | O-RING                         |
| 35   | V581804680  | 2   | HEX SOCKET SCREW               |

8550HI TRACTOR (HITECH SERIES)  
SPIMG-008-21-34



| Item | Part Number | Qty | Description<br>Comments           |
|------|-------------|-----|-----------------------------------|
|      |             |     | <b>LONG WHEEL BASE</b>            |
| 2    | V836855501  | 1   | OIL SUMP                          |
| 3    | V836322183  | 1   | OIL SUMP GASKET<br>S2             |
|      | VUK0177     | 1   | GASKET SEALPASTE                  |
| 4    | V836129727  | 2   | GASKET                            |
| 5    | V581704830  | 2   | HEX SOCKET SCREW<br>M8X160        |
| 6    | V581705130  | 22  | HEX SOCKET SCREW<br>M10X80        |
| 7    | V615881827  | 1   | SEALING WASHER<br>S2<br>D=18      |
| 8    | V836655493  | 1   | PLUG<br>M18                       |
| 9    | V836847652  | 1   | DIPSTICK<br>-XX                   |
| 37   | V836666908  | 1   | DIPSTICK<br>XX-<br>ORANGE         |
| 38   | V836666910  | 1   | OIL DIPSTICK GUIDE PIPE<br>XX-    |
|      | V836338187  | 1   | LUBRICATING OIL PUMP<br>-J8380(M) |
|      | V836855300  | 1   | LUBRICATING OIL PUMP<br>J8381-(M) |
| 10   | V504861000  | 1   | NUT                               |
| 11   | V836122910  | 1   | WASHER                            |
| 12   | V836338667  | 1   | GEAR                              |
| 13   | V836338186  | 1   | FRAME                             |
| 14   | V836322909  | 1   | BUSHING                           |
| 15   | V836322906  | 1   | OIL PUMP SHAFT                    |
| 16   | V528801380  | 4   | HEX CAP SCREW                     |
| 17   | V836338182  | 1   | OIL PUMP SHAFT                    |
| 18   | V836338180  | 1   | GEAR,OIL PUMP                     |
| 19   | V836322909  | 2   | BUSHING                           |
| 20   | V836338188  | 1   | GASKET<br>S2                      |
| 21   | V836338184  | 1   | COVER<br>-J8380(M)                |
|      | V836855297  | 1   | COVER<br>J8381-(M)                |
| 22   | V836322909  | 1   | BUSHING                           |
| 23   | V581706350  | 4   | HEX SOCKET SCREW                  |
| 24   | V836007871  | 2   | SHIM                              |
| 25   | V581805050  | 2   | HEX SOCKET SCREW                  |
| 26   | V836008449  | 2   | GASKET<br>S2                      |
| 28   | V836855324  | 1   | OIL PIPE<br>-J8380(M)             |

Thank you so much for reading.  
Please click the “Buy Now!”  
button below to download the  
complete manual.



After you pay.

You can download the most  
perfect and complete manual in  
the world immediately.

Our support email:

[ebooklibonline@outlook.com](mailto:ebooklibonline@outlook.com)