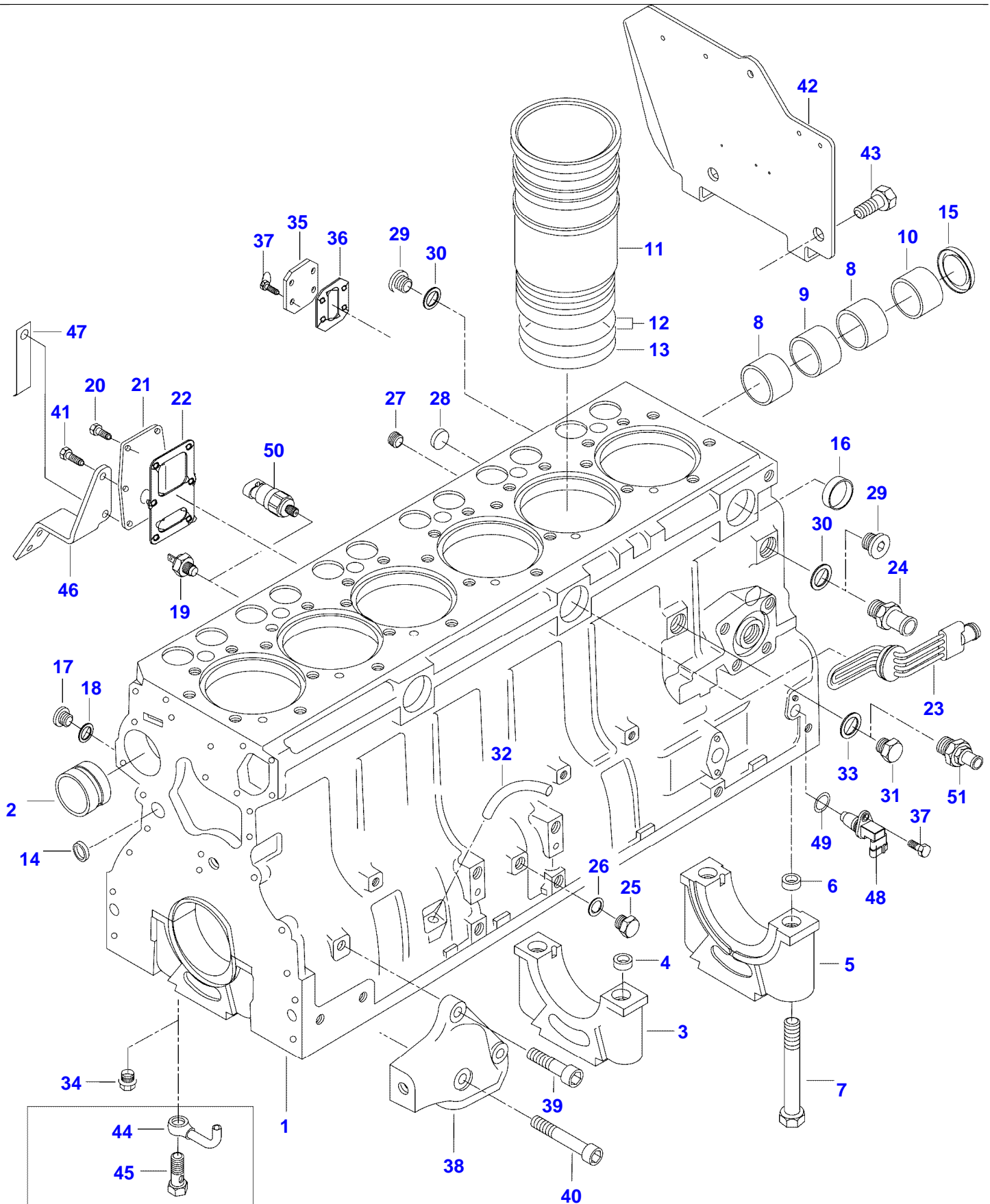


Page Number	Page Title	Page Reference
01-000-TOC	ENGINE, FUEL AND EXHAUST SYSTEM	01-000-TOC
02-000-TOC	AXLES	02-000-TOC
03-000-TOC	STEERING SYSTEM	03-000-TOC
04-000-TOC	DRIVE TRAIN SYSTEM	04-000-TOC
05-000-TOC	BRAKE SYSTEM	05-000-TOC
06-000-TOC	COMPRESSED AIR SYSTEM	06-000-TOC
07-000-TOC	HYDRAULIC SYSTEM	07-000-TOC
08-000-TOC	ELECTRICAL SYSTEM	08-000-TOC
09-000-TOC	CAB	09-000-TOC
10-000-TOC	AIR CONDITIONING AND HEATING SYSTEM	10-000-TOC
11-000-TOC	CHASSIS	11-000-TOC
12-000-TOC	DECALS	12-000-TOC
13-000-TOC	WHEELS	13-000-TOC
14-000-TOC	IMPLEMENT DRIVE SYSTEM	14-000-TOC
15-000-TOC	IMPLEMENT LIFT SYSTEM FRONT	15-000-TOC
16-000-TOC	IMPLEMENT LIFT SYSTEM REAR	16-000-TOC
17-000-TOC	FRONT/REAR LOADERS	17-000-TOC
18-000-TOC	PRECISION FARMING SYSTEMS	18-000-TOC
19-000-TOC	ATTACHMENTS	19-000-TOC
20-000-TOC	GENERAL INFORMATION	20-000-TOC

Page Number	Page Title	Page Reference
01-0001	CYLINDERBLOCK	21-02
01-0002	FLYWHEEL AND HOUSING	21-04
01-0003	CYLINDER HEAD -N12649 (M)	21-06
01-0004	CYLINDER HEAD N12650- (M)	21-06A
01-0005	VALVE MECHANISM	21-08
01-0006	CRANK MECHANISM N12650- (M)	21-12A
01-0007	GEAR HOUSING	21-14
01-0008	OIL FILTER	21-16
01-0009	OIL SUMP	1712623
01-0010	AIR CLEANER	21-20
01-0011	INTAKE- AND EXHAUST PIPE N12650- (M)	21-22A
01-0012	INTERCOOLER	21-24
01-0013	PILLAR EXHAUST PIPE	21-26
01-0014	TURBOCHARGER	21-28
01-0015	FUEL FILTER N12650-(M)	22-04
01-0016	FUEL PIPES	22-06
01-0017	INJECTION PUMP N12650-(M)	22-12
01-0018	SPEED LEVERS -N12649 (M)	22-14
01-0019	SPEED LEVERS N12650- (M)	22-16
01-0020	RADIATOR N28116-	23-02A
01-0021	COOLANT PUMP	23-04
01-0022	STARTERMOTOR N17489- (M)	24-02A
01-0023	ALTERNATOR N12650- (M)	24-06A
01-0024	EEM PARTS N12650- (M)	24-12
01-0025	GASKET SETS	28-02
01-0026	GASKET SETS	28-04
01-0027	ENGINE REPAIR KIT AND BEARING	28-06
01-0028	ADJUSTING PLATE FOR INJECTOR	28-08
01-0029	AIR INLET, TAKEN UP (OPTIONAL EQUIPMENT) -2004	29-08
01-0030	AIR INLET, TAKEN UP (OPTIONAL EQUIPMENT) 2005-	1717239
01-0031	ENGINE HEATER (OPTIONAL EQUIPMENT)	29-10

T150 TRACTOR (T SERIES)
SPIMG-005-21-02

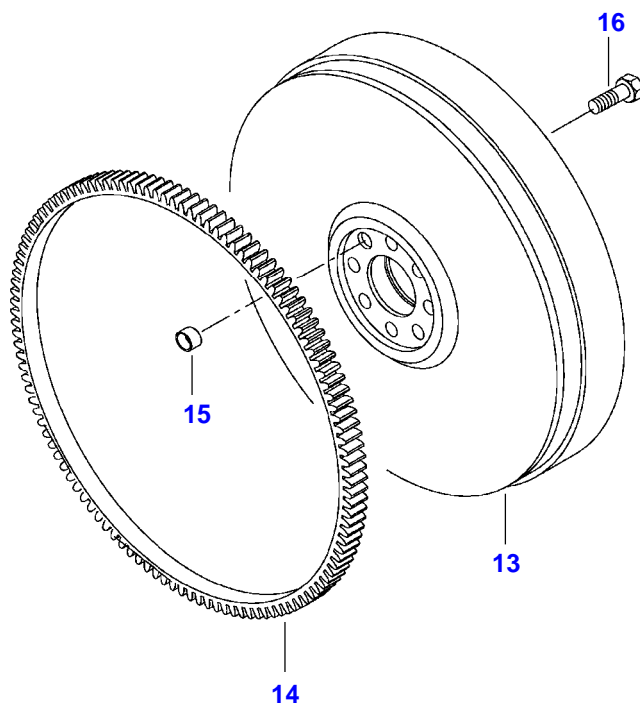
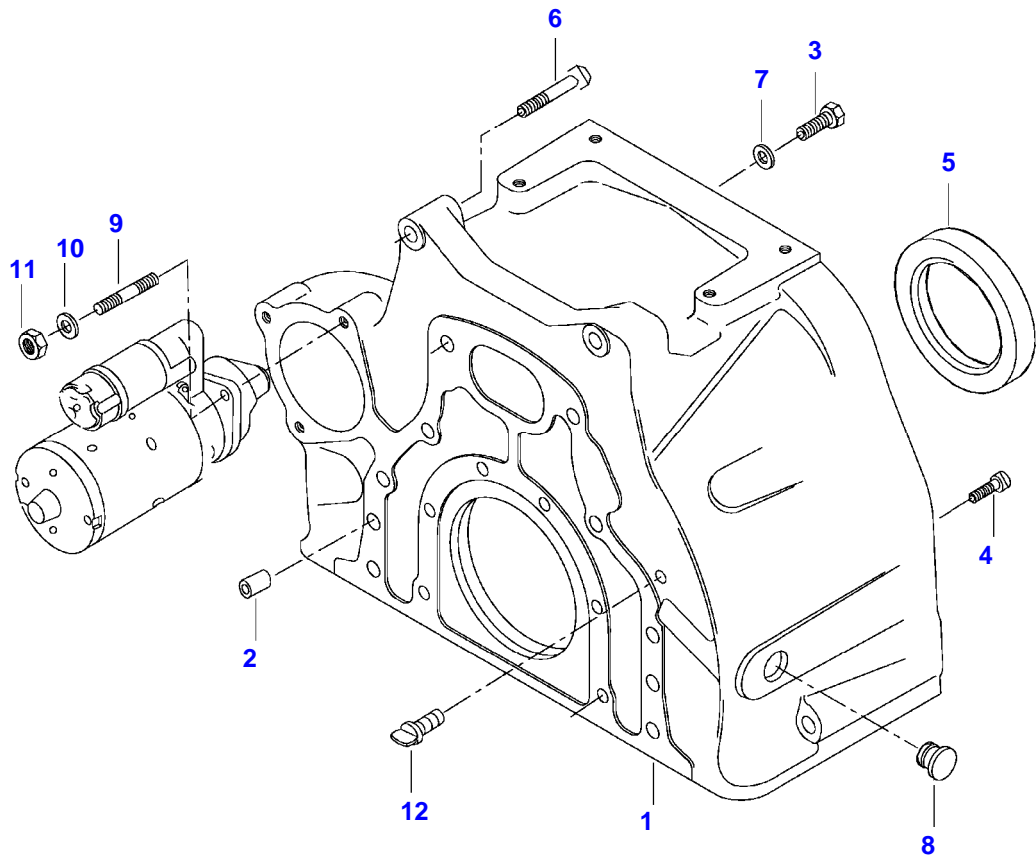


T160-T190

Item	Part Number	Qty	Description Comments
1	V836866110	1	CYLINDER BLOCK
2	V836866069	1	CAMSHAFT BEARING BUSHING
3	NS	6	NON-SERVICEABLE PART
4	V836214478	12	BEARING COVER GUIDE SLEEVE
5	NS	1	NON-SERVICEABLE PART
6	V836214478	2	BEARING COVER GUIDE SLEEVE
7	V835329030	14	HEX CAP SCREW
8	V836852460	2	CAMSHAFT BEARING BUSHING
9	V836852459	1	CAMSHAFT BEARING BUSHING
10	V836852461	1	CAMSHAFT BEARING BUSHING
11	V836666990	6	LINER
12	V836647502	12	CYLINDER LINER O-RING S2
13	V836647503	6	CYLINDER LINER O-RING S2
14	V640016016	4	CUP PLUG S2
15	V836852744	1	PLUG
16	V640016040	2	CUP PLUG
17	V640325110	3	SCREW PLUG
18	V615571014	3	SEALING WASHER S2
50	V836866613	1	SENSOR N12650-(M)
20	V528801380	4	HEX CAP SCREW M8 X 20
21	V836847994	1	FLANGE
22	V836322852	1	GASKET S2
23	V836847596	1	ENGINE BLOCK HEATER
25	V640045112	1	PLUG
26	V615881216	1	SEALING WASHER S2
27	V640025010	1	PLUG
28	V640016018	3	CUP PLUG
29	V640325018	2	PLUG
30	V615881822	2	SEALING WASHER S2
31	V836019756	1	PLUG
51	V836664377	1	DRAIN VALVE
32	V836129747	1	OIL DIPSTICK GUIDE PIPE
33	V615881824	1	SEALING WASHER S2
34	V640045112	6	PLUG
35	V836659543	1	COVER
	V836866957	1	COVER N14052-
36	V836659544	1	GASKET S2
	V836866958	1	GASKET N14052-
37	V528801362	4	HEX CAP SCREW M8 X 16
38	V836346012	1	ENGINE MOUNT LEFT

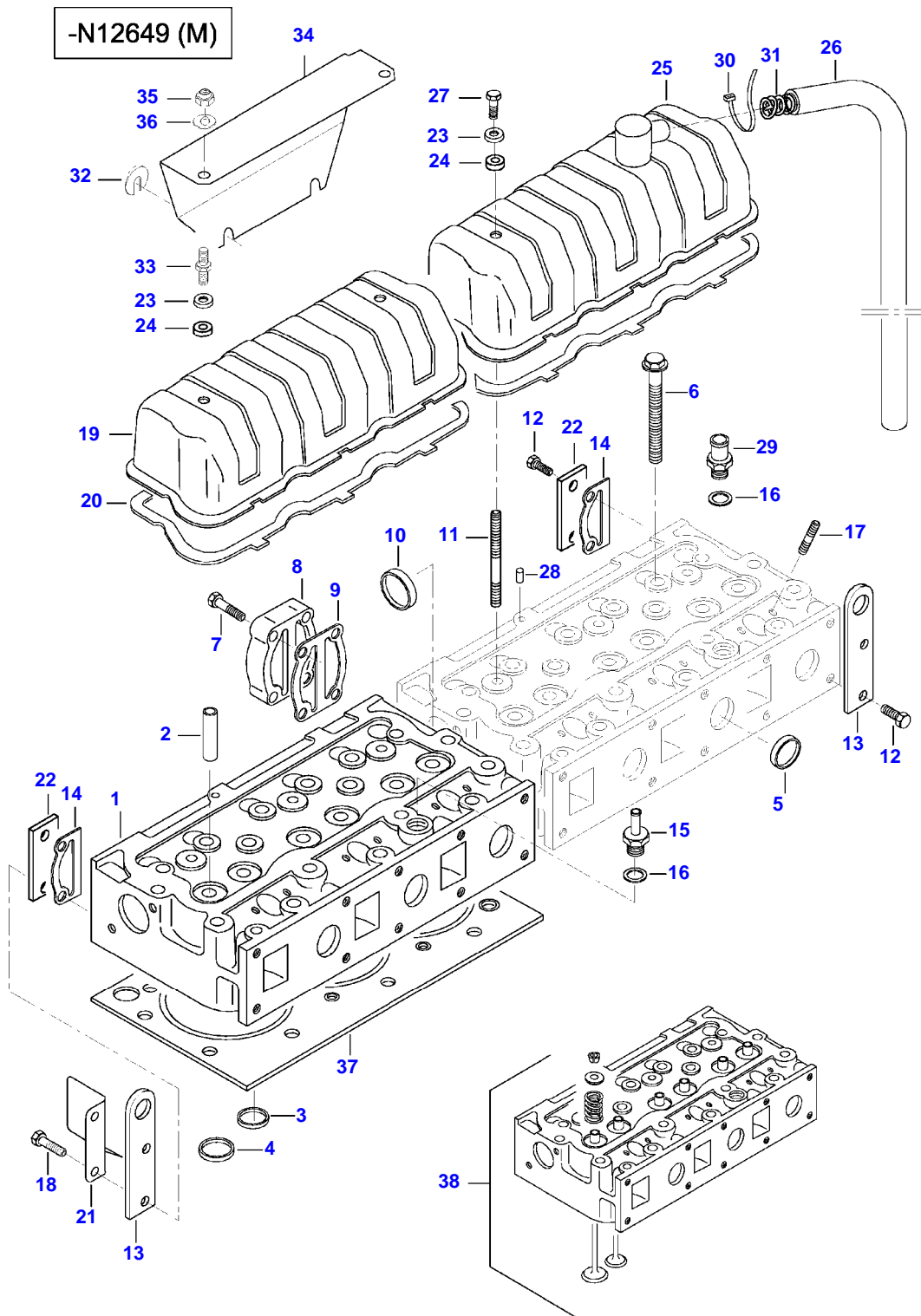
Item	Part Number	Qty	Description Comments
	V836346013	1	ENGINE MOUNT RIGHT
39	V581705850	4	HEX SOCKET SCREW M14 X 40
40	V581705890	2	HEX SOCKET SCREW M14 X 60
41	V528801400	2	HEX CAP SCREW M8 X 25
43	V528803010	2	HEX CAP SCREW M14 X 60
46	V836866872	1	SUPPORT
48	V836866392	1	SPEED SENSOR N12650-(M)
49	V614601524	1	O-RING N12650-(M)
	V836840237	1	ENGINE GASKET KIT S1
	V836840238	1	ENGINE GASKET KIT S1+S2

T150 TRACTOR (T SERIES)
SPIMG-005-21-04



Item	Part Number	Qty	Description Comments
1	V836666482	1	FLYWHEEL HOUSING
2	V598359850	2	PIN
3	V528702220	8	HEX CAP SCREW M12 X 35
4	V581705030	6	HEX SOCKET SCREW M10 X 30
5	V614500002	1	CRANKSHAFT SEAL S2
6	V581705490	2	HEX SOCKET SCREW M12 X 60
7	V500951200	8	SPRING WASHER
8	V836007572	1	RUBBER PLUG
9	V546801800	3	STUD BOLT M10 X 25
10	V500951000	3	SPRING WASHER
11	V504601000	3	NUT M10
12	V836859311	1	PLUG
13	V836659990	1	FLYWHEEL
14	V835328783	1	STARTER RING
15	V836659527	1	GUIDE SLEEVE WITHOUT CR-ENGINE
16	V529702250	8	HEX CAP SCREW 150 NM

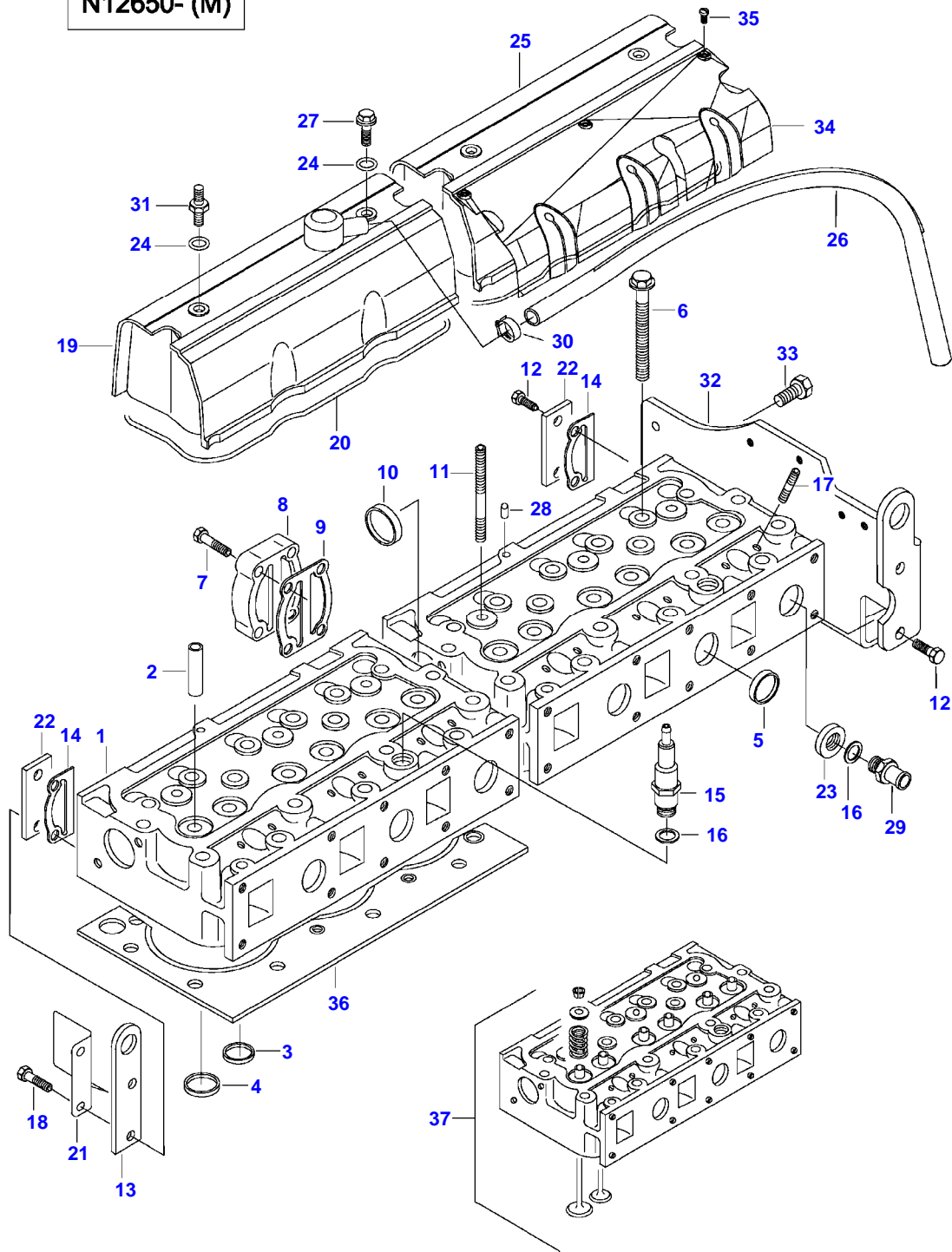
T150 TRACTOR (T SERIES)
SPIMG-005-21-06



Item	Part Number	Qty	Description Comments
			-N12649 (M)
1	NS	2	NON-SERVICEABLE PART CYLINDER HEAD
2	V836673175	12	VALVE GUIDE
3	V836647600	6	VALVE SEAT
5	V836647942	10	EXHAUST CUP PLUG
6	V836859104	34	HEXAGON FLANGE BOLT
7	V528801830	4	HEX CAP SCREW M10 X 40
8	V836855348	1	CONNECTION FLANGE
9	V836867390	1	GASKET S1
10	V640016045	1	CUP PLUG
11	V546801900	4	STUD BOLT M10 X 75
12	V528801800	4	HEX CAP SCREW M10 X 25
13	V836855349	2	LIFT EYE
14	V836867391	2	GASKET S1
15	V836659058	1	CONNECTOR
16	V615881822	2	SEALING WASHER S1
17	V546901435	12	STUD BOLT
18	V528801820	2	HEX CAP SCREW M10 X 35
19	V836846448	1	VALVE ROCKER COVER
20	V836646360	2	VALVE ROCKER COVER GASKET S1
21	V836666199	1	HEAT SHIELD
22	V836855350	2	BLOCK OFF PLATE
23	V836119855	4	WASHER
24	V836012841	4	RUBBER BUSHING S1
27	V528801780	2	HEX CAP SCREW M10 X 20
28	V595959140	2	PIN
29	V836119837	1	HOSE COUPLER
30	V835329746	1	CABLE TIE
32	V836864223	2	LOCK RING
33	V836659175	2	STUD BOLT
34	V836866843	1	HEAT SHIELD
35	V510601002	2	NUT M10
36	V500151050	2	WASHER
37	V836666302	2	CYLINDER HEAD GASKET S1
38	V836873284	1	CYLINDER HEAD FRONT
	V836873285	1	CYLINDER HEAD REAR

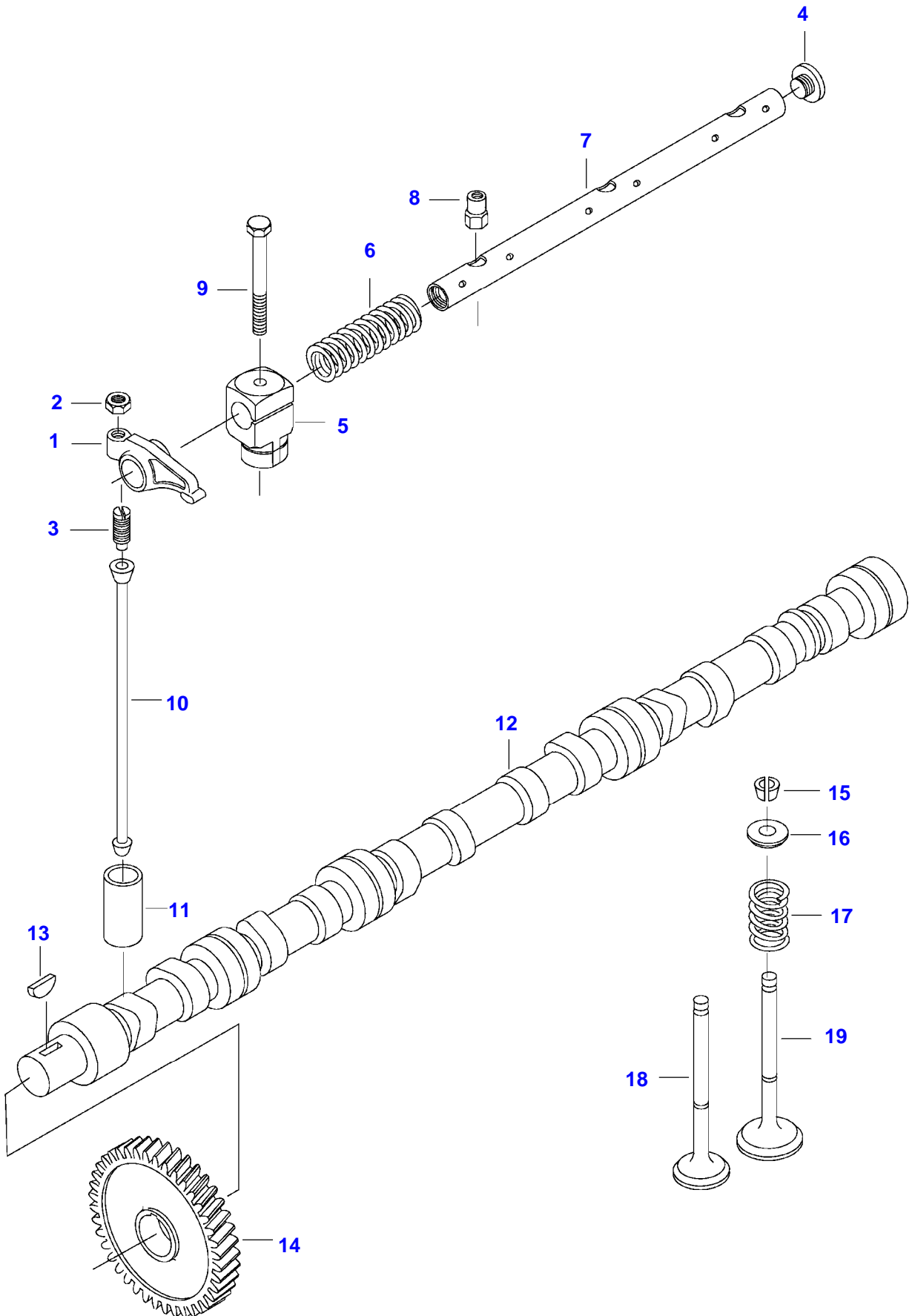
T150 TRACTOR (T SERIES)
SPIMG-005-21-06A

N12650- (M)



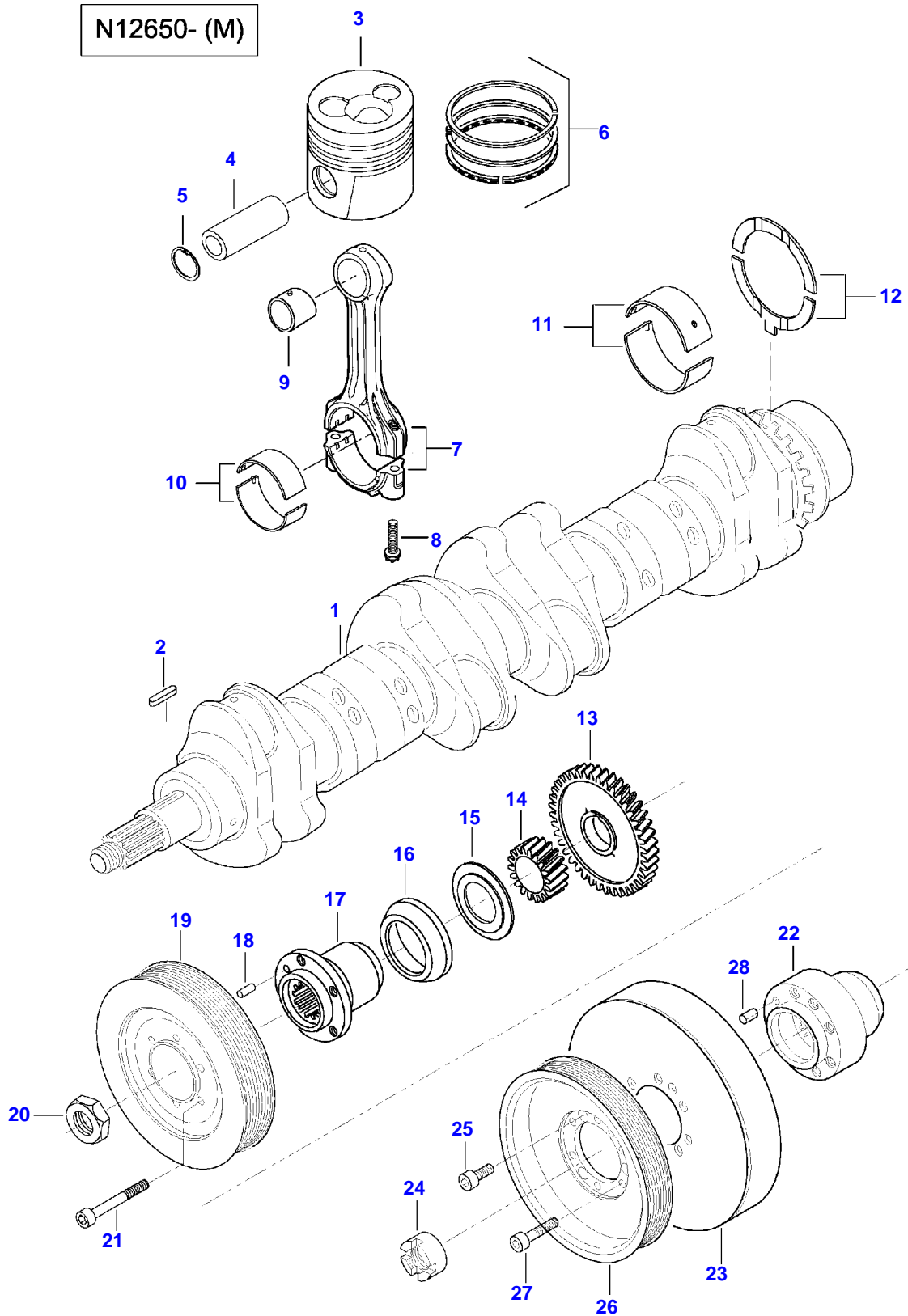
Item	Part Number	Qty	Description Comments
N12650- (M)			
1	NS	2	NON-SERVICEABLE PART CYLINDER HEAD
2	V836673175	12	VALVE GUIDE
3	V836647600	6	VALVE SEAT
5	V836647942	10	EXHAUST CUP PLUG
6	V836859104	34	HEXAGON FLANGE BOLT
7	V528801830	4	HEX CAP SCREW M10 X 40
8	V836855348	1	CONNECTION FLANGE
9	V836867390	1	GASKET S1
10	V640016045	1	CUP PLUG
11	V546801900	4	STUD BOLT M10 X 75
12	V528801800	4	HEX CAP SCREW M10 X 25
13	V836855349	2	LIFT EYE
14	V836867391	2	GASKET S1
15	V836666989	1	HOSE COUPLER
16	V615881822	2	SEALING WASHER S1
17	V546901435	12	STUD BOLT
18	V528801820	2	HEX CAP SCREW M10 X 35
19	V836667206	1	VALVE COVER
20	V836667243	2	VALVE ROCKER COVER GASKET S1
21	V836666199	1	HEAT SHIELD
22	V836855350	2	BLOCK OFF PLATE
23	V836667103	1	UNION
24	V614901030	4	O-RING S1
26	V836755007	1	RUBBER HOSE
27	V540801780	3	HEXAGON FLANGE BOLT M10 X 20
28	V595959140	2	PIN
29	V836119837	1	HOSE COUPLER
30	V602088532	1	HOSE CLIP
31	V836667033	1	STUD BOLT
32	V836767031	1	SUPPORT
33	V528803010	1	HEX CAP SCREW M16 X 30
34	V836666813	2	SHIELD
35	V572503362	6	SCREW M5 X 10
36	V836666302	2	CYLINDER HEAD GASKET S1
37	V836873284	1	CYLINDER HEAD FRONT
	V836873285	1	CYLINDER HEAD REAR

T150 TRACTOR (T SERIES)
SPIMG-005-21-08



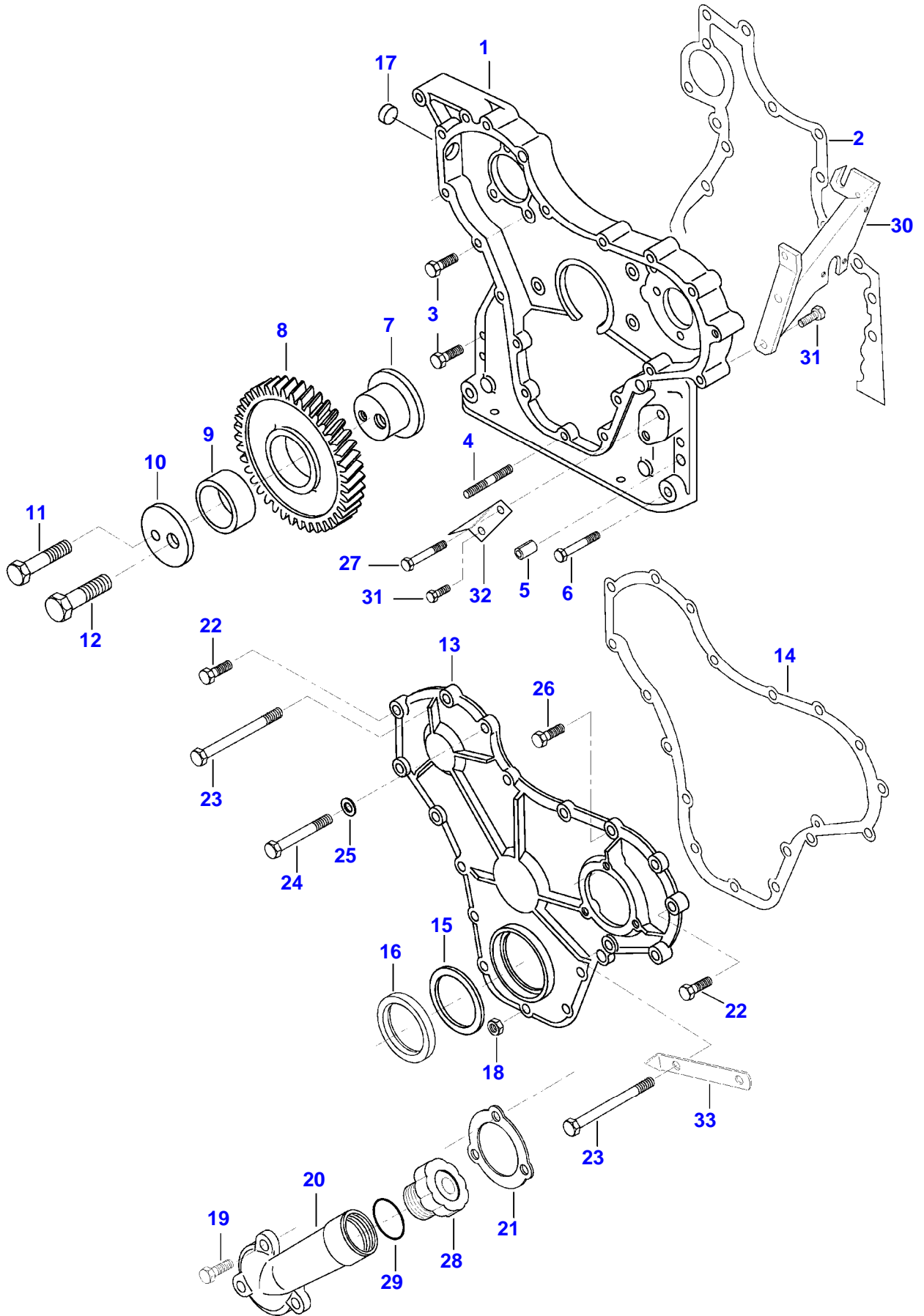
Item	Part Number	Qty	Description Comments
	V836667043	2	ROCKER SHAFT ASM ASSEMBLY
1	V836666608	12	ROCKER ARM . -S12222 (M)
	V836667042	12	ROCKER ARM . S12223- (M)
2	V512861000	12	NUT
3	V836655866	12	ADJUSTING SCREW .. -S12222 (M)
	V837069023	12	VALVE ROCKER ADJUSTMENT SCREW .. S12223- (M)
4	V836655899	4	PLUG . -S12222 (M)
	V837069020	4	PLUG . S12223- (M)
5	V836666609	6	BRACKET
6	V836655884	4	SPRING
7	V836655870	2	SHAFT .
8	V836655406	4	SLEEVE NUT
9	V529801910	2	HEX CAP SCREW M10 X 80
10	V836655867	12	PUSHROD
11	V836014264	12	TAPPET
12	V836866054	1	CAMSHAFT
13	V603305760	1	WOODRUFF KEY
14	V836646389	1	GEAR,CAMSHAFT
15	V836646382	24	COTTER
16	V836646381	12	WASHER
17	V836646380	12	SPRING
18	V836646357	6	EXHAUST VALVE
19	V836646356	6	INTAKE VALVE

T150 TRACTOR (T SERIES)
SPIMG-005-21-12A



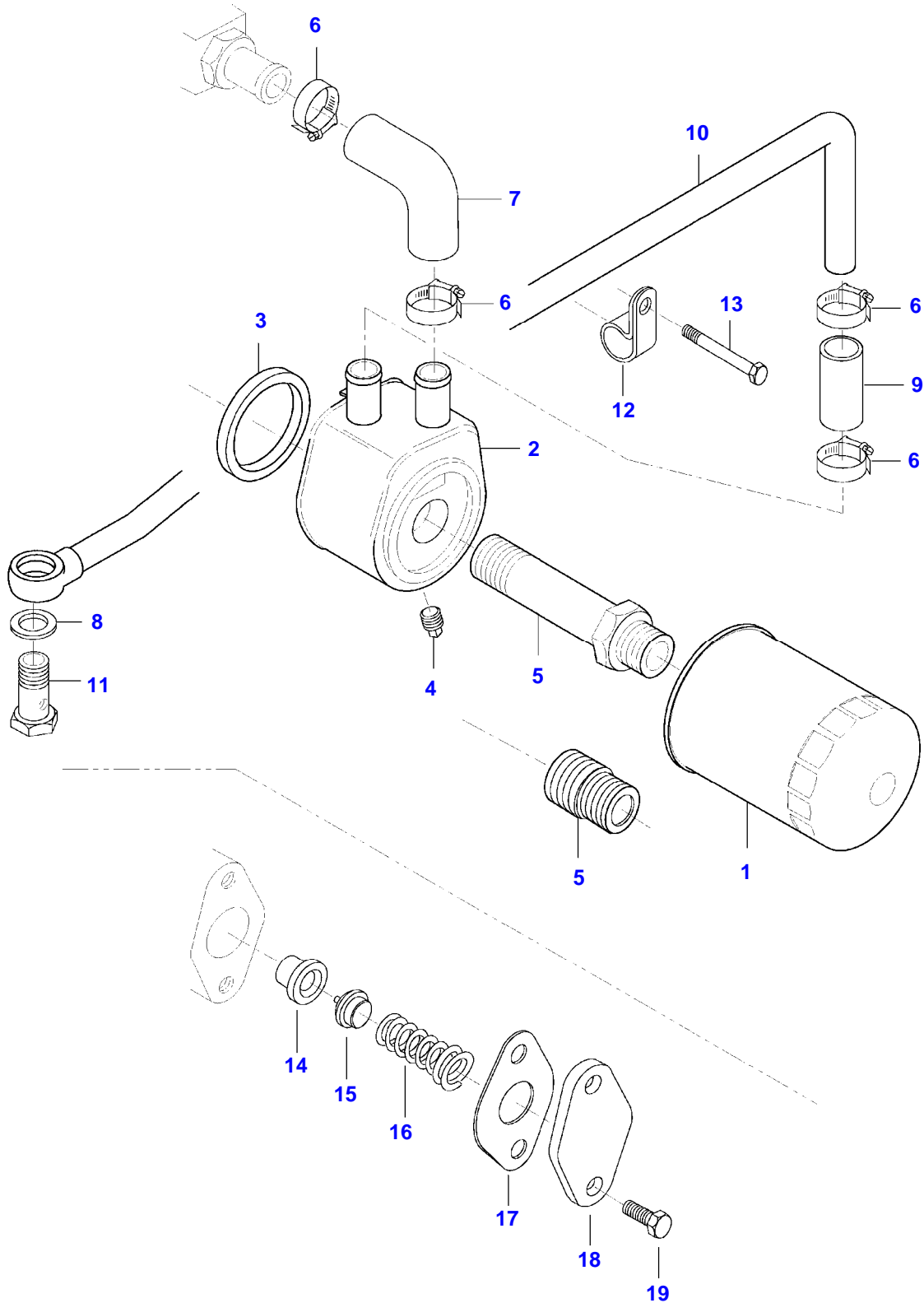
Item	Part Number	Qty	Description Comments	Technical Specification
N12650- (M)				
2	V603345110	1	KEY	
4	NS	6	NON-SERVICEABLE PART PISTON PIN	
5	NS	12	NON-SERVICEABLE PART CIRCLIP	
4	NS	6	NON-SERVICEABLE PART PISTON PIN	
5	NS	12	NON-SERVICEABLE PART CIRCLIP	
4	NS	6	NON-SERVICEABLE PART PISTON PIN	
5	NS	12	NON-SERVICEABLE PART CIRCLIP	
	V836840928	1	CONNECTING ROD KIT REF. 7, 8, 9	
7	NS	6	NON-SERVICEABLE PART CONNECTING ROD 1935-1954 G, F	
	NS	6	NON-SERVICEABLE PART CONNECTING ROD 1955-1974 G, V	
	NS	6	NON-SERVICEABLE PART CONNECTING ROD 1975-1994 G, X	
	NS	6	NON-SERVICEABLE PART CONNECTING ROD 1995-2014 G, Y	
	NS	6	NON-SERVICEABLE PART CONNECTING ROD 2015-2034 G, W	
	NS	6	NON-SERVICEABLE PART CONNECTING ROD 2035-2054 G, Z	
8	V836864141	12	CONNECTING ROD BOLT	
9	V836110646	6	BEARING BUSH	STD
10	V836110552	6	BEARING SHELL SEE PAGE 01-0027	
11	V836655514	7	MAIN BEARING SEE PAGE 01-0027	
12	V836119459	2	THRUST WASHER SEE PAGE 01-0027	
13	V836119550	1	GEAR,CRANKSHAFT	
14	V836122840	1	GEAR,CRANKSHAFT	
15	V836129781	1	RING	
16	V836136271	1	SHIELD -P10815	

T150 TRACTOR (T SERIES)
SPIMG-005-21-14



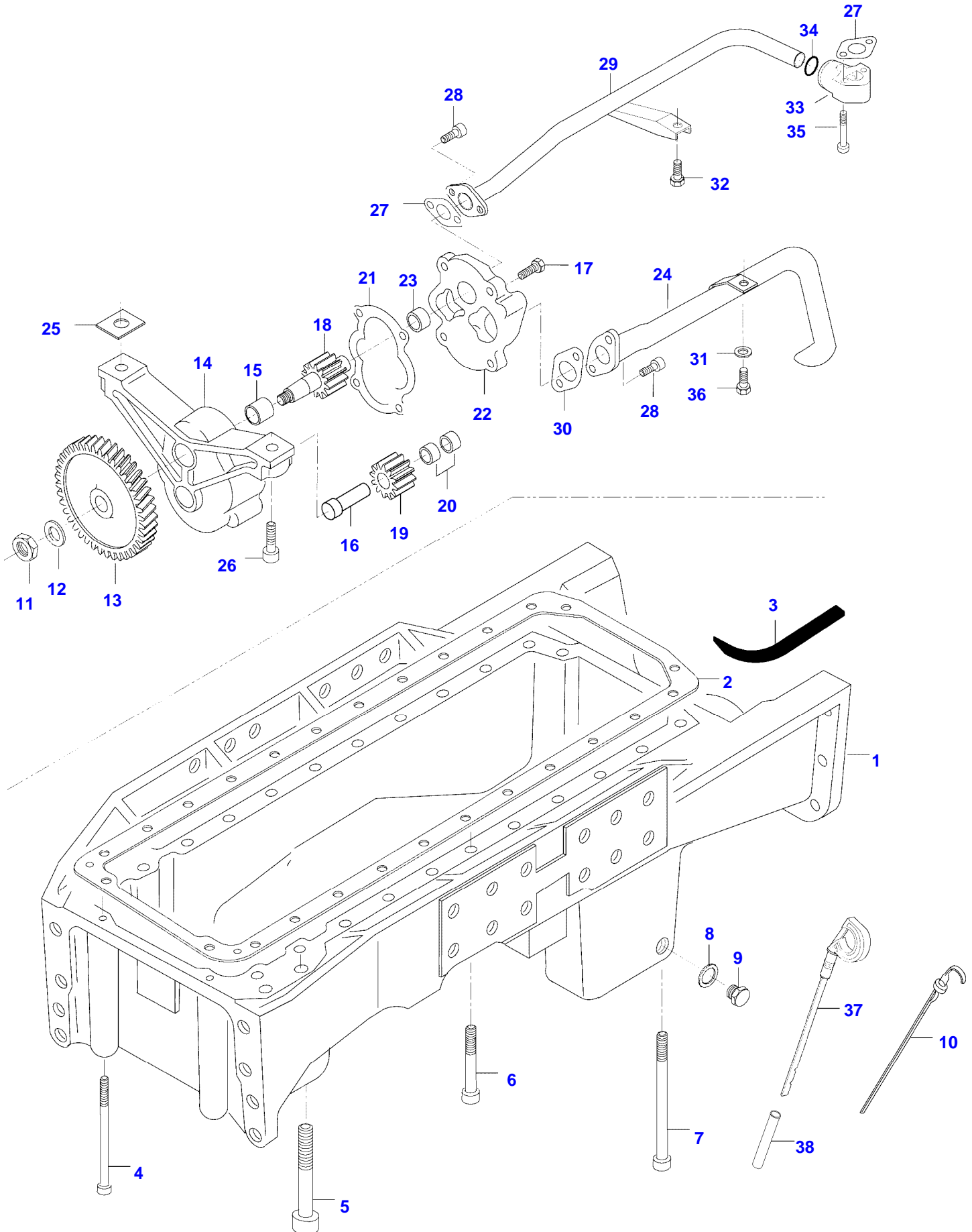
Item	Part Number	Qty	Description Comments	Technical Specification
1	V836666400	1	TIMING GEAR CASE N12650-S9538(M)	
	V836667947	1	TIMING GEAR CASE S9539- (M)	
2	V836647419	1	GASKET S2	
	VUK0182	1	GASKET SEALPASTE S9539- (M)	250ML
3	V528801400	9	HEX CAP SCREW M8 X 25	
4	V546801380	5	STUD BOLT M8 X 20	
5	V598359850	4	PIN	
6	V529801440	2	HEX CAP SCREW M8 X 45	
7	V836129709	1	SHAFT	
8	V836129863	1	IDLER GEAR	
9	V836129844	1	BEARING BUSH	
10	V836129845	1	FLANGE	
11	V528801860	1	HEX CAP SCREW M10 X 55	
12	V529902680	1	HEX CAP SCREW M14 X 65	
13	V836647572	1	GEAR HOUSING FRONT COVER	
14	V836129942	1	GASKET S2	
	VUK0182	1	GASKET SEALPASTE S9539- (M)	250ML
15	V836129782	1	COVER	
16	V614105880	1	OIL SEAL S2	
17	V640016016	1	CUP PLUG	
18	V504800800	5	NUT M8	
19	V528801380	3	HEX CAP SCREW M8 X 20	
20	V836746921	1	PIPE	
21	V836129946	1	GASKET S2	
22	V528801420	3	HEX CAP SCREW M8 X 35	
23	V529801500	2	HEX CAP SCREW M8 X 75	
24	V529801470	3	HEX CAP SCREW M8 X 60	
25	V836120989	1	WASHER	
26	V528801400	2	HEX CAP SCREW M8 X 25	
27	V529801450	1	HEX CAP SCREW M8 X 50	
28	V836338733	1	OIL FILLER CAP	
29	V614604740	1	O-RING	
30	V836664528	1	THROTTLE SENSOR BRACKET	
31	V528801362	3	HEX CAP SCREW M8 X 16	
32	V836652318	1	TIMING MARK INDICATOR N12650- (M)	

T150 TRACTOR (T SERIES)
SPIMG-005-21-16



Item	Part Number	Qty	Description Comments
1	V836662580	1	ENGINE OIL FILTER
2	V836859699	1	OIL COOLER
3	V836862235	1	SEAL
			.
4	V836131366	1	PLUG
			.
5	V836859700	1	UNION
6	V602079516	4	HOSE CLIP
7	V836859899	1	RUBBER ELBOW
8	V615881822	2	SEALING WASHER S2
9	V836129978	1	RUBBER HOSE
10	V836847929	1	PIPE
11	V640435015	1	BANJO BOLT
12	V602074615	1	RETAINER CLAMP
13	V529801480	1	HEX CAP SCREW M8 X 65
	V836662129	1	OIL PRESSURE CONTROL VALVE
14	V836659521	1	VALVE SEAT
			.
15	V836659522	1	VALVE CONE
			.
16	V836659523	1	SPRING
			.
17	V836322190	1	GASKET
			.
			S2
18	V836659524	1	COVER
			.
19	V528801380	2	HEX CAP SCREW M8 X 20

T150 TRACTOR (T SERIES)
SPIMG-013-21-16



Item	Part Number	Qty	Description Comments
1	V836855501	1	OIL SUMP
2	V836322183	1	OIL SUMP GASKET S2
3	V836129727	2	GASKET S2
4	V581704830	2	HEX SOCKET SCREW M8 X 160
5	V581706350	4	HEX SOCKET SCREW M16 X 90
6	V581705130	22	HEX SOCKET SCREW M10 X 80
7	V581705250	2	HEX SOCKET SCREW M10 X 180
8	V615881827	1	SEALING WASHER S2
9	V836655493	1	PLUG
10	V836847652	1	DIPSTICK -XX
37	V836666908	1	DIPSTICK ORANGE XX-
38	V836666910	1	OIL DIPSTICK GUIDE PIPE XX-
11	V836855300	1	LUBRICATING OIL PUMP
11	V504861000	1	NUT . M10
12	V836122910	1	WASHER .
13	V836338667	1	GEAR .
14	V836338186	1	FRAME .
15	V836322909	1	BUSHING ..
16	V836322906	1	OIL PUMP SHAFT ..
17	V528801380	4	HEX CAP SCREW . M8 X 20
18	V836338182	1	OIL PUMP SHAFT .
19	V836338180	1	GEAR,OIL PUMP .
20	V836322909	2	BUSHING ..
21	V836338188	1	GASKET . S2
22	V836855297	1	COVER .
23	V836322909	1	BUSHING ..
24	V836859670	1	PIPE
25	V836007871	X	SHIM
26	V581805050	2	HEX SOCKET SCREW M10 X 40
27	V836008449	2	GASKET S2
28	V581804600	4	HEX SOCKET SCREW M8 X 20
29	V836866569	1	OIL PIPE
30	V836338201	1	GASKET S2
31	V500150840	1	WASHER

Item	Part Number	Qty	Description Comments
32	V528801360	1	HEX CAP SCREW M8 X 16
33	V836866563	1	ADAPTER FLANGE
34	V614702230	1	O-RING
35	V581804680	2	HEX SOCKET SCREW M8 X 55
36	V528801400	1	HEX CAP SCREW M8 X 25

Thank you so much for reading.
Please click the “Buy Now!”
button below to download the
complete manual.



After you pay.

You can download the most
perfect and complete manual in
the world immediately.

Our support email:

ebooklibonline@outlook.com