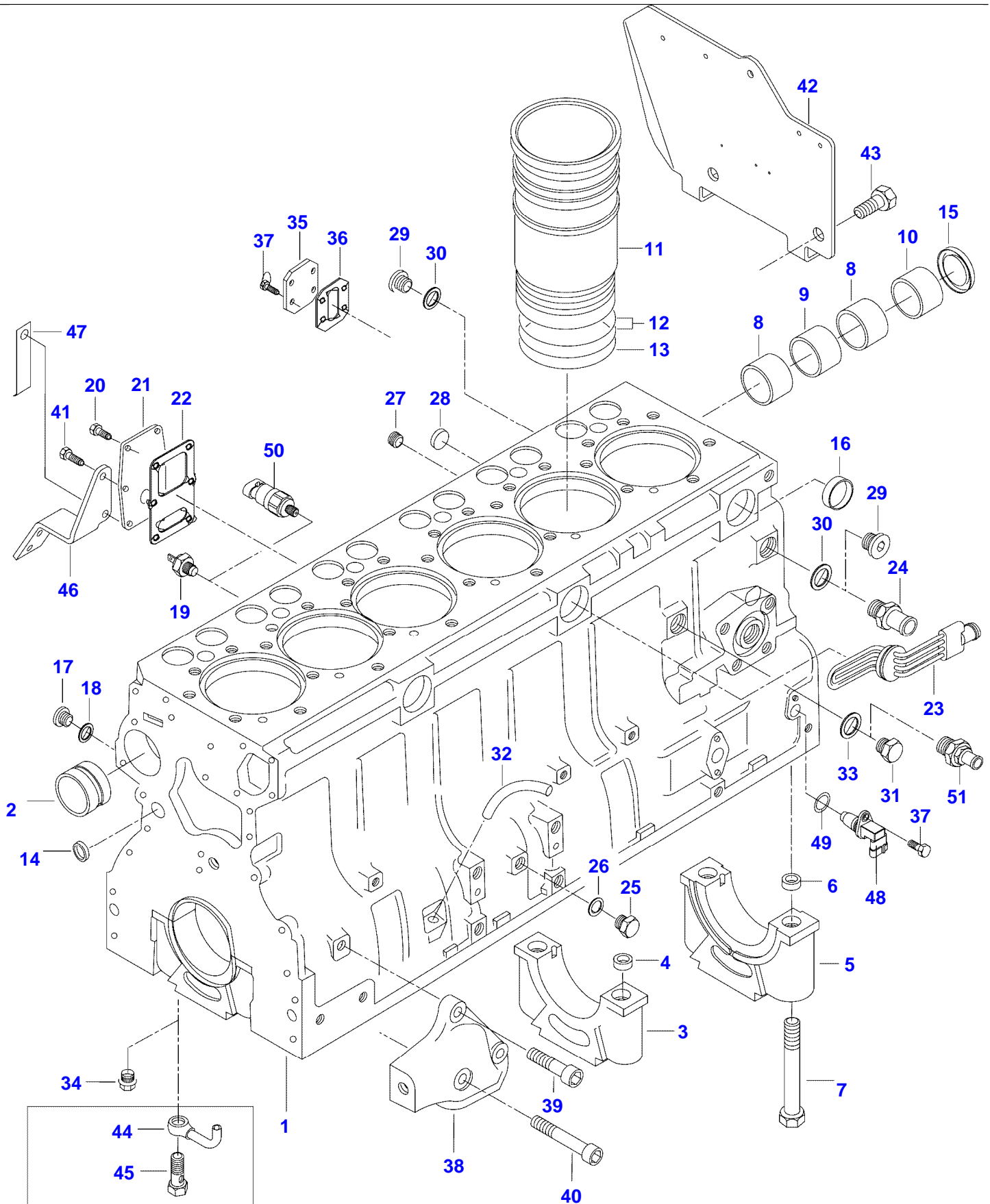


Page Number	Page Title	Page Reference
01-000-TOC	ENGINE, FUEL AND EXHAUST SYSTEM	01-000-TOC
02-000-TOC	AXLES	02-000-TOC
03-000-TOC	STEERING SYSTEM	03-000-TOC
04-000-TOC	DRIVE TRAIN SYSTEM	04-000-TOC
05-000-TOC	BRAKE SYSTEM	05-000-TOC
06-000-TOC	COMPRESSED AIR SYSTEM	06-000-TOC
07-000-TOC	HYDRAULIC SYSTEM	07-000-TOC
08-000-TOC	ELECTRICAL SYSTEM	08-000-TOC
09-000-TOC	CAB	09-000-TOC
10-000-TOC	AIR CONDITIONING AND HEATING SYSTEM	10-000-TOC
11-000-TOC	CHASSIS	11-000-TOC
12-000-TOC	DECALS	12-000-TOC
13-000-TOC	WHEELS	13-000-TOC
14-000-TOC	IMPLEMENT DRIVE SYSTEM	14-000-TOC
15-000-TOC	IMPLEMENT LIFT SYSTEM FRONT	15-000-TOC
16-000-TOC	IMPLEMENT LIFT SYSTEM REAR	16-000-TOC
17-000-TOC	FRONT/REAR LOADERS	17-000-TOC
18-000-TOC	PRECISION FARMING SYSTEMS	18-000-TOC
19-000-TOC	ATTACHMENTS	19-000-TOC
20-000-TOC	GENERAL INFORMATION	20-000-TOC

Page Number	Page Title	Page Reference
01-0001	CYLINDERBLOCK	21-02
01-0002	CYLINDERBLOCK CR-ENGINE R14850-(M)	21-02A
01-0003	FLYWHEEL AND HOUSING	21-04
01-0004	CYLINDER HEAD -N12649 (M)	21-06
01-0005	CYLINDER HEAD N12650- (M)	21-06A
01-0006	CYLINDER HEAD CR-ENGINE R14850-(M)	21-06B
01-0007	VALVE MECHANISM	21-08
01-0008	VALVE MECHANISM CR-ENGINE R14850-(M)	21-08A
01-0009	CRANK MECHANISM -N12649 (M)	21-10
01-0010	CRANK MECHANISM N12650- (M)	21-12A
01-0011	CRANK MECHANISM CR-ENGINE R14850-(M)	21-12B
01-0012	GEAR HOUSING	21-14
01-0013	GEAR HOUSING CR-ENGINE R14850-(M)	21-14A
01-0014	OIL FILTER	21-16
01-0015	OIL FILTER CR-ENGINE R14850-(M)	21-16A
01-0016	OIL SUMP	1712624
01-0017	AIR CLEANER	21-20
01-0018	INTAKE- AND EXHAUST PIPE -N12649 (M)	21-22
01-0019	INTAKE- AND EXHAUST PIPE N12650- (M)	21-22A
01-0020	INTAKE- AND EXHAUST PIPE CR-ENGINE R14850-(M)	21-22B
01-0021	INTERCOOLER	21-24
01-0022	PILLAR EXHAUST PIPE	21-26
01-0023	PILLAR EXHAUST PIPE CR-ENGINE R14850-(M)	21-26A
01-0024	TURBOCHARGER	21-28
01-0025	TURBOCHARGER CR-ENGINE R14850-(M)	21-30
01-0026	FUEL FILTER -N12649 (M)	22-02
01-0027	FUEL FILTER N12650-(M)	22-04
01-0028	FUEL FILTER CR-ENGINE R14850-(M)	22-04A
01-0029	FUEL PIPES	22-06
01-0030	INJECTION PUMP -N12649 (M)	22-08
01-0031	INJECTION PUMP N12650-(M)	22-12
01-0032	INJECTION PUMP CR-ENGINE R14850-(M)	22-12A
01-0033	SPEED LEVERS -N12649 (M)	22-14

Page Number	Page Title	Page Reference
01-0034	SPEED LEVERS N12650- (M)	22-16
01-0035	RADIATOR -N28115	23-02
01-0036	RADIATOR N28116-	23-02A
01-0037	COOLANT PUMP	23-04
01-0038	COOLANT PUMP CR-ENGINE R14850-(M)	23-06
01-0039	STARTERMOTOR -N17488 (M)	24-02
01-0040	STARTERMOTOR N17489- (M)	24-02A
01-0041	ALTERNATOR -N12649 (M)	24-04
01-0042	ALTERNATOR N12650- (M)	24-06A
01-0043	ALTERNATOR CR-ENGINE R14850-(M)	24-06B
01-0044	WIRING SET, ENGINE -N12649 (M)	24-08
01-0045	EEM PARTS N12650- (M)	24-12
01-0046	EEM3 PARTS CR-ENGINE R14850-(M)	24-14
01-0047	WIRING SET, ENGINE CR-ENGINE R14850-(M)	24-16
01-0048	GASKET SETS	28-02
01-0049	GASKET SETS	28-04
01-0050	ENGINE REPAIR KIT AND BEARING	28-06
01-0051	ENGINE REPAIR KIT AND BEARING CR ENGINE R14850-(M)	28-06A
01-0052	ADJUSTING PLATE FOR INJECTOR	28-08
01-0053	AIR INLET, TAKEN UP (OPTIONAL EQUIPMENT) -2004	29-08
01-0054	AIR INLET, TAKEN UP (OPTIONAL EQUIPMENT) 2005-	1717240
01-0055	ENGINE HEATER (OPTIONAL EQUIPMENT)	29-10

T160 TRACTOR (T SERIES)
SPIMG-005-21-02

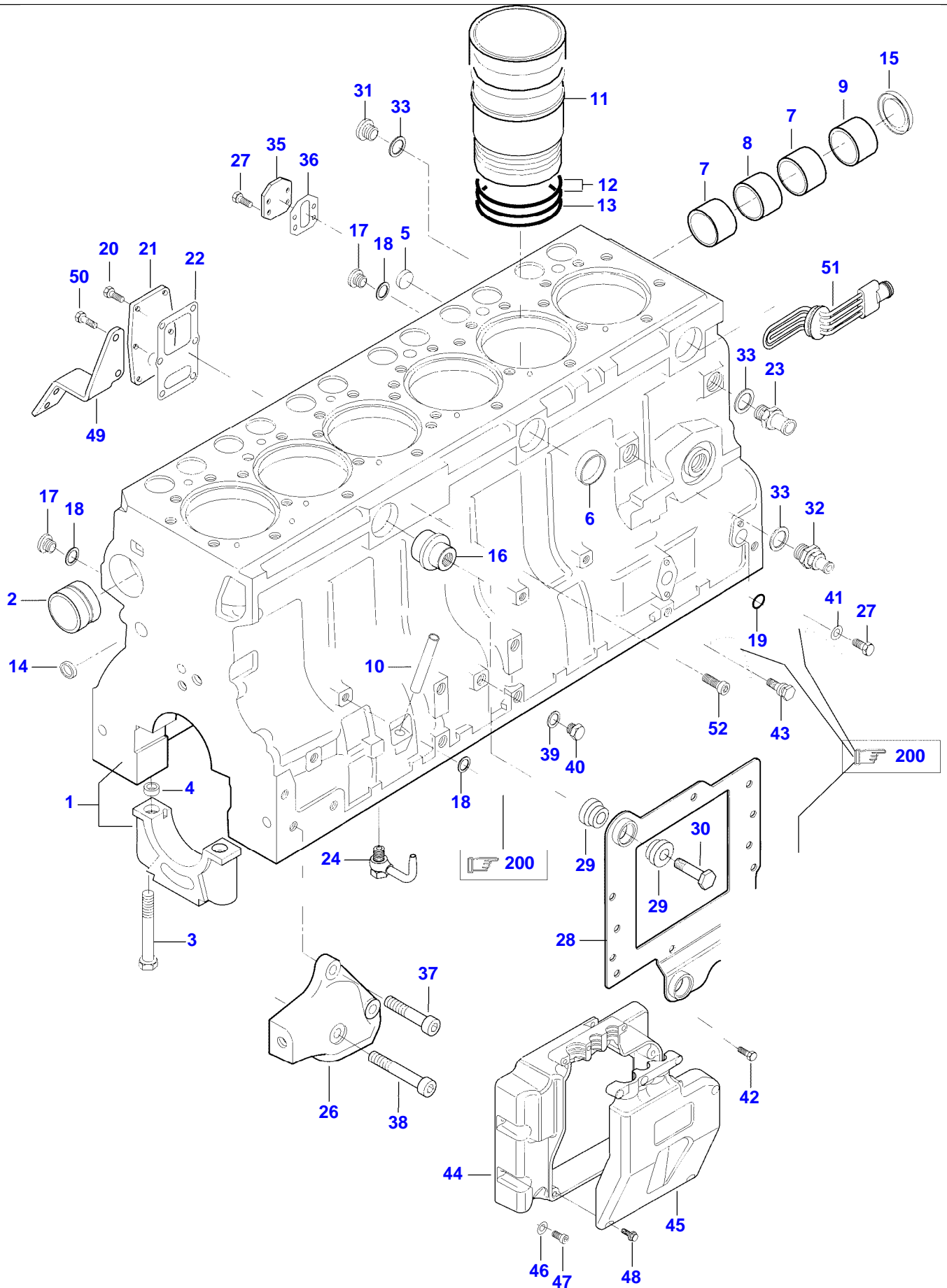


T160-T190

Item	Part Number	Qty	Description Comments
1	V836866110	1	CYLINDER BLOCK
2	V836866069	1	CAMSHAFT BEARING BUSHING
3	NS	6	NON-SERVICEABLE PART
4	V836214478	12	BEARING COVER GUIDE SLEEVE
5	NS	1	NON-SERVICEABLE PART
6	V836214478	2	BEARING COVER GUIDE SLEEVE
7	V835329030	14	HEX CAP SCREW
8	V836852460	2	CAMSHAFT BEARING BUSHING
9	V836852459	1	CAMSHAFT BEARING BUSHING
10	V836852461	1	CAMSHAFT BEARING BUSHING
11	V836666990	6	LINER
12	V836647502	12	CYLINDER LINER O-RING S2
13	V836647503	6	CYLINDER LINER O-RING S2
14	V640016016	4	CUP PLUG S2
15	V836852744	1	PLUG
16	V640016040	2	CUP PLUG
17	V640325110	3	SCREW PLUG
18	V615571014	3	SEALING WASHER S2
19	V887283760	1	PRESSURE SWITCH -N12649 (M)
50	V836866613	1	SENSOR N12650-(M)
20	V528801380	4	HEX CAP SCREW M8 X 20
21	V836847994	1	FLANGE
22	V836322852	1	GASKET S2
23	V836847596	1	ENGINE BLOCK HEATER
24	V836119837	1	HOSE COUPLER
25	V640045112	1	PLUG
26	V615881216	1	SEALING WASHER S2
27	V640025010	1	PLUG
28	V640016018	3	CUP PLUG
29	V640325018	2	PLUG
30	V615881822	2	SEALING WASHER S2
31	V836019756	1	PLUG
51	V836664377	1	DRAIN VALVE
32	V836129747	1	OIL DIPSTICK GUIDE PIPE
33	V615881824	1	SEALING WASHER S2
34	V640045112	6	PLUG
35	V836659543	1	COVER
	V836866957	1	COVER N14052-
36	V836659544	1	GASKET S2
	V836866958	1	GASKET N14052-

Item	Part Number	Qty	Description Comments
37	V528801362	4	HEX CAP SCREW M8 X 16
38	V836346012	1	ENGINE MOUNT LEFT
	V836346013	1	ENGINE MOUNT RIGHT
39	V581705850	4	HEX SOCKET SCREW M14 X 40
40	V581705890	2	HEX SOCKET SCREW M14 X 60
41	V528801400	2	HEX CAP SCREW M8 X 25
42	V836866761	1	SUPPORT -N12649 (M)
43	V528803010	2	HEX CAP SCREW M14 X 60
44	V836846231	6	PIPE -N12649 (M)
45	V836338601	6	PRESSURE VALVE
46	V836866872	1	SUPPORT
47	V836083428	1	CABLE TIE -N12649 (M)
48	V836866392	1	SPEED SENSOR N12650-(M)
49	V614601524	1	O-RING N12650-(M)
	V836840237	1	ENGINE GASKET KIT S1
	V836840238	1	ENGINE GASKET KIT S1+S2

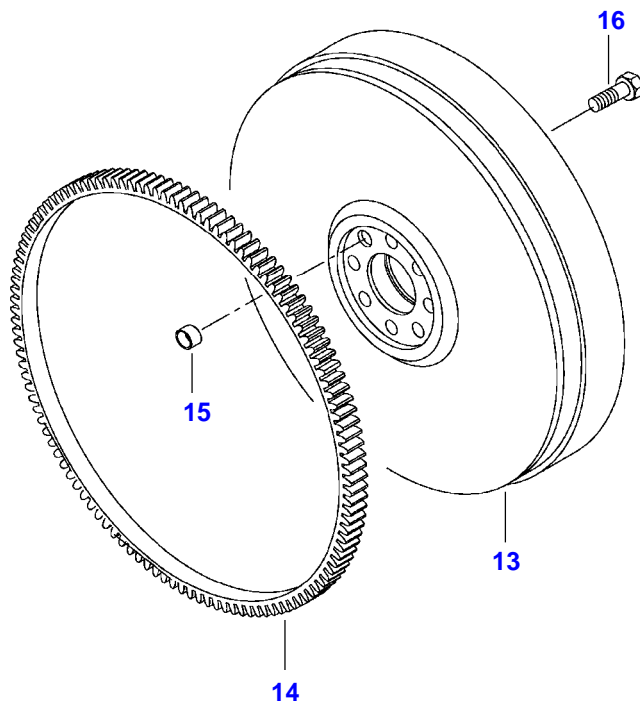
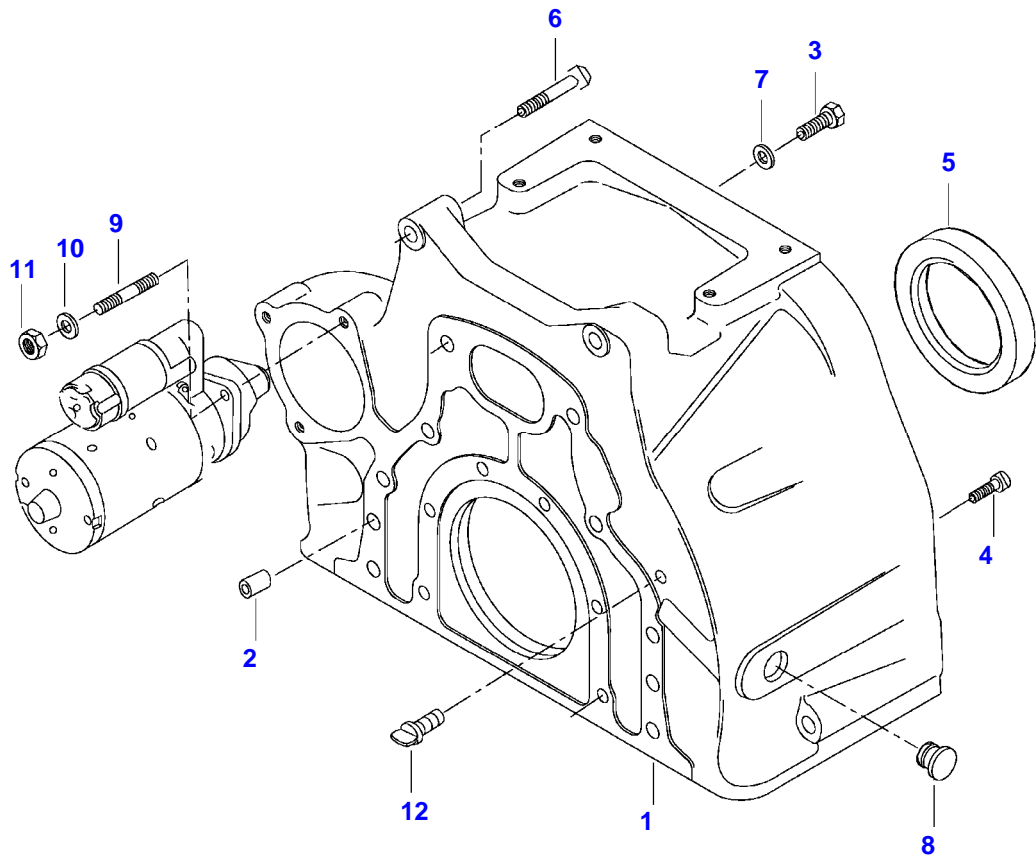
T160 TRACTOR (T SERIES)
SPIMG-005-21-02A



Item	Part Number	Qty	Description Comments
			CR-ENGINE R14850-(M)
1	V836866110	1	CYLINDER BLOCK
2	V836866069	1	CAMSHAFT BEARING BUSHING
3	V835329030	14	HEX CAP SCREW
4	V836214478	24	GUIDE SLEEVE
5	V640016018	2	CUP PLUG
6	V640016040	2	CUP PLUG
7	V836852460	2	CAMSHAFT BEARING BUSHING
8	V836852459	1	CAMSHAFT BEARING BUSHING
9	V836852461	1	CAMSHAFT BEARING BUSHING
10	V836666910	1	OIL DIPSTICK GUIDE PIPE
11	V836666990	6	LINER
12	V836647502	12	CYLINDER LINER O-RING S2
13	V836647503	6	CYLINDER LINER O-RING S2
14	V640016016	4	CUP PLUG S2
15	V836852744	1	PLUG
16	V837069057	1	PLUG
17	V640325110	4	SCREW PLUG
18	V615571014	5	SEALING WASHER S2
19	V614601524	1	O-RING
20	V528801380	4	HEX CAP SCREW M8 X 20
21	V836847994	1	FLANGE
22	V836322852	1	GASKET S2
23	V836119837	1	HOSE COUPLER
24	V837070021	6	PIPE
26	V836346012	1	ENGINE MOUNT LEFT
	V836346013	1	ENGINE MOUNT RIGHT
27	V528801362	5	HEX CAP SCREW M8 X 16
28	V837070147	1	ECU BRACKET
29	V837074327	6	RUBBER BUSHING
30	V837069056	3	HEX CAP SCREW
31	V640325018	1	PLUG
32	V836664377	1	DRAIN VALVE
33	V615881824	3	SEALING WASHER S2
35	V836866957	1	COVER
36	V836866958	1	GASKET S2
37	V581705850	4	HEX SOCKET SCREW M14 X 40
38	V581705890	2	HEX SOCKET SCREW M14 X 60
39	V615881216	1	SEALING WASHER S2
40	V640045112	1	PLUG
41	V500050840	1	FLAT WASHER

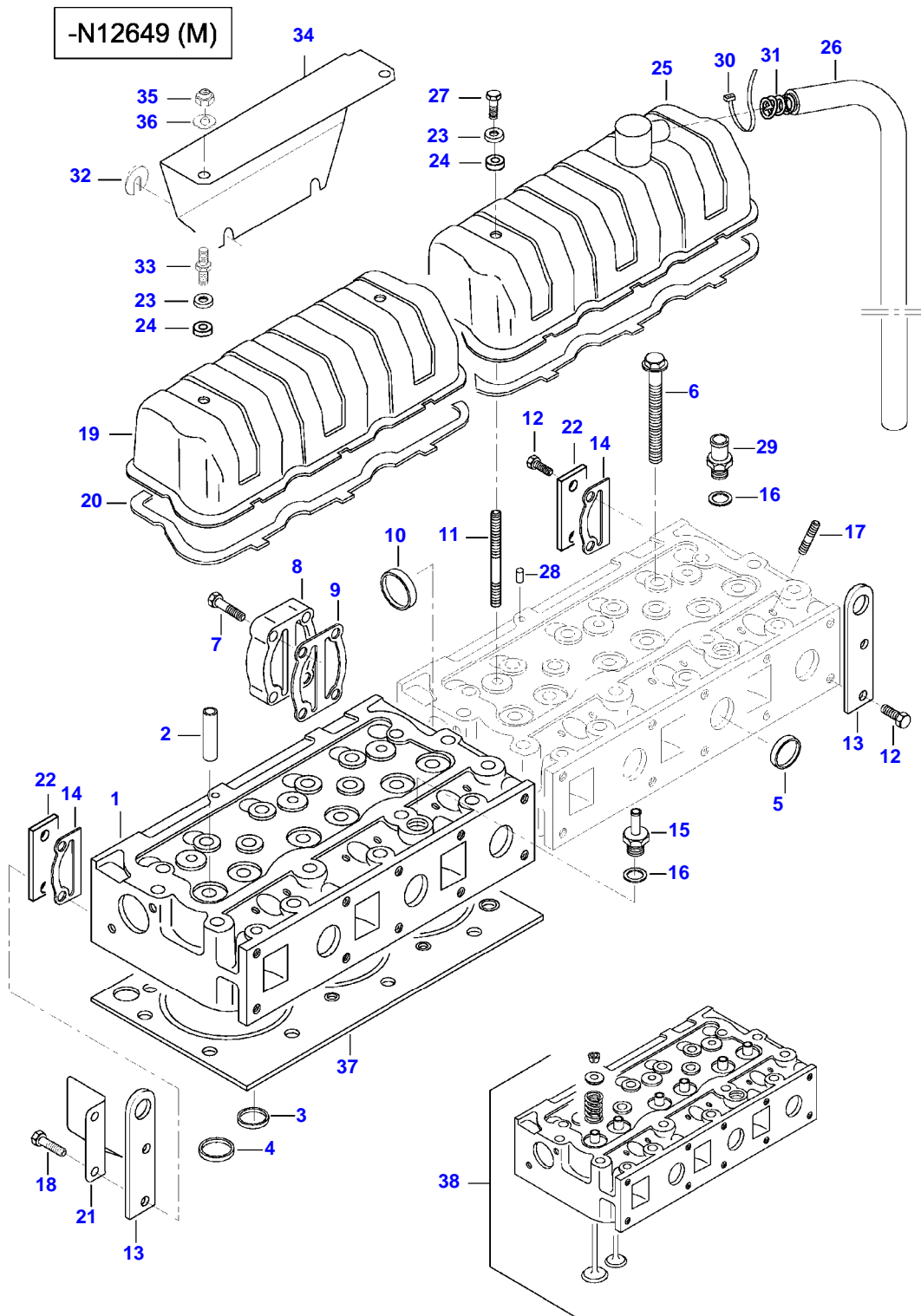
Item	Part Number	Qty	Description Comments
42	V529801102	8	HEX CAP SCREW M6 X 25
43	V837070197	1	SCREW
44	V837070285	1	COVER
45	V837070286	1	COVER
46	V500150642	5	WASHER
47	V581804182	5	HEX SOCKET SCREW M6 X 16
48	V590253388	6	SCREW 5.1 X 14
49	V836866872	1	SUPPORT
50	V528801400	2	HEX CAP SCREW M8 X 25
51	V836847596	1	ENGINE BLOCK HEATER 220V
52	V581804600	1	HEX SOCKET SCREW
200			SEE PAGE 01-0046

T160 TRACTOR (T SERIES)
SPIMG-005-21-04



Item	Part Number	Qty	Description Comments
1	V836666482	1	FLYWHEEL HOUSING
2	V598359850	2	PIN
3	V528702220	8	HEX CAP SCREW M12 X 35
4	V581705030	6	HEX SOCKET SCREW M10 X 30
5	V614500002	1	CRANKSHAFT SEAL S2
6	V581705490	2	HEX SOCKET SCREW M12 X 60
7	V500951200	8	SPRING WASHER
8	V836007572	1	RUBBER PLUG
9	V546801800	3	STUD BOLT M10 X 25
10	V500951000	3	SPRING WASHER
11	V504601000	3	NUT M10
12	V836859311	1	PLUG
13	V836659990	1	FLYWHEEL
14	V835328783	1	STARTER RING
15	V836659527	1	GUIDE SLEEVE WITHOUT CR-ENGINE
16	V529702250	8	HEX CAP SCREW 150 NM

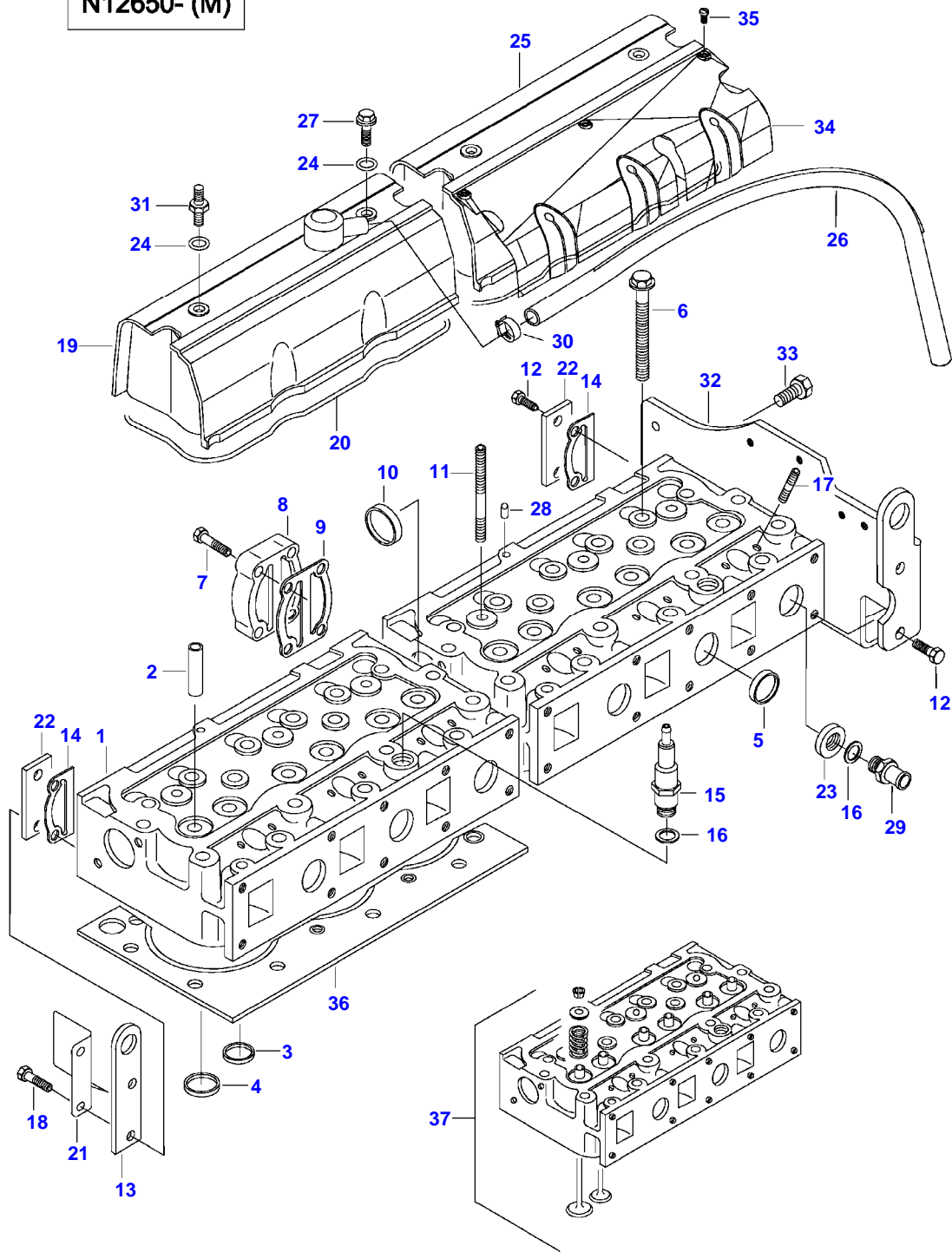
T160 TRACTOR (T SERIES)
SPIMG-005-21-06



Item	Part Number	Qty	Description Comments
-N12649 (M)			
1	NS	2	NON-SERVICEABLE PART CYLINDER HEAD
2	V836673175	12	VALVE GUIDE
3	V836647600	6	VALVE SEAT
5	V836647942	10	EXHAUST CUP PLUG
6	V836859104	34	HEXAGON FLANGE BOLT
7	V528801830	4	HEX CAP SCREW M10 X 40
8	V836855348	1	CONNECTION FLANGE
9	V836867390	1	GASKET S1
10	V640016045	1	CUP PLUG
11	V546801900	4	STUD BOLT M10 X 75
12	V528801800	4	HEX CAP SCREW M10 X 25
13	V836855349	2	LIFT EYE
14	V836867391	2	GASKET S1
15	V836659058	1	CONNECTOR
16	V615881822	2	SEALING WASHER S1
17	V546901435	12	STUD BOLT
18	V528801820	2	HEX CAP SCREW M10 X 35
19	V836846448	1	VALVE ROCKER COVER
20	V836646360	2	VALVE ROCKER COVER GASKET S1
21	V836666199	1	HEAT SHIELD
22	V836855350	2	BLOCK OFF PLATE
23	V836119855	4	WASHER
24	V836012841	4	RUBBER BUSHING S1
25	V836646359	1	VALVE ROCKER COVER
26	V836647814	1	RUBBER HOSE
27	V528801780	2	HEX CAP SCREW M10 X 20
28	V595959140	2	PIN
29	V836119837	1	HOSE COUPLER
30	V835329746	1	CABLE TIE
31	V836659103	1	SPRING
32	V836864223	2	LOCK RING
33	V836659175	2	STUD BOLT
34	V836866843	1	HEAT SHIELD
35	V510601002	2	NUT M10
36	V500151050	2	WASHER
37	V836666302	2	CYLINDER HEAD GASKET S1
38	V836873284	1	CYLINDER HEAD FRONT
	V836873285	1	CYLINDER HEAD REAR

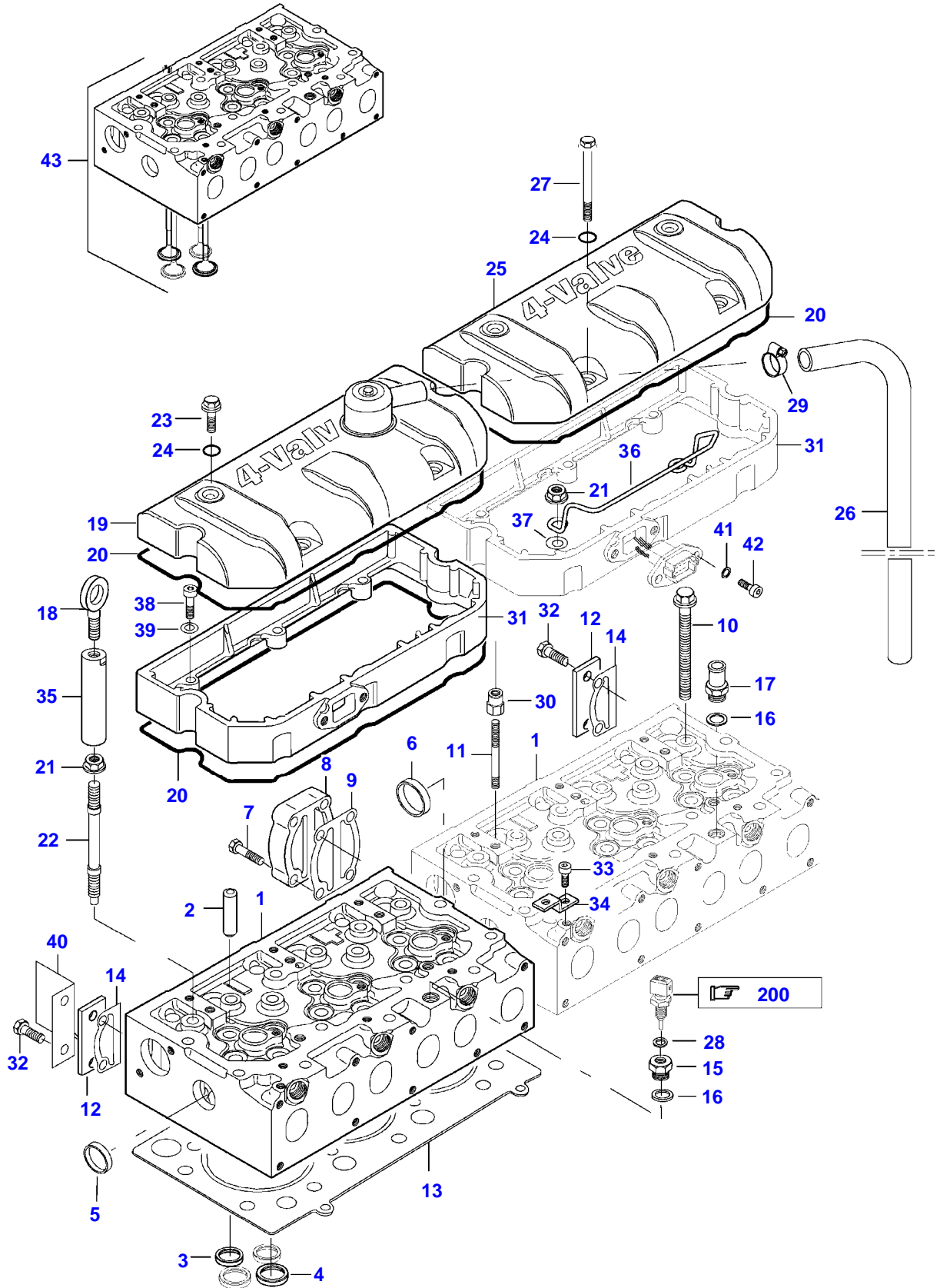
T160 TRACTOR (T SERIES)
SPIMG-005-21-06A

N12650- (M)



Item	Part Number	Qty	Description Comments
N12650- (M)			
1	NS	2	NON-SERVICEABLE PART CYLINDER HEAD
2	V836673175	12	VALVE GUIDE
3	V836647600	6	VALVE SEAT
5	V836647942	10	EXHAUST CUP PLUG
6	V836859104	34	HEXAGON FLANGE BOLT
7	V528801830	4	HEX CAP SCREW M10 X 40
8	V836855348	1	CONNECTION FLANGE
9	V836867390	1	GASKET S1
10	V640016045	1	CUP PLUG
11	V546801900	4	STUD BOLT M10 X 75
12	V528801800	4	HEX CAP SCREW M10 X 25
13	V836855349	2	LIFT EYE
14	V836867391	2	GASKET S1
15	V836666989	1	HOSE COUPLER
16	V615881822	2	SEALING WASHER S1
17	V546901435	12	STUD BOLT
18	V528801820	2	HEX CAP SCREW M10 X 35
19	V836667206	1	VALVE COVER
20	V836667243	2	VALVE ROCKER COVER GASKET S1
21	V836666199	1	HEAT SHIELD
22	V836855350	2	BLOCK OFF PLATE
23	V836667103	1	UNION
24	V614901030	4	O-RING S1
26	V836755007	1	RUBBER HOSE
27	V540801780	3	HEXAGON FLANGE BOLT M10 X 20
28	V595959140	2	PIN
29	V836119837	1	HOSE COUPLER
30	V602088532	1	HOSE CLIP
31	V836667033	1	STUD BOLT
32	V836767031	1	SUPPORT
33	V528803010	1	HEX CAP SCREW M16 X 30
34	V836666813	2	SHIELD
35	V572503362	6	SCREW M5 X 10
36	V836666302	2	CYLINDER HEAD GASKET S1
37	V836873284	1	CYLINDER HEAD FRONT
	V836873285	1	CYLINDER HEAD REAR

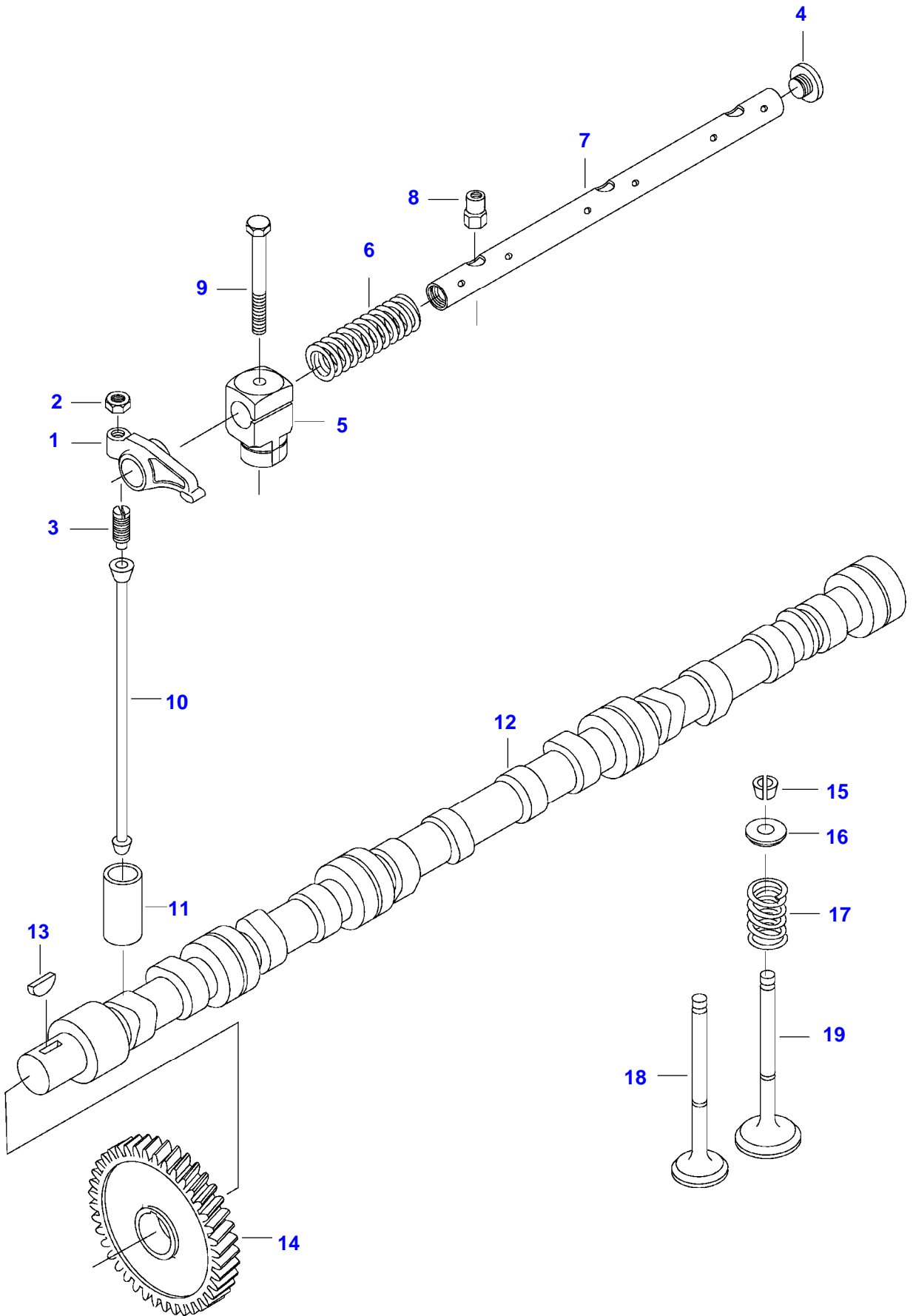
T160 TRACTOR (T SERIES)
SPIMG-005-21-06B



Item	Part Number	Qty	Description Comments	Technical Specification
			CR-ENGINE R14850-(M)	
1	NS	2	NON-SERVICEABLE PART CYLINDER HEAD REF. 43	
2	V837073174	24	VALVE GUIDE	4V STD
3	V837064907	12	VALVE SEAT	4V EXHAUST STD
4	V837064908	12	EXHAUST VALVE SEAT	4V INTAKE STD
5	V836647942	4	INTAKE CUP PLUG	
6	V640016045	1	CUP PLUG	
7	V528801830	4	HEX CAP SCREW M10 X 40	
8	V836855348	1	CONNECTION FLANGE	
9	V836867390	1	GASKET S1	
10	V837069025	28	CYLINDER HEAD BOLT	
11	V546801900	4	STUD BOLT M10 X 75	
12	V836855350	2	BLOCK OFF PLATE	
13	V837070290	2	CYLINDER HEAD GASKET S1	
14	V836867753	2	GASKET S1	
15	V836119643	1	THREADED NIPPLE	
16	V615881822	2	SEALING WASHER S1	
17	V836119837	1	HOSE COUPLER	
18	V836640752	2	LIFT EYE	
19	V837069029	1	COVERING	
20	V837067881	4	VALVE ROCKER COVER GASKET S1	
21	V836859110	10	NUT	
22	V836859109	6	STUD BOLT	
23	V540801780	4	HEXAGON FLANGE BOLT	
24	V614901030	8	O-RING S1	
25	V837069022	1	VALVE ROCKER COVER	
26	V837070346	1	BREATHER HOSE	
27	V540801910	4	HEXAGON FLANGE BOLT M10 X 80	
28	V615881418	1	SEALING WASHER S1	
29	V602078532	1	HOSE CLIP	
30	V836655406	4	SLEEVE NUT	
31	V837069021	2	VALVE ROCKER COVER FRAME	
32	V528801800	4	HEX CAP SCREW M10 X 25	
33	V528801360	1	HEX CAP SCREW M8 X 16	
34	V836747849	2	SUPPORT	
35	V836867567	2	LIFTING EYE EXTENSION	
36	V837069026	1	BRACKET	
37	V500951200	4	SPRING WASHER	
38	V581804630	6	HEX SOCKET SCREW M8 X 30	
39	V500950800	6	SPRING WASHER	
40	V836666199	1	HEAT SHIELD	

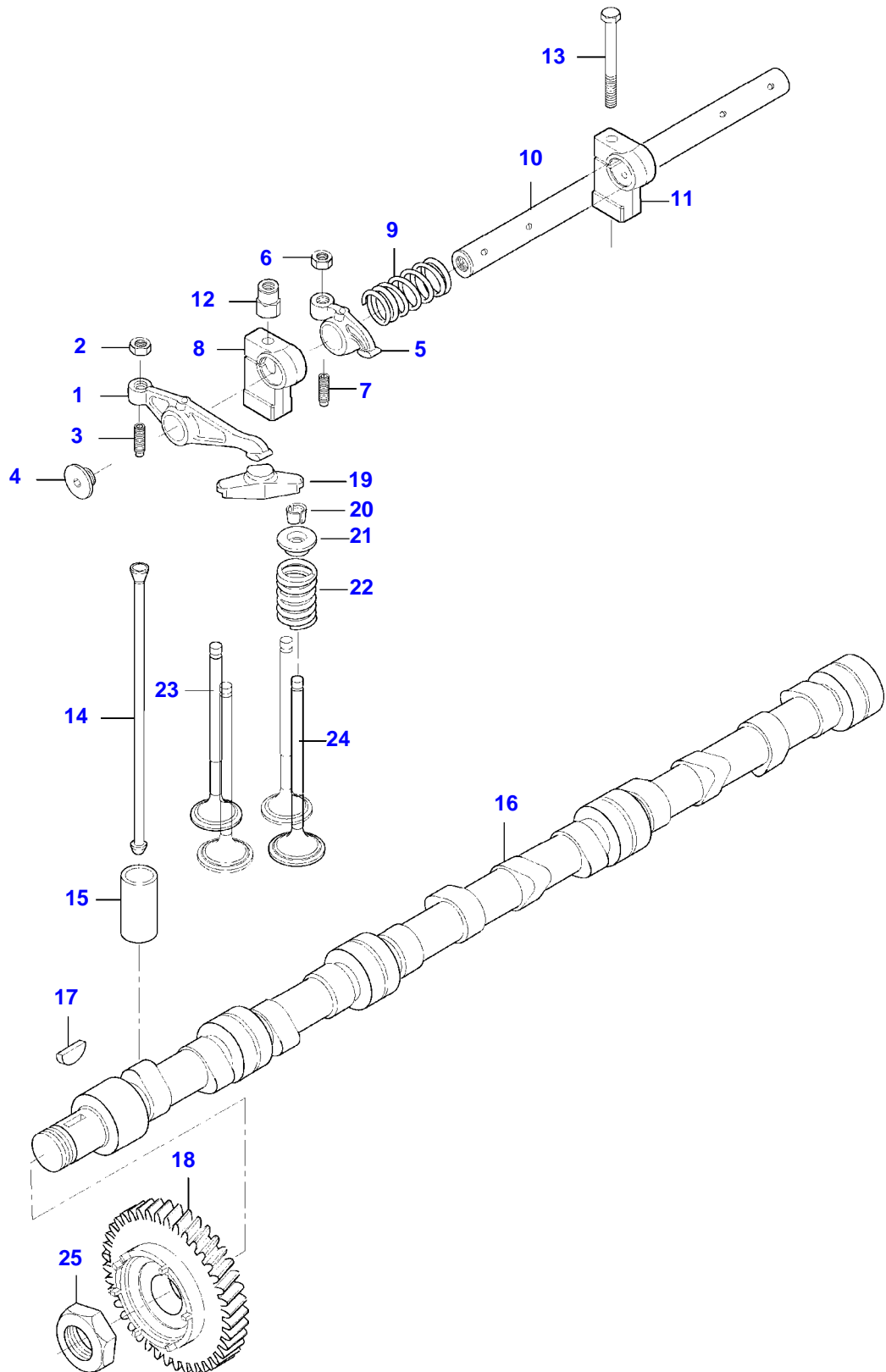
Item	Part Number	Qty	Description Comments	Technical Specification
41	V500150842	4	WASHER	
42	V581804602	4	HEX SOCKET SCREW M8 X 20	
43	V837073233	1	CYLINDER HEAD FRONT	
	V837073234	1	CYLINDER HEAD REAR	
200			SEE PAGE 01-0046	

T160 TRACTOR (T SERIES)
SPIMG-005-21-08



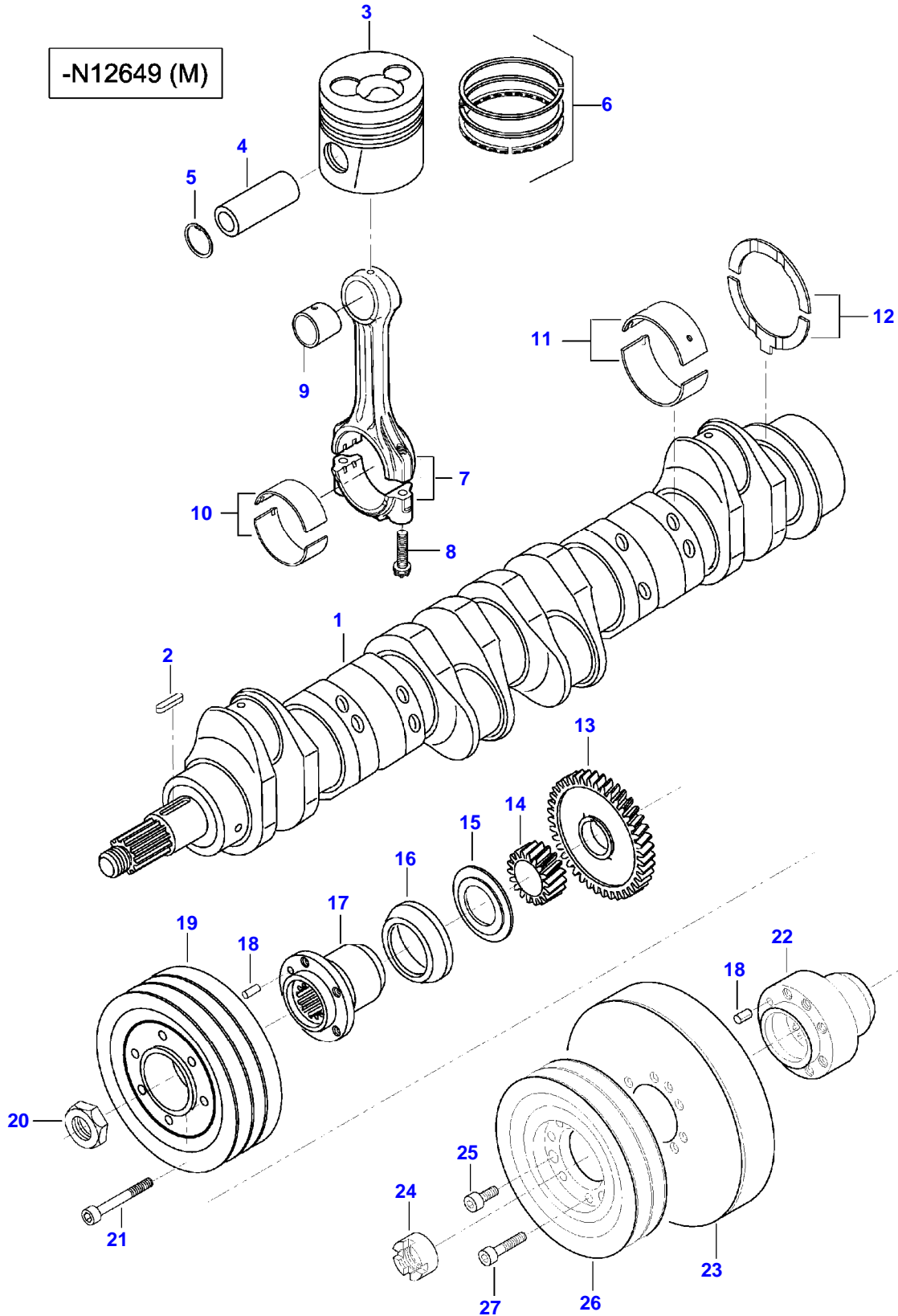
Item	Part Number	Qty	Description Comments
	V836667043	2	ROCKER SHAFT ASM ASSEMBLY
1	V836666608	12	ROCKER ARM . -S12222 (M)
	V836667042	12	ROCKER ARM . S12223- (M)
2	V512861000	12	NUT
3	V836655866	12	ADJUSTING SCREW .. -S12222 (M)
	V837069023	12	VALVE ROCKER ADJUSTMENT SCREW .. S12223- (M)
4	V836655899	4	PLUG . -S12222 (M)
	V837069020	4	PLUG . S12223- (M)
5	V836666609	6	BRACKET
6	V836655884	4	SPRING
7	V836655870	2	SHAFT .
8	V836655406	4	SLEEVE NUT
9	V529801910	2	HEX CAP SCREW M10 X 80
10	V836655867	12	PUSHROD
11	V836014264	12	TAPPET
12	V836866054	1	CAMSHAFT
13	V603305760	1	WOODRUFF KEY
14	V836646389	1	GEAR,CAMSHAFT
15	V836646382	24	COTTER
16	V836646381	12	WASHER
17	V836646380	12	SPRING
18	V836646357	6	EXHAUST VALVE
19	V836646356	6	INTAKE VALVE

T160 TRACTOR (T SERIES)
SPIMG-005-21-08A



Item	Part Number	Qty	Description Comments	Technical Specification
			CR-ENGINE R14850-(M)	
1	V837069016	2	ROCKER SHAFT ASM	3-CYL 4V 4V INTAKE
	V837069011	6	ROCKER ARM	
2	V512861000	6	INTAKE	
			NUT	
3	V837069023	6	VALVE ROCKER ADJUSTMENT SCREW	
4	V837069020	4	PLUG	
5	V837069013	6	ROCKER ARM	4V EXHAUST
			EXHAUST	
6	V512861000	6	NUT	
7	V837069023	6	VALVE ROCKER ADJUSTMENT SCREW	
8	V837069017	4	ROCKER SHAFT BRACKET	
9	V837069019	4	SPRING	
10	V837069015	2	SHAFT	
11	V837069018	2	ROCKER SHAFT BRACKET	
12	V836655406	4	SLEEVE NUT	
13	V529801920	2	HEX CAP SCREW M10 X 85	
14	V837070119	12	PUSHROD	
15	V836014264	12	TAPPET	
16	V837070148	1	CAMSHAFT	
17	V603305760	1	WOODRUFF KEY	
18	V837070030	1	GEAR,CAMSHAFT	
19	V837069006	12	GUIDE	
20	V837064910	48	COTTER	
21	V837069004	24	SPRING PLATE	
22	V837069005	24	VALVE SPRING	
23	V837069002	12	EXHAUST VALVE	
24	V837069003	12	INTAKE VALVE	
25	V837069085	1	NUT	

T160 TRACTOR (T SERIES)
SPIMG-005-21-10



Item	Part Number	Qty	Description Comments	Technical Specification
-N12649 (M)				
1	V836847352	1	CRANKSHAFT	
2	V603345110	1	KEY	
3	V836640073	6	PISTON	
4	NS	6	NON-SERVICEABLE PART	
.				
5	NS	12	PISTON PIN NON-SERVICEABLE PART	
.				
4	NS	6	CIRCLIP NON-SERVICEABLE PART	
.				
5	NS	12	PISTON PIN NON-SERVICEABLE PART	
.				
4	NS	6	CIRCLIP NON-SERVICEABLE PART	
.				
5	NS	12	PISTON PIN NON-SERVICEABLE PART	
.				
6	V836640078	6	CIRCLIP PISTON RING KIT	
.				
	V836640078	6	PISTON RING KIT	
.				
	V836840928	1	CONNECTING ROD KIT REF. 7, 8, 9	
7	NS	6	NON-SERVICEABLE PART	
.				
	NS	6	CONNECTING ROD 1935-1954 G, F NON-SERVICEABLE PART	
.				
	NS	6	CONNECTING ROD 1955-1974 G, V NON-SERVICEABLE PART	
.				
	NS	6	CONNECTING ROD 1975-1994 G, X NON-SERVICEABLE PART	
.				
	NS	6	CONNECTING ROD 1995-2014 G, Y NON-SERVICEABLE PART	
.				
	NS	6	CONNECTING ROD 2015-2034 G, W NON-SERVICEABLE PART	
.				
	NS	6	CONNECTING ROD 2035-2054 G, Z NON-SERVICEABLE PART	
.				
8	V836864141	12	CONNECTING ROD 2055-2074 G, G CONNECTING ROD BOLT	
.				
9	V836110646	6	BEARING BUSH	STD
.				
10	V836110552	6	BEARING SHELL SEE PAGE 01-0050	
.				
11	V836655514	7	MAIN BEARING SEE PAGE 01-0050	

Item	Part Number	Qty	Description Comments	Technical Specification
12	V836119459	2	THRUST WASHER SEE PAGE 01-0050	
13	V836119550	1	GEAR,CRANKSHAFT	
14	V836122840	1	GEAR,CRANKSHAFT	
15	V836129781	1	RING	
16	V836136271	1	SHIELD	
17	V836846463	1	CRANKSHAFT HUB	
18	V595954600	1	PIN	
19	V836864290	1	CRANKSHAFT V-BELT PULLEY	
20	V836647310	1	CRANKSHAFT NUT	
21	V581804680	6	HEX SOCKET SCREW M8 X 55	
25	V581804620	3	HEX SOCKET SCREW M8 X 25	
27	V581804640	6	HEX SOCKET SCREW M8 X 35	

Thank you so much for reading.
Please click the “Buy Now!”
button below to download the
complete manual.



After you pay.

You can download the most
perfect and complete manual in
the world immediately.

Our support email:

ebooklibonline@outlook.com