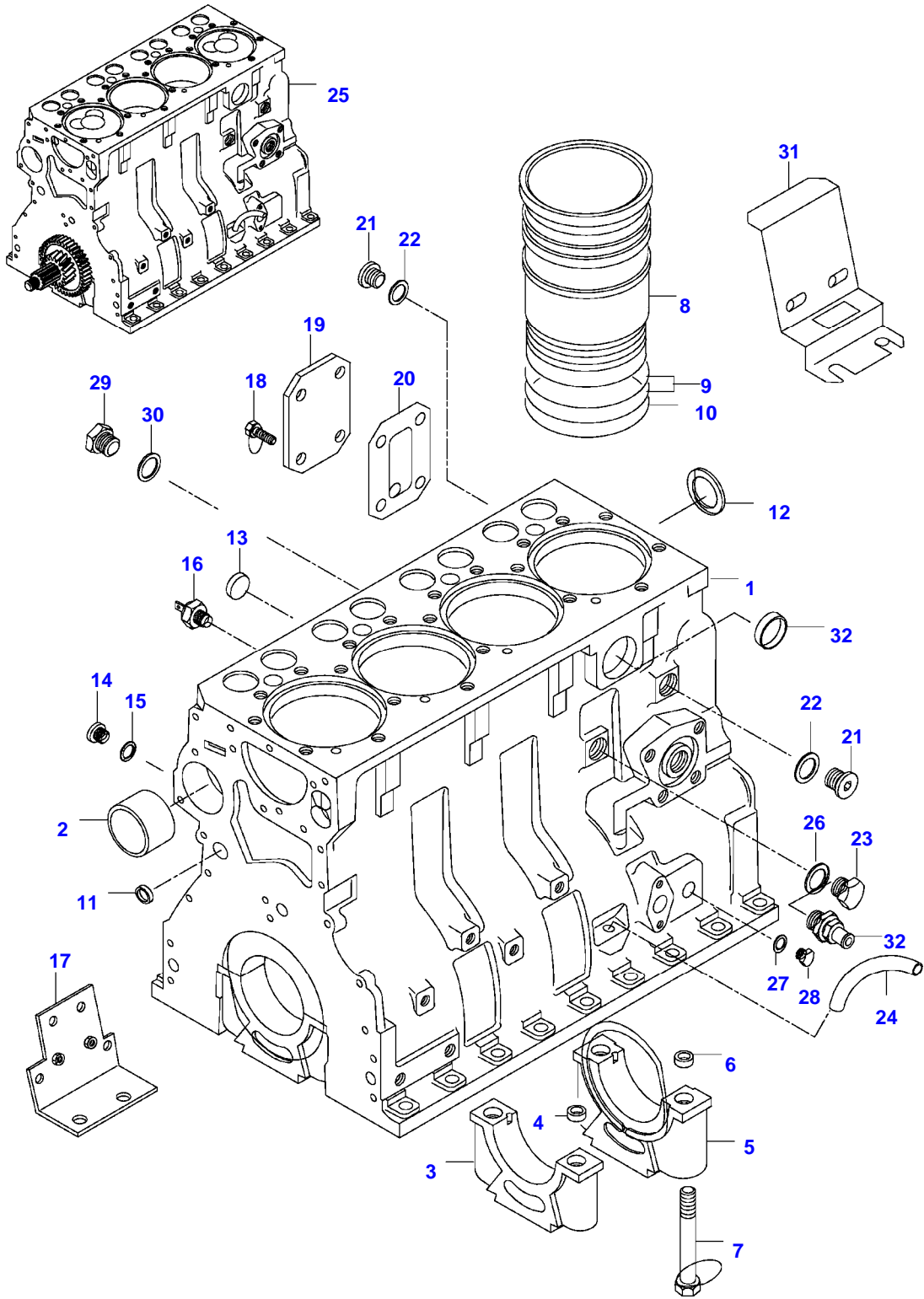


| Page Number | Page Title | Page Reference |
|--------------------|-------------------------------------|-----------------------|
| 01-000-TOC | ENGINE, FUEL AND EXHAUST SYSTEM | 01-000-TOC |
| 02-000-TOC | AXLES | 02-000-TOC |
| 03-000-TOC | STEERING SYSTEM | 03-000-TOC |
| 04-000-TOC | DRIVE TRAIN SYSTEM | 04-000-TOC |
| 05-000-TOC | BRAKE SYSTEM | 05-000-TOC |
| 06-000-TOC | COMPRESSED AIR SYSTEM | 06-000-TOC |
| 07-000-TOC | HYDRAULIC SYSTEM | 07-000-TOC |
| 08-000-TOC | ELECTRICAL SYSTEM | 08-000-TOC |
| 09-000-TOC | CAB | 09-000-TOC |
| 10-000-TOC | AIR CONDITIONING AND HEATING SYSTEM | 10-000-TOC |
| 11-000-TOC | CHASSIS | 11-000-TOC |
| 12-000-TOC | DECALS | 12-000-TOC |
| 13-000-TOC | WHEELS | 13-000-TOC |
| 14-000-TOC | IMPLEMENT DRIVE SYSTEM | 14-000-TOC |
| 15-000-TOC | IMPLEMENT LIFT SYSTEM FRONT | 15-000-TOC |
| 16-000-TOC | IMPLEMENT LIFT SYSTEM REAR | 16-000-TOC |
| 17-000-TOC | PRECISION FARMING SYSTEMS | 17-000-TOC |
| 18-000-TOC | ATTACHMENTS | 18-000-TOC |
| 19-000-TOC | GENERAL INFORMATION | 19-000-TOC |

| Page Number | Page Title | Page Reference |
|-------------|--|----------------|
| 01-0001 | CYLINDERBLOCK | 21-04 |
| 01-0002 | FLYWHEEL AND HOUSING | 21-08 |
| 01-0003 | CYLINDER HEAD | 21-16 |
| 01-0004 | VALVE MECHANISM | 21-22 |
| 01-0005 | CRANK MECHANISM | 21-28 |
| 01-0006 | GEAR HOUSING | 21-32 |
| 01-0007 | OIL FILTER -L10359(M) | 21-36 |
| 01-0008 | OIL FILTER L10360-(M) | 21-36A |
| 01-0009 | OIL SUMP | 21-40 |
| 01-0010 | AIR CLEANER | 21-48 |
| 01-0011 | INTAKE- AND EXHAUST PIPE | 21-58 |
| 01-0012 | MUFFLER | 21-64 |
| 01-0013 | TURBOCHARGER | 21-72 |
| 01-0014 | TURBOCHARGER | 21-78 |
| 01-0015 | COLD-STARTING DEVICE | 21-80 |
| 01-0016 | FEED PUMP | 22-04 |
| 01-0017 | FUEL FILTER -G16521(M) | 22-10 |
| 01-0018 | FUEL FILTER G16522-N19955(M) | 22-16 |
| 01-0019 | FUEL PIPES | 22-30 |
| 01-0020 | INJECTION PUMP -L10009(M) | 22-36 |
| 01-0021 | INJECTION PUMP L10010-(M) | 22-36A |
| 01-0022 | SPEED LEVERS | 22-50 |
| 01-0023 | RADIATOR | 23-02 |
| 01-0024 | COOLANT PUMP -K10682(M) | 23-12 |
| 01-0025 | COOLANT PUMP K10683-(M) | 23-10A |
| 01-0026 | STARTERMOTOR -F3792 H1231- | 31-02 |
| 01-0027 | STARTERMOTOR | 31-04 |
| 01-0028 | ALTERNATOR -H15230 | 31-08 |
| 01-0029 | ALTERNATOR H6362-(M) | 31-12 |
| 01-0030 | ALTERNATOR H6362-(M) | 31-14 |
| 01-0031 | GASKET SETS | 28-04 |
| 01-0032 | GASKET SETS | 28-10 |
| 01-0033 | ENGINE REPAIR KIT AND BEARING | 28-14 |
| 01-0034 | ADJUSTING PLATE FOR INJECTOR | 28-18 |
| 01-0035 | PREFILTER (OPTIONAL EQUIPMENT) | 29-02 |
| 01-0036 | CATALYZER (OPTIONAL EQUIPMENT) | 29-16 |
| 01-0037 | PILLAR EXHAUST PIPE (OPTIONAL EQUIPMENT) | 29-18 |
| 01-0038 | ELECTRIC STOP (OPTIONAL EQUIPMENT) | 39-34 |
| 01-0039 | ENGINE HEATER (OPTIONAL EQUIPMENT) | 39-04 |

6800 TRACTOR (MEZZO SERIES)
SPIMG-006-21-04



| Item | Part Number | Qty | Description Comments | Technical Specification |
|------|-------------|-----|-----------------------------------|-------------------------|
| 1 | V836766377 | 1 | CYLINDER BLOCK | |
| 2 | V836866069 | 1 | CAMSHAFT BEARING BUSHING | |
| 3 | NS | 4 | NON-SERVICEABLE PART | |
| 4 | V836214478 | 8 | BEARING COVER GUIDE SLEEVE | |
| 5 | NS | 1 | NON-SERVICEABLE PART | |
| 6 | V836214478 | 2 | BEARING COVER GUIDE SLEEVE | |
| 7 | V835329030 | 10 | HEX CAP SCREW | |
| 8 | V836666990 | 4 | LINER | |
| | V836647933 | | LINER FLANGE S=9.08 | FLANGE HEIGHT + 0.05 MM |
| | V836647934 | | LINER FLANGE S=9.13 | FLANGE HEIGHT + 0.10 MM |
| | V836647935 | | LINER FLANGE S=9.23 | FLANGE HEIGHT + 0.15 MM |
| 9 | V836647502 | 8 | CYLINDER LINER O-RING S2 | |
| 10 | V836647503 | 4 | CYLINDER LINER O-RING S2 | |
| 11 | V640016016 | 4 | CUP PLUG | |
| 12 | V836529872 | 1 | PLUG | |
| 13 | V640016018 | 1 | CUP PLUG | |
| 14 | V640325110 | 2 | SCREW PLUG | |
| 15 | V615571014 | 2 | SEALING WASHER S2 | |
| 16 | V887283760 | 1 | PRESSURE SWITCH | |
| 17 | V836647927 | 1 | RETAINING PLATE LEFT | |
| | V836647926 | 1 | RETAINING PLATE RIGHT | |
| 18 | V528801362 | 2 | HEX CAP SCREW -H2058(M) | |
| | V528801362 | 4 | HEX CAP SCREW H2059-(M) | |
| 19 | V836647400 | 1 | COVER -H2058(M) | |
| | V836866957 | 1 | COVER H2059-(M) | |
| 20 | V836647401 | 1 | GASKET -H2058(M) | |
| | V836866958 | 1 | GASKET H2059-(M) S2 | |
| 21 | V640325018 | 2 | PLUG | |
| 22 | V615881822 | 2 | SEALING WASHER | |
| 23 | V836019756 | 1 | PLUG | |
| 24 | V836129747 | 1 | OIL DIPSTICK GUIDE PIPE | |
| 25 | V862640001 | 1 | REMANUFACTURED SHORT BLOCK ENGINE | |
| 26 | V615881824 | 1 | SEALING WASHER S2 | |
| 27 | V615881216 | 1 | SEALING WASHER S2 | |
| 28 | V640305012 | 1 | PLUG | |
| 31 | V836755844 | 2 | SUPPORT | |
| 32 | V836664377 | 1 | DRAIN VALVE | |

Valtra

6800 TRACTOR (MEZZO SERIES)

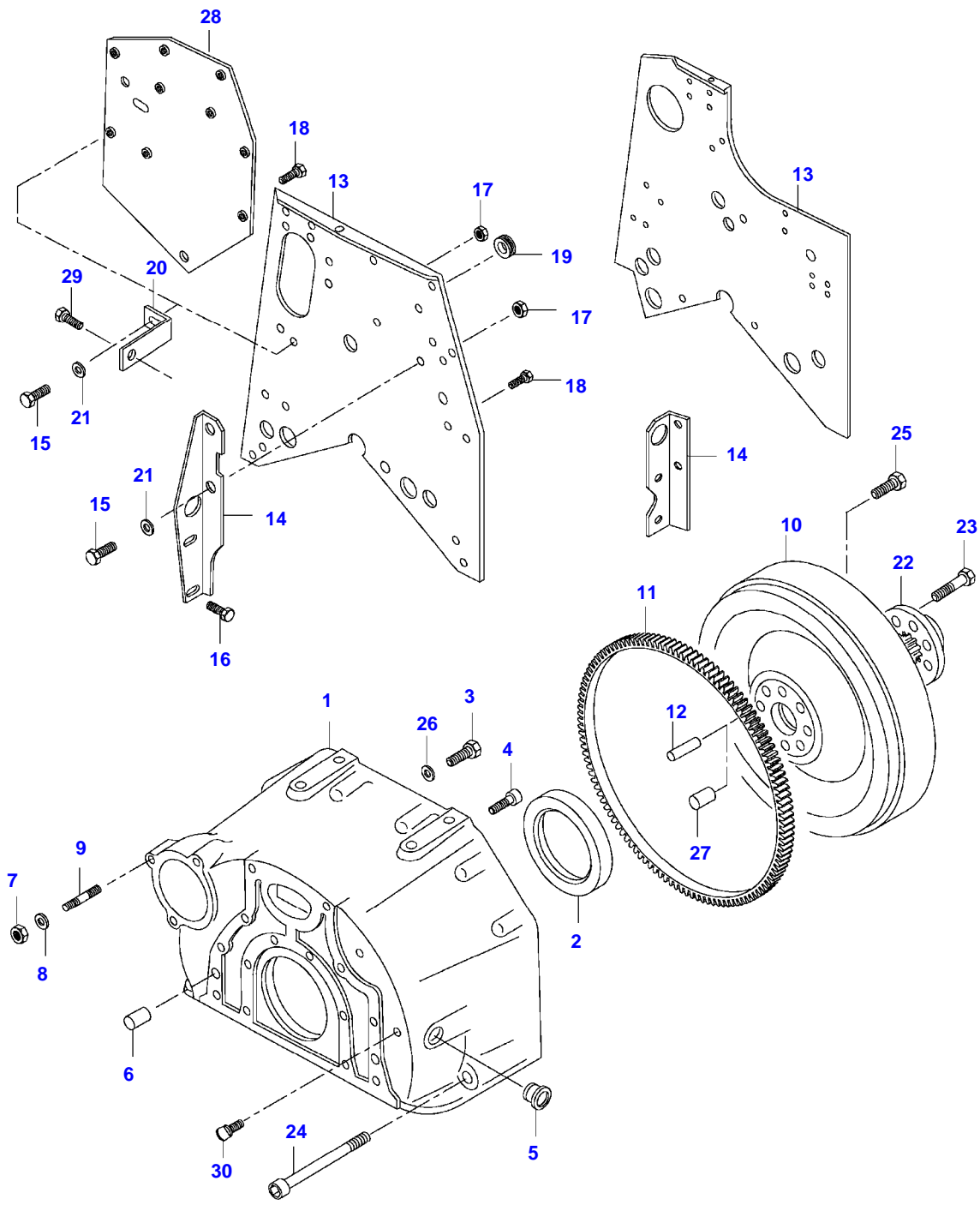
VFZ6800

CYLINDERBLOCK

Page01-0001

| Item | Part Number | Qty | Description Comments | Technical Specification |
|------|-------------|-----|----------------------------|-------------------------|
| | V836740280 | 1 | ENGINE GASKET KIT S1 | |
| | V836740281 | 1 | ENGINE GASKET KIT S1+S2 | |

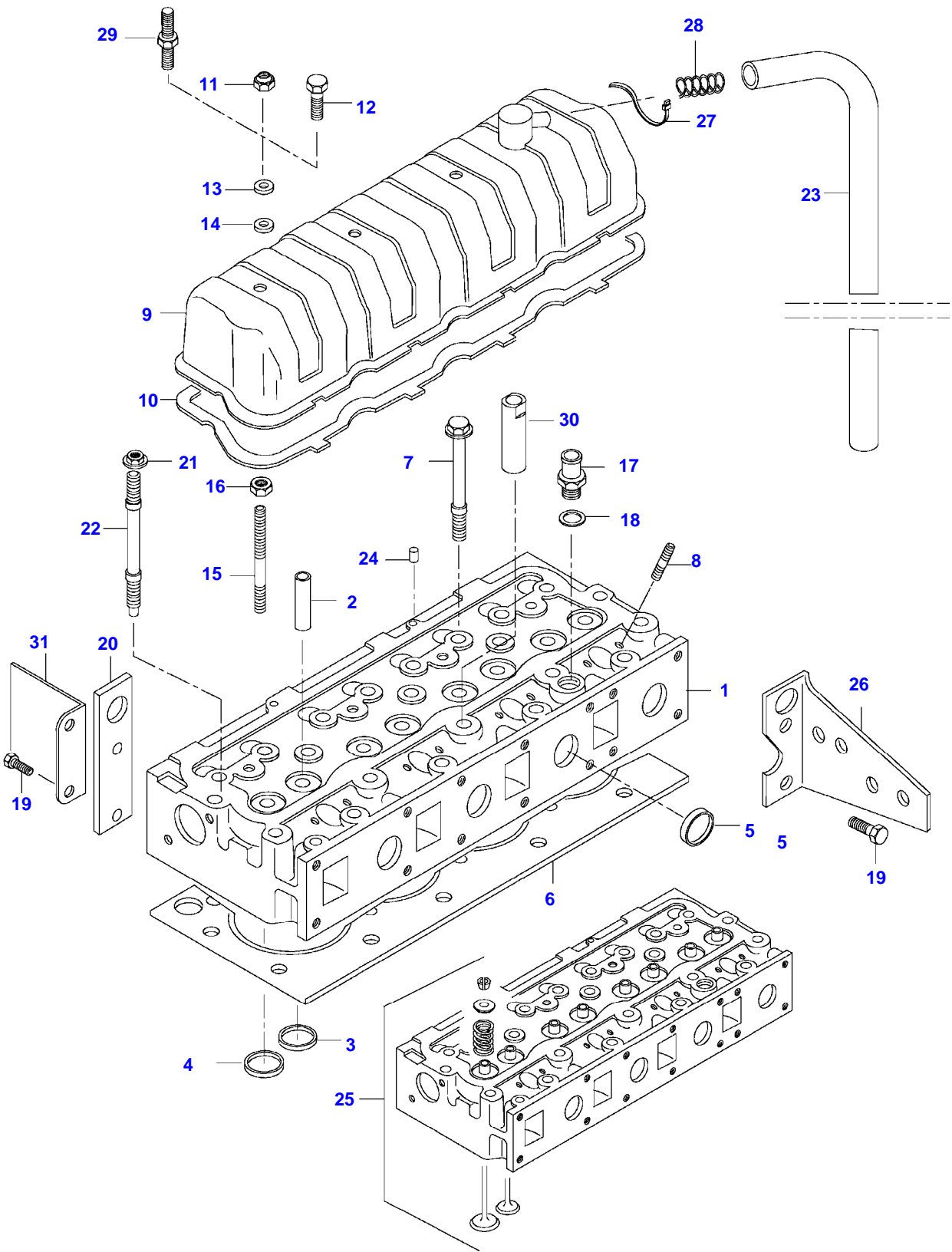
6800 TRACTOR (MEZZO SERIES)
SPIMG-006-21-08



| Item | Part Number | Qty | Description Comments | Technical Specification |
|------|-------------|-----|---|--------------------------------|
| 1 | V836647040 | 1 | FLYWHEEL HOUSING | |
| | V836647439 | 1 | FLYWHEEL HOUSING HYDRAULIC CLUTCH VOITH | |
| | V836146956 | 1 | FLYWHEEL HYDRAULIC CLUTCH TRANSFLUID | |
| 2 | V614500002 | 1 | CRANKSHAFT SEAL S2 | |
| 3 | V529702220 | 8 | HEX CAP SCREW | |
| 4 | V581705030 | 6 | HEX SOCKET SCREW | |
| 5 | V836007572 | 1 | RUBBER PLUG | |
| 6 | V598359850 | 2 | PIN | |
| 7 | V504601000 | 3 | NUT | |
| 8 | V500951000 | 3 | SPRING WASHER | |
| 9 | V546801800 | 3 | STUD BOLT | |
| 10 | V836146784 | 1 | FLYWHEEL | |
| | V836759818 | 1 | FLYWHEEL H17045-(M) | |
| | V836752255 | 1 | FLYWHEEL HYDRAULIC CLUTCH VOITH D 9373-(M) | |
| | V836759820 | 1 | FLYWHEEL HYDRAULIC CLUTCH VOITH 666066- | |
| | V836752257 | 1 | FLYWHEEL HYDRAULIC CLUTCH TRANSFLUID | |
| 11 | V835328783 | 1 | STARTER RING | |
| 12 | V595955060 | 1 | PIN | |
| 13 | V836647590 | 1 | PLATE | |
| | V836755584 | 1 | FLYWHEEL HOUSING UNITED STATES OF AMERICA | |
| | V836755845 | 1 | FLYWHEEL HOUSING PILLAR EXHAUST PIPE | |
| 14 | V32999100 | 1 | SUPPORT 1995- | |
| | V836755585 | 1 | LIFT EYE UNITED STATES OF AMERICA | |
| 15 | V528801362 | 4 | HEX CAP SCREW | |
| 16 | V528801380 | 2 | HEX CAP SCREW | |
| | V528801800 | 2 | HEX CAP SCREW | |
| 17 | V504800800 | 3 | NUT | |
| 18 | V528802180 | 2 | HEX CAP SCREW | |
| 19 | V835338745 | 1 | RUBBER INLET | |
| 20 | V836755361 | 1 | SUPPORT | |
| 21 | V500150842 | 3 | WASHER | |
| 22 | | 1 | HUB HYDRAULIC CLUTCH SEE PAGE 04-0002 | |
| 23 | V529902240 | 7 | HEX CAP SCREW HYDRAULIC CLUTCH SEE PAGE 04-0002 | |
| 24 | VHC9784 | 2 | HEX SOCKET SCREW | M12 X 140 SFS_EN_ISO_4762 12.9 |
| 25 | V528702230 | 8 | HEX CAP SCREW | |
| | V529702250 | 8 | HEX CAP SCREW HYDRAULIC CLUTCH | |
| 26 | V500951200 | 8 | SPRING WASHER | |
| 27 | V836659527 | 1 | GUIDE SLEEVE H17045-(M) | |
| 28 | V836759798 | 1 | BRACKET J6780-(M) | |

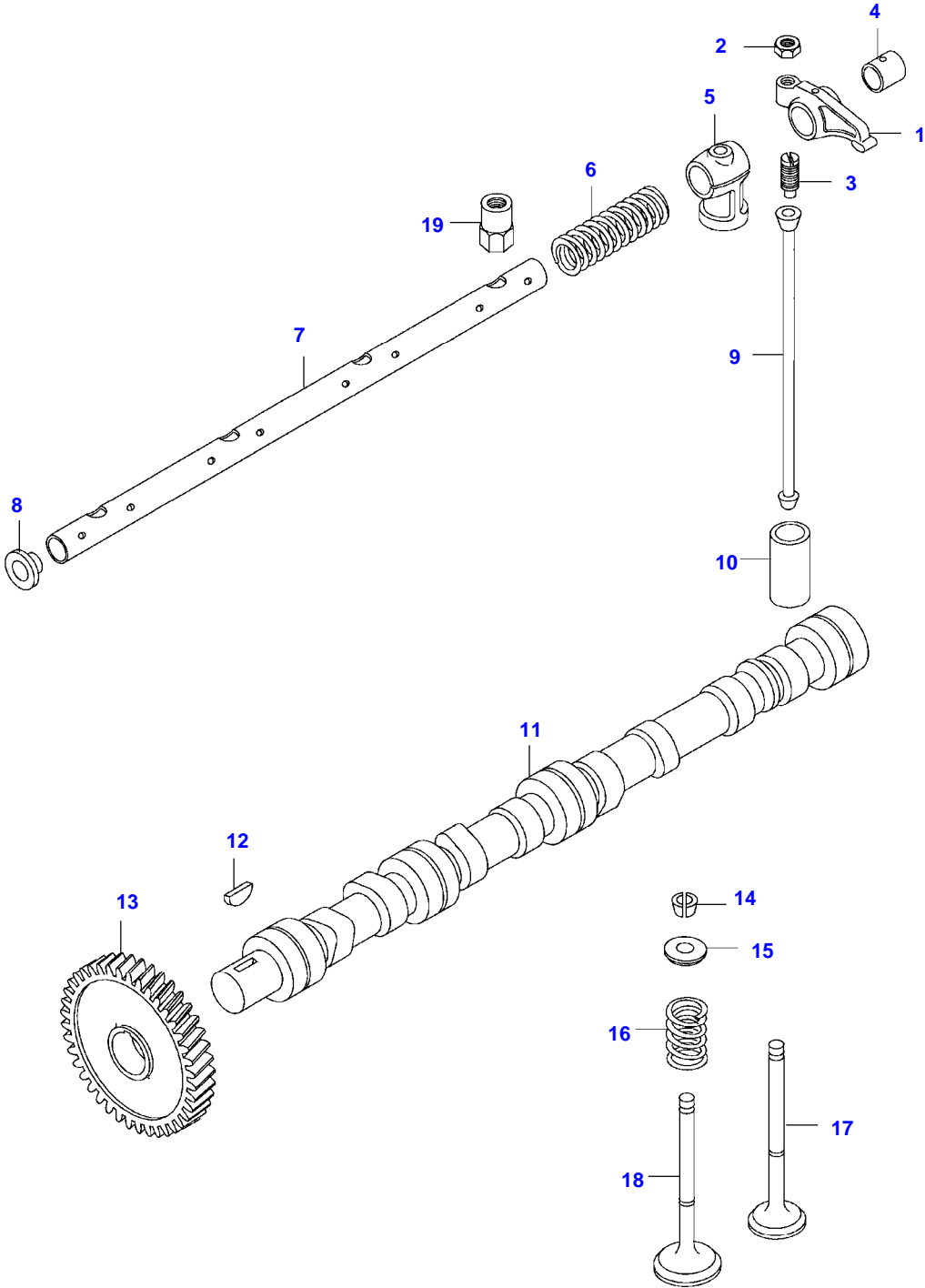
| Item | Part Number | Qty | Description Comments | Technical Specification |
|------|-------------|-----|-------------------------|-------------------------|
| 29 | V528801362 | 1 | HEX CAP SCREW | |
| | V528801760 | 1 | HEX CAP SCREW | |
| 30 | V836859311 | 1 | PLUG | |

6800 TRACTOR (MEZZO SERIES)
SPIMG-006-21-16



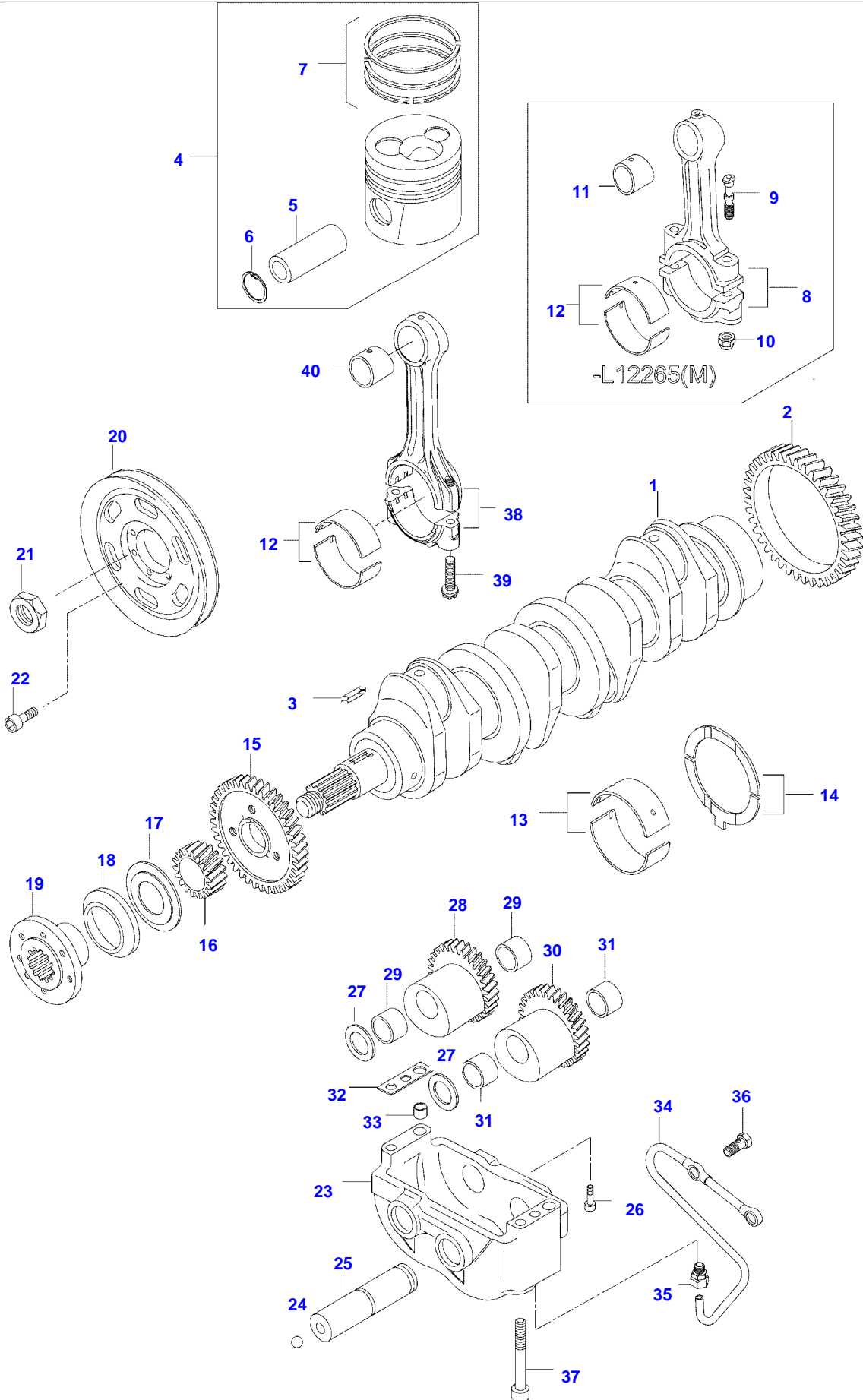
| Item | Part Number | Qty | Description Comments |
|------|-------------|-----|-------------------------------------|
| 1 | V836755385 | 1 | CYLINDER HEAD |
| 2 | V836647601 | 8 | GUIDE |
| 4 | V836647936 | 4 | VALVE SEAT |
| 5 | V836647942 | 8 | INTAKE VALVE CUP PLUG |
| 6 | V837070291 | 1 | CYLINDER HEAD GASKET S1 |
| 7 | V836859104 | 20 | HEXAGON FLANGE BOLT -K14993(M) |
| | V836859104 | 19 | HEXAGON FLANGE BOLT K14994-(M) |
| 8 | V546901435 | 8 | STUD BOLT |
| 9 | V836746361 | 1 | VALVE ROCKER COVER |
| 10 | V836746362 | 1 | VALVE ROCKER COVER GASKET S1 |
| 11 | V510601002 | 4 | NUT |
| 12 | V528801780 | 4 | HEX CAP SCREW F9293-(M) |
| 13 | V836119855 | 4 | WASHER |
| 14 | V836012841 | 4 | RUBBER BUSHING S1 |
| 15 | V836652357 | 4 | STUD BOLT -F9292(M) |
| | V546801900 | 4 | STUD BOLT F9293-(M) |
| 16 | V504601000 | 4 | NUT -F9292(M) |
| | V836655406 | 4 | SLEEVE NUT F9293-(M) |
| 17 | V836119837 | 1 | HOSE COUPLER |
| 18 | V615881822 | 1 | SEALING WASHER S1 |
| 19 | V528801380 | 2 | HEX CAP SCREW |
| | V528801800 | 4 | HEX CAP SCREW |
| 20 | V836855349 | 1 | LIFT EYE |
| 21 | V836859110 | 2 | NUT -K14993(M) |
| | V836859110 | 3 | NUT K14994-(M) |
| 22 | V836859109 | 2 | STUD BOLT -K14993(M) |
| | V836859109 | 3 | STUD BOLT K14994-(M) |
| 23 | V836647814 | 1 | RUBBER HOSE |
| 24 | V595959140 | 2 | PIN |
| 25 | V836740869 | 1 | CYLINDER HEAD |
| 26 | V836759472 | 1 | BRACKET |
| 27 | V835329746 | 1 | CABLE TIE |
| 28 | V836659103 | 1 | SPRING |
| 29 | V836659175 | 1 | STUD BOLT K14994-(M) |
| 30 | V836667062 | 1 | LIFTING EYE EXTENSION K14994-(M) |
| 31 | V836666199 | 1 | HEAT SHIELD L8344-(M) |

6800 TRACTOR (MEZZO SERIES)
SPIMG-006-21-22



| Item | Part Number | Qty | Description Comments |
|------|-------------|-----|-------------------------------|
| | V836746331 | 1 | ROCKER SHAFT ASM -F9292(M) |
| 1 | V835328363 | 8 | ROCKER ARM |
| 2 | V504800800 | 8 | NUT |
| 3 | V836010106 | 8 | VALVE ROCKER ADJUSTMENT SCREW |
| 4 | V836006586 | 8 | BEARING |
| 5 | V836006580 | 4 | BRACKET |
| 6 | V836006582 | 3 | SPRING |
| 7 | V836746330 | 1 | SHAFT |
| 8 | V836655113 | 2 | PLUG |
| | V836767044 | 1 | ROCKER SHAFT ASM F9293-(M) |
| 1 | V836666608 | 8 | ROCKER ARM -S12222(M) |
| 2 | V512861000 | 8 | NUT |
| 3 | V836655866 | 8 | ADJUSTING SCREW -S12222(M) |
| 5 | V836655869 | 4 | BRACKET |
| 6 | V836655884 | 3 | SPRING |
| 7 | V836755871 | 1 | SHAFT |
| 8 | V836655899 | 2 | PLUG -S12222(M) |
| 9 | V836110237 | 8 | PUSHROD -F9292(M) |
| | V836655867 | 8 | PUSHROD F9293-(M) |
| 10 | V836014264 | 8 | TAPPET |
| 11 | V836746375 | 1 | CAMSHAFT |
| 12 | V603305760 | 1 | WOODRUFF KEY |
| 13 | V836646389 | 1 | GEAR,CAMSHAFT |
| 14 | V836646382 | 16 | COTTER |
| 15 | V836646381 | 15 | WASHER |
| 16 | V836646380 | 8 | SPRING |
| 17 | V836646357 | 4 | EXHAUST VALVE |
| 18 | V836646356 | 4 | INTAKE VALVE |
| 19 | V836655406 | 4 | SLEEVE NUT F9293-(M) |

6800 TRACTOR (MEZZO SERIES)
SPIMG-006-21-28



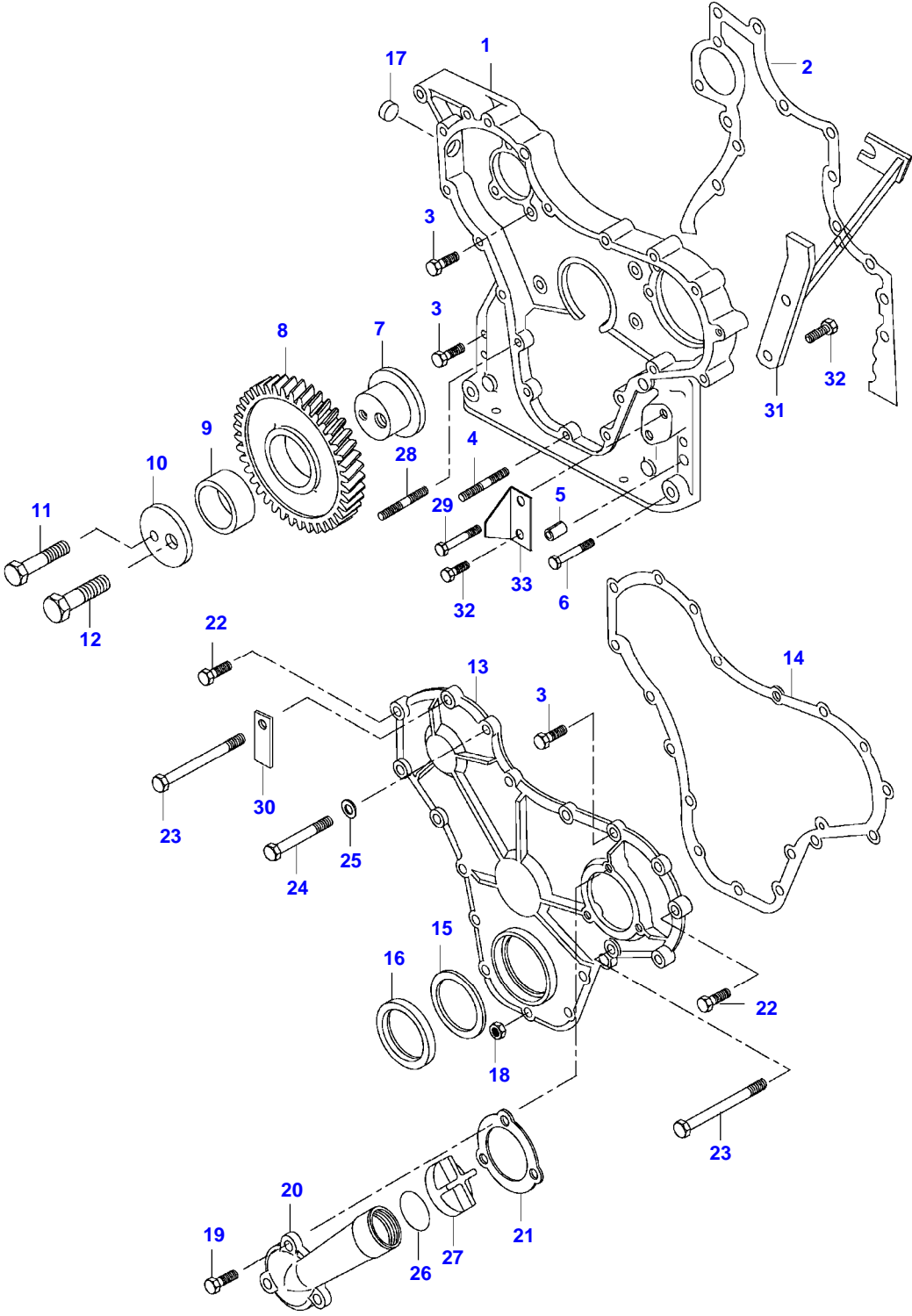
| Item | Part Number | Qty | Description Comments | Technical Specification |
|------|-------------|-----|---------------------------------------|-------------------------|
| 1 | V836747324 | 1 | CRANKSHAFT | |
| 2 | V836124524 | 1 | GEAR | |
| 3 | V603345110 | 1 | KEY | |
| 4 | V836640073 | 4 | PISTON | |
| 5 | NS | 4 | NON-SERVICEABLE PART | |
| 6 | NS | 8 | PISTON PIN NON-SERVICEABLE PART | |
| 7 | V836640078 | 4 | CIRCLIP PISTON RING KIT | |
| 8 | V836647460 | 4 | CONROD | |
| | V836652104 | | 2150-2169 G X -L12265(M) CONROD | |
| | V836652105 | | 2170-2189 G A -L12265(M) CONROD | |
| | V836652106 | | 2190-2209 G B -L12265(M) CONROD | |
| | V836652107 | | 2210-2229 G C -L12265(M) CONROD | |
| | V836652108 | | 2230-2249 G D -L12265(M) CONROD | |
| | V836652109 | | 2250-2269 G E -L12265(M) CONROD | |
| | V836652110 | | 2270-2289 G H -L12265(M) CONROD | |
| | V836652111 | | 2290-2309 G I -L12265(M) CONROD | |
| | V836652112 | | 2310-2329 G J -L12265(M) CONROD | |
| | V836652113 | | 2330-2349 G K -L12265(M) CONROD | |
| | V836652114 | | 2350-2369 G L -L12265(M) CONROD | |
| | V836652115 | | 2370-2389 G M -L12265(M) CONROD | |
| | V836652116 | | 2390-2409 G N -L12265(M) CONROD | |
| | V836652117 | | 2410-2429 G O -L12265(M) CONROD | |
| | V836652118 | | 2430-2449 G P -L12265(M) CONROD | |
| | V836652119 | | 2450-2469 G R -L12265(M) CONROD | |
| | V836652119 | | 2470-2489 G S -L12265(M) CONROD | |

| Item | Part Number | Qty | Description Comments | Technical Specification |
|------|-------------|-----|--|-------------------------|
| | V836652120 | | CONROD 2490-2509 G T -L12265(M) | |
| | V836652121 | | CONROD 2510-2529 G U -L12265(M) | |
| 38 | NS | | NON-SERVICEABLE PART CONNECTING ROD 1935-1954 G F L12266-(M) [A] | |
| | NS | | NON-SERVICEABLE PART CONNECTING ROD 1955-1974 G V L12266-(M) [A] | |
| | NS | | NON-SERVICEABLE PART CONNECTING ROD 1975-1994 G X L12266-(M) [A] | |
| | NS | | NON-SERVICEABLE PART CONNECTING ROD 1995-2014 G Y L12266-(M) [A] | |
| | NS | | NON-SERVICEABLE PART CONNECTING ROD 2015-2034 G W L12266-(M) [A] | |
| | NS | | NON-SERVICEABLE PART CONNECTING ROD 2035-2054 G Z L12266-(M) [A] | |
| | NS | | NON-SERVICEABLE PART CONNECTING ROD 2055-2074 G G L12266-(M) [A] | |
| 9 | V836646204 | 8 | CONNECTING ROD BOLT . -L12265(M) | |
| 39 | V836864141 | 8 | CONNECTING ROD BOLT . L12266-(M) [A] | |
| 10 | V836646205 | 8 | NUT . -L12265(M) | |
| 11 | V836646271 | 4 | BEARING BUSH . -L12265(M) | |
| 40 | V836110646 | 4 | BEARING BUSH . L12266-(M) [A] | STD |
| 12 | V836110552 | 4 | BEARING SHELL SEE PAGE 01-0033 | |
| 13 | V836655514 | 5 | MAIN BEARING SEE PAGE 01-0033 | |
| 14 | V836119459 | 2 | THRUST WASHER SEE PAGE 01-0033 | |
| 15 | V836119550 | 1 | GEAR,CRANKSHAFT | |
| 16 | V836122840 | 1 | GEAR,CRANKSHAFT | |

| Item | Part Number | Qty | Description Comments | Technical Specification |
|------|-------------|-----|--------------------------|-------------------------|
| 17 | V836129781 | 1 | RING | |
| 18 | V836136271 | 1 | SHIELD | |
| 19 | V836846463 | 1 | CRANKSHAFT HUB | |
| 20 | V836655534 | 1 | CRANKSHAFT V-BELT PULLEY | |
| 21 | V836647310 | 1 | CRANKSHAFT NUT | |
| 22 | V581804600 | 6 | HEX SOCKET SCREW | |
| 23 | V836747349 | 1 | BALANCER | |
| | | | -L10351(M) | |
| | V836766123 | 1 | COUNTERWEIGHT | |
| | | | L10352-(M) | |
| 24 | V616810103 | 2 | BALL | |
| 25 | V836146879 | 2 | SHAFT | |
| 26 | V581804200 | 2 | HEX SOCKET SCREW | |
| 27 | V836146880 | 4 | THRUST WASHER | |
| 28 | V836146877 | 1 | GEAR | |
| | | | -L10351(M) | |
| | V836766121 | 1 | COUNTERWEIGHT | |
| | | | L10352-(M) | |
| 29 | V836146876 | 2 | BEARING BUSH | |
| 30 | V836146878 | 1 | GEAR | |
| | | | -L10351(M) | |
| | V836766122 | 1 | COUNTERWEIGHT | |
| | | | L10352-(M) | |
| 31 | V836146876 | 2 | BEARING BUSH | |
| 32 | V836119920 | | SHIM | |
| 33 | V598359850 | 2 | PIN | |
| 34 | V836747298 | 1 | OIL PIPE | |
| 35 | V641016008 | 1 | STRAIGHT FITTING | |
| 36 | V640435008 | 2 | BANJO BOLT | |
| 37 | V581805170 | 4 | HEX SOCKET SCREW | |

[A] V836740859 CONNECTING ROD SET L12266-(M), REF. 38, 39, 40

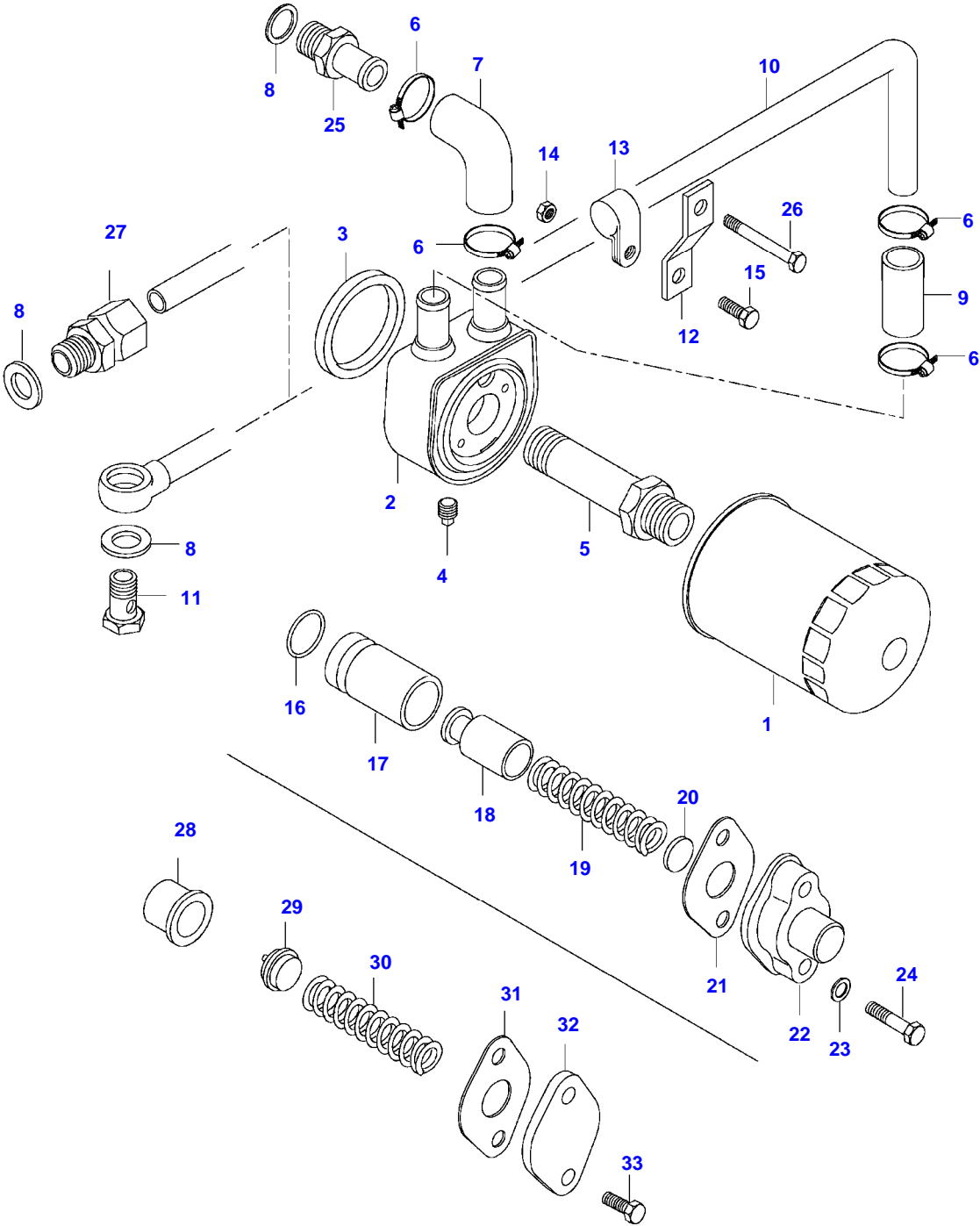
6800 TRACTOR (MEZZO SERIES)
SPIMG-006-21-32-



| Item | Part Number | Qty | Description Comments |
|------|-------------|-----|--------------------------|
| 1 | V836647406 | 1 | TIMING GEAR CASE |
| 2 | V836647419 | 1 | GASKET S2 |
| 3 | V528801400 | 11 | HEX CAP SCREW |
| 4 | V546801380 | 4 | STUD BOLT |
| 5 | V598359850 | 4 | PIN |
| 6 | V529801440 | 2 | HEX CAP SCREW |
| 7 | V836129709 | 1 | SHAFT |
| 8 | V836129863 | 1 | IDLER GEAR |
| 9 | V836129844 | 1 | BEARING BUSH |
| 10 | V836129845 | 1 | FLANGE |
| 11 | V528801860 | 1 | HEX CAP SCREW |
| 12 | V529902680 | 1 | HEX CAP SCREW |
| 13 | V836647572 | 1 | GEAR HOUSING FRONT COVER |
| 14 | V836129942 | 1 | GASKET S2 |
| 15 | V836129782 | 1 | COVER |
| 16 | V614105880 | 1 | OIL SEAL S2 |
| 17 | V640016016 | 1 | CUP PLUG |
| 18 | V504800800 | 5 | NUT |
| 19 | V528801380 | 3 | HEX CAP SCREW |
| 20 | V836746921 | 1 | PIPE |
| 21 | V836129946 | 1 | GASKET S2 |
| 22 | V528801420 | 4 | HEX CAP SCREW |
| 23 | V529801500 | 2 | HEX CAP SCREW |
| 24 | V529801470 | 1 | HEX CAP SCREW |
| 25 | V836120989 | 1 | WASHER |
| 26 | V614604740 | 1 | O-RING S2 |
| 27 | V836338733 | 1 | OIL FILLER CAP |
| 29 | V529801450 | 1 | HEX CAP SCREW |

6800 TRACTOR (MEZZO SERIES)
SPIMG-006-21-36

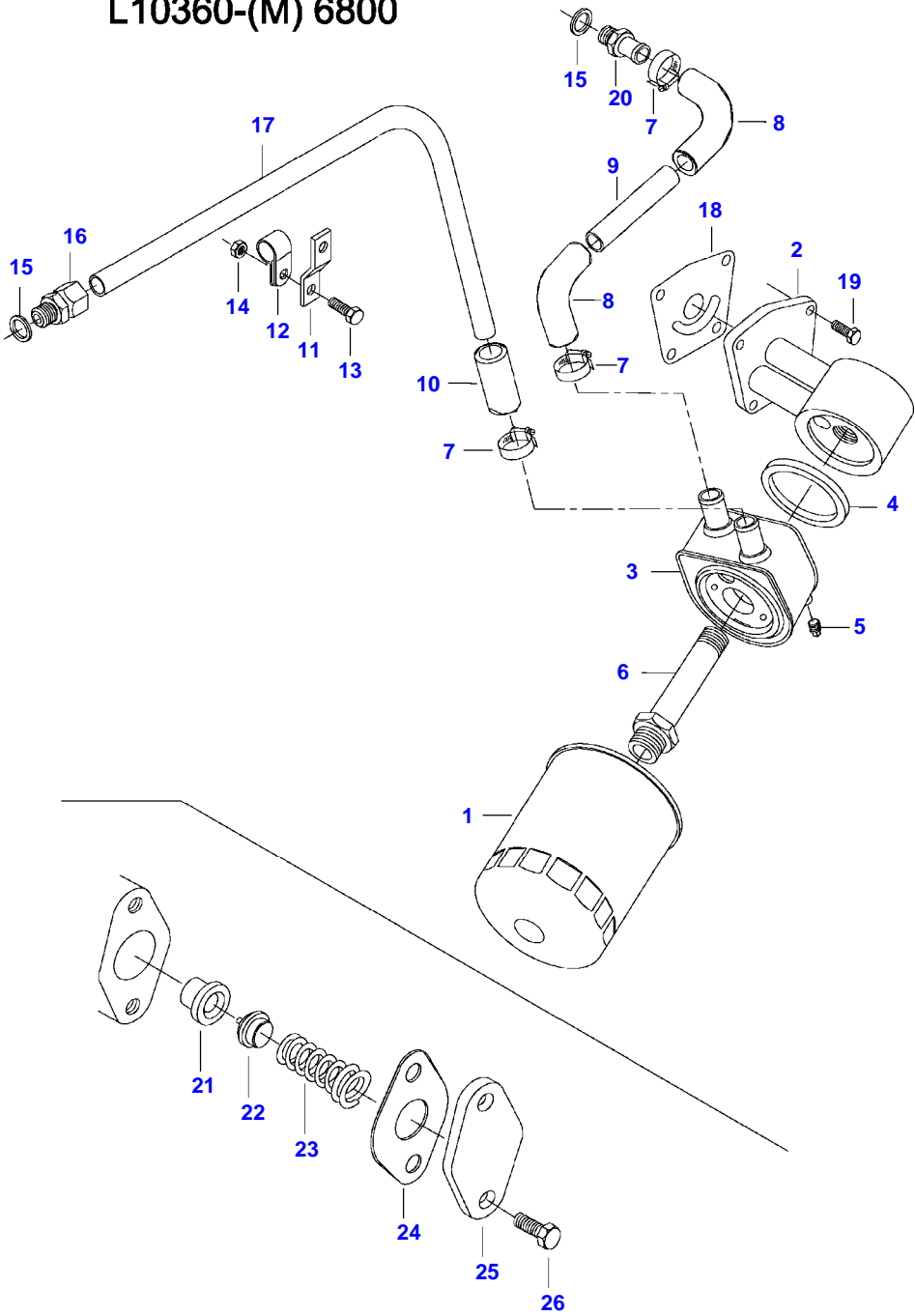
6800 -L10359(M)



| Item | Part Number | Qty | Description Comments |
|------|-------------|-----|--|
| | | | -L10359(M) |
| 1 | V836662580 | 1 | ENGINE OIL FILTER |
| 2 | V836129315 | 1 | OIL COOLER |
| 3 | V835331586 | 1 | SEALING WASHER |
| 4 | V836131366 | 1 | PLUG |
| 5 | V836647405 | 1 | UNION |
| 6 | V602079516 | 4 | HOSE CLIP |
| 7 | V836747124 | 1 | RUBBER ELBOW |
| 8 | V615881822 | 3 | SEALING WASHER S2 |
| 9 | V836129978 | 1 | RUBBER HOSE |
| 10 | V836747848 | 1 | PIPE |
| 12 | V836747849 | 1 | SUPPORT -L10359(M) |
| 13 | V602060615 | 1 | RETAINER CLAMP |
| 14 | V504800800 | 1 | NUT |
| 15 | V528801380 | 1 | HEX CAP SCREW |
| 16 | V614601524 | 1 | O-RING S2 |
| 17 | V836117834 | 1 | CYLINDER |
| 18 | V836338850 | 1 | OIL PRESSURE CONTROL VALVE |
| 19 | V836117836 | 1 | SPRING -L10359(M) |
| 20 | V836020290 | 1 | INJECTOR SHIM |
| 21 | V836322190 | 1 | GASKET S2 |
| 22 | V836129849 | 1 | COVER |
| 23 | V500950800 | 1 | SPRING WASHER |
| 24 | V528801420 | 2 | HEX CAP SCREW |
| 25 | V836119837 | 1 | HOSE COUPLER |
| 26 | V528801400 | 1 | HEX CAP SCREW -L10359(M) |
| 27 | V641086015 | 1 | STRAIGHT FITTING -L10359(M) |
| | V836662129 | 1 | OIL PRESSURE CONTROL VALVE J7668(M)-L10359(M) |
| 28 | V836659521 | 1 | VALVE SEAT |
| 29 | V836659522 | 1 | VALVE CONE |
| 30 | V836659523 | 1 | SPRING -L10359(M) |
| 31 | V836322190 | 1 | GASKET |
| 32 | V836659524 | 1 | COVER |
| 33 | V528801380 | 1 | HEX CAP SCREW |

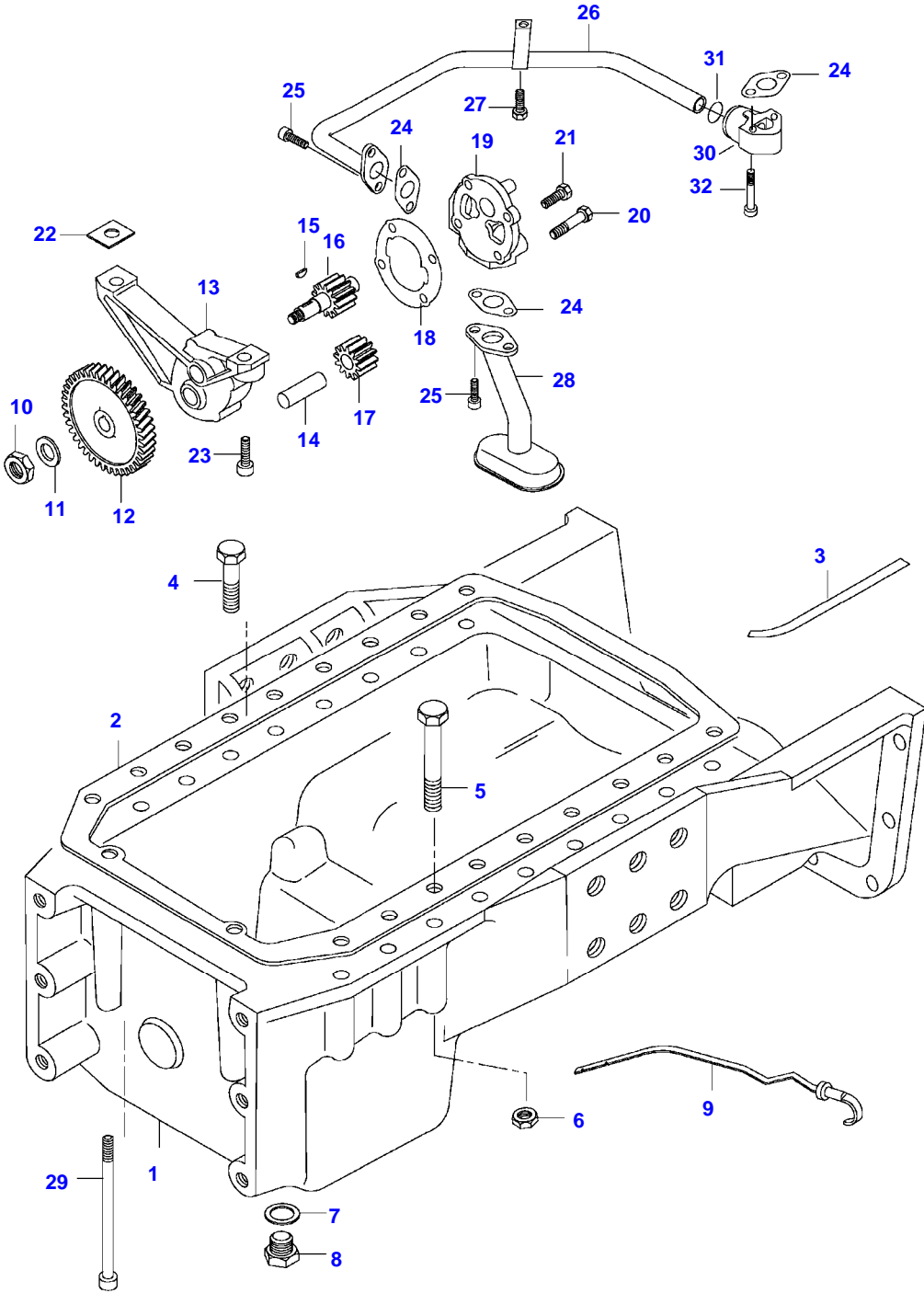
6800 TRACTOR (MEZZO SERIES)
SPIMG-006-21-36A

L10360-(M) 6800



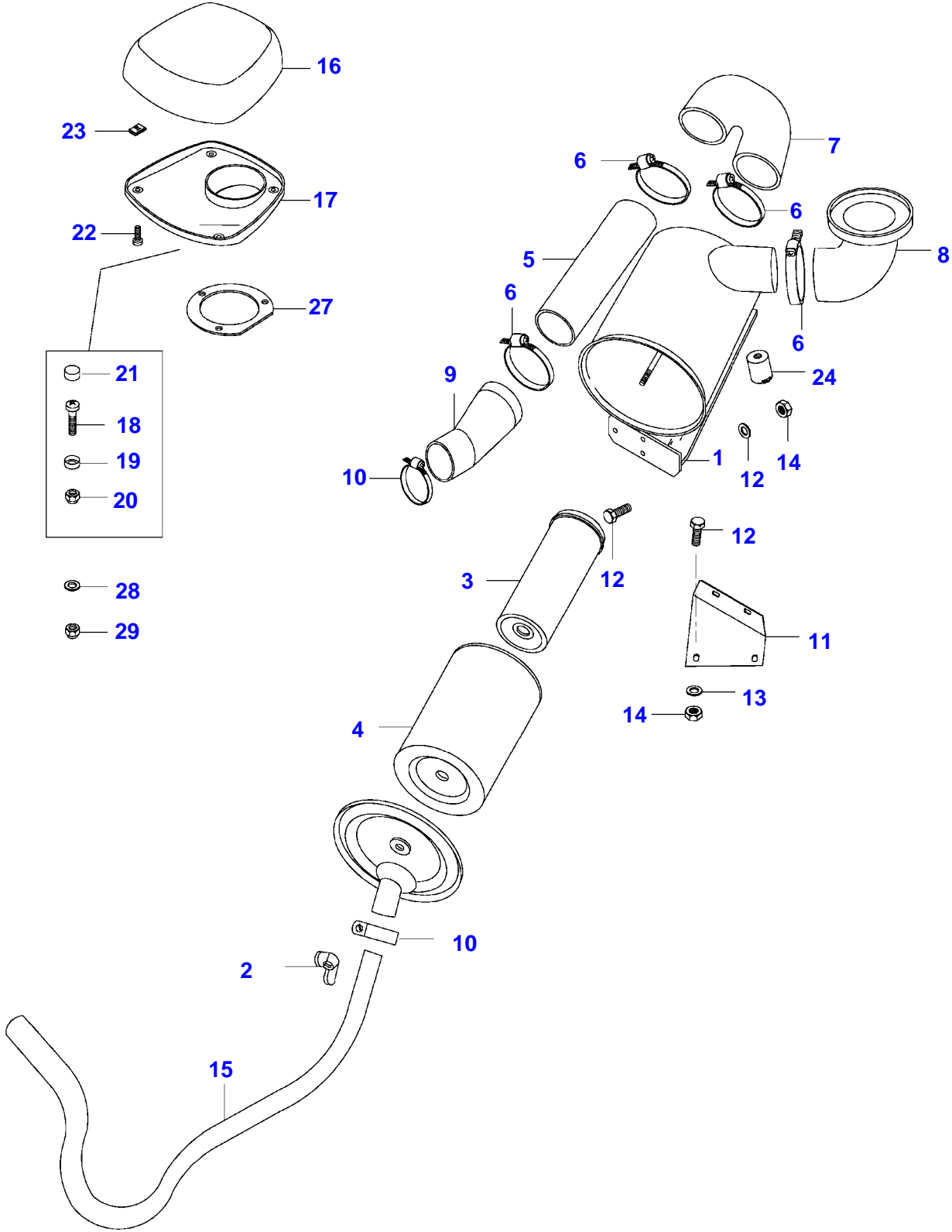
| Item | Part Number | Qty | Description Comments |
|------|-------------|-----|----------------------------|
| | | | L10360-(M) |
| 1 | V836662580 | 1 | ENGINE OIL FILTER |
| | V836747900 | 1 | OIL FILTER ADAPTER |
| 2 | V836747899 | 1 | OIL FILTER ADAPTER |
| 3 | V836129315 | 1 | OIL COOLER |
| 4 | V835331586 | 1 | SEALING WASHER |
| 5 | V836131366 | 1 | PLUG |
| 6 | V836859700 | 1 | UNION |
| 7 | V602079516 | 6 | HOSE CLIP |
| 8 | V836747124 | 2 | RUBBER ELBOW |
| 9 | V836752026 | 1 | PIPE |
| 10 | V836129978 | 1 | RUBBER HOSE |
| 11 | V836747849 | 1 | SUPPORT |
| 12 | V602060615 | 1 | RETAINER CLAMP |
| 13 | V528801380 | 1 | HEX CAP SCREW |
| 14 | V504800800 | 1 | NUT |
| 15 | V615881822 | 2 | SEALING WASHER S2 |
| 16 | V641086015 | 1 | STRAIGHT FITTING |
| 17 | V836752027 | 1 | PIPE |
| 18 | V836747901 | 1 | GASKET |
| 19 | V528801400 | 4 | HEX CAP SCREW |
| 20 | V836119837 | 1 | HOSE COUPLER |
| | V836662129 | 1 | OIL PRESSURE CONTROL VALVE |
| 21 | V836659521 | 1 | VALVE SEAT |
| 22 | V836659522 | 1 | VALVE CONE |
| 23 | V836659523 | 1 | SPRING |
| 24 | V836322190 | 1 | GASKET S2 |
| 25 | V836659524 | 1 | COVER |
| 26 | V528801380 | 2 | HEX CAP SCREW |

6800 TRACTOR (MEZZO SERIES)
SPIMG-006-21-40



| Item | Part Number | Qty | Description Comments |
|------|-------------|-----|-----------------------------------|
| 1 | V836136014 | 1 | OIL SUMP (V30146600) |
| 2 | V836129728 | 1 | OIL SUMP GASKET S2 |
| 3 | V836129727 | 2 | GASKET S2 |
| 4 | V529702270 | 11 | HEX CAP SCREW |
| 5 | V529902390 | 7 | HEX CAP SCREW |
| 6 | V504801200 | 18 | NUT |
| 7 | V615882432 | 1 | SEALING WASHER S2 |
| | V615881827 | 1 | SEALING WASHER S2 |
| 8 | V836655495 | 1 | PLUG |
| | V836655493 | 1 | PLUG |
| 9 | V836129939 | 1 | DIPSTICK -R13715(M) |
| | V836652605 | 1 | LUBRICATING OIL PUMP C1328-(M) |
| 10 | V504861000 | 1 | NUT |
| 11 | V836122910 | 1 | WASHER |
| 12 | V836338667 | 1 | GEAR C1328-(M) |
| 13 | V836120195 | 1 | HOUSING |
| 14 | V836120191 | 1 | OIL PUMP SHAFT |
| 16 | V836652600 | 1 | OIL PUMP SHAFT C1328-(M) |
| 17 | V836120193 | 1 | GEAR |
| 18 | V836119796 | 1 | GASKET S2 |
| 19 | V836129412 | 1 | COVER |
| 20 | V529801440 | 2 | HEX CAP SCREW |
| 21 | V528801380 | 2 | HEX CAP SCREW |
| 22 | V836007871 | | SHIM |
| 23 | V581805050 | 2 | HEX SOCKET SCREW |
| 24 | V836008449 | 3 | GASKET S2 |
| 25 | V581804600 | 4 | HEX SOCKET SCREW |
| 26 | V836766983 | 1 | OIL PIPE |
| 27 | V528801760 | 1 | HEX CAP SCREW |
| 28 | V836138033 | 1 | AIR PIPE |
| 29 | V581704800 | 2 | HEX SOCKET SCREW |
| 30 | V836766984 | 1 | ADAPTER FLANGE |
| 31 | V614701830 | 1 | O-RING |
| 32 | V581804680 | 2 | HEX SOCKET SCREW |

6800 TRACTOR (MEZZO SERIES)
SPIMG-006-21-48



Thank you so much for reading.
Please click the “Buy Now!”
button below to download the
complete manual.



After you pay.

You can download the most
perfect and complete manual in
the world immediately.

Our support email:

ebooklibonline@outlook.com