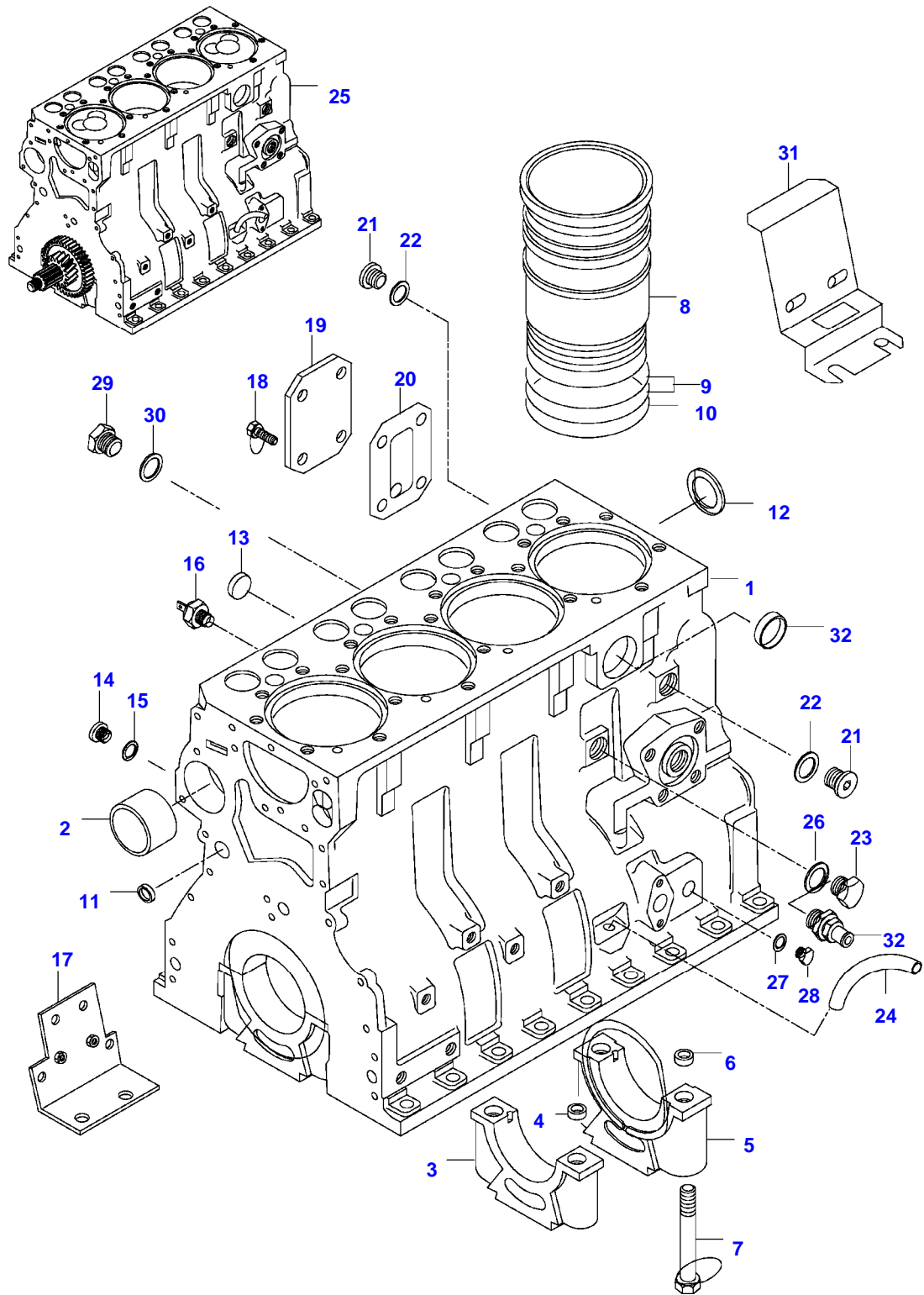


Page Number	Page Title	Page Reference
01-000-TOC	ENGINE, FUEL AND EXHAUST SYSTEM	01-000-TOC
02-000-TOC	AXLES	02-000-TOC
03-000-TOC	STEERING SYSTEM	03-000-TOC
04-000-TOC	DRIVE TRAIN SYSTEM	04-000-TOC
05-000-TOC	BRAKE SYSTEM	05-000-TOC
06-000-TOC	COMPRESSED AIR SYSTEM	06-000-TOC
07-000-TOC	HYDRAULIC SYSTEM	07-000-TOC
08-000-TOC	ELECTRICAL SYSTEM	08-000-TOC
09-000-TOC	CAB	09-000-TOC
10-000-TOC	AIR CONDITIONING AND HEATING SYSTEM	10-000-TOC
11-000-TOC	CHASSIS	11-000-TOC
12-000-TOC	DECALS	12-000-TOC
13-000-TOC	WHEELS	13-000-TOC
14-000-TOC	IMPLEMENT DRIVE SYSTEM	14-000-TOC
15-000-TOC	IMPLEMENT LIFT SYSTEM FRONT	15-000-TOC
16-000-TOC	IMPLEMENT LIFT SYSTEM REAR	16-000-TOC
17-000-TOC	PRECISION FARMING SYSTEMS	17-000-TOC
18-000-TOC	ATTACHMENTS	18-000-TOC
19-000-TOC	GENERAL INFORMATION	19-000-TOC

Page Number	Page Title	Page Reference
01-0001	CYLINDERBLOCK	21-04
01-0002	FLYWHEEL AND HOUSING	21-08
01-0003	CYLINDER HEAD	21-16
01-0004	VALVE MECHANISM	21-22
01-0005	CRANK MECHANISM	21-28
01-0006	GEAR HOUSING	21-32
01-0007	OIL FILTER -L10359(M)	21-36
01-0008	OIL FILTER L10360-(M)	21-36A
01-0009	OIL SUMP	21-40
01-0010	AIR CLEANER	21-48
01-0011	INTAKE- AND EXHAUST PIPE	21-58
01-0012	MUFFLER	21-64
01-0013	TURBOCHARGER	21-72
01-0014	TURBOCHARGER	21-78
01-0015	COLD-STARTING DEVICE	21-80
01-0016	FEED PUMP	22-04
01-0017	FUEL FILTER G16522-N19955(M)	22-16
01-0018	FUEL PIPES	22-30
01-0019	INJECTION PUMP L10010-(M)	22-36A
01-0020	SPEED LEVERS	22-50
01-0021	RADIATOR	23-02
01-0022	COOLANT PUMP -K10682(M)	23-12
01-0023	COOLANT PUMP K10683-(M)	23-10A
01-0024	STARTERMOTOR -F3792 H1231-	31-02
01-0025	STARTERMOTOR	31-04
01-0026	ALTERNATOR -H15230	31-08
01-0027	ALTERNATOR H6362-(M)	31-12
01-0028	ALTERNATOR H6362-(M)	31-14
01-0029	GASKET SETS	28-04
01-0030	GASKET SETS	28-10
01-0031	ENGINE REPAIR KIT AND BEARING	28-14
01-0032	ADJUSTING PLATE FOR INJECTOR	28-18
01-0033	PREFILTER (OPTIONAL EQUIPMENT)	29-02
01-0034	CATALYZER (OPTIONAL EQUIPMENT)	29-16
01-0035	PILLAR EXHAUST PIPE (OPTIONAL EQUIPMENT)	29-18
01-0036	ELECTRIC STOP (OPTIONAL EQUIPMENT)	39-34
01-0037	ENGINE HEATER (OPTIONAL EQUIPMENT)	39-04

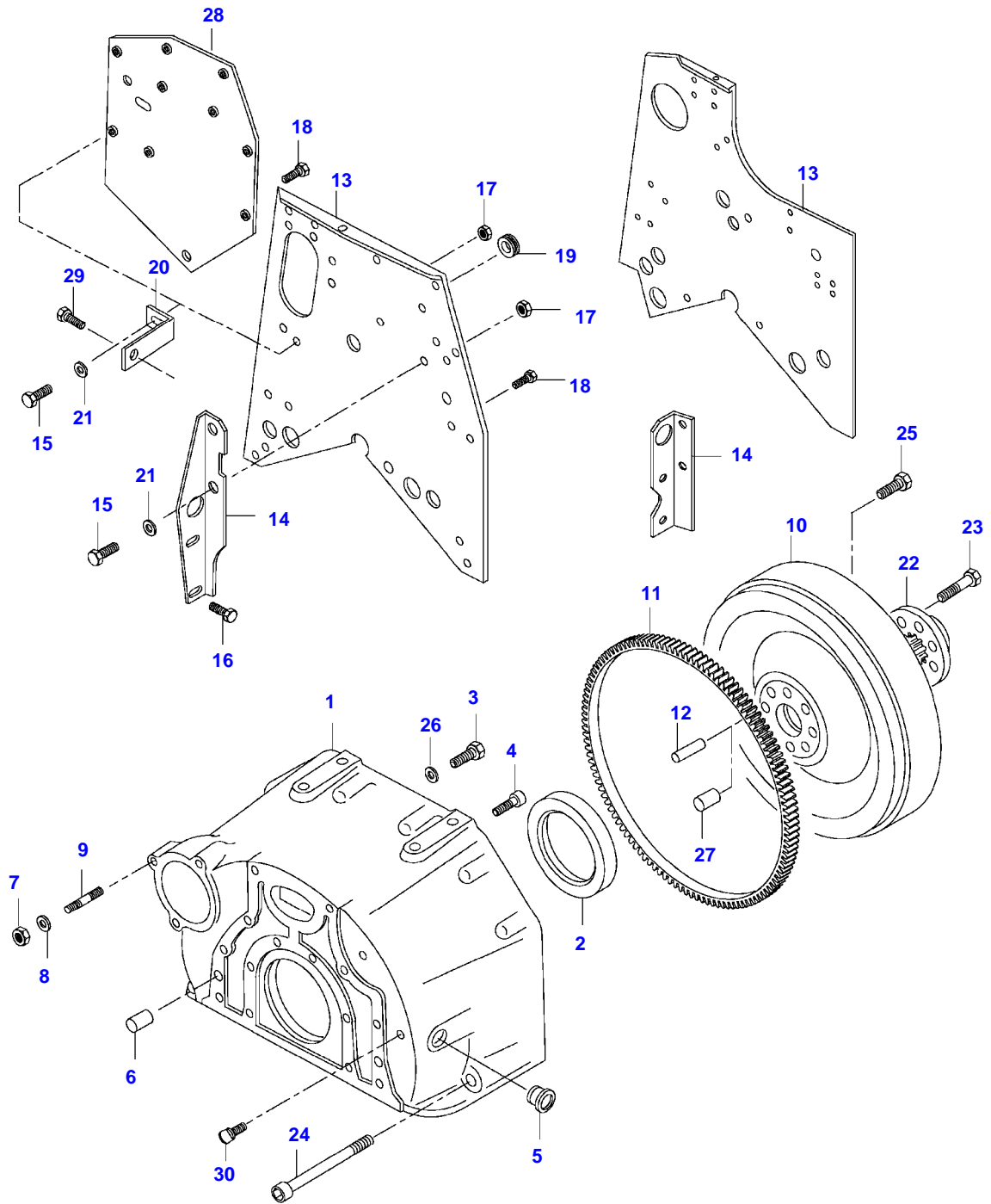
6800E TRACTOR (MEZZO SERIES)
SPIMG-006-21-04



Item	Part Number	Qty	Description Comments	Technical Specification
1	V836766377	1	CYLINDER BLOCK	
2	V836866069	1	CAMSHAFT BEARING BUSHING	
3	NS	4	NON-SERVICEABLE PART	
4	V836214478	8	BEARING COVER GUIDE SLEEVE	
5	NS	1	NON-SERVICEABLE PART	
6	V836214478	2	BEARING COVER GUIDE SLEEVE	
7	V835329030	10	HEX CAP SCREW	
8	V836666990	4	LINER	
	V836647933		LINER FLANGE S=9.08	FLANGE HEIGHT + 0.05 MM
	V836647934		LINER FLANGE S=9.13	FLANGE HEIGHT + 0.10 MM
	V836647935		LINER FLANGE S=9.23	FLANGE HEIGHT + 0.15 MM
9	V836647502	8	CYLINDER LINER O-RING S2	
10	V836647503	4	CYLINDER LINER O-RING S2	
11	V640016016	4	CUP PLUG	
12	V836529872	1	PLUG	
13	V640016018	1	CUP PLUG	
14	V640325110	2	SCREW PLUG	
15	V615571014	2	SEALING WASHER S2	
16	V887283760	1	PRESSURE SWITCH	
17	V836647927	1	RETAINING PLATE LEFT	
	V836647926	1	RETAINING PLATE RIGHT	
18	V528801362	2	HEX CAP SCREW -H2058(M)	
	V528801362	4	HEX CAP SCREW H2059-(M)	
19	V836647400	1	COVER -H2058(M)	
	V836866957	1	COVER H2059-(M)	
20	V836647401	1	GASKET -H2058(M)	
	V836866958	1	GASKET H2059-(M) S2	
21	V640325018	2	PLUG	
22	V615881822	2	SEALING WASHER	
23	V836019756	1	PLUG	
24	V836129747	1	OIL DIPSTICK GUIDE PIPE	
25	V862640001	1	REMANUFACTURED SHORT BLOCK ENGINE	
26	V615881824	1	SEALING WASHER S2	
27	V615881216	1	SEALING WASHER S2	
28	V640305012	1	PLUG	
31	V836755844	2	SUPPORT	
32	V836664377	1	DRAIN VALVE	

Item	Part Number	Qty	Description Comments	Technical Specification
	V836740280	1	ENGINE GASKET KIT S1	
	V836740281	1	ENGINE GASKET KIT S1+S2	

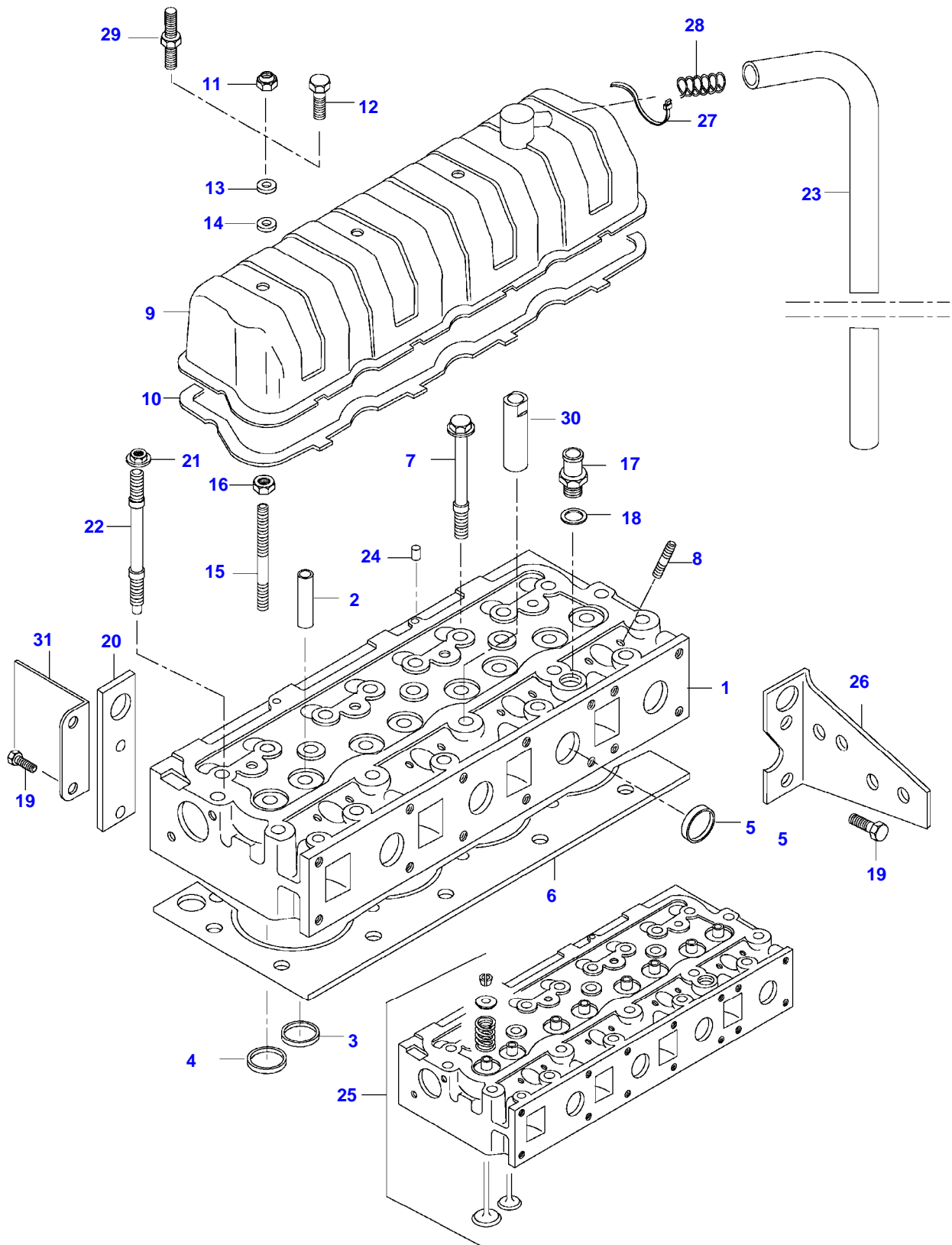
6800E TRACTOR (MEZZO SERIES)
SPIMG-006-21-08



Item	Part Number	Qty	Description Comments	Technical Specification
1	V836647040	1	FLYWHEEL HOUSING	
	V836647439	1	FLYWHEEL HOUSING HYDRAULIC CLUTCH VOITH	
	V836146956	1	FLYWHEEL HYDRAULIC CLUTCH TRANSFLUID	
2	V614500002	1	CRANKSHAFT SEAL S2	
3	V529702220	8	HEX CAP SCREW	
4	V581705030	6	HEX SOCKET SCREW	
5	V836007572	1	RUBBER PLUG	
6	V598359850	2	PIN	
7	V504601000	3	NUT	
8	V500951000	3	SPRING WASHER	
9	V546801800	3	STUD BOLT	
10	V836146784	1	FLYWHEEL	
	V836759818	1	FLYWHEEL H17045-(M)	
	V836752255	1	FLYWHEEL HYDRAULIC CLUTCH VOITH D 9373-(M)	
	V836759820	1	FLYWHEEL HYDRAULIC CLUTCH VOITH 666066-	
	V836752257	1	FLYWHEEL HYDRAULIC CLUTCH TRANSFLUID	
11	V835328783	1	STARTER RING	
12	V595955060	1	PIN	
13	V836647590	1	PLATE	
	V836755584	1	FLYWHEEL HOUSING UNITED STATES OF AMERICA	
	V836755845	1	FLYWHEEL HOUSING PILLAR EXHAUST PIPE	
14	V32999100	1	SUPPORT 1995-	
	V836755585	1	LIFT EYE UNITED STATES OF AMERICA	
15	V528801362	4	HEX CAP SCREW	
16	V528801380	2	HEX CAP SCREW	
	V528801800	2	HEX CAP SCREW	
17	V504800800	3	NUT	
18	V528802180	2	HEX CAP SCREW	
19	V835338745	1	RUBBER INLET	
20	V836755361	1	SUPPORT	
21	V500150842	3	WASHER	
22		1	HUB HYDRAULIC CLUTCH SEE PAGE 04-0002	
23	V529902240	7	HEX CAP SCREW HYDRAULIC CLUTCH SEE PAGE 04-0002	
24	VHC9784	2	HEX SOCKET SCREW	M12 X 140 SFS_EN_ISO_4762 12.9
25	V528702230	8	HEX CAP SCREW	
	V529702250	8	HEX CAP SCREW HYDRAULIC CLUTCH	
26	V500951200	8	SPRING WASHER	
27	V836659527	1	GUIDE SLEEVE H17045-(M)	
28	V836759798	1	BRACKET J6780-(M)	

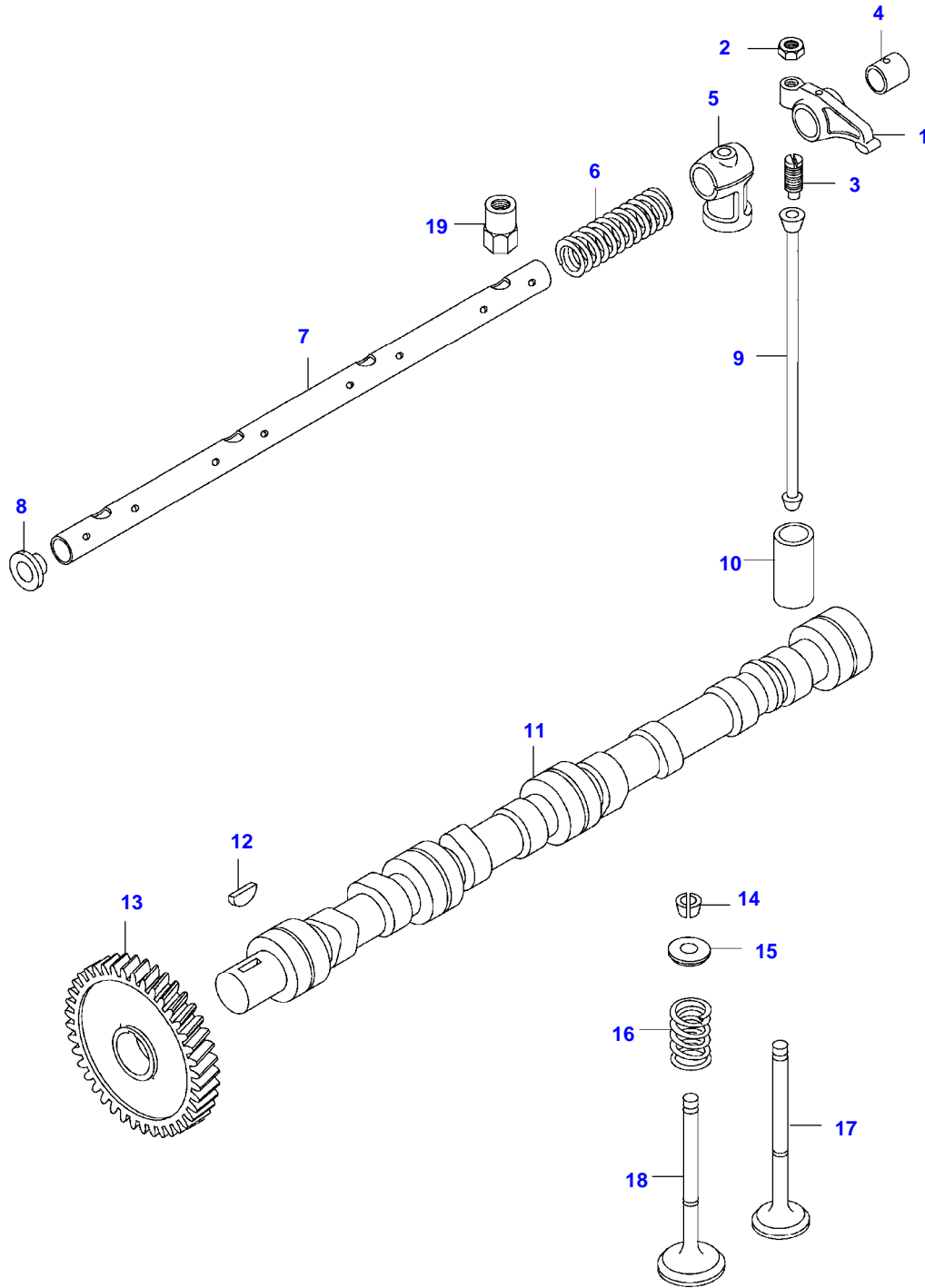
Item	Part Number	Qty	Description Comments	Technical Specification
29	V528801362	1	HEX CAP SCREW	
	V528801760	1	HEX CAP SCREW	
30	V836859311	1	PLUG	

6800E TRACTOR (MEZZO SERIES)
SPIMG-006-21-16



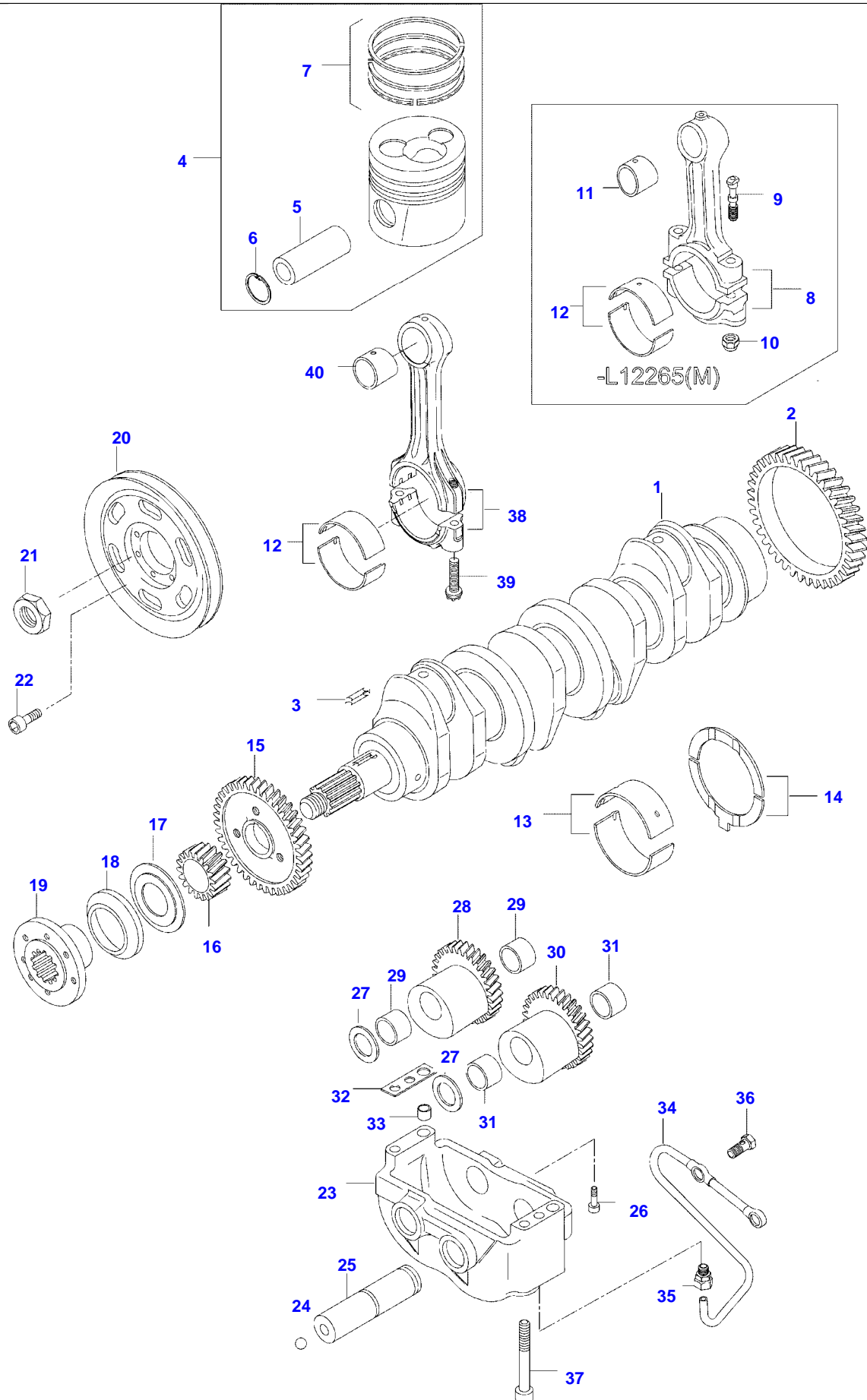
Item	Part Number	Qty	Description Comments
1	V836755385	1	CYLINDER HEAD
2	V836647601	8	GUIDE
4	V836647936	4	VALVE SEAT
5	V836647942	8	INTAKE VALVE CUP PLUG
6	V837070291	1	CYLINDER HEAD GASKET S1
7	V836859104	20	HEXAGON FLANGE BOLT -K14993(M)
	V836859104	19	HEXAGON FLANGE BOLT K14994-(M)
8	V546901435	8	STUD BOLT
9	V836746361	1	VALVE ROCKER COVER
10	V836746362	1	VALVE ROCKER COVER GASKET S1
11	V510601002	4	NUT
12	V528801780	4	HEX CAP SCREW F9293-(M)
13	V836119855	4	WASHER
14	V836012841	4	RUBBER BUSHING S1
15	V836652357	4	STUD BOLT -F9292(M)
	V546801900	4	STUD BOLT F9293-(M)
16	V504601000	4	NUT -F9292(M)
	V836655406	4	SLEEVE NUT F9293-(M)
17	V836119837	1	HOSE COUPLER
18	V615881822	1	SEALING WASHER S1
19	V528801380	2	HEX CAP SCREW
	V528801800	4	HEX CAP SCREW
20	V836855349	1	LIFT EYE
21	V836859110	2	NUT -K14993(M)
	V836859110	3	NUT K14994-(M)
22	V836859109	2	STUD BOLT -K14993(M)
	V836859109	3	STUD BOLT K14994-(M)
23	V836647814	1	RUBBER HOSE
24	V595959140	2	PIN
25	V836740869	1	CYLINDER HEAD
26	V836759472	1	BRACKET
27	V835329746	1	CABLE TIE
28	V836659103	1	SPRING
29	V836659175	1	STUD BOLT K14994-(M)
30	V836667062	1	LIFTING EYE EXTENSION K14994-(M)
31	V836666199	1	HEAT SHIELD L8344-(M)

6800E TRACTOR (MEZZO SERIES)
SPIMG-006-21-22



Item	Part Number	Qty	Description Comments
	V836746331	1	ROCKER SHAFT ASM -F9292(M)
1	V835328363	8	ROCKER ARM
2	V504800800	8	NUT
3	V836010106	8	VALVE ROCKER ADJUSTMENT SCREW
4	V836006586	8	BEARING
5	V836006580	4	BRACKET
6	V836006582	3	SPRING
7	V836746330	1	SHAFT
8	V836655113	2	PLUG
	V836767044	1	ROCKER SHAFT ASM F9293-(M)
1	V836666608	8	ROCKER ARM -S12222(M)
2	V512861000	8	NUT
3	V836655866	8	ADJUSTING SCREW -S12222(M)
5	V836655869	4	BRACKET
6	V836655884	3	SPRING
7	V836755871	1	SHAFT
8	V836655899	2	PLUG -S12222(M)
9	V836110237	8	PUSHROD -F9292(M)
	V836655867	8	PUSHROD F9293-(M)
10	V836014264	8	TAPPET
11	V836746375	1	CAMSHAFT
12	V603305760	1	WOODRUFF KEY
13	V836646389	1	GEAR,CAMSHAFT
14	V836646382	16	COTTER
15	V836646381	15	WASHER
16	V836646380	8	SPRING
17	V836646357	4	EXHAUST VALVE
18	V836646356	4	INTAKE VALVE
19	V836655406	4	SLEEVE NUT F9293-(M)

6800E TRACTOR (MEZZO SERIES)
SPIMG-006-21-28

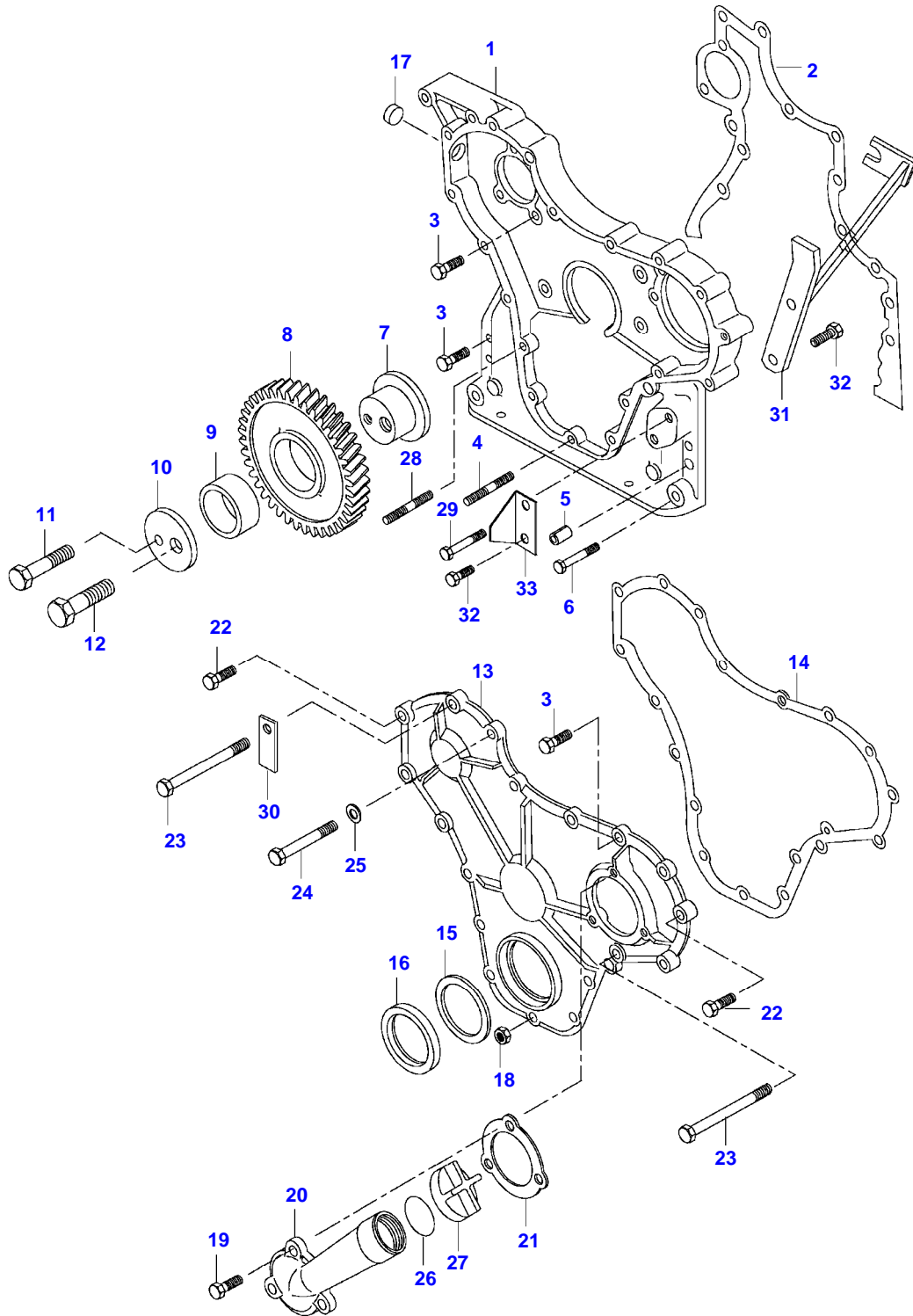


Item	Part Number	Qty	Description Comments	Technical Specification
1	V836747324	1	CRANKSHAFT	
2	V836124524	1	GEAR	
3	V603345110	1	KEY	
4	V836640073	4	PISTON	
5	NS	4	NON-SERVICEABLE PART	
6	NS	8	PISTON PIN NON-SERVICEABLE PART	
7	V836640078	4	CIRCLIP PISTON RING KIT	
8	V836647460	4	CONROD	
	V836652104		2150-2169 G X -L12265(M) CONROD	
	V836652105		2170-2189 G A -L12265(M) CONROD	
	V836652106		2190-2209 G B -L12265(M) CONROD	
	V836652107		2210-2229 G C -L12265(M) CONROD	
	V836652108		2230-2249 G D -L12265(M) CONROD	
	V836652109		2250-2269 G E -L12265(M) CONROD	
	V836652110		2270-2289 G H -L12265(M) CONROD	
	V836652111		2290-2309 G I -L12265(M) CONROD	
	V836652112		2310-2329 G J -L12265(M) CONROD	
	V836652113		2330-2349 G K -L12265(M) CONROD	
	V836652114		2350-2369 G L -L12265(M) CONROD	
	V836652115		2370-2389 G M -L12265(M) CONROD	
	V836652116		2390-2409 G N -L12265(M) CONROD	
	V836652117		2410-2429 G O -L12265(M) CONROD	
	V836652118		2430-2449 G P -L12265(M) CONROD	
	V836652119		2450-2469 G R -L12265(M) CONROD	
	V836652119		2470-2489 G S -L12265(M) CONROD	

Item	Part Number	Qty	Description Comments	Technical Specification
	V836652120		CONROD 2490-2509 G T -L12265(M)	
	V836652121		CONROD 2510-2529 G U -L12265(M)	
38	NS		NON-SERVICEABLE PART CONNECTING ROD 1935-1954 G F L12266-(M) [A]	
	NS		NON-SERVICEABLE PART CONNECTING ROD 1955-1974 G V L12266-(M) [A]	
	NS		NON-SERVICEABLE PART CONNECTING ROD 1975-1994 G X L12266-(M) [A]	
	NS		NON-SERVICEABLE PART CONNECTING ROD 1995-2014 G Y L12266-(M) [A]	
	NS		NON-SERVICEABLE PART CONNECTING ROD 2015-2034 G W L12266-(M) [A]	
	NS		NON-SERVICEABLE PART CONNECTING ROD 2035-2054 G Z L12266-(M) [A]	
	NS		NON-SERVICEABLE PART CONNECTING ROD 2055-2074 G G L12266-(M) [A]	
9	V836646204	8	CONNECTING ROD BOLT . -L12265(M)	
39	V836864141	8	CONNECTING ROD BOLT . L12266-(M) [A]	
10	V836646205	8	NUT . -L12265(M)	
11	V836646271	4	BEARING BUSH . -L12265(M)	
40	V836110646	4	BEARING BUSH . L12266-(M) [A]	STD
12	V836110552	4	BEARING SHELL SEE PAGE 01-0031	
13	V836655514	5	MAIN BEARING SEE PAGE 01-0031	
14	V836119459	2	THRUST WASHER SEE PAGE 01-0031	
15	V836119550	1	GEAR,CRANKSHAFT	
16	V836122840	1	GEAR,CRANKSHAFT	

Item	Part Number	Qty	Description Comments	Technical Specification
17	V836129781	1	RING	
18	V836136271	1	SHIELD	
19	V836846463	1	CRANKSHAFT HUB	
20	V836655534	1	CRANKSHAFT V-BELT PULLEY	
21	V836647310	1	CRANKSHAFT NUT	
22	V581804600	6	HEX SOCKET SCREW	
23	V836747349	1	BALANCER	
			-L10351(M)	
	V836766123	1	COUNTERWEIGHT	
			L10352-(M)	
24	V616810103	2	BALL	
25	V836146879	2	SHAFT	
26	V581804200	2	HEX SOCKET SCREW	
27	V836146880	4	THRUST WASHER	
28	V836146877	1	GEAR	
			-L10351(M)	
	V836766121	1	COUNTERWEIGHT	
			L10352-(M)	
29	V836146876	2	BEARING BUSH	
30	V836146878	1	GEAR	
			-L10351(M)	
	V836766122	1	COUNTERWEIGHT	
			L10352-(M)	
31	V836146876	2	BEARING BUSH	
32	V836119920		SHIM	
33	V598359850	2	PIN	
34	V836747298	1	OIL PIPE	
35	V641016008	1	STRAIGHT FITTING	
36	V640435008	2	BANJO BOLT	
37	V581805170	4	HEX SOCKET SCREW	
			[A] V836740859 CONNECTING ROD SET L12266-(M), REF. 38, 39, 40	

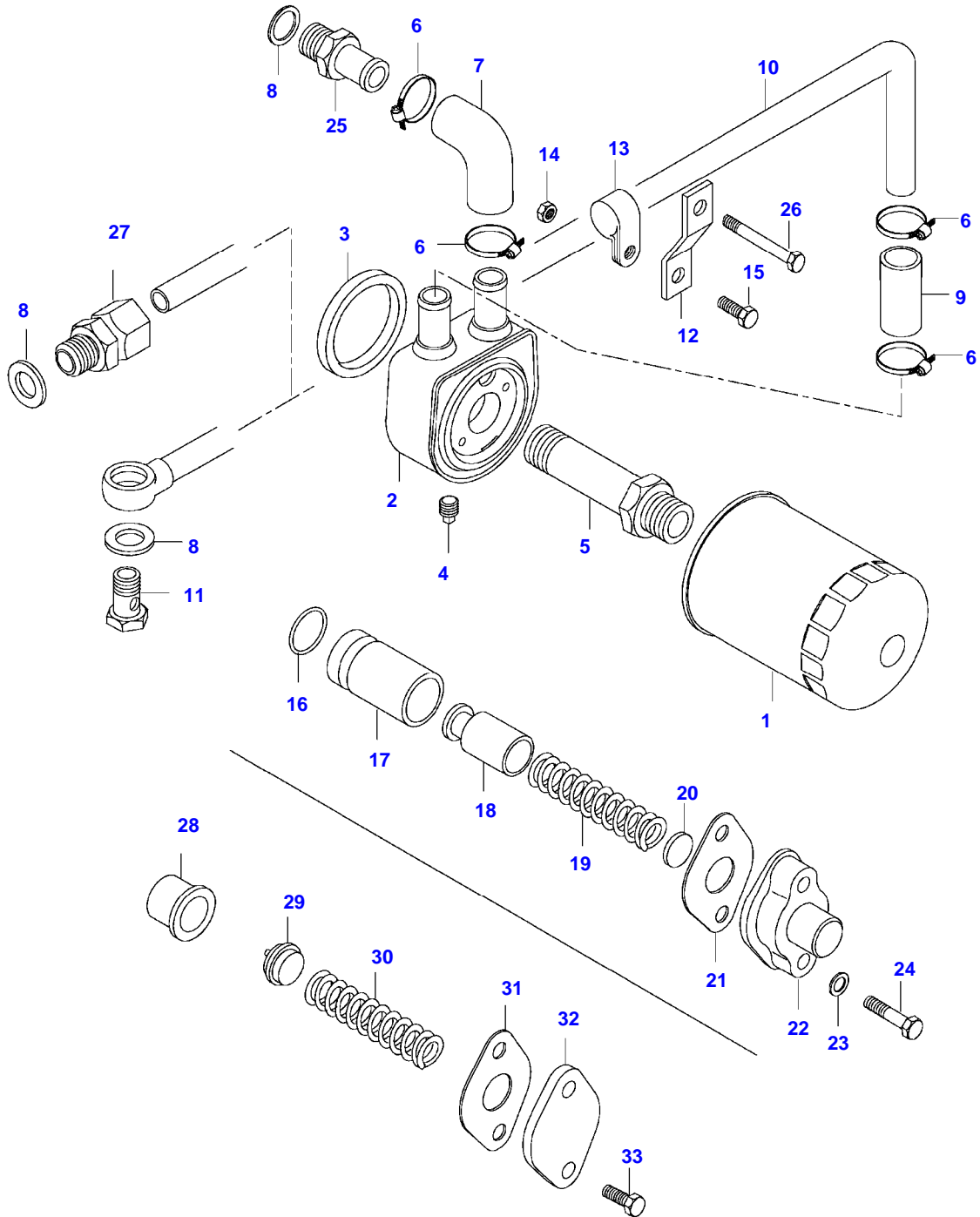
6800E TRACTOR (MEZZO SERIES)
SPIMG-006-21-32-



Item	Part Number	Qty	Description Comments
1	V836647406	1	TIMING GEAR CASE
2	V836647419	1	GASKET S2
3	V528801400	11	HEX CAP SCREW
4	V546801380	4	STUD BOLT
5	V598359850	4	PIN
6	V529801440	2	HEX CAP SCREW
7	V836129709	1	SHAFT
8	V836129863	1	IDLER GEAR
9	V836129844	1	BEARING BUSH
10	V836129845	1	FLANGE
11	V528801860	1	HEX CAP SCREW
12	V529902680	1	HEX CAP SCREW
13	V836647572	1	GEAR HOUSING FRONT COVER
14	V836129942	1	GASKET S2
15	V836129782	1	COVER
16	V614105880	1	OIL SEAL S2
17	V640016016	1	CUP PLUG
18	V504800800	5	NUT
19	V528801380	3	HEX CAP SCREW
20	V836746921	1	PIPE
21	V836129946	1	GASKET S2
22	V528801420	4	HEX CAP SCREW
23	V529801500	2	HEX CAP SCREW
24	V529801470	1	HEX CAP SCREW
25	V836120989	1	WASHER
26	V614604740	1	O-RING S2
27	V836338733	1	OIL FILLER CAP
29	V529801450	1	HEX CAP SCREW

6800E TRACTOR (MEZZO SERIES)
SPIMG-006-21-36

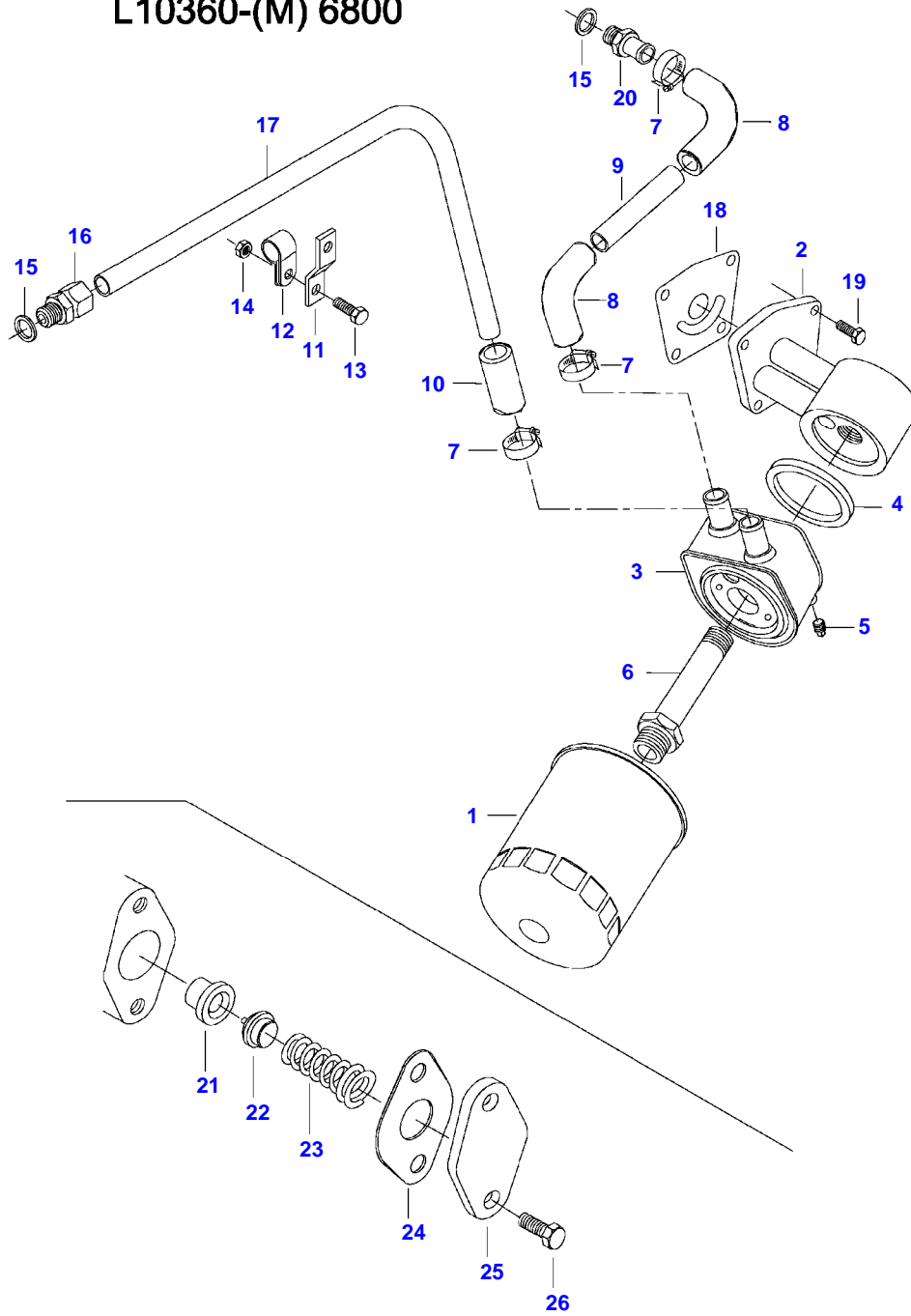
6800 -L10359(M)



Item	Part Number	Qty	Description Comments
			-L10359(M)
1	V836662580	1	ENGINE OIL FILTER
2	V836129315	1	OIL COOLER
3	V835331586	1	SEALING WASHER
4	V836131366	1	PLUG
5	V836647405	1	UNION
6	V602079516	4	HOSE CLIP
7	V836747124	1	RUBBER ELBOW
8	V615881822	3	SEALING WASHER S2
9	V836129978	1	RUBBER HOSE
10	V836747848	1	PIPE
12	V836747849	1	SUPPORT -L10359(M)
13	V602060615	1	RETAINER CLAMP
14	V504800800	1	NUT
15	V528801380	1	HEX CAP SCREW
16	V614601524	1	O-RING S2
17	V836117834	1	CYLINDER
18	V836338850	1	OIL PRESSURE CONTROL VALVE
19	V836117836	1	SPRING -L10359(M)
20	V836020290	1	INJECTOR SHIM
21	V836322190	1	GASKET S2
22	V836129849	1	COVER
23	V500950800	1	SPRING WASHER
24	V528801420	2	HEX CAP SCREW
25	V836119837	1	HOSE COUPLER
26	V528801400	1	HEX CAP SCREW -L10359(M)
27	V641086015	1	STRAIGHT FITTING -L10359(M)
	V836662129	1	OIL PRESSURE CONTROL VALVE J7668(M)-L10359(M)
28	V836659521	1	VALVE SEAT
29	V836659522	1	VALVE CONE
30	V836659523	1	SPRING -L10359(M)
31	V836322190	1	GASKET
32	V836659524	1	COVER
33	V528801380	1	HEX CAP SCREW

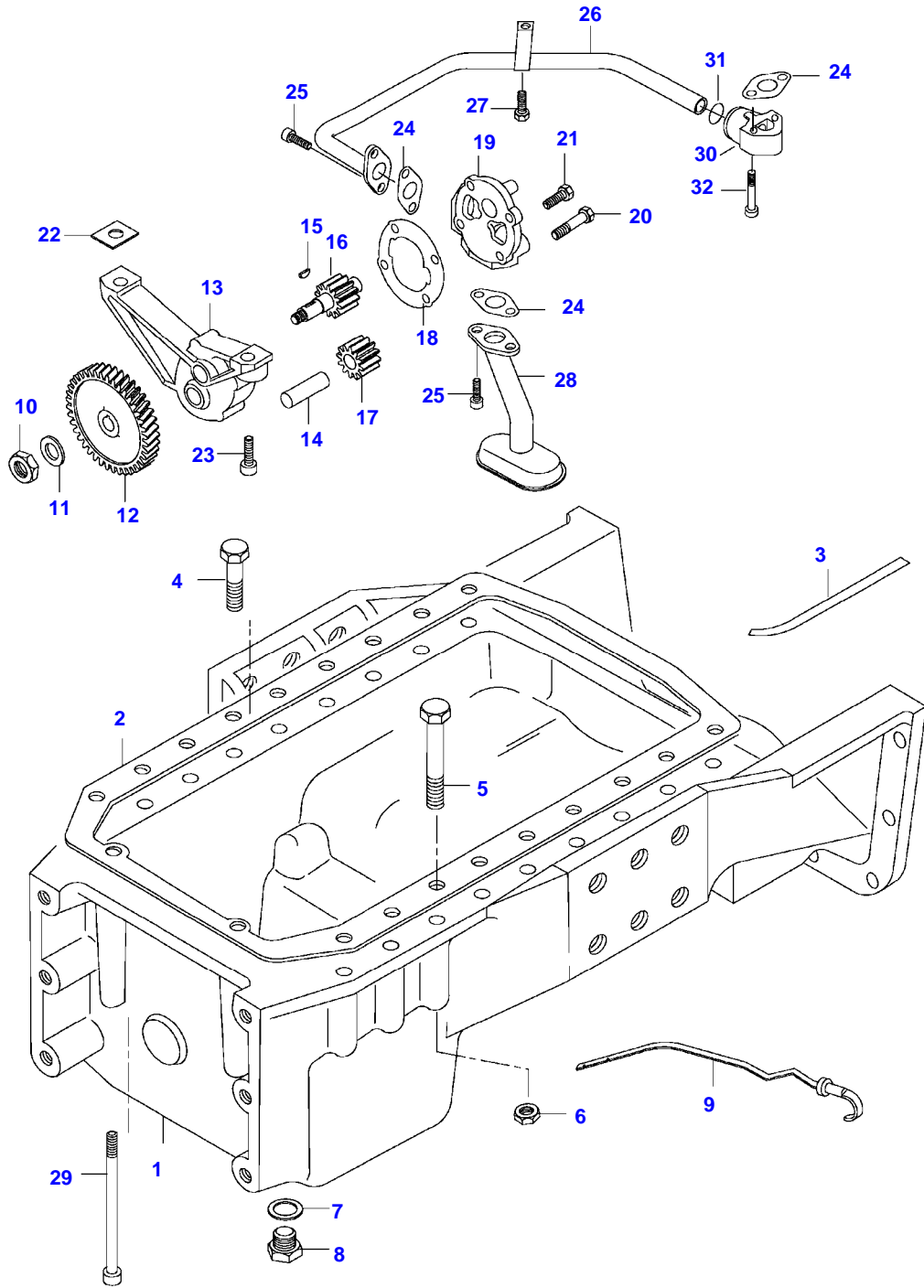
6800E TRACTOR (MEZZO SERIES)
SPIMG-006-21-36A

L10360-(M) 6800



Item	Part Number	Qty	Description Comments
			L10360-(M)
1	V836662580	1	ENGINE OIL FILTER
	V836747900	1	OIL FILTER ADAPTER
2	V836747899	1	OIL FILTER ADAPTER
3	V836129315	1	OIL COOLER
4	V835331586	1	SEALING WASHER
5	V836131366	1	PLUG
6	V836859700	1	UNION
7	V602079516	6	HOSE CLIP
8	V836747124	2	RUBBER ELBOW
9	V836752026	1	PIPE
10	V836129978	1	RUBBER HOSE
11	V836747849	1	SUPPORT
12	V602060615	1	RETAINER CLAMP
13	V528801380	1	HEX CAP SCREW
14	V504800800	1	NUT
15	V615881822	2	SEALING WASHER S2
16	V641086015	1	STRAIGHT FITTING
17	V836752027	1	PIPE
18	V836747901	1	GASKET
19	V528801400	4	HEX CAP SCREW
20	V836119837	1	HOSE COUPLER
	V836662129	1	OIL PRESSURE CONTROL VALVE
21	V836659521	1	VALVE SEAT
22	V836659522	1	VALVE CONE
23	V836659523	1	SPRING
24	V836322190	1	GASKET S2
25	V836659524	1	COVER
26	V528801380	2	HEX CAP SCREW

6800E TRACTOR (MEZZO SERIES)
SPIMG-006-21-40



Item	Part Number	Qty	Description Comments
1	V836136014	1	OIL SUMP (V30146600)
2	V836129728	1	OIL SUMP GASKET S2
3	V836129727	2	GASKET S2
4	V529702270	11	HEX CAP SCREW
5	V529902390	7	HEX CAP SCREW
6	V504801200	18	NUT
7	V615882432	1	SEALING WASHER S2
	V615881827	1	SEALING WASHER S2
8	V836655495	1	PLUG
	V836655493	1	PLUG
9	V836129939	1	DIPSTICK -R13715(M)
	V836652605	1	LUBRICATING OIL PUMP C1328-(M)
10	V504861000	1	NUT
11	V836122910	1	WASHER
12	V836338667	1	GEAR C1328-(M)
13	V836120195	1	HOUSING
14	V836120191	1	OIL PUMP SHAFT
16	V836652600	1	OIL PUMP SHAFT C1328-(M)
17	V836120193	1	GEAR
18	V836119796	1	GASKET S2
19	V836129412	1	COVER
20	V529801440	2	HEX CAP SCREW
21	V528801380	2	HEX CAP SCREW
22	V836007871		SHIM
23	V581805050	2	HEX SOCKET SCREW
24	V836008449	3	GASKET S2
25	V581804600	4	HEX SOCKET SCREW
26	V836766983	1	OIL PIPE
27	V528801760	1	HEX CAP SCREW
28	V836138033	1	AIR PIPE
29	V581704800	2	HEX SOCKET SCREW
30	V836766984	1	ADAPTER FLANGE
31	V614701830	1	O-RING
32	V581804680	2	HEX SOCKET SCREW

Thank you so much for reading.
Please click the “Buy Now!”
button below to download the
complete manual.



After you pay.

You can download the most
perfect and complete manual in
the world immediately.

Our support email:

ebooklibonline@outlook.com