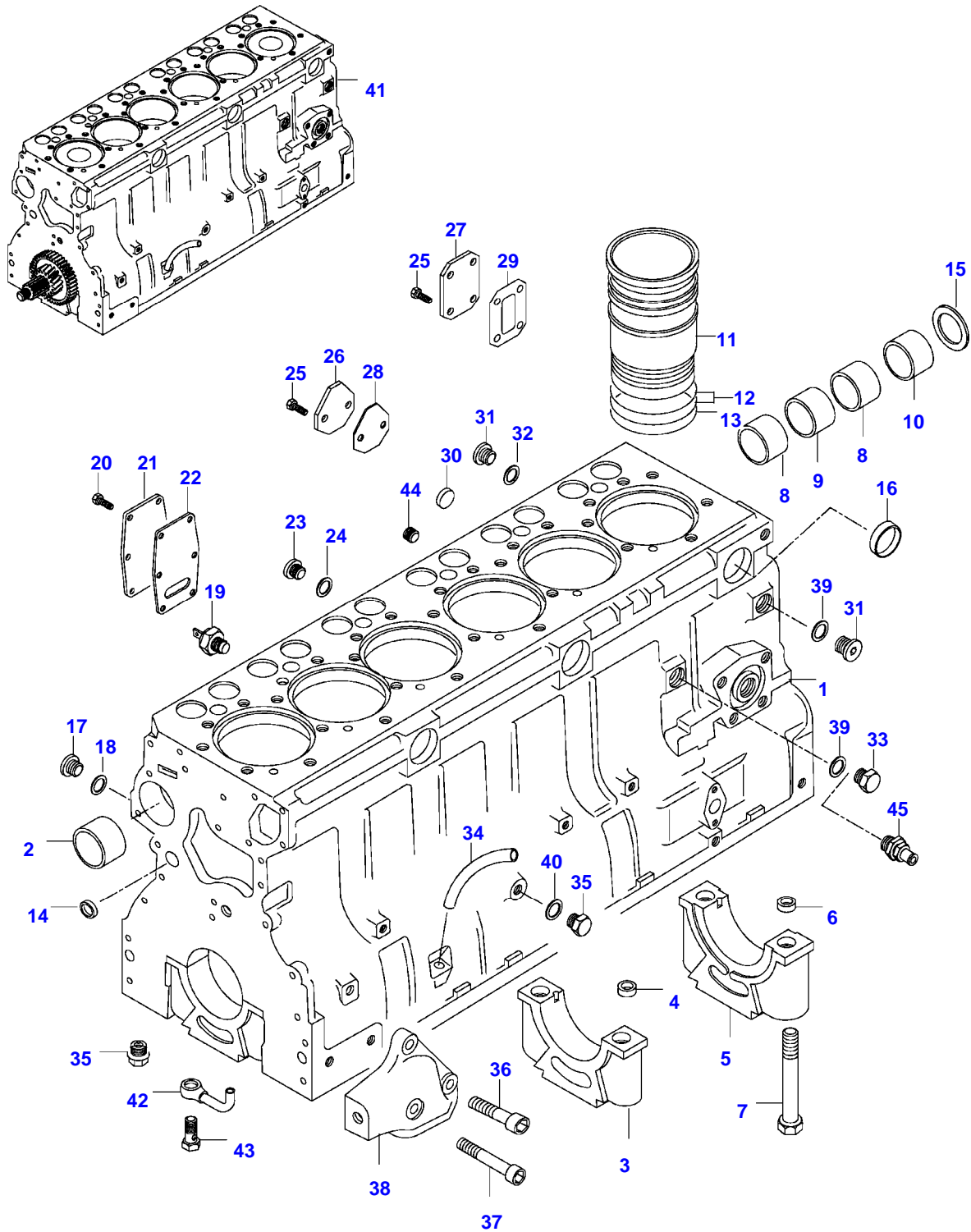


Page Number	Page Title	Page Reference
01-000-TOC	ENGINE, FUEL AND EXHAUST SYSTEM	01-000-TOC
02-000-TOC	AXLES	02-000-TOC
03-000-TOC	STEERING SYSTEM	03-000-TOC
04-000-TOC	DRIVE TRAIN SYSTEM	04-000-TOC
05-000-TOC	BRAKE SYSTEM	05-000-TOC
06-000-TOC	COMPRESSED AIR SYSTEM	06-000-TOC
07-000-TOC	HYDRAULIC SYSTEM	07-000-TOC
08-000-TOC	ELECTRICAL SYSTEM	08-000-TOC
09-000-TOC	CAB	09-000-TOC
10-000-TOC	AIR CONDITIONING AND HEATING SYSTEM	10-000-TOC
11-000-TOC	CHASSIS	11-000-TOC
12-000-TOC	DECALS	12-000-TOC
13-000-TOC	WHEELS	13-000-TOC
14-000-TOC	IMPLEMENT DRIVE SYSTEM	14-000-TOC
15-000-TOC	IMPLEMENT LIFT SYSTEM FRONT	15-000-TOC
16-000-TOC	IMPLEMENT LIFT SYSTEM REAR	16-000-TOC
17-000-TOC	PRECISION FARMING SYSTEMS	17-000-TOC
18-000-TOC	ATTACHMENTS	18-000-TOC
19-000-TOC	GENERAL INFORMATION	19-000-TOC

Page Number	Page Title	Page Reference
01-0001	CYLINDERBLOCK	21-06
01-0002	FLYWHEEL AND HOUSING	21-10
01-0003	CYLINDER HEAD	21-18
01-0004	VALVE MECHANISM	21-24
01-0005	CRANK MECHANISM	21-30
01-0006	GEAR HOUSING	21-32
01-0007	OIL FILTER	21-34
01-0008	OIL SUMP	21-42
01-0009	AIR CLEANER -F17108	21-50
01-0010	AIR CLEANER F17109-	21-54
01-0011	INTAKE- AND EXHAUST PIPE	21-60
01-0012	MUFFLER	21-64
01-0013	COLD-STARTING DEVICE	21-80
01-0014	FEED PUMP	22-04
01-0015	FUEL FILTER	22-12
01-0016	FUEL FILTER UNITED STATES OF AMERICA ROTARY PUMP	22-20
01-0017	FUEL FILTER	22-22
01-0018	PREFILTER, FUEL	22-28
01-0019	FUEL PIPES	22-30
01-0020	INJECTION PUMP	22-38
01-0021	INJECTION PUMP ROTARY PUMP UNITED STATES OF AMERICA	22-44
01-0022	SPEED LEVERS	22-50
01-0023	RADIATOR	23-02
01-0024	COOLANT PUMP	23-14
01-0025	STARTERMOTOR -F5511 H2669-	31-02
01-0026	STARTERMOTOR	31-04
01-0027	ALTERNATOR -F4947(M)	31-10
01-0028	ALTERNATOR F4948-(M)	31-12
01-0029	ALTERNATOR F4948-(M)	31-14
01-0030	GASKET SETS	28-06
01-0031	GASKET SETS	28-12
01-0032	ENGINE REPAIR KIT AND BEARING	28-16
01-0033	ADJUSTING PLATE FOR INJECTOR	28-18
01-0034	PREFILTER (OPTIONAL EQUIPMENT)	29-02
01-0035	CATALYZER (OPTIONAL EQUIPMENT)	29-16
01-0036	ELECTRIC STOP (OPTIONAL EQUIPMENT)	39-34
01-0037	ENGINE HEATER (OPTIONAL EQUIPMENT)	39-04

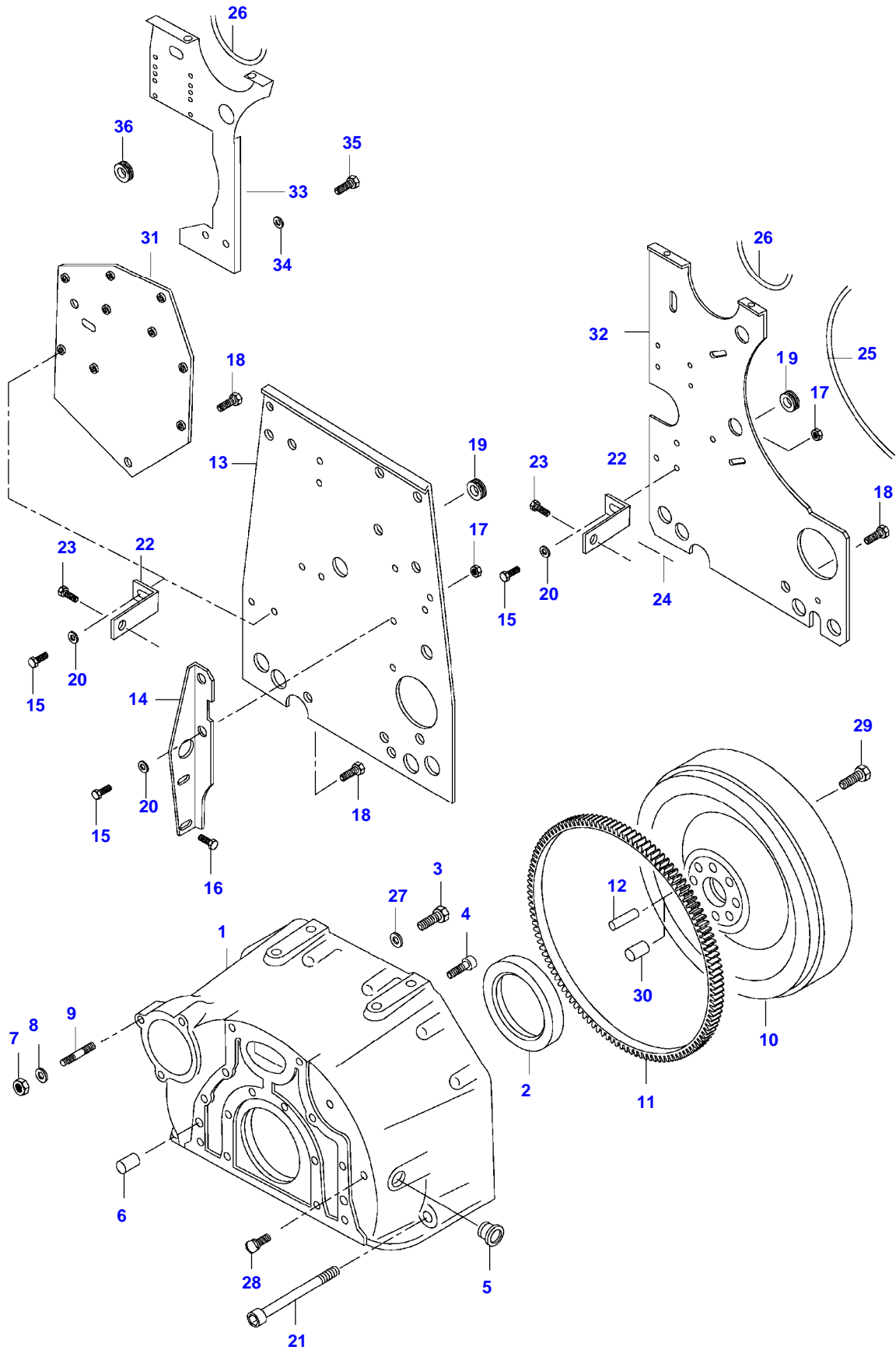
8000 TRACTOR (MEGA SERIES)
SPIMG-006-21-06



Item	Part Number	Qty	Description Comments
1	V836866110	1	CYLINDER BLOCK
2	V836866069	1	CAMSHAFT BEARING BUSHING
3	NS	6	NON-SERVICEABLE PART
4	V836214478	12	BEARING COVER GUIDE SLEEVE
5	NS	1	NON-SERVICEABLE PART
6	V836214478	2	BEARING COVER GUIDE SLEEVE
7	V835329030	14	HEX CAP SCREW
8	V836852460	2	CAMSHAFT BEARING BUSHING
9	V836852459	1	C2751-(M) CAMSHAFT BEARING BUSHING
10	V836852461	1	C2751-(M) CAMSHAFT BEARING BUSHING
11	V836666990	6	C2751-(M) LINER
12	V836647502	12	CYLINDER LINER O-RING S2
13	V836647503	6	CYLINDER LINER O-RING S2
14	V640016016	4	CUP PLUG S2
15	V836529872	1	PLUG -C2751(M)
	V836852744	1	PLUG C2751-(M)
16	V640016040	2	CUP PLUG
17	V640325110	3	SCREW PLUG
18	V615571014	3	SEALING WASHER S2
19	V887283760	1	PRESSURE SWITCH
20	V528801380	6	HEX CAP SCREW
21	V836846444	1	COVER
22	V836322852	1	GASKET 2S
23	V836119079	1	PLUG
24	V615881620	1	SEALING WASHER S2
25	V528801362	2	HEX CAP SCREW -H3774(M)
30	V640016018	2	CUP PLUG
31	V640325018	2	PLUG
32	V615881822	3	SEALING WASHER S2
33	V836019756	1	PLUG
34	V836129747	1	OIL DIPSTICK GUIDE PIPE
35	V640305012	7	PLUG
36	V581705850	4	HEX SOCKET SCREW
37	V581705890	2	HEX SOCKET SCREW
38	V836346012	1	ENGINE MOUNT LEFT
	V836346013	1	ENGINE MOUNT RIGHT
39	V615881824	1	SEALING WASHER S2
40	V615881216	1	SEALING WASHER S2

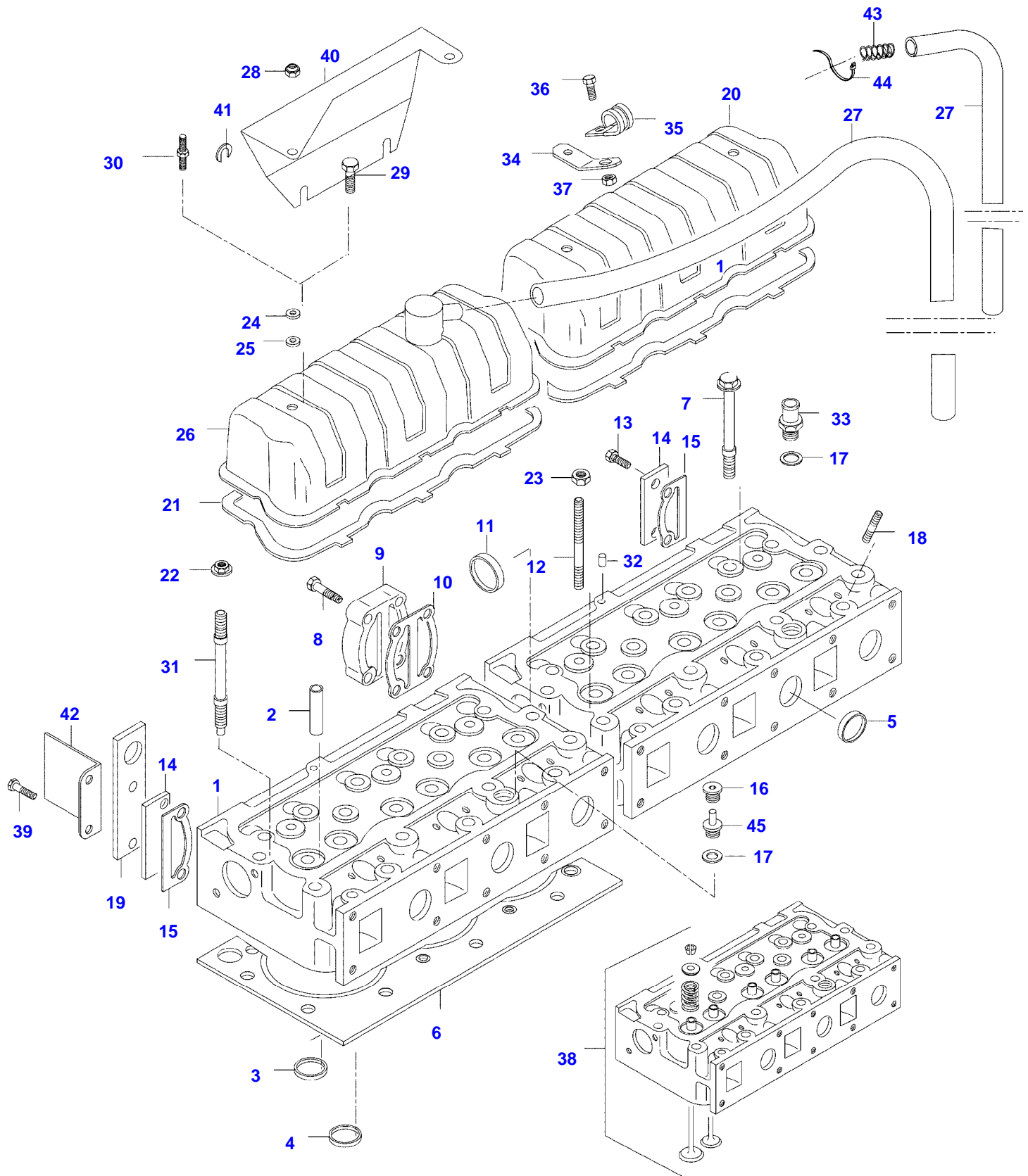
Item	Part Number	Qty	Description Comments
41	V862760001	1	REMANUFACTURED SHORT BLOCK ENGINE
44	V640025010	1	PLUG
45	V836664377	1	DRAIN VALVE
	V836840237	1	ENGINE GASKET KIT S1
	V836840238	1	ENGINE GASKET KIT S1+S2

8000 TRACTOR (MEGA SERIES)
SPIMG-006-21-10



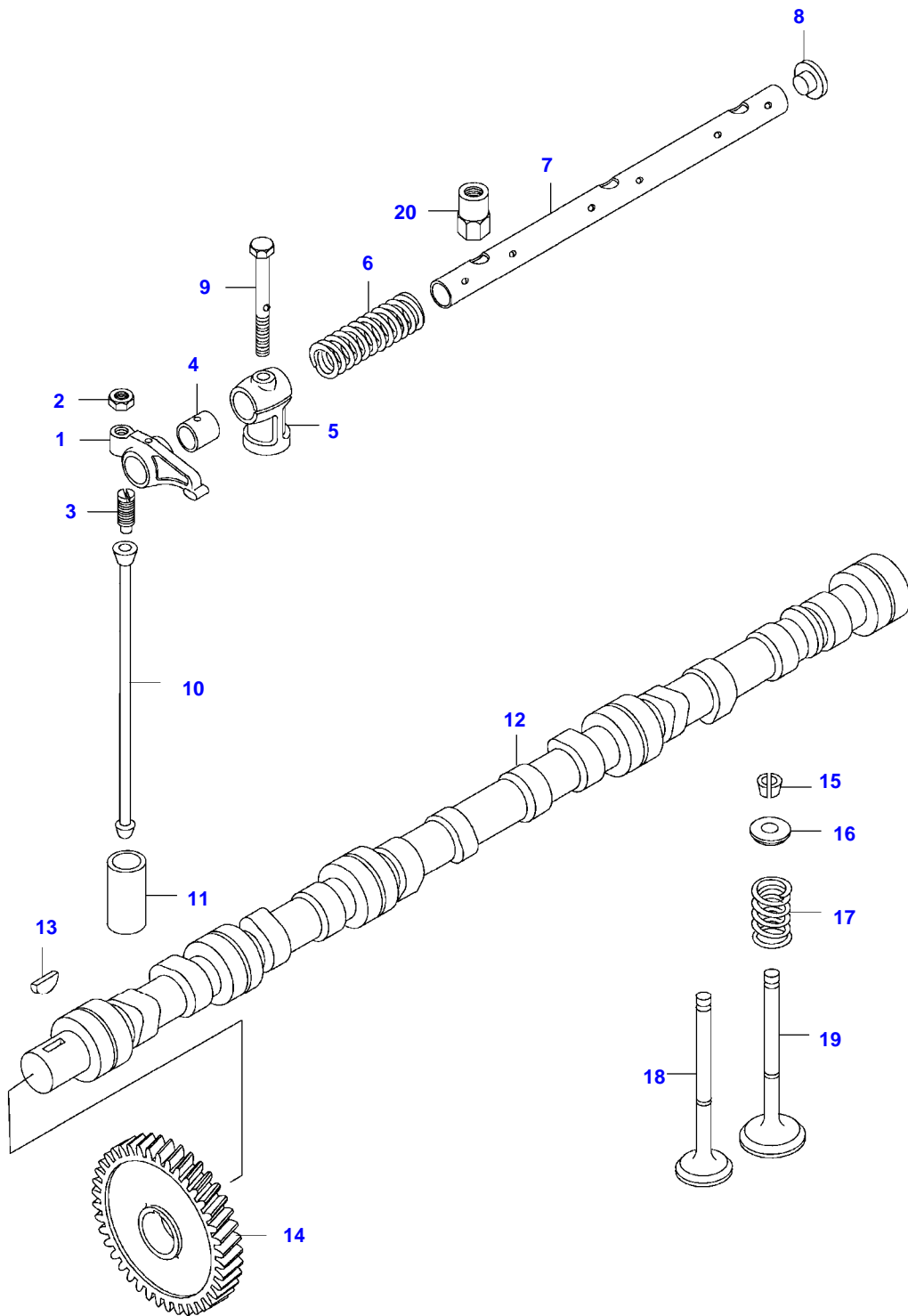
Item	Part Number	Qty	Description Comments	Technical Specification
1	V836647439	1	FLYWHEEL HOUSING	
2	V614500002	1	CRANKSHAFT SEAL S2	
3	V529702220	8	HEX CAP SCREW	
4	V581705030	6	HEX SOCKET SCREW	
5	V836007572	1	RUBBER PLUG	
6	V598359850	2	PIN	
7	V504601000	3	NUT	
8	V500951000	3	SPRING WASHER	
9	V546801800	3	STUD BOLT	
10	V836759818	1	FLYWHEEL	
	V836146958	1	FLYWHEEL HYDRAULIC CLUTCH VOITH -666065	
	V836759820	1	FLYWHEEL HYDRAULIC CLUTCH VOITH D10222-(M)	
	V836752257	1	FLYWHEEL HYDRAULIC CLUTCH TRANSFLUID	
11	V835328783	1	STARTER RING	
12	V595955060	1	PIN	
13	V836847585	1	FLYWHEEL HOUSING	
14	V836755364	1	SUPPORT -E3726(M)	
15	V528801362	3	HEX CAP SCREW	
16	V528801380	2	HEX CAP SCREW	
	V528801780	2	HEX CAP SCREW	
17	V504800800	2	NUT	
18	V528802180	2	HEX CAP SCREW	
19	V835338745	1	RUBBER INLET	
20	V500150842	3	WASHER	
21	VHC9784	2	HEX SOCKET SCREW	M12 X 140 SFS_EN_ISO_4762 12.9
22	V836755361	1	SUPPORT	
23	V528801380	1	HEX CAP SCREW	
	V528801800	1	HEX CAP SCREW	
24	V32664900	1	SHIELD	
25	V32604100	1	BAND	
26	V32604200	1	BAND	
27	V500951200	8	SPRING WASHER	
28	V836859311	1	PLUG	
29	V528702230	8	HEX CAP SCREW	
	V529702250	8	HEX CAP SCREW HYDRAULIC CLUTCH	
33	V34172400	1	HOLDER	
34	VJD0408	2	WASHER	M8
35	VHA6322	2	SCREW	M8 X 16 SFS_EN_ISO_4017 8.8
36	ACV0799330	1	GROMMET	

8000 TRACTOR (MEGA SERIES)
SPIMG-006-21-18



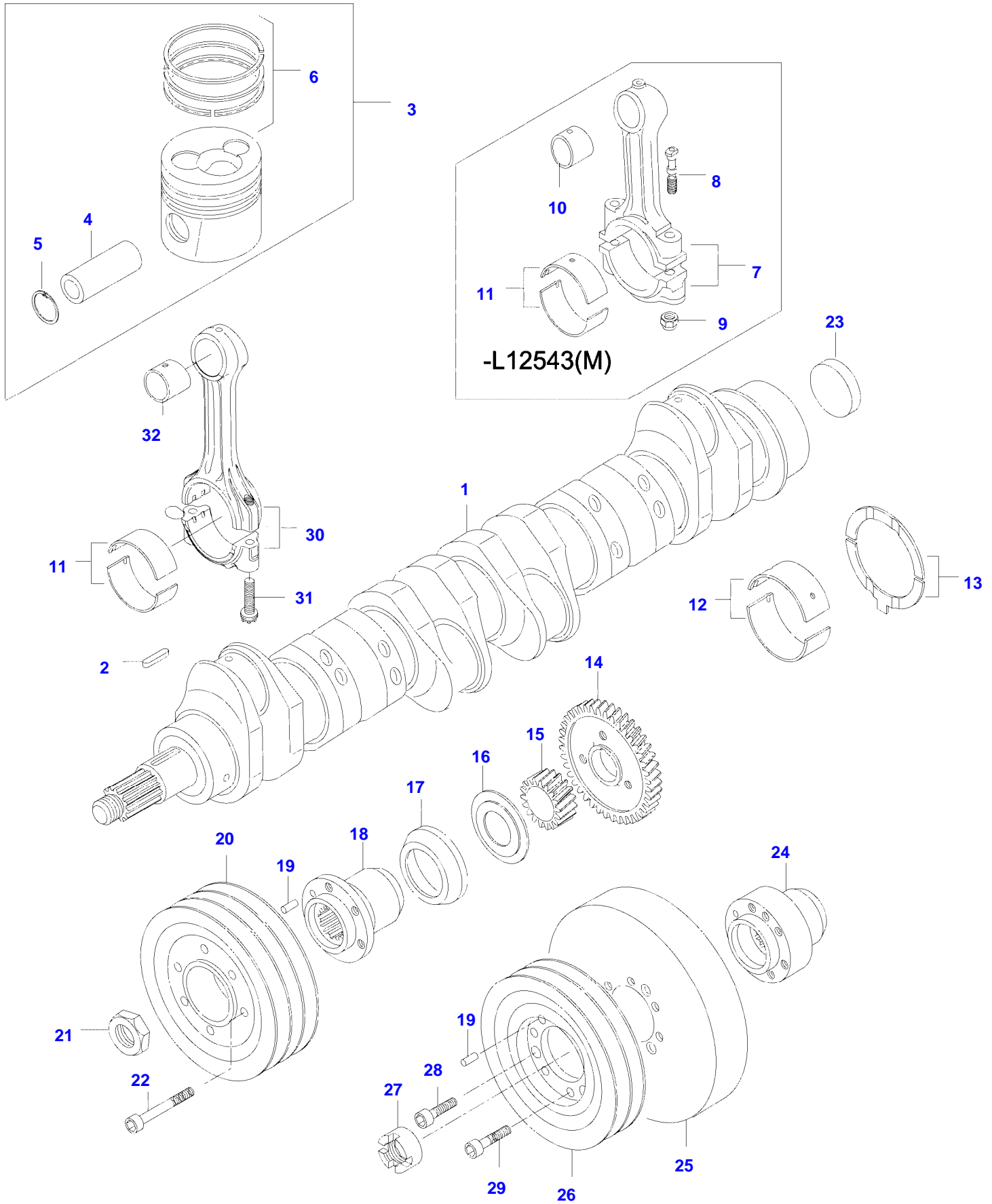
Item	Part Number	Qty	Description Comments
1	V836655379	2	CYLINDER HEAD
2	V836647601	12	GUIDE
3	V836647600	6	VALVE SEAT
5	V836647942	10	EXHAUST CUP PLUG
6	V836666302	2	CYLINDER HEAD GASKET S1
7	V836859104	32	HEXAGON FLANGE BOLT
8	V528801420	4	HEX CAP SCREW
	V529801830	4	HEX CAP SCREW
9	V836855348	1	CONNECTION FLANGE
10	V836866214	1	GASKET S1
11	V640016045	1	CUP PLUG
12	V836652357	4	STUD BOLT
	V546801900	4	STUD BOLT F9355-(M)
13	V528801380	2	HEX CAP SCREW
	V528801800	2	HEX CAP SCREW
14	V836855350	2	BLOCK OFF PLATE
15	V836866215	2	GASKET S1
16	V640325018	1	PLUG
17	V615881822	2	SEALING WASHER S1
18	V546901435	12	STUD BOLT
19	V836855349	1	LIFT EYE
	V836855349	2	LIFT EYE E3979-(M)
20	V836846448	1	VALVE ROCKER COVER
21	V836646360	2	VALVE ROCKER COVER GASKET S1
22	V836859110	2	NUT
23	V504601000	4	NUT -F9354(M)
	V836655406	4	SLEEVE NUT F9355-(M)
24	V836119855	4	WASHER
25	V836012841	4	RUBBER BUSHING S1
26	V836646359	1	VALVE ROCKER COVER
27	V836859875	1	RUBBER HOSE
28	V510601002	4	NUT
29	V528801780	1	HEX CAP SCREW F9355-(M)
30	V836659175	3	STUD BOLT F9355-(M)
	V836659175	2	STUD BOLT F9355-(M)
31	V836859109	2	STUD BOLT
32	V595959140	2	PIN
33	V836119837	1	HOSE COUPLER
34	V836652567	1	SUPPORT
35	V602074528	1	HOSE CLIP
36	V528801362	1	HEX CAP SCREW
37	V504800800	1	NUT
38	V836640853	2	CYLINDER HEAD
39	V528801820	2	HEX CAP SCREW
	V528801380	2	HEX CAP SCREW
40	V836859843	1	HEAT SHIELD
41	V836864223	2	LOCK RING
42	V836666199	1	HEAT SHIELD L8223-(M)

8000 TRACTOR (MEGA SERIES)
SPIMG-006-21-24



Item	Part Number	Qty	Description Comments
	V836646332	2	ROCKER SHAFT ASM -F9354(M)
1	V835328363	12	ROCKER ARM
2	V504800800	12	NUT
3	V836010106	12	VALVE ROCKER ADJUSTMENT SCREW
4	V836006586	12	BEARING
5	V836006580	6	BRACKET
6	V836006582	4	SPRING
7	V836646329	2	SHAFT
8	V836655113	4	PLUG
	V836666610	2	ROCKER SHAFT ASM F9355-(M)
1	V836666608	12	ROCKER ARM
2	V512861000	12	NUT
3	V836655866	12	ADJUSTING SCREW
5	V836655869	6	BRACKET
6	V836655884	4	SPRING
7	V836655870	2	SHAFT
8	V836655899	4	PLUG
9	V529801910	2	HEX CAP SCREW
10	V836110237	12	PUSHROD -F9354(M)
	V836655867	12	PUSHROD F9355-(M)
11	V836014264	12	TAPPET
12	V836846376	1	CAMSHAFT -L13187(M)
13	V603305760	1	WOODRUFF KEY
14	V836646389	1	GEAR,CAMSHAFT
15	V836646382	24	COTTER
16	V836646381	12	WASHER
17	V836646380	12	SPRING
18	V836646357	6	EXHAUST VALVE
19	V836646356	6	INTAKE VALVE
20	V836655406	4	SLEEVE NUT F9355-(M)

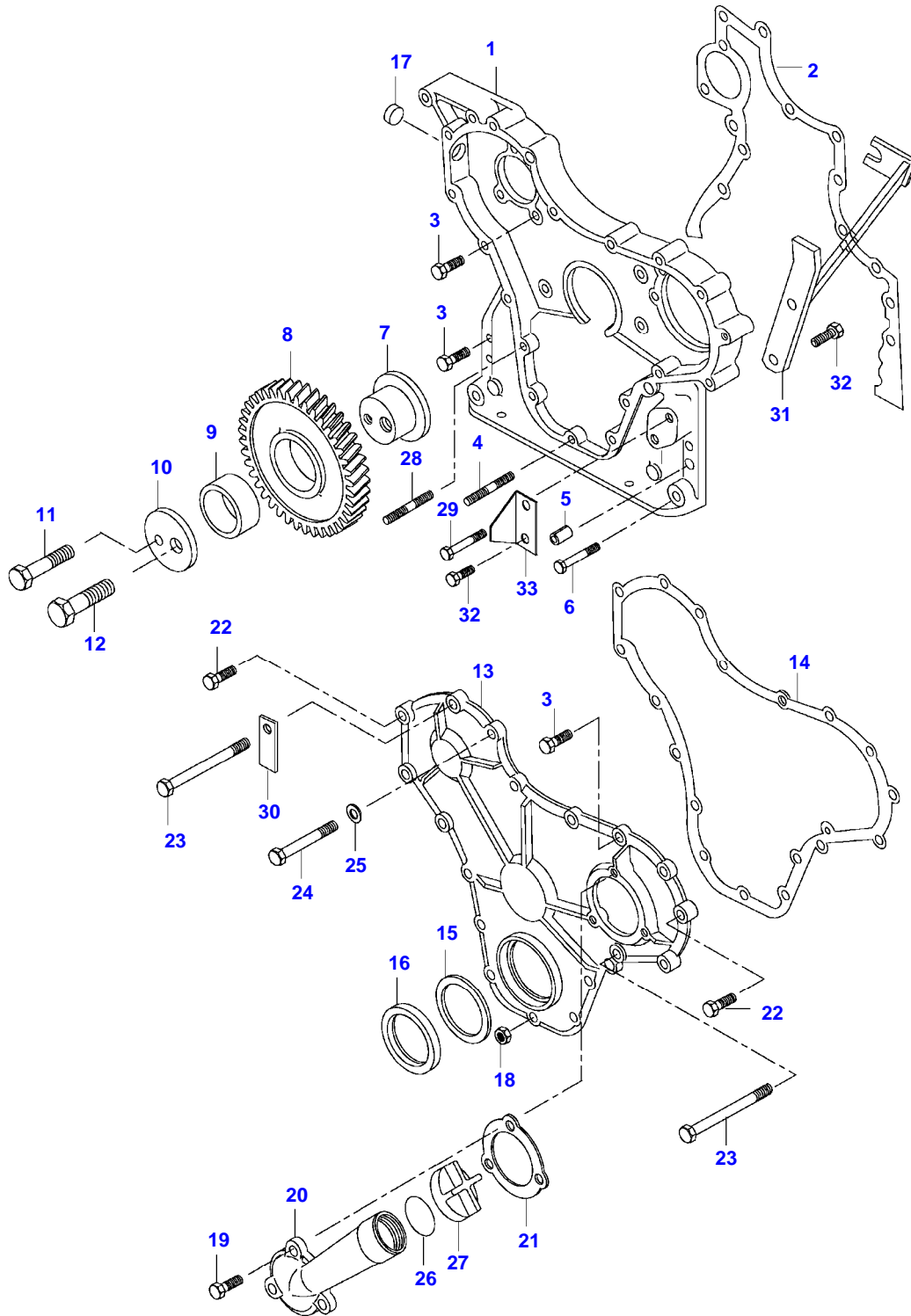
8000 TRACTOR (MEGA SERIES)
SPIMG-006-21-30



Item	Part Number	Qty	Description Comments
1	V836847352	1	CRANKSHAFT
2	V603345110	1	KEY
3	V836655269	6	KIT, PISTON
4	NS	6	NON-SERVICEABLE PART .
5	NS	12	PISTON PIN NON-SERVICEABLE PART .
6	V836640126	6	CIRCLIP PISTON RING KIT .
7	V836647460	6	CONROD 2150-2169 G X -L12543(M)
	V836652104		CONROD 2170-2189 G A -L12543(M)
	V836652105		CONROD 2190-2209 G B -L12543(M)
	V836652106		CONROD 2210-2229 G C -L12543(M)
	V836652107		CONROD 2230-2249 G D -L12543(M)
	V836652108		CONROD 2250-2269 G E -L12543(M)
	V836652109		CONROD 2270-2289 G H -L12543(M)
	V836652110		CONROD 2290-2309 G I -L12543(M)
	V836652111		CONROD 2310-2329 G J -L12543(M)
	V836652112		CONROD 2330-2349 G K -L12543(M)
	V836652113		CONROD 2350-2369 G L -L12543(M)
	V836652114		CONROD 2370-2389 G M -L12543(M)
	V836652115		CONROD 2390-2409 G N -L12543(M)
	V836652116		CONROD 2410-2429 G O -L12543(M)
	V836652117		CONROD 2430-2449 G P -L12543(M)
	V836652118		CONROD 2450-2469 G R -L12543(M)
	V836652119		CONROD 2470-2489 G S -L12543(M)
	V836652120		CONROD 2490-2509 G T -L12543(M)

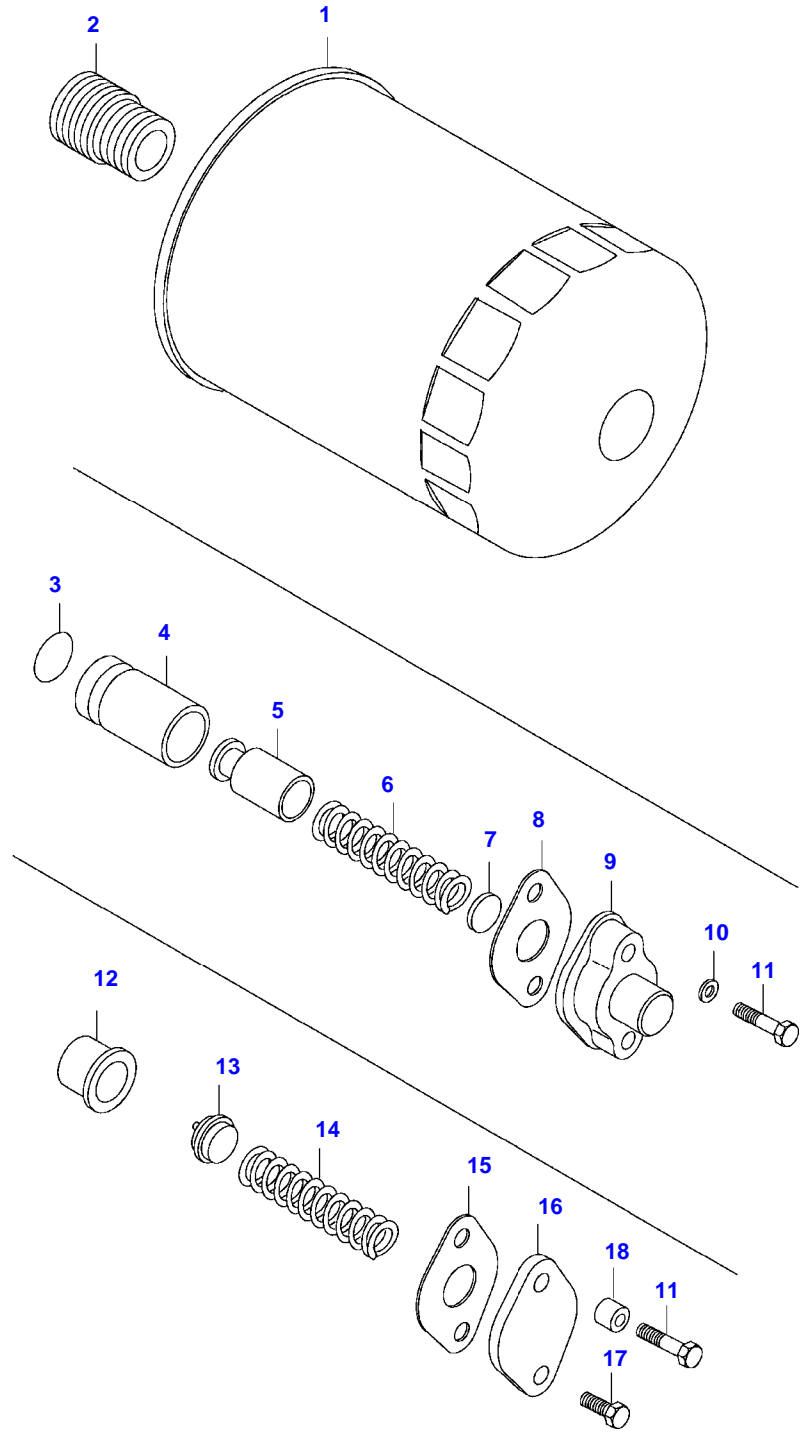
Item	Part Number	Qty	Description Comments
	V836652121		CONROD 2510-2529 G U -L12543(M)
8	V836646204	12	CONNECTING ROD BOLT . -L12543(M)
9	V836646205	12	NUT . -L12543(M)
10	V836646271	6	BEARING BUSH . -L12543(M)
11	V836110552	6	BEARING SHELL SEE PAGE 01-0032
12	V836655514	7	MAIN BEARING SEE PAGE 01-0032
13	V836119459	2	THRUST WASHER SEE PAGE 01-0032
14	V836119550	1	GEAR,CRANKSHAFT
15	V836122840	1	GEAR,CRANKSHAFT
16	V836129781	1	RING
17	V836136271	1	SHIELD
18	V836846463	1	CRANKSHAFT HUB
19	V595953360	1	PIN
20	V836864290	1	CRANKSHAFT V-BELT PULLEY DUAL GROOVE
21	V836647310	1	CRANKSHAFT NUT
22	V581804680	6	HEX SOCKET SCREW
23	V836852082	1	PLUG

8000 TRACTOR (MEGA SERIES)
SPIMG-006-21-32-



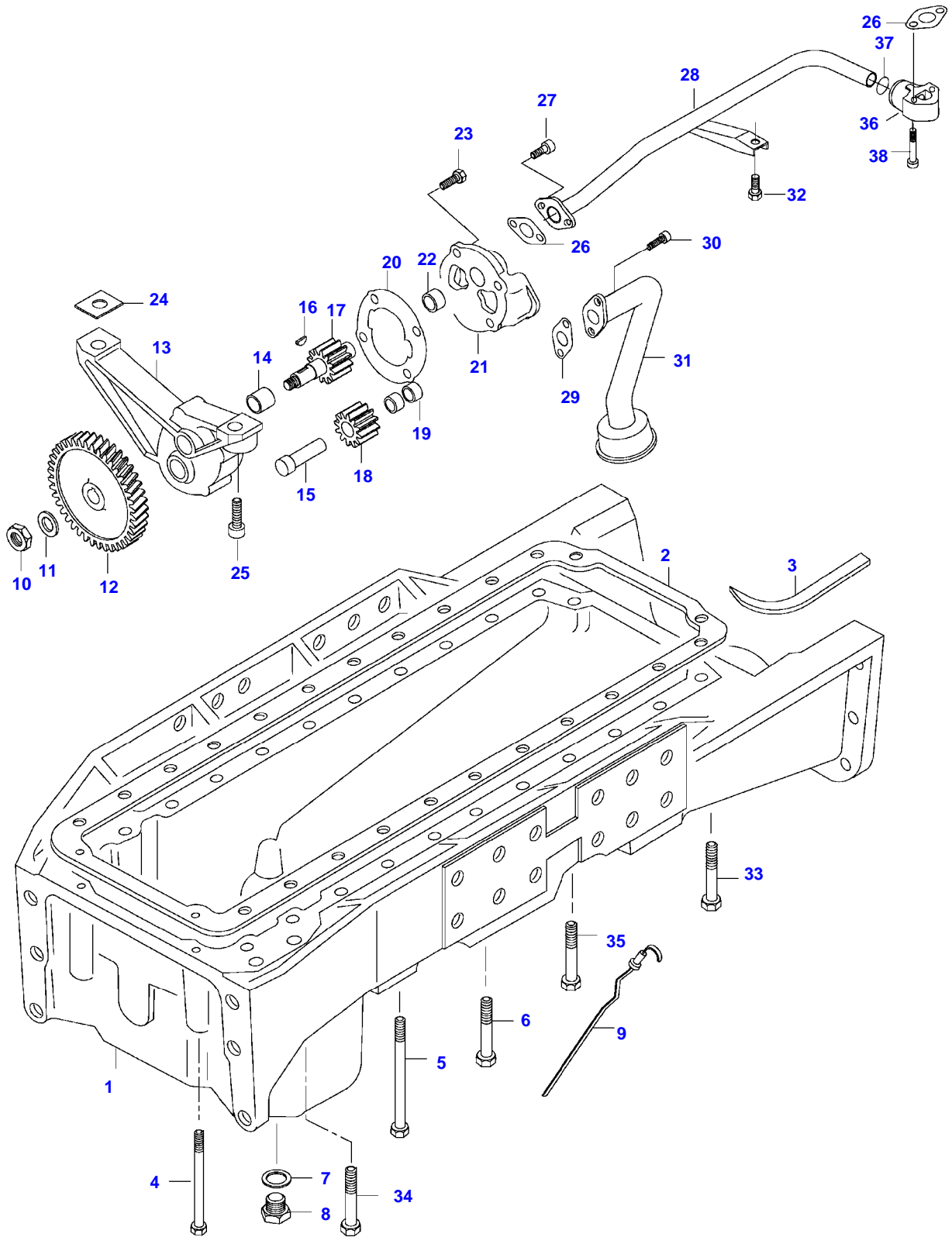
Item	Part Number	Qty	Description Comments
1	V836647406	1	TIMING GEAR CASE
	V836647865	1	TIMING GEAR CASE ROTARY PUMP UNITED STATES OF AMERICA
2	V836647419	1	GASKET S2
3	V528801400	11	HEX CAP SCREW
4	V546801380	4	STUD BOLT
5	V598359850	4	PIN
6	V529801440	2	HEX CAP SCREW
7	V836129709	1	SHAFT
8	V836129863	1	IDLER GEAR
9	V836129844	1	BEARING BUSH
10	V836129845	1	FLANGE
11	V528801860	1	HEX CAP SCREW
12	V529902680	1	HEX CAP SCREW
13	V836647572	1	GEAR HOUSING FRONT COVER
14	V836129942	1	GASKET S2
15	V836129782	1	COVER
16	V614105880	1	OIL SEAL S2
17	V640016016	1	CUP PLUG
18	V504800800	5	NUT
19	V528801380	3	HEX CAP SCREW
20	V836746921	1	PIPE
21	V836129946	1	GASKET S2
22	V528801420	4	HEX CAP SCREW
23	V529801500	2	HEX CAP SCREW
24	V529801470	3	HEX CAP SCREW
25	V836120989	1	WASHER
26	V614604740	1	O-RING S2
27	V836338733	1	OIL FILLER CAP
29	V529801450	1	HEX CAP SCREW
31	V836655512	1	BRACKET ROTARY PUMP UNITED STATES OF AMERICA
	V836664528	1	THROTTLE SENSOR BRACKET ROTARY PUMP UNITED STATES OF AMERICA L8253-(M)

8000 TRACTOR (MEGA SERIES)
SPIMG-006-21-34



Item	Part Number	Qty	Description Comments
1	V836662580	1	ENGINE OIL FILTER
2	V836647404	1	UNION
	V835340042		OIL PRESSURE CONTROL VALVE
3	V614601524	1	O-RING
			.
4	V836117834	1	S2 CYLINDER
			.
5	V836338850	1	OIL PRESSURE CONTROL VALVE
			.
6	V836117836	1	SPRING
			.
7	V836020290	1	INJECTOR SHIM
			.
8	V836322190	1	GASKET
			.
			S2
9	V836129849	1	COVER
10	V500950800	1	SPRING WASHER
11	V528801420	2	HEX CAP SCREW

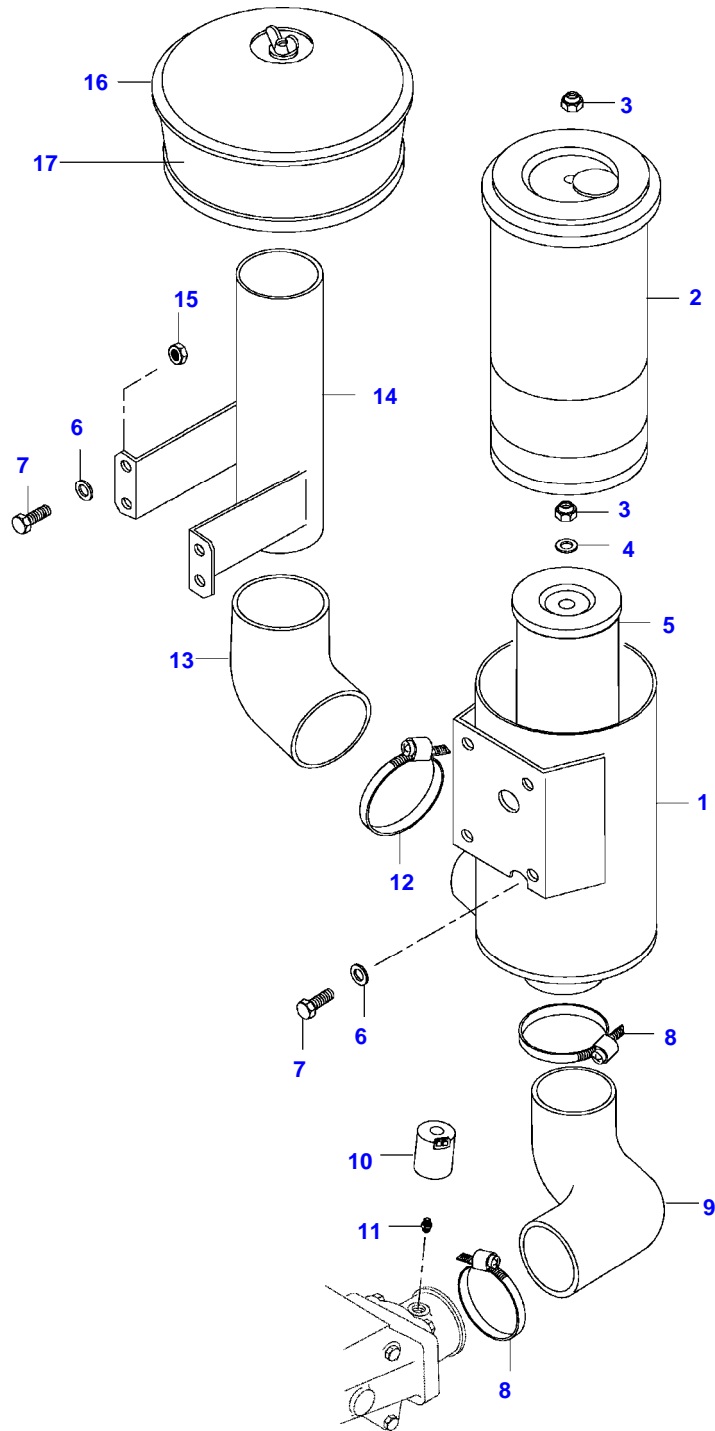
8000 TRACTOR (MEGA SERIES)
SPIMG-006-21-42



Item	Part Number	Qty	Description Comments
1	V836847762	1	OIL SUMP
2	V836322183	1	OIL SUMP GASKET S2
3	V836129727	2	GASKET S2
4	V581704830	2	HEX SOCKET SCREW
5	V529902020	4	HEX CAP SCREW
6	V529901890	14	HEX CAP SCREW -G11344(M)
7	V615882432	1	SEALING WASHER S2
	V615881827	1	SEALING WASHER S2
8	V836655495	1	PLUG
	V836655493	1	PLUG
9	V836847652	1	DIPSTICK
	V836322243	1	OIL PUMP -C1132(M)
	V836852607	1	LUBRICATING OIL PUMP C1133(M)-J7033(M)
10	V504861000	1	NUT
11	V836122910	1	WASHER
12	V836112362	1	GEAR -C1132(M)
	V836338667	1	GEAR C1133-(M)
13	V836322237	1	HOUSING -J7033(M)
14	V836322909	1	BUSHING
15	V836322906	1	OIL PUMP SHAFT
16	V603305530	1	KEY -C1132(M)
17	V836322241	1	PINION -C1132(M)
	V836852601	1	OIL PUMP SHAFT C1133(M)-J7033(M)
18	V836322908	1	GEAR -J7033(M)
19	V836322909	2	BUSHING
20	V836119796	1	GASKET S2 -J7033(M)
21	V836322238	1	COVER -J7033(M)
22	V836322909	1	BUSHING
23	V528801380	4	HEX CAP SCREW
24	V836007871	2	SHIM
25	V581805050	2	HEX SOCKET SCREW
26	V836008449	2	GASKET S2

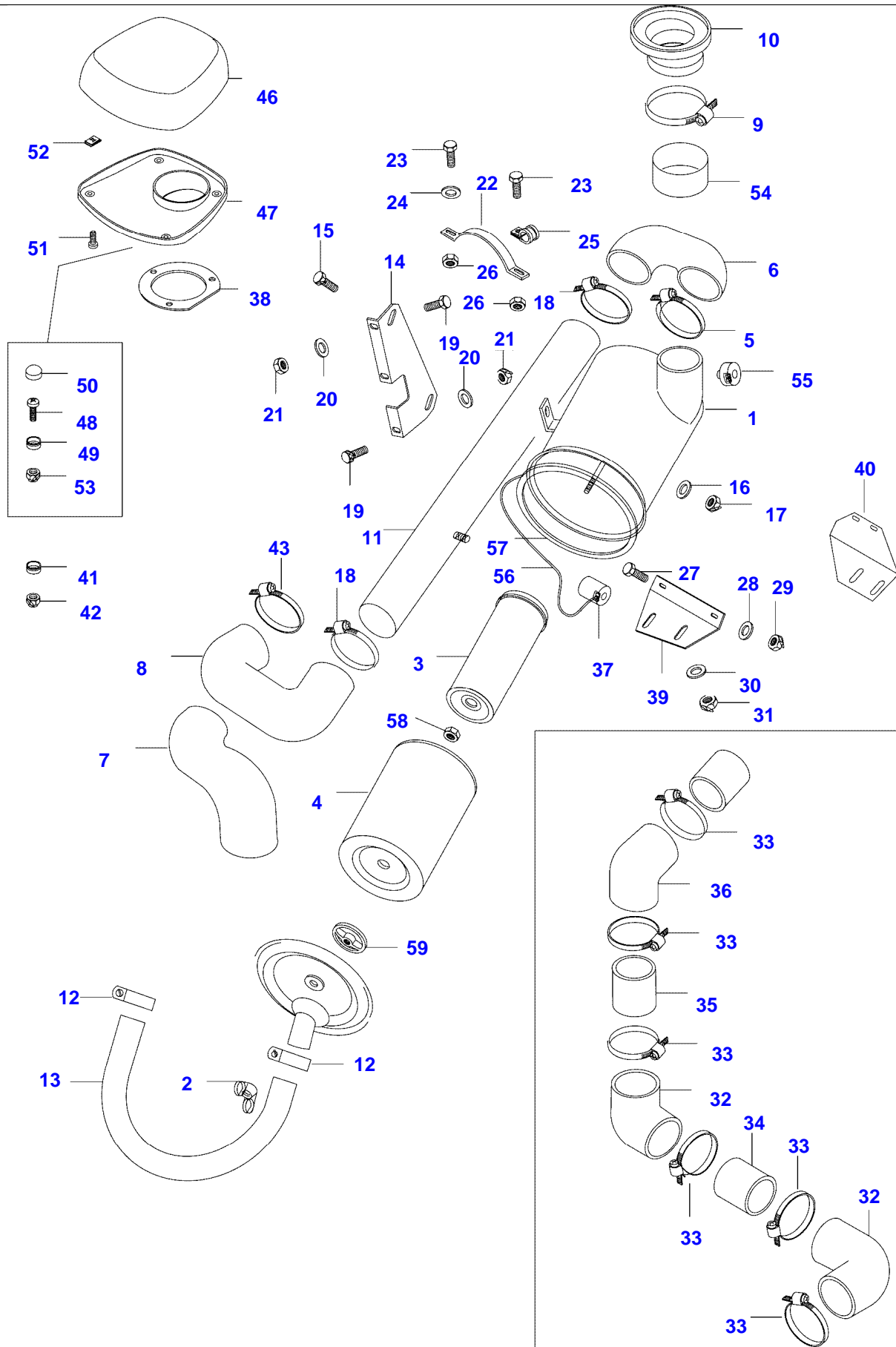
Item	Part Number	Qty	Description Comments
27	V581804600	2	HEX SOCKET SCREW
28	V836846445	1	OIL PIPE -J7033(M)
29	V836122282	1	GASKET -J7033(M) S2
30	V581804620	2	HEX SOCKET SCREW
31	V836336301	1	PIPE -J7033(M)
32	V528801362	1	HEX CAP SCREW
33	V529901930	6	HEX CAP SCREW -G11344(M)
34	V581706350	4	HEX SOCKET SCREW
36	V836866563	1	ADAPTER FLANGE
37	V614702230	1	O-RING
38	V581804680	2	HEX SOCKET SCREW

8000 TRACTOR (MEGA SERIES)
SPIMG-006-21-50



Item	Part Number	Qty	Description Comments
			-F17108
1	V836646966 NS	1	AIR FILTER NON-SERVICEABLE PART
2	V20236409	1	HOUSING FILTER ELEMENT
3	V510200802	2	NUT
4	V836015967	2	SEALING WASHER
5	V20228655	1	FILTER ELEMENT
6	V500150842	5	WASHER
7	V528801362	5	HEX CAP SCREW
8	V602096595	2	HOSE CLIP
9	V836847586	1	RUBBER ELBOW
10	V836116325	1	SENDER
11	V836184229	1	NIPPLE
12	V602097112	2	HOSE CLIP
13	V836138272	1	RUBBER ELBOW
14	V836646968	1	AIR PIPE
15	V504800802	1	NUT
16	V836116039	1	CYCLONE
17	V836130078	1	HOUSING

8000 TRACTOR (MEGA SERIES)
SPIMG-006-21-54



Thank you so much for reading.
Please click the “Buy Now!”
button below to download the
complete manual.



After you pay.

You can download the most
perfect and complete manual in
the world immediately.

Our support email:

ebooklibonline@outlook.com