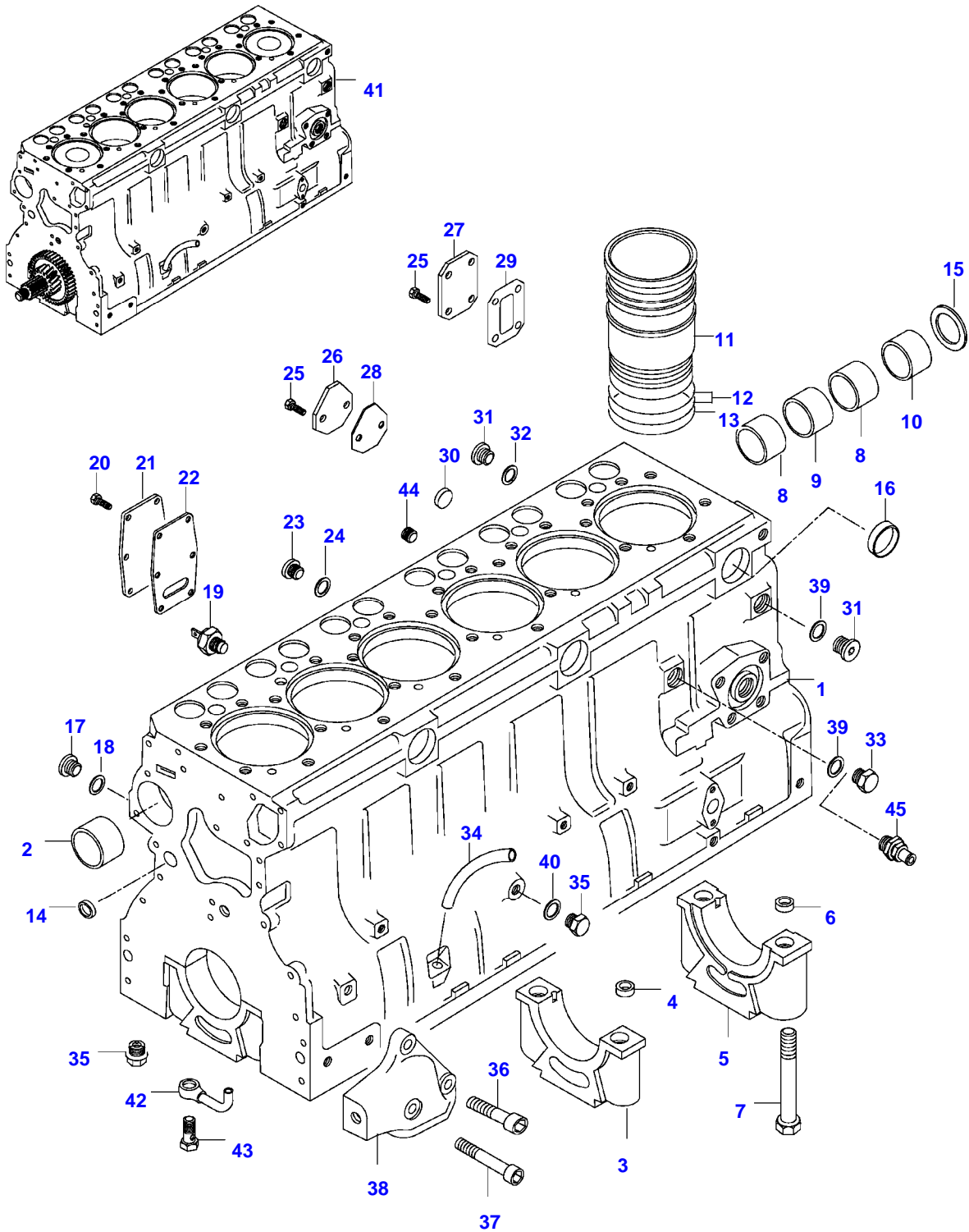


| <b>Page Number</b> | <b>Page Title</b>                   | <b>Page Reference</b> |
|--------------------|-------------------------------------|-----------------------|
| 01-000-TOC         | ENGINE, FUEL AND EXHAUST SYSTEM     | 01-000-TOC            |
| 02-000-TOC         | AXLES                               | 02-000-TOC            |
| 03-000-TOC         | STEERING SYSTEM                     | 03-000-TOC            |
| 04-000-TOC         | DRIVE TRAIN SYSTEM                  | 04-000-TOC            |
| 05-000-TOC         | BRAKE SYSTEM                        | 05-000-TOC            |
| 06-000-TOC         | COMPRESSED AIR SYSTEM               | 06-000-TOC            |
| 07-000-TOC         | HYDRAULIC SYSTEM                    | 07-000-TOC            |
| 08-000-TOC         | ELECTRICAL SYSTEM                   | 08-000-TOC            |
| 09-000-TOC         | CAB                                 | 09-000-TOC            |
| 10-000-TOC         | AIR CONDITIONING AND HEATING SYSTEM | 10-000-TOC            |
| 11-000-TOC         | CHASSIS                             | 11-000-TOC            |
| 12-000-TOC         | DECALS                              | 12-000-TOC            |
| 13-000-TOC         | WHEELS                              | 13-000-TOC            |
| 14-000-TOC         | IMPLEMENT DRIVE SYSTEM              | 14-000-TOC            |
| 15-000-TOC         | IMPLEMENT LIFT SYSTEM FRONT         | 15-000-TOC            |
| 16-000-TOC         | IMPLEMENT LIFT SYSTEM REAR          | 16-000-TOC            |
| 17-000-TOC         | PRECISION FARMING SYSTEMS           | 17-000-TOC            |
| 18-000-TOC         | ATTACHMENTS                         | 18-000-TOC            |
| 19-000-TOC         | GENERAL INFORMATION                 | 19-000-TOC            |

| Page Number | Page Title   | Page Reference |
|-------------|--|----------------|
| 01-0001     | CYLINDERBLOCK  | 21-06          |
| 01-0002     | FLYWHEEL AND HOUSING                                 | 21-12          |
| 01-0003     | CYLINDER HEAD  | 21-18          |
| 01-0004     | VALVE MECHANISM                                      | 21-24          |
| 01-0005     | CRANK MECHANISM                                      | 21-30          |
| 01-0006     | GEAR HOUSING   | 21-32          |
| 01-0007     | OIL FILTER   | 21-34          |
| 01-0008     | OIL SUMP   | 21-42          |
| 01-0009     | AIR CLEANER  | 21-54          |
| 01-0010     | INTAKE- AND EXHAUST PIPE<br>-N12152(M)               | 21-62          |
| 01-0011     | INTAKE- AND EXHAUST PIPE<br>N12153-(M)               | 21-62B         |
| 01-0012     | MUFFLER  | 21-66          |
| 01-0013     | TURBOCHARGER   | 21-76          |
| 01-0014     | COLD-STARTING DEVICE                                 | 21-82          |
| 01-0015     | FUEL FILTER<br>-N12152(M)                            | 22-24          |
| 01-0016     | FUEL FILTER<br>N12153-(M)                            | 22-24A         |
| 01-0017     | WATER SEPARATOR                                      | 22-26          |
| 01-0018     | PREFILTER, FUEL                                      | 22-28          |
| 01-0019     | FUEL PIPES   | 22-30          |
| 01-0020     | INJECTION PUMP<br>-L10240(M)                         | 22-42          |
| 01-0021     | INJECTION PUMP<br>L10241(M)-N12152(M)                | 22-42B         |
| 01-0022     | INJECTION PUMP<br>N12153-(M)                         | 22-42D         |
| 01-0023     | SPEED LEVERS<br>-N10361(M)                           | 22-52          |
| 01-0024     | SPEED LEVERS<br>N10362-(M)                           | 22-56          |
| 01-0025     | RADIATOR   | 23-06          |
| 01-0026     | COOLANT PUMP   | 23-16          |
| 01-0027     | STARTERMOTOR   | 31-04          |
| 01-0028     | ALTERNATOR<br>-N12152(M)                             | 31-12          |
| 01-0029     | ALTERNATOR<br>N12153-(M)                             | 31-14B         |
| 01-0030     | ALTERNATOR   | 31-16          |
| 01-0031     | ELECTRICAL EQUIPMENT ENGINE, EEM PARTS<br>N12153-(M) | 33-32          |
| 01-0032     | GASKET SETS  | 28-06          |
| 01-0033     | GASKET SETS  | 28-12          |
| 01-0034     | ENGINE REPAIR KIT AND BEARING                        | 28-16          |
| 01-0035     | ADJUSTING PLATE FOR INJECTOR                         | 28-18          |
| 01-0036     | CATALYZER (OPTIONAL EQUIPMENT)                       | 29-16          |
| 01-0037     | PILLAR EXHAUST PIPE (OPTIONAL EQUIPMENT)             | 29-22          |
| 01-0038     | SHIELD COVER AIR CLEANER (OPTIONAL EQUIPMENT)        | 29-26          |
| 01-0039     | ENGINE HEATER (OPTIONAL EQUIPMENT)                   | 39-04          |

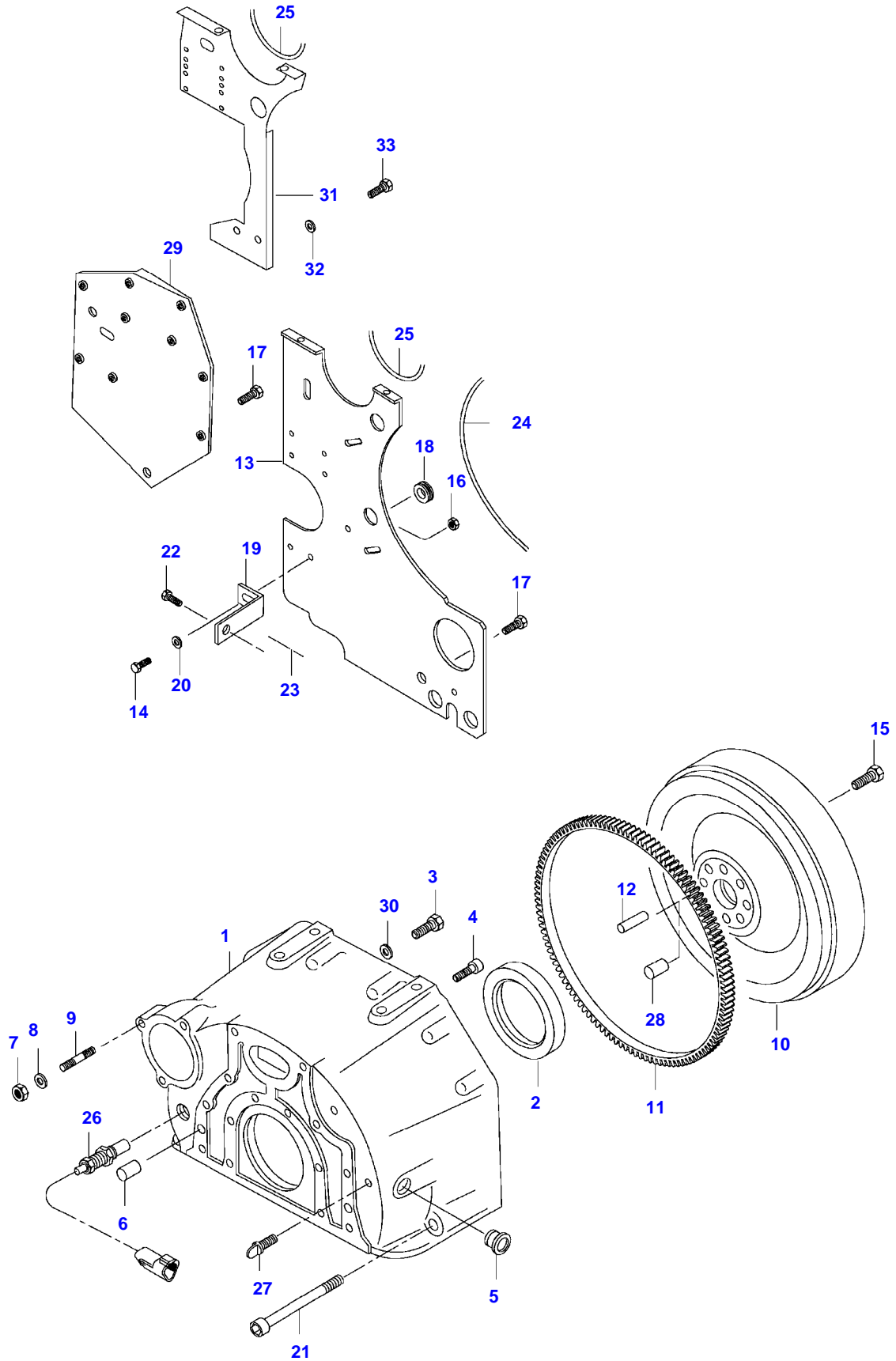
8050E TRACTOR (MEGA SERIES)  
SPIMG-006-21-06



| Item | Part Number | Qty | Description<br>Comments               |
|------|-------------|-----|---------------------------------------|
| 1    | V836866110  | 1   | CYLINDER BLOCK                        |
| 2    | V836866069  | 1   | CAMSHAFT BEARING BUSHING              |
| 3    | NS          | 6   | NON-SERVICEABLE PART                  |
| 4    | V836214478  | 12  | BEARING COVER<br>GUIDE SLEEVE         |
| 5    | NS          | 1   | NON-SERVICEABLE PART                  |
| 6    | V836214478  | 2   | BEARING COVER<br>GUIDE SLEEVE         |
| 7    | V835329030  | 14  | HEX CAP SCREW                         |
| 8    | V836852460  | 2   | CAMSHAFT BEARING BUSHING              |
| 9    | V836852459  | 1   | C2751-(M)<br>CAMSHAFT BEARING BUSHING |
| 10   | V836852461  | 1   | C2751-(M)<br>CAMSHAFT BEARING BUSHING |
| 11   | V836666990  | 6   | C2751-(M)<br>LINER                    |
| 12   | V836647502  | 12  | CYLINDER LINER O-RING<br>S2           |
| 13   | V836647503  | 6   | CYLINDER LINER O-RING<br>S2           |
| 14   | V640016016  | 4   | CUP PLUG<br>S2                        |
| 15   | V836529872  | 1   | PLUG<br>-C2751(M)                     |
|      | V836852744  | 1   | PLUG<br>C2751-(M)                     |
| 16   | V640016040  | 2   | CUP PLUG                              |
| 17   | V640325110  | 3   | SCREW PLUG                            |
| 18   | V615571014  | 3   | SEALING WASHER<br>S2                  |
| 19   | V887283760  | 1   | PRESSURE SWITCH                       |
| 20   | V528801380  | 6   | HEX CAP SCREW                         |
| 21   | V836847994  | 1   | FLANGE                                |
| 22   | V836322852  | 1   | GASKET<br>2S                          |
| 24   | V615881620  | 1   | SEALING WASHER<br>S2                  |
| 25   | V528801362  | 2   | HEX CAP SCREW<br>-H3774(M)            |
|      | V528801362  | 4   | HEX CAP SCREW<br>H3774-(M)            |
| 26   | V836647400  | 1   | COVER<br>H3774-(M)                    |
| 27   | V836866957  | 1   | COVER<br>N12153-(M)                   |
| 28   | V836647401  | 1   | GASKET<br>H3774-(M)<br>S2             |
| 29   | V836866958  | 1   | GASKET<br>N12153-(M)<br>S2            |
| 30   | V640016018  | 2   | CUP PLUG                              |
| 31   | V640325018  | 2   | PLUG                                  |
| 32   | V615881822  | 3   | SEALING WASHER<br>S2                  |
| 33   | V836019756  | 1   | PLUG                                  |
| 34   | V836129747  | 1   | OIL DIPSTICK GUIDE PIPE               |

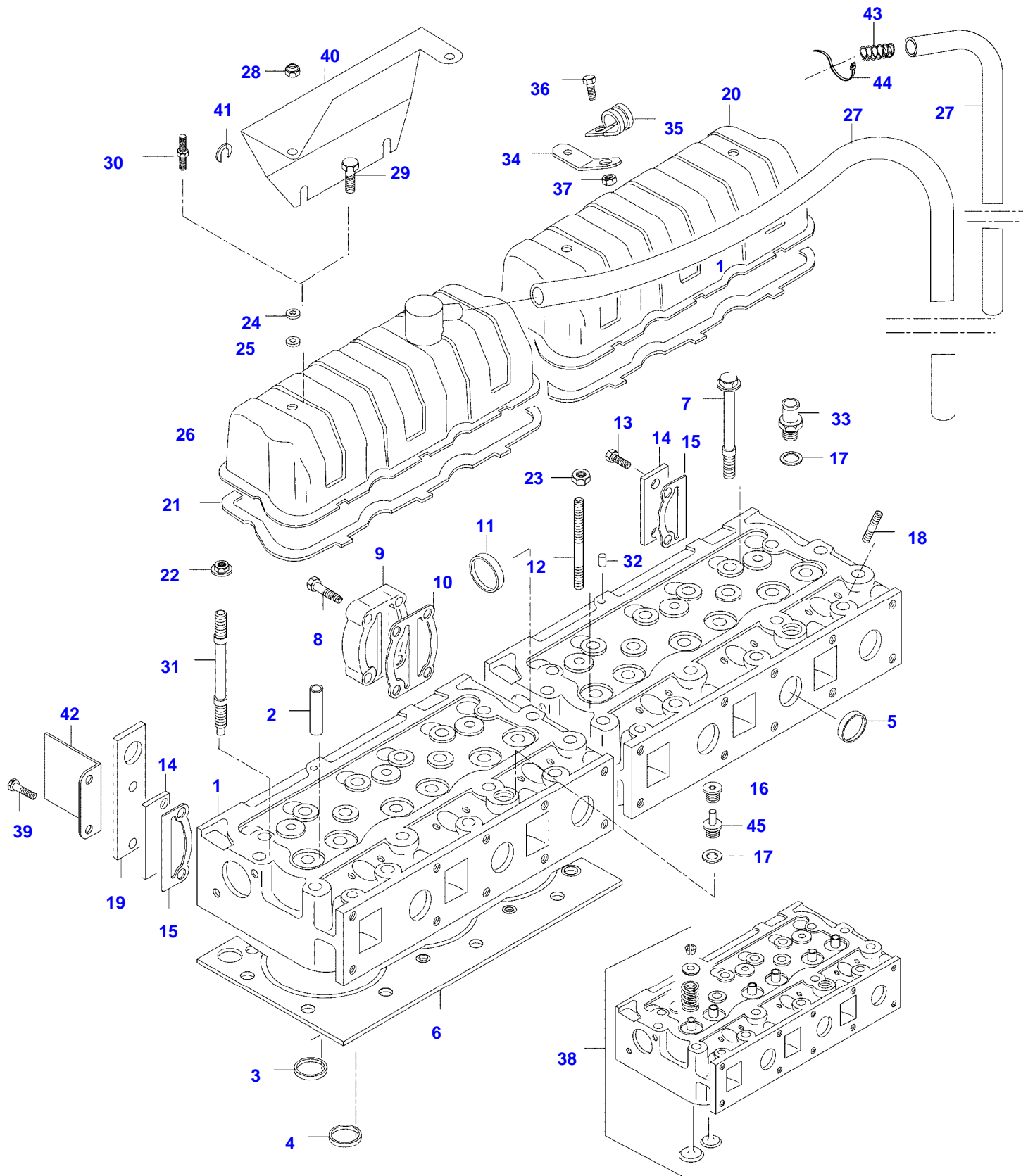
| Item | Part Number | Qty | Description<br>Comments           |
|------|-------------|-----|-----------------------------------|
| 35   | V640305012  | 7   | PLUG                              |
| 36   | V581705850  | 4   | HEX SOCKET SCREW                  |
| 37   | V581705890  | 2   | HEX SOCKET SCREW                  |
| 38   | V836346012  | 1   | ENGINE MOUNT<br>LEFT              |
|      | V836346013  | 1   | ENGINE MOUNT<br>RIGHT             |
| 39   | V615881824  | 1   | SEALING WASHER<br>S2              |
| 40   | V615881216  | 1   | SEALING WASHER<br>S2              |
| 41   | V862760001  | 1   | REMANUFACTURED SHORT BLOCK ENGINE |
| 44   | V640025010  | 1   | PLUG                              |
| 45   | V836664377  | 1   | DRAIN VALVE                       |
|      | V836840237  | 1   | ENGINE GASKET KIT<br>S1           |
|      | V836840238  | 1   | ENGINE GASKET KIT<br>S1+S2        |

8050E TRACTOR (MEGA SERIES)  
SPIMG-006-21-12



| Item | Part Number | Qty | Description<br>Comments    | Technical Specification        |
|------|-------------|-----|----------------------------|--------------------------------|
| 1    | V836647439  | 1   | FLYWHEEL HOUSING           |                                |
| 2    | V614500002  | 1   | CRANKSHAFT SEAL<br>S2      |                                |
| 3    | V529702220  | 8   | HEX CAP SCREW              |                                |
| 4    | V581705030  | 6   | HEX SOCKET SCREW           |                                |
| 5    | V836007572  | 1   | RUBBER PLUG                |                                |
| 6    | V598359850  | 2   | PIN                        |                                |
| 7    | V504601000  | 3   | NUT                        |                                |
| 8    | V500951000  | 3   | SPRING WASHER              |                                |
| 9    | V546801800  | 3   | STUD BOLT                  |                                |
| 10   | V836859824  | 1   | FLYWHEEL                   |                                |
| 11   | V835328783  | 1   | STARTER RING               |                                |
| 12   | V595955060  | 1   | PIN                        |                                |
| 13   | V836855878  | 1   | FLYWHEEL HOUSING           |                                |
| 14   | V528801362  | 3   | HEX CAP SCREW              |                                |
| 15   | V528702230  | 7   | HEX CAP SCREW              |                                |
| 16   | V504800800  | 2   | NUT                        |                                |
| 17   | V528802180  | 2   | HEX CAP SCREW              |                                |
| 18   | V835338745  | 1   | RUBBER INLET               |                                |
| 19   | V836755361  | 1   | SUPPORT                    |                                |
| 20   | V500150842  | 3   | WASHER                     |                                |
| 21   | VHC9784     | 2   | HEX SOCKET SCREW           | M12 X 140 SFS_EN_ISO_4762 12.9 |
| 22   | V528801800  | 1   | HEX CAP SCREW              |                                |
| 23   | V32664900   | 1   | SHIELD                     |                                |
| 24   | V32604100   | 1   | BAND                       |                                |
| 25   | V32604200   | 1   | BAND                       |                                |
| 27   | V836859311  | 1   | PLUG                       |                                |
| 28   | V836659527  | 1   | GUIDE SLEEVE<br>H17163-(M) |                                |
| 29   | V836759798  | 1   | BRACKET<br>J7037-(M)       |                                |
| 30   | V500951200  | 8   | SPRING WASHER              |                                |
| 31   | V34172400   | 1   | HOLDER                     |                                |
| 32   | VJD0408     | 2   | WASHER                     | M8                             |
| 33   | VHA6322     | 2   | SCREW                      | M8 X 16 SFS_EN_ISO_4017 8.8    |

8050E TRACTOR (MEGA SERIES)  
SPIMG-006-21-18

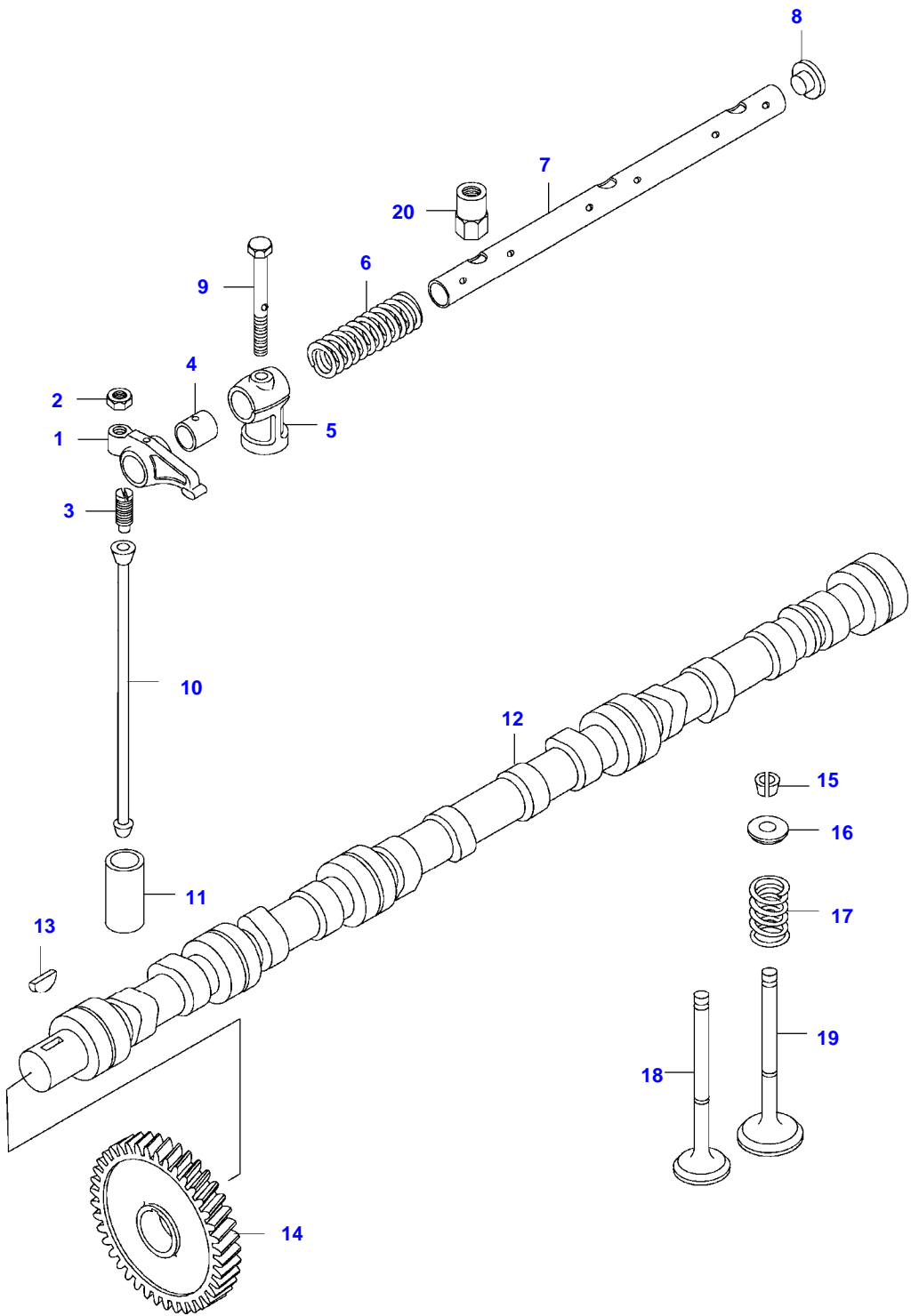




| Item | Part Number | Qty | Description<br>Comments          |
|------|-------------|-----|----------------------------------|
| 1    | V836655379  | 2   | CYLINDER HEAD                    |
| 2    | V836647601  | 12  | GUIDE                            |
| 3    | V836647600  | 6   | VALVE SEAT                       |
| 5    | V836647942  | 10  | EXHAUST<br>CUP PLUG              |
| 6    | V836666302  | 2   | CYLINDER HEAD GASKET<br>S1       |
| 7    | V836859104  | 32  | HEXAGON FLANGE BOLT              |
| 8    | V528801420  | 4   | HEX CAP SCREW                    |
|      | V529801830  | 4   | HEX CAP SCREW                    |
| 9    | V836855348  | 1   | CONNECTION FLANGE                |
| 10   | V836866214  | 1   | GASKET<br>S1                     |
| 11   | V640016045  | 1   | CUP PLUG                         |
| 12   | V836652357  | 4   | STUD BOLT                        |
|      | V546801900  | 4   | STUD BOLT<br>F9059-(M)           |
| 13   | V528801380  | 2   | HEX CAP SCREW                    |
|      | V528801800  | 2   | HEX CAP SCREW                    |
| 14   | V836855350  | 2   | BLOCK OFF PLATE                  |
| 15   | V836866215  | 2   | GASKET<br>S1                     |
| 16   | V640325018  | 1   | PLUG                             |
| 45   | V836659058  | 1   | CONNECTOR<br>J7034-(M)           |
| 17   | V615881822  | 2   | SEALING WASHER<br>S1             |
| 18   | V546901435  | 12  | STUD BOLT                        |
| 19   | V836855349  | 1   | LIFT EYE                         |
|      | V836855349  | 2   | LIFT EYE<br>E3979-(M)            |
| 20   | V836846448  | 1   | VALVE ROCKER COVER               |
|      | V836846448  | 1   | VALVE ROCKER COVER<br>N12153-(M) |
| 21   | V836646360  | 2   | VALVE ROCKER COVER GASKET<br>S1  |
| 22   | V836859110  | 2   | NUT                              |
| 23   | V504601000  | 4   | NUT<br>-F9354(M)                 |
|      | V836655406  | 4   | SLEEVE NUT<br>F9355-(M)          |
| 24   | V836119855  | 4   | WASHER                           |
| 25   | V836012841  | 4   | RUBBER BUSHING<br>S1             |
| 26   | V836646359  | 1   | VALVE ROCKER COVER               |
| 27   | V836859875  | 1   | RUBBER HOSE                      |
|      | V836647814  | 1   | RUBBER HOSE<br>N12153-(M)        |
| 28   | V510601002  | 4   | NUT                              |
| 29   | V528801780  | 1   | HEX CAP SCREW<br>F9355-(M)       |
| 30   | V836659175  | 3   | STUD BOLT<br>F9355-(M)           |
| 31   | V836859109  | 2   | STUD BOLT                        |
| 32   | V595959140  | 2   | PIN                              |
| 33   | V836119837  | 1   | HOSE COUPLER                     |
| 34   | V836652567  | 1   | SUPPORT                          |
| 35   | V602074528  | 1   | HOSE CLIP                        |
|      | V836659539  | 1   | CLAMP<br>H13177-(M)              |
| 36   | V528801362  | 1   | HEX CAP SCREW                    |
| 37   | V504800800  | 1   | NUT                              |
| 38   | V836640853  | 2   | CYLINDER HEAD                    |

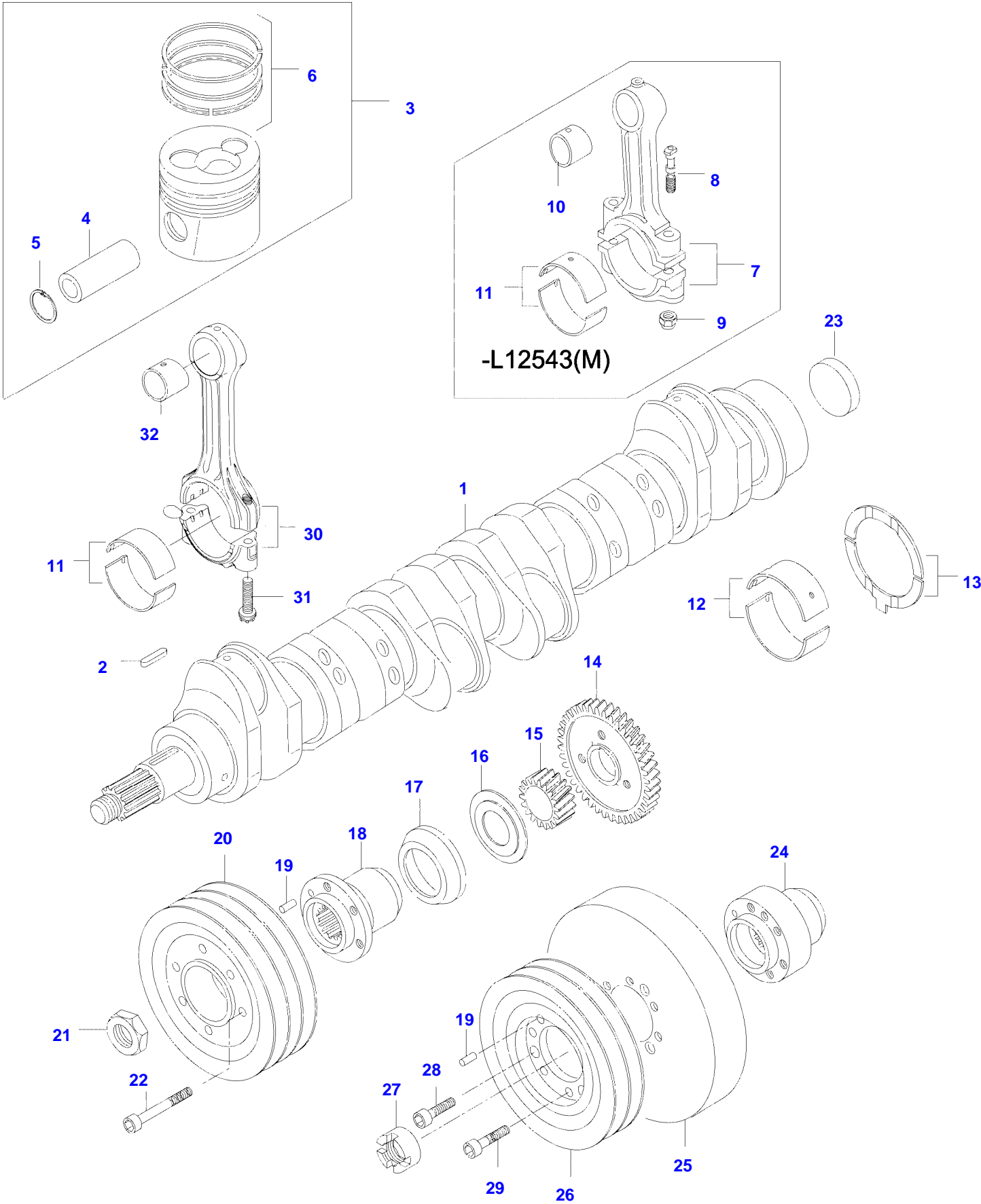
| <b>Item</b> | <b>Part Number</b> | <b>Qty</b> | <b>Description<br/>Comments</b> |
|-------------|--------------------|------------|---------------------------------|
| 39          | V528801820         | 2          | HEX CAP SCREW                   |
|             | V528801380         | 2          | HEX CAP SCREW                   |
| 40          | V836859843         | 1          | HEAT SHIELD                     |
|             | V836866843         | 1          | HEAT SHIELD<br>N12153-(M)       |
| 41          | V836864223         | 2          | LOCK RING                       |
| 42          | V836666199         | 1          | HEAT SHIELD<br>L8223-(M)        |
| 43          | V836659103         | 1          | SPRING<br>N12153-(M)            |
| 44          | V835329746         | 1          | CABLE TIE<br>N12153-(M)         |

8050E TRACTOR (MEGA SERIES)  
SPIMG-006-21-24



| Item | Part Number | Qty | Description<br>Comments       |
|------|-------------|-----|-------------------------------|
|      | V836646332  | 2   | ROCKER SHAFT ASM<br>-F9058(M) |
| 1    | V835328363  | 12  | ROCKER ARM                    |
| 2    | V504800800  | 12  | NUT                           |
| 3    | V836010106  | 12  | VALVE ROCKER ADJUSTMENT SCREW |
| 4    | V836006586  | 12  | BEARING                       |
| 5    | V836006580  | 6   | BRACKET                       |
| 6    | V836006582  | 4   | SPRING                        |
| 7    | V836646329  | 2   | SHAFT                         |
| 8    | V836655113  | 4   | PLUG                          |
|      | V836666610  | 2   | ROCKER SHAFT ASM<br>F9059-(M) |
| 1    | V836666608  | 12  | ROCKER ARM                    |
| 2    | V512861000  | 12  | NUT                           |
| 3    | V836655866  | 12  | ADJUSTING SCREW               |
| 5    | V836655869  | 6   | BRACKET                       |
| 6    | V836655884  | 4   | SPRING                        |
| 7    | V836655870  | 2   | SHAFT                         |
| 8    | V836655899  | 4   | PLUG                          |
| 9    | V529801910  | 2   | HEX CAP SCREW                 |
| 10   | V836110237  | 12  | PUSHROD<br>-F9058(M)          |
|      | V836655867  | 12  | PUSHROD<br>F9059-(M)          |
| 11   | V836014264  | 12  | TAPPET                        |
| 12   | V836846376  | 1   | CAMSHAFT<br>-L13187(M)        |
|      | V836866054  | 1   | CAMSHAFT<br>L13188-(M)        |
| 13   | V603305760  | 1   | WOODRUFF KEY                  |
| 14   | V836646389  | 1   | GEAR,CAMSHAFT                 |
| 15   | V836646382  | 24  | COTTER                        |
| 16   | V836646381  | 12  | WASHER                        |
| 17   | V836646380  | 12  | SPRING                        |
| 18   | V836646357  | 6   | EXHAUST VALVE                 |
| 19   | V836646356  | 6   | INTAKE VALVE                  |
| 20   | V836655406  | 4   | SLEEVE NUT<br>F9059-(M)       |

8050E TRACTOR (MEGA SERIES)  
SPIMG-006-21-30



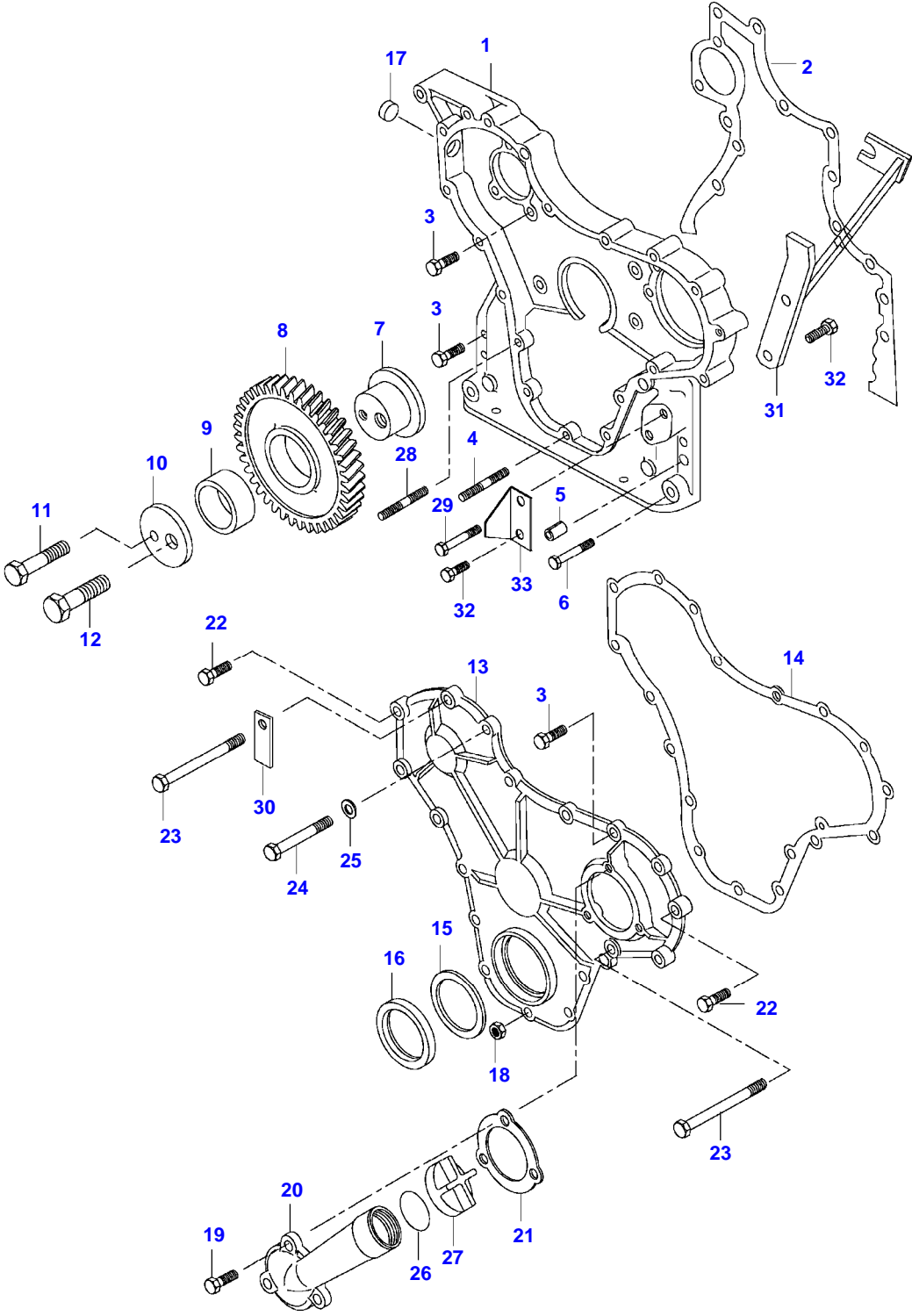
| Item | Part Number | Qty | Description<br>Comments               | Technical Specification |
|------|-------------|-----|---------------------------------------|-------------------------|
| 1    | V836847352  | 1   | CRANKSHAFT                            |                         |
|      | V836866474  | 1   | CRANKSHAFT<br>N12153-(M)              |                         |
| 2    | V603345110  | 1   | KEY                                   |                         |
| 3    | V836655269  | 6   | KIT, PISTON                           |                         |
| 4    | NS          | 6   | NON-SERVICEABLE PART                  |                         |
|      |             |     | PISTON PIN                            |                         |
| 5    | NS          | 12  | NON-SERVICEABLE PART                  |                         |
|      |             |     | CIRCLIP                               |                         |
| 6    | V836640126  | 6   | PISTON RING KIT                       |                         |
|      |             |     | PISTON                                |                         |
| 3    | V836659702  | 6   | L10241-(M)                            |                         |
| 4    | NS          | 6   | NON-SERVICEABLE PART                  |                         |
|      |             |     | PISTON PIN                            |                         |
| 5    | NS          | 12  | NON-SERVICEABLE PART                  |                         |
|      |             |     | CIRCLIP                               |                         |
| 6    | V836640126  | 6   | PISTON RING KIT                       |                         |
|      |             |     | L10241-(M)                            |                         |
| 7    | V836647460  | 6   | CONROD<br>2150-2169 G X<br>-L12543(M) |                         |
|      | V836652104  |     | CONROD<br>2170-2189 G A<br>-L12543(M) |                         |
|      | V836652105  |     | CONROD<br>2190-2209 G B<br>-L12543(M) |                         |
|      | V836652106  |     | CONROD<br>2210-2229 G C<br>-L12543(M) |                         |
|      | V836652107  |     | CONROD<br>2230-2249 G D<br>-L12543(M) |                         |
|      | V836652108  |     | CONROD<br>2250-2269 G E<br>-L12543(M) |                         |
|      | V836652109  |     | CONROD<br>2270-2289 G H<br>-L12543(M) |                         |
|      | V836652110  |     | CONROD<br>2290-2309 G I<br>-L12543(M) |                         |
|      | V836652111  |     | CONROD<br>2310-2329 G J<br>-L12543(M) |                         |
|      | V836652112  |     | CONROD<br>2330-2349 G K<br>-L12543(M) |                         |
|      | V836652113  |     | CONROD<br>2350-2369 G L<br>-L12543(M) |                         |
|      | V836652114  |     | CONROD<br>2370-2389 G M<br>-L12543(M) |                         |
|      | V836652115  |     | CONROD<br>2390-2409 G N<br>-L12543(M) |                         |
|      | V836652116  |     | CONROD<br>2410-2429 G O<br>-L12543(M) |                         |

| Item | Part Number | Qty | Description<br>Comments  | Technical Specification |
|------|-------------|-----|--|-------------------------|
|      | V836652117  |     | CONROD<br>2430-2449 G P<br>-L12543(M)  |                         |
|      | V836652118  |     | CONROD<br>2450-2469 G R<br>-L12543(M)  |                         |
|      | V836652119  |     | CONROD<br>2470-2489 G S<br>-L12543(M)  |                         |
|      | V836652120  |     | CONROD<br>2490-2509 G T<br>-L12543(M)  |                         |
|      | V836652121  |     | CONROD<br>2510-2529 G U<br>-L12543(M)  |                         |
| 30   | NS          |     | NON-SERVICEABLE PART<br>CONNECTING ROD<br>1935-1954 G F<br>L12544-(M)<br>[A] |                         |
|      | NS          |     | NON-SERVICEABLE PART<br>CONNECTING ROD<br>1955-1974 G V<br>L12544-(M)<br>[A] |                         |
|      | NS          |     | NON-SERVICEABLE PART<br>CONNECTING ROD<br>1975-1994 G X<br>L12544-(M)<br>[A] |                         |
|      | NS          |     | NON-SERVICEABLE PART<br>CONNECTING ROD<br>1995-2014 G Y<br>L12544-(M)<br>[A] |                         |
|      | NS          |     | NON-SERVICEABLE PART<br>CONNECTING ROD<br>2015-2034 G W<br>L12544-(M)<br>[A] |                         |
|      | NS          |     | NON-SERVICEABLE PART<br>CONNECTING ROD<br>2035-2054 G Z<br>L12544-(M)<br>[A] |                         |
|      | NS          |     | NON-SERVICEABLE PART<br>CONNECTING ROD<br>2055-2074 G G<br>L12544-(M)<br>[A] |                         |
| 8    | V836646204  | 12  | CONNECTING ROD BOLT<br>.<br>-L12543(M)                                       |                         |
| 31   | V836864141  | 12  | CONNECTING ROD BOLT<br>.<br>L12544-(M)<br>[A]                                |                         |
| 9    | V836646205  | 12  | NUT<br>.   |                         |
| 10   | V836646271  | 6   | -L12543(M)<br>BEARING BUSH<br>.  |                         |
| 32   | V836110646  | 6   | -L12543(M)<br>BEARING BUSH<br>.<br>L12544-(M)<br>[A]                         | STD                     |

| Item | Part Number | Qty | Description<br>Comments                                       | Technical Specification |
|------|-------------|-----|---|-------------------------|
| 11   | V836110552  | 6   | BEARING SHELL<br>SEE PAGE 01-0034                             |                         |
| 12   | V836655514  | 7   | MAIN BEARING<br>SEE PAGE 01-0034                              |                         |
| 13   | V836119459  | 2   | THRUST WASHER<br>SEE PAGE 01-0034                             |                         |
| 14   | V836119550  | 1   | GEAR,CRANKSHAFT   |                         |
| 15   | V836122840  | 1   | GEAR,CRANKSHAFT   |                         |
| 16   | V836129781  | 1   | RING  |                         |
| 17   | V836136271  | 1   | SHIELD  |                         |
| 18   | V836846463  | 1   | CRANKSHAFT HUB  |                         |
| 19   | V595953360  | 1   | PIN   |                         |
| 20   | V836864290  | 1   | CRANKSHAFT V-BELT PULLEY<br>DUAL GROOVE                       |                         |
|      | V836866625  | 1   | PULLEY<br>N12153-(M)  |                         |
| 21   | V836647310  | 1   | CRANKSHAFT NUT  |                         |
| 22   | V581804680  | 6   | HEX SOCKET SCREW  |                         |
|      | V581804670  | 6   | HEX SOCKET SCREW<br>N12153-(M)                                |                         |
| 23   | V836852082  | 1   | PLUG  |                         |
|      |             |     | [A] V836840928 CONNECTING ROD SET L12544-(M), REF. 30, 31, 32 |                         |

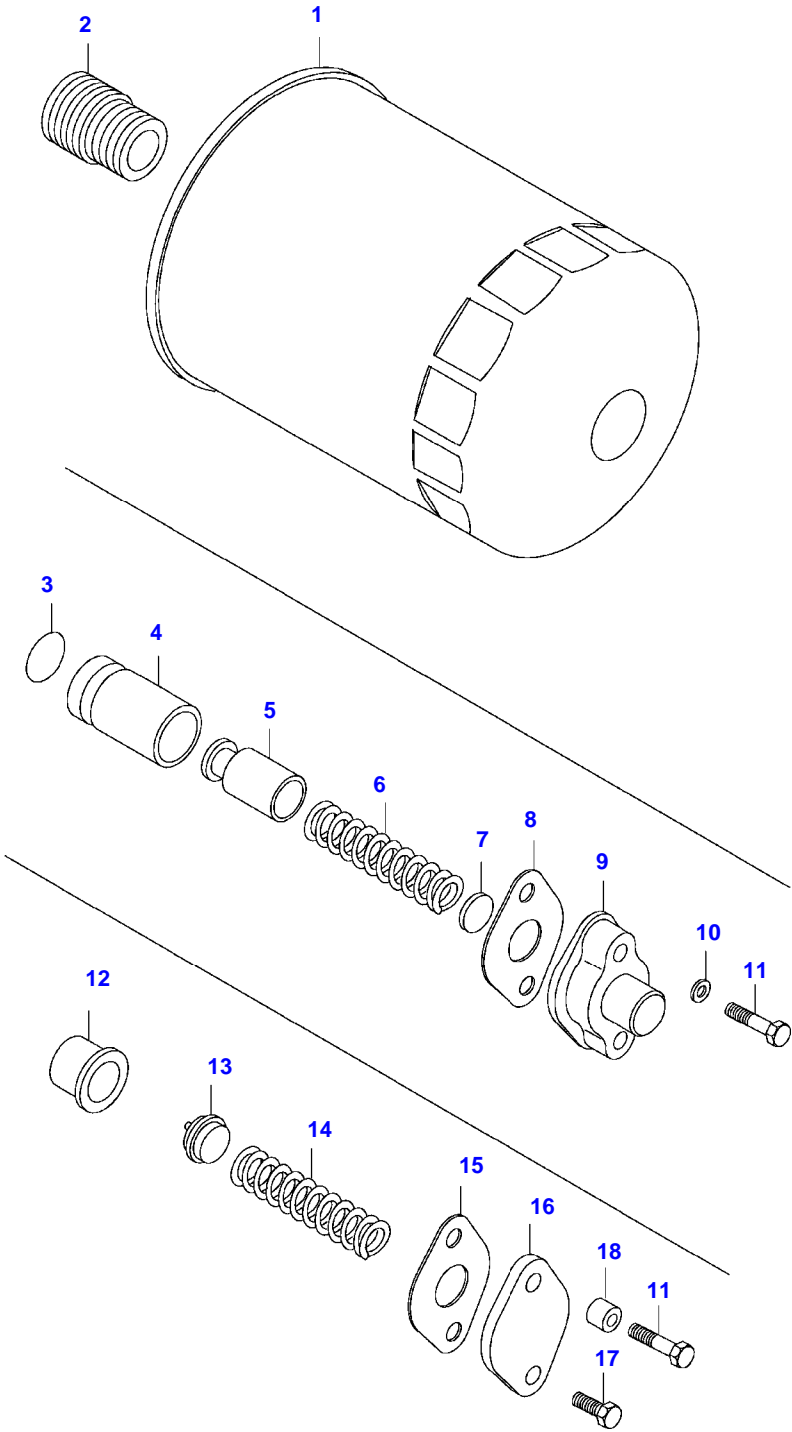


8050E TRACTOR (MEGA SERIES)  
SPIMG-006-21-32-



| Item | Part Number | Qty | Description<br>Comments              |
|------|-------------|-----|--------------------------------------|
| 1    | V836647865  | 1   | TIMING GEAR CASE                     |
|      | V836666400  | 1   | TIMING GEAR CASE<br>N12153-(M)       |
| 2    | V836647419  | 1   | GASKET<br>S2                         |
| 3    | V528801400  | 11  | HEX CAP SCREW                        |
| 4    | V546801380  | 4   | STUD BOLT                            |
| 5    | V598359850  | 4   | PIN                                  |
| 6    | V529801440  | 2   | HEX CAP SCREW                        |
| 7    | V836129709  | 1   | SHAFT                                |
| 8    | V836129863  | 1   | IDLER GEAR                           |
| 9    | V836129844  | 1   | BEARING BUSH                         |
| 10   | V836129845  | 1   | FLANGE                               |
| 11   | V528801860  | 1   | HEX CAP SCREW                        |
| 12   | V529902680  | 1   | HEX CAP SCREW                        |
| 13   | V836647572  | 1   | GEAR HOUSING FRONT COVER             |
| 14   | V836129942  | 1   | GASKET<br>S2                         |
| 15   | V836129782  | 1   | COVER                                |
| 16   | V614105880  | 1   | OIL SEAL<br>S2                       |
| 17   | V640016016  | 1   | CUP PLUG                             |
| 18   | V504800800  | 5   | NUT                                  |
| 19   | V528801380  | 3   | HEX CAP SCREW                        |
| 20   | V836746921  | 1   | PIPE                                 |
| 21   | V836129946  | 1   | GASKET<br>S2                         |
| 22   | V528801420  | 4   | HEX CAP SCREW                        |
| 23   | V529801500  | 2   | HEX CAP SCREW                        |
| 24   | V529801470  | 3   | HEX CAP SCREW                        |
| 25   | V836120989  | 1   | WASHER                               |
| 26   | V614604740  | 1   | O-RING<br>S2                         |
| 27   | V836338733  | 1   | OIL FILLER CAP                       |
| 29   | V529801450  | 1   | HEX CAP SCREW                        |
| 30   | V836083428  | 2   | CABLE TIE                            |
| 31   | V836655512  | 1   | BRACKET                              |
|      | V836664528  | 1   | THROTTLE SENSOR BRACKET<br>L8253-(M) |
| 32   | V528801362  | 3   | HEX CAP SCREW                        |
| 33   | V836652318  | 1   | TIMING MARK INDICATOR<br>N12153-(M)  |

8050E TRACTOR (MEGA SERIES)  
SPIMG-006-21-34



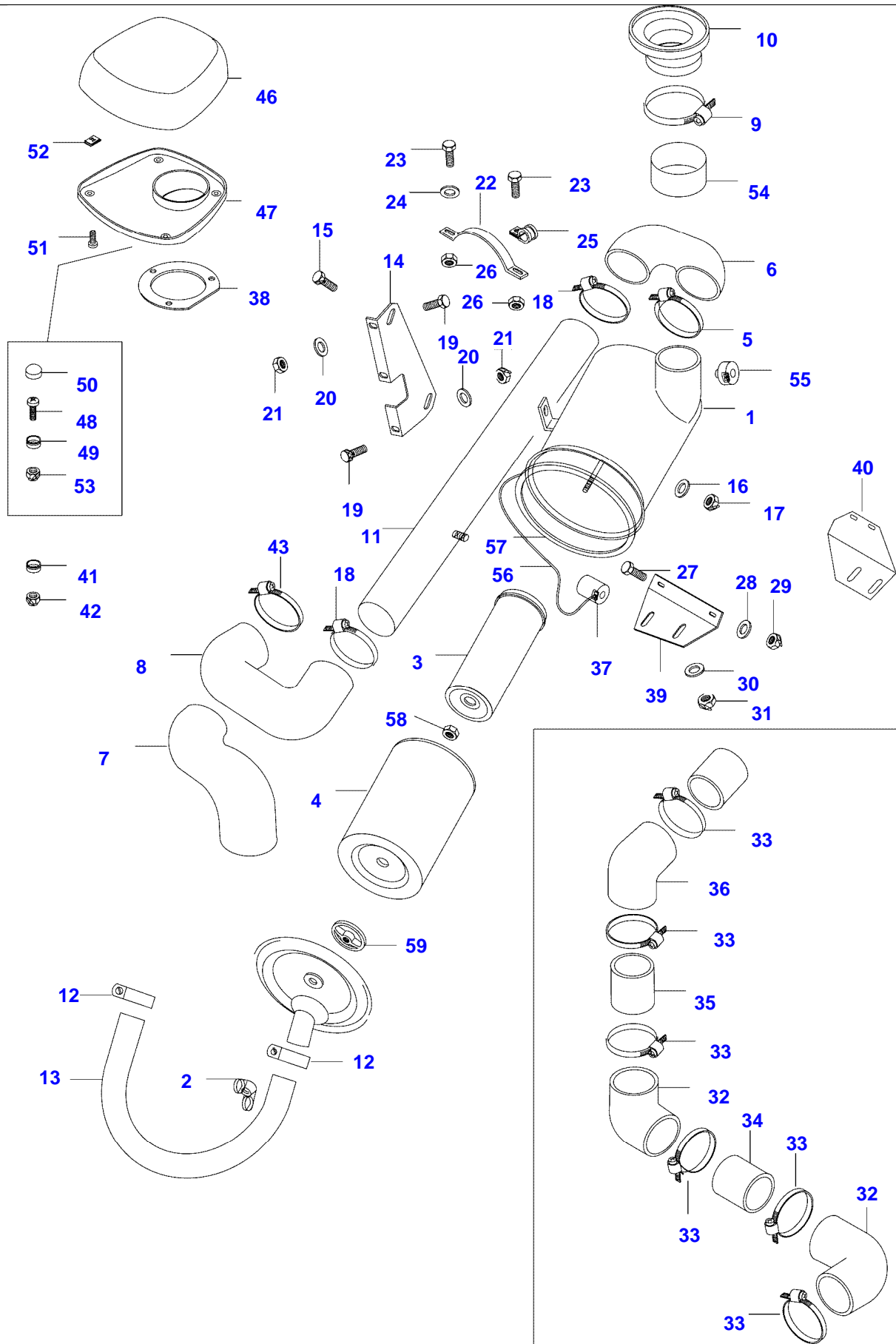
| Item | Part Number | Qty | Description<br>Comments    |
|------|-------------|-----|----------------------------|
| 1    | V836662580  | 1   | ENGINE OIL FILTER          |
| 2    | V836647404  | 1   | UNION                      |
|      | V835340042  |     | OIL PRESSURE CONTROL VALVE |
| 3    | V614601524  | 1   | O-RING                     |
|      |             |     | .                          |
|      |             |     | S2                         |
| 4    | V836117834  | 1   | CYLINDER                   |
|      |             |     | .                          |
| 5    | V836338850  | 1   | OIL PRESSURE CONTROL VALVE |
|      |             |     | .                          |
| 6    | V836117836  | 1   | SPRING                     |
|      |             |     | .                          |
| 7    | V836020290  | 1   | INJECTOR SHIM              |
|      |             |     | .                          |
| 8    | V836322190  | 1   | GASKET                     |
|      |             |     | .                          |
|      |             |     | S2                         |
| 9    | V836129849  | 1   | COVER                      |
| 10   | V500950800  | 1   | SPRING WASHER              |
| 11   | V528801420  | 2   | HEX CAP SCREW              |
|      | V836662129  |     | OIL PRESSURE CONTROL VALVE |
|      |             |     | J7602-(M)                  |
| 12   | V836659521  | 1   | VALVE SEAT                 |
|      |             |     | .                          |
| 13   | V836659522  | 1   | VALVE CONE                 |
|      |             |     | .                          |
| 14   | V836659523  | 1   | SPRING                     |
|      |             |     | .                          |
| 15   | V836322190  | 1   | GASKET                     |
|      |             |     | .                          |
| 16   | V836659524  | 1   | COVER                      |
|      |             |     | .                          |
| 17   | V528801380  | 1   | HEX CAP SCREW              |
|      |             |     | .                          |
| 18   | V836136337  | 1   | SPACER PIECE               |
|      |             |     | .                          |



| Item | Part Number | Qty | Description<br>Comments                   |
|------|-------------|-----|---|
| 1    | V836847762  | 1   | OIL SUMP                                  |
| 2    | V836322183  | 1   | OIL SUMP GASKET<br>S2                     |
| 3    | V836129727  | 2   | GASKET<br>S2                              |
| 4    | V581704830  | 2   | HEX SOCKET SCREW                          |
| 5    | V529902020  | 4   | HEX CAP SCREW                             |
| 6    | V529901890  | 14  | HEX CAP SCREW<br>-G11344(M)               |
| 7    | V615882432  | 1   | SEALING WASHER<br>S2                      |
|      | V615881827  | 1   | SEALING WASHER<br>S2                      |
| 8    | V836655495  | 1   | PLUG                                      |
|      | V836655493  | 1   | PLUG                                      |
| 9    | V836847652  | 1   | DIPSTICK                                  |
|      | V836852607  | 1   | LUBRICATING OIL PUMP<br>C1133(M)-J7033(M) |
|      | V836855300  | 1   | LUBRICATING OIL PUMP<br>J7034-(M)         |
| 10   | V504861000  | 1   | NUT                                       |
| 11   | V836122910  | 1   | WASHER                                    |
| 12   | V836338667  | 1   | GEAR<br>C1133-(M)                         |
| 13   | V836322237  | 1   | HOUSING<br>-J7033(M)                      |
|      | V836338186  | 1   | FRAME<br>J7034-(M)                        |
| 14   | V836322909  | 1   | BUSHING                                   |
| 15   | V836322906  | 1   | OIL PUMP SHAFT                            |
| 17   | V836852601  | 1   | OIL PUMP SHAFT<br>C1133(M)-J7033(M)       |
|      | V836338182  | 1   | OIL PUMP SHAFT<br>J7034-(M)               |
| 18   | V836322908  | 1   | GEAR<br>-J7033(M)                         |
|      | V836338180  | 1   | GEAR,OIL PUMP<br>J7034-(M)                |
| 19   | V836322909  | 2   | BUSHING                                   |
| 20   | V836119796  | 1   | GASKET<br>S2                              |
|      | V836338188  | 1   | GASKET<br>-J7033(M)                       |
| 21   | V836322238  | 1   | COVER<br>S2                               |
|      | V836855297  | 1   | COVER<br>J7034-(M)                        |

| Item | Part Number | Qty | Description<br>Comments            |
|------|-------------|-----|------------------------------------|
| 22   | V836322909  | 1   | BUSHING                            |
| 23   | V528801380  | 4   | HEX CAP SCREW                      |
| 24   | V836007871  | 2   | SHIM                               |
| 25   | V581805050  | 2   | HEX SOCKET SCREW                   |
| 26   | V836008449  | 2   | GASKET<br>S2                       |
| 27   | V581804600  | 2   | HEX SOCKET SCREW                   |
| 28   | V836846445  | 1   | OIL PIPE<br>-J7033(M)              |
|      | V836866569  | 1   | OIL PIPE<br>J7034-(M)              |
| 29   | V836122282  | 1   | GASKET<br>-J7033(M)<br>S2          |
|      | V836338201  | 1   | GASKET<br>S2<br>J7034-(M)          |
| 30   | V581804620  | 2   | HEX SOCKET SCREW                   |
| 31   | V836336301  | 1   | PIPE<br>-J7033(M)                  |
|      | V836859673  | 1   | OIL PUMP SUCTION PIPE<br>J7034-(M) |
| 32   | V528801362  | 1   | HEX CAP SCREW                      |
| 33   | V529901930  | 6   | HEX CAP SCREW<br>-G11344(M)        |
| 34   | V581706350  | 4   | HEX SOCKET SCREW                   |
| 35   | V581705130  | 20  | HEX SOCKET SCREW<br>G11345-(M)     |
| 36   | V836866563  | 1   | ADAPTER FLANGE                     |
| 37   | V614702230  | 1   | O-RING                             |
| 38   | V581804680  | 2   | HEX SOCKET SCREW                   |

8050E TRACTOR (MEGA SERIES)  
 SPIMG-006-21-54





| Item | Part Number | Qty | Description<br>Comments               | Technical Specification      |
|------|-------------|-----|---------------------------------------|------------------------------|
|      | V33094100   | 1   | AIR FILTER                            |                              |
|      | V33707410   | 1   | AIR FILTER                            | D=300                        |
|      | V33094110   | 1   | AIR FILTER                            | D=300                        |
| 1    | NS          | 1   | NON-SERVICEABLE PART<br>HOUSING       |                              |
| 57   | V33572300   | 1   | GASKET                                | L=960                        |
| 58   | VJB8905     | 1   | LOCKNUT                               | M10 SFS_EN_ISO_10511         |
| 59   | V35315600   | 1   | NUT                                   |                              |
| 2    | VJC1610     | 1   | BLADE NUT                             | M10 DIN315 G5 ZNE            |
| 3    | V836862574  | 1   | SECONDARY AIR FILTER ELEMENT          |                              |
| 4    | V836862573  | 1   | PRIMARY AIR FILTER ELEMENT            |                              |
| 5    | VGP3936     | 1   | HOSE CLIP                             | D=138 SMS2298                |
| 6    | V32940200   | 2   | CURVED RUBBER                         |                              |
| 8    | V33346900   | 1   | CURVED RUBBER                         |                              |
| 9    | VGP3936     | 1   | HOSE CLIP                             | D=138 SMS2298                |
| 10   | V33046000   | 1   | SEALING RUBBER                        |                              |
| 11   | V32940300   | 1   | TUBE                                  | L=1040                       |
| 12   | VGP3919     | 2   | HOSE CLIP                             | D=26-38 SMS2298              |
| 13   | V32938700   | 1   | HOSE                                  | L=800                        |
| 14   | V32982400   | 1   | CARRIER                               |                              |
| 15   | VHA6323     | 1   | SCREW                                 | M8 X 20 CL8.8                |
| 16   | VJD0408     | 1   | WASHER                                | M8                           |
| 17   | VJB8904     | 1   | NUT                                   | M8                           |
| 18   | VGP3935     | 2   | HOSE CLIP                             | D=112 SMS2298                |
| 19   | VHA9235     | 1   | SCREW                                 | M10 X 20 SFS_EN_ISO_4017 8.8 |
| 20   | VJD0410     | 1   | WASHER                                | 10.5 X 2 SFS-EN_ISO_7089     |
| 21   | VJB8905     | 1   | LOCKNUT                               | M10 SFS_EN_ISO_10511         |
| 22   | V32968100   | 1   | BAIL                                  |                              |
| 23   | VHA6323     | 2   | SCREW                                 | M8 X 20 CL8.8                |
| 24   | VJD0408     | 1   | WASHER                                | M8                           |
| 25   | V30555800   | 1   | PIPE SUPPORT                          | D=23.8 DIN 3016              |
| 26   | VJB8904     | 2   | NUT                                   | M8                           |
| 27   | VHA6323     | 2   | SCREW                                 | M8 X 20 CL8.8                |
| 28   | VJD0408     | 2   | WASHER                                | M8                           |
| 29   | VJB8904     | 2   | NUT                                   | M8                           |
| 30   | VJD0410     | 2   | WASHER                                | 10.5 X 2 SFS-EN_ISO_7089     |
| 31   | VJB8905     | 2   | LOCKNUT                               | M10 SFS_EN_ISO_10511         |
| 37   | V725260     | 1   | INDICATOR                             | 5 KPA                        |
|      | V33389600   | 1   | SENSOR                                | 6.5 KPA                      |
| 38   | V33052610   | 1   | GASKET                                |                              |
| 39   | V32948900   | 1   | CARRIER                               |                              |
|      | V33574800   | 1   | CARRIER<br>PUSH BUTTON                |                              |
|      | V33699600   | 1   | CARRIER<br>PUSH BUTTON<br>INTERCOOLER |                              |
| 40   | V33167900   | 1   | CARRIER                               |                              |
| 41   | VJD0406     | 6   | WASHER                                | 6.4 X 1.6 SFS-EN_ISO_7089    |
| 42   | VJB8903     | 3   | LOCKNUT                               | M6 SFS_EN_ISO_7042           |
| 43   | VGP3934     | 1   | HOSE CLIP                             | D=85 SMS2298                 |
|      | V33042610   |     | COVER<br>ASSEMBLY                     |                              |
| 46   | V33051700   | 1   | COVER                                 |                              |
| 47   | V33045910   | 1   | BOTTOM                                |                              |
| 48   | VHD9024     | 3   | SCREW                                 | M6 X 16 SFS_EN_ISO_7045 4.8  |

Thank you so much for reading.  
Please click the “Buy Now!”  
button below to download the  
complete manual.



After you pay.

You can download the most  
perfect and complete manual in  
the world immediately.

Our support email:

[ebooklibonline@outlook.com](mailto:ebooklibonline@outlook.com)