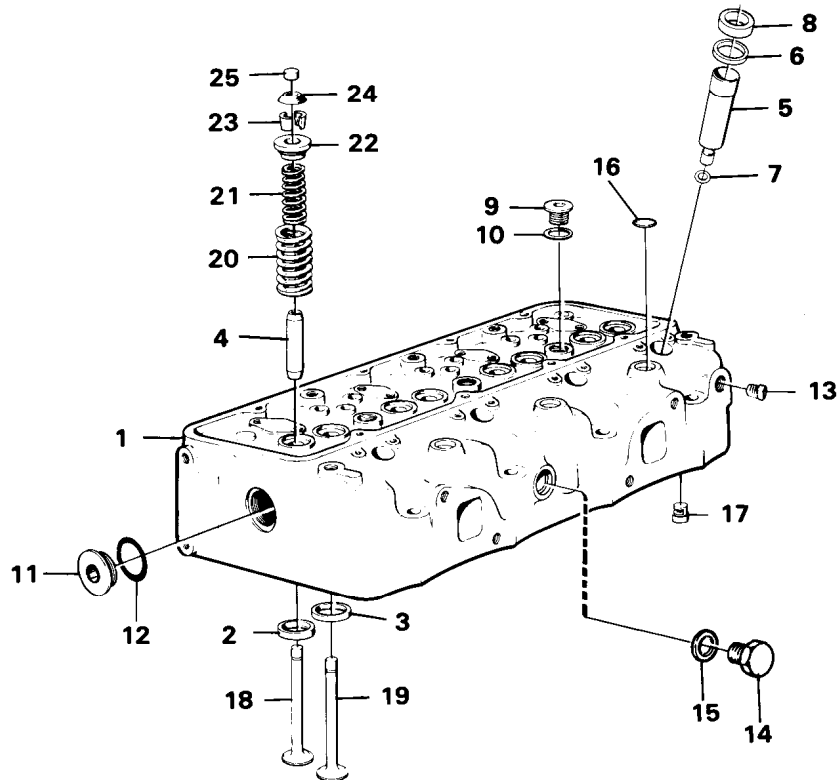
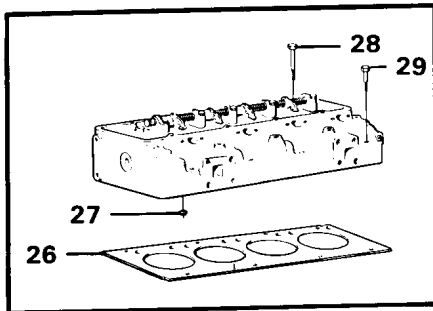


Date: 2014/1/21	Image id: 17716	Catalogue: 97315	Model: 4300B
Brand: Volvo BM	Serial: 5001-9999	Group/Section: 21/50	Title: Cylinder head

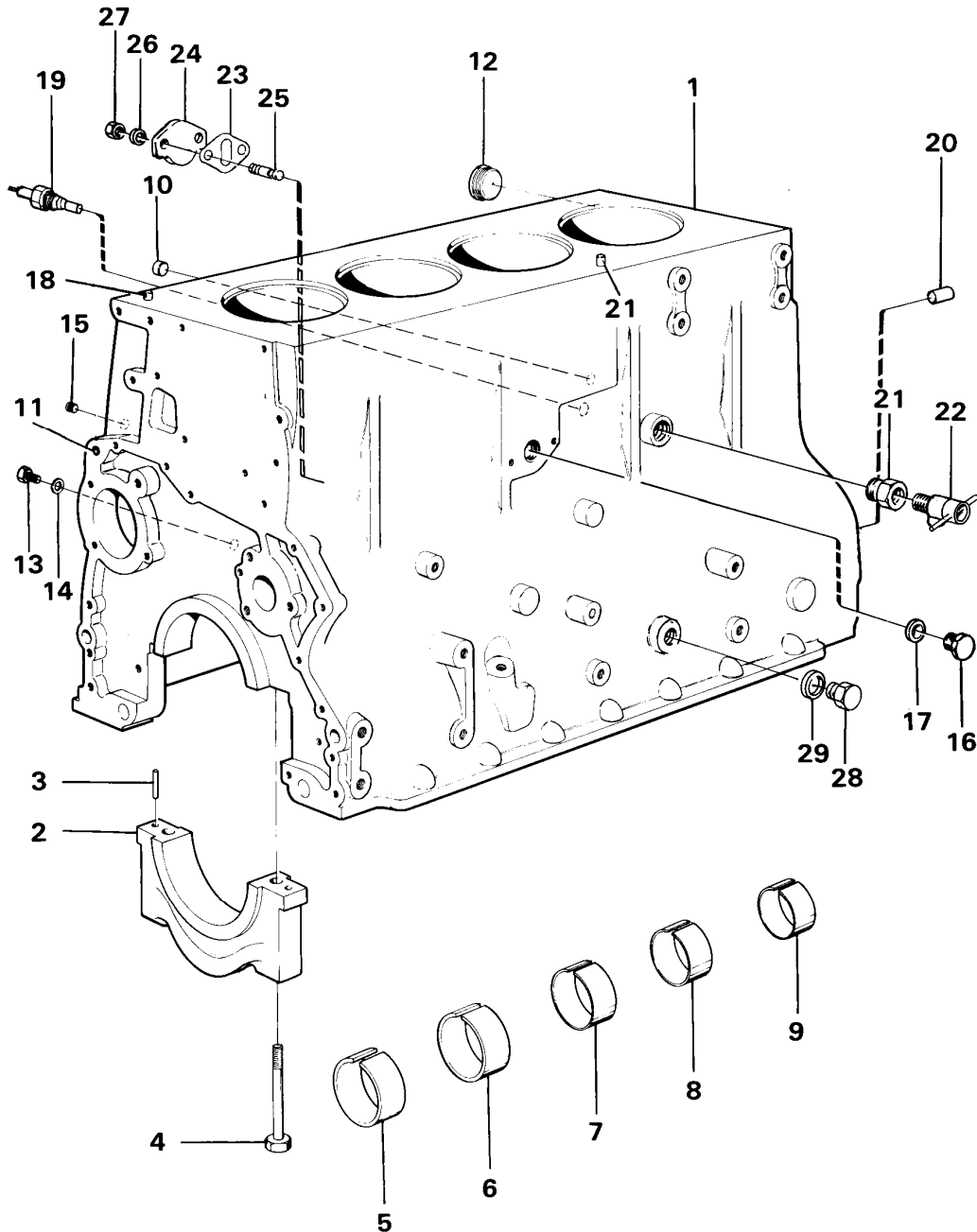


Section option	Kit	Option description
VOE16314		

Pos	Part	Q1	Q2	Q3	Q4	Q5	PS	Kit	Description	Option(s)	Remark
	VOE4804708	1							Cylinder head		
		1					NS		•Cylinder head		
1		1					NS		••Cylinder head		
2	VOE466373	4					SS		••Valve seat		STD
	VOE421316	4							••Valve seat		0,20" O SZ
3	VOE4804548	4							••Valve seat		STD
	VOE466307	4					OP		••Valve seat		0,20" O SZ
4	VOE466386	8							••Valve guide		
5	VOE477928	4							••Socket		(VOE466403)
6	VOE466405	4						K	••Sealing ring		
7	VOE466922	4						K	••Sealing ring		
8	VOE466420	4							••Ring		
9	VOE466230	3							••Plug		
10	VOE420166	3						K	••Gasket		
11	VOE785765	1							••Plug		
12	VOE785766	1						K	••Gasket		
13	VOE952358	1					OP		••Plug		
14	VOE467365	1							••Plug		(VOE467714)
15	VOE469327	1							••Gasket		(VOE468461)
16	VOE477026	3							••Expansion plug		(VOE192426)
17	VOE465420	4							••Nozzle		
18	VOE466379	4							•Valve		
19	VOE421680	4							•Exhaust valve		
20	VOE466384	8							•Valve spring		
21	VOE466383	8							•Valve spring		
22	VOE466382	8							•Washer		
23	VOE468305	16							•Valve Collet		
24	VOE469456	8							•Protecting ring		
25	VOE478074	8							•Valve cap		
	VOE11990104	1							Gasket kit		
26	VOE11030027	1							•Gasket		
27	VOE422413	1							•Sealing ring		
28	VOE787459	16							Screw		
29	VOE787458	4							Screw		
	VOE11990089	1					SS		Overhaul kit		See footnote 2)

2) Set of gasket for decarbonizing the engine.

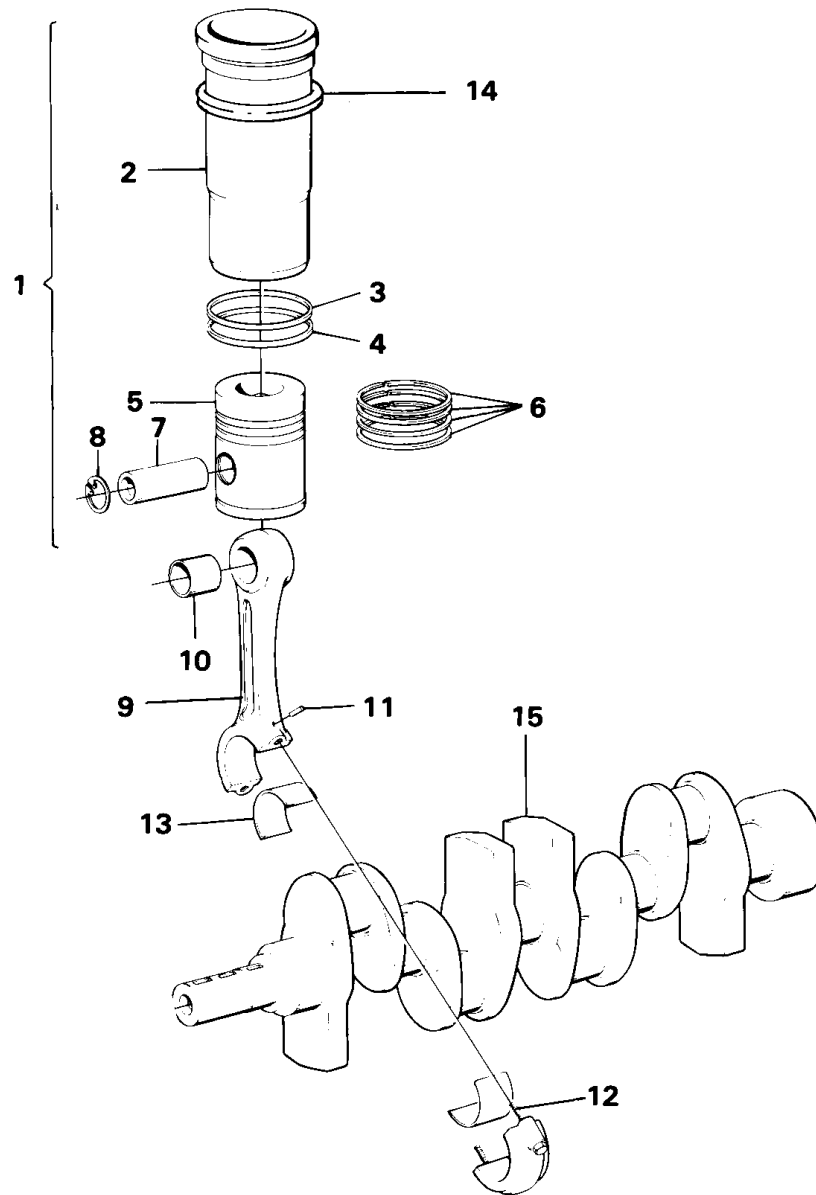
Date: 2014/1/21	Image id: 17717	Catalogue: 97315	Model: 4300B
Brand: Volvo BM	Serial: 5001-9999	Group/Section: 21/100	Title: Cylinder block



Pos	Part	Q1	Q2	Q3	Q4	Q5	PS	Kit	Description	Option(s)	Remark
1	VOE4804591	1						OP	Cylinder block		

2		5					NS		•Bearing carrier		
3	VOE950564	1							•Pin		
4	VOE421153	10					OP		•Screw		
5	VOE785515	1							•Bushing		
6	VOE11000014	1							•Bushing		(VOE422079)
7	VOE422080	1							•Bushing		(VOE7422080)
8	VOE422081	1							•Bushing		
9	VOE785443	1							•Bushing		
10	VOE422369	5							•Plug		
11	VOE955082	3							Cap plug		
12	VOE7070792	3							Cap plug		
13	VOE7016318	1							Plug		
14	VOE957173	1							Gasket		
15	VOE13961130	1					OP		Plug		(VOE961130)
16	VOE4804641	1							Plug		
17	VOE957193	1							Gasket		
18	VOE785800	2							Pin		
19	VOE1606877	1							Switch		(VOE1324750)
											OLJETRYCK/OIL PRESSURE
20	VOE191171	2							Pin		(VOE7191171)
21	VOE479954	1							Nipple		(VOE7190130)
22	VOE87502	1							Drain Cock		(VOE7087502)
23	VOE11030028	1							Gasket		(VOE785868)
24	VOE7363575	1							Plate		
25	VOE953235	2					OP		Stud		
26	VOE13941907	2							Washer		(VOE941907)
27	VOE955826	2							Hexagon nut		
28	VOE961895	1							Plug		
29	VOE13947627	1							Plane gasket		(VOE947627)

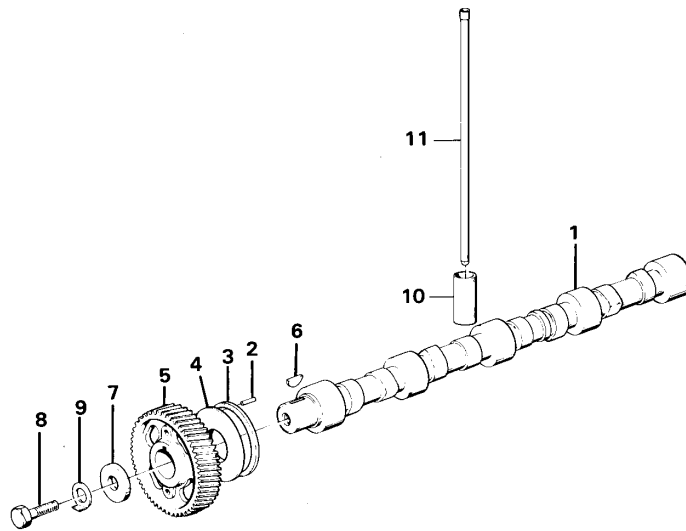
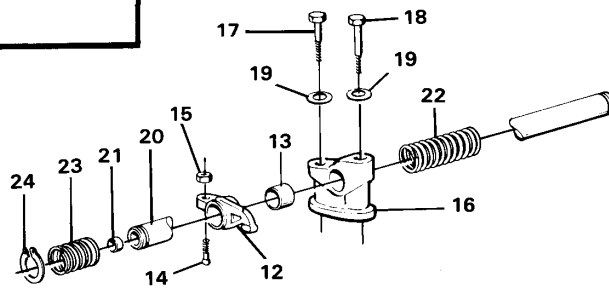
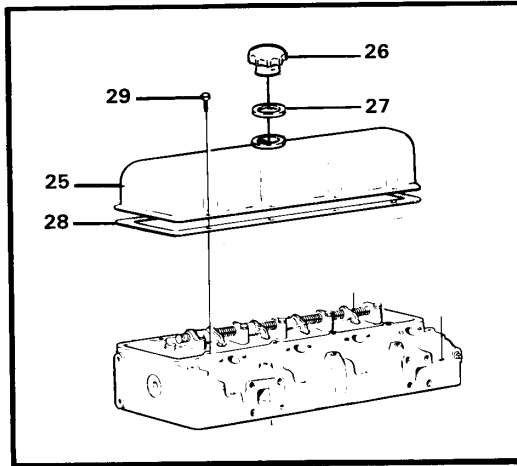
Date: 2014/1/21	Image id: 17718	Catalogue: 97315	Model: 4300B
Brand: Volvo BM	Serial: 5001-9999	Group/Section: 21/150	Title: Cylinder liner, piston and connecting rod



Pos	Part	Q1	Q2	Q3	Q4	Q5	PS	Kit	Description	Option(s)	Remark
1	VOE6630596	4					SS		Cylinder liner kit		ERS.AV 11990057

2		4					NS		•Cylinder liner		
3	VOE4804532	4							•Sealing ring		(VOE4804246)ÖVRE / UPPER
4	VOE4804532	4							•Sealing ring		NEDRE / LOWER
5		4					NS		•Piston		
6	VOE6630616	4							•Piston ring kit		
	VOE787262	4							••Oil scraper ring		
7		4					NS		•Piston pin		
8	VOE914524	8							•Retaining ring		
9	VOE4804450	4					SS		Connecting rod		
		4					NS		•Cap		
10	VOE11030066	4							•Bearing bushing		(VOE4804873)
11	VOE7021660	8					OP		•Pin		
12	VOE420126	8							•Screw		
13	VOE270093	4							Bearing		
	VOE270094	4							Bearing		0,010" UD
	VOE270095	4							Bearing		0,020" UD
	VOE270096	4							Bearing		0,030" UD
	VOE270097	4							Bearing		0,040" UD
	VOE270098	4					OP		Bearing		0,050" UD
14	VOE4804380	REQ							Shim		THICK=0,12
	VOE4804381	REQ							Shim		THICK=0,20
	VOE4804382	REQ							Shim		THICK=0,30
	VOE4804383	REQ							Shim		THICK=0,50
15		1							Crankshaft		See ref 21/300

Date: 2014/1/21	Image id: 17719	Catalogue: 97315	Model: 4300B
Brand: Volvo BM	Serial: 5001-9999	Group/Section: 21/200	Title: Valve mechanism

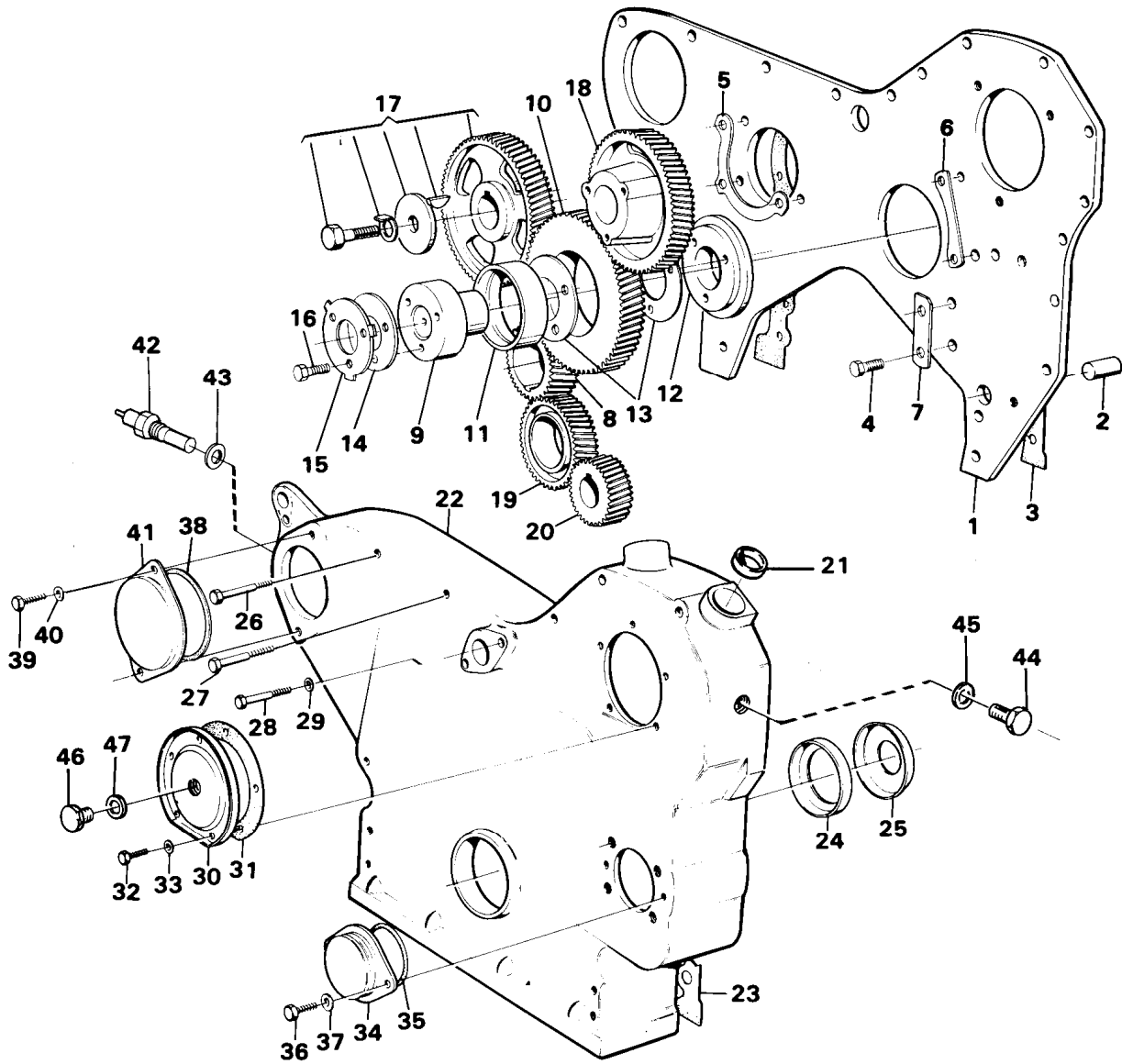


Pos	Part	Q1	Q2	Q3	Q4	Q5	PS	Kit	Description	Option(s)	Remark
1	VOE4804452	1							Camshaft		

2	VOE907172	1					OP		Grooved pin		
3	VOE785591	1							Sealing ring		
4	VOE11030043	1							Thrust washer		(VOE785660)
5	VOE785789	1							Camshaft gear		
6	VOE910122	1							Woodruff key		
7	VOE785584	1							Washer		
8	VOE955581	1							Hexagon screw		
9	VOE785589	1							Lock washer		
10	VOE421067	8							Tappet		(VOE785869)
11	VOE785560	8							Push rod		
12	VOE7420129	4							Rocker arm		
	VOE420132	4							Rocker arm		(VOE7420132)
13	VOE420125	8							•Bushing		(VOE7420125)
14	VOE422993	8							•Bolt		(VOE7423058)
15	VOE940175	8							•Nut		
16	VOE785558	4							Bearing Bracket		
17	VOE955539	4							Hexagon screw		
18	VOE955540	4							Hexagon screw		
19	VOE13942336	8							Spring washer		(VOE942336)
20	VOE785425	1							Rocker arm shaft		
21	VOE955082	2							•Cap plug		
22	VOE411140	2					OP		Spring		(VOE7411140)
23	VOE7301466	3					OP		Spring		
24	VOE914456	2							Retaining ring		
25	VOE785415	1							Valve cover		
26	VOE421753	1							Filler cap		
27	VOE1275379	1							Gasket		(VOE940096)
28	VOE785416	1					K		Gasket		
29	VOE950046	8							Cross recessed screw		
	VOE11990091	1					SS		De-carbonizing kit		(VOE6630712)See footnote 2)

2) Set of gasket for decarbonizing the engine.

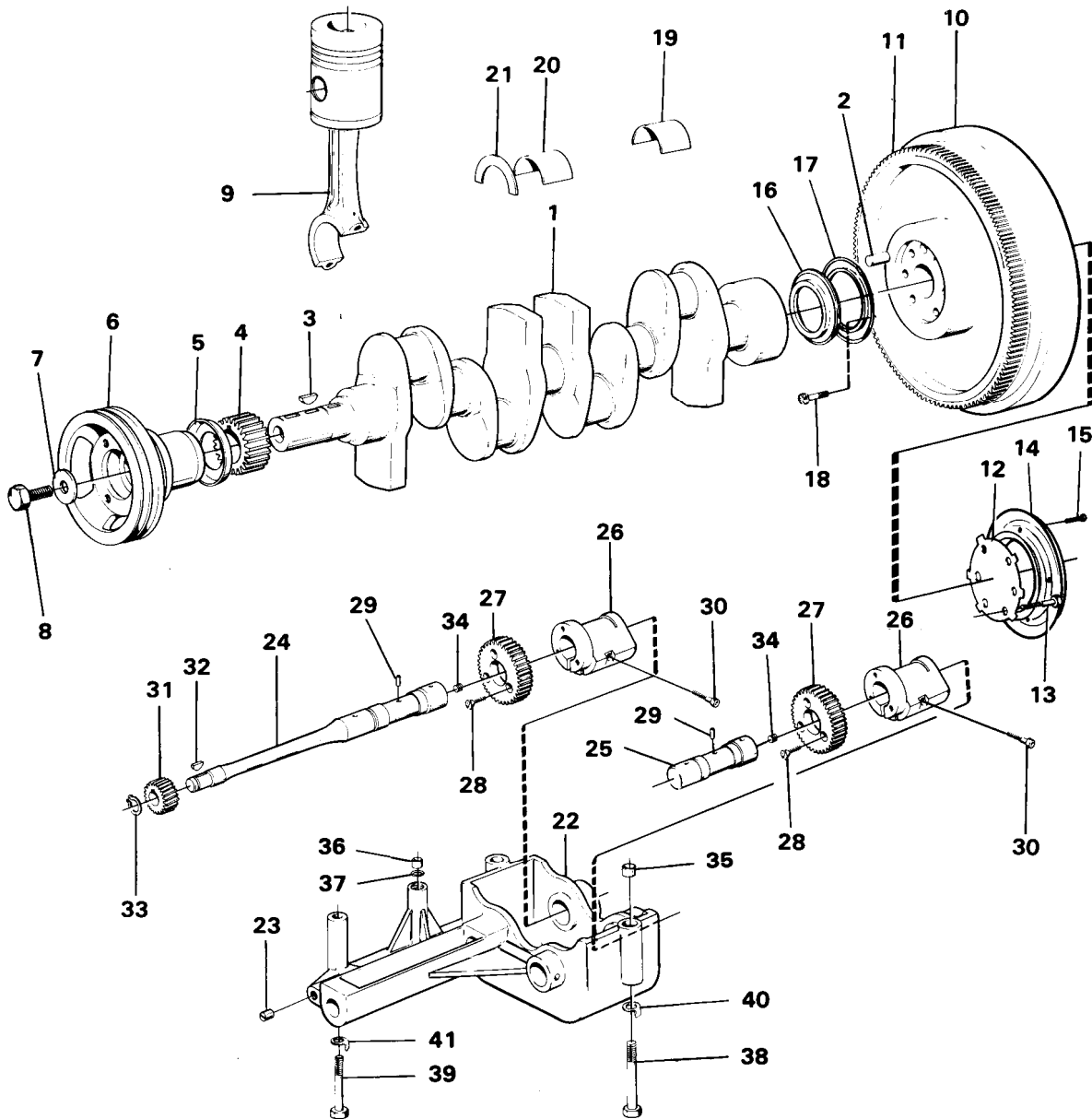
Date: 2014/1/21	Image id: 15101B	Catalogue: 97315	Model: 4300B
Brand: Volvo BM	Serial: 5001-9999	Group/Section: 21/250	Title: Timing gear casing and gears



Pos	Part	Q1	Q2	Q3	Q4	Q5	PS	Kit	Description	Option(s)	Remark
1	VOE4804585	1					OP		Xmsn Plate		

2	VOE191171	2						Pin	(VOE7191171)
3	VOE1161277	1						Sealant	(VOE785746)
4	VOE955524	7						Hexagon screw	
5	VOE785796	1						Striker plate	
6	VOE785797	1						Striker plate	
7	VOE11000062	1						Striker plate	(VOE785872)
8		1						Crankshaft gear	See ref 21/300
9	VOE785723	1					OP	Pin	
10	VOE785767	1					OP	Idler gear	
11		1					NS	•Bushing	
12	VOE785768	1						Spacer plate	
13	VOE787294	2						Thrust washer	
14	VOE787377	1						Bearing shield	
15	VOE785590	1					OP	Striker plate	
16	VOE955556	3						Hexagon screw	
17		1						Camshaft gear	See ref 21/200
18		1						Gear	SEE GROUP 23
19		1						Gear	SEE GROUP 22
20		1						Gear	SEE GROUP 22
21	VOE13946780	1						Cap plug	(VOE946780)
22	VOE4804736	1					OP	Timing gear cover	
23	VOE1161277	1						Sealant	(VOE787156)
24	VOE11713159	1						Sealing ring	(VOE4804489)
25	VOE785517	1						Ring	
26	VOE955531	8						Hexagon screw	
27	VOE926083	2					OP	Screw	
28	VOE13940135	8						Screw	(VOE940135)
29	VOE13941907	18						Washer	(VOE941907)
30		1					NS	Cover	
31	VOE785594	1						Gasket	
32	VOE940100	5						Hexagon screw	
33	VOE13941906	5						Washer	(VOE941906)
34	VOE785859	1					OP	Cap	
35	VOE926132	1						O-ring	
36	VOE13940133	2						Screw	(VOE940133)
37	VOE13942336	2						Spring washer	(VOE942336)
38	VOE420213	1						Sealing ring	(VOE7420213)
39	VOE955535	2						Hexagon screw	
40	VOE13942336	2						Spring washer	(VOE942336)
41	VOE7420183	1						Cover	
42	VOE4780941	1						Induction sensor	
43	VOE13947624	1						Plane gasket	(VOE947624)
44	VOE962632	1					OP	Shim	
45	VOE13947624	1						Plane gasket	(VOE947624)
46	VOE7301185	1					OP	Plug	
47	VOE13947627	1						Plane gasket	(VOE947627)

Date: 2014/1/21	Image id: 17721	Catalogue: 97315	Model: 4300B
Brand: Volvo BM	Serial: 5001-9999	Group/Section: 21/300	Title: Crankshaft - balancing

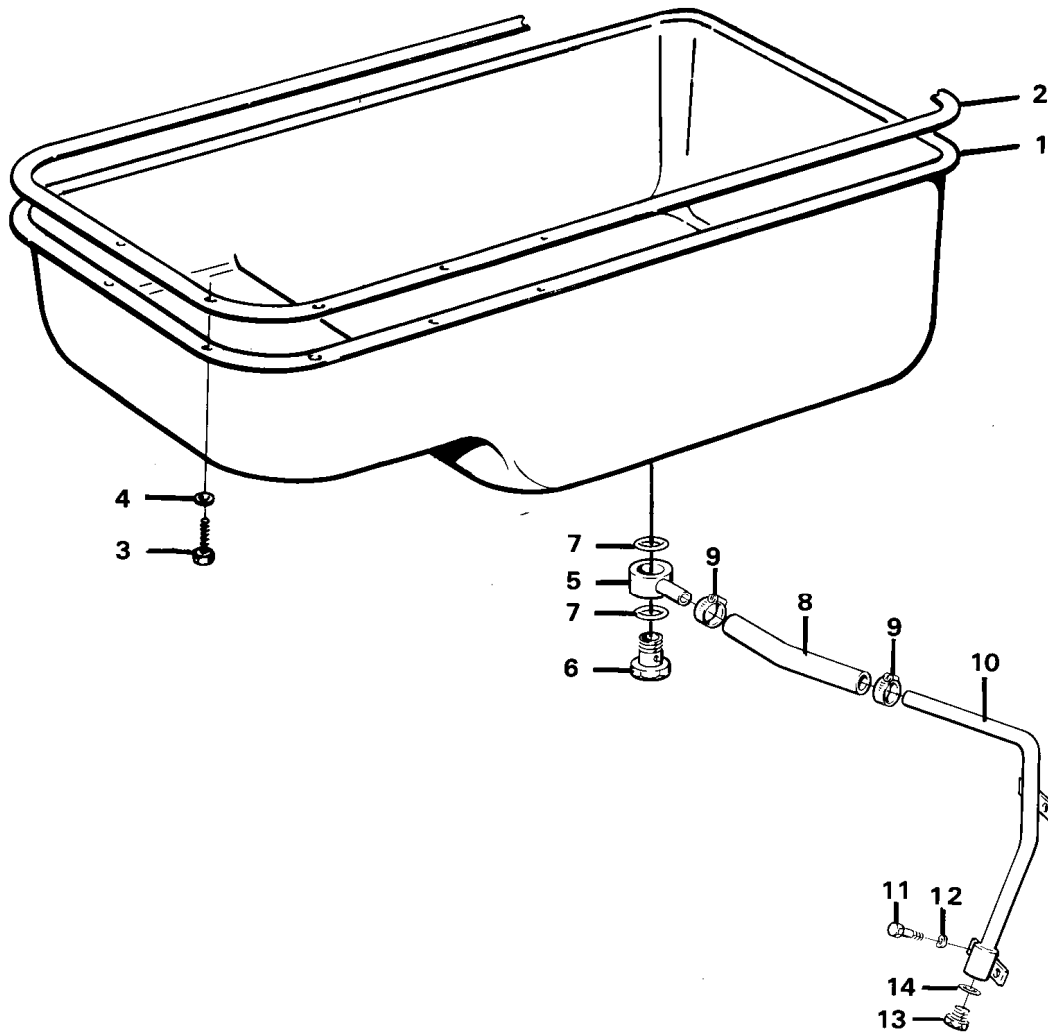


Pos	Part	Q1	Q2	Q3	Q4	Q5	PS	Kit	Description	Option(s)	Remark
1	VOE4804294	1							Crankshaft		

2	VOE950677	1							•Pin		
3	VOE910127	3							Woodruff key		
4	VOE787299	1							Gear		
5	VOE785540	1							Oil deflector ring		
6	VOE787614	1							Pulley		
7	VOE785542	1							Washer		
8	VOE787163	1						OP	Screw		
9		1							Cylinder liner kit		See ref 21/150
10	VOE11030041	1						OP	Flywheel		(VOE4804819)
11	VOE4804931	1							Gear ring		(VOE785520)
12	VOE785483	1							Lock washer		MO - 65124
	VOE467773	6							Washer		MO 65125 -
13	VOE955724	6							Hexagon screw		MO - 65124
	VOE13944710	6							Screw		(VOE944710)MO 65125 -
14	VOE785820	1							Ring		
15	VOE905654	4							Drive screw		
16	VOE477119	1							Crankshaft seal		(VOE821755)
17	VOE787326	1							Oil deflector ring		
18	VOE905654	4							Drive screw		
19	VOE270432	4							Main bearing kit		STD
	VOE270433	4							Main bearing kit		0,010" UD
	VOE270434	4							Main bearing kit		0,020" UD
	VOE270435	4							Main bearing kit		0,030" UD
	VOE270436	4							Main bearing kit		0,040" UD
	VOE270437	4							Main bearing kit		0,050" UD
20	VOE754589	1							Bearing shell kit		STD
	VOE754590	1							Bearing		0,010" UD
	VOE754591	1							Bearing		0,020" UD
	VOE754592	1							Bearing		0,030" UD
	VOE754593	1						OP	Bearing		0,040" UD
	VOE754594	1						OP	Bearing		0,050" UD
21	VOE276754	1							Thrust washer		(VOE276754)STD
	VOE276755	1							Thrust washer		(VOE276755)0,1 MM ÖD
	VOE276756	1							Thrust washer		(VOE276756)0,2 MM ÖD
	VOE276757	1							Thrust washer		(VOE276757)0,3 MM ÖD
	VOE4804471	1						SS	Vibration damper		
22	VOE4804465	1						SS	•Bracket		
23	VOE7016324	1							•Plug		
24	VOE785439	1							•Shaft		
25	VOE785440	1							•Shaft		
26	VOE4804464	2						OP	•Counterweight		
27	VOE787212	2						OP	•Gear		
28	VOE956553	2						OP	•Screw		
	VOE956556	4						OP	•Screw		

29	VOE951950	2							•Spring pin		
30	VOE956588	2							•Screw		
31	VOE787298	1							•Gear		
32	VOE910115	1							•Woodruff key		
33	VOE914454	1							•Retaining ring		
34	VOE7016324	2							•Plug		
35	VOE785649	1							Sleeve		
36	VOE785438	1							Tube		
37	VOE925055	1							O-ring		(VOE926032)
38	VOE7191812	2							Screw		
39	VOE955556	1							Hexagon screw		
40	VOE921231	2							Lock washer		
41	VOE921221	1							Lock washer		

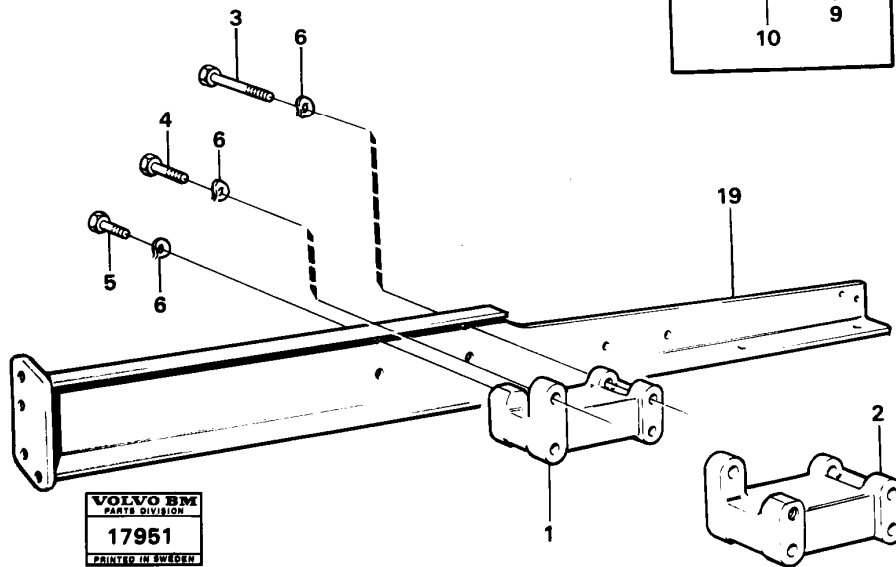
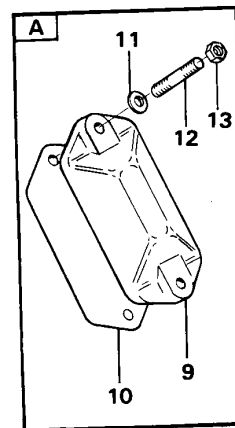
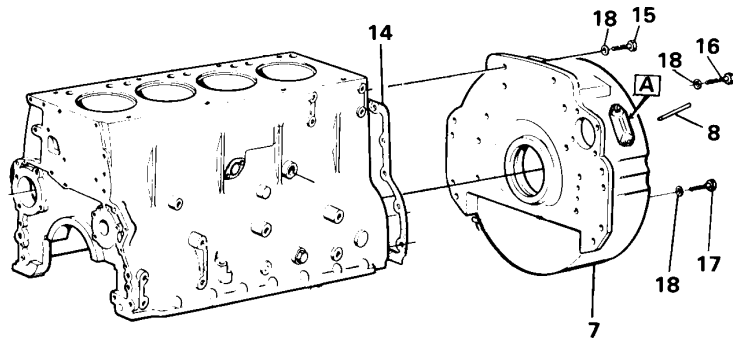
Date: 2014/1/21	Image id: 17950	Catalogue: 97315	Model: 4300B
Brand: Volvo BM	Serial: 5001-9999	Group/Section: 21/350	Title: Oil sump



Pos	Part	Q1	Q2	Q3	Q4	Q5	PS	Kit	Description	Option(s)	Remark
1	VOE787467	1					OP		Oil pan		
2	VOE11030107	1							Gasket		(VOE785417)
3	VOE940186	26							Hexagon screw		
4	VOE13941907	26							Washer		(VOE941907)
5	VOE4761859	1							Oil draining pipe		
6	VOE4746672	1							Hollow screw		

7	VOE13955997	2						O-ring		(VOE955997)
8	VOE13961191	REQ						Hydraulic hose		(VOE961191)L=200
9	VOE13943472	2						Hose clamp		(VOE943472)
10	VOE4947096	1					OP	Drain tube		
11	VOE13955294	4						Screw		(VOE955294)
12	VOE13941907	4						Washer		(VOE941907)
13	VOE926370	1						Plug		
14	VOE958225	1						O-ring		

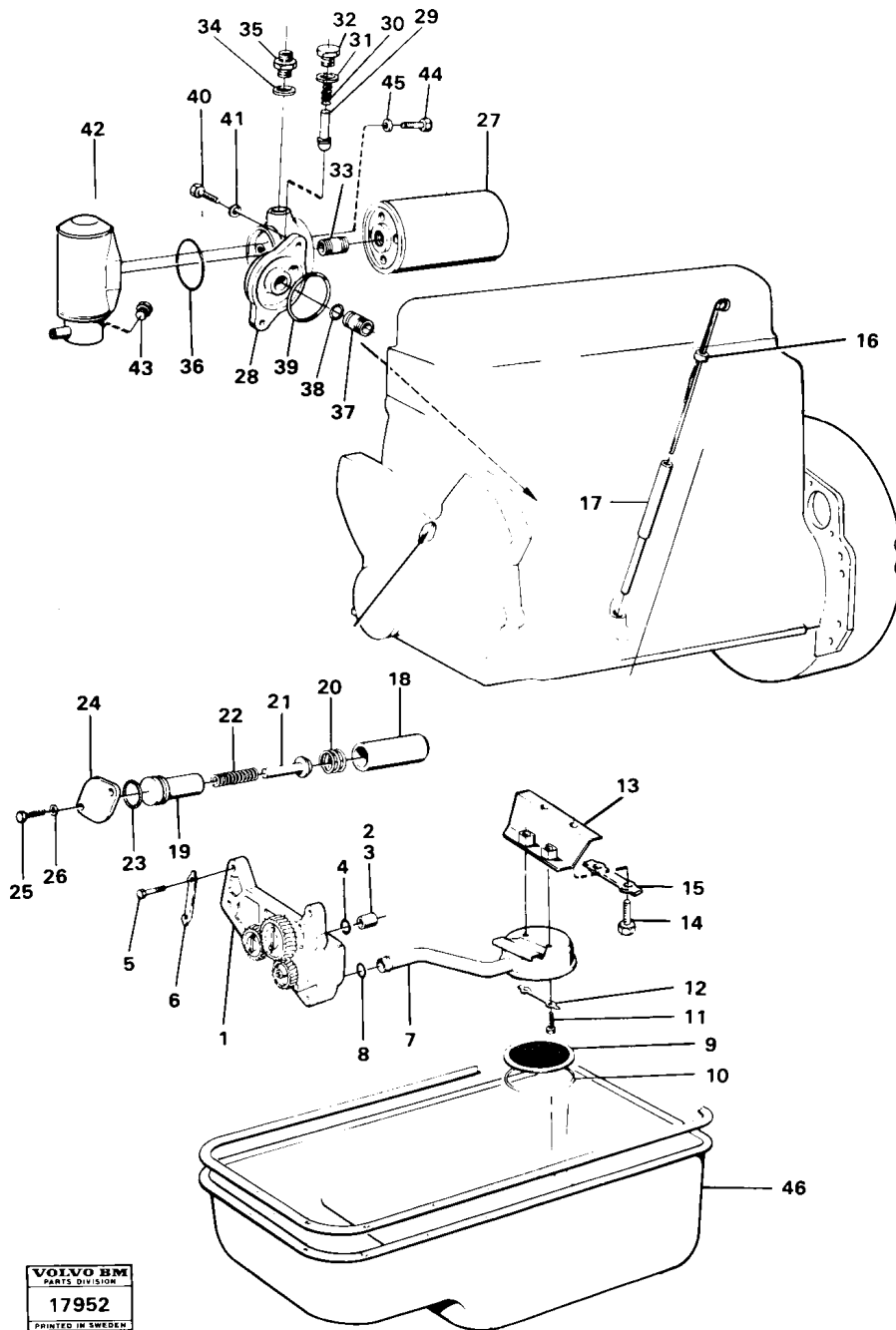
Date: 2014/1/21	Image id: 17951	Catalogue: 97315	Model: 4300B
Brand: Volvo BM	Serial: 5001-9999	Group/Section: 21/400	Title: Engine support and flywheel housing



Pos	Part	Q1	Q2	Q3	Q4	Q5	PS	Kit	Description	Option(s)	Remark
1	VOE751992	1					OP		Engine anchorage		V

2	VOE751991	1					OP		Engine anchorage		H
3	VOE926004	6					OP		Screw		
4	VOE955563	2							Hexagon screw		
5	VOE955561	2							Hexagon screw		
6	VOE940280	10							Spring washer		
7	VOE4804162	1					OP		Flywheel housing		
8	VOE4804159	1					OP		•Setting indicator		
	VOE739393	1							•Tube		
	VOE905654	2							•Drive screw		
9	VOE4772168	1							Cover		(VOE4804166)
10	VOE4804167	1							Gasket		
11	VOE955893	2							Washer		
12	VOE924054	2					OP		Stud		
13	VOE946035	2							Lock nut		
14	VOE1161277	1							Sealant		(VOE787198)
15	VOE955578	2					SS		Hexagon screw		
16	VOE955580	6							Hexagon screw		
17	VOE955583	2							Hexagon screw		
18	VOE941911	10							Spring washer		
19		2							Frame		SEE GROUP 71

Date: 2014/1/21	Image id: 17952	Catalogue: 97315	Model: 4300B
Brand: Volvo BM	Serial: 5001-9999	Group/Section: 22/50	Title: Lubricating oil system

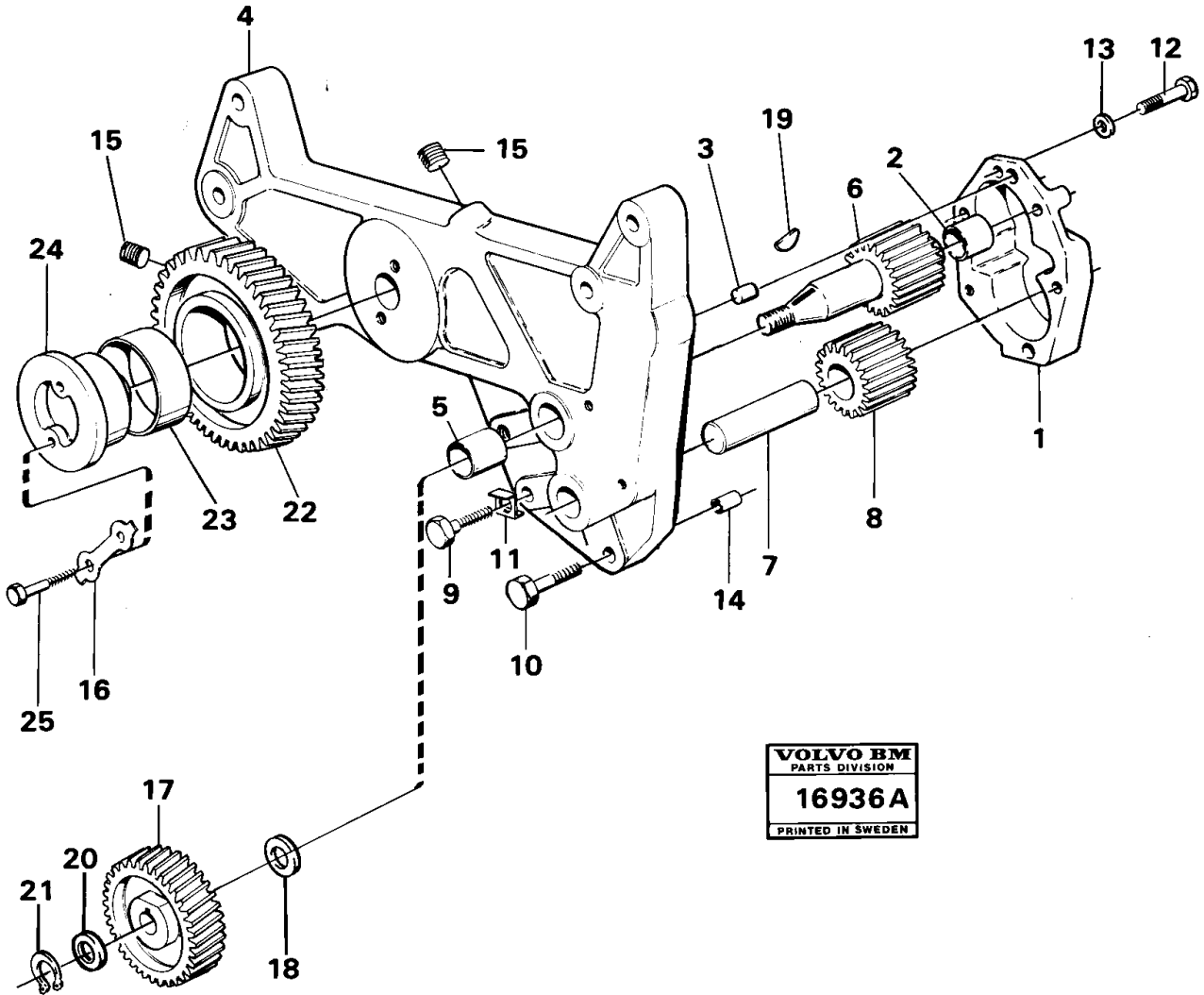


Pos	Part	Q1	Q2	Q3	Q4	Q5	PS	Kit	Description	Option(s)	Remark
1		1							Oil pump		See ref 22/100

2	VOE785577	1							Guide sleeve		
3	VOE785623	1					OP		Guide sleeve		
4	VOE955993	1							O-ring		
5	VOE940186	3							Hexagon screw		L=38
	VOE955526	1							Hexagon screw		L=51
6	VOE7015176	1							Lock washer		
	VOE7015260	1							Lock washer		
7	VOE787469	1					OP		Suction pipe		
8	VOE942089	1							O-ring		
9	VOE414621	1							Wire gauze		(VOE7414621)
10	VOE118125	1							Retaining ring		(VOE7118125)
11	VOE940113	2							Hexagon screw		
12	VOE7191268	1					OP		Lock washer		
13	VOE787476	1					OP		Bracket		
14	VOE940113	2							Hexagon screw		
15	VOE7191268	1					OP		Lock washer		
16	VOE787477	1					OP		Dipstick		
17	VOE785606	1							Tube		
18	VOE785792	1							Valve housing		
19	VOE787068	1							Housing		
20	VOE785794	1							Spring		
21	VOE421125	1							Valve		(VOE7421125)
22	VOE421126	1							Spring		(VOE7421126)
23	VOE925059	1							O-ring		
24	VOE787069	1							Thrust washer		
25	VOE955513	2							Hexagon screw		
26	VOE13941906	2							Washer		(VOE941906)
27	VOE4804406	1							Oil filter		
28	VOE4804521	1					OP		Bracket		
29	VOE471085	1							•Valve cone		
30	VOE4804755	1							•Compression spring		
31	VOE957185	1							•Gasket		
32	VOE466624	1							•Plug		
33	VOE4804518	1							•Nipple		
34	VOE957179	1							•Gasket		
35	VOE13963948	1							•Nipple		
36	VOE926039	1							O-ring		
37	VOE785816	1							Nipple		
38	VOE955976	1							O-ring		(VOE926033)
39	VOE926040	1							O-ring		
40	VOE955535	2							Hexagon screw		
41	VOE955950	2							Toothed washer		
42	VOE4804681	1							Oil cooler		
43	VOE479979	1							•Plug		(VOE191026)
44	VOE4804519	2							Screw		
45	VOE13940109	2							Lock washer		(VOE940109)

46		1						Oil sump		SEE GROUP 21
----	--	---	--	--	--	--	--	----------	--	--------------

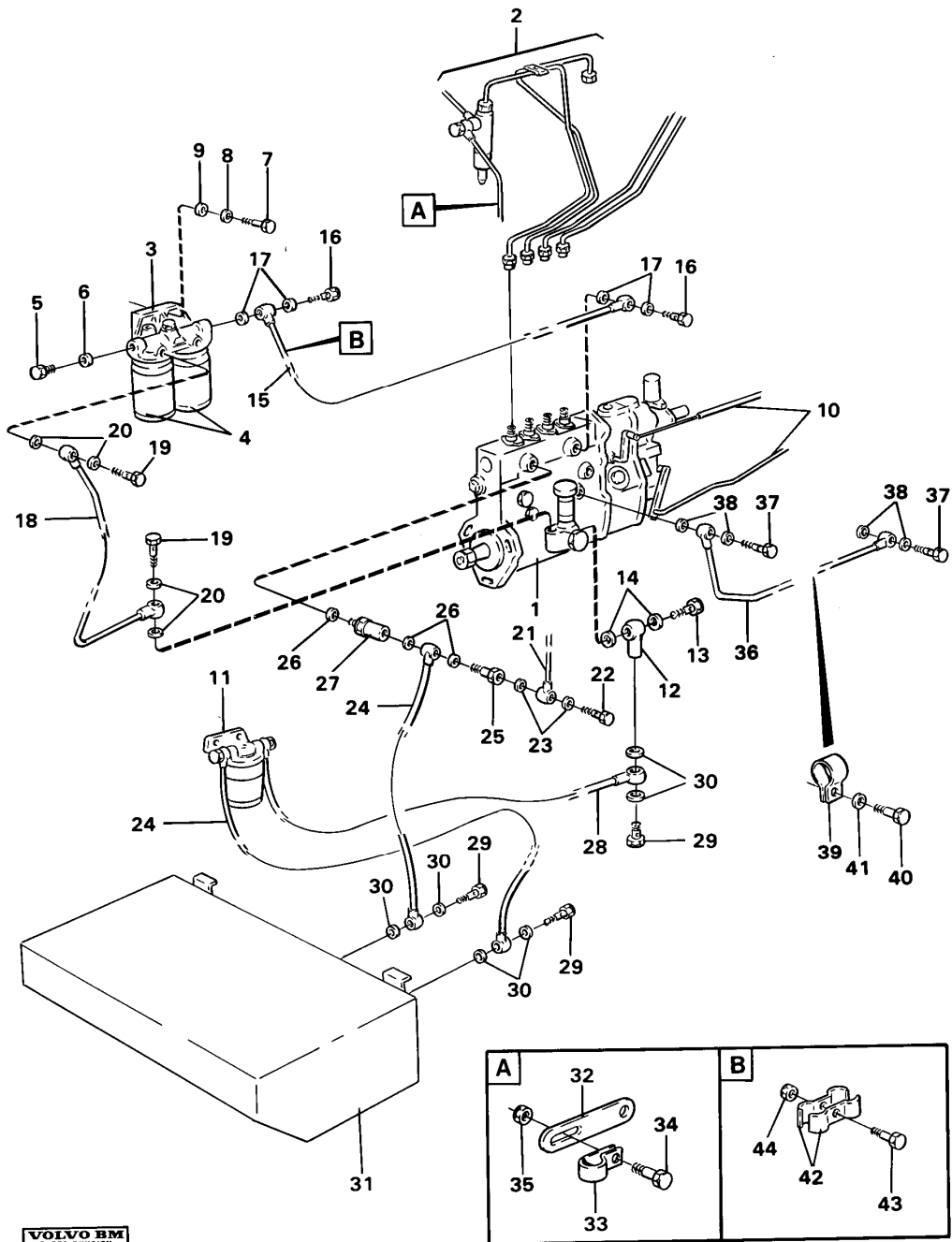
Date: 2014/1/21	Image id: 16936A	Catalogue: 97315	Model: 4300B
Brand: Volvo BM	Serial: 5001-9999	Group/Section: 22/100	Title: Oil pump



Pos	Part	Q1	Q2	Q3	Q4	Q5	PS	Kit	Description	Option(s)	Remark
	VOE4804522	1					SS		Oil Pump		
1	VOE4804196	1							•Oil pump housing		
2	VOE470234	2							••Bushing		(VOE940359)
3	VOE918145	1							•Pin		
4	VOE787598	1							•Bracket		
5	VOE470234	2							••Bushing		(VOE940359)
6	VOE4804199	1					SS		•Axle shaft		
7	VOE4804200	1					SS		•Shaft		
		1					NS		••Shaft		
8		1					NS		••Gear		
9	VOE955514	1							•Hexagon screw		

10	VOE955515	1							•Hexagon screw		
11	VOE921206	1							•Lock washer		
12	VOE955516	4							•Hexagon screw		
13	VOE13941906	4							•Washer		(VOE941906)
14	VOE787235	1							•Spring pin		
15	VOE191142	2							•Plug		(VOE7191142)
16	VOE7015024	1							•Lock washer		
17	VOE4804202	1							Drive Gear		
18	VOE424133	1							Thrust washer		
19	VOE910115	1							Woodruff key		
20	VOE926147	1							Support washer		
21	VOE914450	1							Retaining ring		
22	VOE787297	1							Idler gear		
23	VOE785775	1							•Bushing		
24	VOE785519	1							Pivot pin		
25	VOE940161	2							Hexagon screw		

Date: 2014/1/21	Image id: 17310A	Catalogue: 97315	Model: 4300B
Brand: Volvo BM	Serial: 5001-9999	Group/Section: 23/50	Title: Fuel system

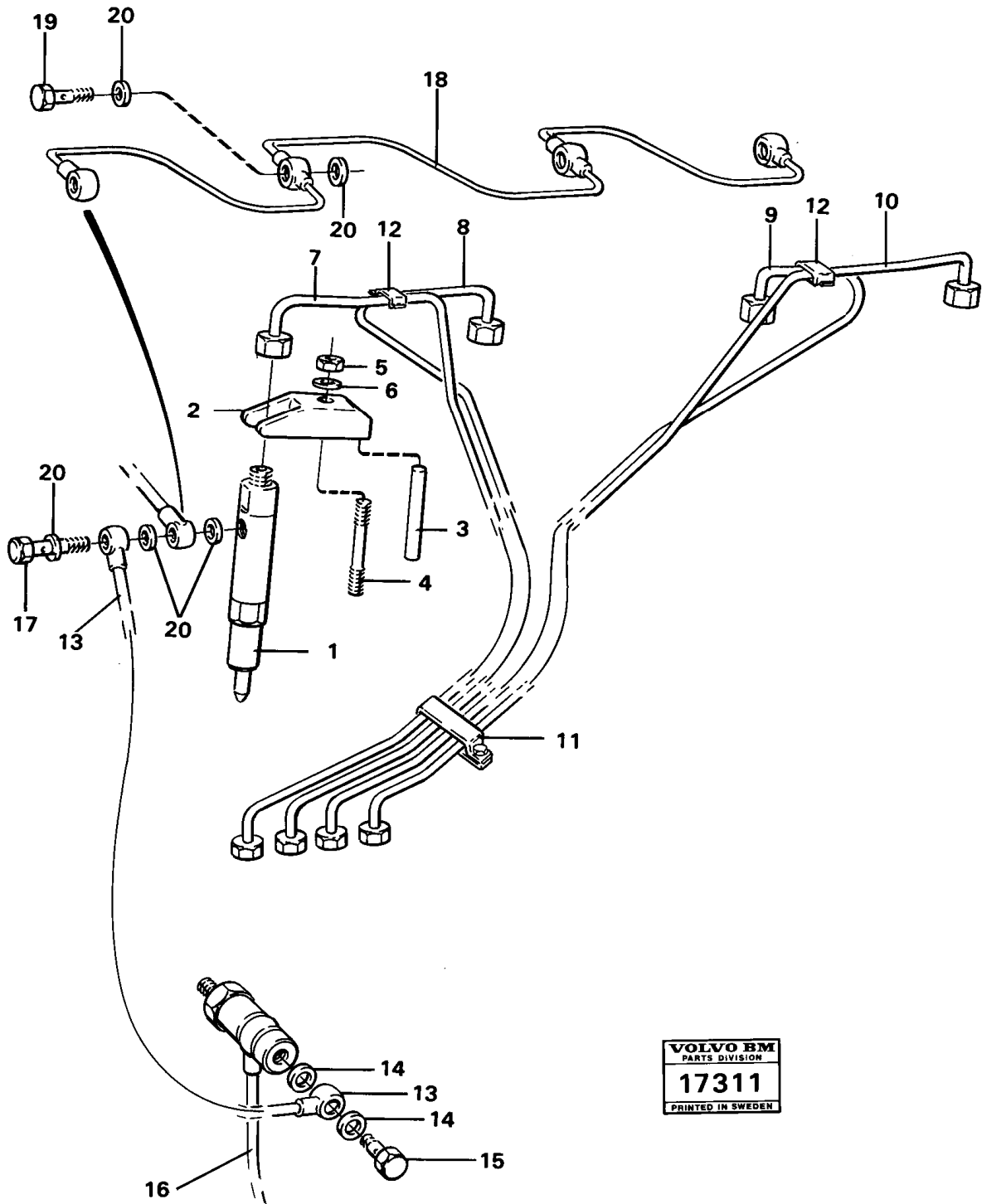


VOLVO BM
PARTS DIVISION
17310A
PRINTED IN SWEDEN

Pos	Part	Q1	Q2	Q3	Q4	Q5	PS	Kit	Description	Option(s)	Remark
1		1							Injection pump		See ref 23/250

2								Pipe, injector	See ref 23/100
3	VOE1676832	1					SS	Housing	See ref 23/525
4	VOE466987	2						Fuel filter	
5	VOE960630	3						Plug	
6	VOE13947621	3						Plane gasket	(VOE947621)
7	VOE13940162	2						Screw	(VOE940162)
8	VOE13942336	2						Spring washer	(VOE942336)
9	VOE13940097	2						Washer	(VOE940097)
10		1						Control	SEE GROUP 27
11	VOE4880463	1						Water separator	See ref 23/550
12		1					NS	Banjo nipple	
13	VOE7025167	1						Hollow screw	
14	VOE13947621	2						Plane gasket	(VOE947621)
15	VOE4804601	1						Fuel pipe	
16	VOE7025167	2						Hollow screw	
17	VOE13947621	4						Plane gasket	(VOE947621)
18	VOE4804599	1						Fuel pipe	
19	VOE7025167	2						Hollow screw	
20	VOE13947621	4						Plane gasket	(VOE947621)
21	VOE4804603	1						Fuel pipe	
22	VOE7074033	1						Hollow screw	
23	VOE947620	2						Gasket	
24	VOE4804704	2					OP	Fuel hose	
25	VOE7016496	1						Hollow screw	
26	VOE13947621	3						Plane gasket	(VOE947621)
27	VOE479775	1						Overflow valve	
28	VOE4804349	1						Fuel hose	
29	VOE7025167	3						Hollow screw	
30	VOE13947621	6						Plane gasket	(VOE947621)
31		1						Fuel tank	See ref 23/200
32	VOE943955	1						Bracket	
33	VOE7121563	1						Clamp	
34	VOE956094	1						Cross recessed screw	
35	VOE13955781	1						Nut	(VOE955781)
36	VOE4804757	1						Oil pipe	
37	VOE7048634	2						Hollow screw	
38	VOE13947281	4						Gasket	(VOE947281)
39	VOE940374	1						Clamp	
40	VOE955511	1						Hexagon screw	
41	VOE955893	1						Washer	
42	VOE404279	2						Clamp	
43	VOE956094	1						Cross recessed screw	
44	VOE13955781	1						Nut	(VOE955781)

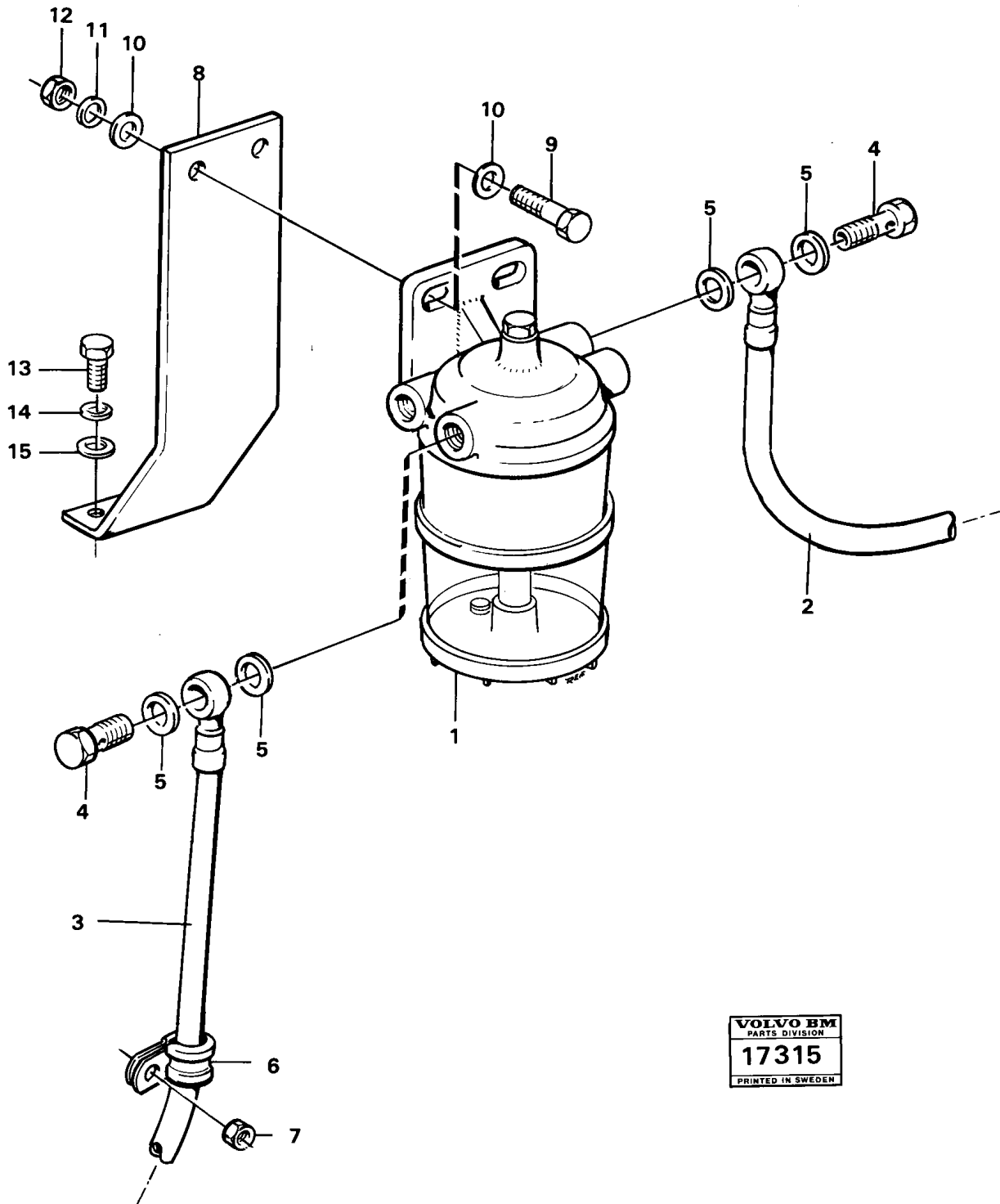
Date: 2014/1/21	Image id: 17311	Catalogue: 97315	Model: 4300B
Brand: Volvo BM	Serial: 5001-9999	Group/Section: 23/100	Title: Fuel pipes, injectors



Pos	Part	Q1	Q2	Q3	Q4	Q5	PS	Kit	Description	Option(s)	Remark
1		4					NS		Injector		See ref 23/500

2	VOE469797	4							Nozzle retainer		
3	VOE4804589	4							Pin		
4	VOE4804590	4							Stud		
5	VOE13971068	4							Hexagon nut		(VOE961992)
6	VOE13942336	4							Spring washer		(VOE942336)
7	VOE4804748	1							Delivery pipe		
8	VOE4804749	1							Delivery pipe		
9	VOE4804750	1							Delivery pipe		
10	VOE4804751	1							Delivery pipe		
11	VOE8194353	1							Clamp		(VOE4780054)
12	VOE8194351	2							Clamp		(VOE4786764)
13	VOE4804603	1							Fuel pipe		
14	VOE947620	2							Gasket		
15	VOE7074033	1							Hollow screw		
16		1							Fuel hose		See ref 23/50
17	VOE7074034	1							Hollow screw		
18	VOE4804582	1							Leak-off line		
19	VOE7074033	3							Hollow screw		
20	VOE947620	9							Gasket		

Date: 2014/1/21	Image id: 17315	Catalogue: 97315	Model: 4300B
Brand: Volvo BM	Serial: 5001-9999	Group/Section: 23/150	Title: Slurry separator with fitting parts



VOLVO BM
PARTS DIVISION
17315
PRINTED IN SWEDEN

Pos	Part	Q1	Q2	Q3	Q4	Q5	PS	Kit	Description	Option(s)	Remark
1	VOE4880463	1							Water separator		See ref 23/550

Thank you so much for reading.
Please click the “Buy Now!”
button below to download the
complete manual.



After you pay.

You can download the most
perfect and complete manual in
the world immediately.

Our support email:

ebooklibonline@outlook.com