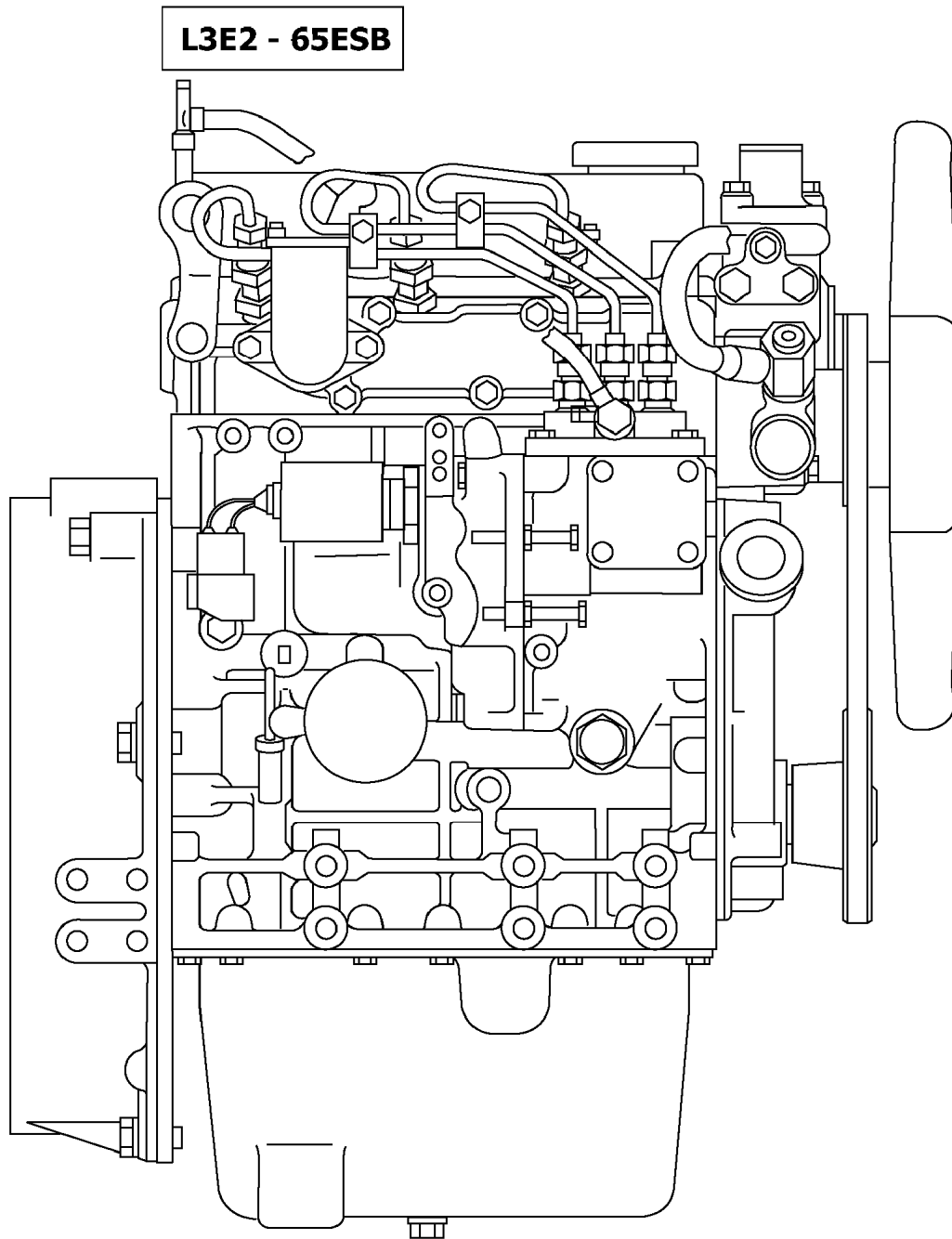


Date: 2013/11/23	Image id: 1005976	Catalogue: 20022	Model: EC13 XR
Brand: Volvo	Serial: 40151-99999	Group/Section: 210/100	Title: Equipped engine L3E2-65ESB

1



Volvo Construction
Equipment
1005976

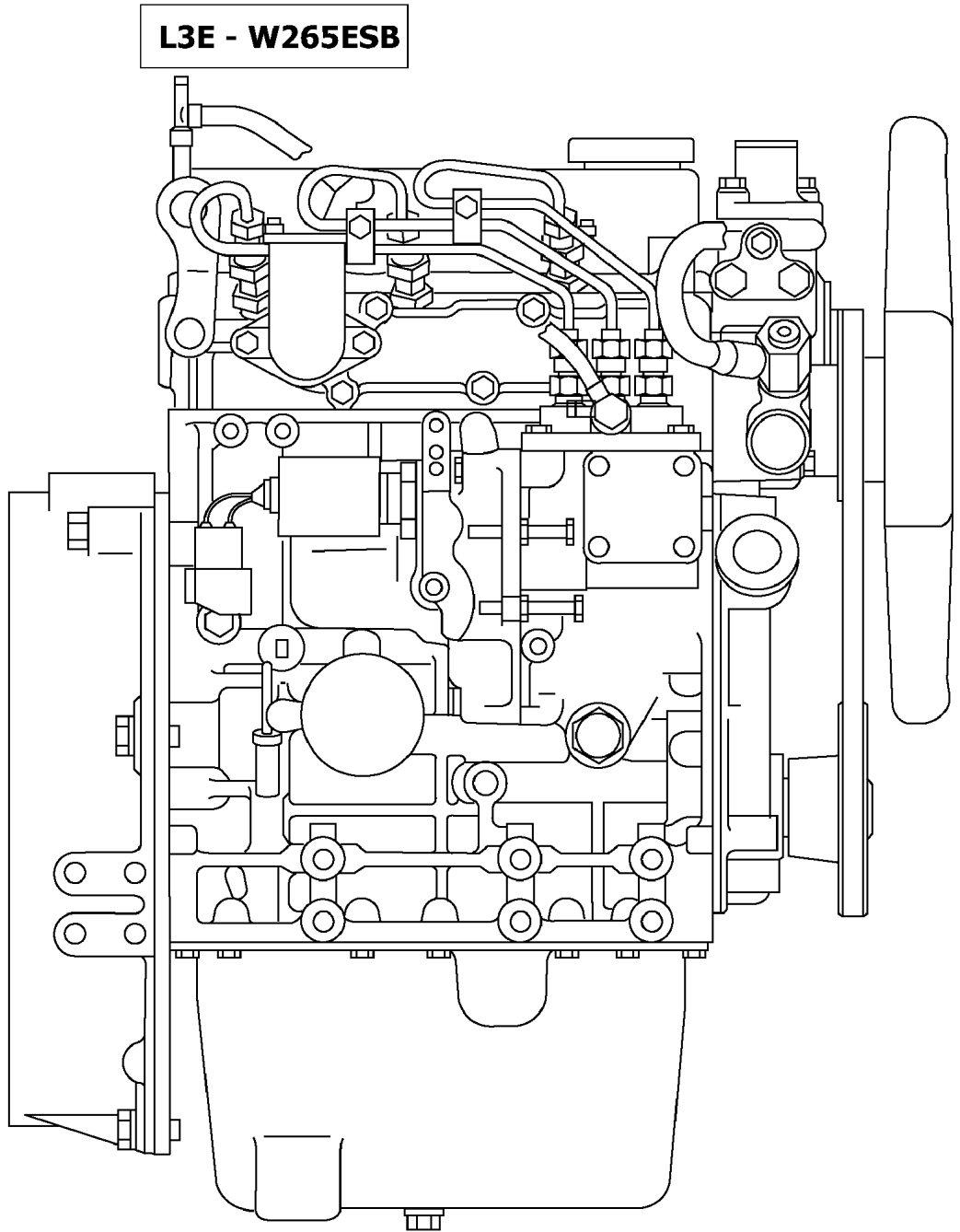
Q1-Q5	Option	Option description	
Q1.			

Q2.			
-----	--	--	--

Pos	Part	Q1	Q2	Q3	Q4	Q5	PS	Kit	Description	Option(s)	Remark
1	VOE11802415	1	1				SS		Engine	PJ6500013	(VOE11800397) L3E2-65ESB

Date: 2013/11/23	Image id: 1005977	Catalogue: 20022	Model: EC13 XR
Brand: Volvo	Serial: 40151-99999	Group/Section: 210/110	Title: Equipped engine L3E-W265ESB

1



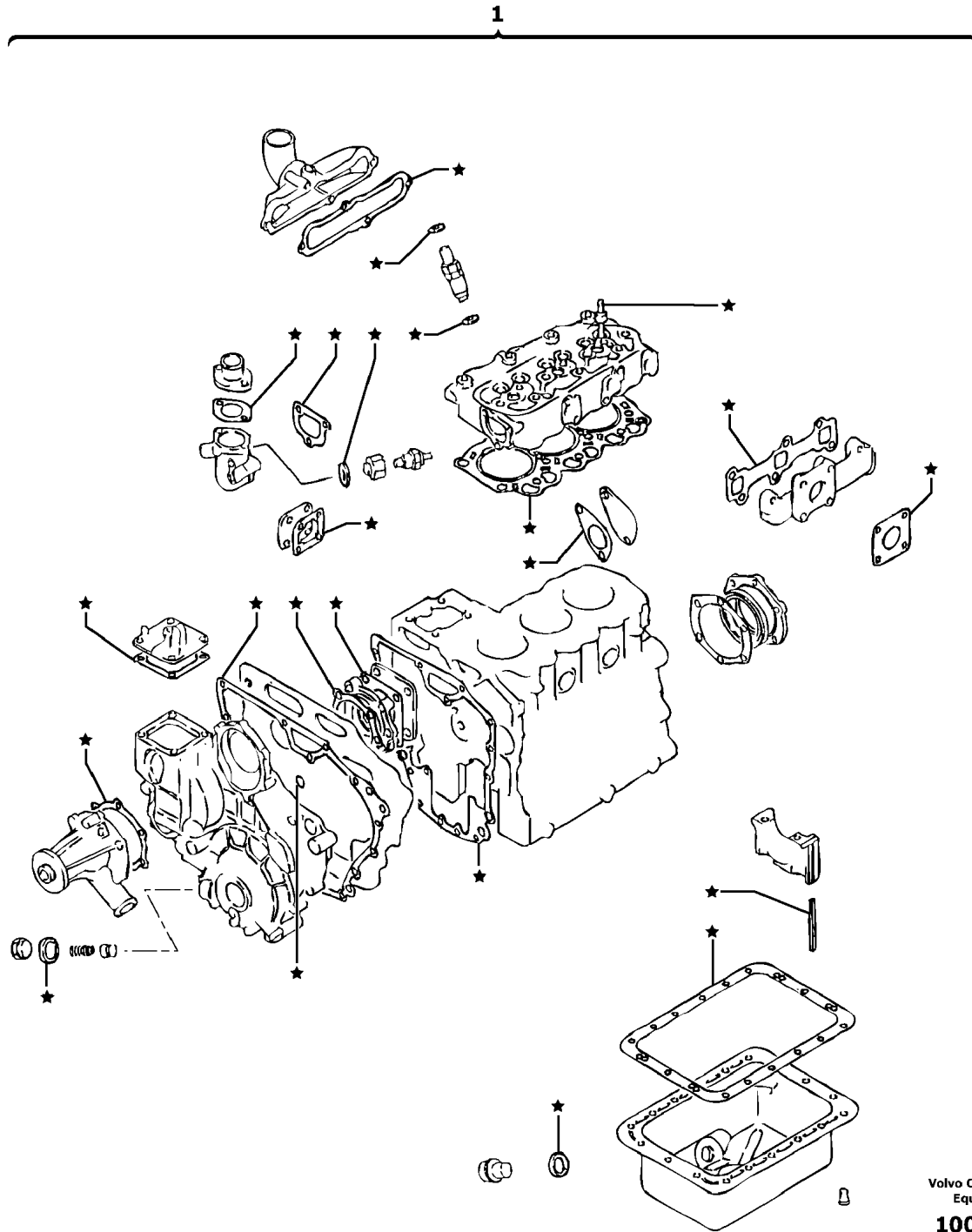
Volvo Construction
Equipment
1005977

Q1-Q5	Option	Option description	
Q1.			

Q2.			
-----	--	--	--

Pos	Part	Q1	Q2	Q3	Q4	Q5	PS	Kit	Description	Option(s)	Remark
1	VOE11801717	1	1						Engine	PJ6500047	L3E-W265ESB

Date: 2013/11/23	Image id: 1005978	Catalogue: 20022	Model: EC13 XR
Brand: Volvo	Serial: 40151-99999	Group/Section: 210/300	Title: Engine gasket kit

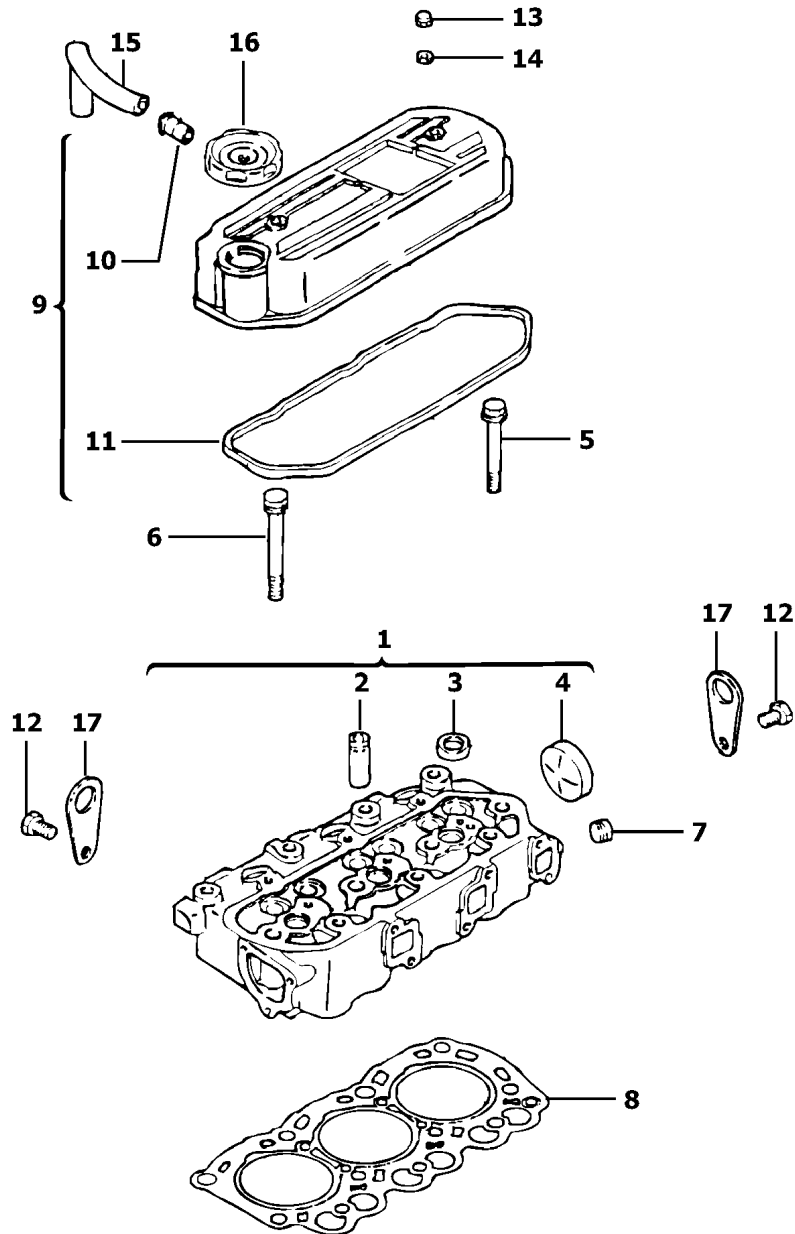


Q1-Q5	Option	Option description	
Q1 600.10151			

Q2 600.40151			
--------------	--	--	--

Pos	Part	Q1	Q2	Q3	Q4	Q5	PS	Kit	Description	Option(s)	Remark
1	PJ7418513	1	1						Seal kit		

Date: 2013/11/23	Image id: 1005979	Catalogue: 20022	Model: EC13 XR
Brand: Volvo	Serial: 40151-99999	Group/Section: 211/100	Title: Cylinder head



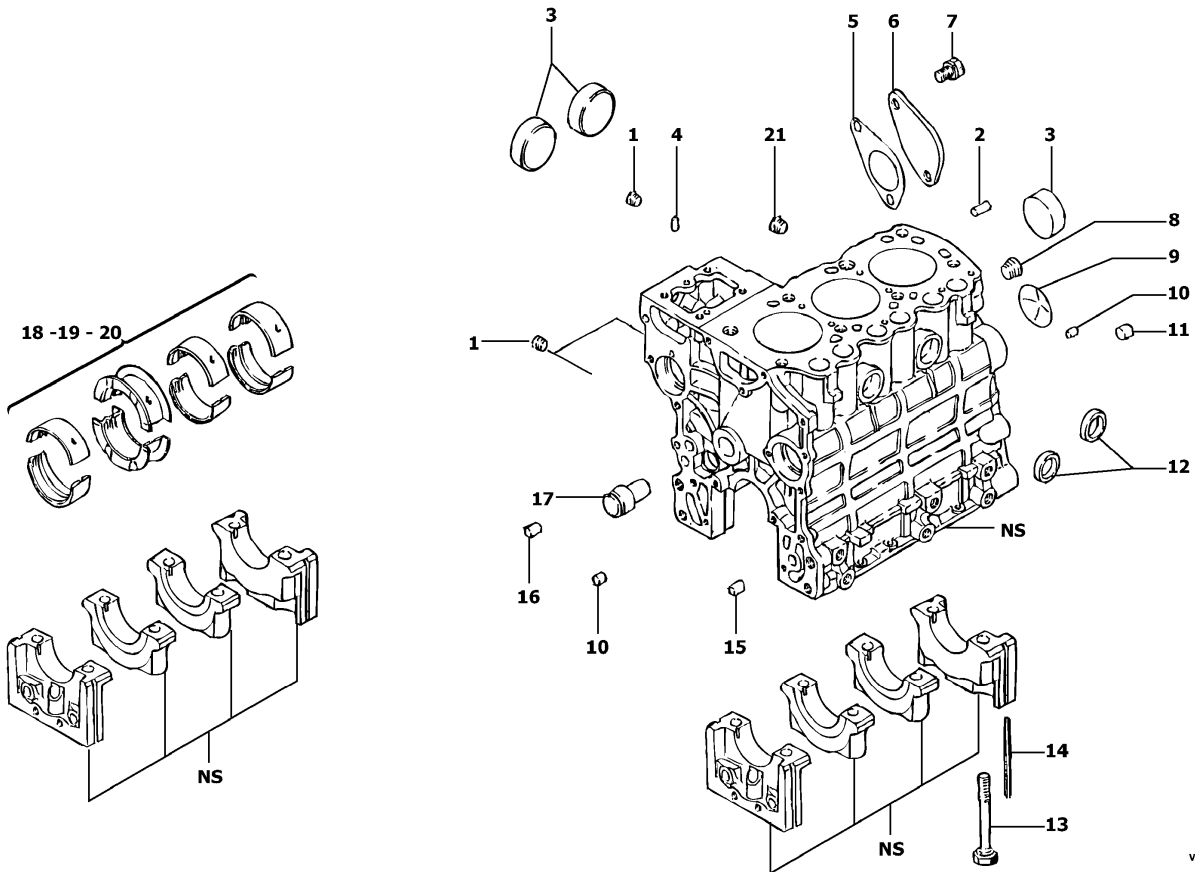
Volvo Construction
Equipment
1005979

Q1-Q5	Option	Option description	
Q1 600.10151			

Q2 600.40151			
--------------	--	--	--

Pos	Part	Q1	Q2	Q3	Q4	Q5	PS	Kit	Description	Option(s)	Remark
1	PJ7417039	1	1						Cylinder head		L3E2-65ESB
1	PJ7412995	1	1						Cylinder head		L3E-W265ESB
2	PJ7410611	6	6						•Guide		
3	PJ7410609	3	3						•Sealing		
4	PJ7410577	1	1						•Plug		
5	PJ7410587	3	3						Bolt		
6	PJ7417085	8	8						Bolt		
7	PJ7410691	1	1						Plug		
8	PJ7415738	1	1						Cyl Head Gasket		
9	PJ7418418	1	1						Cover		
10		1	1				NS		•Nipple		
11	PJ7412914	1	1						•Seal		
12	PJ4380042	2	2						Screw		
13	PJ7410599	2	2						Nut		
14	VOE955892	2	2						Washer		(PJ4460018)
15	PJ7410665	1	1						Tube		
16	VOE11712227	1	1						Cap		
17	PJ7410628	2	2				OP		Support		

Date: 2013/11/23	Image id: 1005980	Catalogue: 20022	Model: EC13 XR
Brand: Volvo	Serial: 40151-99999	Group/Section: 212/100	Title: Cylinder block



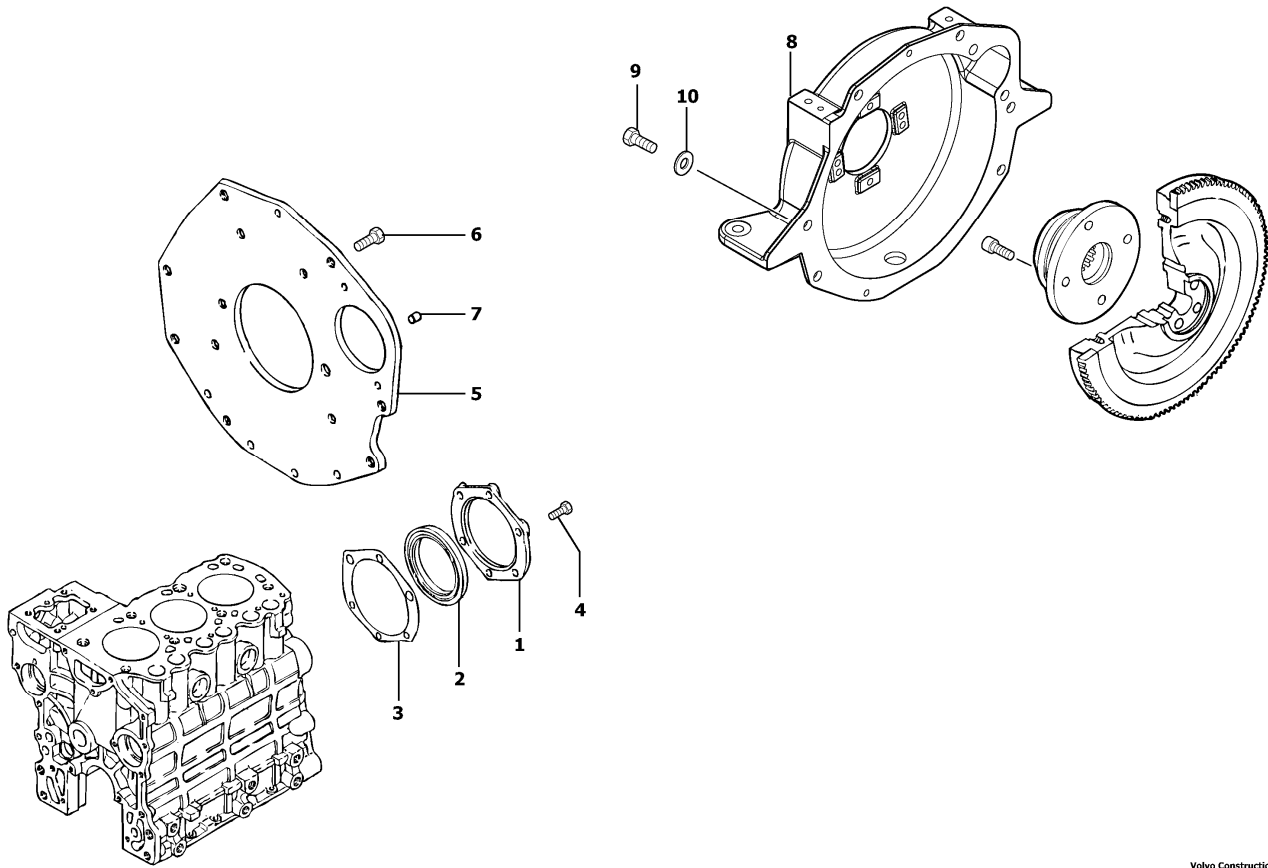
Volvo Construction
Equipment
1005980

Q1-Q5	Option	Option description	
Q1 600.10151			
Q2 600.40151			

Pos	Part	Q1	Q2	Q3	Q4	Q5	PS	Kit	Description	Option(s)	Remark
1	PJ7417041	3	3						Plug		
2	PJ7410129	1	1						Centraliser		
3	PJ7410577	3	3						Plug		
4	PJ7410287	2	2						Centraliser		
5	PJ7418420	1	1						Seal		
6	PJ7410639	1	1					OP	Plate		
7	PJ4380042	2	2						Screw		
8	PJ7410692	1	1						Plug		
9	PJ7410608	1	1						Plug		
10	PJ7410688	2	2						Bushing		
11	PJ7410690	3	3						Bushing		

12	PJ7410144	2	2						Plug		
13	PJ7418419	8	8						Bolt		
14	PJ7410625	4	4						Seal		
15	PJ7410689	1	1						Bushing		
16	PJ7410404	2	2						Bushing		
17	PJ7415739	1	1						Shaft		
18	PJ7413155	1	1						Bearings (kit)		STD SZ
19	PJ7413156	1	1						Bearings (kit)		0,25mm/0.0098in
20	PJ7413157	1	1						Bearings (kit)		0,50mm/0.0197in
21	PJ7410039	1	1						Plug		

Date: 2013/11/23	Image id: 1005981	Catalogue: 20022	Model: EC13 XR
Brand: Volvo	Serial: 40151-99999	Group/Section: 212/500	Title: Flywheel housing

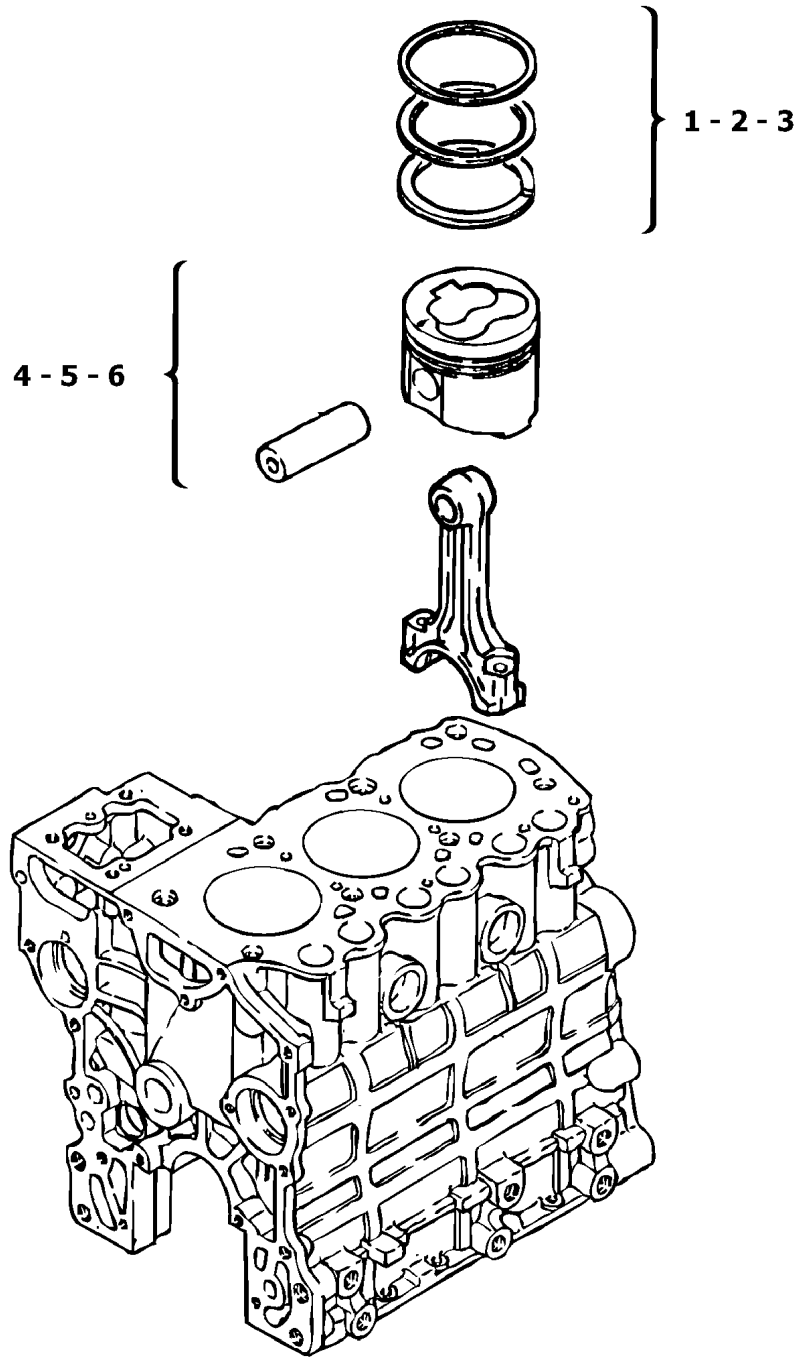


Volvo Construction
Equipment
1005981

Q1-Q5	Option	Option description	
Q1 600.10151			
Q2 600.40151			

Pos	Part	Q1	Q2	Q3	Q4	Q5	PS	Kit	Description	Option(s)	Remark
1	PJ7410615	1	1						Flange		
2	PJ7410585	1	1						Seal		
3	PJ7410626	1	1						Seal		
4	PJ4380032	6	6						Screw		
5	PJ7410672	1	1				OP		Plate		
6	PJ7416472	6	6						Attachment kit		
7	PJ7412990	1	1						Centraliser		
8	PJ3810791	1	1						Flywheel housing		
9	VOE962769	6	6						Hexagon screw		
10	VOE955897	6	6						Washer		

Date: 2013/11/23	Image id: 1005982	Catalogue: 20022	Model: EC13 XR
Brand: Volvo	Serial: 40151-99999	Group/Section: 213/100	Title: Pistons L3E2-65ESB



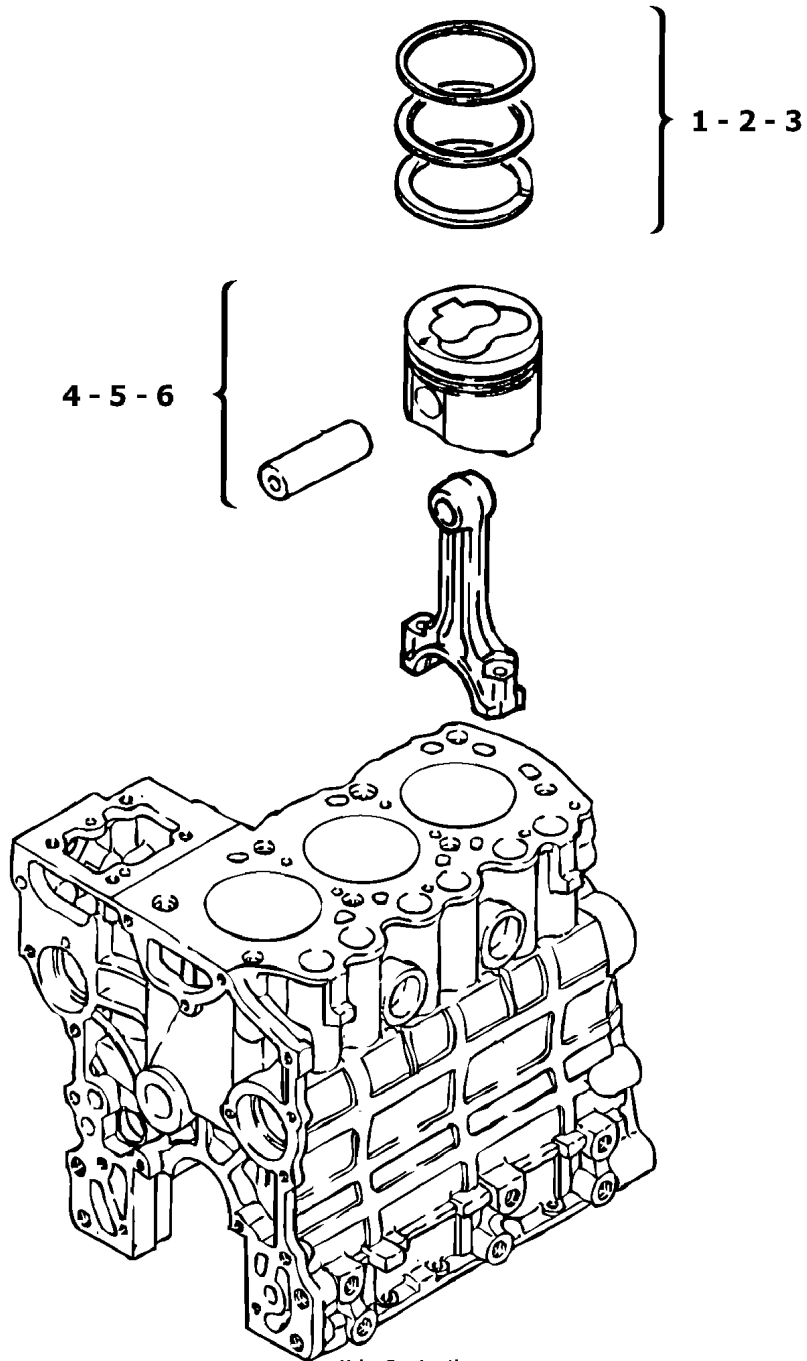
Volvo Construction
Equipment
1005982

Q1-Q5	Option	Option description	
Q1.			

Q2.			
-----	--	--	--

Pos	Part	Q1	Q2	Q3	Q4	Q5	PS	Kit	Description	Option(s)	Remark
1	PJ7410666	3	3						Piston rings (kit)		STD SZ
2	PJ7411182	3	3						Piston rings (kit)		0,25mm/0.0098in
3	PJ7411183	3	3						Piston rings (kit)		0,50mm/0.0197in
4	PJ7418421	3	3						Piston		STD SZ
5	PJ7418422	3	3						Piston		0,25mm/0.0098in
6	PJ7418423	3	3						Piston		0,50mm/0.0197in

Date: 2013/11/23	Image id: 1005983	Catalogue: 20022	Model: EC13 XR
Brand: Volvo	Serial: 40151-99999	Group/Section: 213/200	Title: Pistons L3E-W265ESB



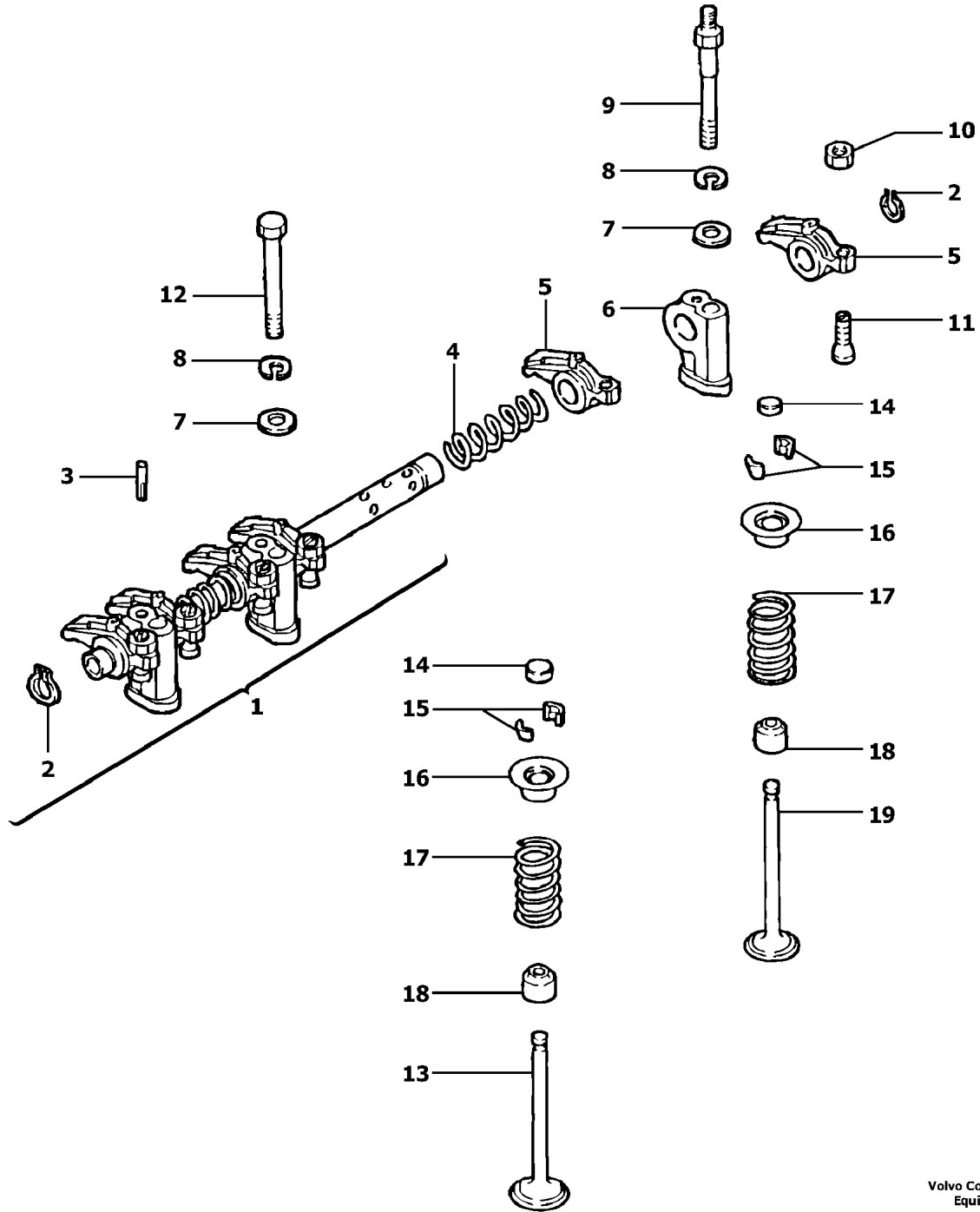
Volvo Construction
Equipment
1005983

Q1-Q5	Option	Option description	
Q1.			

Q2.			
-----	--	--	--

Pos	Part	Q1	Q2	Q3	Q4	Q5	PS	Kit	Description	Option(s)	Remark
1	PJ7410666	3	3						Piston rings (kit)		STD SZ
2	PJ7411182	3	3						Piston rings (kit)		0,25mm/0.0098in
3	PJ7411183	3	3						Piston rings (kit)		0,50mm/0.0197in
4	PJ7418424	3	3						Piston		STD SZ
5	PJ7418425	3	3						Piston		0,25mm/0.0098in
6	PJ7418426	3	3						Piston		0,50mm/0.0197in

Date: 2013/11/23	Image id: 1006013	Catalogue: 20022	Model: EC13 XR
Brand: Volvo	Serial: 40151-99999	Group/Section: 214/100	Title: Rocker arm shaft



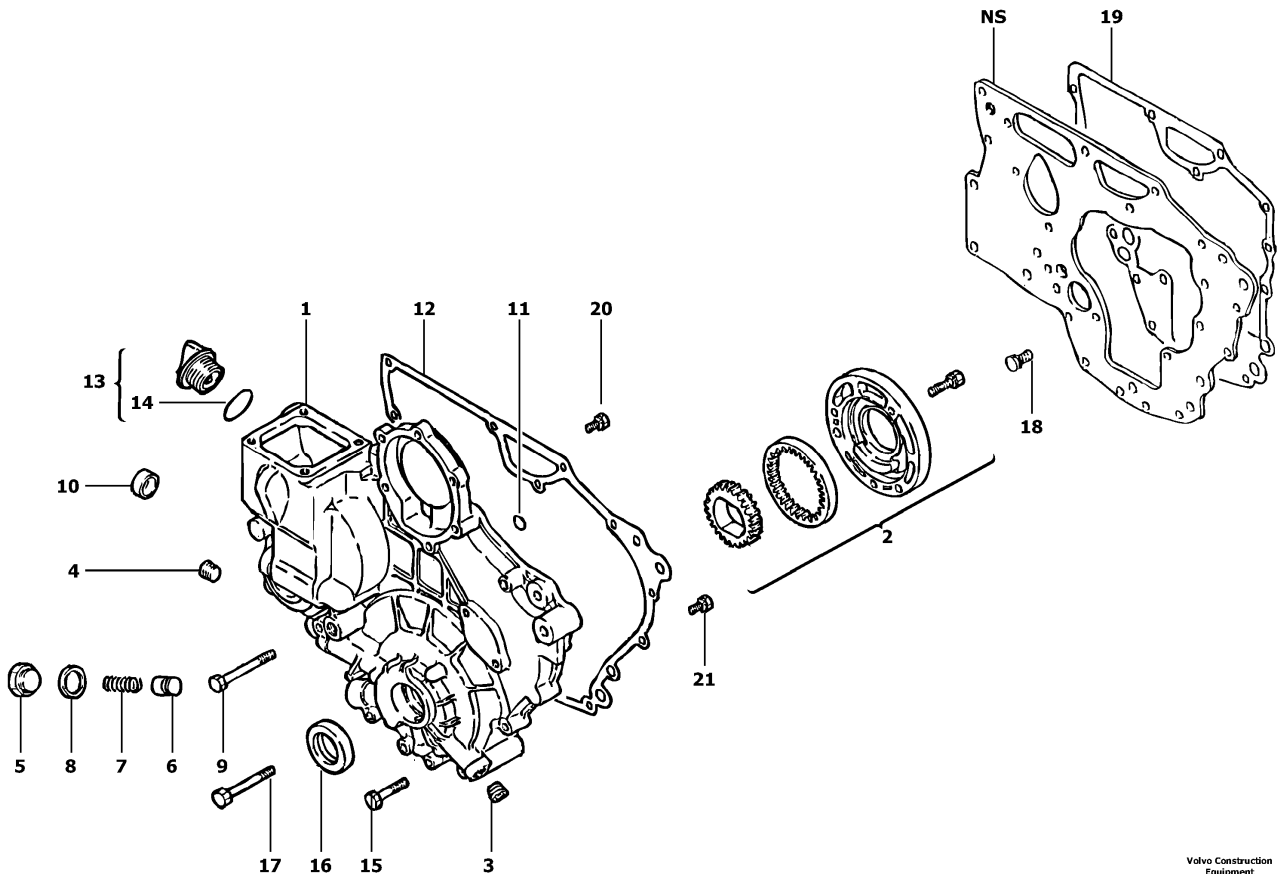
Volvo Construction
Equipment
1006013

Q1-Q5	Option	Option description	
Q1 600.10151			

Q2 600.40151			
--------------	--	--	--

Pos	Part	Q1	Q2	Q3	Q4	Q5	PS	Kit	Description	Option(s)	Remark
1	PJ7418433	1	1						Rocker Arm Shaft		
2	PJ7410605	2	2						•Snap Ring		
3	PJ7410622	1	1						Pin		
4	PJ7410612	2	2						Spring		
5	PJ7410657	6	6						Rocker Arm		
6	PJ7410613	3	3						Support		
7	PJ7410402	3	3						Washer		
8	PJ4470014	3	3						Lock Washer		
9	PJ7410669	2	2						Stud		
10	PJ4410013	6	6						Nut		
11	PJ7410658	6	6						Screw		
12	PJ7411295	1	1						Screw		
13	PJ7410620	3	3						Inlet valve		
14	PJ7414924	6	6						Cap		
15	PJ7410056	12	12						Stop		
16	PJ7410655	6	6						Washer		
17	PJ7410638	6	6						Spring		
18	PJ7414430	6	6						Seal		
19	PJ7410621	3	3				SS		Exhaust Valve		

Date: 2013/11/23	Image id: 1006014	Catalogue: 20022	Model: EC13 XR
Brand: Volvo	Serial: 40151-99999	Group/Section: 215/100	Title: Timing gear casing



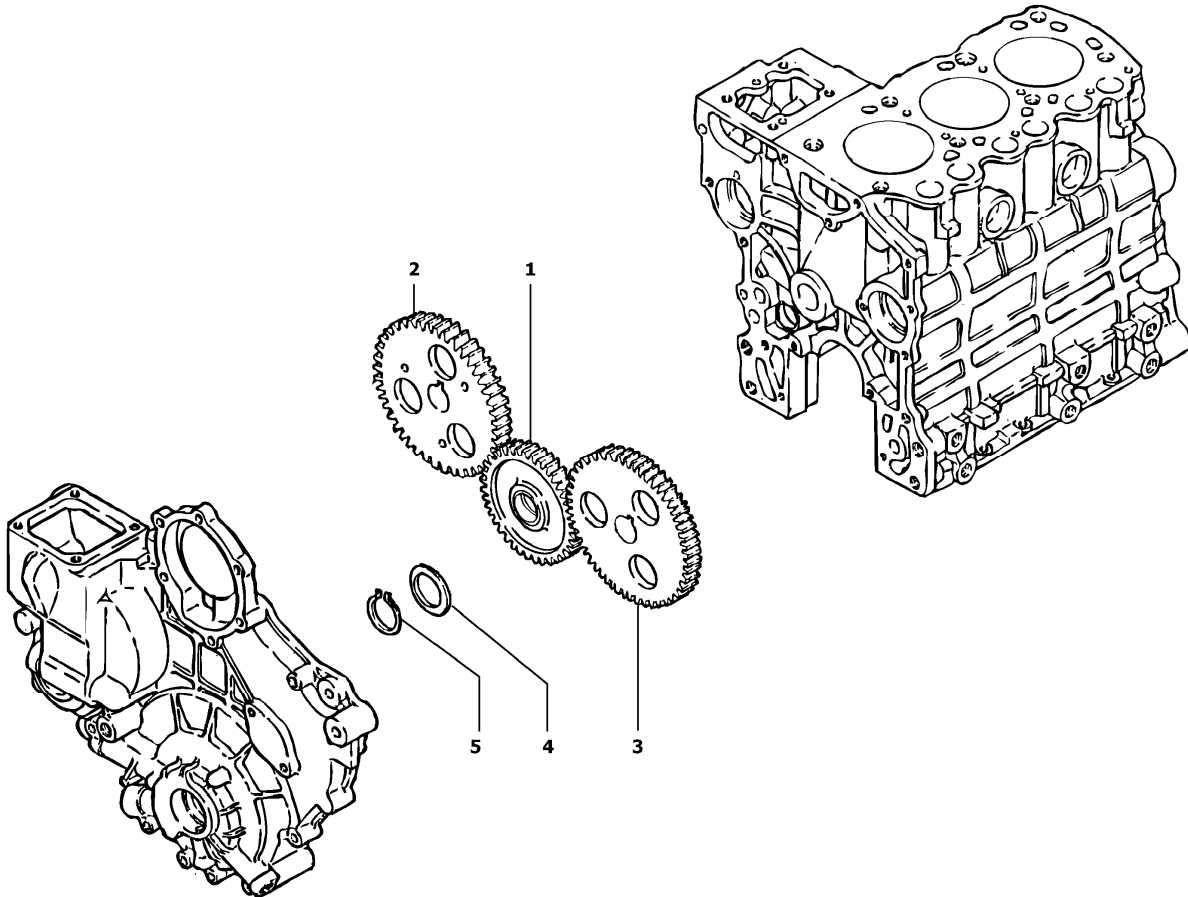
Volvo Construction
Equipment
1006014

Q1-Q5	Option	Option description	
Q1 600.10151			
Q2 600.40151			

Pos	Part	Q1	Q2	Q3	Q4	Q5	PS	Kit	Description	Option(s)	Remark
1	PJ7415741	1	1						Oil Pan		
2		1	1						•Oil pump		See ref 221/100
3	PJ7410408	1	1						•Plug		
4	PJ7410691	1	1						•Plug		
5	PJ7410579	1	1						•Plug		
6	PJ7410047	1	1						•Plunger		
7	PJ7410659	1	1						•Spring		
8	VOE11715851	1	1						•Sealing		(PJ7410040)
9	PJ7410594	1	1						Screw		
10	PJ7410627	1	1						Plug		
11	PJ7410603	2	2						O-ring		

12	PJ7418368	1	1						Seal		
13	VOE11716698	1	1						Oil Filler Cap		(PJ7410610)
14	PJ7410596	1	1				SS		•O-ring		
15	PJ7410592	3	3						Screw		
16	PJ7410580	1	1						Sealing		
17	PJ7410593	4	4						Screw		
18	PJ4380030	7	7						Screw		
19	PJ7418432	1	1						Seal		
20	PJ4380042	3	3						Screw		
21	PJ4380030	4	4						Screw		

Date: 2013/11/23	Image id: 1005984	Catalogue: 20022	Model: EC13 XR
Brand: Volvo	Serial: 40151-99999	Group/Section: 215/300	Title: Timing gears

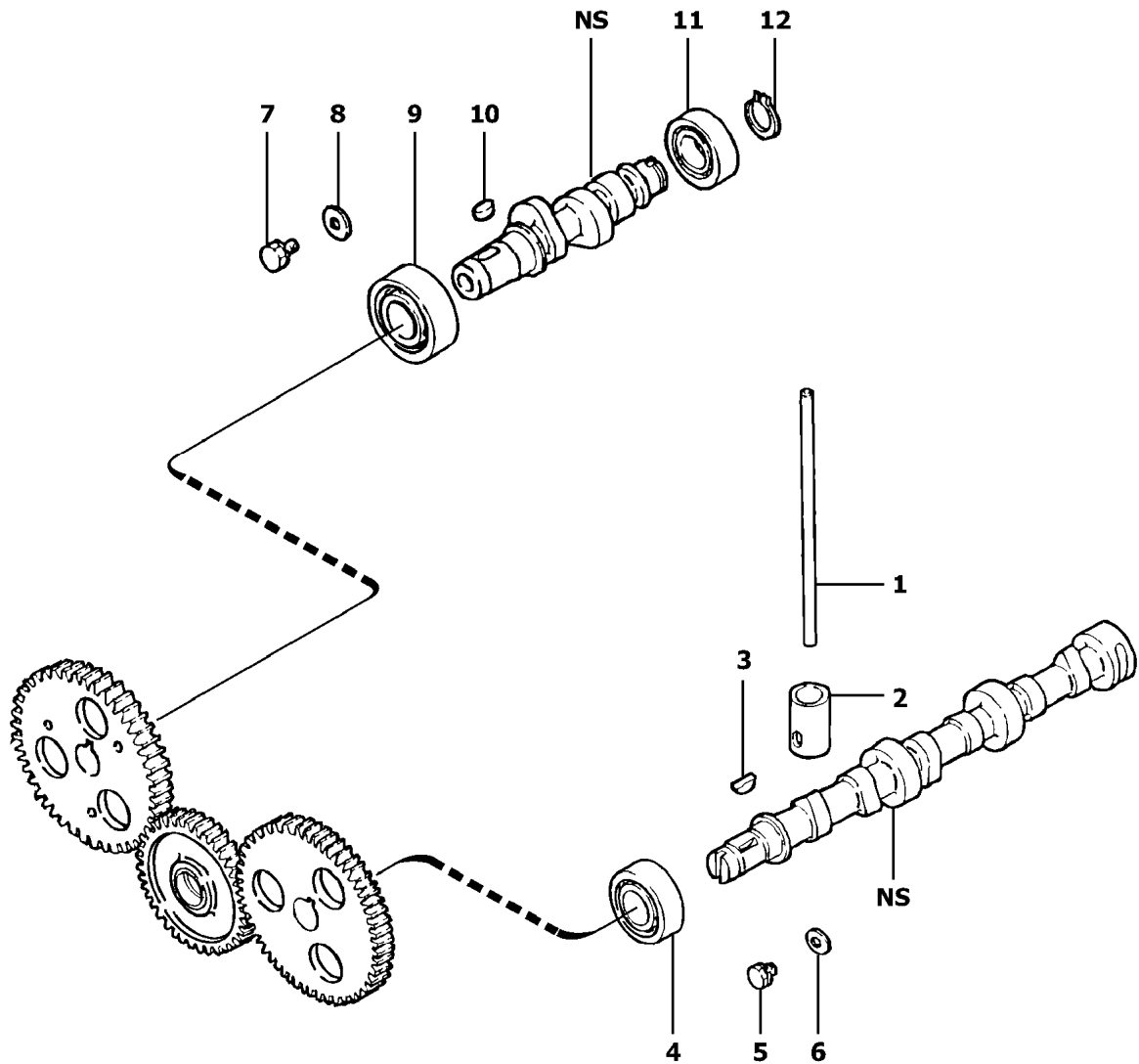


Volvo Construction
Equipment
1005984

Q1-Q5	Option	Option description	
Q1 600.10151			
Q2 600.40151			

Pos	Part	Q1	Q2	Q3	Q4	Q5	PS	Kit	Description	Option(s)	Remark
1	PJ7418429	1	1						Gear		
2	PJ7418430	1	1						Gear		
3	PJ7418428	1	1						Gear		
4	PJ7415183	1	1						Washer		
5	PJ7415178	1	1						Snap Ring		

Date: 2013/11/23	Image id: 1005985	Catalogue: 20022	Model: EC13 XR
Brand: Volvo	Serial: 40151-99999	Group/Section: 215/400	Title: Camshaft



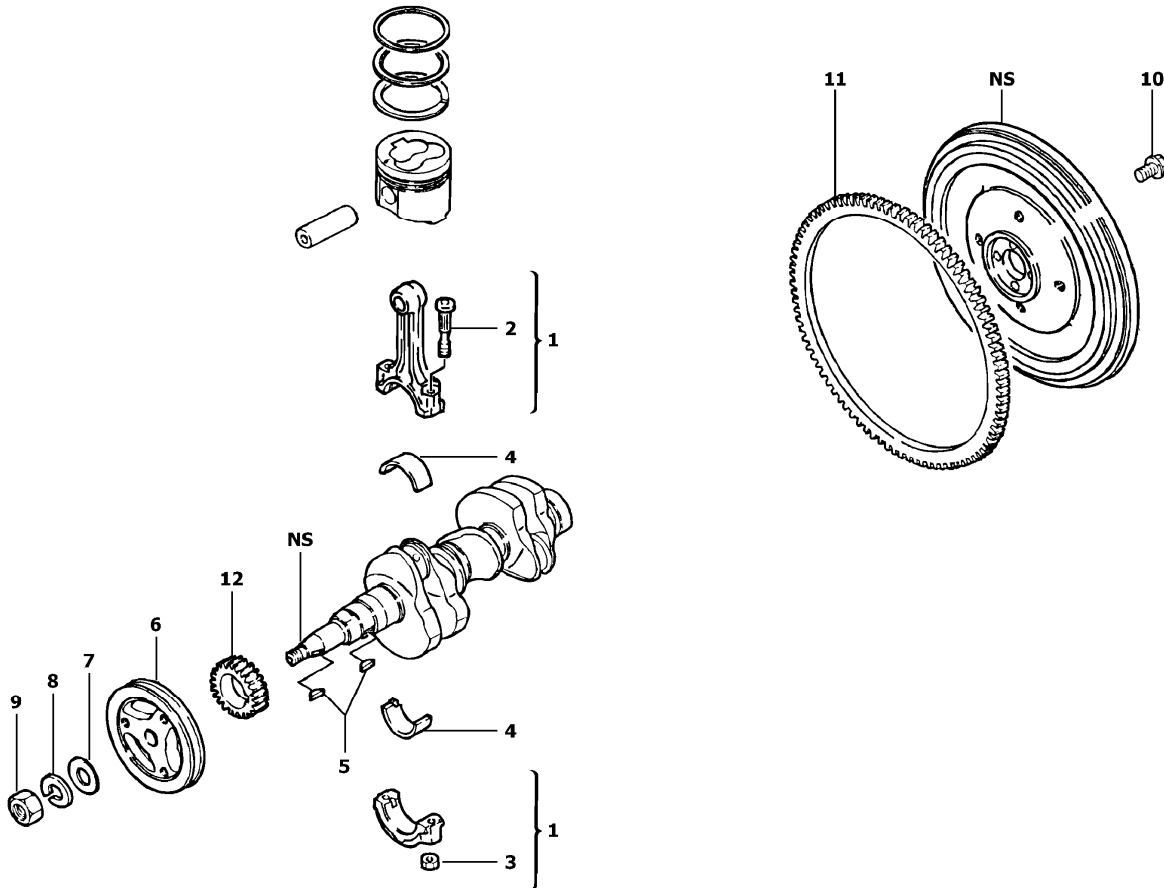
Volvo Construction
Equipment
1005985

Q1-Q5	Option	Option description	
Q1 600.10151			

Q2 600.40151			
--------------	--	--	--

Pos	Part	Q1	Q2	Q3	Q4	Q5	PS	Kit	Description	Option(s)	Remark
1	PJ7410656	6	6						Rod		
2	PJ7410651	6	6						Tappet		
3	PJ7410602	1	1						Key		
4	PJ7410617	1	1						Ball bearing		
5	PJ4380031	1	1						Screw		
6	PJ7410629	1	1						Washer		
7	PJ4380031	1	1						Screw		
8	PJ7410629	1	1						Washer		
9	PJ7410617	1	1						Ball bearing		
10	PJ7410131	1	1						Key		
11	PJ7410618	1	1						Ball bearing		
12	PJ7410606	1	1						Snap Ring		

Date: 2013/11/23	Image id: 1005986	Catalogue: 20022	Model: EC13 XR
Brand: Volvo	Serial: 40151-99999	Group/Section: 216/100	Title: Connecting rods

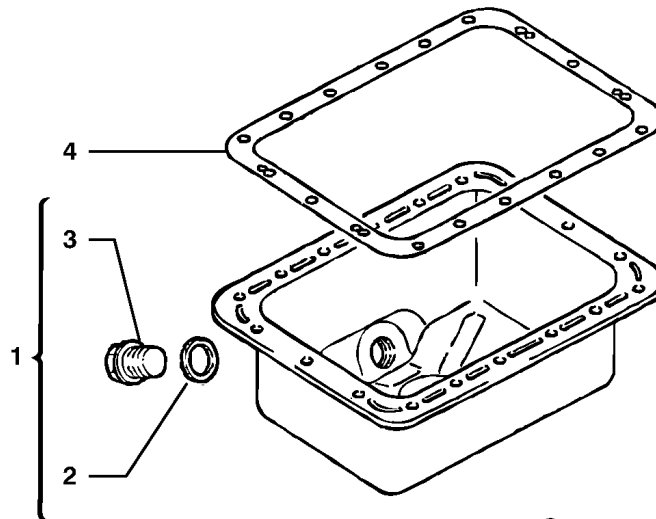
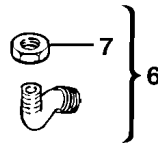
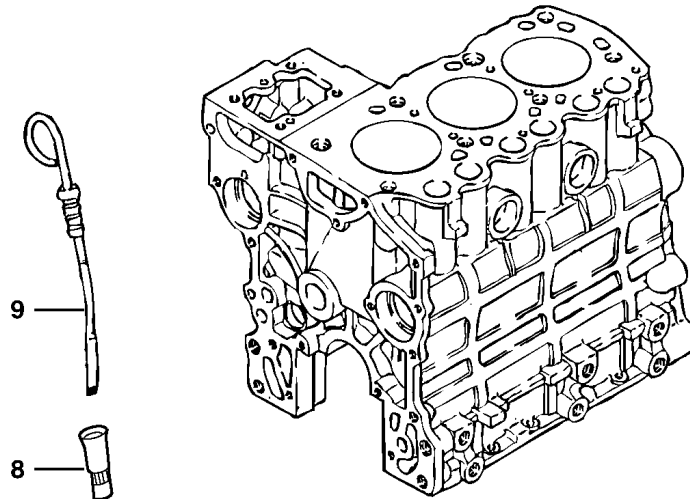


Volvo Construction
Equipment
1005986

Q1-Q5	Option	Option description	
Q1 600.10151			
Q2 600.40151			

Pos	Part	Q1	Q2	Q3	Q4	Q5	PS	Kit	Description	Option(s)	Remark
1	PJ7417045	3	3						Piston rod		
2	PJ7410578	2	2						•Screw		
3	PJ7410045	2	2						•Nut		
4	VOE11716691	3	3						Connecting Rod		(PJ7413017)STD SZ
4	VOE11716692	3	3						Connecting Rod		(PJ7413018) 0,25mm/0.0098in
4	PJ7411185	3	3						Bearings (kit)		0,50mm/0.0197in
5	PJ7410602	2	2						Key		
6	PJ7415745	1	1						Pulley		
7	PJ7410600	1	1						Washer		
8	PJ7410601	1	1						Lock Washer		

Date: 2013/11/23	Image id: 1008077	Catalogue: 20022	Model: EC13 XR
Brand: Volvo	Serial: 40151-99999	Group/Section: 217/100	Title: Lubrication oil sump



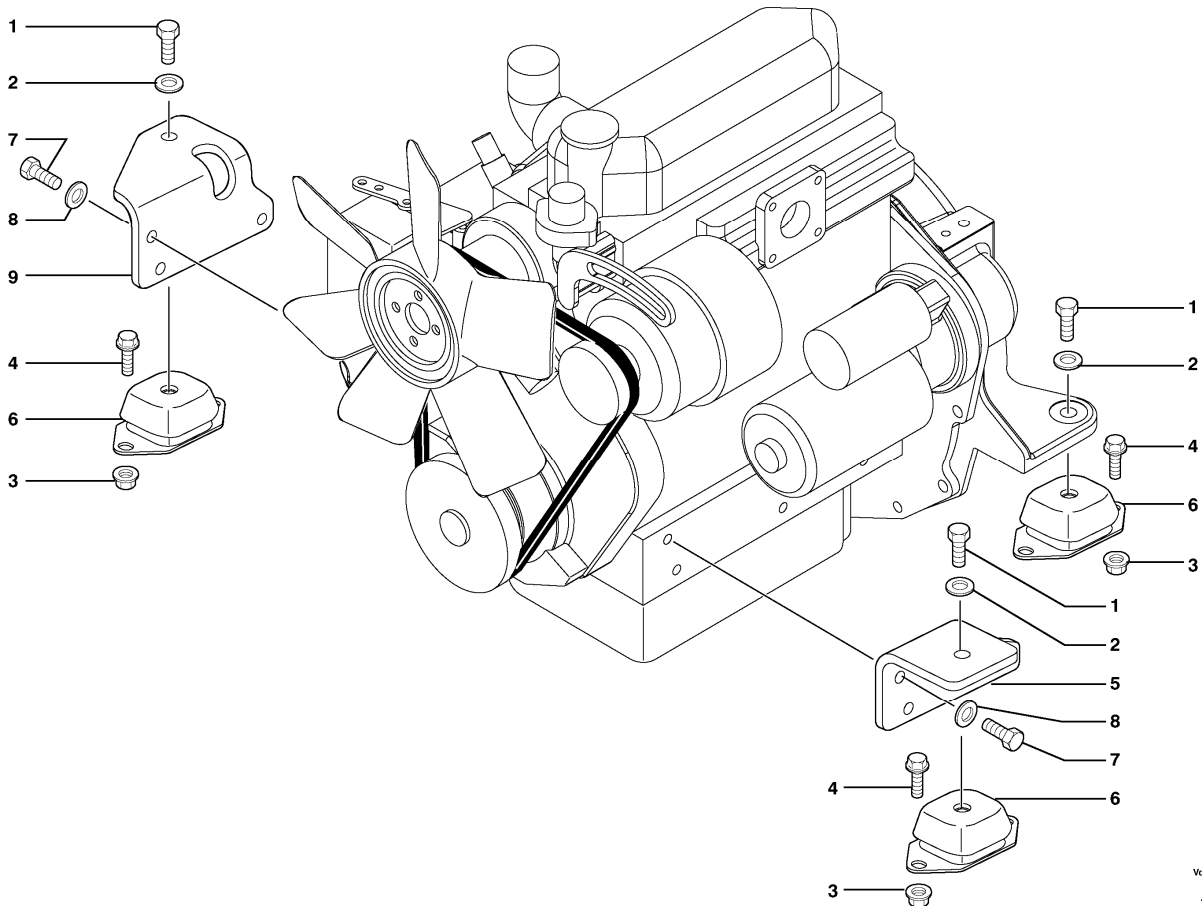
Volvo Construction
Equipment
1008077

Q1-Q5	Option	Option description	
Q1 600.10151			

Q2 600.40151			
--------------	--	--	--

Pos	Part	Q1	Q2	Q3	Q4	Q5	PS	Kit	Description	Option(s)	Remark
1	PJ7413163	1	1						Oil pan		
2	VOE11715851	1	1						•Sealing		(PJ7410040)
3	PJ7410041	1	1						•Plug		
4	PJ7418431	1	1						Seal		
5	PJ4300026	18	18						Screw		
6	PJ7413011	1	1						Strainer		
7	PJ7410727	1	1						•Nut		
8	PJ7411338	1	1						Giude		
9	PJ7410648	1	1						Dipstick		

Date: 2013/11/23	Image id: 1005988	Catalogue: 20022	Model: EC13 XR
Brand: Volvo	Serial: 40151-99999	Group/Section: 218/100	Title: Engine mounts



Volvo Construction
Equipment
1005988

Q1-Q5	Option	Option description	
Q1 600.10151			
Q2 600.40151			

Pos	Part	Q1	Q2	Q3	Q4	Q5	PS	Kit	Description	Option(s)	Remark
1	VOE978932	3	3						Hexagon screw		M12X30
2	VOE13955897	3	3						Washer		13X24X2
3	VOE13971098	6	6						Flange nut		
4	VOE946441	6	6						Flange screw		M10X20
5	VOE11800440	1	1						Support		
6	VOE11800449	3	3						Rubber stop		
7	PJ4370015	6	6						Screw		M10X25
8	VOE960148	6	6						Washer		10.5X22X2
9	VOE11800441	1	1						Support		

Thank you so much for reading.
Please click the “Buy Now!”
button below to download the
complete manual.



After you pay.

You can download the most
perfect and complete manual in
the world immediately.

Our support email:

ebooklibonline@outlook.com