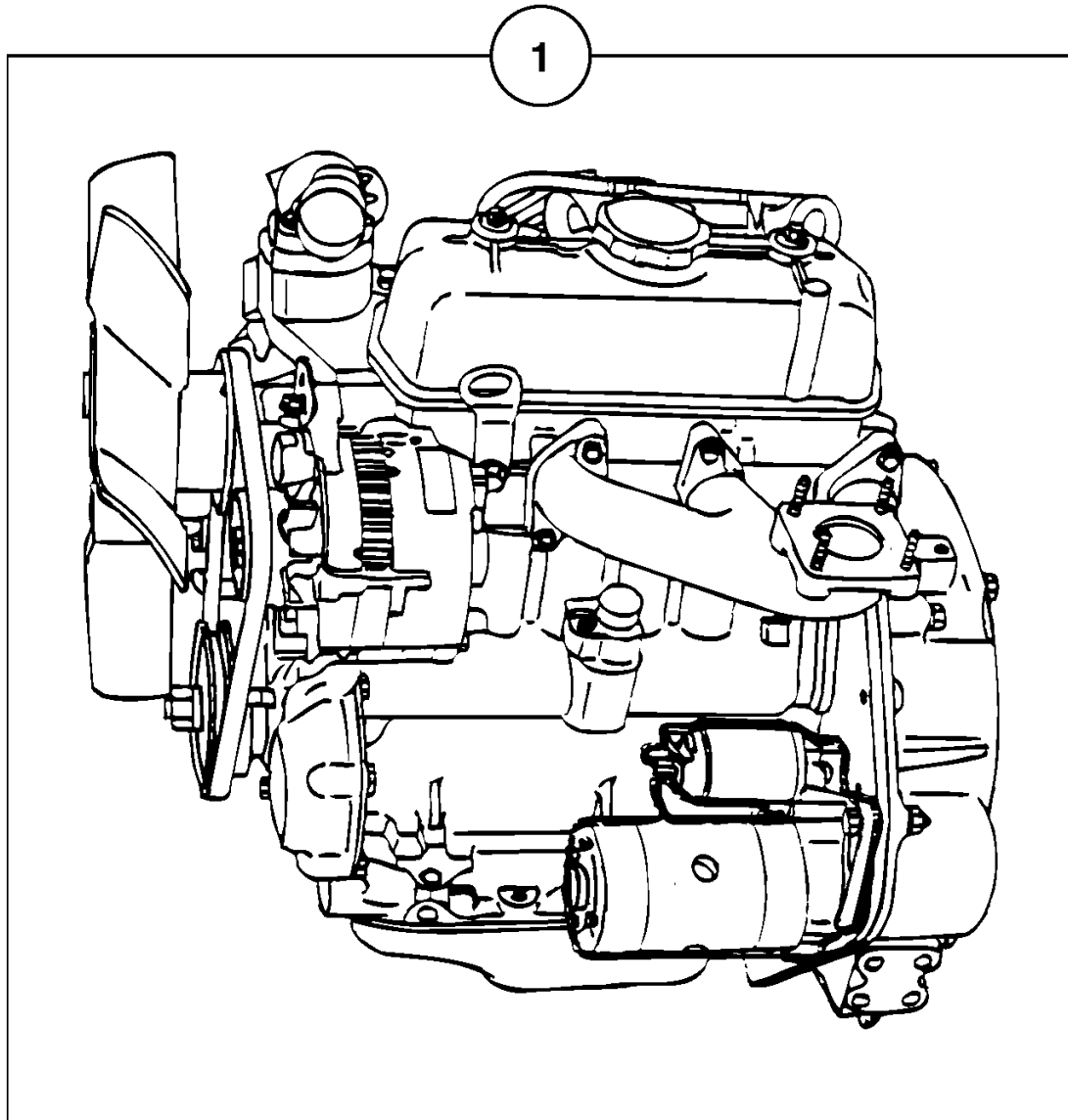


Date: 2013/11/23	Image id: A01Q1	Catalogue: 10001	Model: EC14
Brand: Volvo	Serial: 10151-21500, 21501-99999	Group/Section: 210/100	Title: Diesel engine



Volvo Construction
Equipment

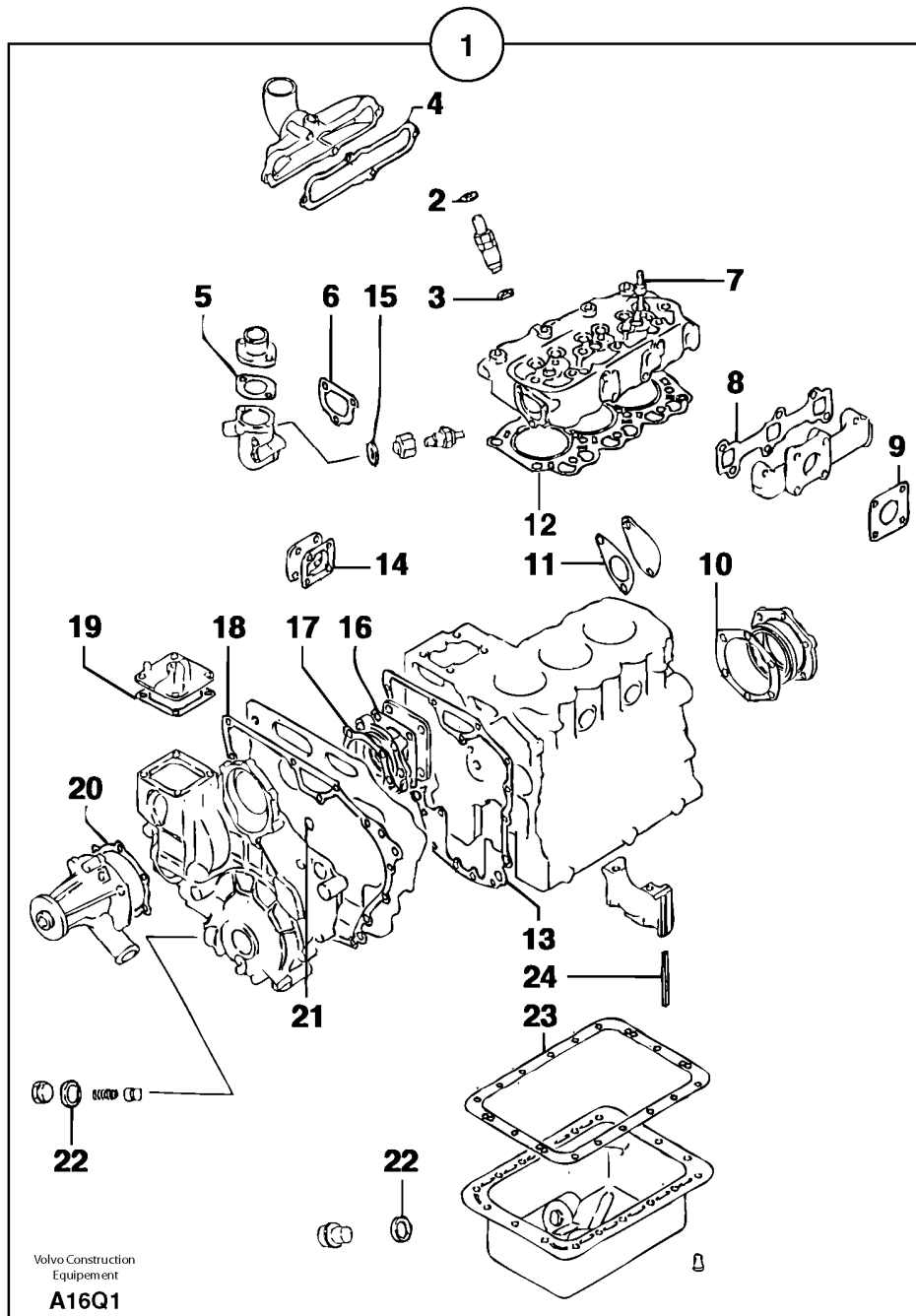
A01Q1

Q1-Q5	Option	Option description	
Q1	246.21501		
Q2	271.10151		

Pos	Part	Q1	Q2	Q3	Q4	Q5	PS	Kit	Description	Option(s)	Remark
-----	------	----	----	----	----	----	----	-----	-------------	-----------	--------

1	PJ7415627	1	1				SS		Engine, cpl.		
---	-----------	---	---	--	--	--	----	--	--------------	--	--

Date: 2013/11/23	Image id: A16Q1	Catalogue: 10001	Model: EC14
Brand: Volvo	Serial: 10151-21500, 21501-99999	Group/Section: 210/300	Title: Engine gasket kit

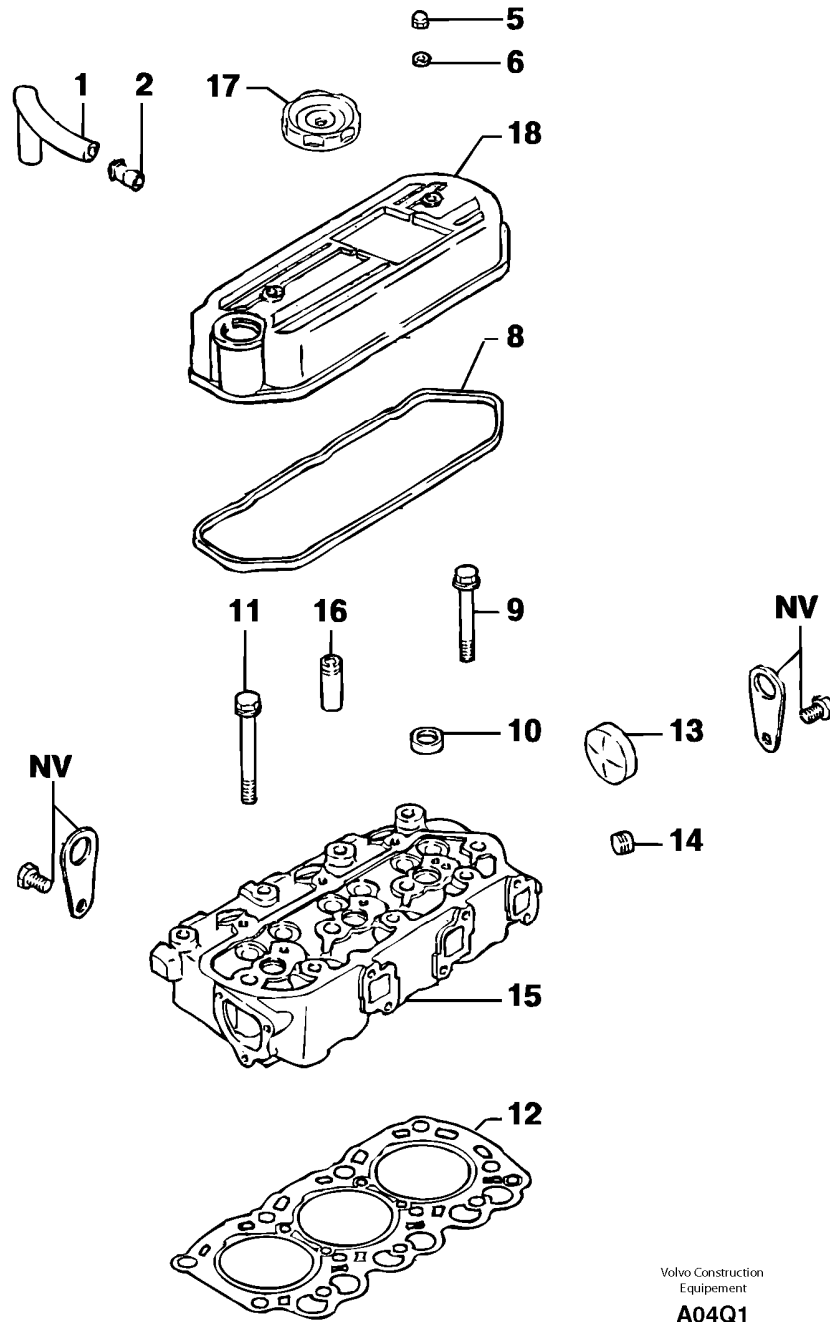


Q1-Q5	Option	Option description	
-------	--------	--------------------	--

Q1 246.21501			
Q2 271.10151			

Pos	Part	Q1	Q2	Q3	Q4	Q5	PS	Kit	Description	Option(s)	Remark
1	PJ7418513	1	1						Seal kit		(PJ7412985)
2	PJ7410717	3	3						•Seal		
3	PJ7410718	3	3						•Seal		
4	PJ7412891	1	1						•Gasket		
5	PJ7410755	1	1						•Seal		
6	PJ7418369	1	1						•Seal		(PJ7410772)
7	PJ7410057	6	6				SS		•Seal		
8	PJ7412890	1	1						•Seal		
9	PJ7410238	1	1						•Seal		
10	PJ7410626	1	1						•Seal		
11	PJ7410640	1	1				SS		•Seal		
12	PJ7415738	1	1						•Cyl Head Gasket		
13	PJ7410646	1	1						•Seal		
14	PJ7410767	1	1						•Seal		
15	PJ7410731	1	1						•Sealing ring		
16	PJ7410177	1	1						•Seal		
17	PJ7410636	1	1						•Seal		
18	PJ7418368	1	1						•Seal		(PJ7410652)
19	PJ7410783	1	1				SS		•Seal		
20	PJ7410756	1	1						•Seal		
21	PJ7410603	2	2						•O-ring		
22	VOE11715851	2	2						•Sealing		(PJ7410040)
23	PJ7418431	1	1						•Seal		(PJ7412984)
24	PJ7410625	4	4						•Seal		

Date: 2013/11/23	Image id: A04Q1	Catalogue: 10001	Model: EC14
Brand: Volvo	Serial: 10151-21500, 21501-99999	Group/Section: 211/100	Title: Cylinder head



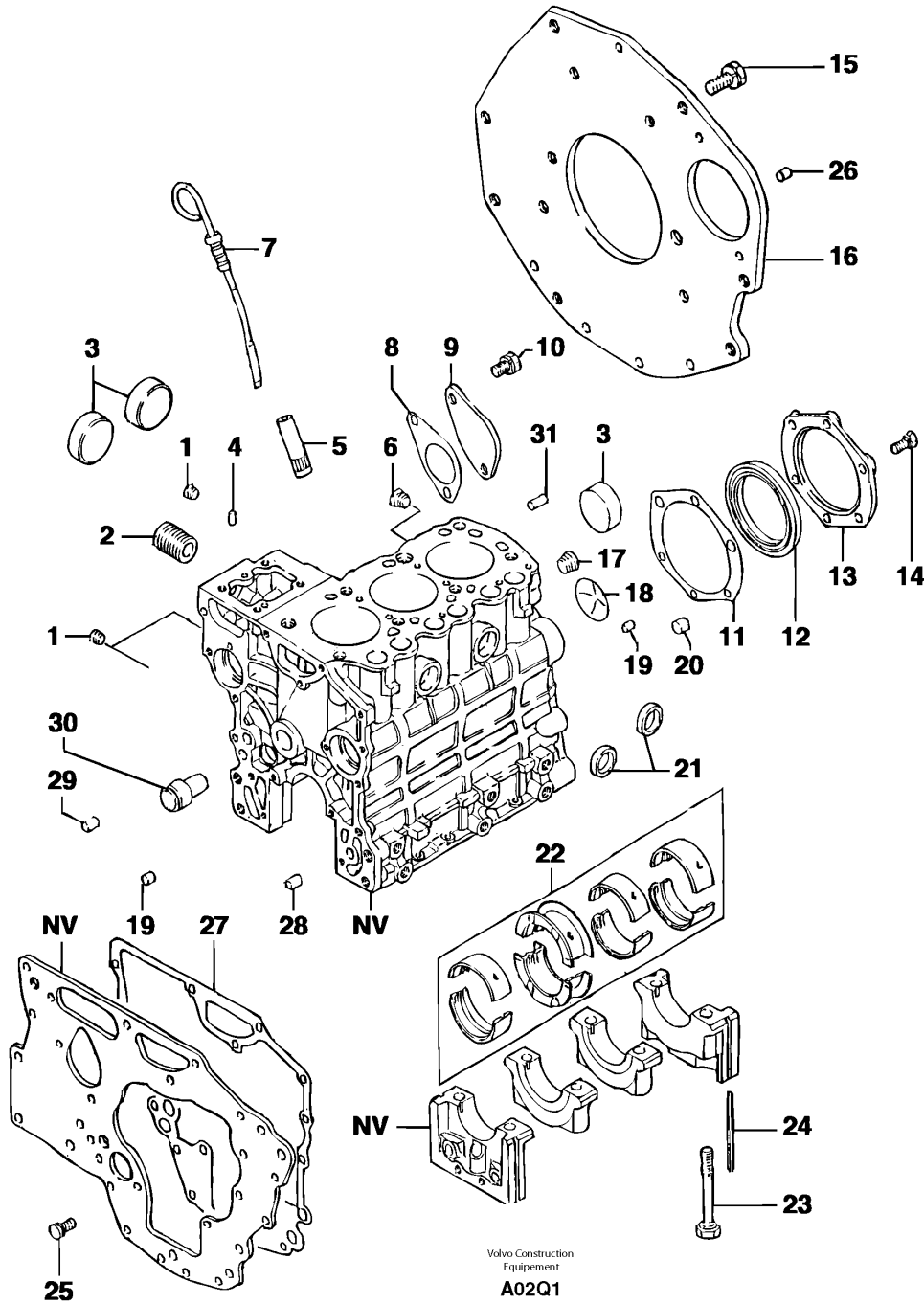
Volvo Construction
Equipment
A04Q1

Q1-Q5	Option	Option description	
-------	--------	--------------------	--

Q1 246.21501			
Q2 271.10151			

Pos	Part	Q1	Q2	Q3	Q4	Q5	PS	Kit	Description	Option(s)	Remark
1	PJ7410665	1	1						Tube		
2	PJ7410034	1	1						Nipple		
5	PJ7410599	2	2						Nut		
6	PJ7410123	2	2				SS		Washer		
8	PJ7412914	1	1						Seal		
9	PJ7410587	3	3						Bolt		
10	PJ7410609	3	3						Sealing		INCL IN 15
11	PJ7410619	8	8				SS		Bolt		
12	PJ7415738	1	1						Cyl Head Gasket		
13	PJ7410577	1	1						Plug		INCL IN 15
14	PJ7410691	1	1						Plug		
15	PJ7415180	1	1				SS		Cylinder head		
16	PJ7410611	6	6						•Giude		
17	VOE11712227	1	1						Cap		(PJ7414925)
18	PJ7414919	1	1						Cover		

Date: 2013/11/23	Image id: A02Q1	Catalogue: 10001	Model: EC14
Brand: Volvo	Serial: 10151-21500, 21501-99999	Group/Section: 212/100	Title: Cylinder block

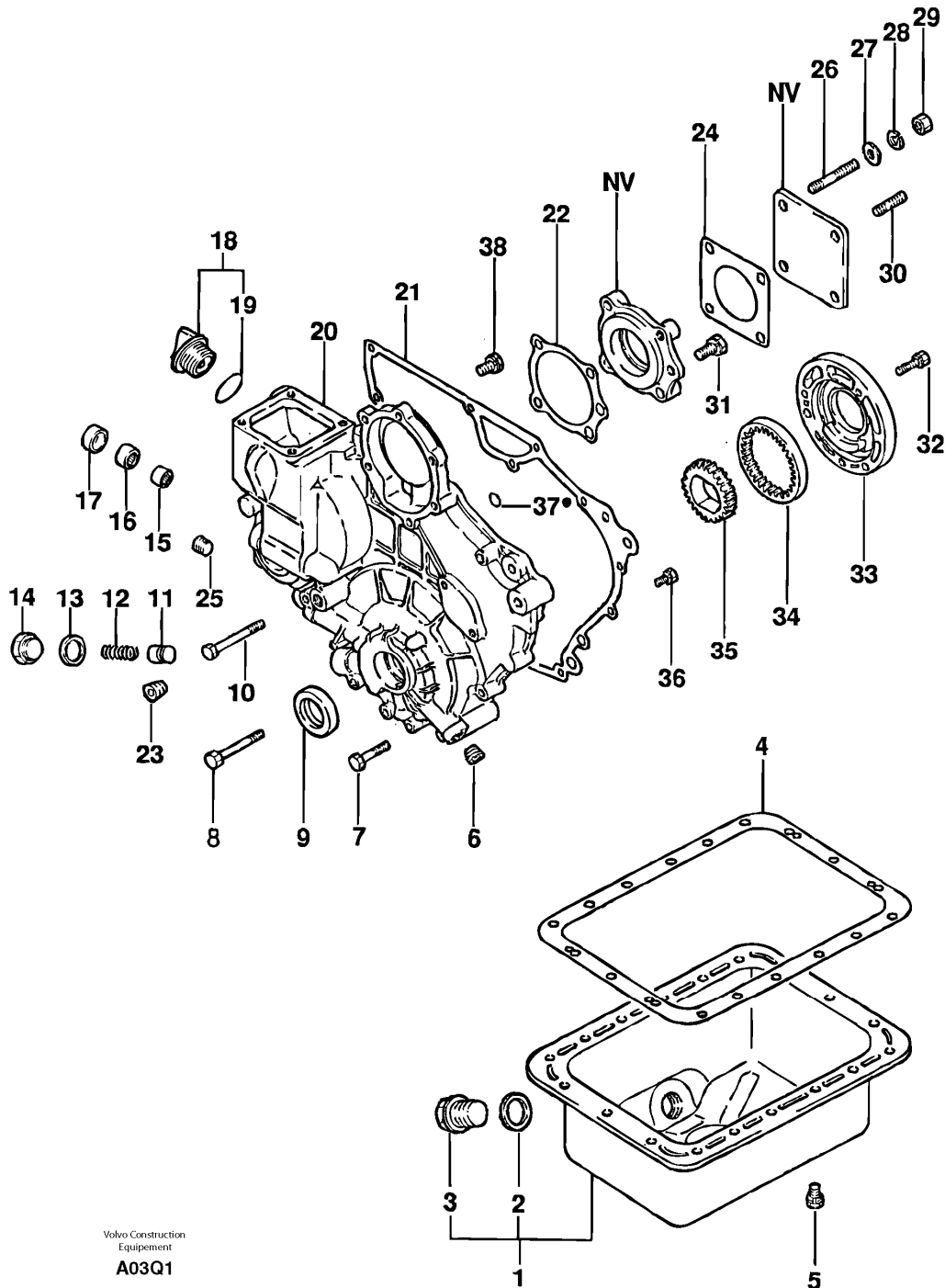


Q1-Q5	Option	Option description	
-------	--------	--------------------	--

Q1 246.21501			
Q2 271.10151			

Pos	Part	Q1	Q2	Q3	Q4	Q5	PS	Kit	Description	Option(s)	Remark
1	PJ7410584	3	3				SS		Plug		
2	PJ7410576	1	1						Stub Axle		
3	PJ7410577	3	3						Plug		
4	PJ7410287	2	2						Centraliser		
5	PJ7410315	1	1				SS		Giude		
6	PJ7410039	1	1						Plug		
7	PJ7410648	1	1						Dipstick		
8	PJ7410640	1	1				SS		Seal		
9	PJ7410639	1	1				OP		Plate		
10	PJ7410097	2	2				SS		Screw		
11	PJ7410626	1	1						Seal		
12	PJ7410585	1	1						Seal		
13	PJ7410615	1	1						Flange		
14	PJ7410591	6	6				SS		Screw		
15	PJ7410108	6	6				SS		Screw		
16	PJ7410672	1	1				OP		Plate		
17	PJ7410692	1	1						Plug		
18	PJ7410608	1	1						Plug		
19	PJ7410688	2	2						Bushing		
20	PJ7410690	3	3						Bushing		
21	PJ7410144	2	2						Plug		
22	PJ7413155	1	1						Bearings (kit)		STD SZ
22	PJ7413156	1	1						Bearings (kit)		0,25mm/0.0098in
22	PJ7413157	1	1						Bearings (kit)		0,50mm/0.0197in
23	PJ7410583	8	8						Bolt		
24	PJ7410625	4	4						Seal		
25	PJ7410101	7	7				SS		Screw		
26	PJ7412990	1	1						Centraliser		
27	PJ7410646	1	1						Seal		
28	PJ7410689	1	1						Bushing		
29	PJ7410404	2	2						Bushing		
30	PJ7415739	1	1						Shaft		
31	PJ7410129	1	1						Centraliser		

Date: 2013/11/23	Image id: A03Q1	Catalogue: 10001	Model: EC14
Brand: Volvo	Serial: 10151-21500, 21501-99999	Group/Section: 215/100	Title: Timing gear casing



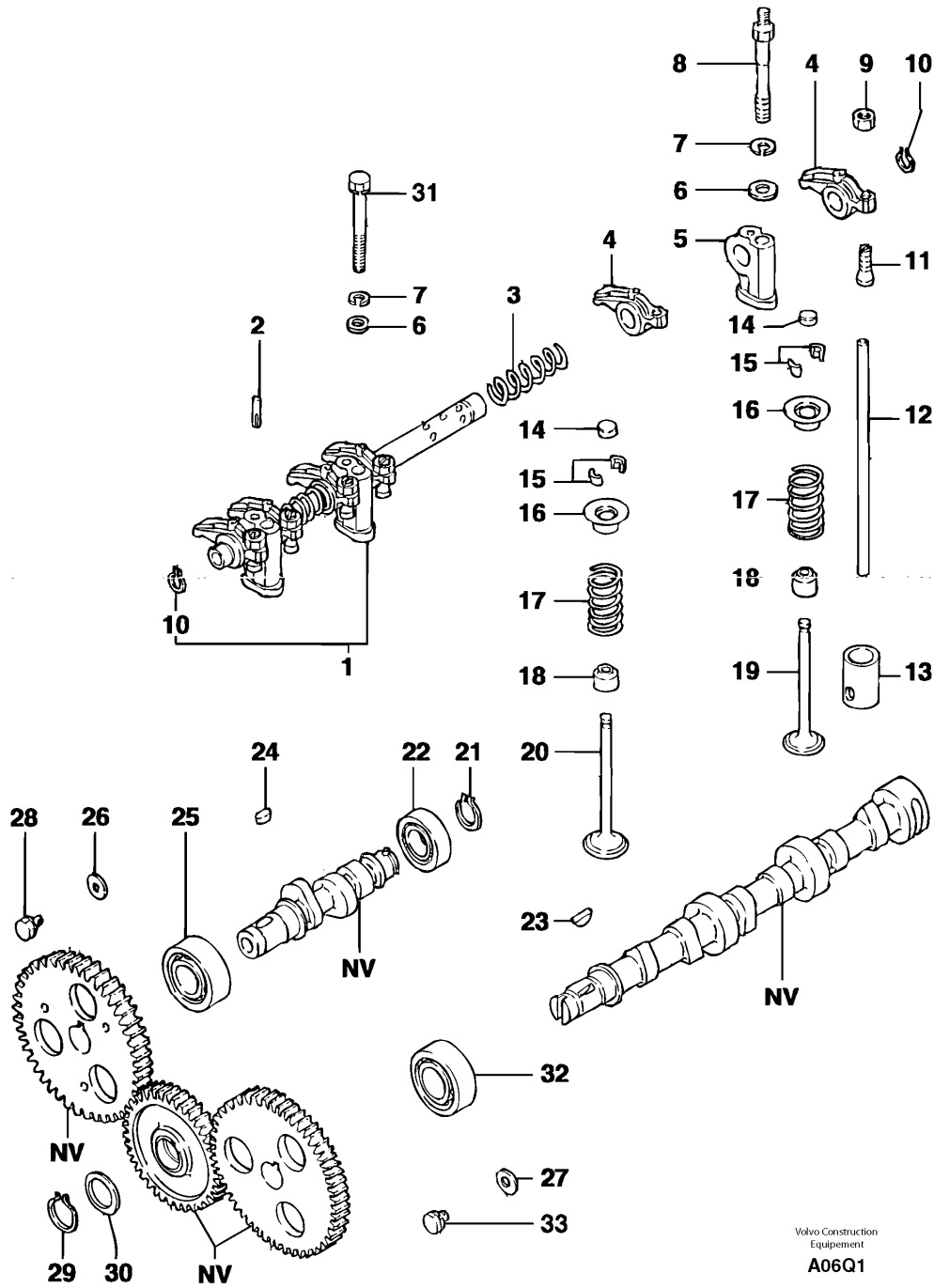
Volvo Construction
Equipment
A03Q1

Q1-Q5	Option	Option description
-------	--------	--------------------

Q1 246.21501			
Q2 271.10151			

Pos	Part	Q1	Q2	Q3	Q4	Q5	PS	Kit	Description	Option(s)	Remark
1	PJ7413163	1	1						Oil pan		
2	VOE11715851	1	1						•Sealing		(PJ7410040)
3	PJ7410041	1	1						•Plug		
4	PJ7418431	1	1						Seal		(PJ7412984)
5	PJ7410100	18	18				SS		Screw		
6	PJ7410408	1	1						Plug		
7	PJ7410592	3	3						Screw		
8	PJ7410593	4	4						Screw		
9	PJ7410580	1	1						Sealing		
10	PJ7410594	1	1						Screw		
11	PJ7410047	1	1						Plunger		
12	PJ7410659	1	1						Spring		
13	VOE11715851	1	1						Sealing		(PJ7410040)
14	PJ7410579	1	1						Plug		
15	PJ7410623	1	1						Needle bearing		
16	PJ7410624	1	1						Needle bearing		
17	PJ7410627	1	1						Plug		
18	VOE11716698	1	1						Oil Filler Cap		(PJ7410610)
19	PJ7410604	1	1				SS		•O-ring		
20	PJ7415741	1	1						Oil Pan		
21	PJ7418368	1	1						Seal		(PJ7410652)
22	PJ7410636	1	1						Seal		
23	PJ7410407	1	1				SS		Plug		
24	PJ7410177	1	1						Seal		
25	PJ7410691	1	1						Plug		
26	PJ7410401	3	3						Stud		
27	PJ7410124	4	4						Washer		
28	PJ7410126	4	4				SS		Lock Washer		
29	PJ7410117	4	4				SS		Nut		
30	PJ7410115	1	1						Stud		
31	PJ7410102	1	1				SS		Screw		
32	PJ7410506	3	3				SS		Screw		
33	PJ7410671	1	1						Oil pump housing		
34	PJ7410582	1	1						Crown Wheel		
35	PJ7410581	1	1						Pinion		
36	PJ7410101	4	4				SS		Screw		
37	PJ7410603	2	2						O-ring		
38	PJ7410097	3	3				SS		Screw		

Date: 2013/11/23	Image id: A06Q1	Catalogue: 10001	Model: EC14
Brand: Volvo	Serial: 10151-21500, 21501-99999	Group/Section: 215/300	Title: Timing gears



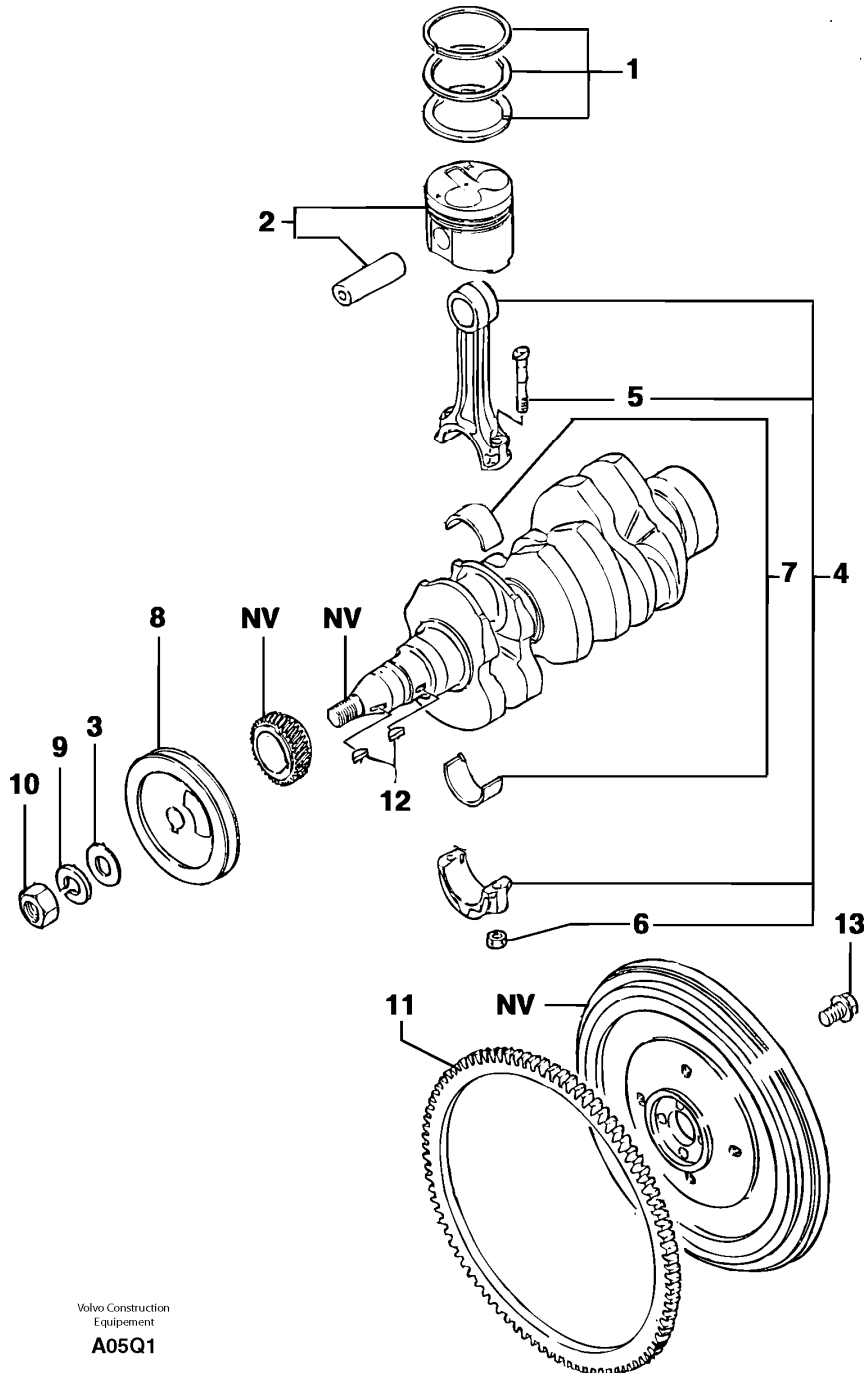
Volvo Construction
Equipment
A06Q1

Q1-Q5	Option	Option description
-------	--------	--------------------

Q1 246.21501			
Q2 271.10151			

Pos	Part	Q1	Q2	Q3	Q4	Q5	PS	Kit	Description	Option(s)	Remark
1	PJ7412983	1	1						Rocker Arm Shaft		
2	PJ7410622	1	1						Pin		
3	PJ7410612	2	2						Spring		
4	PJ7410657	6	6						Rocker Arm		
5	PJ7410613	3	3						Support		
6	PJ7410402	3	3						Washer		
7	PJ7410126	3	3				SS		Lock Washer		
8	PJ7410669	2	2						Stud		
9	PJ7410597	6	6				SS		Nut		
10	PJ7410605	2	2						Snap Ring		INCL IN 1
11	PJ7410658	6	6						Screw		
12	PJ7410656	6	6						Rod		
13	PJ7410651	6	6						Tappet		
14	PJ7414924	6	6						Cap		
15	PJ7410056	12	12						Stop		
16	PJ7410655	6	6						Washer		
17	PJ7410638	6	6						Spring		
18	PJ7410057	6	6				SS		Seal		
19	PJ7410621	3	3				SS		Exhaust Valve		
20	PJ7410620	3	3						Inlet valve		
21	PJ7410606	1	1						Snap Ring		
22	PJ7410618	1	1						Ball bearing		
23	PJ7410602	1	1						Key		
24	PJ7410131	1	1						Key		
25	PJ7410617	1	1						Ball bearing		
26	PJ7410629	1	1						Washer		
27	PJ7410629	1	1						Washer		
28	PJ7410100	1	1				SS		Screw		
29	PJ7415178	1	1						Snap Ring		
30	PJ7415183	1	1						Washer		
31	PJ7410093	1	1				SS		Screw		
32	PJ7410617	1	1						Ball bearing		
33	PJ7410100	1	1				SS		Screw		

Date: 2013/11/23	Image id: A05Q1	Catalogue: 10001	Model: EC14
Brand: Volvo	Serial: 10151-21500, 21501-99999	Group/Section: 216/100	Title: Pistons / connecting rods / crankshaft / flywheel

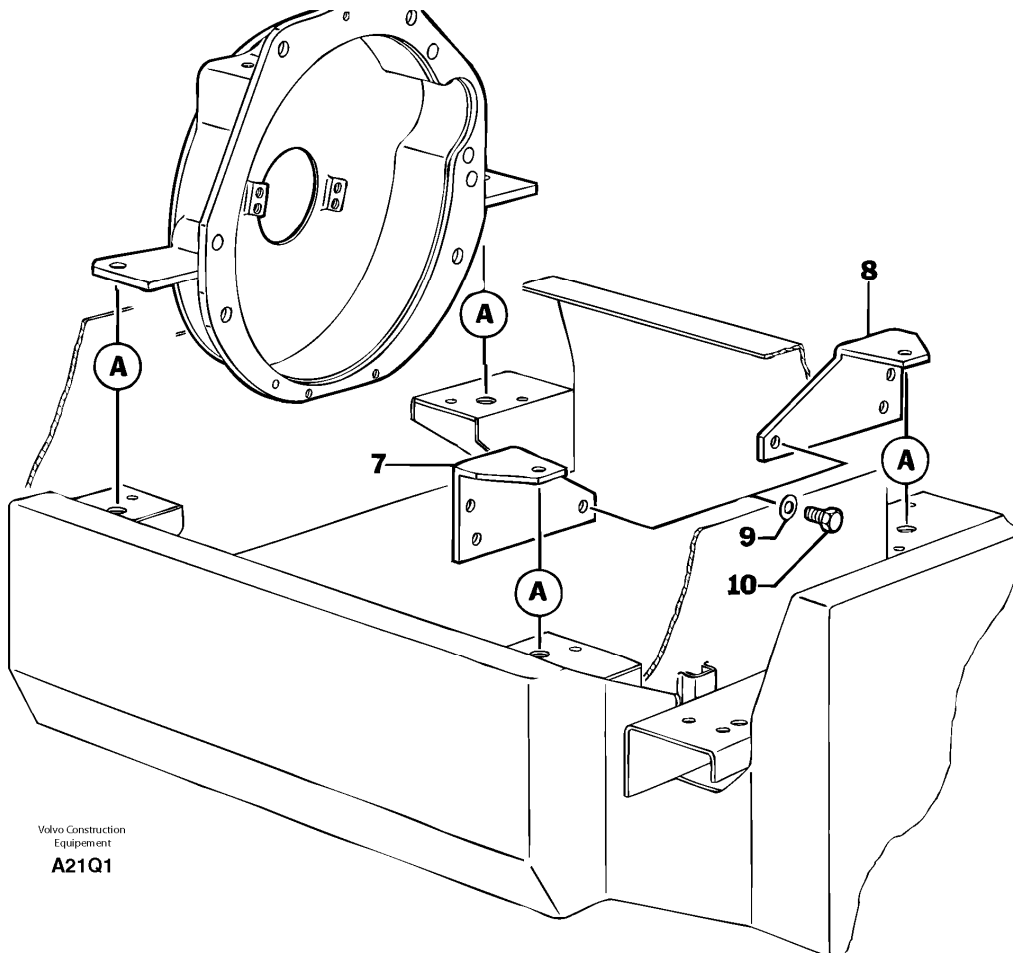
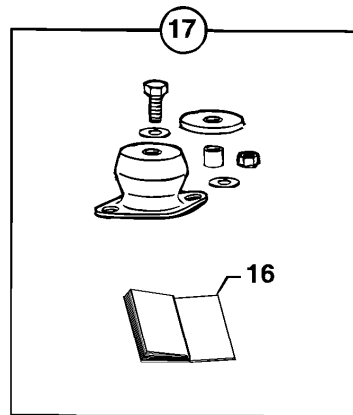
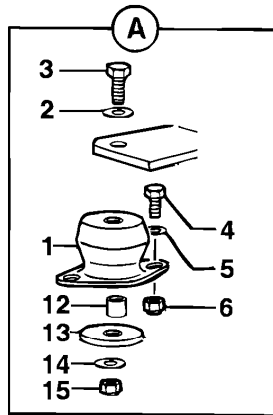


Q1-Q5	Option	Option description	
-------	--------	--------------------	--

Q1 246.21501			
Q2 271.10151			

Pos	Part	Q1	Q2	Q3	Q4	Q5	PS	Kit	Description	Option(s)	Remark
1	PJ7410666	3	3						Piston rings (kit)		STD SZ
1	PJ7411182	3	3						Piston rings (kit)		0,25mm/0.0098in
1	PJ7411183	3	3						Piston rings (kit)		0,50mm/0.0197in
2	PJ7415182	3	3						Piston		STD SZ
2	PJ7415742	3	3						Piston		0,25mm/0.0098in
2	PJ7415743	3	3						Piston		0,50mm/0.0197in
3	PJ7410600	1	1						Washer		
4	PJ7415744	3	3				SS		Piston rod		
5	PJ7415819	2	2						•Screw		
6	PJ7410045	2	2						•Nut		
7	VOE11716691	3	3						Connecting Rod		(PJ7413017)STD SZ
7	VOE11716692	3	3						Connecting Rod		(PJ7413018) 0,25mm/0.0098in
7	PJ7411185	3	3						Bearings (kit)		(PJ7413019) 0,50mm/0.0197in
8	PJ7415745	1	1						Pulley		
9	PJ7410601	1	1						Lock Washer		
10	PJ7410598	1	1						Nut		
11	PJ7410588	1	1						Tooth Wheel		
12	PJ7410602	2	2						Key		
13	PJ7410589	4	4				SS		Screw		

Date: 2013/11/23	Image id: A21Q1	Catalogue: 10001	Model: EC14
Brand: Volvo	Serial: 10151-21500, 21501-99999	Group/Section: 218/100	Title: Engine mounts



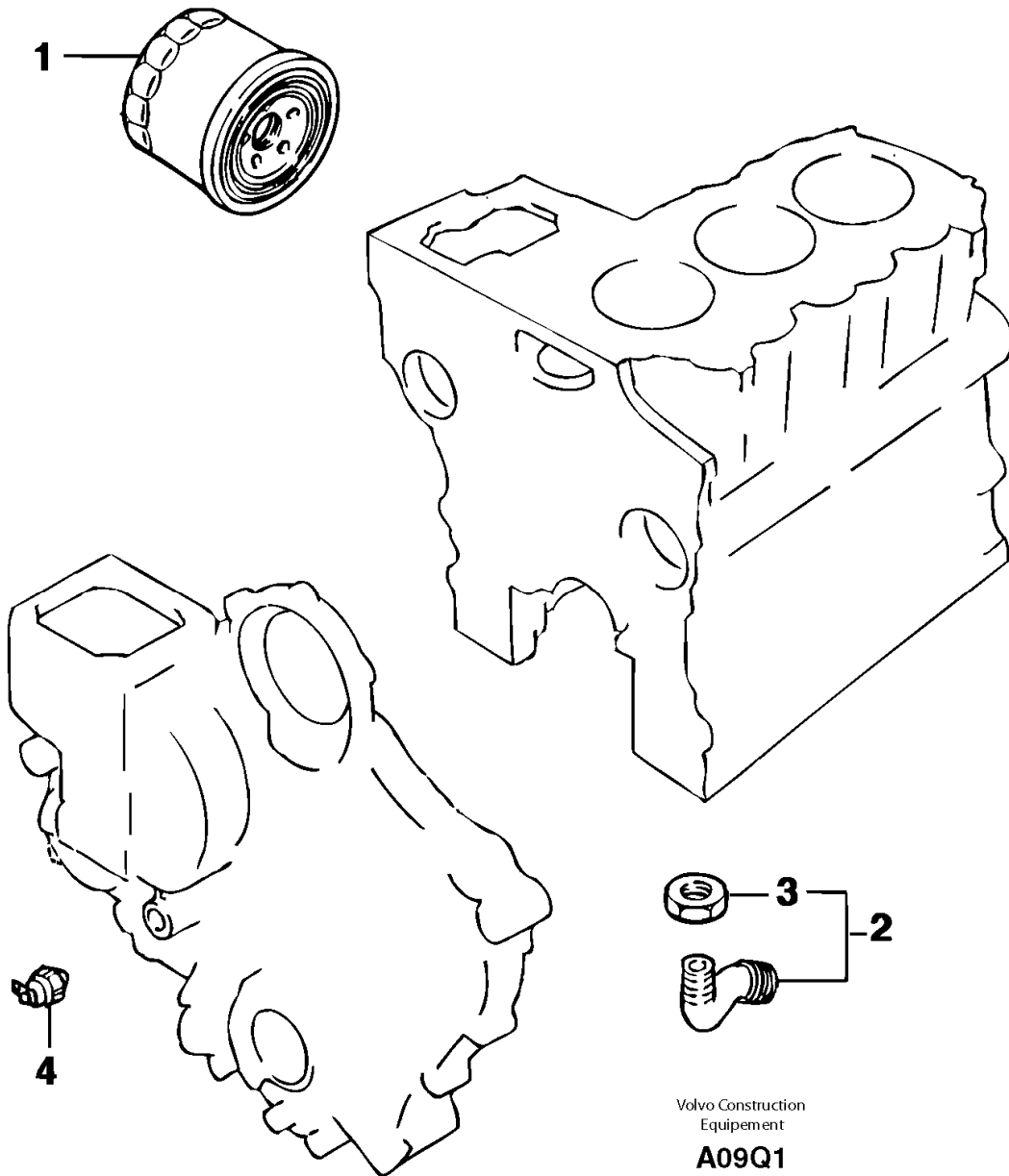
Volvo Construction
Equipment
A21Q1

Q1-Q5	Option	Option description	
-------	--------	--------------------	--

Q1 246.21501			
Q2 271.10151			

Pos	Part	Q1	Q2	Q3	Q4	Q5	PS	Kit	Description	Option(s)	Remark
1	PJ5140282	4	4						Suspension		INCL IN 17
2	VOE11804249	4	4						Washer		(PJ4490002)INCL IN 17, M12
3	PJ4380369	4	4						Screw		INCL IN 17, HM12X80
4	PJ4380043	8	8				SS		Screw		HM8X20
5	VOE13955894	8	8						Washer		(PJ4460025)MU8
6	VOE948645	8	8						Flange lock nut		(PJ4450008)NYLSTOP M8
7	PJ3560338	1	1						Support		
8	PJ3560339	1	1						Support		
9	VOE11807554	6	6						Washer		(PJ4490003)M10
10	PJ4370015	6	6						Screw		HM10X25
11	PJ4460043	REQ	REQ						Washer		PJ 4460043
12	PJ3920080	4	4						Spacer		INCL IN 17
13	VOE11805789	4	4						Washer		(PJ5540050)INCL IN 17
14	VOE983336	4	4						Washer		(PJ4460039)INCL IN 17, MU12
15	VOE11804239	4	4						Nut		(PJ4450077)INCL IN 17
16	PJ5400616	1	1						Instal. instruction		INCL IN 17
17	PJ6532088	1	1				SS		Repair Kit		S/N - 271.15889

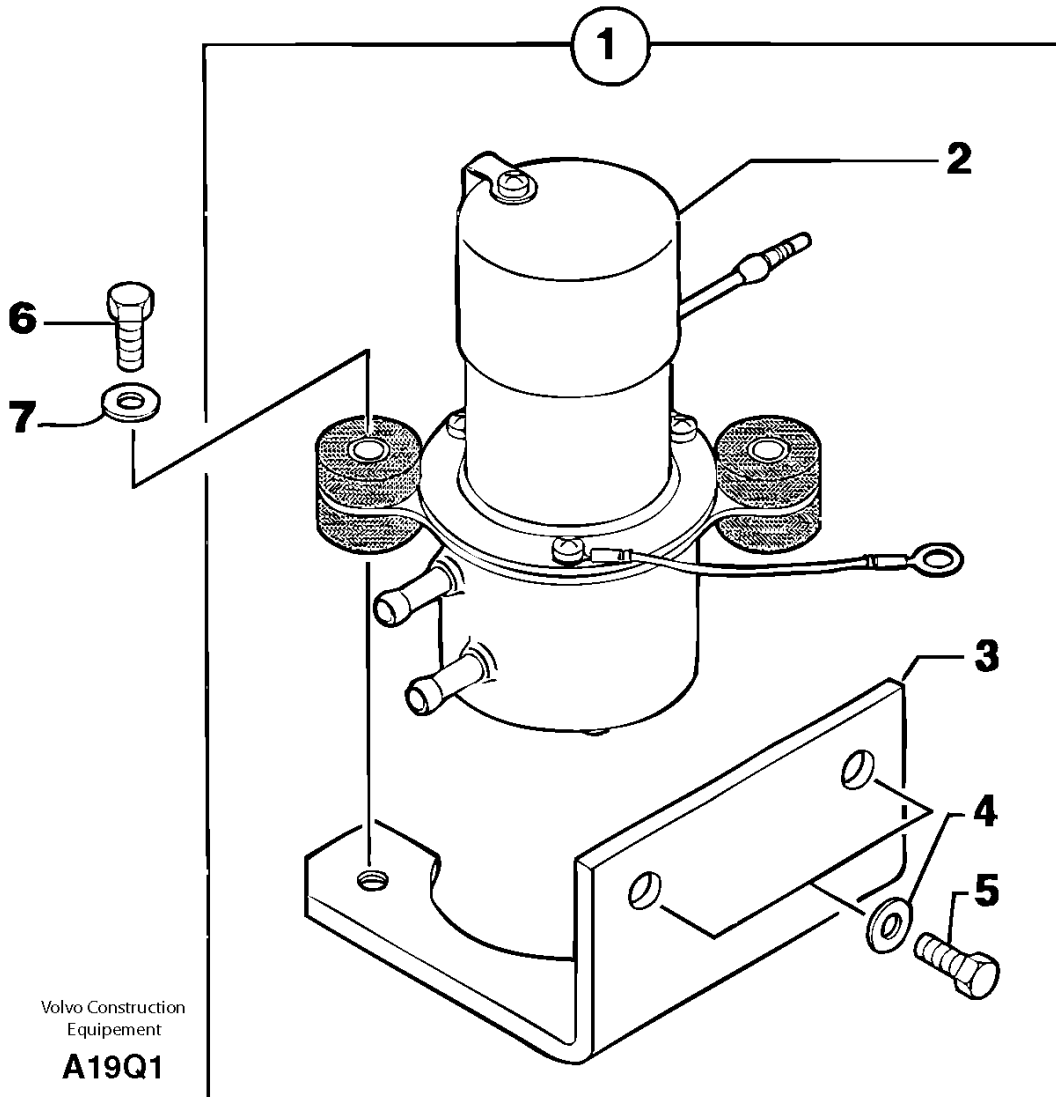
Date: 2013/11/23	Image id: A09Q1	Catalogue: 10001	Model: EC14
Brand: Volvo	Serial: 10151-21500, 21501-99999	Group/Section: 222/100	Title: Oil filter



Q1-Q5	Option	Option description	
Q1 246.21501			
Q2 271.10151			

Pos	Part	Q1	Q2	Q3	Q4	Q5	PS	Kit	Description	Option(s)	Remark
1	VOE11715849	1	1						Oil filter		(PJ7410062)
1	PJ7410062/20	1	1				SS		Filter Kit		
2	PJ7413011	1	1						Strainer		
3	PJ7410727	1	1						•Nut		
4	VOE15107743	1	1						Switch		(PJ7410748)

Date: 2013/11/23	Image id: A19Q1	Catalogue: 10001	Model: EC14
Brand: Volvo	Serial: 10151-21500, 21501-99999	Group/Section: 233/100	Title: Fuel pump

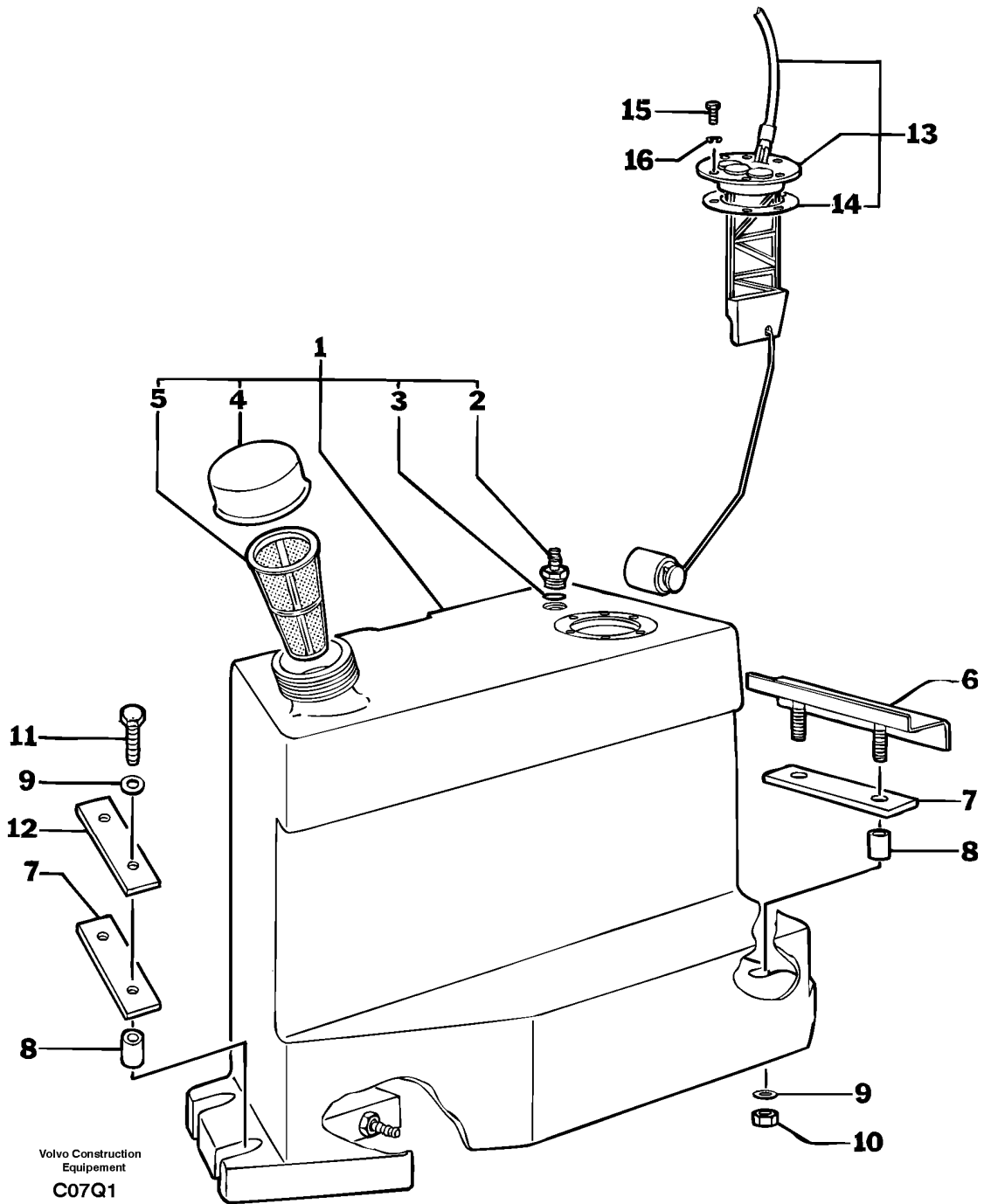


Q1-Q5	Option	Option description	
Q1 246.21501			
Q2 271.10151			

Pos	Part	Q1	Q2	Q3	Q4	Q5	PS	Kit	Description	Option(s)	Remark
1	PJ6530247	1	1				SS		Fuel Pump Kit		

2	PJ5150005	1	1						•Fuel pump		
3	PJ3560449	1	1						•Support		
4	VOE955892	2	2						•Washer		(PJ4460018)MU6
5	PJ4380031	2	2						•Screw		HM6X16
6	PJ4380033	2	2						Screw		HM6X25
7	VOE11806142	2	2						Washer		(PJ4490014)M6

Date: 2013/11/23	Image id: C07Q1	Catalogue: 10001	Model: EC14
Brand: Volvo	Serial: 10151-21500, 21501-99999	Group/Section: 234/100	Title: Gas-oil tank

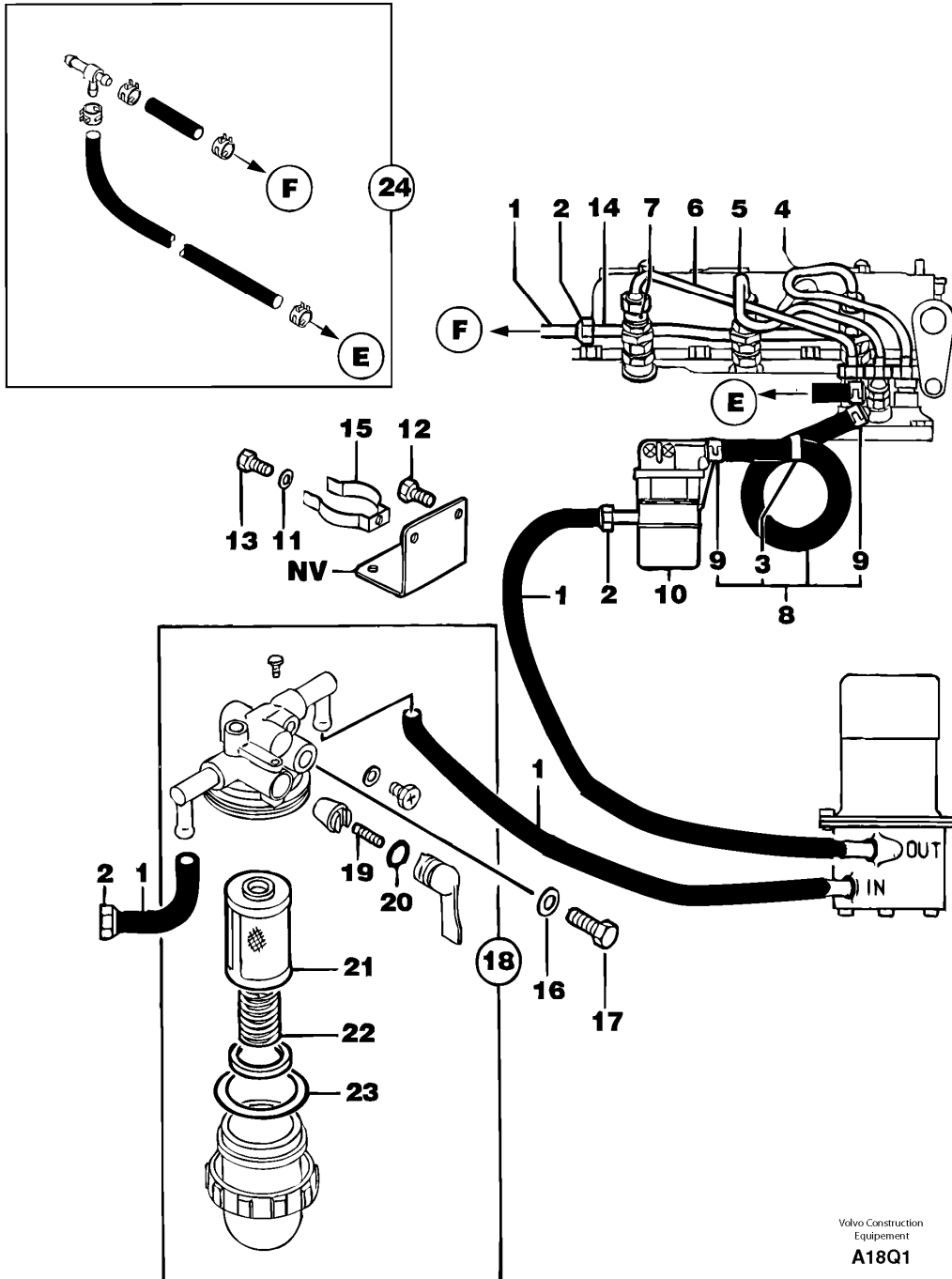


Q1-Q5	Option	Option description	
-------	--------	--------------------	--

Q1 246.21501			
Q2 271.10151			

Pos	Part	Q1	Q2	Q3	Q4	Q5	PS	Kit	Description	Option(s)	Remark
1	PJ5020034	1	1						Fuel tank		
2	PJ4750268	2	2						•Sprt Brg Shaft		
3	VOE11800699	2	2				OP		•Seal		
4	PJ4740065	1	1						•Filler cap		
5	PJ6050081	1	1						•Strainer		
6	PJ3810794	1	1						Apron		
7	PJ5140158	2	2						Rubber band		
8	PJ3920038	4	4						Spacer		
9	VOE11807554	4	4						Washer		(PJ4490003)M10
10	VOE983304	2	2						Hexagon nut		(PJ4410020)HM10
11	PJ4380058	2	2						Screw		HM10X60
12	PJ3310184	1	1						Plate		
13	PJ5130040	1	1						Sender		
14	PJ7412957	1	1						•Sealing		
15	VOE955228	6	6						Hexagon screw		(PJ4380010)HM4X16
16	PJ4470005	6	6						Lock Washer		W4

Date: 2013/11/23	Image id: A18Q1	Catalogue: 10001	Model: EC14
Brand: Volvo	Serial: 10151-21500, 21501-99999	Group/Section: 235/100	Title: Fuel circuit

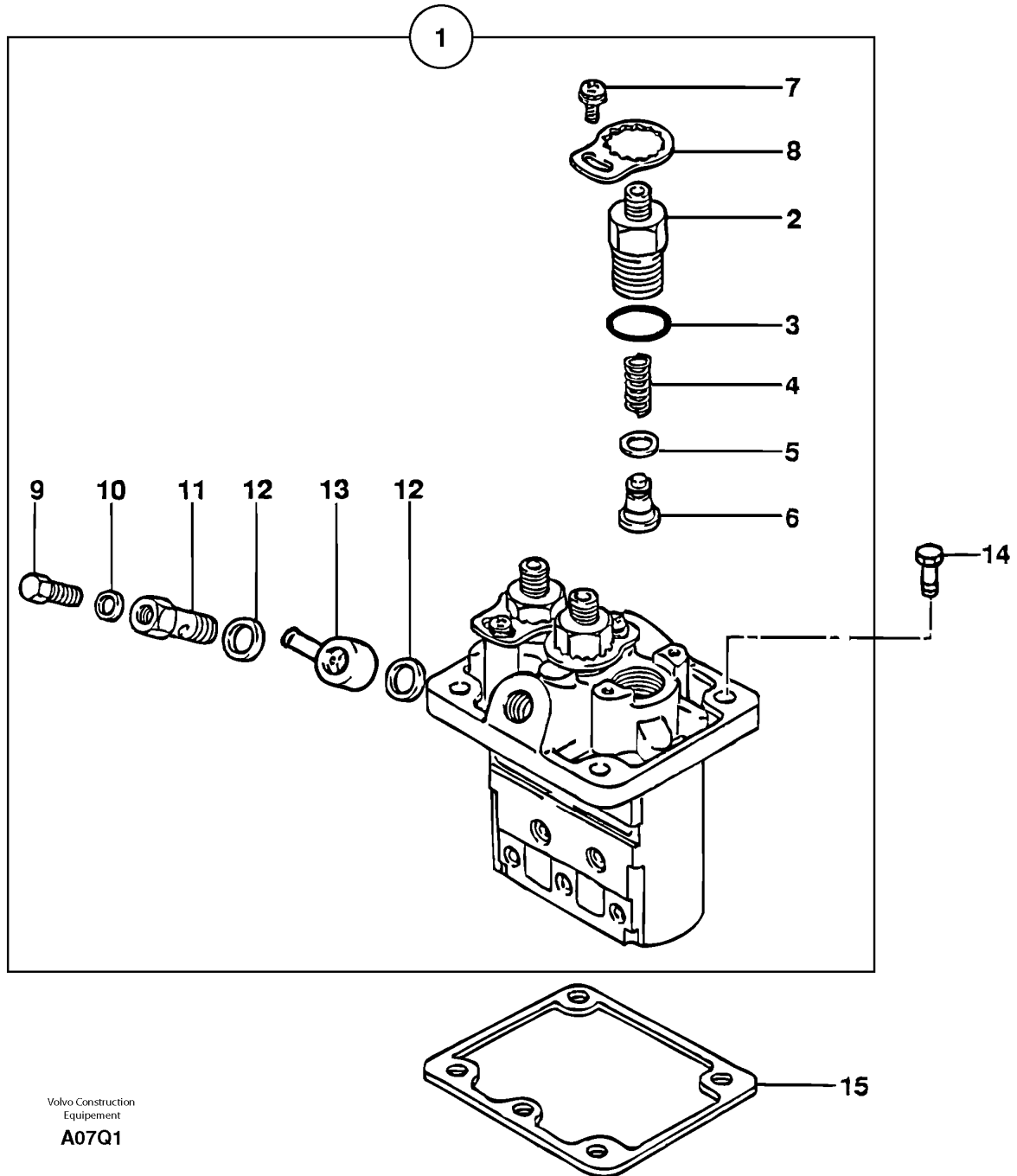


Q1-Q5	Option	Option description	
-------	--------	--------------------	--

Q1 246.21501			
Q2 271.10151			

Pos	Part	Q1	Q2	Q3	Q4	Q5	PS	Kit	Description	Option(s)	Remark
1	VOE11801991	REQ	REQ						Tube		(PJ2360015)
2	VOE11806174	3	3						Clamp		(PJ4690040)
3	PJ7412902	1	1						Clamp		INCL IN 8
4	PJ7410753	1	1						Injection pipes		
5	PJ7410754	1	1						Injection pipes		
6	PJ7412908	1	1						Injection pipes		
7	PJ7410716	3	3						Nut		
8	PJ7413150	1	3						Tube		
9	PJ7412929	2	2						•Clamp		
10	PJ11715847	1	1						Fuel filter		
	PJ7410170	1	1						•Fuel filter		
10	PJ7410170/20	1	1				SS		Filter Kit		
11	PJ7410123	1	1				SS		Washer		
12	PJ7410097	2	2				SS		Screw		
13	PJ7410100	1	1				SS		Screw		
14	PJ7412913	1	1						Pipe		
15	PJ7410171	1	1						Flange		
16	PJ4490014	1	1						Washer		M6
17	PJ4380028	1	1						Screw		HM6X65
18	PJ6050073	1	1						Sediment bowl		
19	PJ7412905	1	1						•Spring		
20	PJ7412906	1	1						•O-ring		
21	PJ7412921	1	1						•Filter cartridge		
22	PJ7412922	1	1						•Spring		
23	VOE11715870	1	1						•O-ring		(PJ7412907)
24	PJ7415746	1	1				SS		Tube Assembly		

Date: 2013/11/23	Image id: A07Q1	Catalogue: 10001	Model: EC14
Brand: Volvo	Serial: 10151-21500, 21501-99999	Group/Section: 236/100	Title: Injection pump

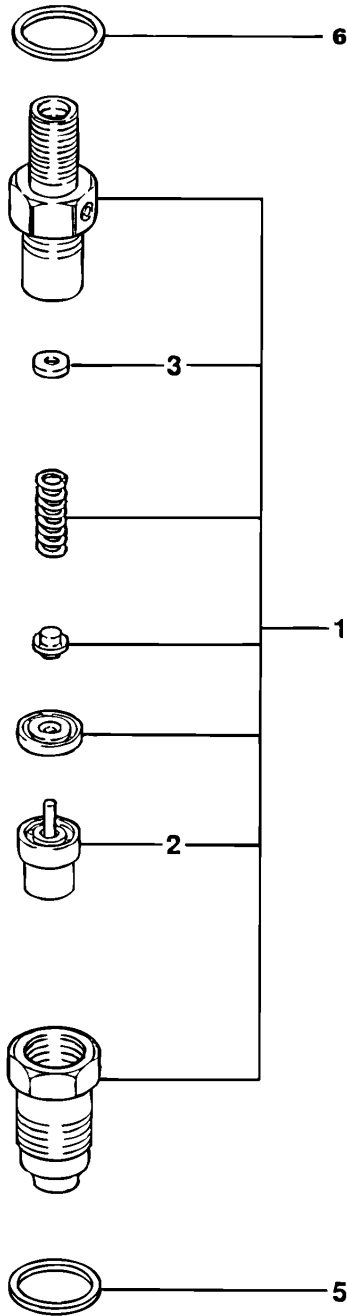


Q1-Q5	Option	Option description	
-------	--------	--------------------	--

Q1 246.21501			
Q2 271.10151			

Pos	Part	Q1	Q2	Q3	Q4	Q5	PS	Kit	Description	Option(s)	Remark
1	PJ7413168	1	1						Injection Pump		
2	PJ7410881	3	3						•Nipple		
3	PJ7410878	3	3						•O-ring		
4	PJ7410880	3	3						•Spring		
5	PJ7412098	3	3						•Seal		
6	PJ7412928	3	3						•Reed Valve		
7	PJ7413159	3	3						•Screw		
8	PJ7410813	3	3						•Retaining plate		
9	PJ7410810	1	1						•Screw		
10	PJ7410808	1	1						•Washer		
11	PJ7410811	1	1						•Hollow Screw		
12	PJ7410809	2	2						•Seal		
13	PJ7413158	1	1						•Nipple		
14	PJ7410725	4	4						Screw		
15	PJ7412909	REQ	REQ						Shim		THICK 0,2mm/0,0079in =
15	PJ7412910	REQ	REQ						Shim		THICK 0,3mm/0,0118in =
15	PJ7412915	REQ	REQ						Shim		THICK 0,4mm/0,0157in =
15	PJ7412911	REQ	REQ						Shim		THICK 0,5mm/0,0197in =
15	PJ7412916	REQ	REQ						Shim		THICK 0,6mm/0,0236in =
15	PJ7412917	REQ	REQ						Shim		THICK 0,7mm/0,0276in =
15	PJ7412918	REQ	REQ						Shim		THICK 0,8mm/0,0315in =
15	PJ7412919	REQ	REQ						Shim		THICK 0,9mm/0,0354in =
15	PJ7412920	REQ	REQ						Shim		THICK 1,0mm/0,0394in =

Date: 2013/11/23	Image id: A08Q1	Catalogue: 10001	Model: EC14
Brand: Volvo	Serial: 10151-21500, 21501-99999	Group/Section: 237/100	Title: Injector



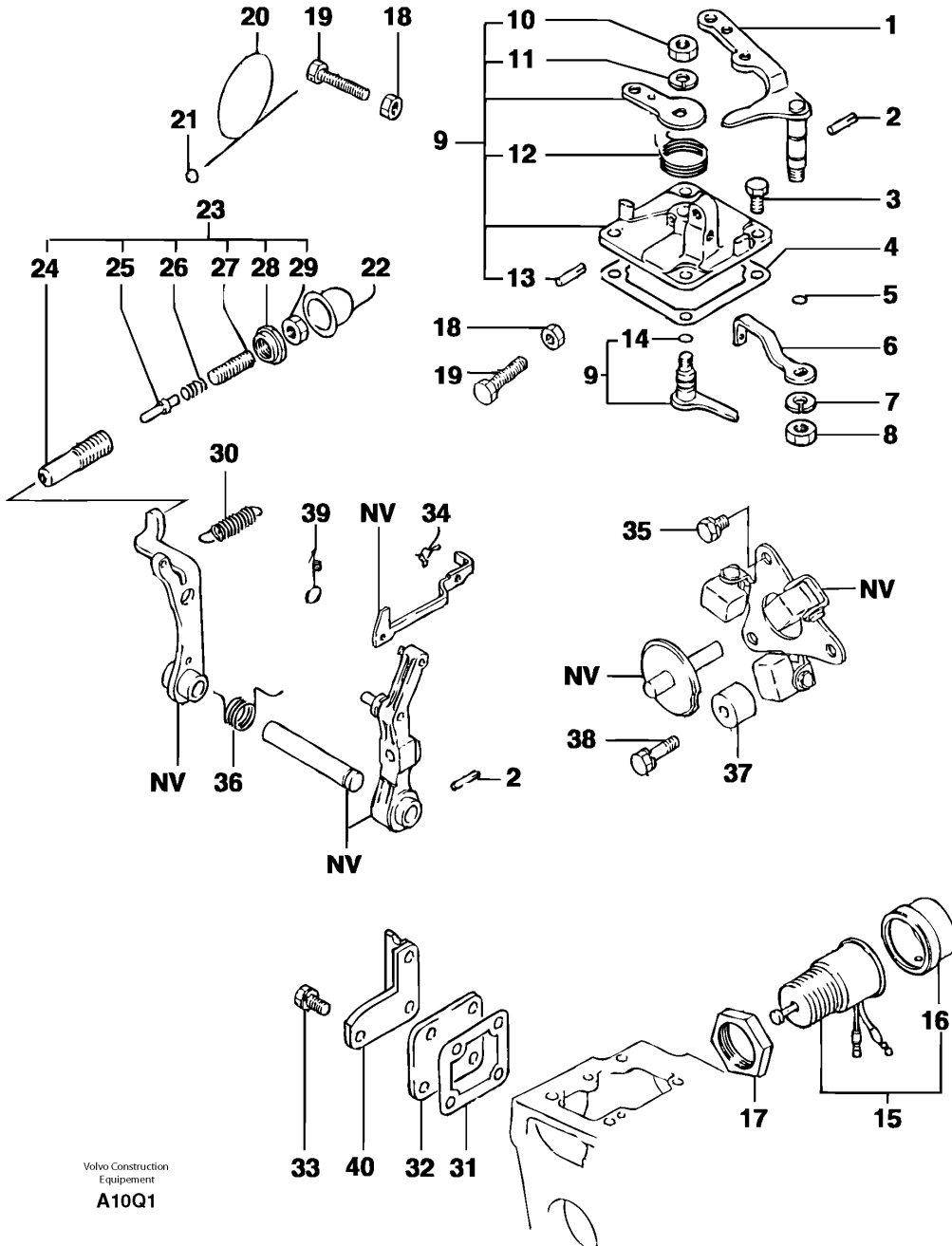
Volvo Construction
Equipment
A08Q1

Q1-Q5	Option	Option description	
-------	--------	--------------------	--

Q1 246.21501			
Q2 271.10151			

Pos	Part	Q1	Q2	Q3	Q4	Q5	PS	Kit	Description	Option(s)	Remark
1	PJ7413007	3	3						Injector		
2	PJ7410590	1	1						Nozzle		
3	PJ7410676	REQ	REQ						Washer		THICK 1,25mm/0,0492in =
3	PJ7410677	REQ	REQ						Washer		THICK 1,30mm/0,0512in =
3	PJ7410678	REQ	REQ						Washer		THICK 1,35mm/0,0531in =
3	PJ7410679	REQ	REQ						Washer		THICK 1,40mm/0,0551in =
3	PJ7410680	REQ	REQ						Washer		THICK 1,45mm/0,0571in =
3	PJ7410681	REQ	REQ						Washer		THICK 1,50mm/0,0591in =
3	PJ7410682	REQ	REQ						Washer		THICK 1,55mm/0,0610in =
3	PJ7410683	REQ	REQ						Washer		THICK 1,60mm/0,0630in =
3	PJ7410684	REQ	REQ						Washer		THICK 1,65mm/0,0650in =
3	PJ7410685	REQ	REQ						Washer		THICK 1,70mm/0,0669in =
5	PJ7410718	3	3						Seal		
6	PJ7410717	3	3						Seal		

Date: 2013/11/23	Image id: A10Q1	Catalogue: 10001	Model: EC14
Brand: Volvo	Serial: 10151-21500, 21501-99999	Group/Section: 238/100	Title: Engine injection pump control

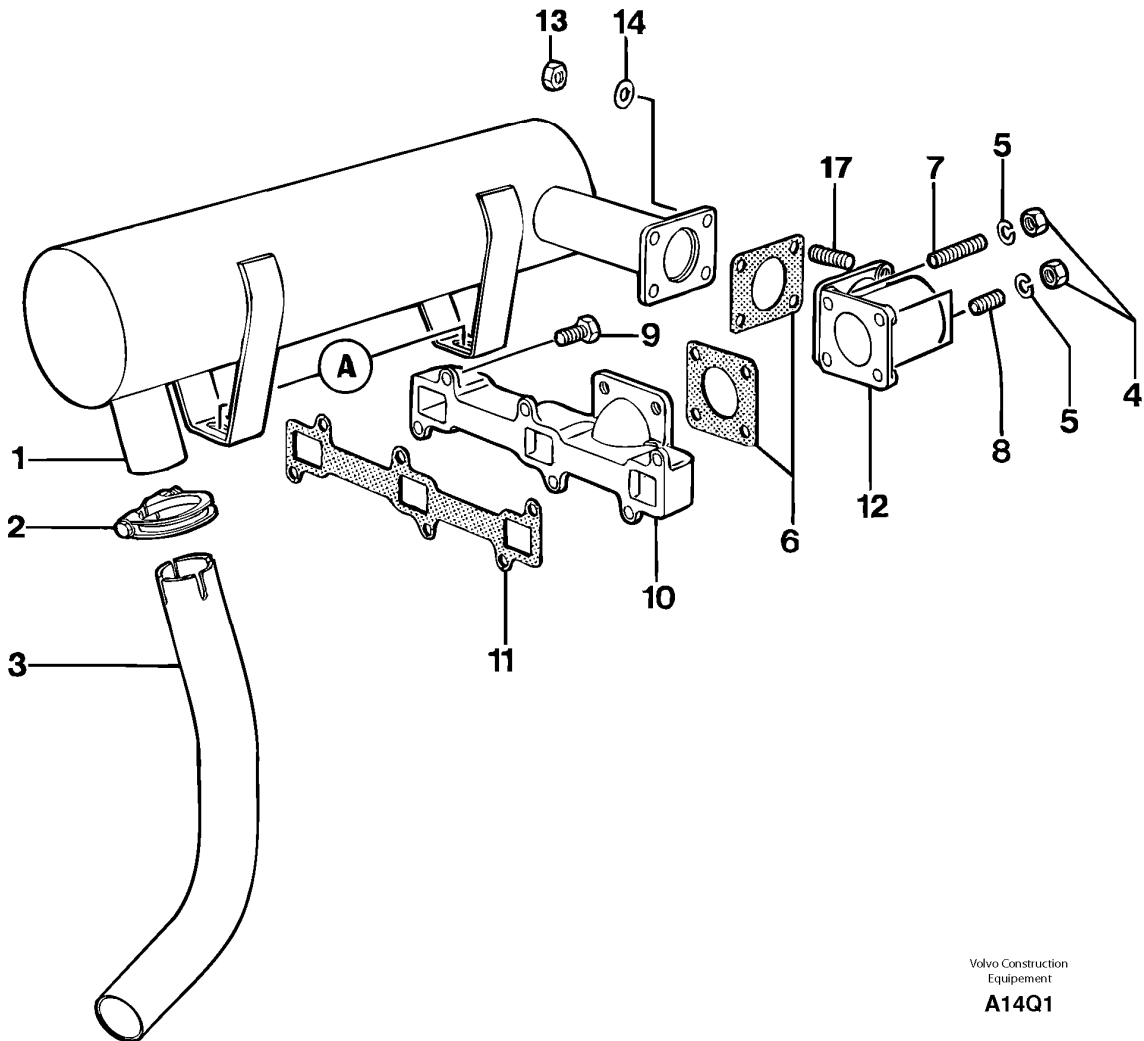
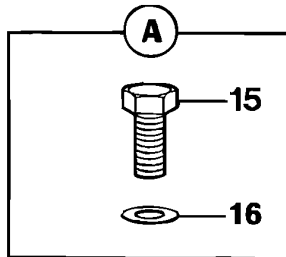


Q1-Q5	Option	Option description	
-------	--------	--------------------	--

Q1 246.21501			
Q2 271.10151			

Pos	Part	Q1	Q2	Q3	Q4	Q5	PS	Kit	Description	Option(s)	Remark
1	PJ7410788	1	1						Lever		
2	PJ7410742	2	2						Pin		
3	PJ7410720	4	4						Screw		
4	PJ7410783	1	1				SS		Seal		
5	PJ7410133	1	1						O-ring		
6	PJ7410768	1	1						Lever		
7	PJ7410126	1	1				SS		Lock Washer		
8	PJ7410120	1	1						Nut		
9	PJ7410778	1	1						Cover kit		
10	PJ7410120	1	1						•Nut		
11	PJ7410126	1	1				SS		•Lock Washer		
12	PJ7410780	1	1						•Spring		
13	PJ7410766	1	1						•Pin		
14	PJ7410133	1	1						•O-ring		
15	PJ7413147	1	1						Solenoid		
16	PJ7410292	1	1						Cap		
17	PJ7410289	1	1						Nut		
18	PJ7410116	2	2				SS		Nut		
19	PJ7410174	2	2						Screw		
20	PJ7410148	1	1						Wire		
21	PJ7410147	1	1						Seal		
22	PJ7410804	1	1						Cap		
23	PJ7413152	1	1						Regulator		
24	PJ7410786	1	1						•Threaded part		
25	PJ7413151	1	1						•Rod		
26	PJ7413149	1	1						•Spring		
27	PJ7410787	1	1						•Screw with pin		
28	PJ7410785	1	1				OP		•Nut		
29	PJ7410714	1	1						•Nut		
30	PJ7413179	1	1						Spring		
31	PJ7410767	1	1						Seal		
32	PJ7410805	1	1						Cover		
33	PJ7410101	4	4				SS		Screw		
34	PJ7410776	1	1						Fastener		
35	PJ7410099	2	2				SS		Screw		
36	PJ7413015	1	1						Spring		
37	PJ7410736	1	1						Bushing		
38	PJ7410726	1	1				SS		Screw		
39	PJ7412994	1	1						Spring		
40	PJ3610131	1							Support		
40	PJ3610131		1						Support		S/N - 271.18352
40	PJ3560624		1						Support		S/N 271.18353 -

Date: 2013/11/23	Image id: A14Q1	Catalogue: 10001	Model: EC14
Brand: Volvo	Serial: 10151-21500, 21501-99999	Group/Section: 251/100	Title: Exhaust manifold / muffler



Volvo Construction
Equipment
A14Q1

Q1-Q5	Option	Option description	
-------	--------	--------------------	--

Q1 246.21501			
Q2 271.10151			

Pos	Part	Q1	Q2	Q3	Q4	Q5	PS	Kit	Description	Option(s)	Remark
1	PJ5140155	1	1						Muffler		
1	PJ6530192	1	1				NS		Catalytic exhaust		
2	PJ4690014	1	1						Clamp		
3	PJ5140156	1	1						Tube		
4	VOE983303	4	4						Hexagon nut		(PJ4410016)HM8
5	PJ4470014	4	4						Lock Washer		W8
6	PJ7410238	2	2						Seal		
7	PJ7412888	2	2						Stud		
8	PJ7417191	2	2						Stud		
9	PJ7412887	6	6						Screw		
10	PJ7412893	1	1						Exhaust manifold		
11	PJ7412890	1	1						Seal		
12	PJ7412889	1	1						Output flange		
13	VOE983303	4	4						Hexagon nut		(PJ4410016)HM8
14	VOE13955894	4	4						Washer		(PJ4460025)MU8
15	PJ4380054	2	2						Screw		HM10X20
16	PJ4460035	2	2						Washer		LU10
17	PJ7410114	4	4						Stud		

Thank you so much for reading.
Please click the “Buy Now!”
button below to download the
complete manual.



After you pay.

You can download the most
perfect and complete manual in
the world immediately.

Our support email:

ebooklibonline@outlook.com