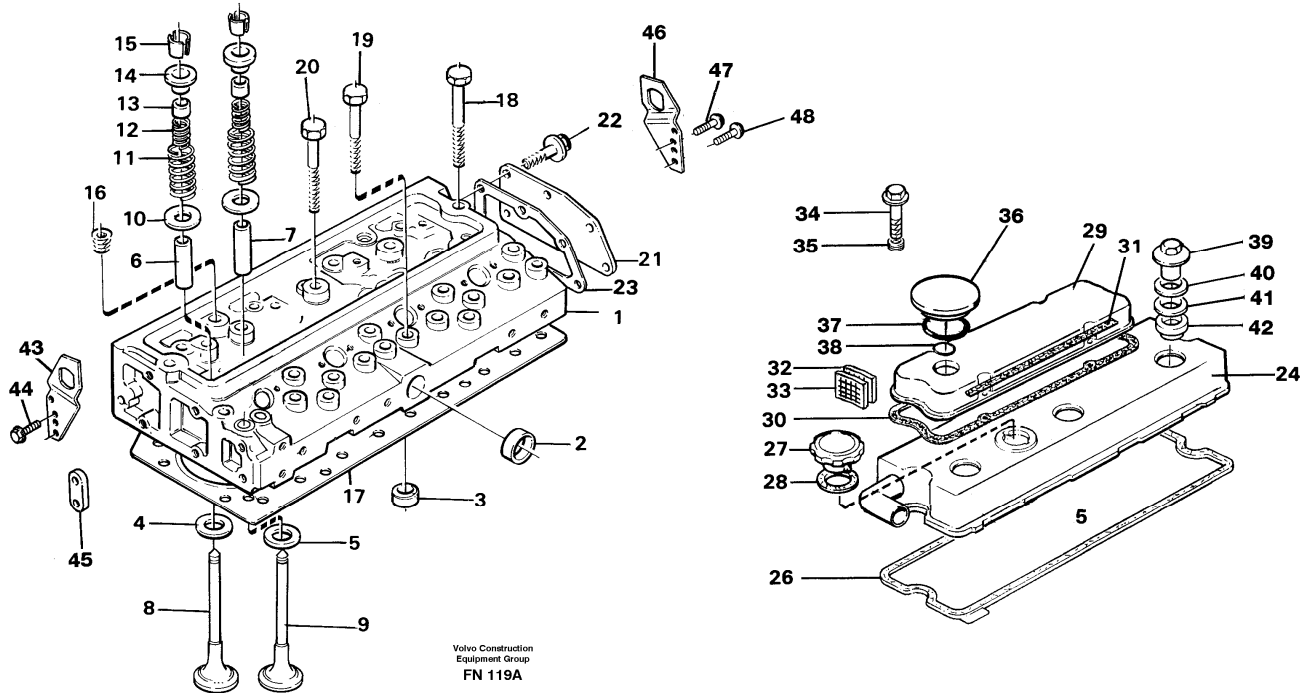


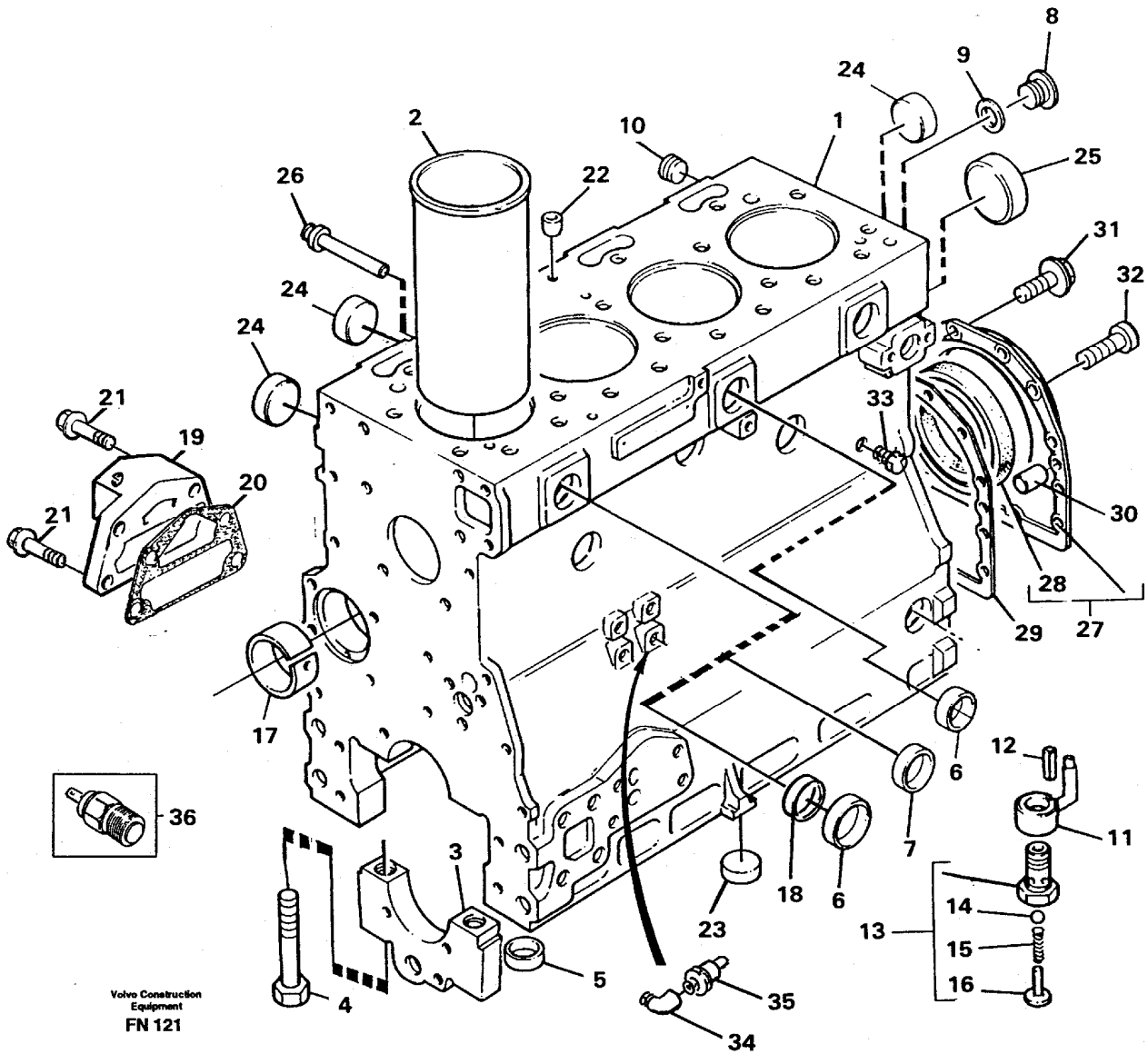
Date: 2013/10/9	Image id: FN119A	Catalogue: 99519	Model: EC150C
Brand: Åkerman	Serial: 201-253	Group/Section: 211/100	Title: Cylinder head



Pos	Part	Q1	Q2	Q3	Q4	Q5	PS	Kit	Description	Option(s)	Remark
	VOE11988380	1							Cylinder head		(VOE11701542)
1		1					NS		•Cylinder head		
2	VOE483898	1							•Plug		
3	VOE11997836	4							•Plug		
4	VOE11701543	4						K	•Valve seat		Inlet / Insug
5	VOE11701544	4						K	•Valve seat		Exhaust / Avgas
6	VOE11705294	4						K	•Valve guide		(VOE11999009)Inlet / Insug
7	VOE11705753	4						K	•Valve guide		(VOE11997842) Exhaust / avgas
8	VOE11997018	4						K	•Inlet valve		
9	VOE11997841	4						K	•Exhaust valve		
10	VOE6642514	8							•Washer		
11	VOE11991724	8							•Spring		
12	VOE11991725	8							•Spring		
13	VOE484071	8							•Sealing		
14	VOE11991726	8						K	•Spring plate		
15	VOE483530	16						K	•Valve sleeve		(VOE7483530)
16	VOE11997843	4							•Plug		

	VOE11702180	1							Overhaul kit		
17	VOE3976803	1							Gasket		(VOE11701545)
18	VOE11997844	2							Screw		
19	VOE11997845	8							Bolt		
20	VOE11997846	12							Bolt		
21	VOE11998044	1							Plate		
22	VOE946440	3							Flange screw		
23	VOE11998156	1							Gasket		
24	VOE11988387	1							Valve cover		(VOE11701584)
25	VOE11701585	1							•Connector		
26	VOE11701586	1							•Gasket		
27	VOE11701692	1							•Cover		
28	VOE11701588	1							•O-ring		
29	VOE11701589	1							•Cover		
30	VOE11701590	1							•Gasket		
31	VOE11998004	1							•Sealing		
32	VOE11701591	1							•Plastic foam sleeve		
33	VOE11701592	3							•Baffle		
34	VOE11701593	14							•Screw		
35	VOE11701594	4							•Insert		
36	VOE11701595	1							•Valve		
37	VOE11701596	1							•O-ring		
38	VOE11701597	1							•O-ring		
39	VOE11988395	3							•Nut		(VOE11999025)
40	VOE11701467	3					SS		•Washer		
41	VOE11997049	3							•Sealing ring		
42	VOE11998003	3							•Shim		
43	VOE11998148	1							Lifting plate		
44	VOE946329	2							Flange screw		
45	VOE11701654	1							Spacer		
46	VOE11998149	1							Lifting plate		
47	VOE946472	2							Flange screw		
48	VOE946441	2							Flange screw		

Date: 2013/10/9	Image id: FN121	Catalogue: 99519	Model: EC150C
Brand: Åkerman	Serial: 201-253	Group/Section: 212/100	Title: Cylinder block

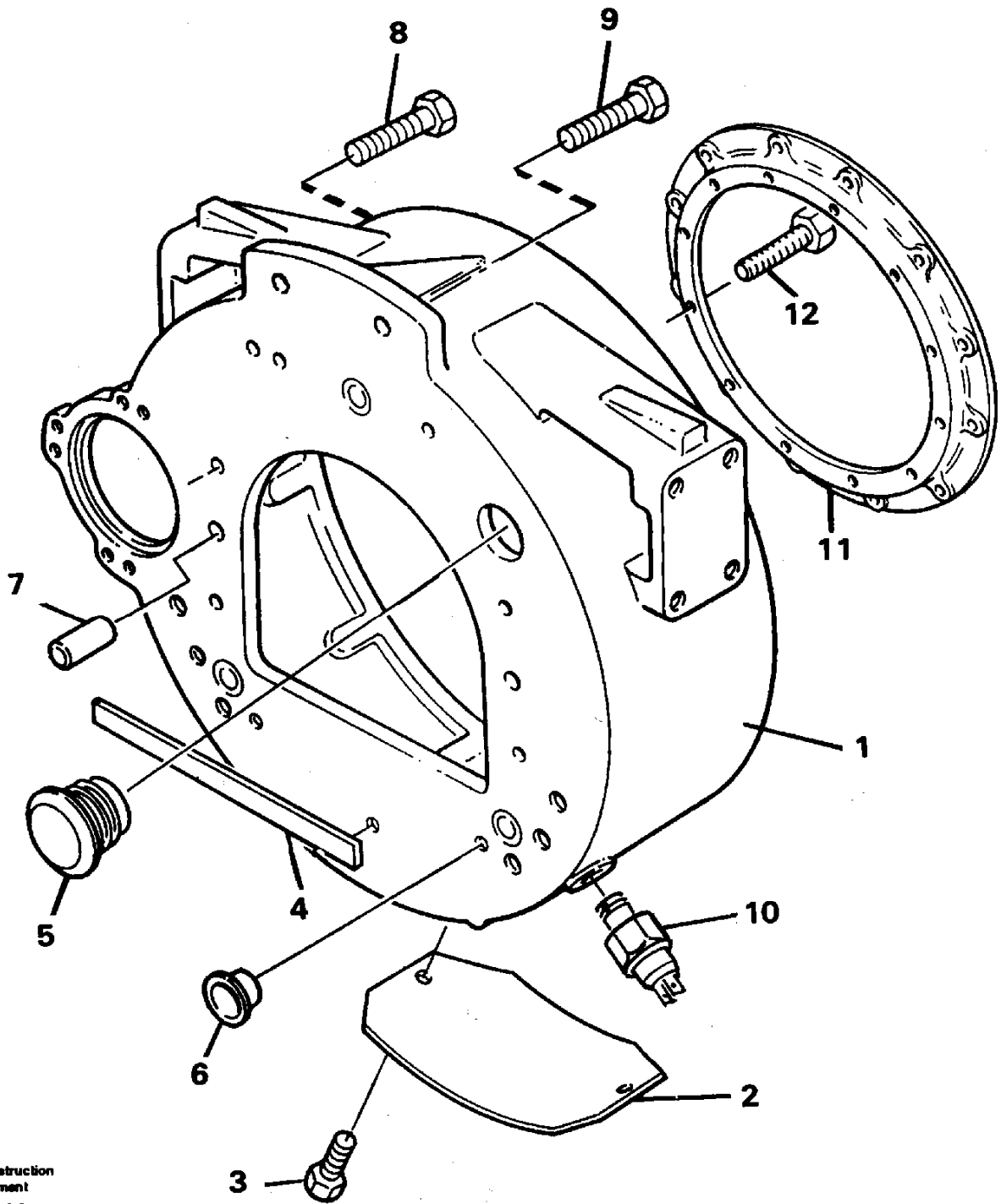


Volvo Construction
Equipment
FN 121

Pos	Part	Q1	Q2	Q3	Q4	Q5	PS	Kit	Description	Option(s)	Remark
1	VOE11704870	1					SS		Cylinder block		(VOE11701523)
2		4							•Cylinder liner		See ref 213/100
3		5					NS		•Bearing carrier		
4	VOE6210370	10							•Screw		
5	VOE483302	10							•Guide sleeve		
6	VOE483898	6							•Plug		
7	VOE11997805	1							•Plug		
8	VOE483445	1							•Plug		
9	VOE11997810	1							•Washer		

10	VOE968147	1							•Plug		(VOE13926886)
11	VOE11714691	4							•Nozzle		(VOE11997815)
12	VOE11997816	4							•Dowel		
13	VOE11997817	4							•Valve		
14	VOE11997818	4							••Ball		
15	VOE11997819	4							••Spring		
16	VOE11997820	4							••Retainer		
17	VOE3976506	1							•Bushing		(VOE11997806)
18	VOE11700782	1							•Plug		
19	VOE11998028	1							Adapter		
20	VOE11998009	1							Gasket		(VOE11998009)
21	VOE11998030	1							Screw		
21	VOE11998031	3							Screw		
22	VOE483645	1							Plug		
23	VOE6637386	1							Plug		
24	VOE11997807	9							Plug		
25	VOE11997809	1					SS		Plug		
26	VOE11997808	1							Plug		
27	VOE11998999	1							Cover		
28	VOE6212971	1							Sealing ring		
29	VOE11706327	1							Gasket		(VOE11997013)
30	VOE480219	2							Pin		
31	VOE13946173	12							Screw		(VOE946173)
32	VOE11997014	2							Screw		
33	VOE482291	2							Plug		
34	VOE16218	1							Nipple		
35	VOE11039249	1							Pressure monitor		
36	VOE11701568	1					SS		Switch		

Date: 2013/10/9	Image id: FN128	Catalogue: 99519	Model: EC150C
Brand: Åkerman	Serial: 201-253	Group/Section: 212/150	Title: Flywheel housing

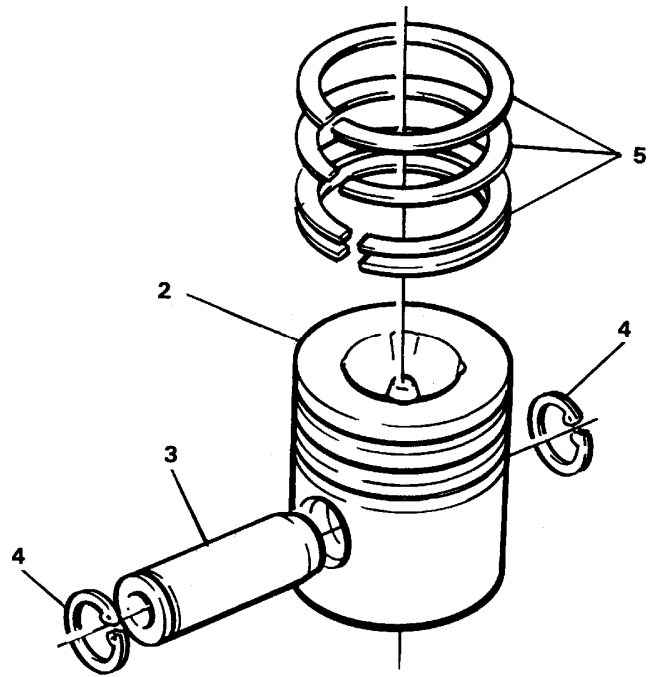
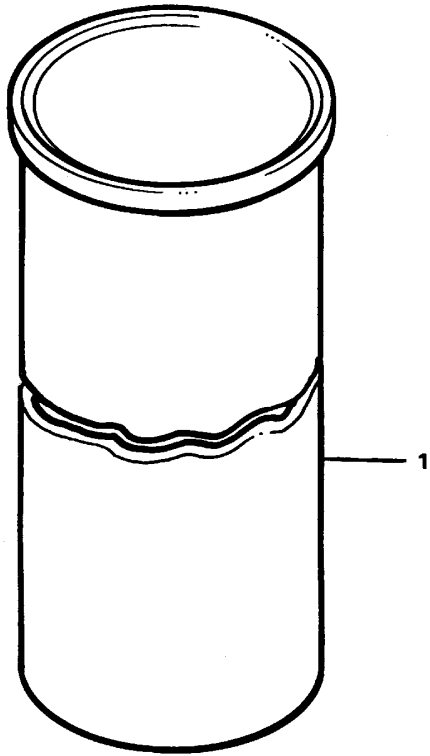


Volvo Construction
Equipment
FN 128

Pos	Part	Q1	Q2	Q3	Q4	Q5	PS	Kit	Description	Option(s)	Remark
1	VOE11997942	1					SS		Flywheel housing		
2		1					NS		Plate		

3	VOE11998909	2							Screw		
4	VOE6211401	1							Gasket		(VOE11702569)
5	VOE11709238	1							Plug		(VOE11702143)
6	VOE11997935	3							Plug		
7	VOE483449	2							Pin		
8	VOE11701723	6					SS		Screw		
9	VOE13965191	2							Screw		(VOE11997884)
10	VOE11039362	1							Induction sensor		
11	VOE11997258	1							Adapter ring		
12	VOE946329	12							Flange screw		

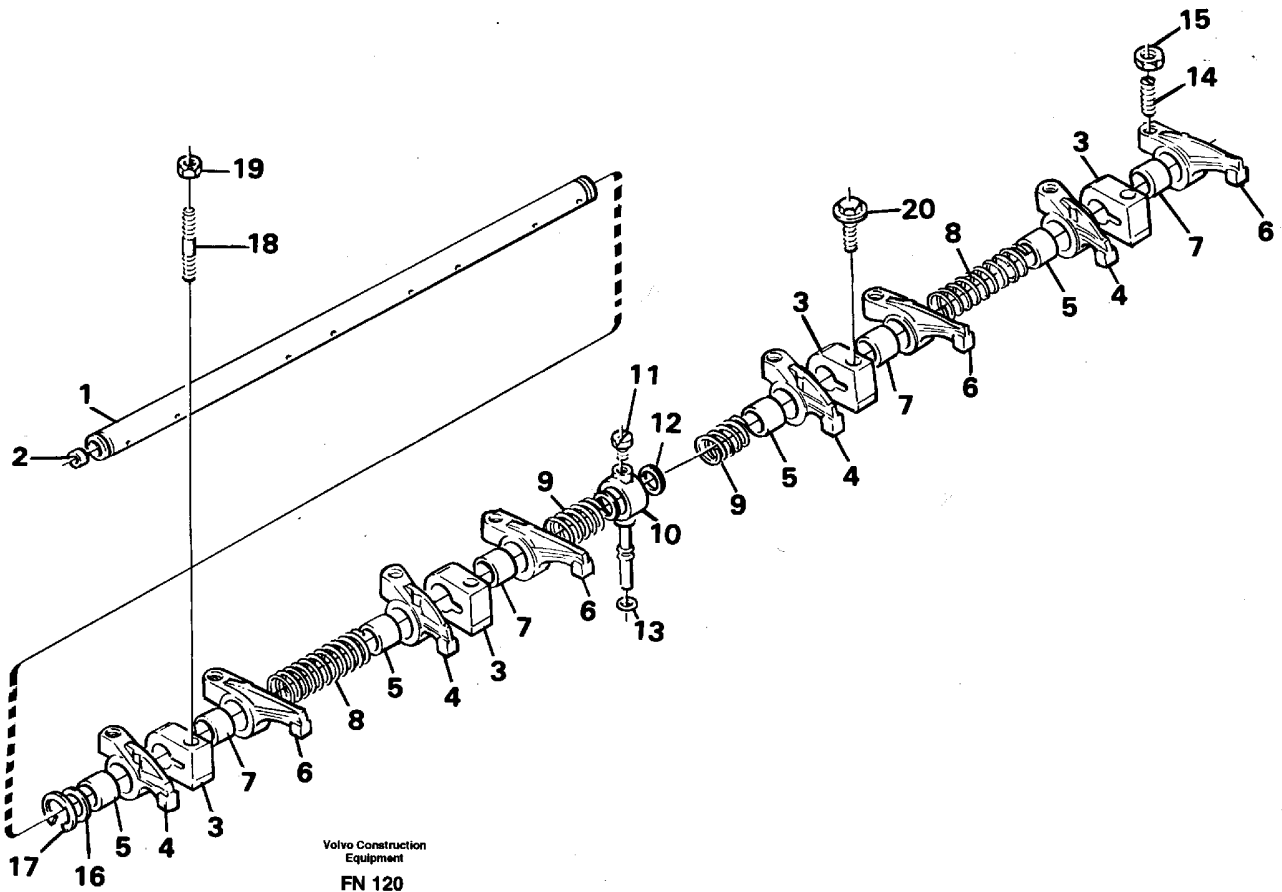
Date: 2013/10/9	Image id: FN122	Catalogue: 99519	Model: EC150C
Brand: Åkerman	Serial: 201-253	Group/Section: 213/100	Title: Cylinder liner and piston



Volvo Construction
Equipment
FN 122

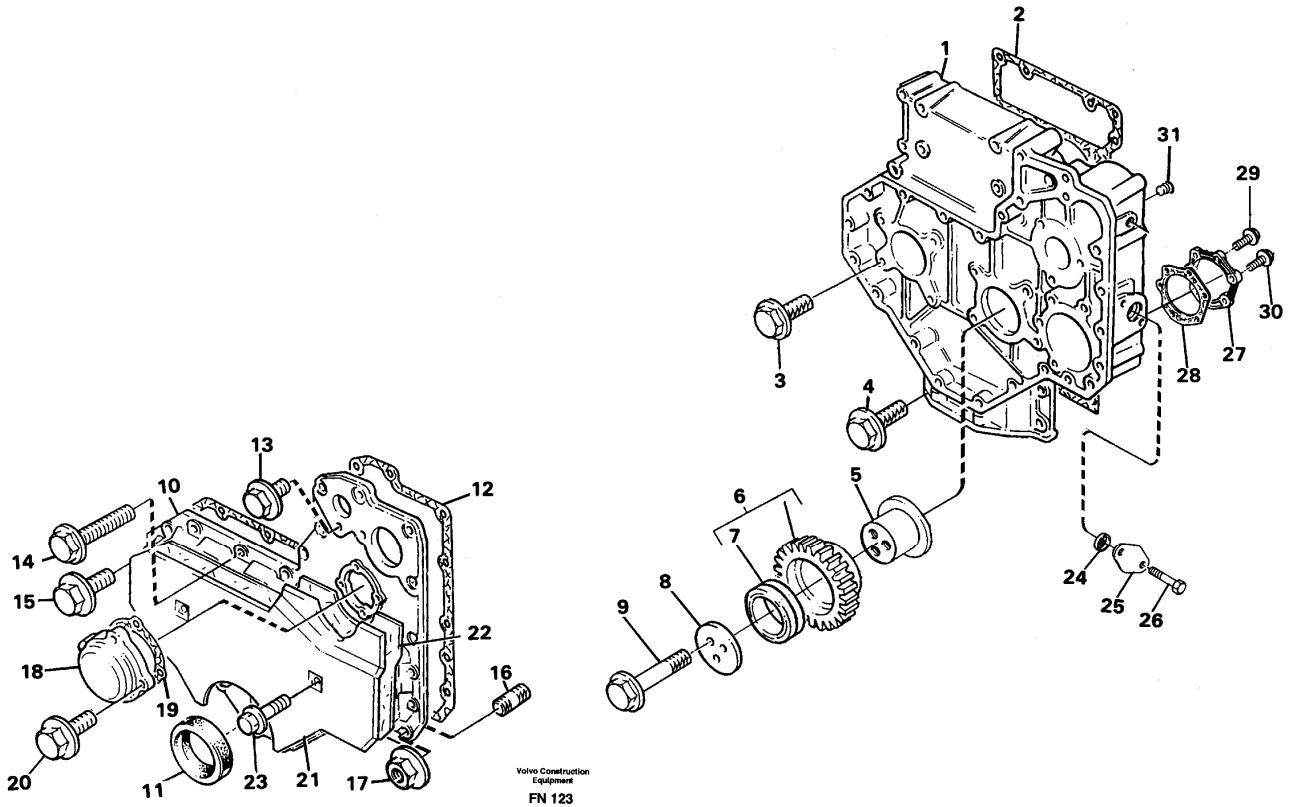
Pos	Part	Q1	Q2	Q3	Q4	Q5	PS	Kit	Description	Option(s)	Remark
1	VOE11998997	4							Cylinder Liner		
2	VOE11701539	4							Piston Kit		
3		4					NS		•Piston pin		
4	VOE11998877	8							•Snap Ring		
5	VOE11701524	4							Piston Ring Kit		

Date: 2013/10/9	Image id: FN120	Catalogue: 99519	Model: EC150C
Brand: Åkerman	Serial: 201-253	Group/Section: 214/100	Title: Valve mechanism



Pos	Part	Q1	Q2	Q3	Q4	Q5	PS	Kit	Description	Option(s)	Remark
	VOE11701547	1							Rocker Arm Kit		
1	VOE483361	1							•Rocker Arm Shaft		
2	VOE6613201	2							••Plug		
3	VOE11997850	4							•Bearing Bracket		
4	VOE11704518	4							•Rocker Arm		(VOE11701548)
5	VOE11998104	4							••Bushing		
6	VOE11704584	4							•Rocker Arm		(VOE11701549)
7	VOE11998104	4							••Bushing		
8	VOE483363	2							•Spring		(VOE7483363)
9	VOE483364	2							•Spring		
10	VOE11997853	1							•Pipe		
11	VOE11997854	1							•Screw		
12	VOE11997855	2							•Shim		
13	VOE483510	1							•Sealing ring		
14	VOE3976859	8							•Stud		(VOE6616717)

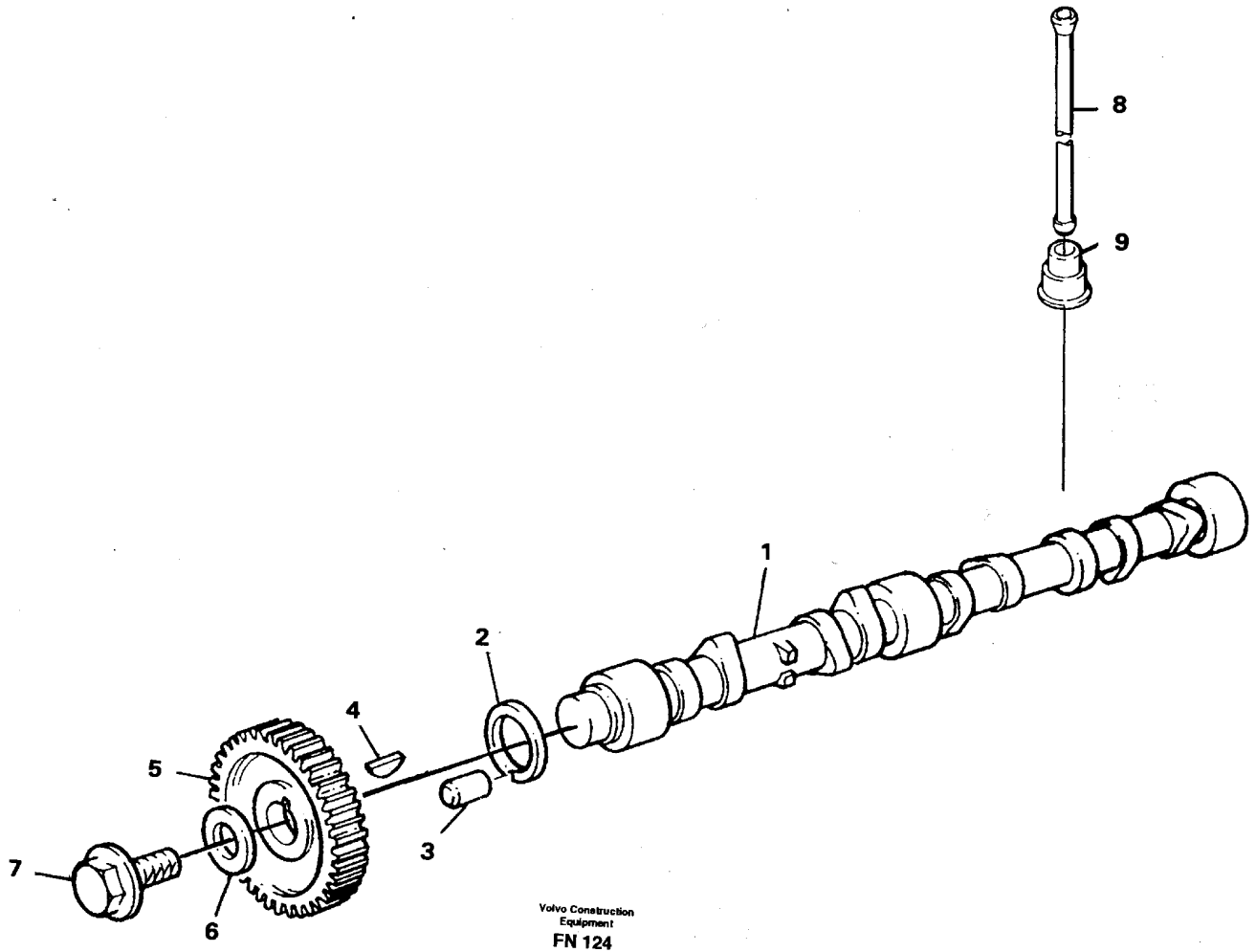
Date: 2013/10/9	Image id: FN123	Catalogue: 99519	Model: EC150C
Brand: Åkerman	Serial: 201-253	Group/Section: 215/100	Title: Timing gear casing



Pos	Part	Q1	Q2	Q3	Q4	Q5	PS	Kit	Description	Option(s)	Remark
1	VOE11716115	1							Timing gear casing		(VOE11701553)
2	VOE11711203	1							Gasket		(VOE11997879)
3	VOE13946173	8							Screw		(VOE946173)
4	VOE11997880	4							Screw		
5	VOE6642825	1							Hub		
6	VOE11997886	1							Gear		
7		1					NS		•Bushing		
8	VOE11701556	1					SS		Plate		
9	VOE13965187	3							Screw		
10	VOE11997887	1					SS		Timing gear cover		
11	VOE6212928	1							Sealing ring		
12	VOE11988378	1							Gasket		(VOE11997888)
13	VOE13965181	6							Screw		
14	VOE946671	6							Flange screw		(VOE11997901)
15	VOE13945444	1							Screw		
16	VOE11997915	2							Stud		
17	VOE13945408	2							Nut		

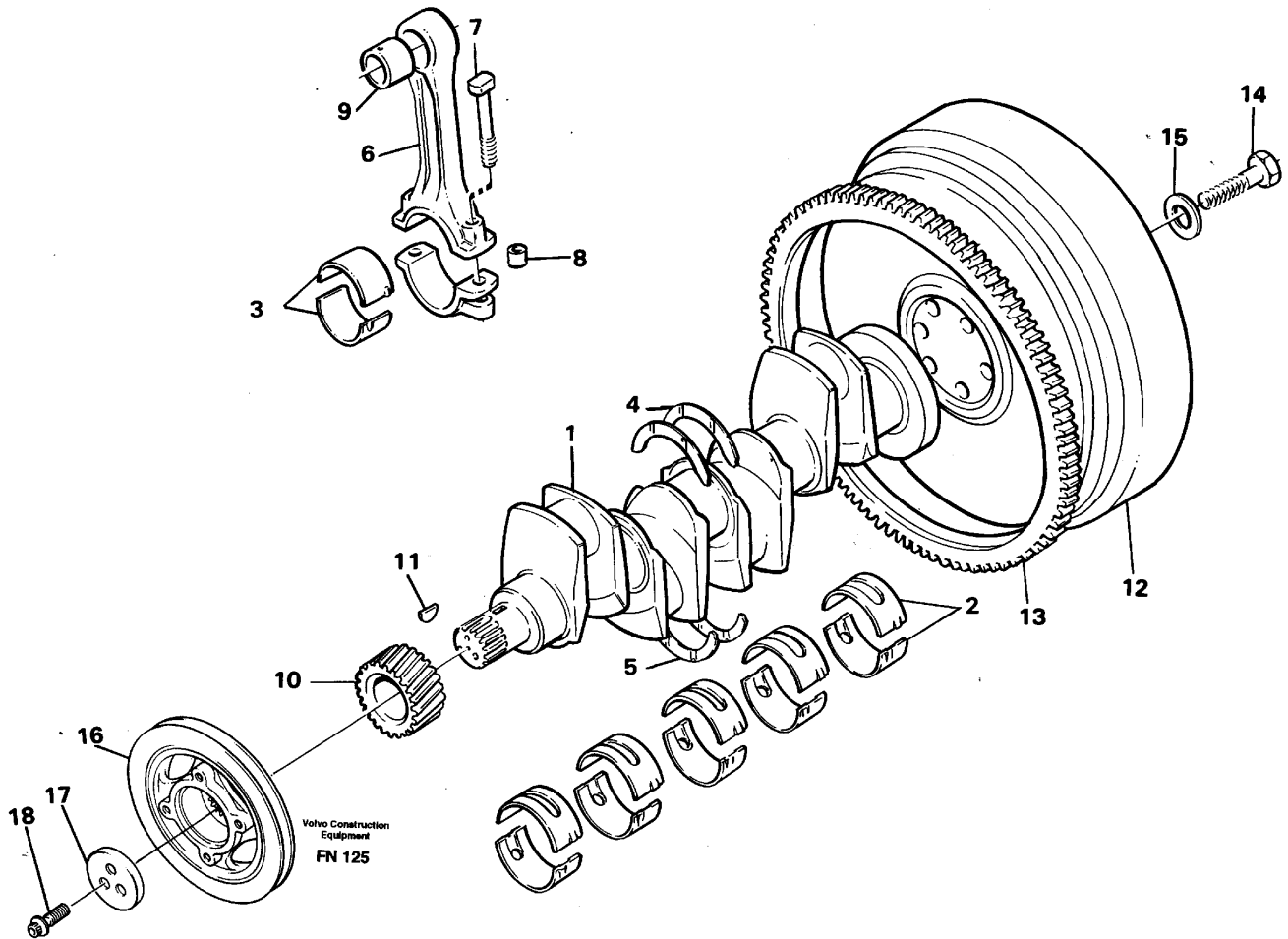
18	VOE11997890	1							Cover		
19	VOE11997891	1							Gasket		
20	VOE11997893	4					SS		Screw		
21	VOE11701557	1							Shield		
22	VOE11701558	1							Damper		
23	VOE945358	2							Flange screw		(VOE13945358)
24	VOE11997996	1							Strainer		
25	VOE11700796	1					SS		Plate		
26	VOE13946173	2							Screw		(VOE946173)
27	VOE11998060	1					SS		Spacer		
28	VOE11998164	1							Gasket		(VOE11998061)
29	VOE11997880	5							Screw		
30	VOE946472	1							Flange screw		
31	VOE479977	1							Plug		

Date: 2013/10/9	Image id: FN124	Catalogue: 99519	Model: EC150C
Brand: Åkerman	Serial: 201-253	Group/Section: 215/150	Title: Camshaft



Pos	Part	Q1	Q2	Q3	Q4	Q5	PS	Kit	Description	Option(s)	Remark
1	VOE11701554	1							Camshaft		
2	VOE11997882	1							Washer		
3	VOE6210552	1							Pin		
4	VOE483448	1							Key		
5	VOE11700783	1							Gear		
6	VOE11997885	1							Washer		
7	VOE11701555	1							Screw		
8	VOE483371	8							Push rod		
9	VOE3976551	8							Tappet		(VOE483370)

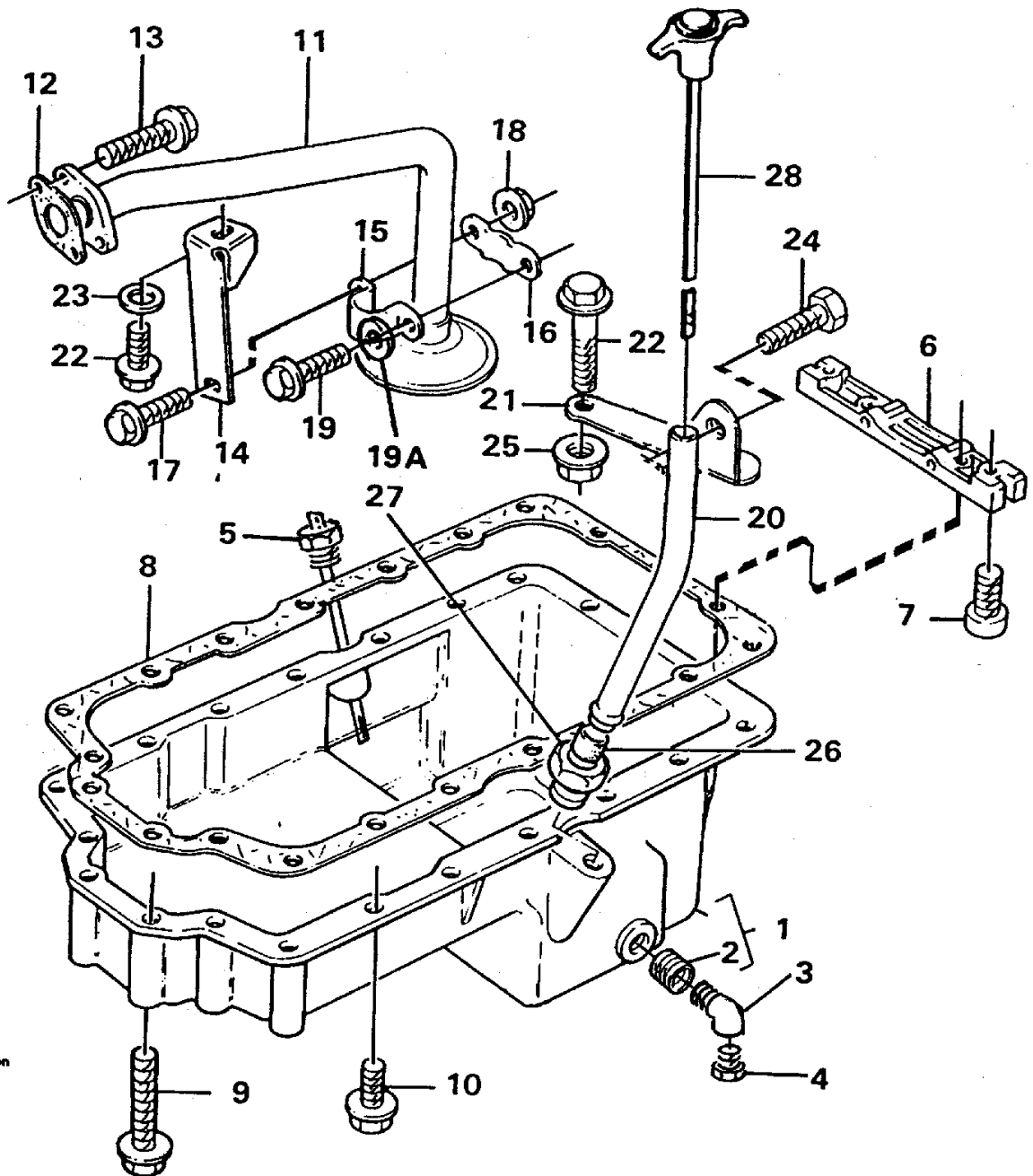
Date: 2013/10/9	Image id: FN125	Catalogue: 99519	Model: EC150C
Brand: Åkerman	Serial: 201-253	Group/Section: 216/100	Title: Crankshaft and related parts



Pos	Part	Q1	Q2	Q3	Q4	Q5	PS	Kit	Description	Option(s)	Remark
1	VOE1170646	1							Crankshaft		(VOE11999180)
2	VOE483350	1							•Mn Bearing Kit		(VOE7483350)STD SZ
	VOE483351	1							•Mn Bearing Kit		(VOE7483351)0,25 mm U SZ
	VOE483352	1							•Mn Bearing Kit		(VOE7483352)0,50 mm U SZ
	VOE483353	1							•Mn Bearing Kit		(VOE7483353)0,75 mm U SZ
3	VOE11997824	1							•Big End Brg Kit		STD SZ
	VOE11997825	1							•Big End Brg Kit		0,25 mm U SZ
	VOE11997826	1							•Big End Brg Kit		0,50 mm U SZ
	VOE11997827	1							•Big End Brg Kit		(VOE7483357)0,75 mm U SZ
4	VOE483336	2							•Thrust Washer		(VOE7483336)STD SZ
	VOE7483338	2					SS		•Thrust Washer		0,19 mm O SZ

5	VOE483337	2							•Thrust Washer		(VOE7483337)STD SZ
	VOE483339	2							•Thrust Washer		(VOE7483339)0,19 mm O SZ
6	VOE11999002	4							Connecting Rod Kit		
7	VOE11999004	8							•Screw		
8	VOE11999005	8							•Socket		
9	VOE11999621	4							•Bearing Bushing		
10	VOE11997833	1							Gear		
11	VOE483448	1							Key		(VOE7483448)
12	VOE11999539	1							Flywheel		
13	VOE11997947	1							•Gear Ring		
14	VOE11997945	12							Bolt		
15	VOE11997946	12							Washer		
16	VOE11997037	1							Pulley		
17	VOE11997970	1							Block		
18	VOE11997971	3							Screw		

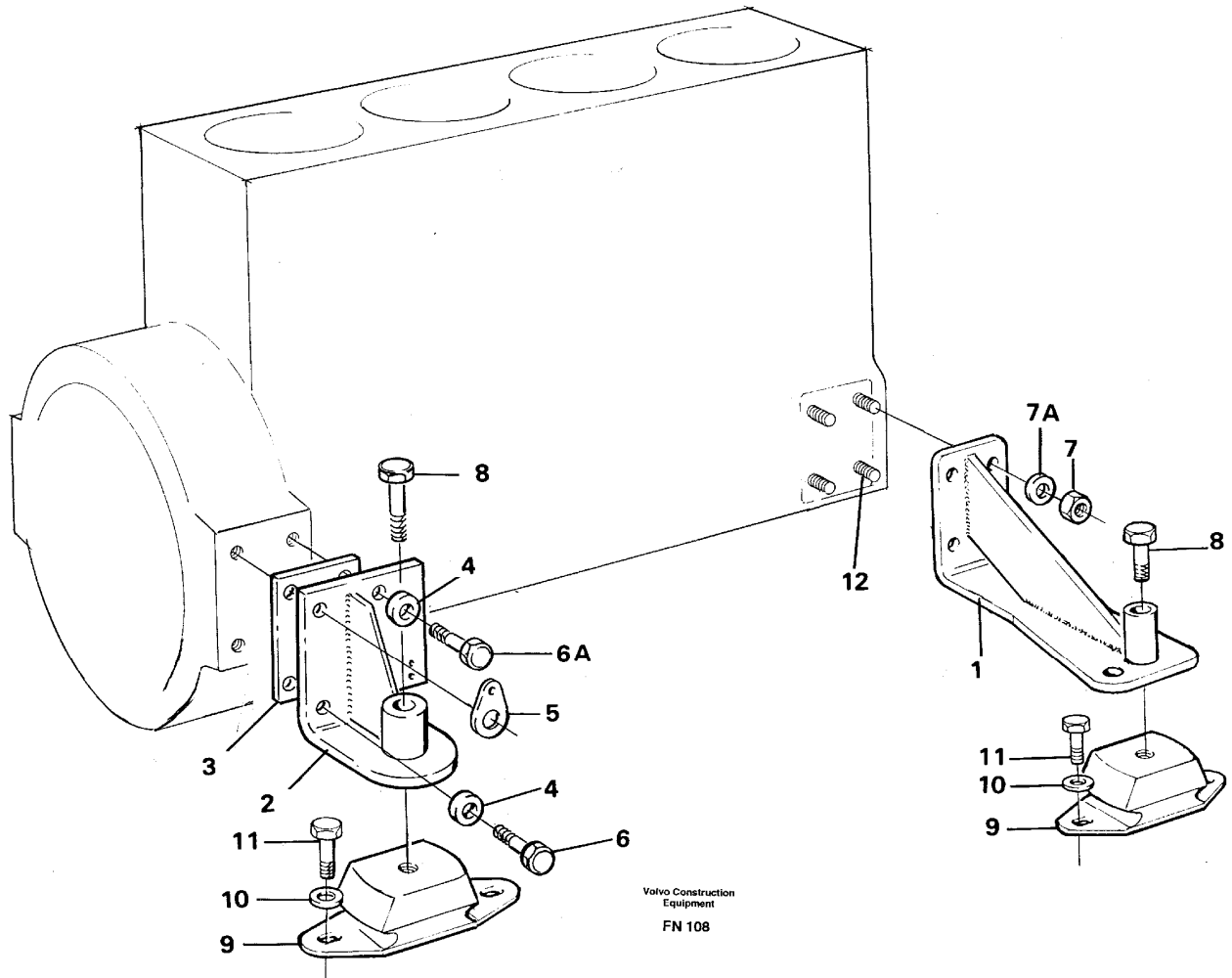
Date: 2013/10/9	Image id: FN126	Catalogue: 99519	Model: EC150C
Brand: Åkerman	Serial: 201-253	Group/Section: 217/100	Title: Oil sump



Pos	Part	Q1	Q2	Q3	Q4	Q5	PS	Kit	Description	Option(s)	Remark
1	VOE11712585	1							Oil pan		(VOE11997039)
2	VOE11997987	2							•Insert sleeve		
3	VOE14216233	2							Elbow		
4	VOE14216234	2							Plug		
5	VOE11703450	1							Sensor		(VOE11702279)

6	VOE11701581	1							Bridge		(VOE11997978)
7	VOE11997813	2					SS		Screw		
8	VOE11997979	1							Gasket		
9	VOE11997968	6							Screw		
10	VOE13946173	14							Screw		(VOE946173)
11	VOE11997040	1							Oil pipe		
12	VOE11707068	1							Gasket		(VOE11701582)
13	VOE13947760	2							Screw		
14	VOE11997041	1							Bracket		
15	VOE11997043	1							Clamp		
16	VOE11997042	1							Plate		
17	VOE13946544	1							Screw		
18	VOE11998120	2							Nut		
19	VOE13965175	1							Screw		
19A	VOE11701583	1							Washer		
20	VOE11997044	1					SS		Oil pipe		
21	VOE11997046	1							Bracket		
22	VOE946440	1							Flange screw		
23	VOE6639370	1							Washer		
24	VOE946471	2							Flange screw		
25	VOE13945408	1							Nut		
26	VOE11997985	1							O-ring		
27	VOE11998893	1							Nut		
28	VOE11997047	1					SS		Dipstick		

Date: 2013/10/9	Image id: FN108	Catalogue: 99519	Model: EC150C
Brand: Åkerman	Serial: 201-253	Group/Section: 218/100	Title: Engine mounting



Pos	Part	Q1	Q2	Q3	Q4	Q5	PS	Kit	Description	Option(s)	Remark
1	VOE14257205	2							Engine Mounting		
2	VOE14257210	1							Engine Mounting		RH
	VOE14267325	1					SS		Engine Mounting		LH
3	VOE14258737	1							Spacer		RH
4	VOE14040547	8							Spacer		
5	VOE14252169	1							Attachment		
6	VOE13965193	4							Flange screw		L = 50mm
6A	VOE13965194	4							Flange screw		L = 60mm
7	VOE13971090	8							Lock nut		
7A	VOE14248129	8							Washer		
8	VOE955372	4							Hexagon screw		
9	VOE14266108	4							Rubber Damper		

10	VOE13960145	8						Washer		
11	VOE13970970	8						Hexagon screw		
12	VOE11998146	8						Stud		
	VOE14024293	REQ					OP	Locking Fluid		

Thank you so much for reading.
Please click the “Buy Now!”
button below to download the
complete manual.



After you pay.

You can download the most
perfect and complete manual in
the world immediately.

Our support email:

ebooklibonline@outlook.com