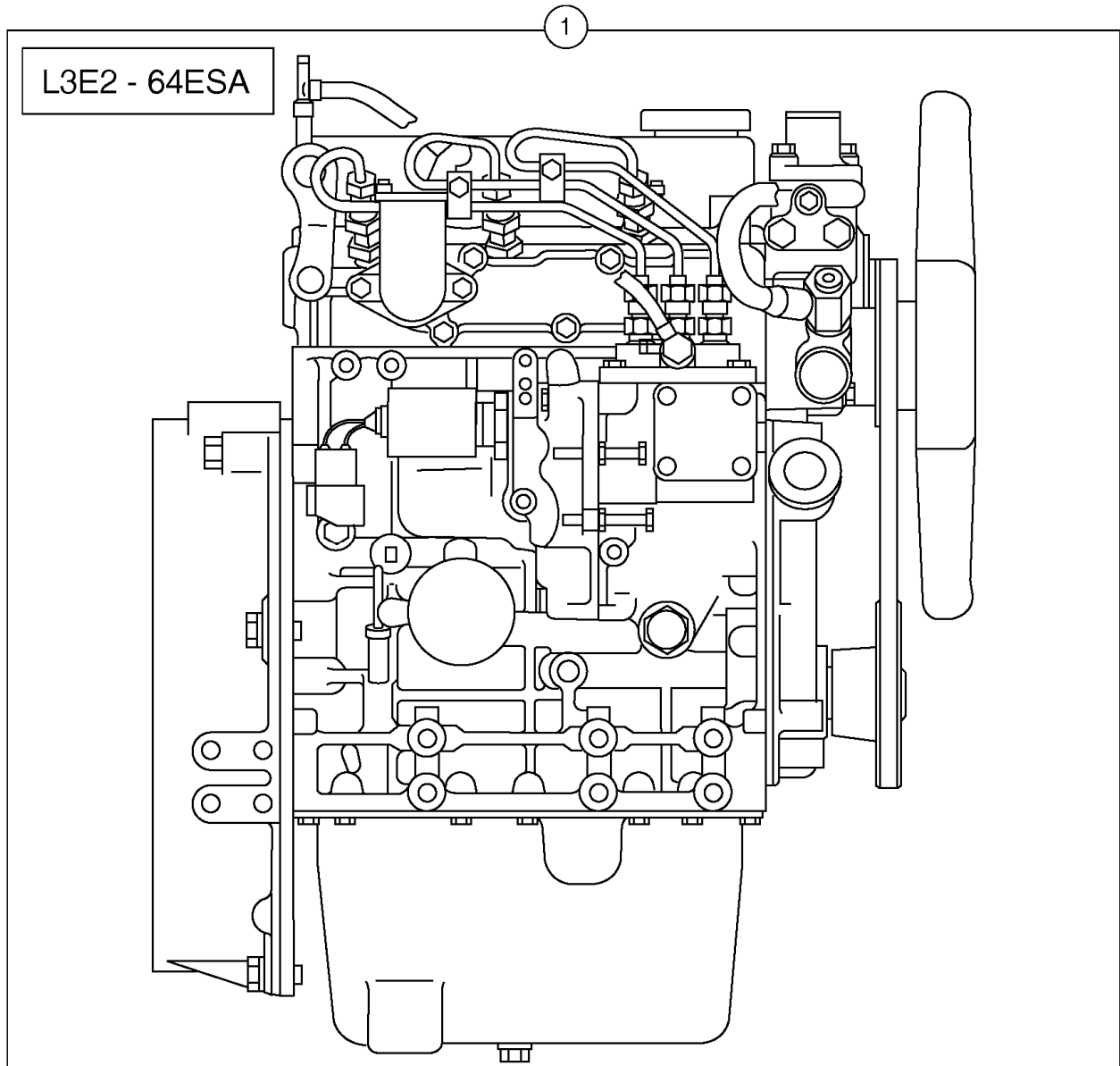


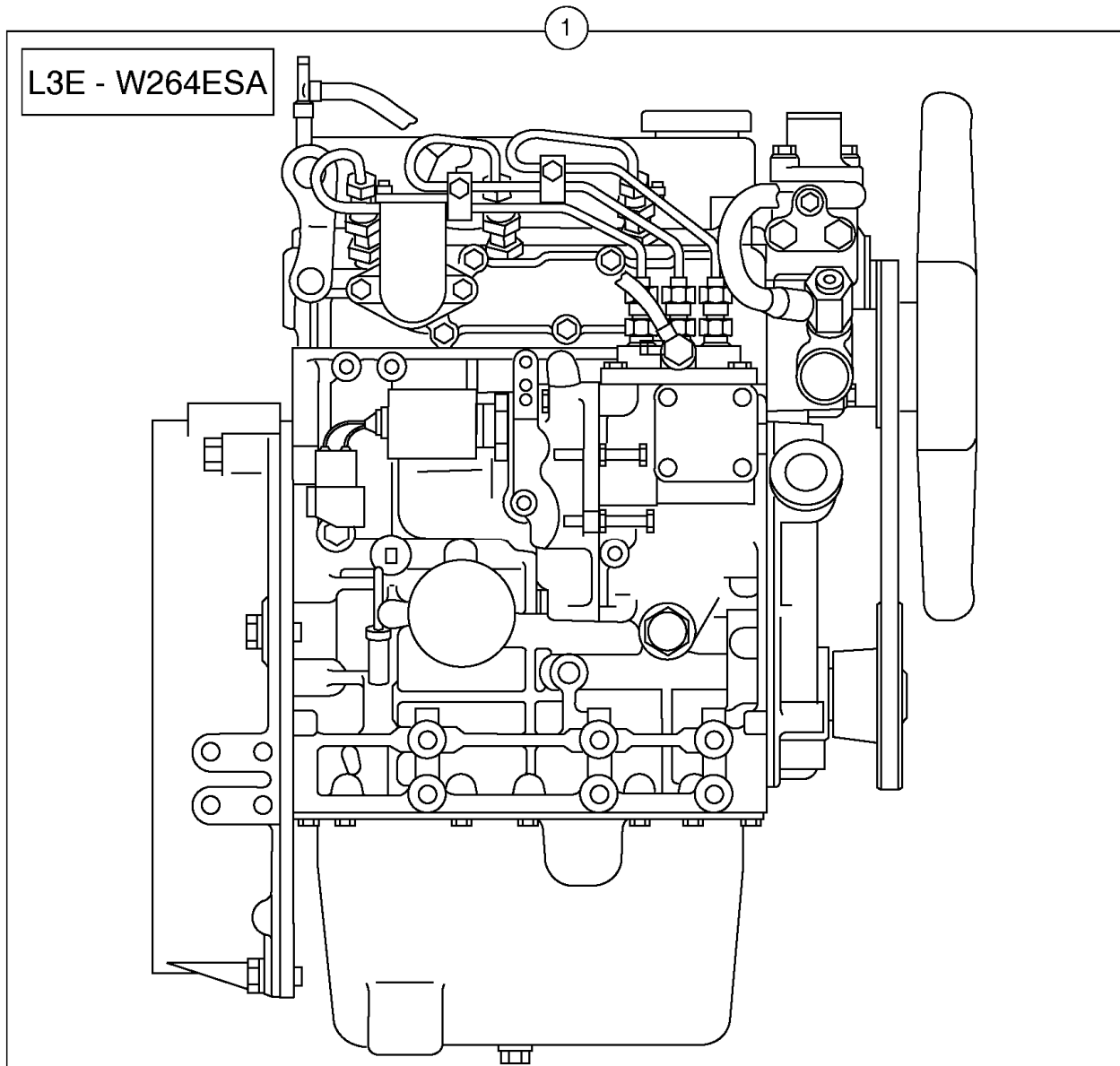
| | | | |
|----------------------------|-------------------------------|----------------------------------|---|
| Date: 2013/11/24 | Image id: 210Z1 | Catalogue: 10017 | Model: EC15B XR |
| Brand: Volvo | Serial: 10151-99999 | Group/Section: 210/100 | Title: Equipped engine L3E2-64ESA |



| Q1-Q5 | Option | Option description | |
|-------|--------|--------------------|--|
| Q1. | | | |

| Pos | Part | Q1 | Q2 | Q3 | Q4 | Q5 | PS | Kit | Description | Option(s) | Remark |
|-----|-------------|----|----|----|----|----|----|-----|-------------|-----------|------------|
| 1 | VOE11800860 | 1 | | | | | | | Engine | | L3E2-64ESA |

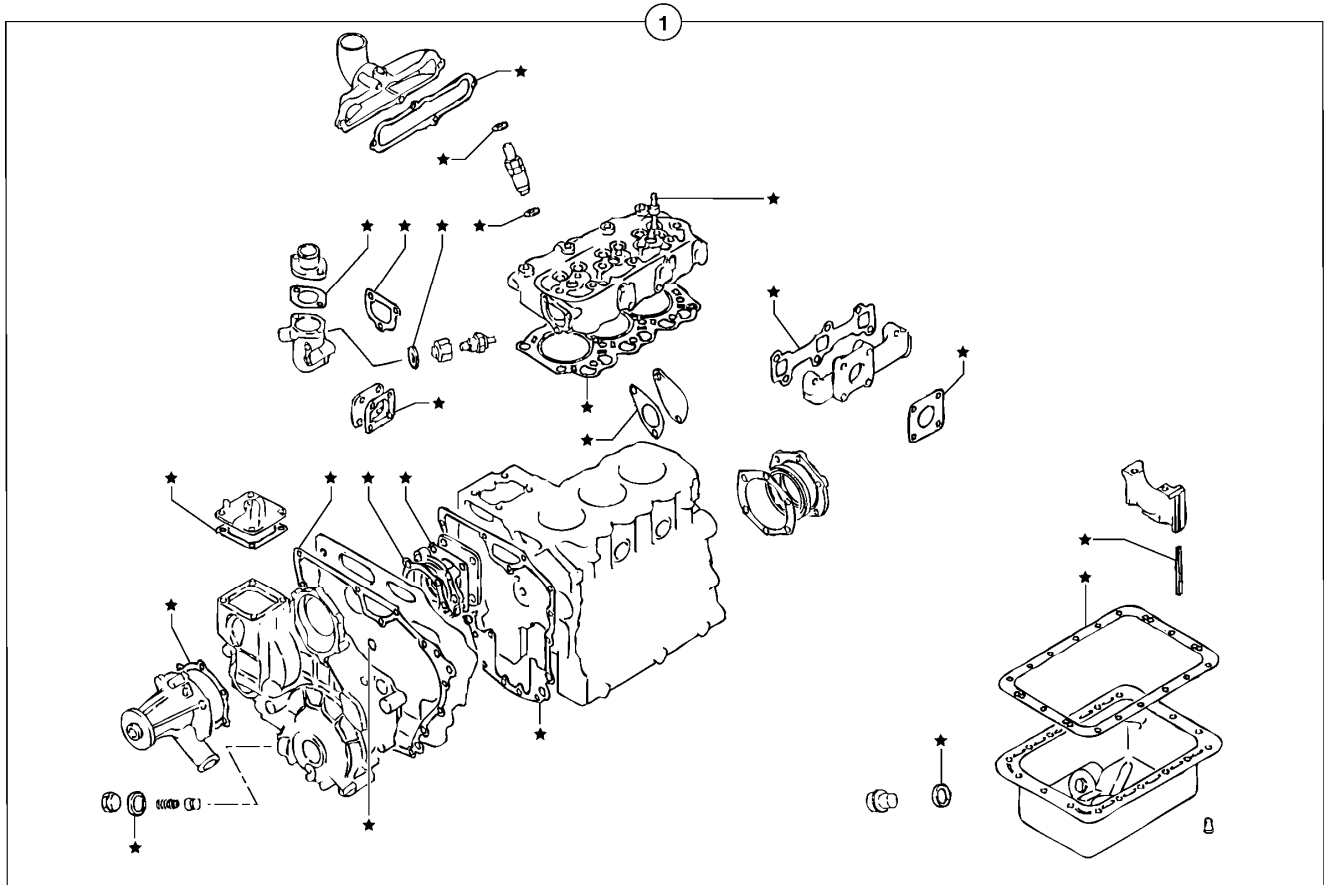
| | | | |
|----------------------------|-------------------------------|----------------------------------|--|
| Date: 2013/11/24 | Image id: 210NZ1 | Catalogue: 10017 | Model: EC15B XR |
| Brand: Volvo | Serial: 10151-99999 | Group/Section: 210/200 | Title: Equipped engine L3E-W264ESA |



| Q1-Q5 | Option | Option description | |
|-------|--------|--------------------|--|
| Q1. | | | |

| Pos | Part | Q1 | Q2 | Q3 | Q4 | Q5 | PS | Kit | Description | Option(s) | Remark |
|-----|-------------|----|----|----|----|----|----|-----|-------------|-----------|-------------|
| 1 | VOE11800862 | 1 | | | | | | | Engine | | L3E-W264ESA |

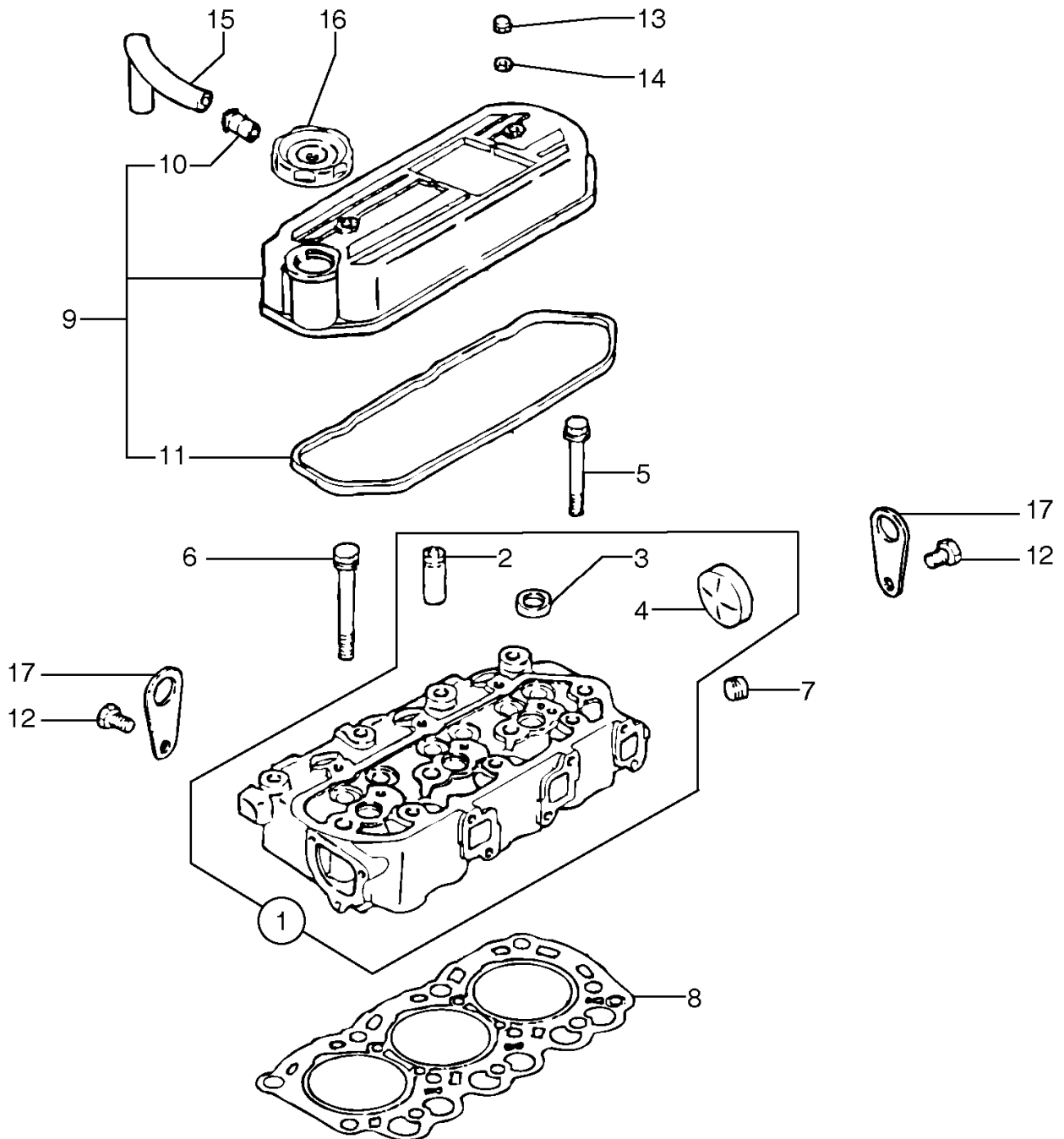
| | | | |
|----------------------------|-------------------------------|----------------------------------|------------------------------------|
| Date: 2013/11/24 | Image id: 210PZ1 | Catalogue: 10017 | Model: EC15B XR |
| Brand: Volvo | Serial: 10151-99999 | Group/Section: 210/300 | Title: Engine gasket kit |



| Q1-Q5 | Option | Option description | |
|--------------|--------|--------------------|--|
| Q1 272.10151 | | | |
| Q2 11809178 | | | |

| Pos | Part | Q1 | Q2 | Q3 | Q4 | Q5 | PS | Kit | Description | Option(s) | Remark |
|-----|-----------|----|----|----|----|----|----|-----|-------------|-----------|--------|
| 1 | PJ7418513 | 1 | 1 | | | | | | Seal kit | | |

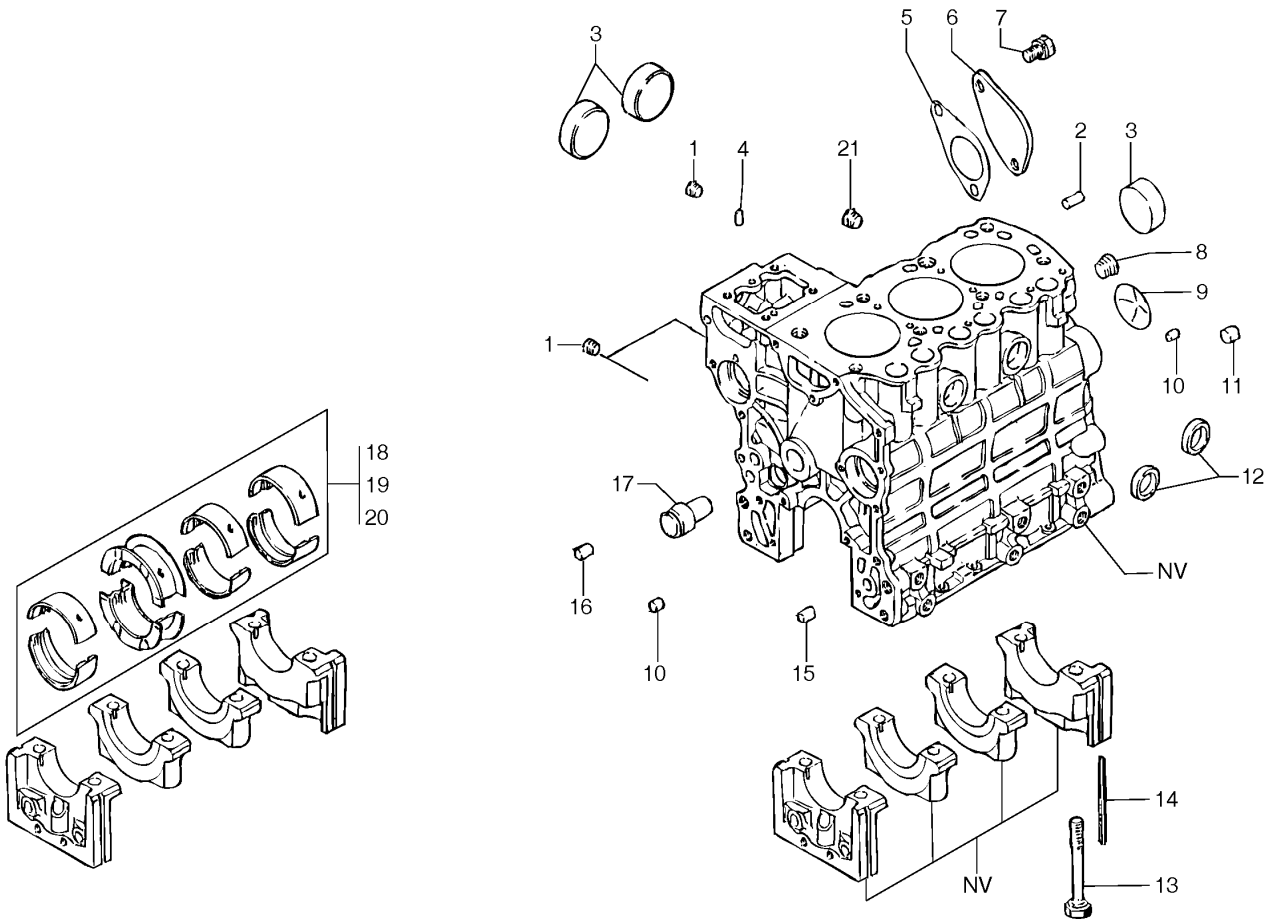
| | | | |
|----------------------------|-------------------------------|----------------------------------|--------------------------------|
| Date: 2013/11/24 | Image id: 211Z1 | Catalogue: 10017 | Model: EC15B XR |
| Brand: Volvo | Serial: 10151-99999 | Group/Section: 211/100 | Title: Cylinder head |



| Q1-Q5 | Option | Option description | |
|--------------|--------|--------------------|--|
| Q1 272.10151 | | | |
| Q2 11809178 | | | |

| Pos | Part | Q1 | Q2 | Q3 | Q4 | Q5 | PS | Kit | Description | Option(s) | Remark |
|-----|-------------|----|----|----|----|----|----|-----|-----------------|-----------|-------------|
| 1 | PJ7417039 | 1 | | | | | | | Cylinder head | | L3E2-64ESA |
| 1 | PJ7412995 | 1 | | | | | | | Cylinder head | | L3E-W264ESA |
| 1 | VOE15043474 | | 1 | | | | | | Cylinder head | | L3E-W464ESA |
| 2 | PJ7410611 | 6 | 6 | | | | | | •Guide | | |
| 3 | PJ7410609 | 3 | | | | | | | •Sealing | | |
| 4 | PJ7410577 | 1 | | | | | | | •Plug | | |
| 5 | PJ7410587 | 3 | 3 | | | | | | Bolt | | |
| 6 | PJ7417085 | 8 | 8 | | | | | | Bolt | | |
| 7 | PJ7410691 | 1 | 1 | | | | | | Plug | | |
| 8 | PJ7415738 | 1 | 1 | | | | | | Cyl Head Gasket | | |
| 9 | PJ7418418 | 1 | | | | | | | Cover | | |
| 10 | | 1 | | | | | NS | | •Nipple | | |
| 11 | PJ7412914 | 1 | | | | | | | •Seal | | |
| 12 | PJ7410097 | 2 | | | | | SS | | Screw | | |
| 13 | PJ7410599 | 2 | 2 | | | | | | Nut | | |
| 14 | PJ7410123 | 2 | | | | | SS | | Washer | | |
| 15 | PJ7410665 | 1 | 1 | | | | | | Tube | | |
| 16 | PJ11712227 | 1 | 1 | | | | | | Filler cap | | |
| 17 | PJ7410628 | 2 | 2 | | | | OP | | Support | | |

| | | | |
|----------------------------|-------------------------------|----------------------------------|---------------------------------|
| Date: 2013/11/24 | Image id: 212Z1 | Catalogue: 10017 | Model: EC15B XR |
| Brand: Volvo | Serial: 10151-99999 | Group/Section: 212/100 | Title: Cylinder block |

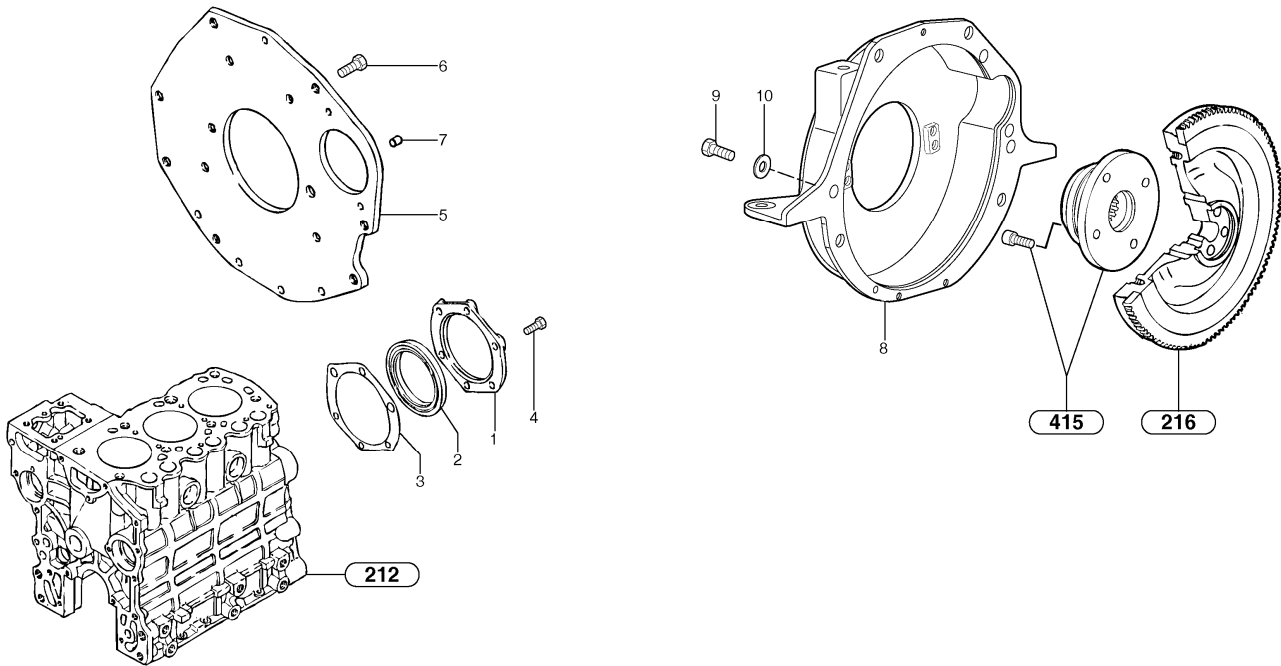


| Q1-Q5 | Option | Option description | |
|--------------|--------|--------------------|--|
| Q1 272.10151 | | | |
| Q2 11809178 | | | |

| Pos | Part | Q1 | Q2 | Q3 | Q4 | Q5 | PS | Kit | Description | Option(s) | Remark |
|-----|-----------|----|----|----|----|----|----|-----|-------------|-----------|--------|
| 1 | PJ7417041 | 3 | 3 | | | | | | Plug | | |
| 2 | PJ7410129 | 1 | 1 | | | | | | Centraliser | | |
| 3 | PJ7410577 | 3 | | | | | | | Plug | | |
| 4 | PJ7410287 | 2 | 2 | | | | | | Centraliser | | |
| 5 | PJ7418420 | 1 | 1 | | | | | | Seal | | |
| 6 | | 1 | 1 | | | | NS | | Plate | | |
| 7 | PJ4380042 | 2 | 2 | | | | | | Screw | | |
| 8 | PJ7410692 | 1 | 1 | | | | | | Plug | | |
| 9 | PJ7410608 | 1 | 1 | | | | | | Plug | | |
| 10 | PJ7410688 | 2 | 2 | | | | | | Bushing | | |

| | | | | | | | | | | | |
|----|-----------|---|---|--|--|--|--|--|----------------|--|-----------------|
| 11 | PJ7410690 | 3 | 3 | | | | | | Bushing | | |
| 12 | PJ7410144 | 2 | 2 | | | | | | Plug | | |
| 13 | PJ7418419 | 8 | 8 | | | | | | Bolt | | |
| 14 | PJ7410625 | 4 | 4 | | | | | | Seal | | |
| 15 | PJ7410689 | 1 | 1 | | | | | | Bushing | | |
| 16 | PJ7410404 | 2 | 2 | | | | | | Bushing | | |
| 17 | PJ7415739 | 1 | 1 | | | | | | Shaft | | |
| 18 | PJ7413155 | 1 | 1 | | | | | | Bearings (kit) | | STD SZ |
| 19 | PJ7413156 | 1 | 1 | | | | | | Bearings (kit) | | 0,25mm/0.0098in |
| 20 | PJ7413157 | 1 | 1 | | | | | | Bearings (kit) | | 0,50mm/0.0197in |
| 21 | PJ7410039 | 1 | 1 | | | | | | Plug | | |

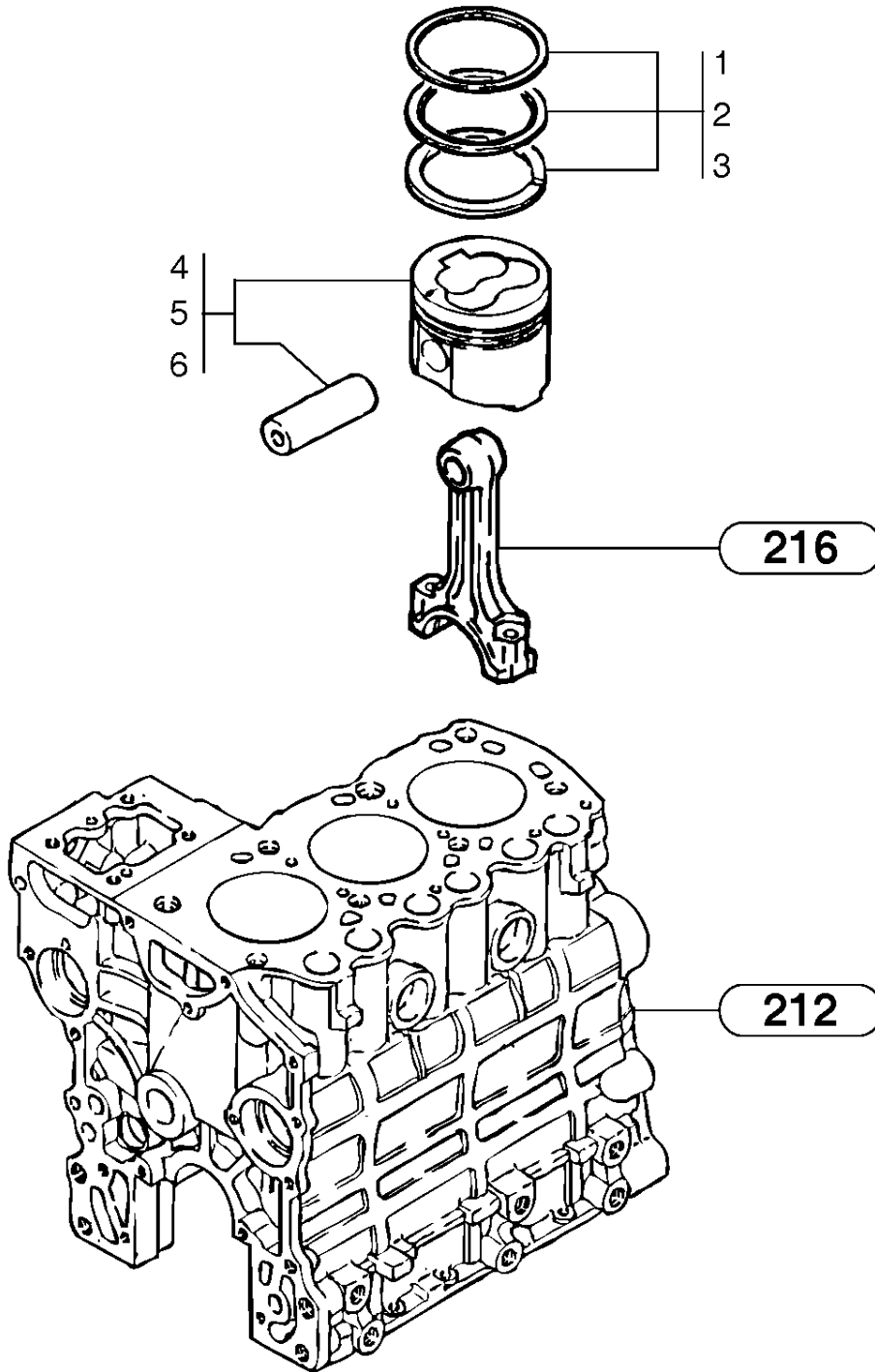
| | | | |
|----------------------------|-------------------------------|----------------------------------|-----------------------------------|
| Date: 2013/11/24 | Image id: 2125Z1 | Catalogue: 10017 | Model: EC15B XR |
| Brand: Volvo | Serial: 10151-99999 | Group/Section: 212/500 | Title: Flywheel housing |



| Q1-Q5 | Option | Option description | |
|--------------|--------|--------------------|--|
| Q1 272.10151 | | | |
| Q2 11809178 | | | |

| Pos | Part | Q1 | Q2 | Q3 | Q4 | Q5 | PS | Kit | Description | Option(s) | Remark |
|-----|-----------|----|----|----|----|----|----|-----|------------------|-----------|---------|
| 1 | PJ7410615 | 1 | 1 | | | | | | Flange | | |
| 2 | PJ7410585 | 1 | 1 | | | | | | Seal | | |
| 3 | PJ7410626 | 1 | 1 | | | | | | Seal | | |
| 4 | PJ4380032 | 6 | 6 | | | | | | Screw | | |
| 5 | | 1 | 1 | | | | | | Plate | | |
| 6 | PJ7416472 | 6 | 6 | | | | | | Attachment kit | | |
| 7 | PJ7412990 | 1 | 1 | | | | | | Centraliser | | |
| 8 | PJ3810791 | 1 | | | | | | | Flywheel housing | | |
| 9 | PJ4380172 | 6 | | | | | | | Screw | | HM12X20 |
| 10 | VOE955897 | 6 | | | | | | | Washer | | 13x24x2 |

| | | | |
|----------------------------|-------------------------------|----------------------------------|---------------------------|
| Date: 2013/11/24 | Image id: 213Z1 | Catalogue: 10017 | Model: EC15B XR |
| Brand: Volvo | Serial: 10151-99999 | Group/Section: 213/100 | Title: Pistons |

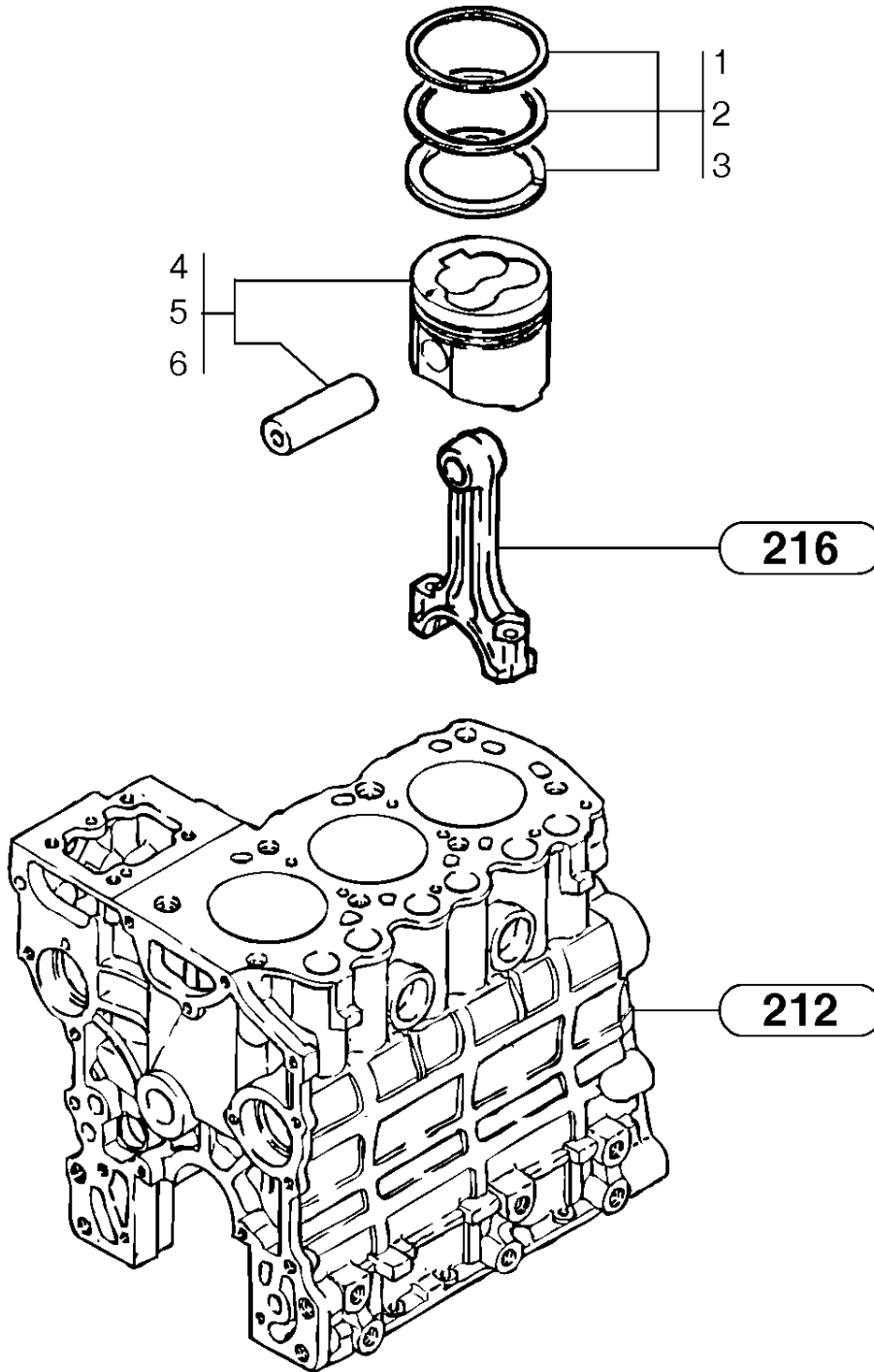


| Q1-Q5 | Option | Option description | |
|---------------|--------|--------------------|--|
| Q1 L3E2-64ESA | | | |

| | | | |
|-------------|--|--|--|
| Q2 11809178 | | | |
|-------------|--|--|--|

| Pos | Part | Q1 | Q2 | Q3 | Q4 | Q5 | PS | Kit | Description | Option(s) | Remark |
|-----|-----------|----|----|----|----|----|----|-----|--------------------|-----------|-----------------|
| 1 | PJ7410666 | 3 | 3 | | | | | | Piston rings (kit) | | STD SZ |
| 2 | PJ7411182 | 3 | 3 | | | | | | Piston rings (kit) | | 0,25mm/0.0098in |
| 3 | PJ7411183 | 3 | 3 | | | | | | Piston rings (kit) | | 0,50mm/0.0197in |
| 4 | PJ7418421 | 3 | | | | | | | Piston | | STD SZ |
| 4 | PJ7418424 | | 3 | | | | | | Piston | | STD SZ |
| 5 | PJ7418422 | 3 | | | | | | | Piston | | 0,25mm/0.0098in |
| 5 | PJ7418425 | | 3 | | | | | | Piston | | 0,25mm/0.0098in |
| 6 | PJ7418423 | 3 | | | | | | | Piston | | 0,50mm/0.0197in |
| 6 | PJ7418426 | | 3 | | | | | | Piston | | 0,50mm/0.0197in |

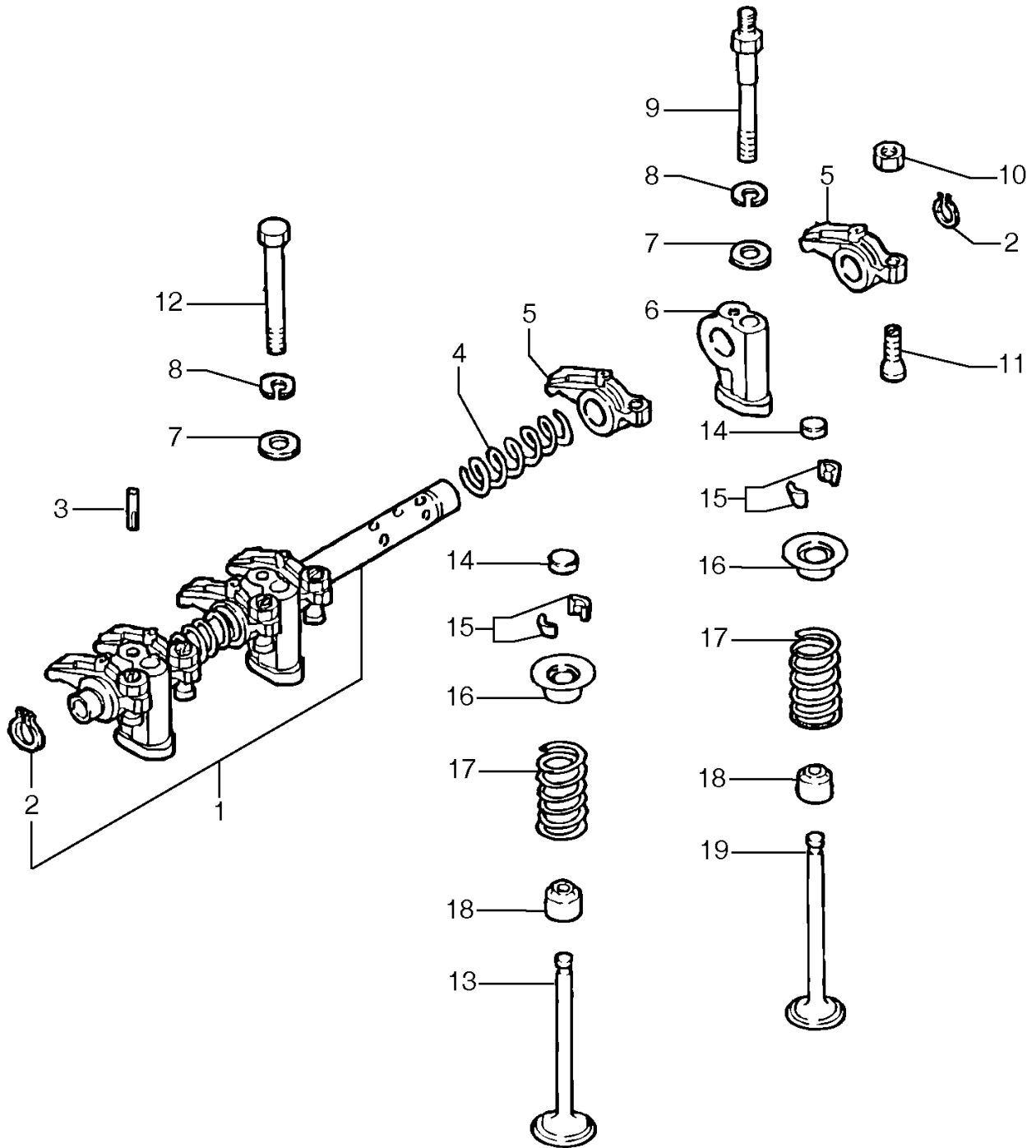
| | | | |
|----------------------------|-------------------------------|----------------------------------|--------------------------------------|
| Date: 2013/11/24 | Image id: 213NZ1 | Catalogue: 10017 | Model: EC15B XR |
| Brand: Volvo | Serial: 10151-99999 | Group/Section: 213/200 | Title: Pistons L3E-W264ESA |



| Q1-Q5 | Option | Option description | |
|-------|--------|--------------------|--|
| Q1. | | | |

| Pos | Part | Q1 | Q2 | Q3 | Q4 | Q5 | PS | Kit | Description | Option(s) | Remark |
|-----|-----------|----|----|----|----|----|----|-----|--------------------|-----------|-----------------|
| 1 | PJ7410666 | 3 | | | | | | | Piston rings (kit) | | STD SZ |
| 2 | PJ7411182 | 3 | | | | | | | Piston rings (kit) | | 0,25mm/0.0098in |
| 3 | PJ7411183 | 3 | | | | | | | Piston rings (kit) | | 0,50mm/0.0197in |
| 4 | PJ7418424 | 3 | | | | | | | Piston | | STD SZ |
| 5 | PJ7418425 | 3 | | | | | | | Piston | | 0,25mm/0.0098in |
| 6 | PJ7418426 | 3 | | | | | | | Piston | | 0,50mm/0.0197in |

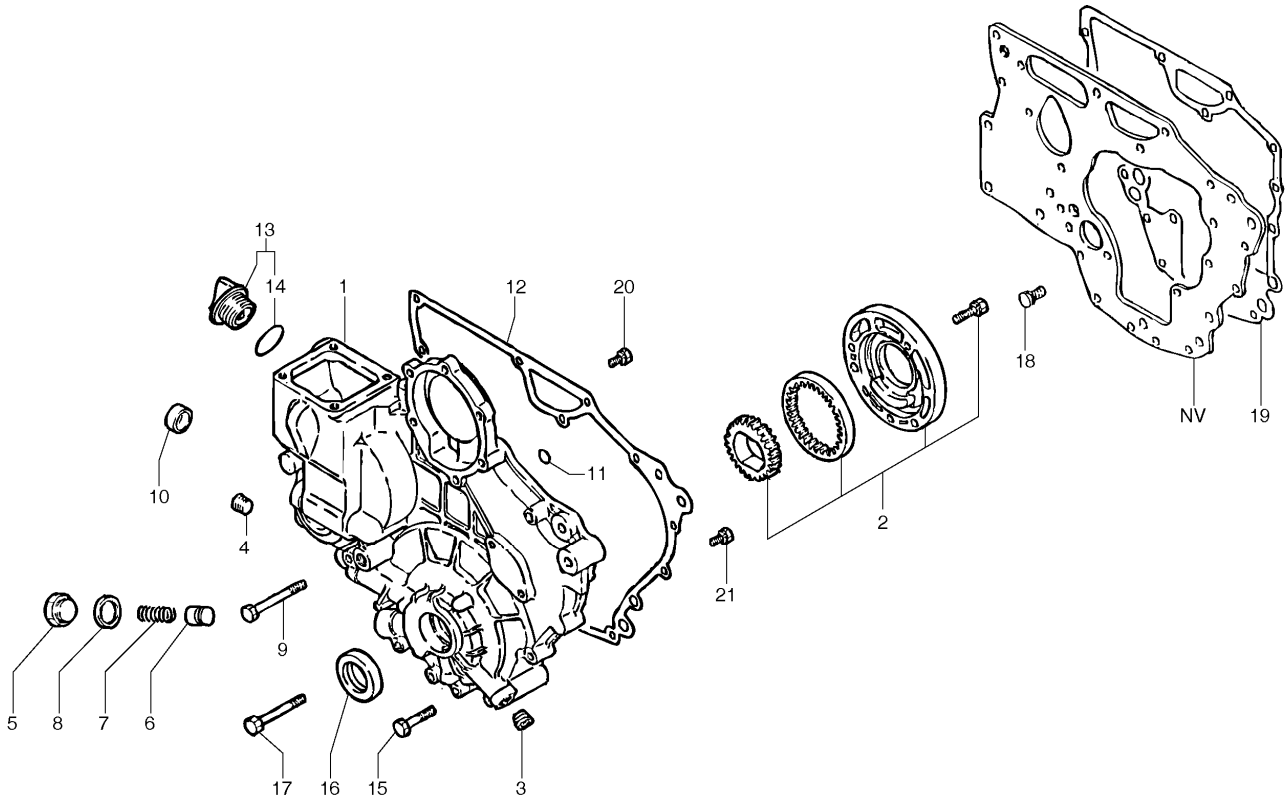
| | | | |
|----------------------------|-------------------------------|----------------------------------|-----------------------------------|
| Date: 2013/11/24 | Image id: 214Z1 | Catalogue: 10017 | Model: EC15B XR |
| Brand: Volvo | Serial: 10151-99999 | Group/Section: 214/100 | Title: Rocker arm shaft |



| Q1-Q5 | Option | Option description | |
|--------------|--------|--------------------|--|
| Q1 272.10151 | | | |
| Q2 11809178 | | | |

| Pos | Part | Q1 | Q2 | Q3 | Q4 | Q5 | PS | Kit | Description | Option(s) | Remark |
|-----|-------------|----|----|----|----|----|----|-----|------------------|-----------|--------|
| 1 | PJ7418433 | 1 | 1 | | | | | | Rocker Arm Shaft | | |
| 2 | PJ7410605 | 2 | 2 | | | | | | Snap Ring | | |
| 3 | PJ7410622 | 1 | 1 | | | | | | Pin | | |
| 4 | PJ7410612 | 2 | 2 | | | | | | Spring | | |
| 5 | PJ7410657 | 6 | | | | | | | Rocker Arm | | |
| 5 | VOE15043547 | | 6 | | | | | | Rocker arm | | |
| 6 | PJ7410613 | 3 | 3 | | | | | | Support | | |
| 7 | PJ7410402 | 3 | 3 | | | | | | Washer | | |
| 8 | PJ4470014 | 3 | 3 | | | | | | Lock Washer | | |
| 9 | PJ7410669 | 2 | | | | | | | Stud | | |
| 9 | VOE15043549 | | 2 | | | | | | Bolt | | |
| 10 | VOE983302 | 6 | 6 | | | | | | Hexagon nut | | |
| 11 | PJ7410658 | 6 | 6 | | | | | | Screw | | |
| 12 | PJ7411295 | 1 | | | | | | | Screw | | |
| 12 | | | 1 | | | | NS | | Screw | | |
| 13 | PJ7410620 | 3 | | | | | | | Inlet valve | | |
| 13 | VOE15047648 | | 3 | | | | | | Inlet valve | | |
| 14 | PJ7414924 | 6 | 6 | | | | | | Cap | | |
| 15 | PJ7410056 | 12 | 12 | | | | | | Stop | | |
| 16 | PJ7410655 | 6 | | | | | | | Washer | | |
| 16 | VOE15042927 | | 6 | | | | | | Washer | | |
| 17 | PJ7410638 | 6 | 6 | | | | | | Spring | | |
| 18 | PJ7414430 | 6 | 6 | | | | | | Seal | | |
| 19 | PJ7410621 | 3 | | | | | SS | | Exhaust Valve | | |
| 19 | VOE15043581 | | 3 | | | | | | Exhaust valve | | |

| | | | |
|----------------------------|-------------------------------|----------------------------------|-------------------------------------|
| Date: 2013/11/24 | Image id: 215Z1 | Catalogue: 10017 | Model: EC15B XR |
| Brand: Volvo | Serial: 10151-99999 | Group/Section: 215/100 | Title: Timing gear casing |

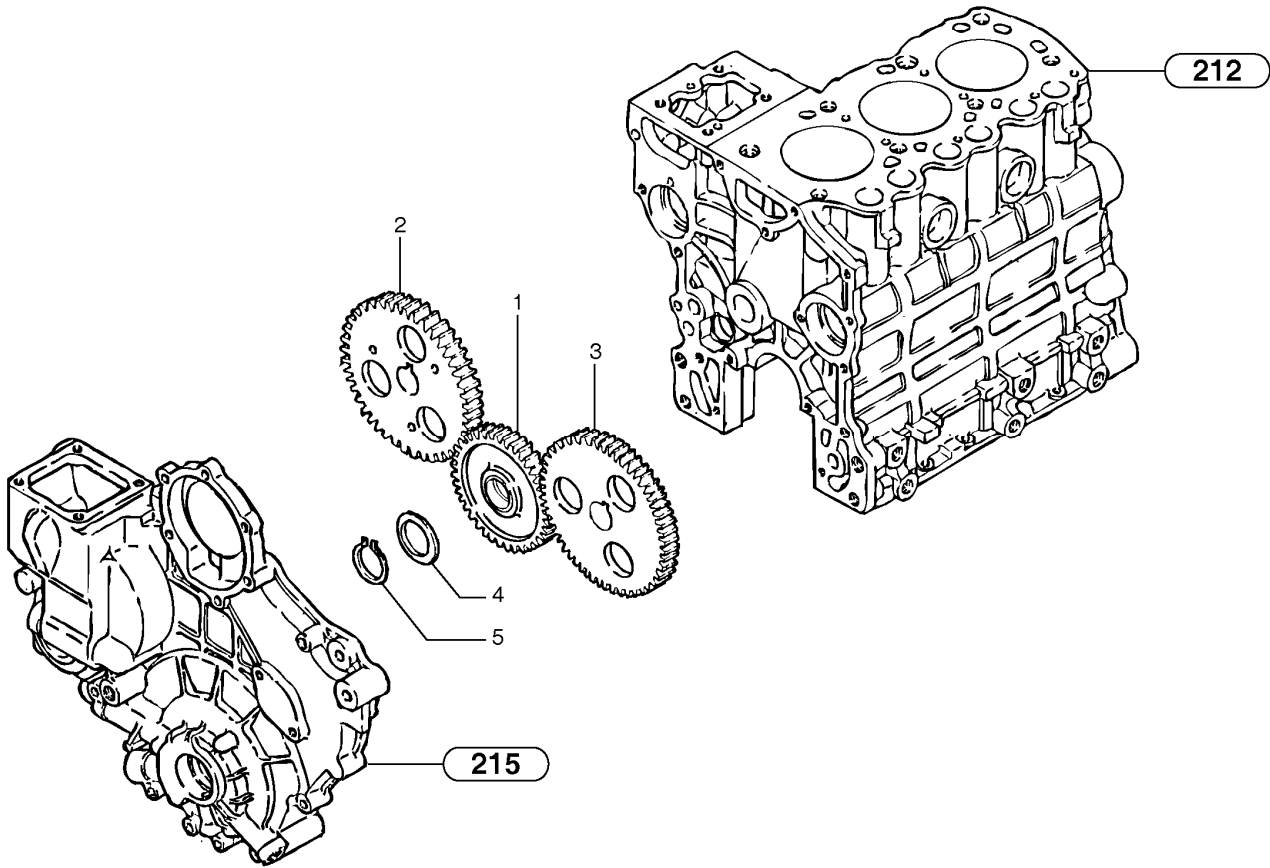


| Q1-Q5 | Option | Option description | |
|--------------|--------|--------------------|--|
| Q1 272.10151 | | | |
| Q2 11809178 | | | |

| Pos | Part | Q1 | Q2 | Q3 | Q4 | Q5 | PS | Kit | Description | Option(s) | Remark |
|-----|-------------|----|----|----|----|----|----|-----|--------------|-----------|-----------------|
| 1 | PJ7415741 | 1 | | | | | | | Oil Pan | | |
| 1 | VOE15043467 | | 1 | | | | | | Gear housing | | |
| 2 | | 1 | | | | | | | •Oil pump | | See ref 221/100 |
| 3 | PJ7410408 | 1 | 1 | | | | | | •Plug | | |
| 4 | PJ7410691 | 1 | 1 | | | | | | •Plug | | |
| 5 | PJ7410579 | 1 | 1 | | | | | | •Plug | | |
| 6 | PJ7410047 | 1 | 1 | | | | | | •Plunger | | |
| 7 | PJ7410659 | 1 | 1 | | | | | | •Spring | | |
| 8 | PJ11715851 | 1 | 1 | | | | | | •Seal | | |
| 9 | PJ7410594 | 1 | 1 | | | | | | Screw | | |
| 10 | PJ7410627 | 1 | 1 | | | | | | Plug | | |
| 11 | PJ7410603 | 2 | 2 | | | | | | O-ring | | |
| 12 | PJ7418368 | 1 | 1 | | | | | | Seal | | |

| | | | | | | | | | | | |
|----|-------------|---|---|--|--|--|--|--|----------------|--|-------------|
| 13 | VOE11716698 | 1 | | | | | | | Oil Filler Cap | | (PJ7410610) |
| 13 | VOE11716698 | | 1 | | | | | | Oil Filler Cap | | |
| 14 | VOE15018325 | 1 | 1 | | | | | | •O-ring | | |
| 15 | PJ7410592 | 3 | 3 | | | | | | Screw | | |
| 16 | PJ7410580 | 1 | 1 | | | | | | Sealing | | |
| 17 | PJ7410593 | 4 | 4 | | | | | | Screw | | |
| 18 | PJ4380030 | 7 | 7 | | | | | | Screw | | |
| 19 | PJ7418432 | 1 | 1 | | | | | | Seal | | |
| 20 | PJ4380042 | 3 | 3 | | | | | | Screw | | |
| 21 | PJ4380030 | 4 | 4 | | | | | | Screw | | |

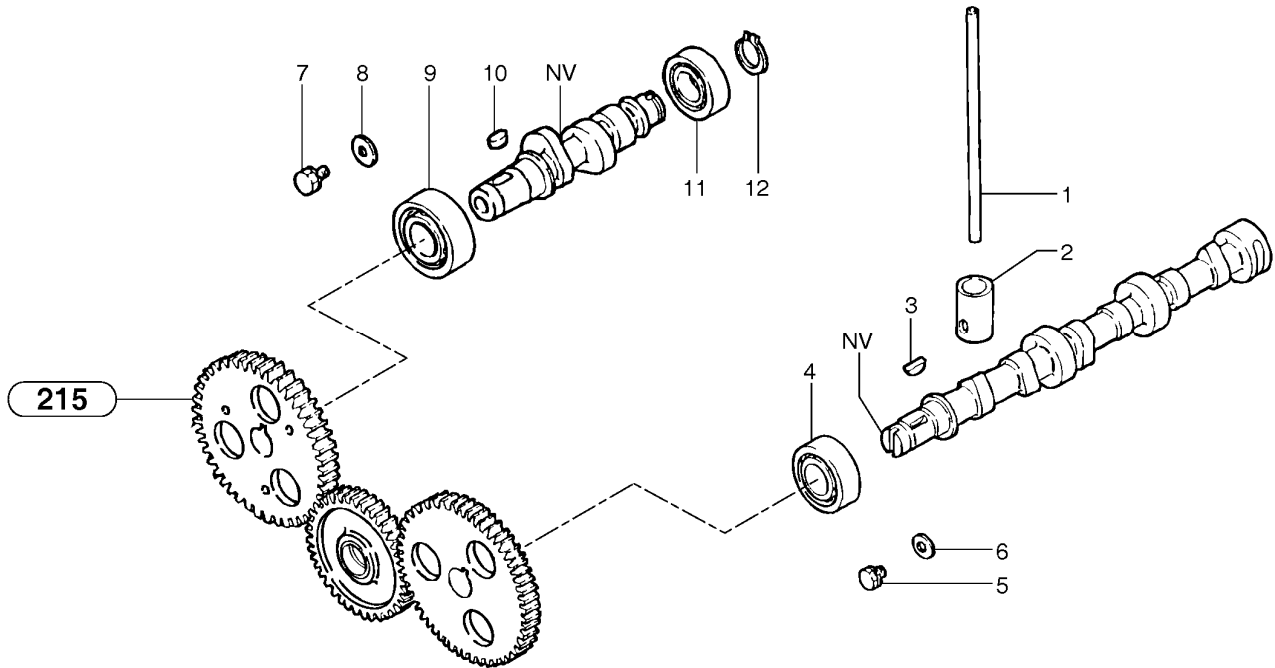
| | | | |
|----------------------------|-------------------------------|----------------------------------|-------------------------------|
| Date: 2013/11/24 | Image id: 215AZ1 | Catalogue: 10017 | Model: EC15B XR |
| Brand: Volvo | Serial: 10151-99999 | Group/Section: 215/300 | Title: Timing gears |



| Q1-Q5 | Option | Option description | |
|--------------|--------|--------------------|--|
| Q1 272.10151 | | | |
| Q2 11809178 | | | |

| Pos | Part | Q1 | Q2 | Q3 | Q4 | Q5 | PS | Kit | Description | Option(s) | Remark |
|-----|-----------|----|----|----|----|----|----|-----|-------------|-----------|--------|
| 1 | PJ7418429 | 1 | 1 | | | | | | Gear | | |
| 2 | PJ7418430 | 1 | 1 | | | | | | Gear | | |
| 3 | PJ7418428 | 1 | 1 | | | | | | Gear | | |
| 4 | PJ7415183 | 1 | 1 | | | | | | Washer | | |
| 5 | PJ7415178 | 1 | 1 | | | | | | Snap Ring | | |

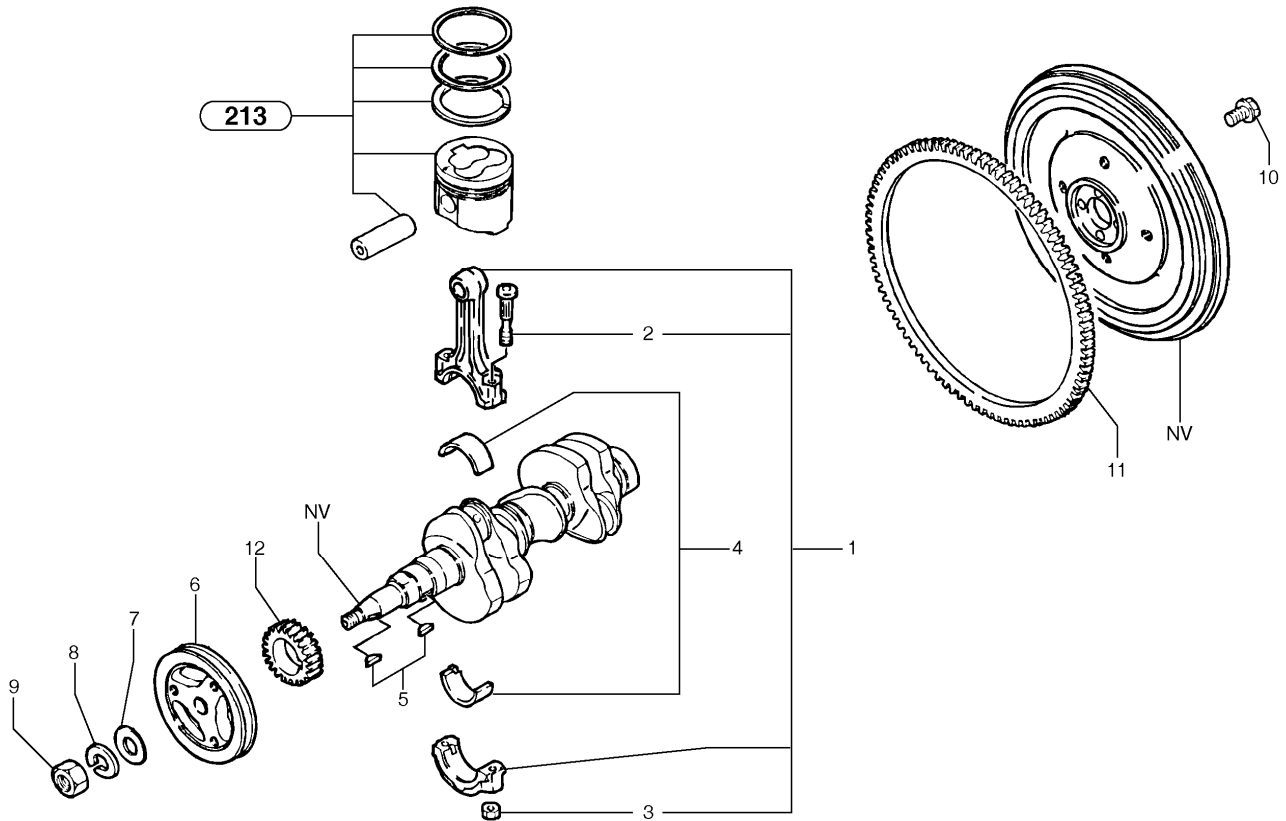
| | | | |
|----------------------------|-------------------------------|----------------------------------|---------------------------|
| Date: 2013/11/24 | Image id: 215BZ1 | Catalogue: 10017 | Model: EC15B XR |
| Brand: Volvo | Serial: 10151-99999 | Group/Section: 215/400 | Title: Camshaft |



| Q1-Q5 | Option | Option description | |
|--------------|--------|--------------------|--|
| Q1 272.10151 | | | |
| Q2 11809178 | | | |

| Pos | Part | Q1 | Q2 | Q3 | Q4 | Q5 | PS | Kit | Description | Option(s) | Remark |
|-----|-----------|----|----|----|----|----|----|-----|--------------|-----------|--------|
| 1 | PJ7410656 | 6 | 6 | | | | | | Rod | | |
| 2 | PJ7410651 | 6 | 6 | | | | | | Tappet | | |
| 3 | PJ7410602 | 1 | 1 | | | | | | Key | | |
| 4 | PJ7410617 | 1 | 1 | | | | | | Ball bearing | | |
| 5 | PJ4380031 | 1 | 1 | | | | | | Screw | | |
| 6 | PJ7410629 | 1 | 1 | | | | | | Washer | | |
| 7 | PJ4380031 | 1 | 1 | | | | | | Screw | | |
| 8 | PJ7410629 | 1 | 1 | | | | | | Washer | | |
| 9 | PJ7410617 | 1 | 1 | | | | | | Ball bearing | | |
| 10 | PJ7410131 | 1 | 1 | | | | | | Key | | |
| 11 | PJ7410618 | 1 | 1 | | | | | | Ball bearing | | |
| 12 | PJ7410606 | 1 | 1 | | | | | | Snap Ring | | |

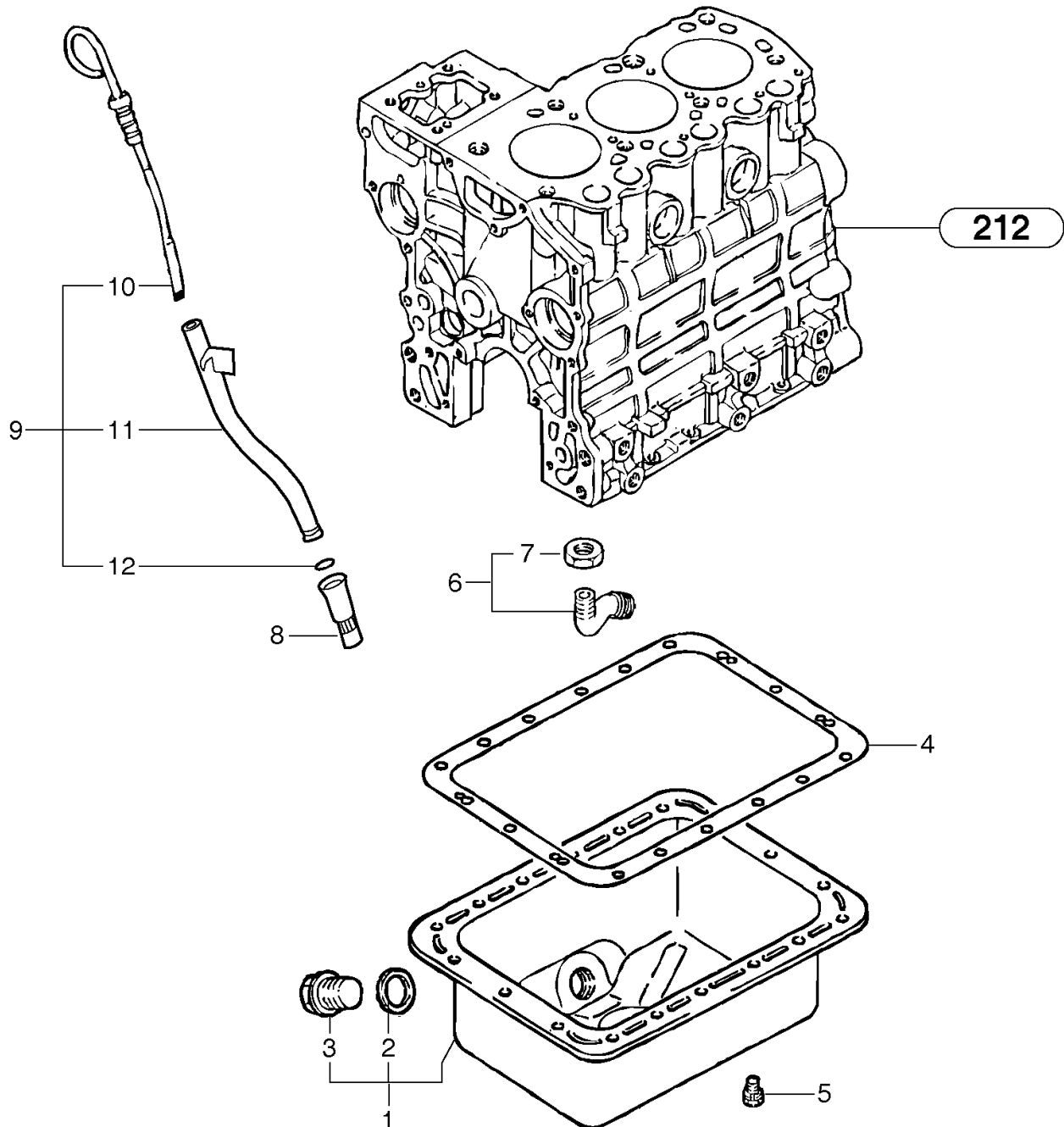
| | | | |
|----------------------------|-------------------------------|----------------------------------|----------------------------------|
| Date: 2013/11/24 | Image id: 216Z1 | Catalogue: 10017 | Model: EC15B XR |
| Brand: Volvo | Serial: 10151-99999 | Group/Section: 216/100 | Title: Connecting rods |



| Q1-Q5 | Option | Option description | |
|--------------|--------|--------------------|--|
| Q1 272.10151 | | | |
| Q2 11809178 | | | |

| Pos | Part | Q1 | Q2 | Q3 | Q4 | Q5 | PS | Kit | Description | Option(s) | Remark |
|-----|-------------|----|----|----|----|----|----|-----|----------------|-----------|--------------------------------|
| 1 | PJ7417045 | 3 | 3 | | | | | | Piston rod | | |
| 2 | PJ7410578 | 6 | 6 | | | | | | •Screw | | |
| 3 | PJ7410045 | 6 | 6 | | | | | | •Nut | | |
| 4 | VOE11716691 | 3 | | | | | | | Connecting Rod | | (PJ7413017)STD SZ |
| 4 | VOE11716691 | | 3 | | | | | | Connecting Rod | | |
| 4 | VOE11716692 | 3 | | | | | | | Connecting Rod | | (PJ7413018) 0,25mm/0.0098in |
| 4 | VOE11716692 | | 3 | | | | | | Connecting Rod | | |
| 4 | PJ7411185 | 3 | | | | | | | Bearings (kit) | | 0,50mm/0.0197in |
| 4 | VOE11716693 | | 3 | | | | | | Connecting Rod | | |
| 5 | PJ7410602 | 2 | 2 | | | | | | Key | | |
| 6 | PJ7415745 | 1 | 1 | | | | | | Pulley | | |
| 7 | PJ7410600 | 1 | 1 | | | | | | Washer | | |

| | | | |
|----------------------------|-------------------------------|----------------------------------|---------------------------------------|
| Date: 2013/11/24 | Image id: 217Z1 | Catalogue: 10017 | Model: EC15B XR |
| Brand: Volvo | Serial: 10151-99999 | Group/Section: 217/100 | Title: Lubrication oil sump |

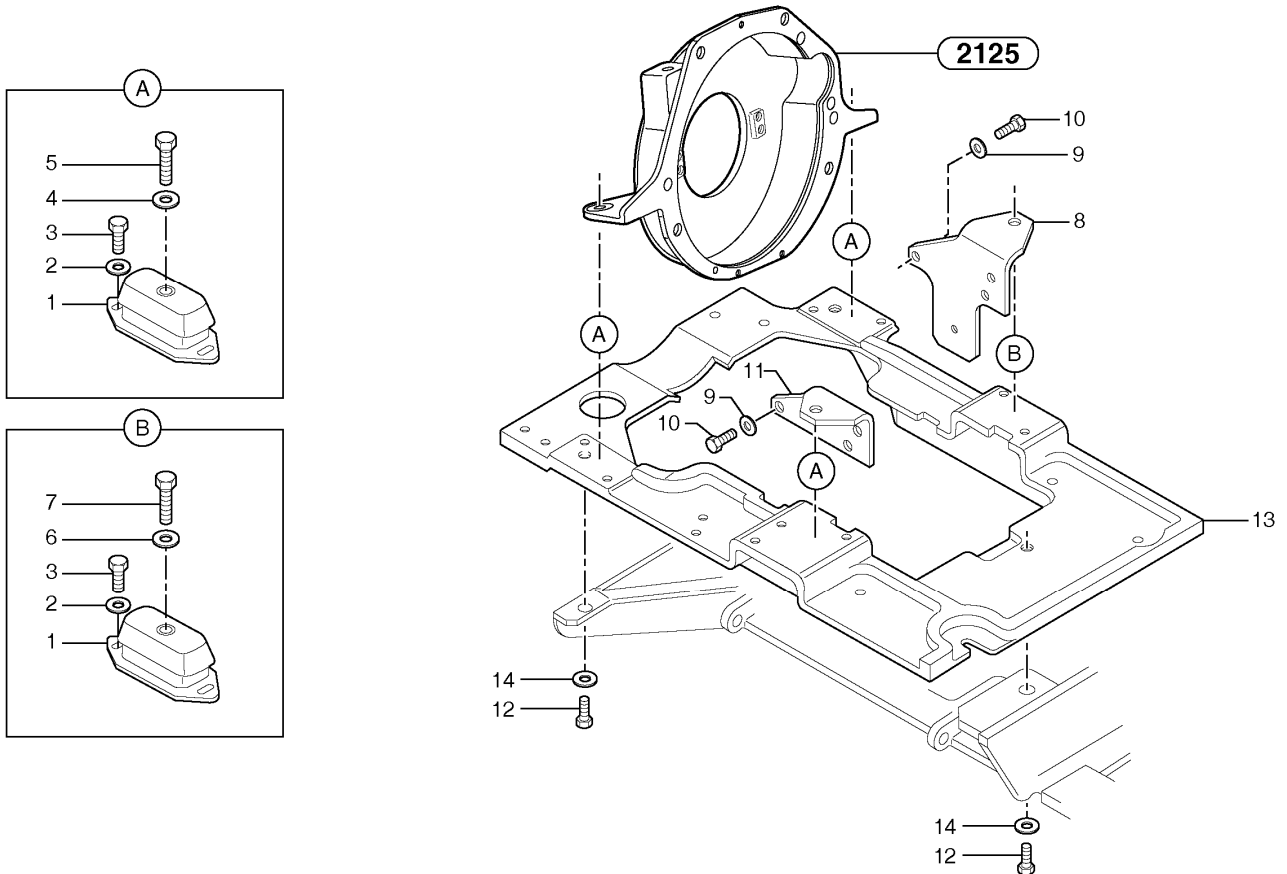


| Q1-Q5 | Option | Option description | |
|--------------|--------|--------------------|--|
| Q1 272.10151 | | | |
| Q2 11809178 | | | |

| Pos | Part | Q1 | Q2 | Q3 | Q4 | Q5 | PS | Kit | Description | Option(s) | Remark |
|-----|------|----|----|----|----|----|----|-----|-------------|-----------|--------|
|-----|------|----|----|----|----|----|----|-----|-------------|-----------|--------|

| | | | | | | | | | | | |
|----|-------------|----|----|--|--|--|----|--|-----------|--|-------------|
| 1 | PJ7413163 | 1 | | | | | | | Oil pan | | |
| 1 | VOE15043468 | | 1 | | | | | | Oil pan | | |
| 2 | VOE11715851 | 1 | 1 | | | | | | •Sealing | | (PJ7410040) |
| 3 | PJ7410041 | 1 | 1 | | | | | | •Plug | | |
| 4 | PJ7418431 | 1 | 1 | | | | | | Seal | | |
| 5 | PJ4380031 | 18 | 18 | | | | | | Screw | | |
| 6 | PJ7413011 | 1 | 1 | | | | | | Strainer | | |
| 7 | PJ7410727 | 1 | 1 | | | | | | •Nut | | |
| 8 | PJ7411338 | 1 | 1 | | | | | | Giude | | |
| 9 | PJ7417046 | 1 | 1 | | | | NS | | Dipstick | | |
| 10 | PJ7416846 | 1 | 1 | | | | | | •Dipstick | | |
| 11 | PJ7417087 | 1 | 1 | | | | | | •Giude | | |
| 12 | PJ4040050 | 1 | 1 | | | | | | •O-ring | | |

| | | | |
|----------------------------|-------------------------------|----------------------------------|--------------------------------|
| Date: 2013/11/24 | Image id: 218Z1 | Catalogue: 10017 | Model: EC15B XR |
| Brand: Volvo | Serial: 10151-99999 | Group/Section: 218/100 | Title: Engine mounts |



| Q1-Q5 | Option | Option description | |
|--------------|--------|--------------------|--|
| Q1 272.10151 | | | |

| Pos | Part | Q1 | Q2 | Q3 | Q4 | Q5 | PS | Kit | Description | Option(s) | Remark |
|-----|-------------|----|----|----|----|----|----|-----|-------------------|-----------|-------------|
| 1 | VOE11802279 | 4 | | | | | | | Bump rubber | | (PJ5140405) |
| 2 | VOE960148 | 8 | | | | | | | Washer | | 10.5x22x2 |
| 3 | VOE967634 | 8 | | | | | | | Hex. socket screw | | CHC M10x20 |
| 4 | VOE13955897 | 3 | | | | | | | Washer | | 13x24x2 |
| 5 | VOE978932 | 3 | | | | | | | Hexagon screw | | M12x30 |
| 6 | VOE13930908 | 1 | | | | | | | Washer | | 13x27x4 |
| 7 | VOE978933 | 1 | | | | | | | Hexagon screw | | H M12x40 |
| 8 | PJ3560630 | 1 | | | | | | | Engine Bracket | | |
| 9 | VOE960148 | 6 | | | | | | | Washer | | 10.5x22x2 |
| 10 | PJ4370015 | 6 | | | | | | | Screw | | HM10X25 |
| 11 | PJ3560339 | 1 | | | | | | | Support | | |
| 12 | VOE978932 | 3 | | | | | | | Hexagon screw | | M12x30 |

| | | | | | | | | | | | |
|----|-------------|---|--|--|--|--|--|--|--------|--|-------------|
| 13 | VOE11805725 | 1 | | | | | | | Cradle | | (PJ5610020) |
| 14 | VOE13955897 | 3 | | | | | | | Washer | | 13x24x2 |

Thank you so much for reading.
Please click the “Buy Now!”
button below to download the
complete manual.



After you pay.

You can download the most
perfect and complete manual in
the world immediately.

Our support email:

ebooklibonline@outlook.com