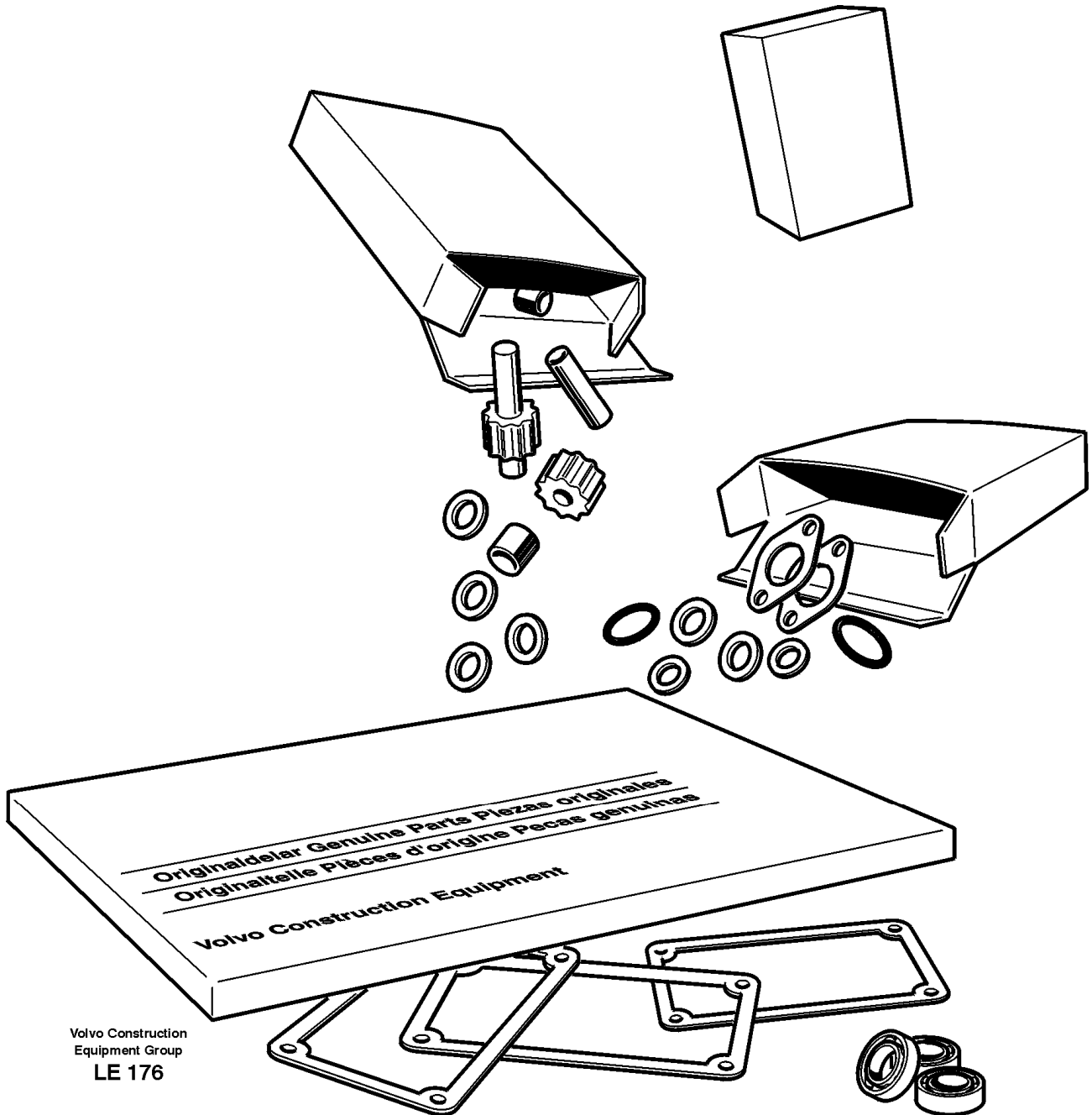


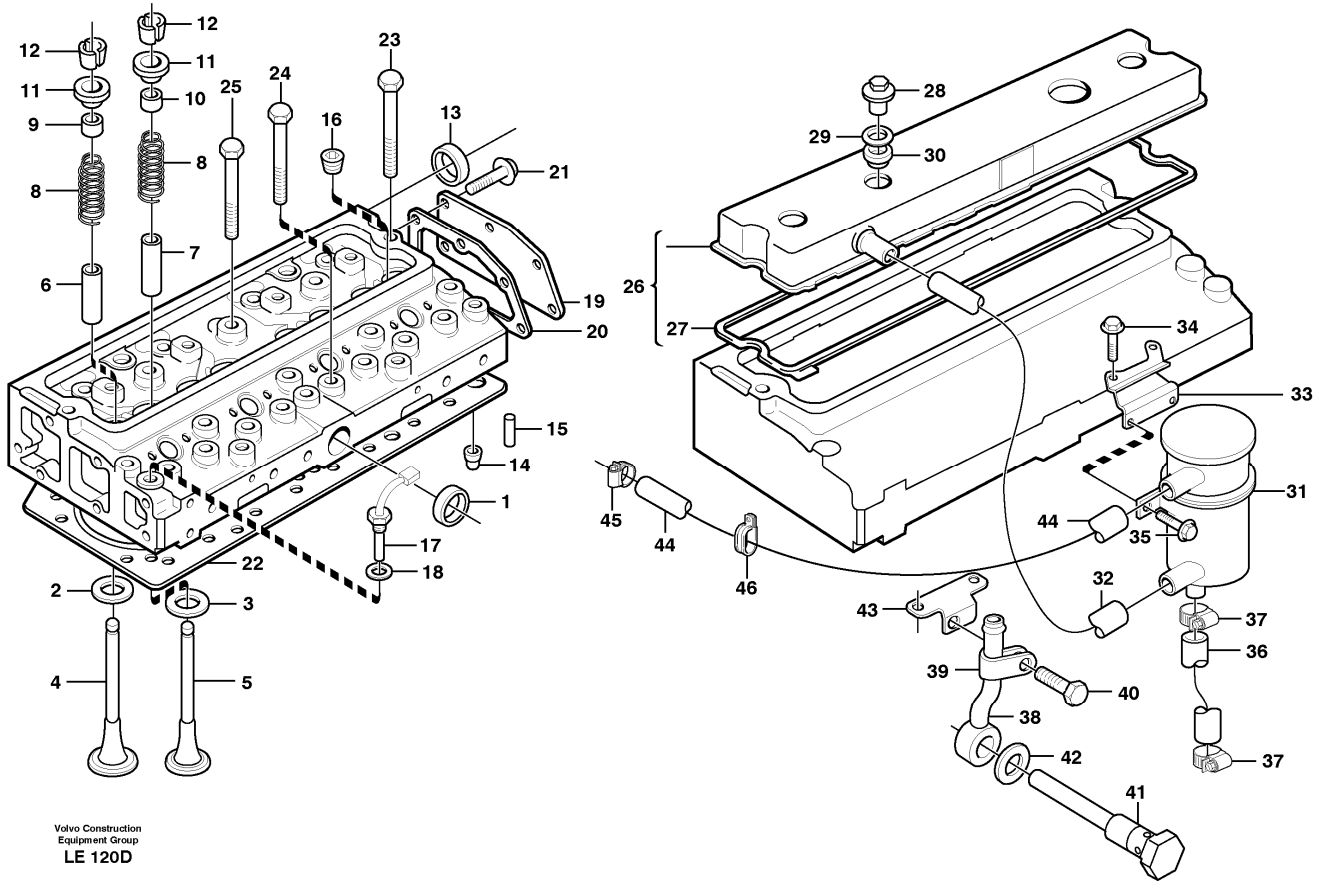
Date: <b>2013/10/9</b>	Image id: <b>LE176</b>	Catalogue: <b>99531</b>	Model: <b>EC160</b>
Brand: <b>Volvo</b>	Serial: <b>1001-1113</b>	Group/Section: <b>210/100</b>	Title: <b>Repair kits for engine TD40GHE, TD40KGE</b>



Section option	Kit	Option description
VOE14370943		Low emission engine TD40KGE
VOE14371017		Low emission engine TD40GHE

Pos	Part	Q1	Q2	Q3	Q4	Q5	PS	Kit	Description	Option(s)	Remark
	VOE14371017	1							Diesel engine		SER NO - 1021, narrow SER NO - 1047, wide TD 40 GHE
	VOE14370943	1							Diesel engine		SER NO 1022-1049, narrow SER NO 1048-1095, wide TD 40 KGE
	VOE14373449	1					SS		Diesel engine		SER NO 1050-, narrow SER NO 1096-, wide TD 40 KGE
1	VOE11703956	1					SS		Gasket kit		
									•For upper engine part		
	VOE3976803	1							••Gasket		(VOE11704237)
	VOE11708206	1							••Gasket		(VOE11705297)
	VOE11703915	1							••Gasket		
	VOE11703916	1							••Gasket		
	VOE11703925	1							••Gasket		
	VOE11703934	1							••Gasket		
	VOE3976779	1							••Gasket		
	VOE3976568	1							••Washer		
	VOE11708052	1							••Gasket		(VOE3976776)
	VOE11703877	1							••Valve seal		
	VOE11703879	1							••Valve seal		
	VOE483510	2							••Sealing ring		
	VOE11703957	1							Gasket kit		

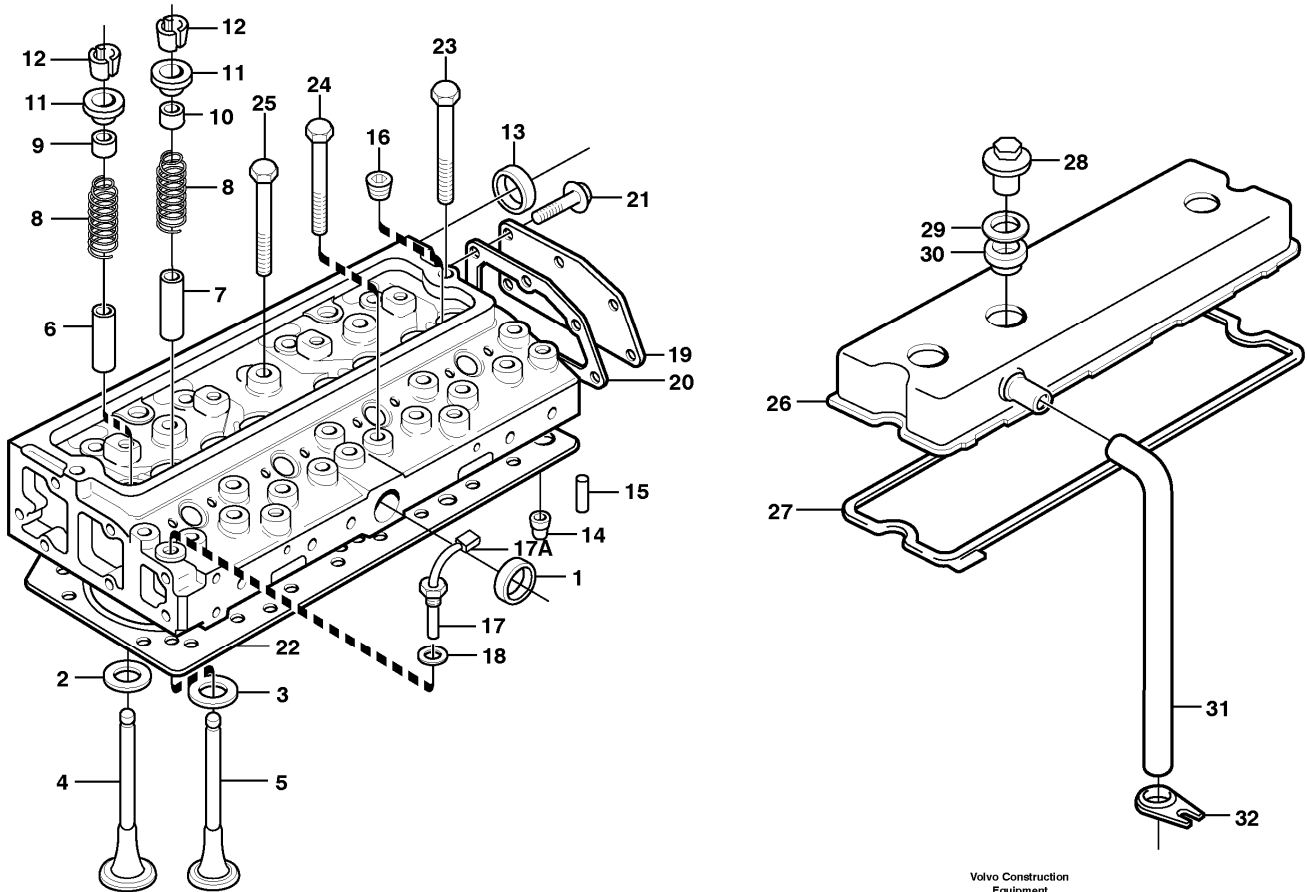
Date: <b>2013/10/9</b>	Image id: <b>LE120D</b>	Catalogue: <b>99531</b>	Model: <b>EC160</b>
Brand: <b>Volvo</b>	Serial: <b>1001-1113</b>	Group/Section: <b>211/100</b>	Title: <b>Cylinder head TD 40GHE</b>



Pos	Part	Q1	Q2	Q3	Q4	Q5	PS	Kit	Description	Option(s)	Remark
	VOE11706970	1							Cylinder head		(VOE11704236)
1	VOE483898	1							•Plug		
2	VOE3976534	4							•Valve seat		
3	VOE3976535	4							•Valve seat		
4	VOE3976536	4							•Valve		
5	VOE11703878	4							•Exhaust valve		
6	VOE11709760	4					SS		•Valve guide		(VOE3976537)
7	VOE11706969	4							•Valve guide		(VOE3976729)
8	VOE3976538	8							•Valve spring		(VOE11703876)
9	VOE11703877	4							•Valve seal		
10	VOE11703879	4							•Valve seal		
11	VOE3976540	8							•Valve spring washer		
12	VOE3976541	16							•Valve sleeve		
13	VOE11997807	1							Plug		

14	VOE11703880	2							Dowel		
15	VOE950562	2							Pin		
16	VOE11997843	1							Plug		
17	VOE14378636	1					SS		Temperature sensor		B4
17A	VOE14370860	1							•Cable terminal		
	VOE14370881	1							•Spacer		
	VOE14370761	1							•Connector		
18	VOE7011996	1							Gasket		
19		1					NS		Cover		
20	VOE11703915	1							Gasket		
21		6					NS		Screw		
22	VOE3976803	1							Gasket		(VOE11704237)
23	VOE11997844	2							Screw		
24	VOE11997845	8							Bolt		
25	VOE11997846	12							Bolt		
26	VOE11706635	1					SS		Valve cover		(VOE11705456)
27	VOE11708206	1							•Gasket		
28	VOE11988395	3							Nut		(VOE11999025)
29	VOE11997049	3							Sealing ring		
30	VOE13955900	3							Washer		
31	VOE11705553	1							Ventilation unit		
	VOE11707285	1							•Strainer		(VOE11701703)
32	VOE11705554	1							Hose		
33	VOE11705555	1							Bracket		
34	VOE946441	2							Flange screw		
35	VOE13947542	2							Screw		
36	VOE11706636	1							Hose		(VOE11705556)
37	VOE13943472	2							Hose clamp		
38	VOE11705557	1					OP		Pipe		
39	VOE11705561	1							Clamp		
40	VOE946440	1							Flange screw		
41	VOE11705559	1					OP		Pipe		
42	VOE11705558	2							Washer		
43	VOE11705560	1					OP		Bracket		
44		1							Hose		SER NO - 1049 See ref 256/150
		1							Hose		SER NO 1050 - See ref 252/200
45	VOE943473	2							Hose clamp		
46	VOE11708213	1							Clamp		(VOE11708166)

Date: <b>2013/10/9</b>	Image id: <b>LE304</b>	Catalogue: <b>99531</b>	Model: <b>EC160</b>
Brand: <b>Volvo</b>	Serial: <b>1001-1113</b>	Group/Section: <b>211/200</b>	Title: <b>Cylinder head TD 40KGE</b>

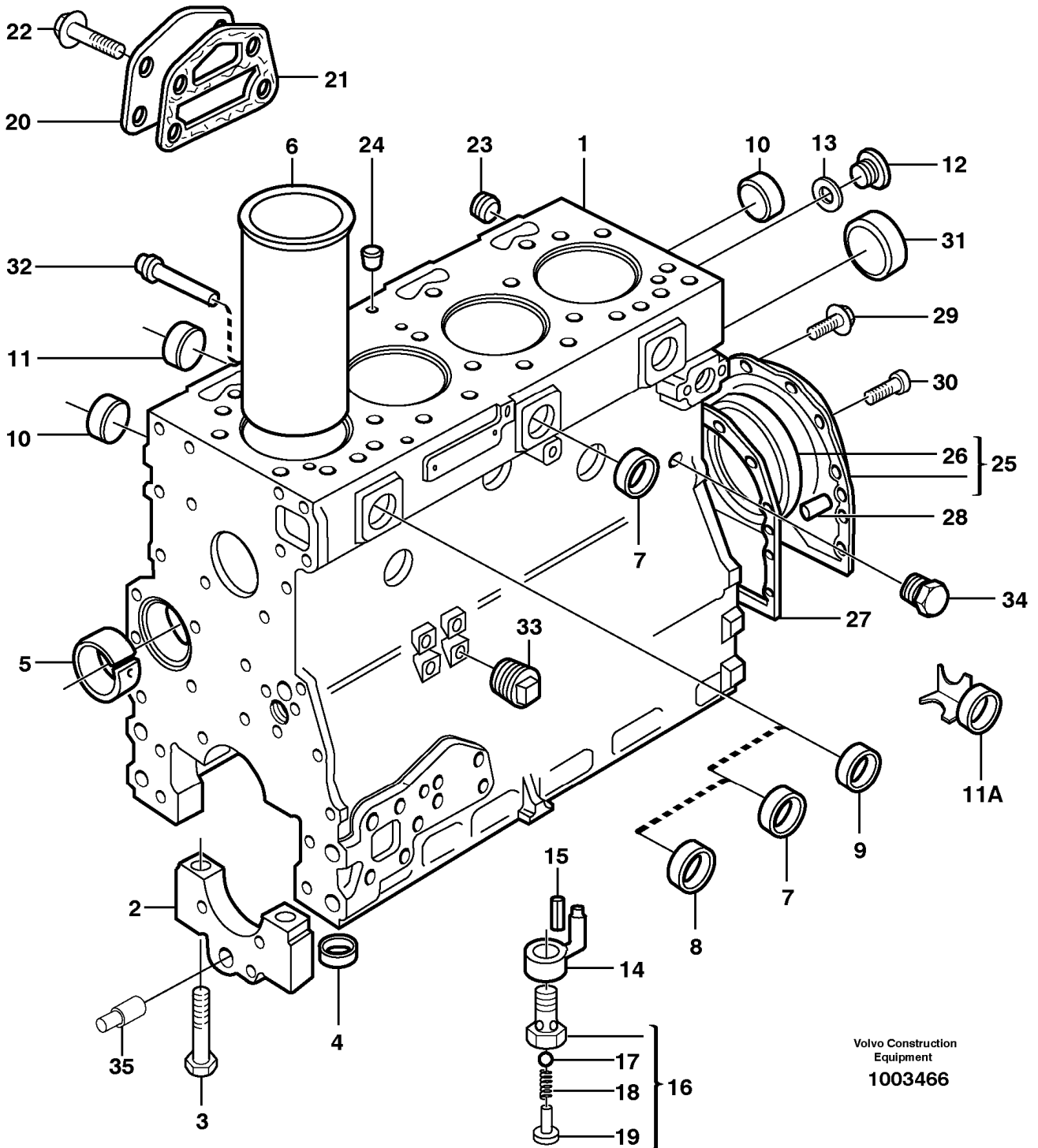


Volvo Construction  
Equipment  
LE 304

Pos	Part	Q1	Q2	Q3	Q4	Q5	PS	Kit	Description	Option(s)	Remark
	VOE11706970	1							Cylinder head		(VOE11704236)
1	VOE483898	1							•Plug		
2	VOE3976534	4							•Valve seat		
3	VOE3976535	4							•Valve seat		
4	VOE3976536	4							•Valve		
5	VOE11703878	4							•Exhaust valve		
6	VOE11709760	4					SS		•Valve guide		(VOE3976537)
7	VOE11706969	4							•Valve guide		(VOE3976729)
8	VOE3976538	8							•Valve spring		(VOE11703876)
9	VOE11703877	4							•Valve seal		
10	VOE11703879	4							•Valve seal		
11	VOE3976540	8							•Valve spring washer		
12	VOE3976541	16							•Valve sleeve		

13	VOE11997807	1						Plug		
14	VOE11703880	2						Dowel		
15	VOE950562	2						Pin		
16	VOE11997843	1						Plug		
17	VOE14378636	1					SS	Temperature sensor		B4
17A	VOE14370860	1						•Cable terminal		
	VOE14370881	1						•Spacer		
	VOE14370761	1						•Connector		
18	VOE7011996	1						Gasket		
19		1					NS	Cover		
20	VOE11703915	1						Gasket		
21		6					NS	Screw		
22	VOE3976803	1						Gasket		(VOE11704237)
23	VOE11997844	2						Screw		
24	VOE11997845	8						Bolt		
25	VOE11997846	12						Bolt		
26	VOE11706635	1					SS	Valve cover		(VOE11705456)
27	VOE11708206	1						Gasket		(VOE3976592)
28	VOE11988395	3						Nut		(VOE11999025)
29	VOE13955900	3						Washer		
30	VOE11997049	3						Sealing ring		
31	VOE11997991	1						Pipe		
32	VOE11997994	1						Bracket		

Date: <b>2013/10/9</b>	Image id: <b>1003466</b>	Catalogue: <b>99531</b>	Model: <b>EC160</b>
Brand: <b>Volvo</b>	Serial: <b>1001-1113</b>	Group/Section: <b>212/100</b>	Title: <b>Cylinder block</b>

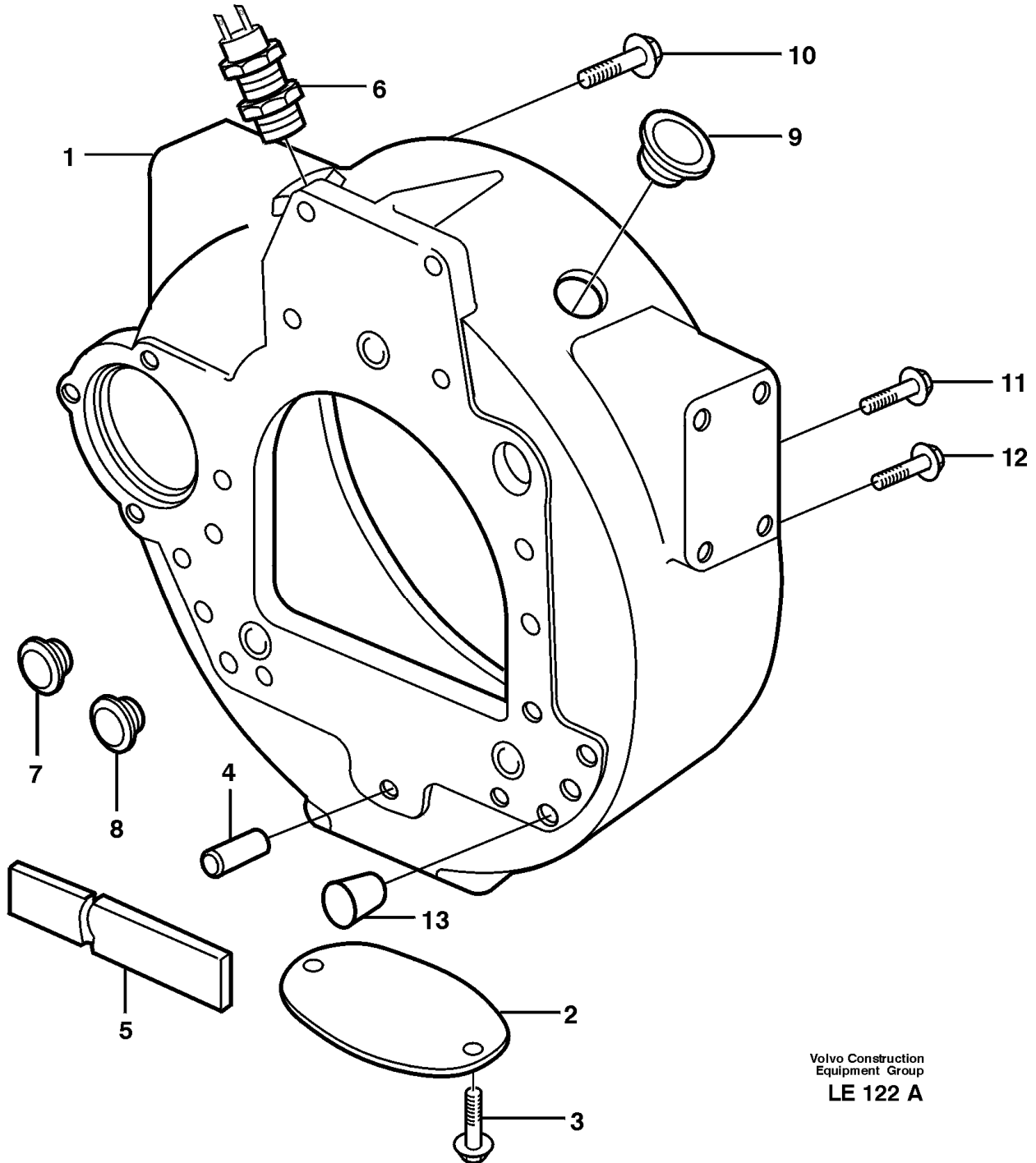


Pos	Part	Q1	Q2	Q3	Q4	Q5	PS	Kit	Description	Option(s)	Remark
1	VOE11704870	1					SS		Cylinder block		

2		5					NS		•Bearing carrier		
3	VOE6210370	10							•Screw		
4	VOE483302	10							•Guide sleeve		
5	VOE3976506	1							•Bushing		
6		4							•Cylinder liner		See ref 213/100
7	VOE483898	6							•Plug		
8	VOE11700782	1							•Plug		
9	VOE11997805	1							•Plug		
10	VOE11997807	6							•Plug		
11	VOE3976594	3							•Plug		
11A	VOE11709818	1							•Plug		ENG U201724H -
12	VOE11997843	1							•Plug		
13	VOE11997810	1							•Washer		
14	VOE11714691	4							•Nozzle		(VOE3976817)
15	VOE11997816	1							••Dowel		
16	VOE11997817	4							•Valve		
17	VOE11997818	1							••Ball		
18	VOE11997819	1							••Spring		
19	VOE11997820	1							••Retainer		
20	VOE11700781	1					NS		•Cover		
21	VOE11998009	1							•Gasket		(VOE11998163)
22	VOE11998031	4							•Screw		
23	VOE968147	1							•Plug		
24	VOE483645	1							Plug		
25	VOE11998999	1							Cover		ENG - U176356H
26	VOE6212971	1							•Sealing ring		
	VOE11709507	1							Crankshaft seal		ENG U176357H -
	VOE11709508	1							Wear sleeve		ENG U176357H -
27	VOE11706327	1							Gasket		(VOE11997013)
28	VOE480219	2							Pin		
29	VOE13946173	12							Screw		
30	VOE11997812	2							Screw		
31	VOE3976749	1							Plug		
32	VOE11997808	1							Plug		
33	VOE7016325	1							Plug		
34	VOE482291	2							Plug		
35	VOE11988321	1							Shaft		



Date: <b>2013/10/9</b>	Image id: <b>LE122A</b>	Catalogue: <b>99531</b>	Model: <b>EC160</b>
Brand: <b>Volvo</b>	Serial: <b>1001-1113</b>	Group/Section: <b>212/200</b>	Title: <b>Flywheel housing</b>

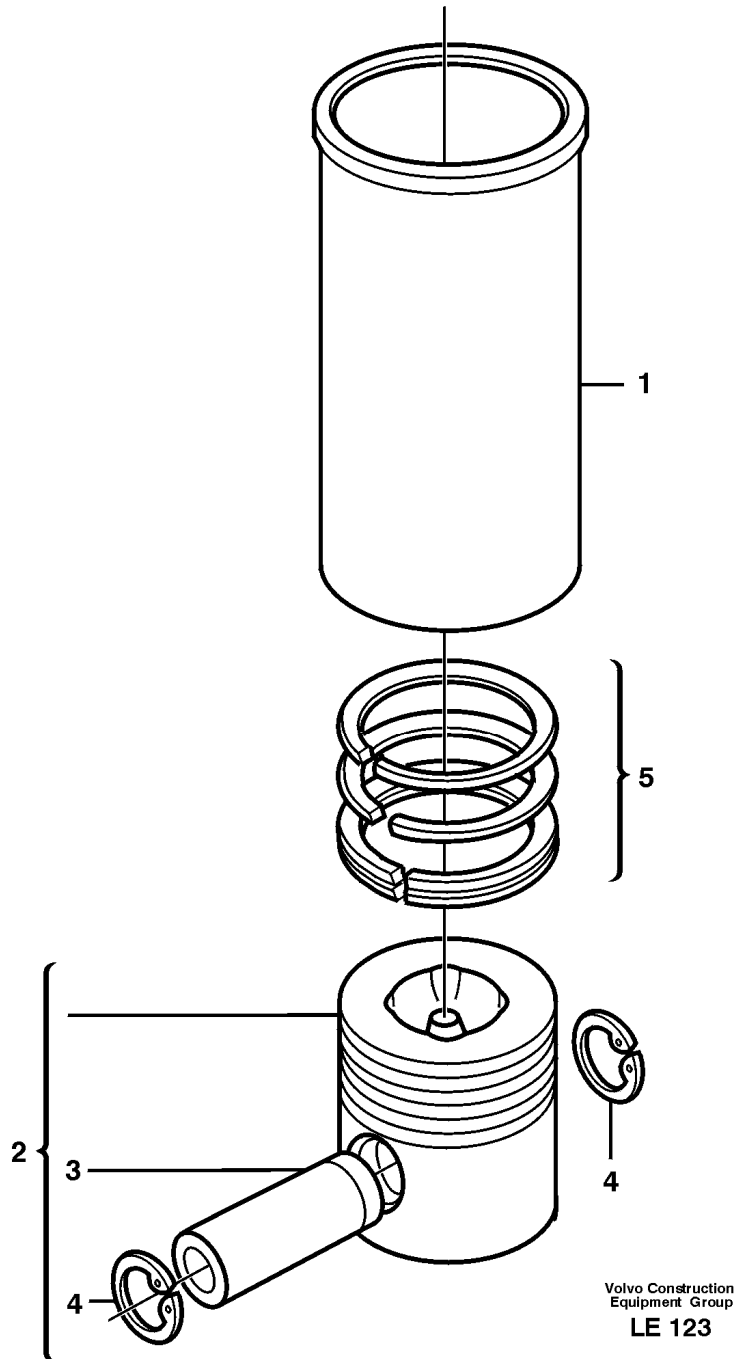


Volvo Construction  
Equipment Group  
**LE 122 A**

Pos	Part	Q1	Q2	Q3	Q4	Q5	PS	Kit	Description	Option(s)	Remark
1	VOE11705304	1							Flywheel housing		

2		1					NS		Plate		
3	VOE13965175	2							Screw		
4	VOE483449	2							Pin		
5	VOE6211401	1							Gasket		(VOE11702569)
6	VOE14370484	1							Induction sensor		B5
7	VOE11709238	1							Plug		(VOE11702143)
8	VOE11705305	1							Plug		
9	VOE11997943	1							Plug		
10	VOE13965191	2							Screw		
11	VOE11701723	6					SS		Screw		
12	VOE946471	3							Flange screw		
13	VOE11701655	6							Plug		

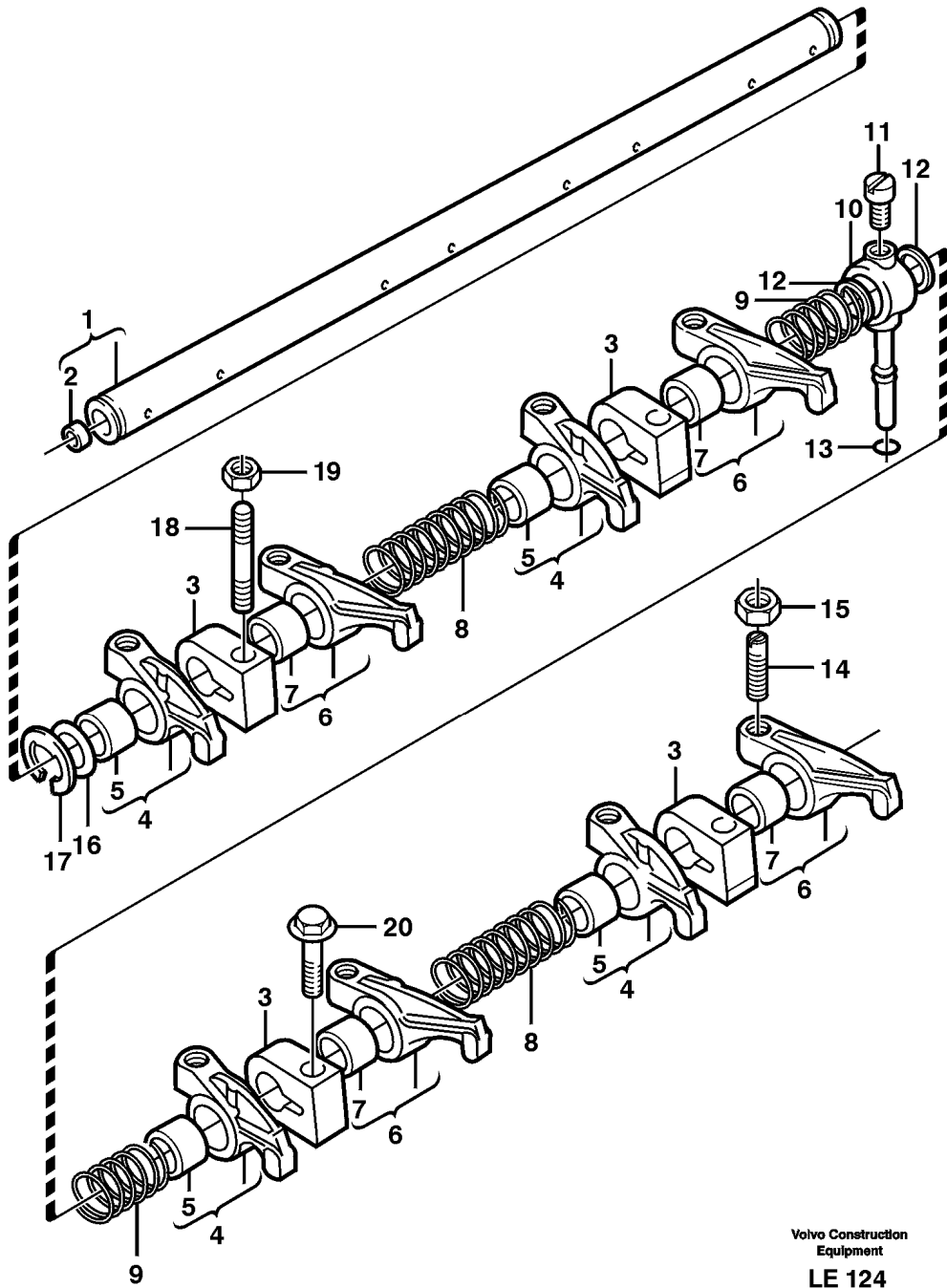
Date: <b>2013/10/9</b>	Image id: <b>LE123</b>	Catalogue: <b>99531</b>	Model: <b>EC160</b>
Brand: <b>Volvo</b>	Serial: <b>1001-1113</b>	Group/Section: <b>213/100</b>	Title: <b>Cylinder liner and piston</b>



Pos	Part	Q1	Q2	Q3	Q4	Q5	PS	Kit	Description	Option(s)	Remark
1	VOE11998997	4							Cylinder Liner		

2	VOE3976526	4						Piston Kit		(VOE11703873)
3		4					NS	•Piston pin		
4	VOE11998877	8						•Snap Ring		
5	VOE3976736	4						Piston Ring Kit		

Date: <b>2013/10/9</b>	Image id: <b>LE124</b>	Catalogue: <b>99531</b>	Model: <b>EC160</b>
Brand: <b>Volvo</b>	Serial: <b>1001-1113</b>	Group/Section: <b>214/100</b>	Title: <b>Valve mechanism</b>

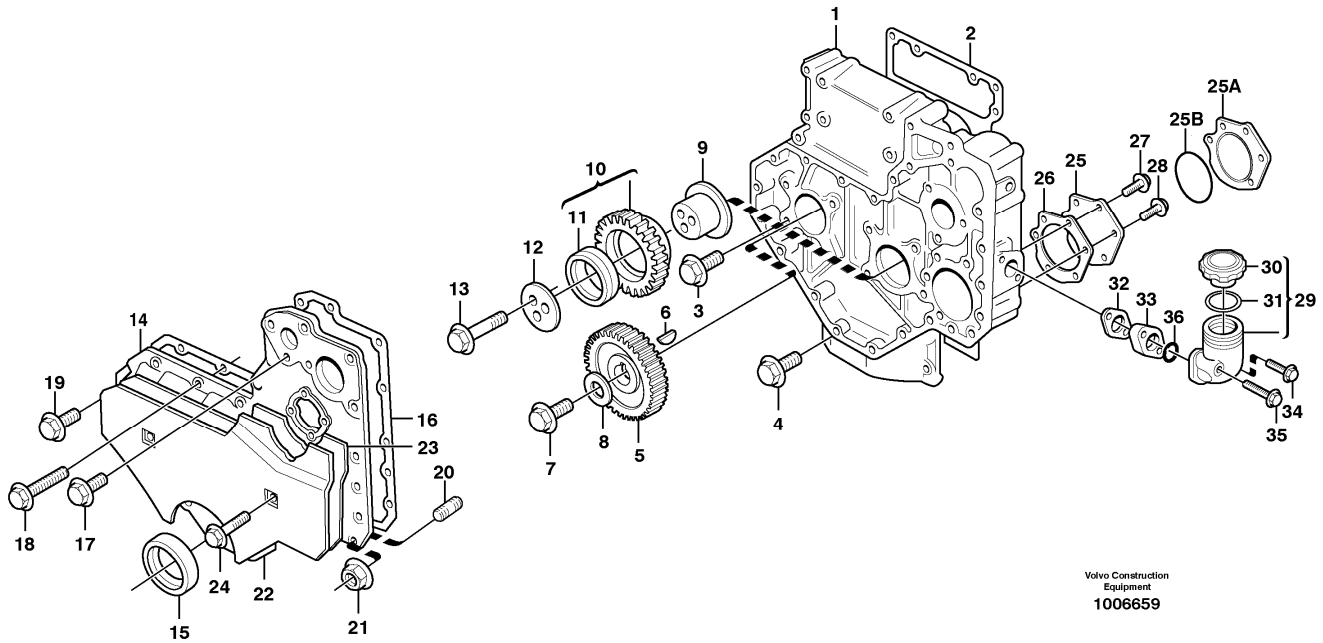


Volvo Construction  
Equipment  
**LE 124**

Pos	Part	Q1	Q2	Q3	Q4	Q5	PS	Kit	Description	Option(s)	Remark
1	VOE3976548	1							Rocker Arm Shaft		

2	VOE6613201	2							•Plug		
3	VOE11997850	4							Bearing Bracket		
4	VOE11703882	4							Rocker Arm		
5	VOE11988424	4							•Bushing		(VOE3976738)
6	VOE11703883	4					SS		Rocker Arm		
7	VOE11988424	4							•Bushing		(VOE3976738)
8	VOE483363	2							Spring		
9	VOE483364	2							Spring		
10	VOE11997853	1							Pipe		
11	VOE11997854	1							Screw		
12	VOE11997855	2							Shim		
13	VOE483510	1							Sealing ring		
14	VOE3976859	8							Stud		(VOE6616717)
15	VOE940175	8							Nut		
16	VOE11703884	2							Washer		
17	VOE483470	2							Lock Ring		
18	VOE11997857	3							Stud		
19	VOE13971096	3							Flange nut		
20	VOE11997858	1							Screw		

Date: <b>2013/10/9</b>	Image id: <b>1006659</b>	Catalogue: <b>99531</b>	Model: <b>EC160</b>
Brand: <b>Volvo</b>	Serial: <b>1001-1113</b>	Group/Section: <b>215/100</b>	Title: <b>Timing gear casing</b>

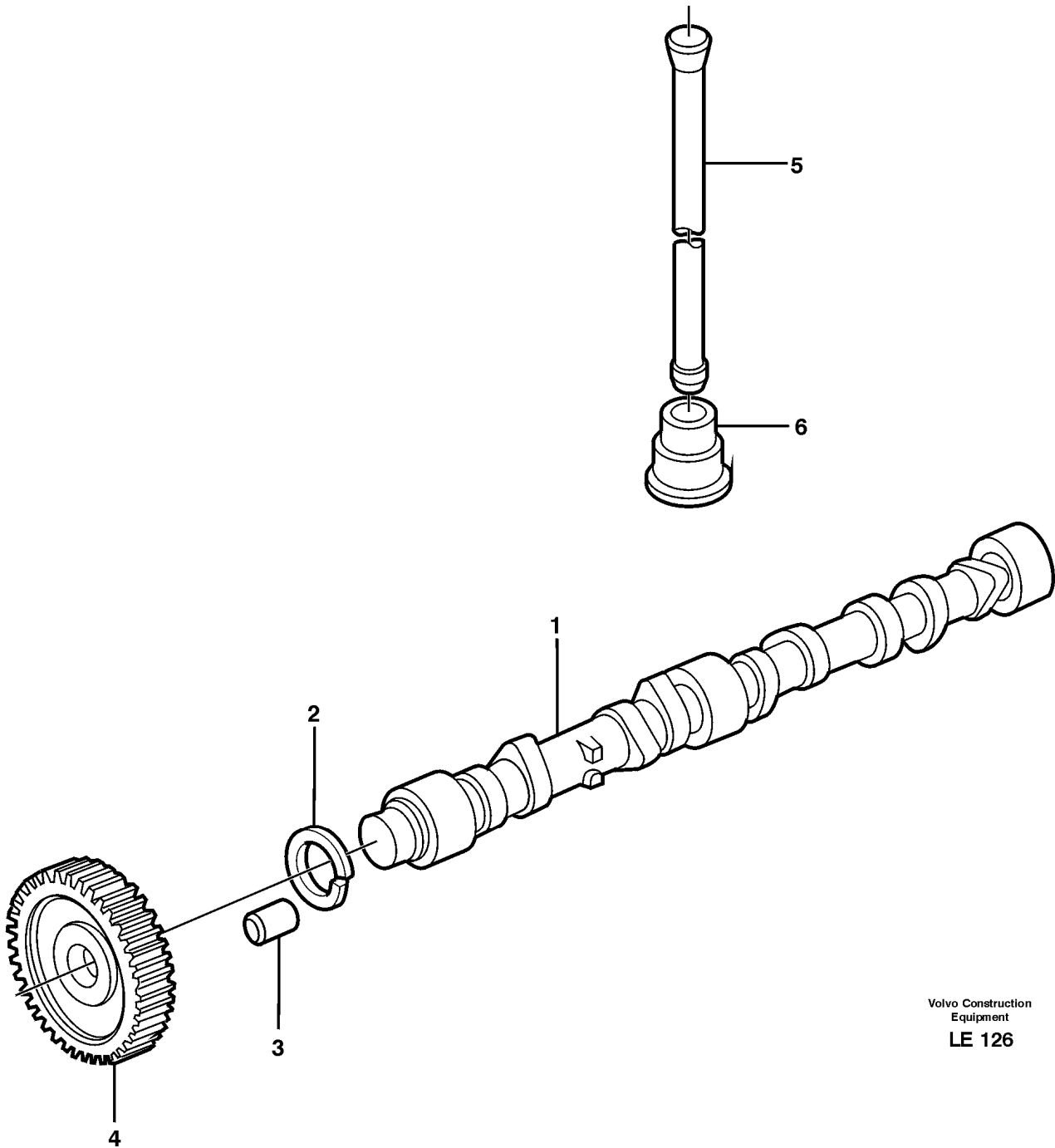


Pos	Part	Q1	Q2	Q3	Q4	Q5	PS	Kit	Description	Option(s)	Remark
1	VOE11710631	1							Tmg Gear Casing		(VOE11703885)
	VOE11708981	1							Plug		
2	VOE11711203	1							Gasket		(VOE11997879)
3	VOE13946173	8							Flange screw		
4	VOE13945444	4							Flange screw		
5	VOE11700783	1							Gear		
6	VOE483448	1							Key		
7	VOE11701555	1							Screw		
8	VOE11997885	1							Washer		
9	VOE6642825	1							Hub		
10	VOE11997886	1							Gear		
11	VOE6642824	1							•Bearing Bushing		
12	VOE11701556	1					SS		Plate		
13	VOE13965187	3							Flange screw		
14	VOE11707751	1							Cap		(VOE11703887)
15	VOE6212928	1							Seal		
16	VOE11988377	1							Gasket		(VOE11703888)
17	VOE13965181	6							Flange screw		
18	VOE13945444	1							Flange screw		
19	VOE946671	7							Flange screw		(VOE11997901)
20	VOE11997915	2							Stud		
21	VOE13945408	2							Nut		

22	VOE3976562	1							Noise Shield		
23	VOE3976563	1							Sound Absorber		
24	VOE13945358	2							Screw		
25	VOE11709021	1							Cap		(VOE11703637)E PROD
26	VOE11998164	1							Gasket		E PROD
25A	VOE11709021	1							Cap		L PROD
25B	VOE11709022	1							•O-ring		L PROD
27	VOE11703644	5							Screw		
28	VOE946441	1							Flange screw		
29	VOE11703905	1							Filler housing		
30	VOE11701706	1							•Cap		
31	VOE11999028	1							••O-ring		
32	VOE11997997	2							Gasket		
33	VOE11707643	1							Spacer		(VOE11703906)
34	VOE13965181	1							Flange screw		
35	VOE11997968	1							Screw		
36	VOE11999029	1							O-ring		



Date: <b>2013/10/9</b>	Image id: <b>LE126</b>	Catalogue: <b>99531</b>	Model: <b>EC160</b>
Brand: <b>Volvo</b>	Serial: <b>1001-1113</b>	Group/Section: <b>215/200</b>	Title: <b>Camshaft</b>

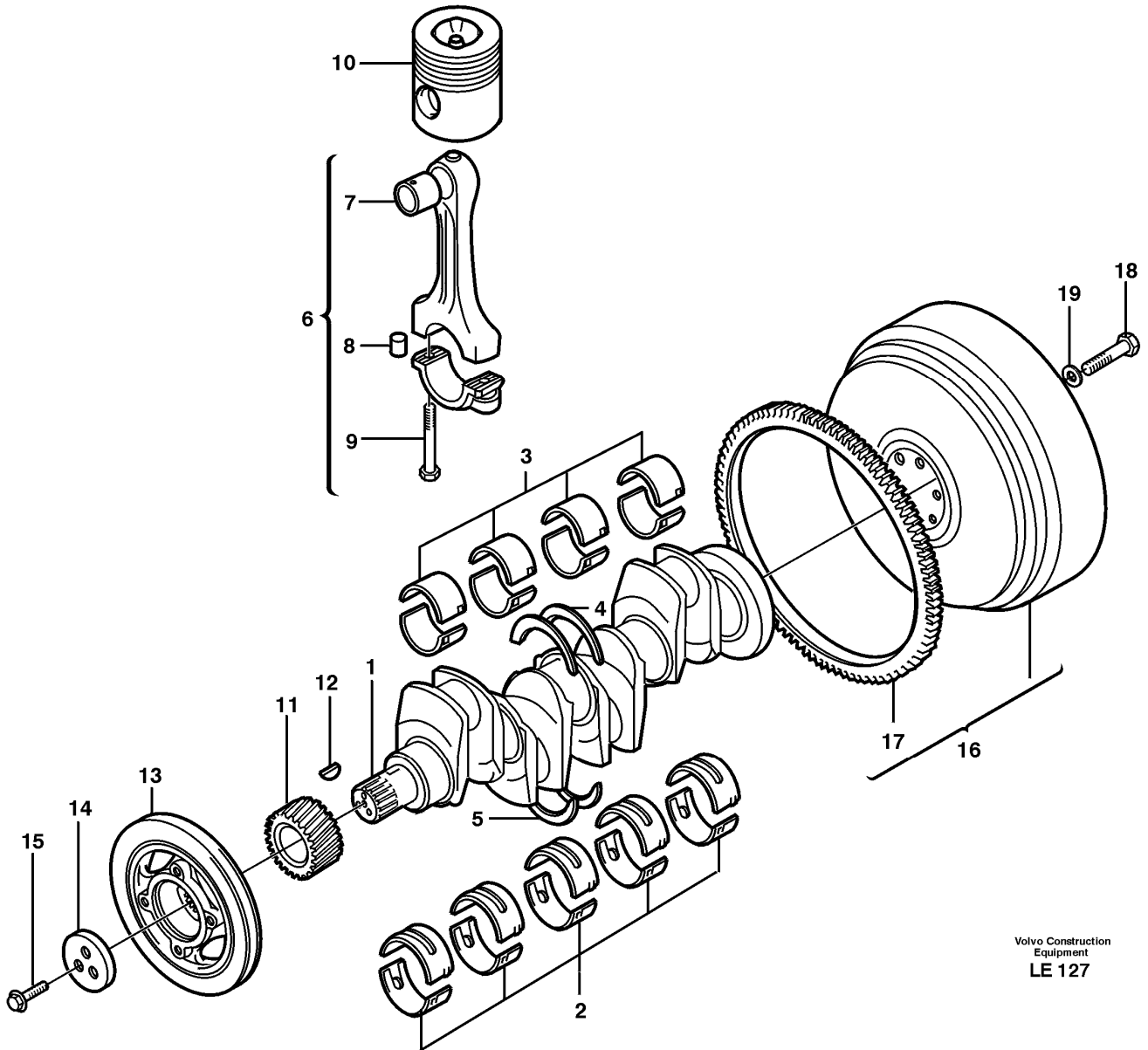


Volvo Construction  
Equipment  
LE 126

Pos	Part	Q1	Q2	Q3	Q4	Q5	PS	Kit	Description	Option(s)	Remark
1	VOE11703886	1							Camshaft		



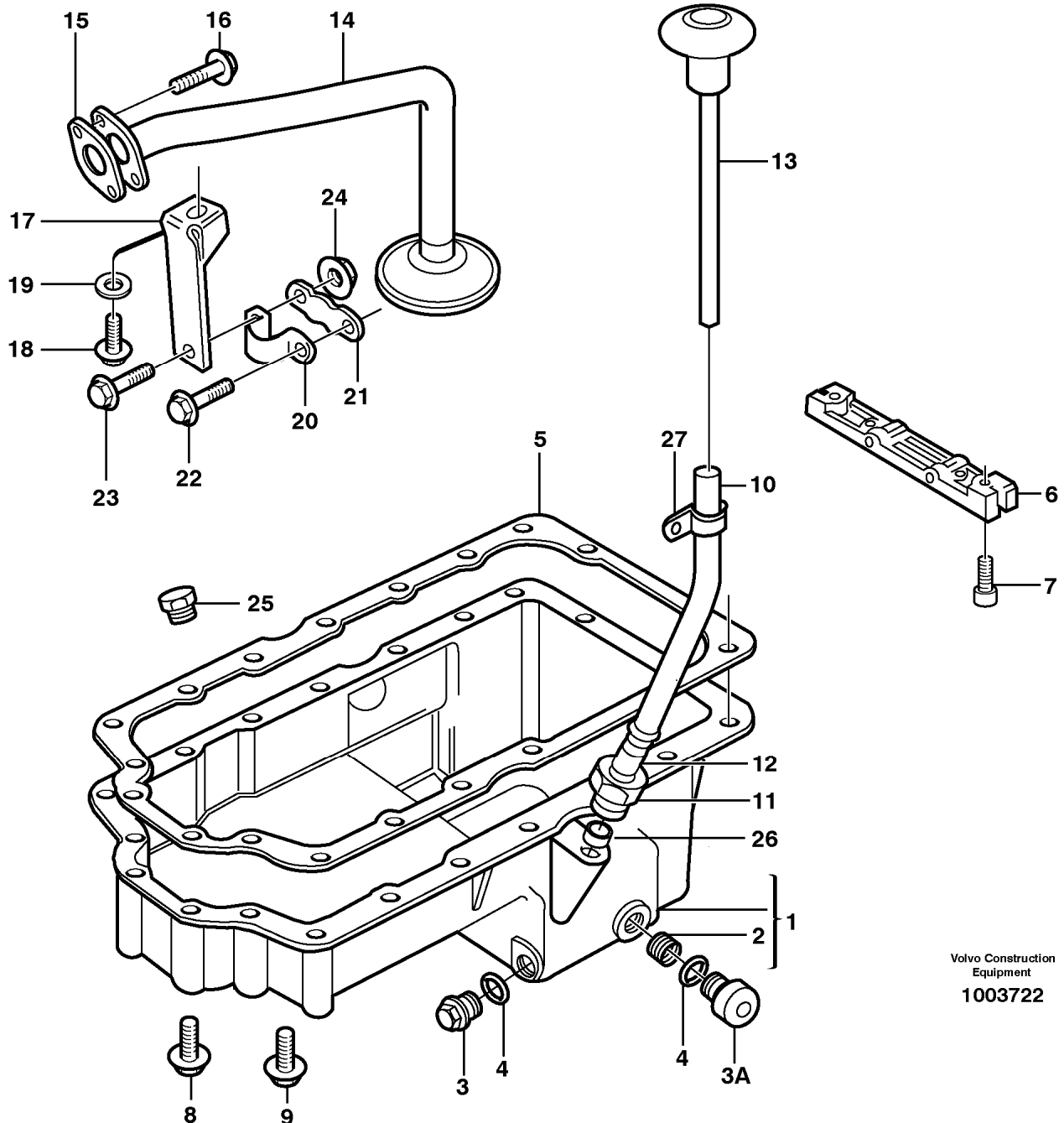
Date: <b>2013/10/9</b>	Image id: <b>LE127</b>	Catalogue: <b>99531</b>	Model: <b>EC160</b>
Brand: <b>Volvo</b>	Serial: <b>1001-1113</b>	Group/Section: <b>216/100</b>	Title: <b>Crankshaft and related parts</b>



Pos	Part	Q1	Q2	Q3	Q4	Q5	PS	Kit	Description	Option(s)	Remark
1	VOE11994472	1					SS		Crankshaft		
2	VOE483350	1							Mn Bearing Kit		STD SZ
	VOE483351	1							Mn Bearing Kit		0,25MM U SZ
	VOE483352	1							Mn Bearing Kit		0,50MM U SZ
	VOE483353	1							Mn Bearing Kit		0,75MM U SZ
3	VOE11997824	1							Big End Brg Kit		STD SZ

	VOE11997825	1							Big End Brg Kit		0,25MM U SZ
	VOE11997826	1							Big End Brg Kit		0,50MM U SZ
	VOE11997827	1							Big End Brg Kit		0,75MM U SZ
4	VOE483336	2							Thrust Washer		STD SZ
	VOE483338	2							Thrust Washer		0,19MM O SZ
5	VOE483337	2							Thrust Washer		STD SZ
	VOE483339	2							Thrust Washer		0,19MM O SZ
6	VOE11703872	4					SS		Connecting Rod Kit		
7	VOE3976525	4							•Bushing		
8	VOE11999005	8							•Socket		
9	VOE11999004	8							•Screw		
10		4							Piston kit		See ref 213/100
11	VOE11997833	1							Gear		
12	VOE483448	1							Key		
13	VOE11997037	1							Pulley		
14	VOE11997970	1							Block		
15	VOE11997971	3							Screw		
16	VOE11705274	1							Flywheel		
17	VOE11997947	1							•Gear Ring		
18	VOE11997945	6							Bolt		
19	VOE11997946	6							Washer		

Date: <b>2013/10/9</b>	Image id: <b>1003722</b>	Catalogue: <b>99531</b>	Model: <b>EC160</b>
Brand: <b>Volvo</b>	Serial: <b>1001-1113</b>	Group/Section: <b>217/100</b>	Title: <b>Oil sump</b>

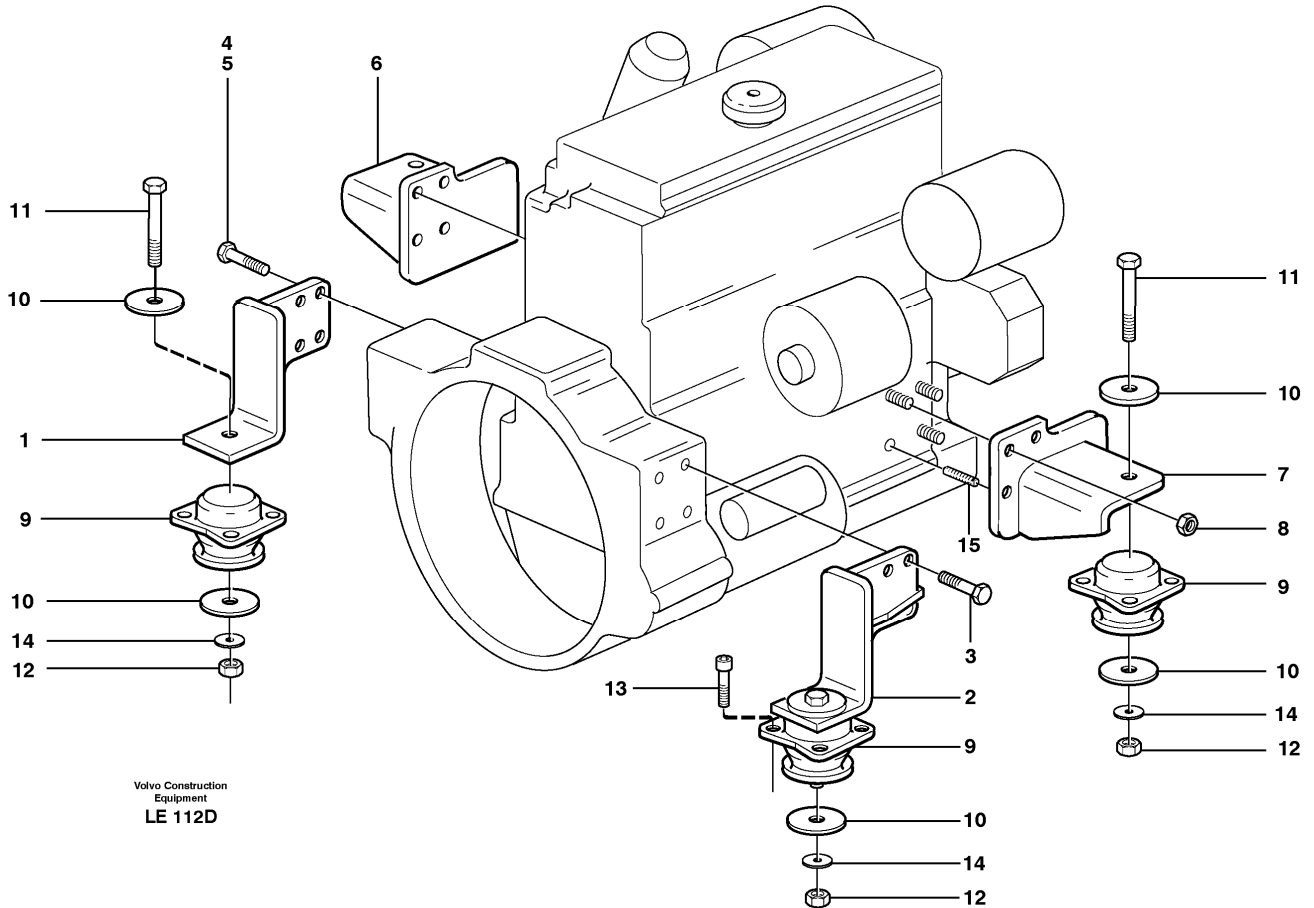


Volvo Construction  
Equipment  
1003722

Pos	Part	Q1	Q2	Q3	Q4	Q5	PS	Kit	Description	Option(s)	Remark
1	VOE11705550	1							Oil pan		
2	VOE11997987	1							•Insert sleeve		
3	VOE11997973	1							Plug		
3A	VOE11707546	1							Quick Coupling		

4	VOE11997974	2						O-ring		
5	VOE11997979	1						Gasket		
6	VOE11701581	1						Bridge		
7	VOE940326	2						Allen Hd Screw		
8	VOE11997968	6						Screw		
9	VOE13946173	14						Screw		
10	VOE11705551	1						Tube		
11		1					NS	•Nut		
12	VOE11997985	1						O-ring		
13	VOE11705552	1					SS	Dipstick		
14	VOE11997040	1						Oil pipe		
15	VOE11998167	1						Gasket		
16	VOE13947760	2						Screw		
17	VOE11997041	1						Bracket		
18	VOE946440	1						Flange screw		
19	VOE6639370	1						Washer		
20	VOE11997043	1						Clamp		
21	VOE11997042	1						Plate		
22	VOE13946544	1						Screw		
23	VOE13965175	1						Screw		
24	VOE11998120	2						Nut		
25	VOE11997975	1						Plug		
26	VOE11997985	1						O-ring		
27	VOE11997045	1						Clamp		

Date: <b>2013/10/9</b>	Image id: <b>LE112D</b>	Catalogue: <b>99531</b>	Model: <b>EC160</b>
Brand: <b>Volvo</b>	Serial: <b>1001-1113</b>	Group/Section: <b>218/100</b>	Title: <b>Engine mounting</b>



Volvo Construction  
Equipment  
LE 112D

Pos	Part	Q1	Q2	Q3	Q4	Q5	PS	Kit	Description	Option(s)	Remark
1	VOE14370791	1							Retainer		
2	VOE14370792	1							Retainer		
3	VOE965225	4							Flange screw		
4	VOE965225	1							Flange screw		L = 35MM
5	VOE13965192	3							Flange screw		L = 40MM
6	VOE14370793	1							Retainer		
7	VOE14370794	1							Retainer		
8	VOE13971096	8							Flange nut		
9	VOE14370226	4							Rubber cushion		(VOE14341188)
10	VOE14370795	8					SS		Washer		
11	VOE968593	4							Flange screw		
12	VOE13967934	4							Flange Lock Nut		
13	VOE14371995	16							Lock Screw		
14	VOE13955900	4							Washer		





Thank you so much for reading.  
Please click the “Buy Now!”  
button below to download the  
complete manual.



After you pay.

You can download the most  
perfect and complete manual in  
the world immediately.

Our support email:

[ebooklibonline@outlook.com](mailto:ebooklibonline@outlook.com)