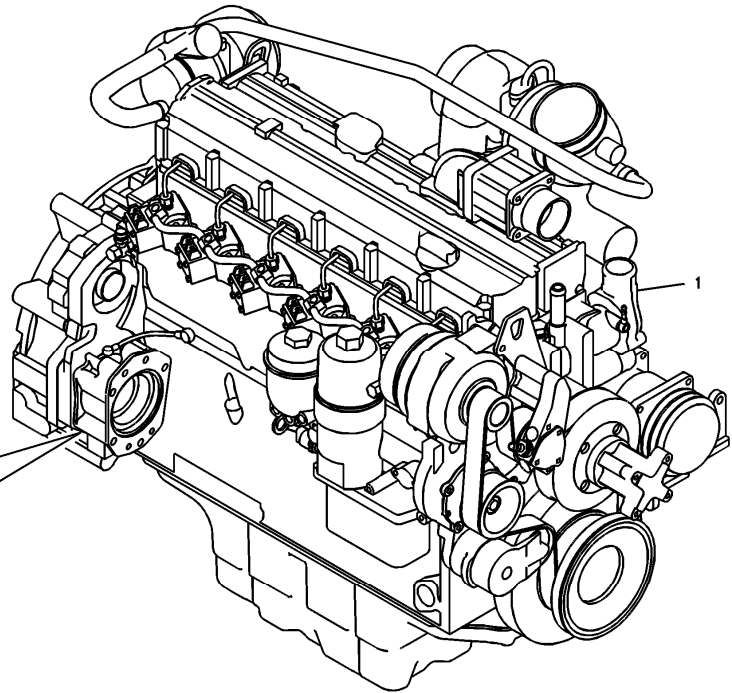
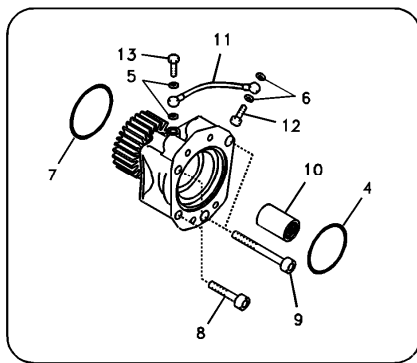
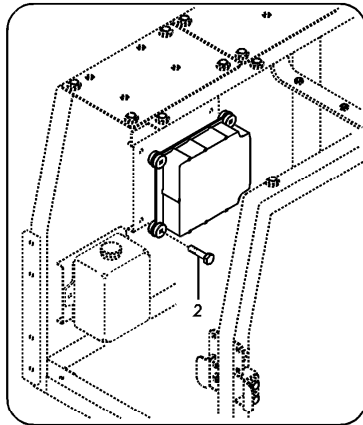


Date: 2013/10/11	Image id: 1007437	Catalogue: 20497	Model: EC160B LC
Brand: Volvo	Serial: 12001-	Group/Section: 210/100	Title: Engine



Volvo Construction
Equipment
1007437

Section option	Kit	Option description
VOE8278915		Engine with Epa label EMISSION CERTIFICATED FROM EPA
VOE8278916		Engine with Eu label EMISSION CERTIFICATED FROM EU
VOE8278917		Engine without Epa label INT AND KOREAN MARKET
VOE8278470	VOE14520500	Leak-off line for slope-rotator on basic machine

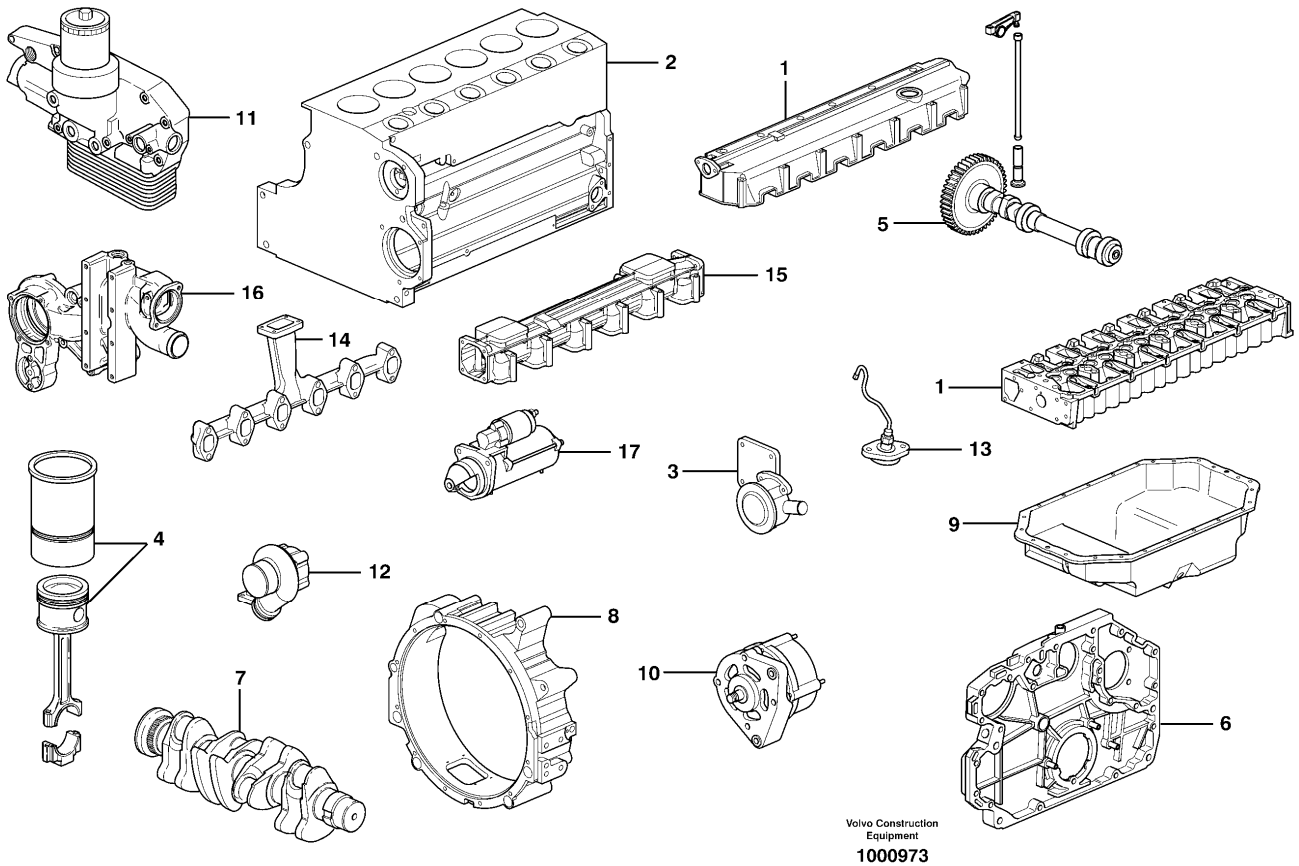
Q1-Q5	Option	Option description	
Q1 8278915	VOE8278915	Engine with Epa label EMISSION CERTIFICATED FROM EPA	
Q2 8278916	VOE8278916	Engine with Eu label EMISSION CERTIFICATED FROM EU	
Q3 8278917	VOE8278917	Engine without Epa label INT AND KOREAN MARKET	
Q4 8278470	VOE8278470	Leak-off line for slope-rotator on basic machine	

Pos	Part	Q1	Q2	Q3	Q4	Q5	PS	Kit	Description	Option(s)	Remark
1	VOE14514721	1							Engine		D6D EBE2
	VOE14519207		1						Engine		D6D EHE2
	VOE14519208			1					Engine		D6D EIE2

2	VOE983245	4	4	4				Hexagon screw		
3	VOE14512729				1			Power take-off		
4	VOE20450819				1			•O-ring		(VOE11173158)
5	VOE13947281				2			•Gasket		
6	VOE13947621				2			•Plane gasket		
7	VOE20450818				1			•O-ring		
8	VOE21077470				2			•Screw		
9	VOE20450821				2			•Screw		
10	VOE20459123				1			•Sleeve		
11	VOE20459170				1			•Oil pipe		
12	VOE7025167				1			•Hollow screw		(VOE20460231)
13	VOE20460289				1			•Hollow screw		

Construction Equipment

Date: 2013/10/11	Image id: 1000973	Catalogue: 20497	Model: EC160B LC
Brand: Volvo	Serial: 12001-	Group/Section: 210/200	Title: Engine



Section option	Kit	Option description
VOE8278915		Engine with Epa label EMISSION CERTIFICATED FROM EPA
VOE8278916		Engine with Eu label EMISSION CERTIFICATED FROM EU
VOE8278917		Engine without Epa label INT AND KOREAN MARKET

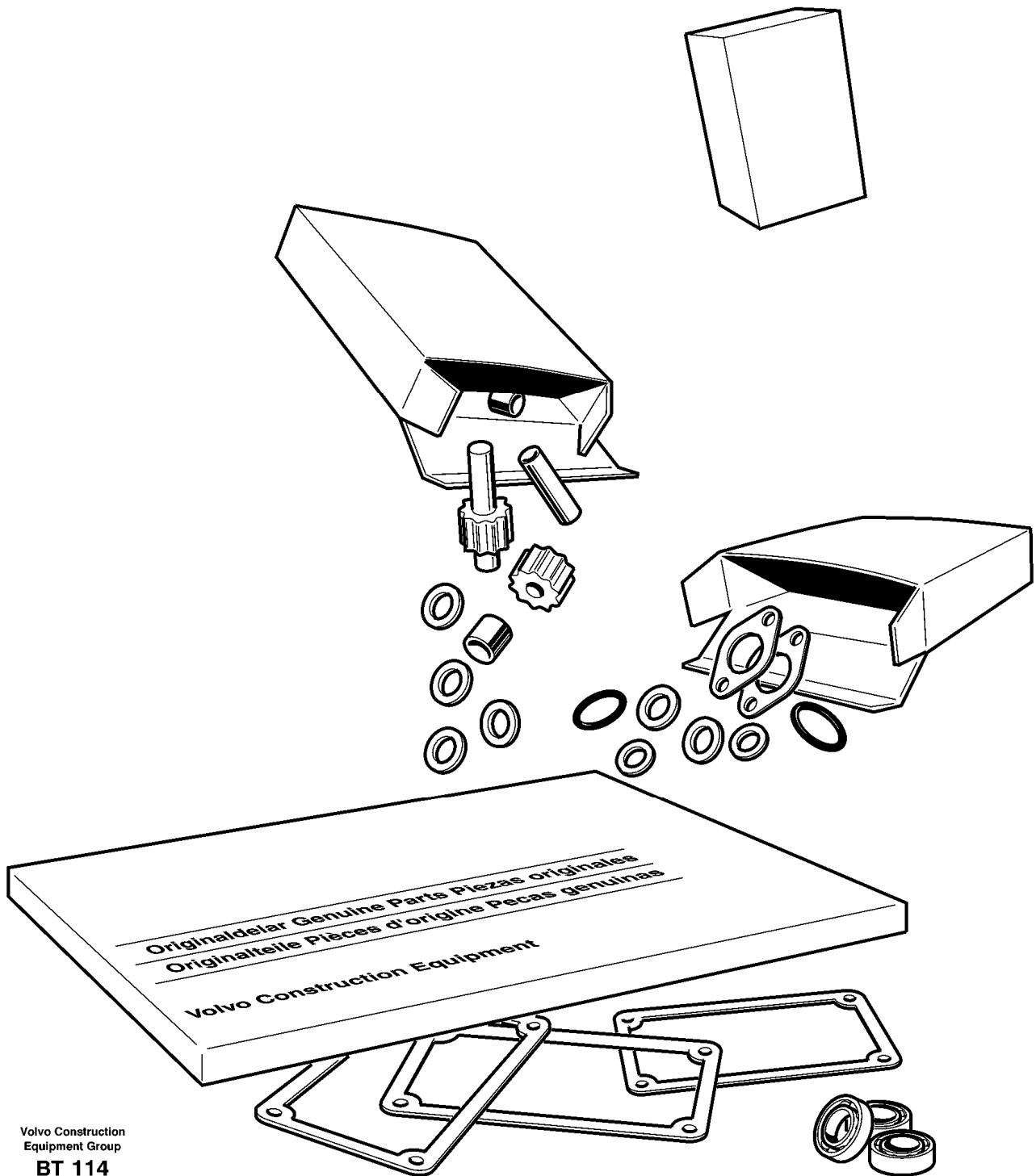
Q1-Q5	Option	Option description	
Q1 8278915	VOE8278915	Engine with Epa label EMISSION CERTIFICATED FROM EPA	
Q2 8278916	VOE8278916	Engine with Eu label EMISSION CERTIFICATED FROM EU	
Q3 8278917	VOE8278917	Engine without Epa label INT AND KOREAN MARKET	

Pos	Part	Q1	Q2	Q3	Q4	Q5	PS	Kit	Description	Option(s)	Remark
	VOE14514721	1							Engine		D6D EBE2
	VOE14519207		1						Engine		D6D EHE2
	VOE14519208			1					Engine		D6D EIE2
1		1	1	1					•Cylinder head		
2		1	1	1					•Cylinder block		
3		1	1	1					•Crankcase		

									ventilation		
4		6	6	6					•Cylinder liner		
5		1	1	1					•Valve mechanism		
6		1	1	1					•Timing gear casing		
7		1	1	1					•Crankshaft		
8		1	1	1					•Flywheel Hsg		
9		1	1	1					•Oil sump		
10		1	1	1					•Alternator with fitti		
11		1	1	1					•Oil cooler		
12		1	1	1					•Turbocharger		
13		6	6	6					•Fuel lines, injectors		
14		1	1	1					•Inlet pipe		
15		1	1	1					•Exhaust pipe		
16		1	1	1					•Water pump and thermo		
17		1	1	1					•Starter motor		

Construction Equipment

Date: 2013/10/11	Image id: BT114	Catalogue: 20497	Model: EC160B LC
Brand: Volvo	Serial: 12001-	Group/Section: 210/300	Title: Repair kits for engine



Volvo Construction
Equipment Group
BT 114

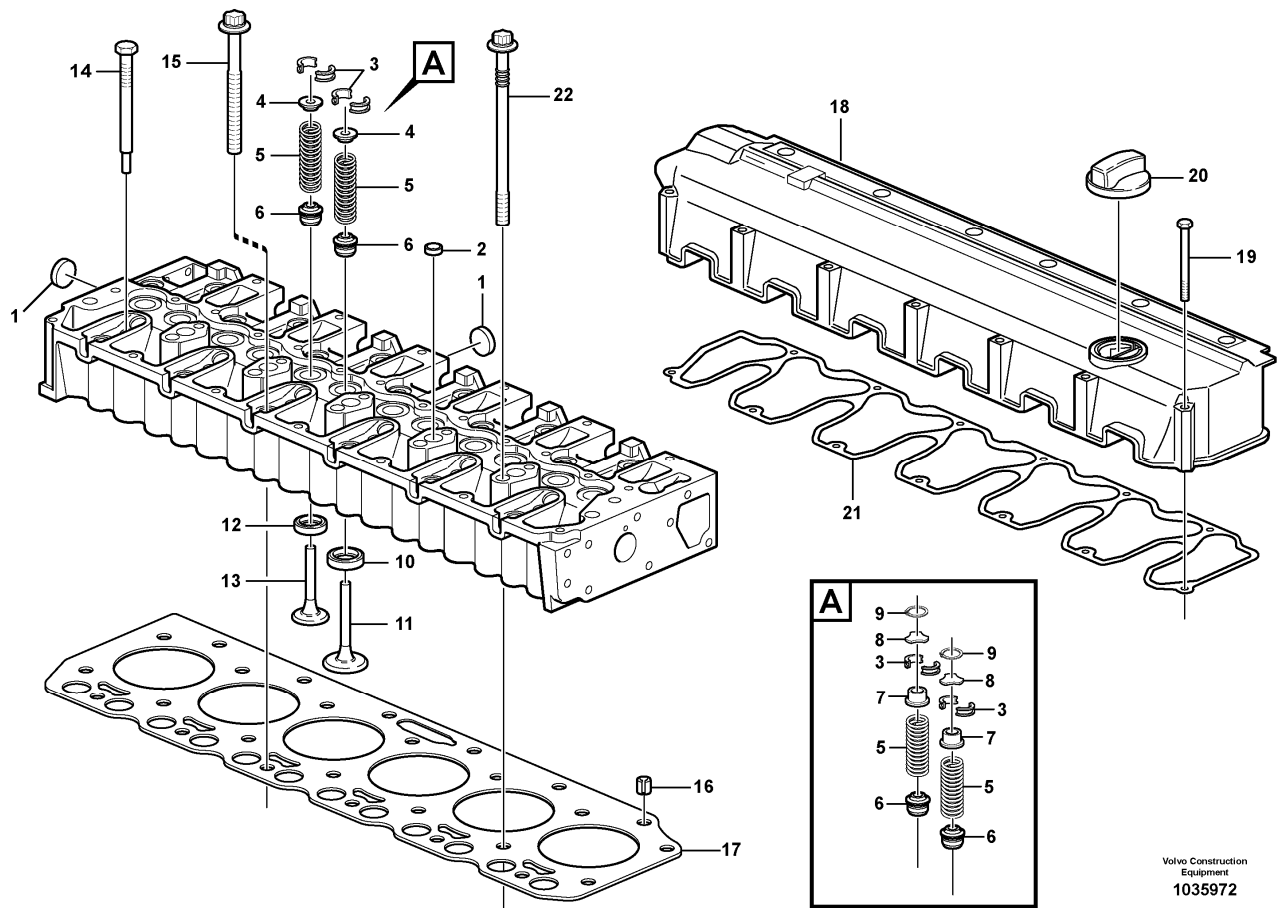
Q1-Q5	Option	Option description	
-------	--------	--------------------	--

Q1	ENG	-			
1060653					
Q2	ENG	1060654			
-					

Pos	Part	Q1	Q2	Q3	Q4	Q5	PS	Kit	Description	Option(s)	Remark
	VOE11716553	1							Overhaul kit		
	VOE11716554		1						Overhaul kit		
	VOE11712379	1	1						•Cylinder head kit		
	VOE20854651	1							•Cyl Liner Kit		
	VOE20854654		1						•Cyl Liner Kit		

Construction Equipment

Date: 2013/10/11	Image id: 1035972	Catalogue: 20497	Model: EC160B LC
Brand: Volvo	Serial: 12001-	Group/Section: 211/100	Title: Cylinder head 8278915,8278916,8278917



Volvo Construction
Equipment
1035972

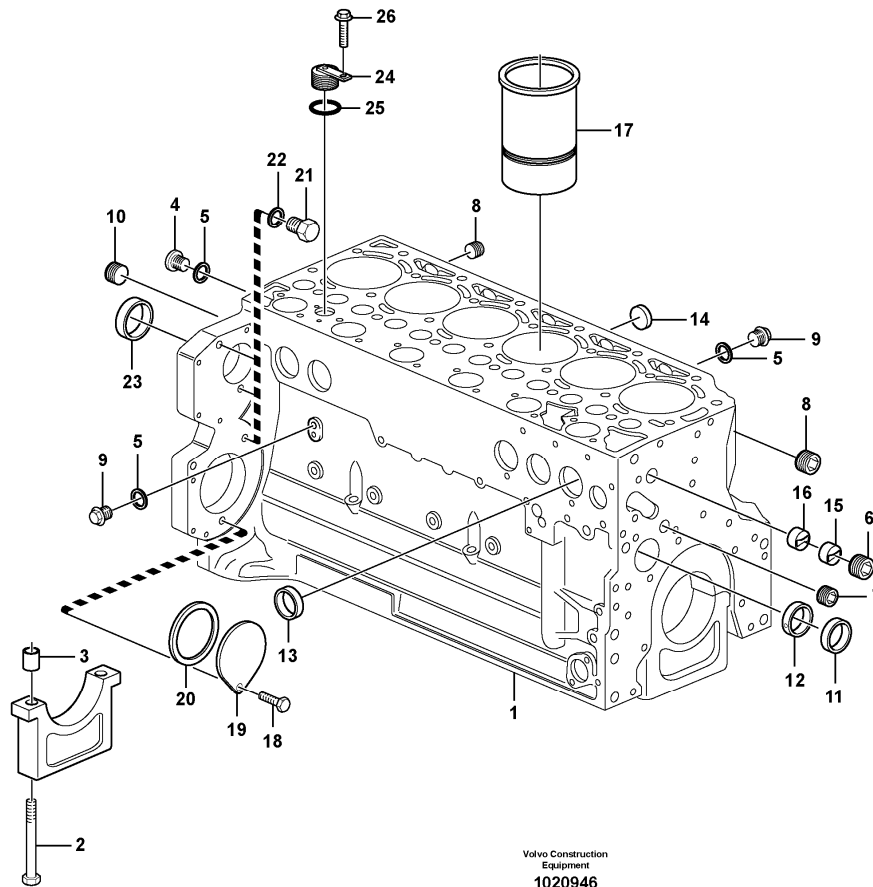
Section option	Kit	Option description
VOE8278915		Engine with Epa label EMISSION CERTIFICATED FROM EPA
VOE8278916		Engine with Eu label EMISSION CERTIFICATED FROM EU
VOE8278917		Engine without Epa label INT AND KOREAN MARKET

Pos	Part	Q1	Q2	Q3	Q4	Q5	PS	Kit	Description	Option(s)	Remark
	VOE20747867	1							Cylinder head		(VOE20498711)ENG - 1031803
	VOE20747867	1							Cylinder head		ENG 1031804 - 2006/01
	VOE21055823	1							Cylinder head		ENG 2006/02 -
1	VOE20412745	5							•Core plug		
2	VOE20412733	5							•Core plug		
3	VOE20459857	24							•Valve sleeve		
4	VOE20535037	12							•Washer		ENG - 2006/01
5	VOE20459851	12							•Valve spring		

6	VOE20459855	12							•Valve seal		
7	VOE20840747	12							•Spring Disc		ENG 2006/02 -
8	VOE20840807	12							•Thrust Washer		
9	VOE20840772	12							•Snap Ring		
10	VOE20459852	6							•Valve seat		
11	VOE20482741	6							•Inlet valve		(VOE20791517)ENG - 2006/01
11	VOE21026535	6							•Inlet valve		ENG 2006/02 -
12	VOE20459854	6							•Valve seat		
13	VOE20482742	6							•Exhaust Valve		(VOE20459861)ENG - 2006/01
13	VOE21026536	6							•Exhaust Valve		ENG 2006/02 -
14	VOE20405895	6							Plug		
15	VOE20459838	19							Bolt		
16	VOE20459839	2							Bushing		
17	VOE20795927	1							Cylinder Gasket	Head	(VOE24426690)1,27 MM
17	VOE20795944	1							Cylinder Gasket	Head	(VOE24426691)1,37 MM
17	VOE20795952	1							Cylinder Gasket	Head	(VOE24426692)1,47 MM
18	VOE20558880	1							Valve Cover		(VOE20459829)ENG - 620552
18	VOE20459831	1					SS		Valve cover		ENG 620553 - 1099384
18	VOE20558810	1							Valve Cover		ENG 1099385 -
19	VOE20459830	13							Screw		
20	VOE20412589	1							Filler cap		
21	VOE20459828	1							Gasket		ENG - 1099384
21	VOE20558929	1							Gasket		ENG 1099385 -
22	VOE20459837	7							Bolt		

Construction Equipment

Date: 2013/10/11	Image id: 1020946	Catalogue: 20497	Model: EC160B LC
Brand: Volvo	Serial: 12001-	Group/Section: 212/100	Title: Cylinder block 8278915,8278916,8278917



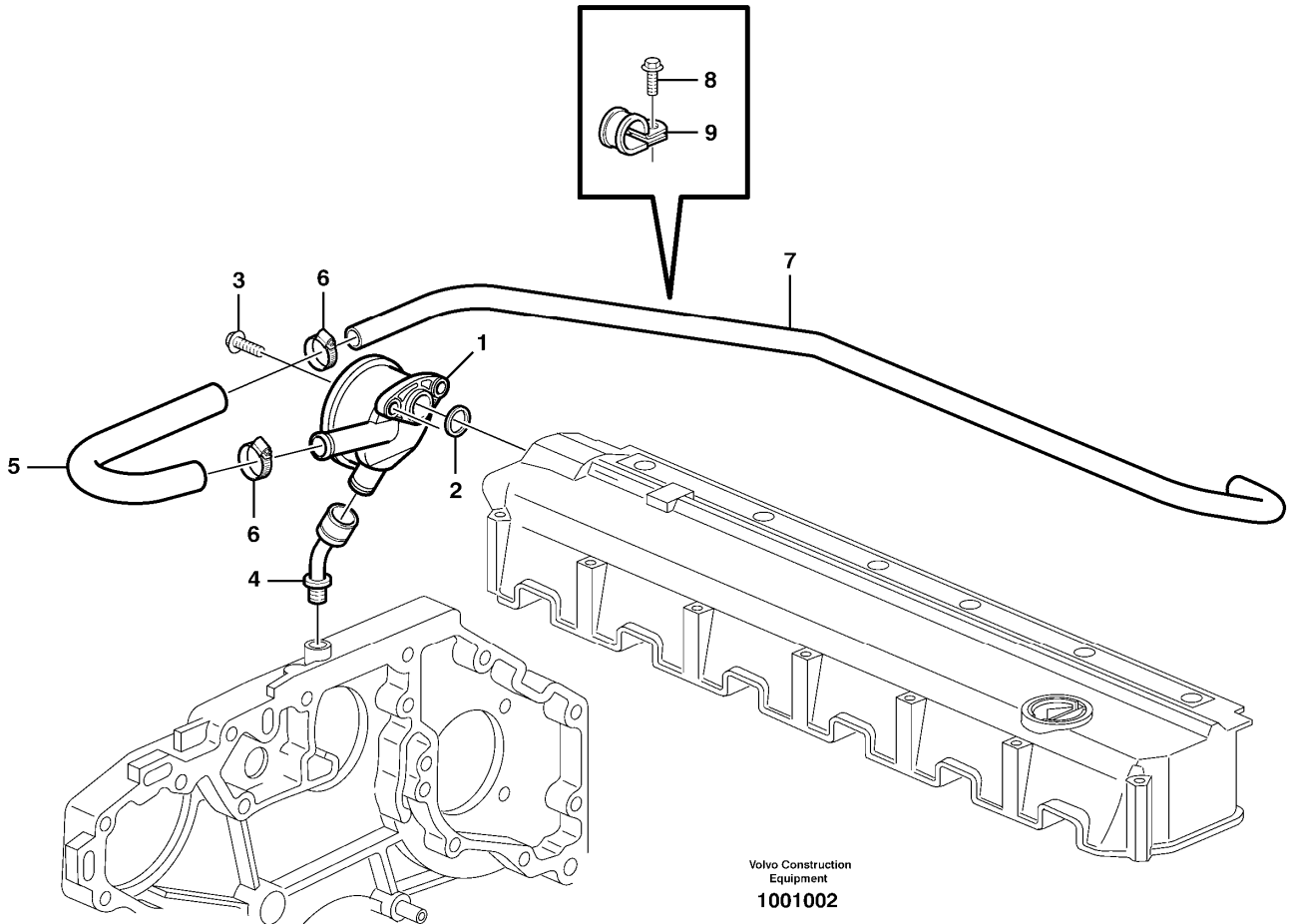
Section option	Kit	Option description
VOE8278915		Engine with Epa label EMISSION CERTIFICATED FROM EPA
VOE8278916		Engine with Eu label EMISSION CERTIFICATED FROM EU
VOE8278917		Engine without Epa label INT AND KOREAN MARKET

Pos	Part	Q1	Q2	Q3	Q4	Q5	PS	Kit	Description	Option(s)	Remark
1	VOE20533309	1					SS		Cylinder Block		ENG - 01060658
1	VOE20785815	1					SS		Cylinder Block		ENG 01060659 - 01099383
1	VOE21009708	1							Crankcase		ENG 01099384 -
2	VOE20460006	14							•Screw		ENG - 01099383
3	VOE20460001	14							•Bushing		ENG - 01099383
4	VOE945065	1							•Plug		
5	VOE13969011	3							•Gasket		
6	VOE20405717	1							•Plug		
7	VOE20405719	1							•Plug		ENG - 01099383

8	VOE20508600	2							•Plug		
9	VOE20405716	2							•Plug		
10	VOE20785813	1							•Plug		
11	VOE20459999	6							•Camshaft bushing		
12	VOE20459998	1							•Camshaft bushing		
13	VOE20405721	9							•Core plug		
14	VOE20412745	6							•Core plug		(VOE20450767)
15	VOE20405584	1							•Guide sleeve		
16	VOE20405906	1							•Guide sleeve		
17		6							•Cylinder Liner		NO PISTONS ETC.
18	VOE888289	2							Hexagon screw		
19	VOE24426064	1							Cover		
20	VOE20412359	1							Sealing ring		
21	VOE20441859	3							Plug		(VOE20532680)
22	VOE13947281	3							Gasket		
23	VOE20450778	1							Core plug		
24	VOE20702078	1							Plug		ENG - 01047118
	VOE20758137	1							Plug		ENG 01047119 -
25	VOE20405728	1							•Sealing ring		
26	VOE20711881	1							Screw		

Construction Equipment

Date: 2013/10/11	Image id: 1001002	Catalogue: 20497	Model: EC160B LC
Brand: Volvo	Serial: 12001-	Group/Section: 212/200	Title: Crankcase ventilation 8278915,8278916,8278917

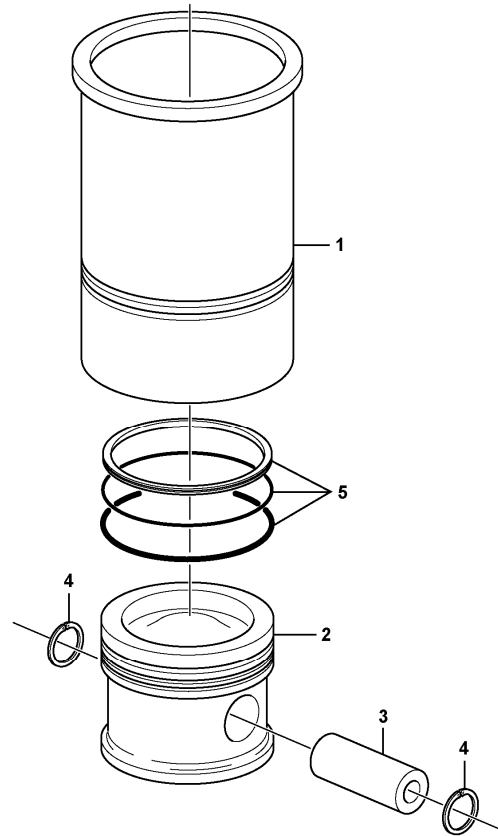


Section option	Kit	Option description
VOE8278915		Engine with Epa label EMISSION CERTIFICATED FROM EPA
VOE8278916		Engine with Eu label EMISSION CERTIFICATED FROM EU
VOE8278917		Engine without Epa label INT AND KOREAN MARKET

Pos	Part	Q1	Q2	Q3	Q4	Q5	PS	Kit	Description	Option(s)	Remark
1	VOE20405626	1							Regulator		
2	VOE20405627	1							Gasket		
3	VOE20450728	2							Bolt		
4	VOE20405938	1							Connector		
5	VOE20459255	1							Tube		
6	VOE20405755	3							Clamping band		
7	VOE20459257	1							Breather pipe		(VOE20502313)
8	VOE20460055	1							Screw		
9	VOE20405532	1							Clamp		(VOE20405532)

Construction Equipment

Date: 2013/10/11	Image id: 1024633	Catalogue: 20497	Model: EC160B LC
Brand: Volvo	Serial: 12001-	Group/Section: 213/100	Title: Cylinder liner and piston 8278915,8278916,8278917



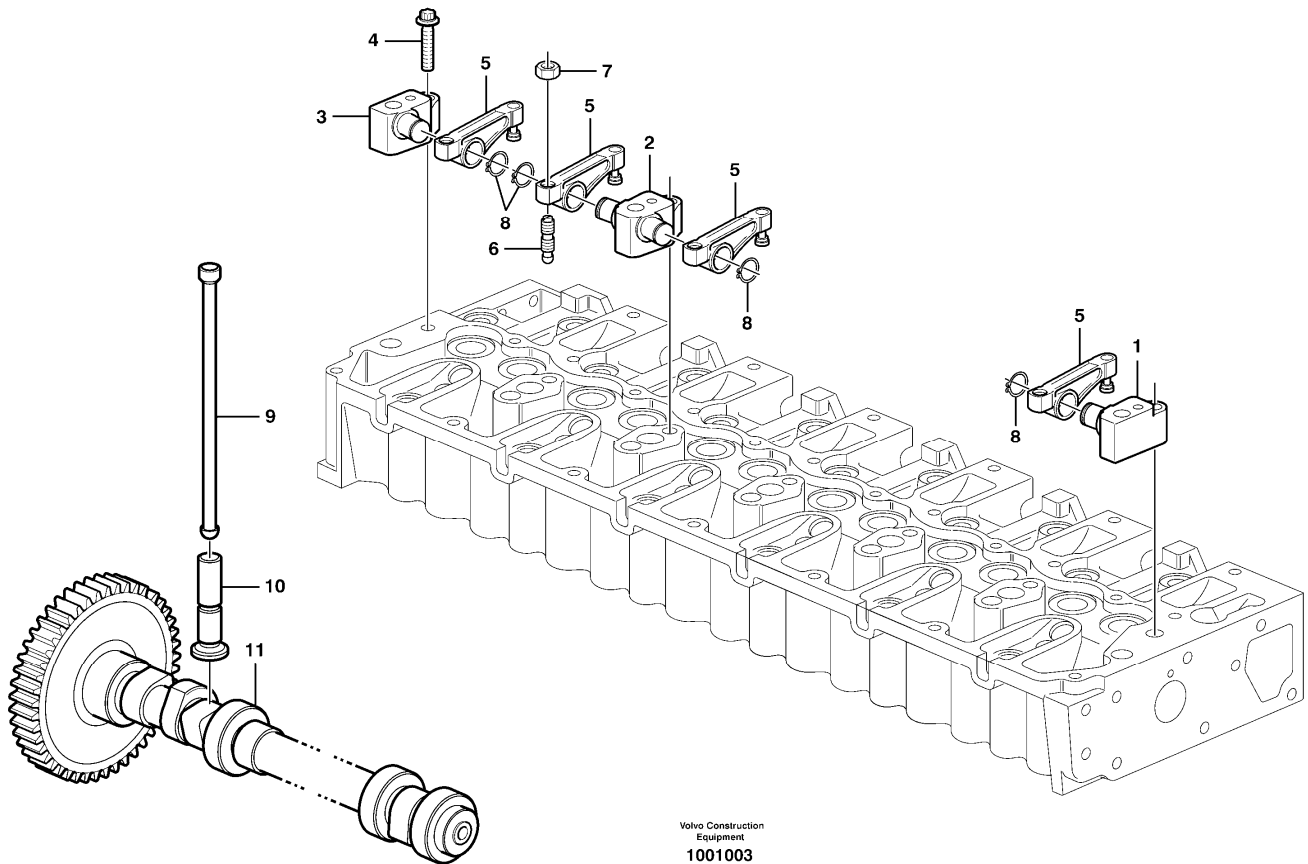
Volvo Construction
Equipment
1024633

Section option	Kit	Option description
VOE8278915		Engine with Epa label EMISSION CERTIFICATED FROM EPA
VOE8278916		Engine with Eu label EMISSION CERTIFICATED FROM EU
VOE8278917		Engine without Epa label INT AND KOREAN MARKET

Pos	Part	Q1	Q2	Q3	Q4	Q5	PS	Kit	Description	Option(s)	Remark
1	VOE20854651	6							Cyl Liner Kit		ENG - 01060666
1	VOE20854654	6							Cyl Liner Kit		ENG 01060667 -
2		6					NS		•Piston		
3	VOE20460009	6							••Gudgeon pin		
4	VOE21159226	12							••Snap Ring		(VOE20460010)
5	VOE20460011	6							••Piston ring kit		

Construction Equipment

Date: 2013/10/11	Image id: 1001003	Catalogue: 20497	Model: EC160B LC
Brand: Volvo	Serial: 12001-	Group/Section: 214/100	Title: Valve mechanism 8278915,8278916,8278917



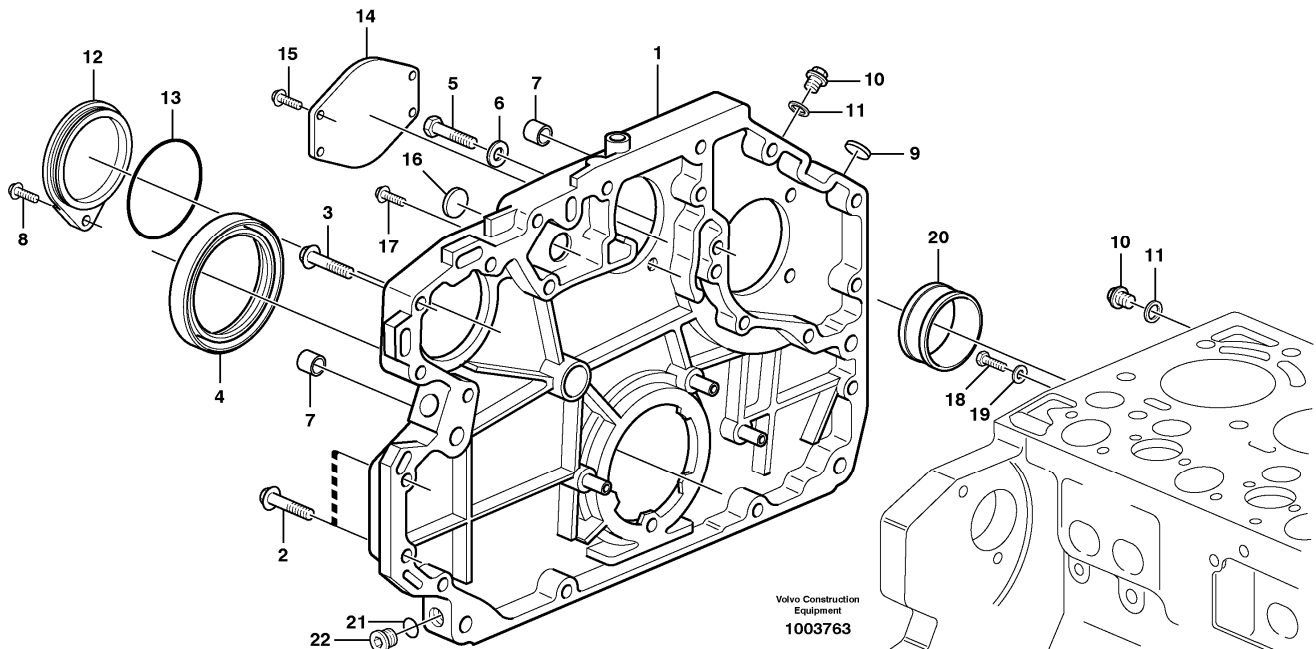
Section option	Kit	Option description
VOE8278915		Engine with Epa label EMISSION CERTIFICATED FROM EPA
VOE8278916		Engine with Eu label EMISSION CERTIFICATED FROM EU
VOE8278917		Engine without Epa label INT AND KOREAN MARKET

Pos	Part	Q1	Q2	Q3	Q4	Q5	PS	Kit	Description	Option(s)	Remark
1	VOE20459848	1							Bracket		
2	VOE20459847	5							Bracket		
3	VOE20459849	1							Bracket		
4	VOE20459853	7							Screw		
5	VOE20459850	12							Rocker arm		ENG - 01099409
5	VOE21448926	12							Rocker arm		(VOE20792876)ENG 01099410 -
6	VOE20405524	12							Screw		
7	VOE11700373	12							Nut		
8	VOE945495	12							Retaining ring		
9	VOE20460008	12							Push rod		

10	VOE20460007	12							Tappet		
11	VOE20502005	1					SS		Camshaft		ENG - 01099344
11	VOE20973962	1							Camshaft		ENG 01099345 -

Construction Equipment

Date: 2013/10/11	Image id: 1003763	Catalogue: 20497	Model: EC160B LC
Brand: Volvo	Serial: 12001-	Group/Section: 215/100	Title: Timing gear casing and gears



Section option	Kit	Option description
VOE8278915		Engine with Epa label EMISSION CERTIFICATED FROM EPA
VOE8278916		Engine with Eu label EMISSION CERTIFICATED FROM EU
VOE8278917		Engine without Epa label INT AND KOREAN MARKET

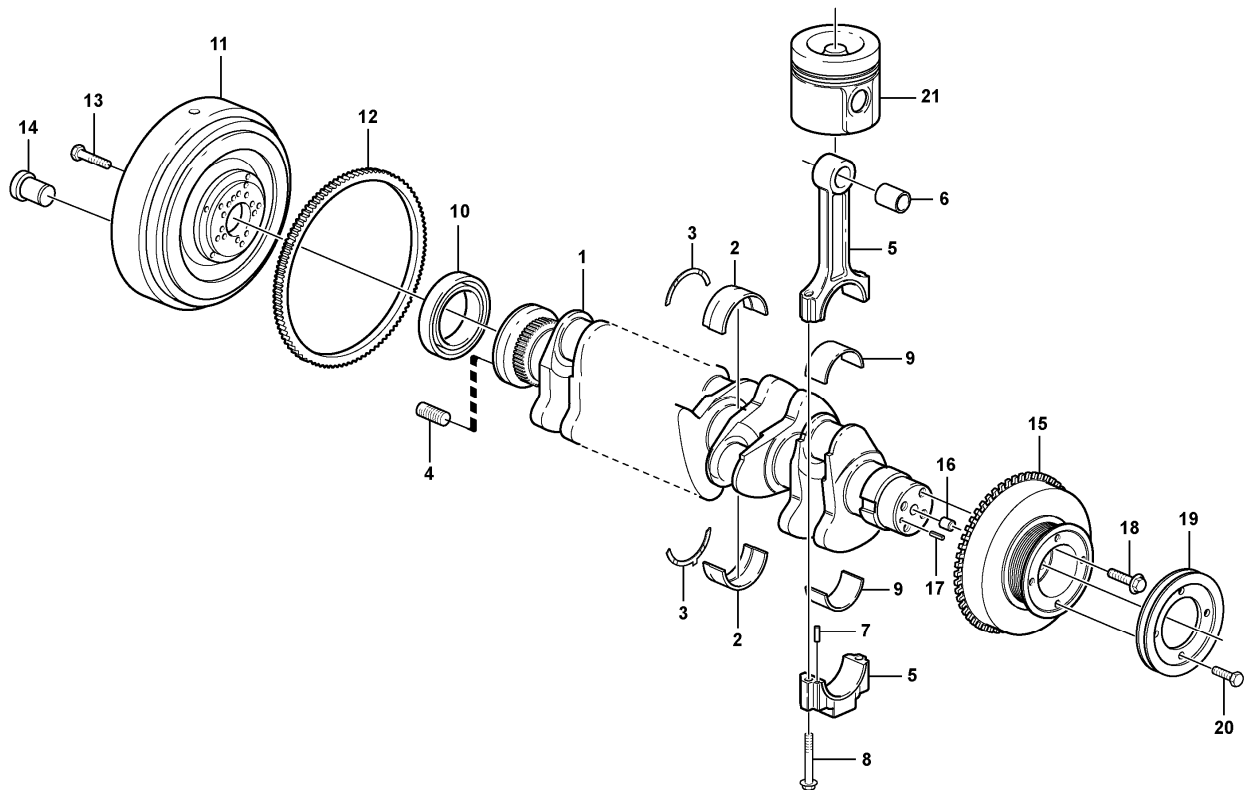
Q1-Q5	Option	Option description	
Q1 8278915	VOE8278915	Engine with Epa label EMISSION CERTIFICATED FROM EPA	
Q2 8278916	VOE8278916	Engine with Eu label EMISSION CERTIFICATED FROM EU	
Q3 8278917	VOE8278917	Engine without Epa label INT AND KOREAN MARKET	

Pos	Part	Q1	Q2	Q3	Q4	Q5	PS	Kit	Description	Option(s)	Remark
1	VOE20918119	1	1	1					Tmg Gear Casing		(VOE20482787)ENG - 920347
1	VOE20918119	1	1	1					Tmg Gear Casing		ENG 920348 -
2	VOE20412324	12	12	12					Screw		
3	VOE20450801	4	4	4					Screw		
4		1	1	1					Crankshaft Seal		
5	VOE20405653	2	2	2			SS		Screw		
6	VOE13955900	2	2	2					Washer		
7	VOE20732816	2		2					Grommet		
7	VOE20405646		2						Bushing		ENG - 920347
7	VOE20585971		2						Bushing		ENG 920348 -

8	VOE20405672	1	1	1					Screw		
9	VOE20405605	1	1	1					Cover		
10	VOE960630	2	2	2					Plug		
11	VOE13947621	2	2	2					Plane gasket		
12	VOE20405740	1	1	1					Cover		(VOE20459901)
13	VOE20405652	1	1	1					Sealing ring		(VOE11700625)
14	VOE20450799	1	1	1					Cover		
15	VOE20405709	4	4	4					Screw		
16	VOE20490808	1	1	1					Cover		
17	VOE20450801	1	1	1					Screw		
18	VOE20459908	1	1	1					Bolt		
19	VOE20460087	1	1	1					Washer		
20	VOE20460092	1	1	1					Bushing		
21	VOE20460026	1	1	1					Sealing ring		
22	VOE20460024	1	1	1					Plug		

Construction Equipment

Date: 2013/10/11	Image id: 1035429	Catalogue: 20497	Model: EC160B LC
Brand: Volvo	Serial: 12001-	Group/Section: 216/100	Title: Crankshaft and related parts 8278915,8278916,8278917



Volvo Construction
Equipment
1035429

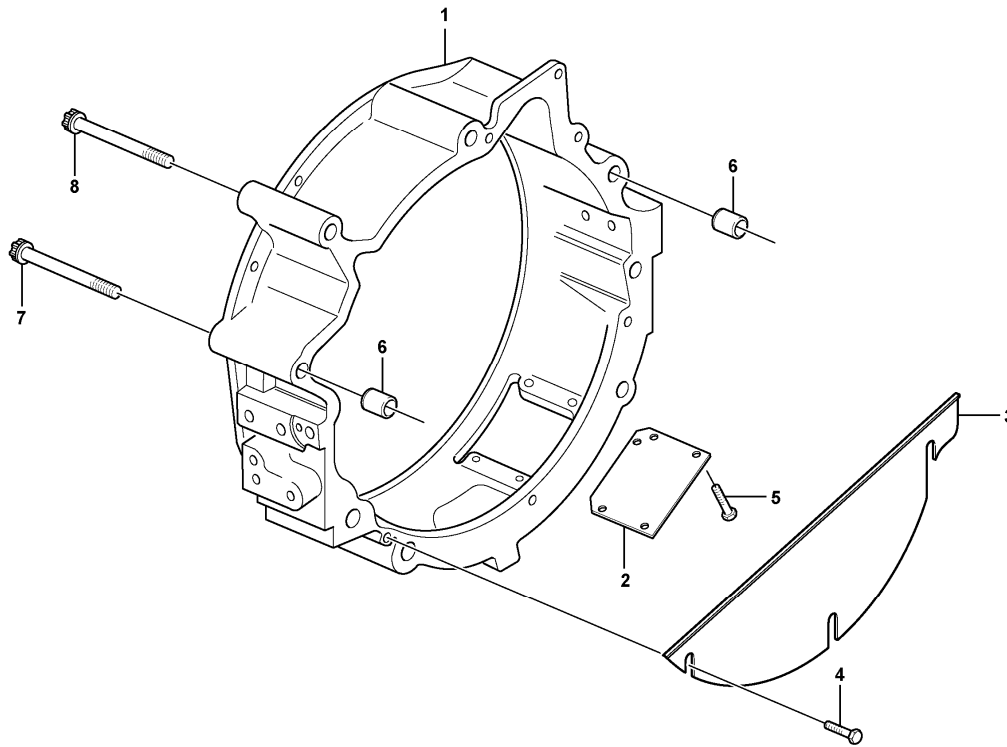
Section option	Kit	Option description
VOE8278915		Engine with Epa label EMISSION CERTIFICATED FROM EPA
VOE8278916		Engine with Eu label EMISSION CERTIFICATED FROM EU
VOE8278917		Engine without Epa label INT AND KOREAN MARKET

Pos	Part	Q1	Q2	Q3	Q4	Q5	PS	Kit	Description	Option(s)	Remark
1	VOE20459146	1							Crankshaft		ENG - 851836
	VOE20769707	1					SS		Crankshaft		ENG 851837 - 1022416
	VOE21351400	1							Crankshaft		(VOE20785969)ENG 1022417 - 1099383
	VOE21351400	1							Crankshaft		(VOE20892713)ENG 1099384 -
2	VOE20459140	7							Main bearing		STD 84,00 MM
	VOE20459139	7							Main Bearing		U SZ 83,75 MM
3	VOE20459143	REQ							Washer		STD WID 10 MM THICK 2,0 MM
	VOE20459142	REQ					NS		Thrust Washer		WID 10 MM THICK 2,2

										MM	
	VOE20459149	REQ							Thrust washer		STD WID 14 MM THICK 2,0 MM
	VOE20459148	REQ							Thrust Washer		WID 14 MM THICK 2,2 MM
4	VOE20459144	1							Insert		
5	VOE20882905	6							Connecting Rod		
6	VOE20523284	6							•Bushing		
7	VOE20459134	12							•Pin		
8	VOE20459133	12							•Bolt		
9	VOE20555403	6							Bearing		ENG - 695616 STD 63,00 MM
	VOE20459147	6							Bearing		ENG - 695616 U SZ 62,75 MM
	VOE20480536	6							Bearing		ENG 695617 - STD 63,00 MM
	VOE20522433	6							Bearing		ENG 695617 - U SZ 62,75 MM
10	VOE20459115	1							Crankshaft seal		
11	VOE20524696	1							Flywheel		
12	VOE20405650	1							•Gear		
13	VOE20405654	10							Bolt		
14	VOE20405643	5							Plug		
15	VOE20459152	1							Pulley		
16	VOE20405634	1							Spring pin		
17	VOE20450628	1							Pin		
18	VOE20405724	4							Screw		
19	VOE20459155	1							Pulley		
20	VOE20459156	4							Screw		
21		1							Piston		See ref 213/100

Construction Equipment

Date: 2013/10/11	Image id: 1027113	Catalogue: 20497	Model: EC160B LC
Brand: Volvo	Serial: 12001-	Group/Section: 216/200	Title: Flywheel housing 8278915,8278916,8278917



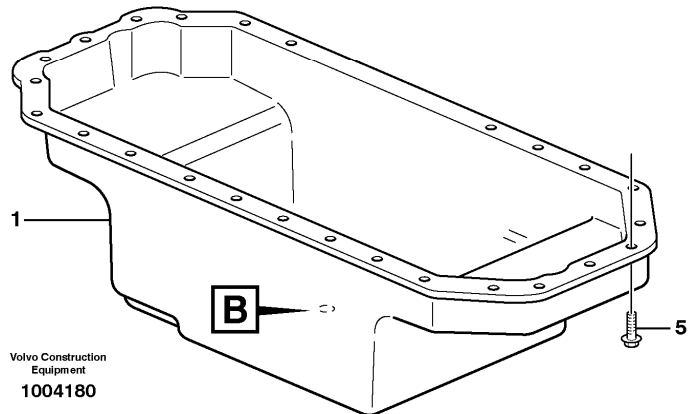
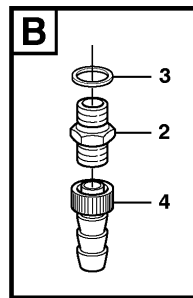
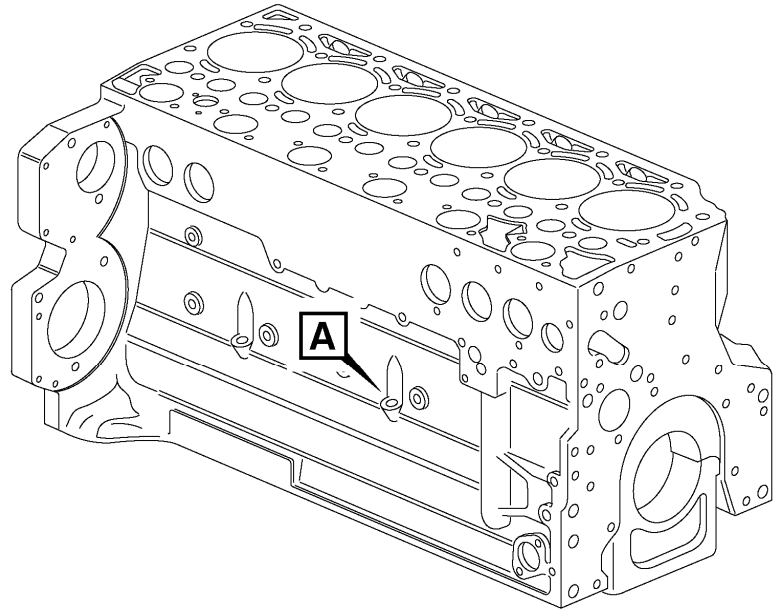
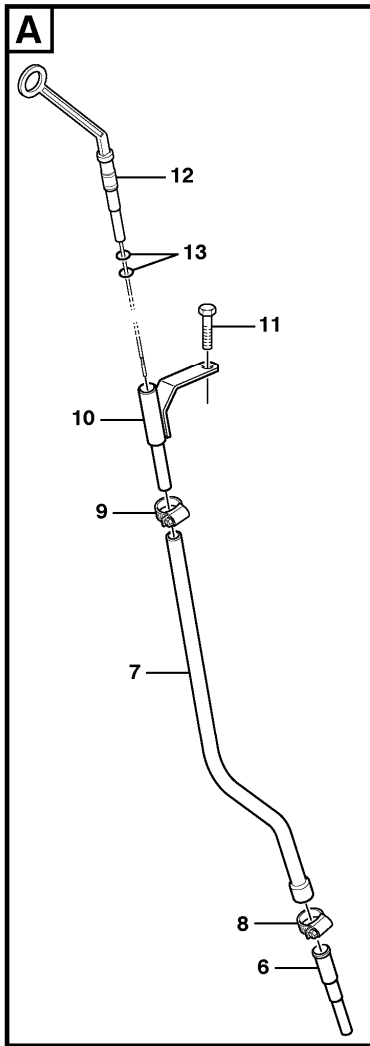
Volvo Construction
Equipment
1027113

Section option	Kit	Option description
VOE8278915		Engine with Epa label EMISSION CERTIFICATED FROM EPA
VOE8278916		Engine with Eu label EMISSION CERTIFICATED FROM EU
VOE8278917		Engine without Epa label INT AND KOREAN MARKET

Pos	Part	Q1	Q2	Q3	Q4	Q5	PS	Kit	Description	Option(s)	Remark
1	VOE21018780	1							Flywheel Hsg		(VOE20744652)ENG - 01099408
1	VOE21018780	1							Flywheel Hsg		(VOE21044436)ENG 01099409 -
2	VOE20547288	1							•Cover Plate		
3	VOE20459989	1							•Cover		
4	VOE20405729	3							•Screw		
5	VOE20405729	4							•Screw		
6	VOE20585971	2							Bushing		
7	VOE20459996	2							Screw		

Construction Equipment

Date: 2013/10/11	Image id: 1004180	Catalogue: 20497	Model: EC160B LC
Brand: Volvo	Serial: 12001-	Group/Section: 217/100	Title: Oil sump 8278915,8278916,8278917



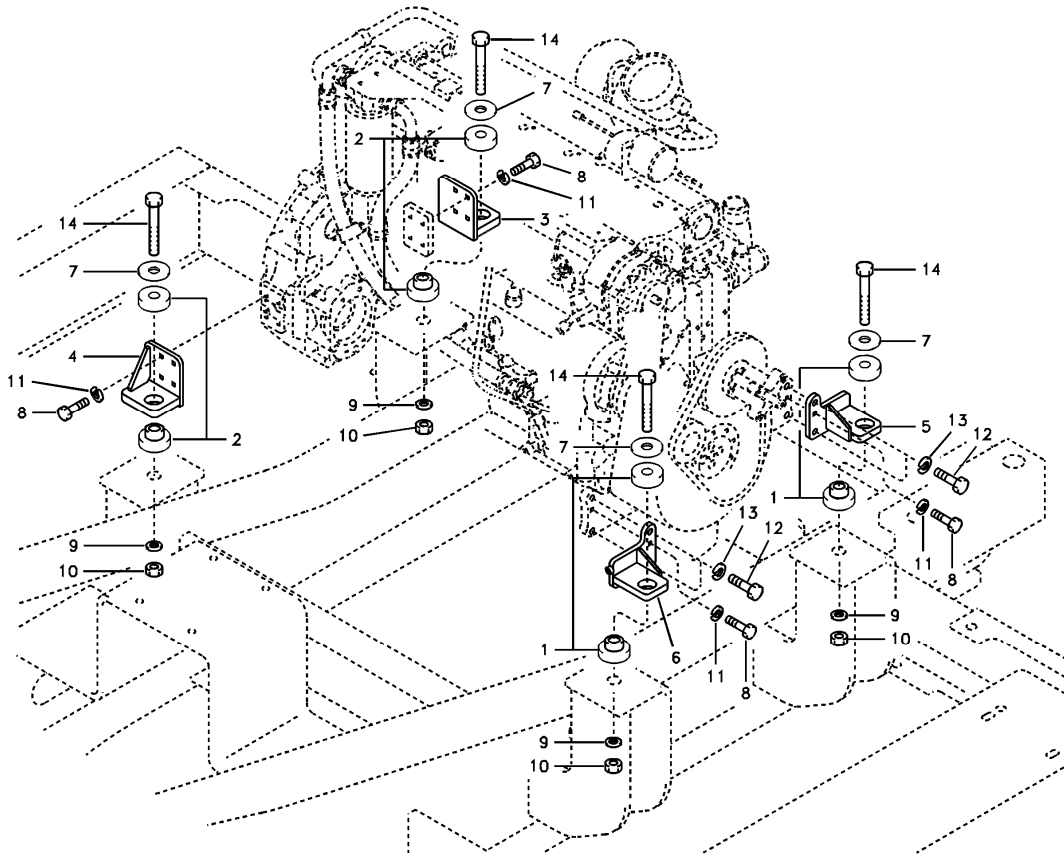
Volvo Construction
Equipment
1004180

Section option	Kit	Option description
VOE8278915		Engine with Epa label EMISSION CERTIFICATED FROM EPA
VOE8278916		Engine with Eu label EMISSION CERTIFICATED FROM EU
VOE8278917		Engine without Epa label INT AND KOREAN MARKET

Pos	Part	Q1	Q2	Q3	Q4	Q5	PS	Kit	Description	Option(s)	Remark
1	VOE20482783	1							Oil pan		ENG - 01099344
1	VOE20840491	1							Oil Pan		ENG 01099345 -
	VOE20460022	1							Gasket		
2	VOE20450851	1							Drain valve		
3	VOE11700303	1					SS		Seal		(VOE7011998)
4	VOE20478246	1							Hose		

Construction Equipment

Date: 2013/10/11	Image id: 1004719	Catalogue: 20497	Model: EC160B LC
Brand: Volvo	Serial: 12001-	Group/Section: 218/100	Title: Engine mount



Volvo Construction
Equipment
1004719

Section option	Kit	Option description
VOE8278378		Basic Machine EC160B

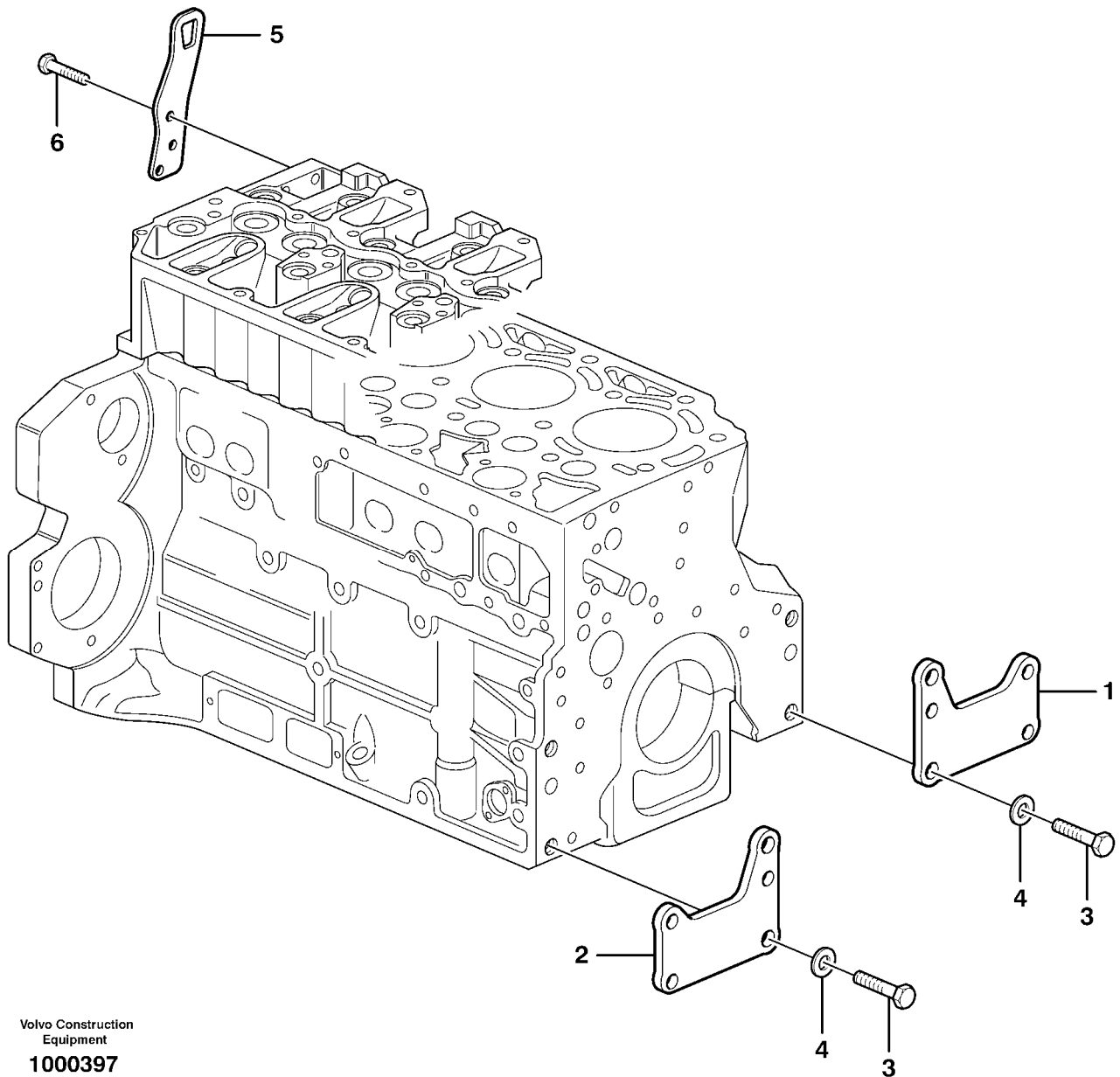
Q1-Q5	Option	Option description
Q1 8278378	VOE8278378	Basic Machine EC160B

Pos	Part	Q1	Q2	Q3	Q4	Q5	PS	Kit	Description	Option(s)	Remark
1	VOE14526154	2							Cushion		
2	VOE14528380	2							Cushion		
3	VOE14515727	1							Bracket		
4	VOE14515728	1							Bracket		
5	VOE14515725	1							Bracket		
6	VOE14515726	1							Bracket		
7	VOE14526169	4							Plate		
8	SA9011-11207	10							Bolt		
9	SA9211-22000	4							Washer		

10	VOE14512933	4							Nut		
11	VOE955923	10							Spring washer		
12	SA9011-11608	4							Bolt		
13	VOE955926	4							Spring washer		
14	SA9011-22220	4							Hexagon screw		

Construction Equipment

Date: 2013/10/11	Image id: 1000397	Catalogue: 20497	Model: EC160B LC
Brand: Volvo	Serial: 12001-	Group/Section: 218/200	Title: Engine mounting 8278915,8278916,8278917



Section option	Kit	Option description
VOE8278915		Engine with Epa label EMISSION CERTIFICATED FROM EPA
VOE8278916		Engine with Eu label EMISSION CERTIFICATED FROM EU
VOE8278917		Engine without Epa label INT AND KOREAN MARKET

Pos	Part	Q1	Q2	Q3	Q4	Q5	PS	Kit	Description	Option(s)	Remark
1	VOE20723978	1							Bracket		
2	VOE20723984	1							Bracket		

Thank you so much for reading.
Please click the “Buy Now!”
button below to download the
complete manual.



After you pay.

You can download the most
perfect and complete manual in
the world immediately.

Our support email:

ebooklibonline@outlook.com