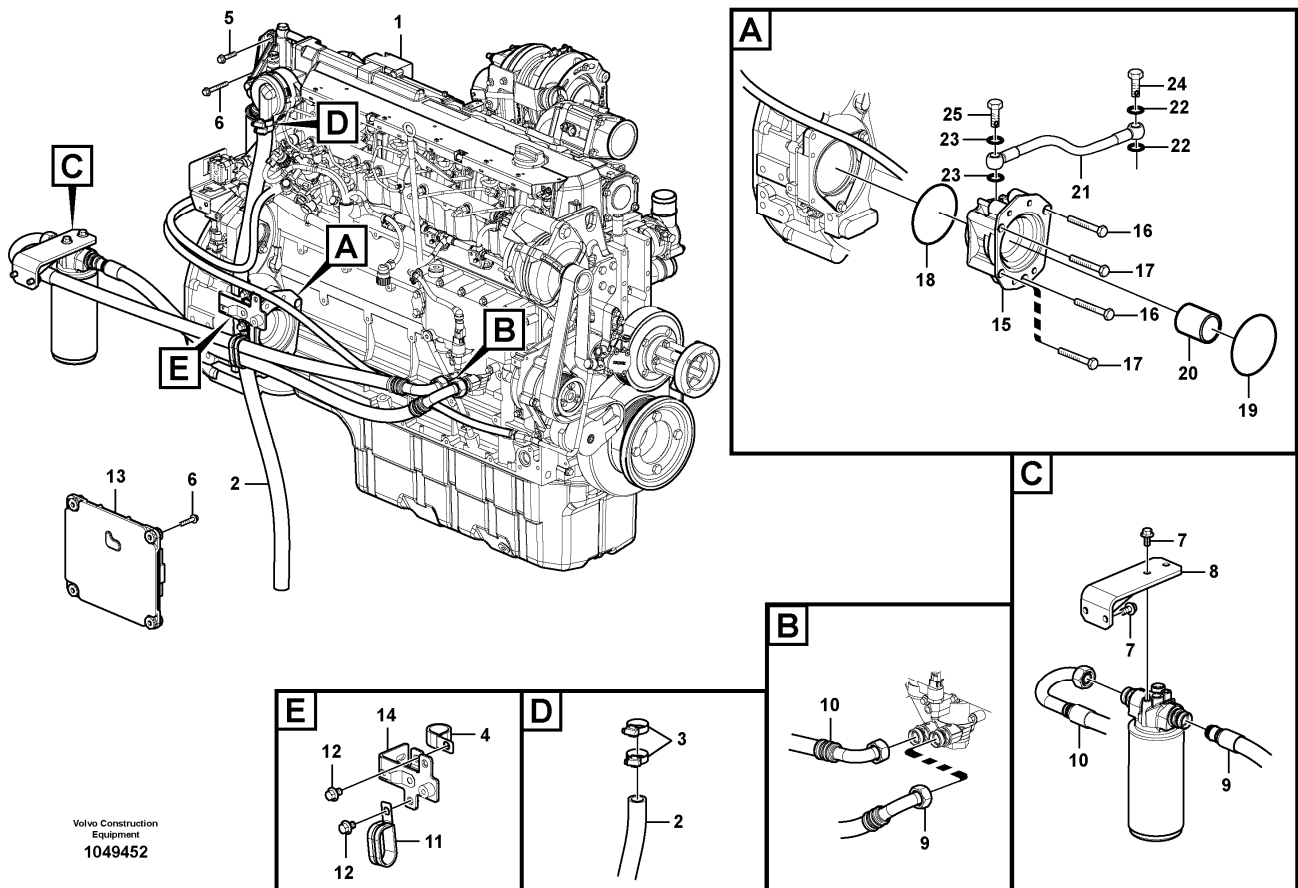


Date: 2013/10/28	Image id: 1049452	Catalogue: 20460	Model: EC210B LC
Brand: Volvo	Serial: 35001-, 70001-, 80001-	Group/Section: 210/100	Title: Engine



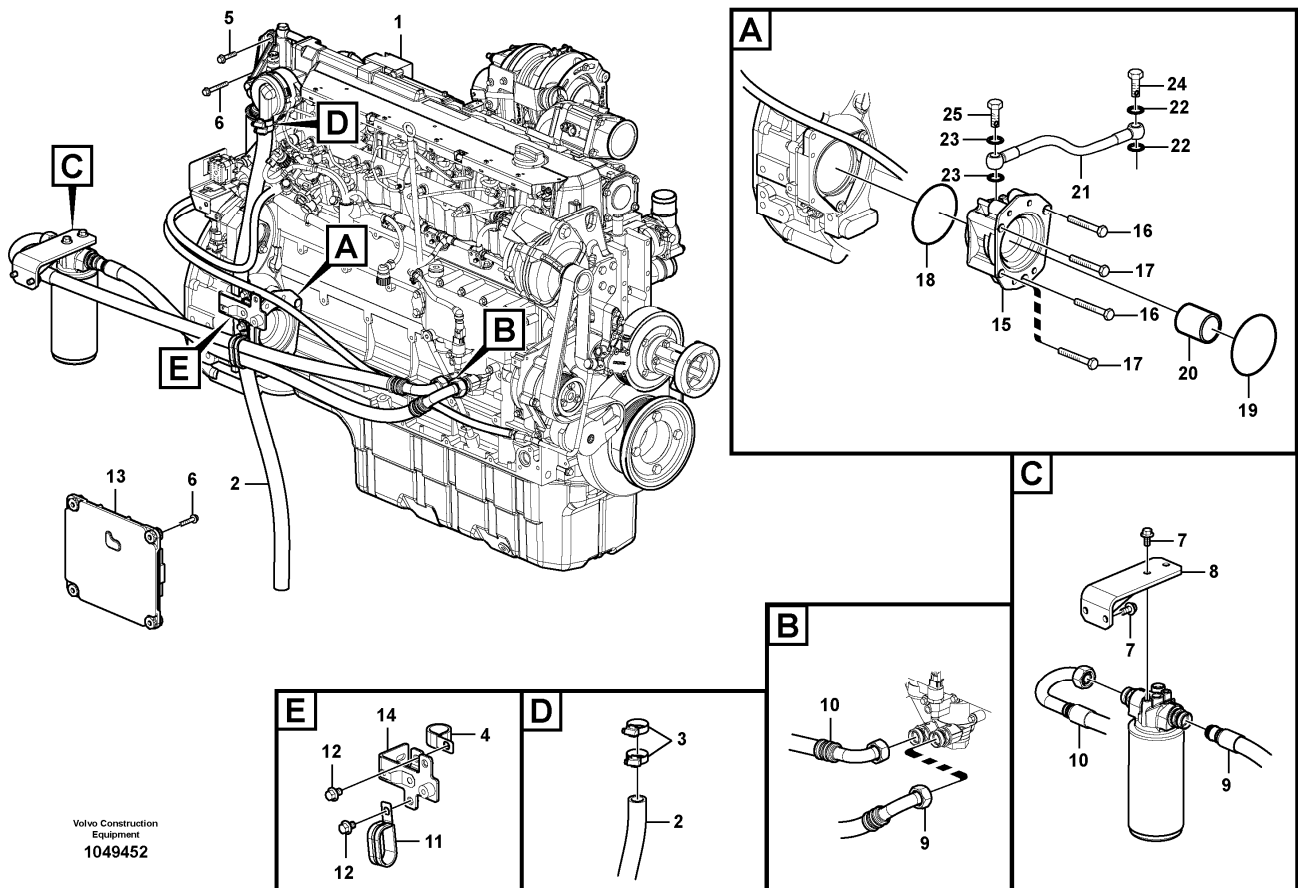
Section option	Kit	Option description
VOE8286124		Engine without Epa label
VOE8286144		Leak-off line for slope-rotator on basic machine
VOE8287804		Engine with Epa label EMISSION CERTIFICATED FROM EU&EPA

Q1-Q5	Option	Option description	
Q1 8287804	VOE8287804	Engine with Epa label EMISSION CERTIFICATED FROM EU&EPA	
Q2 8286124	VOE8286124	Engine without Epa label	
Q3 8286144	VOE8286144	Leak-off line for slope-rotator on basic machine	

Pos	Part	Q1	Q2	Q3	Q4	Q5	PS	Kit	Description	Option(s)	Remark
1	VOE14536076	1							Engine		
	VOE14536073		1						Engine		
2	VOE14880502	1	1						Hose		
3	VOE943475	1	1						Hose clamp		

4	VOE14500297	1	1						Clip		
5	VOE947760	6	6						Flange screw		
6	VOE965180	1	1						Flange screw		
7	VOE946441	4	4						Flange screw		
8	VOE14578418	1	1				NS		Bracket		
9	VOE14595186	1	1						Hose		
10	VOE14578415	1	1						Hose		
11	VOE14507451	1	1						Clip		
12	VOE946471	3	3						Flange screw		
13	VOE60100000	1	1						Engine control unit		
14	VOE14525609	1	1						Bracket		
15	VOE14512729			1					Power take-off		
16	VOE20450821			2					•Screw		
17	VOE20450820			2					•Screw		
18	VOE20450818			1					•O-ring		
19	VOE20450819			1					•O-ring		(VOE11173158)
20	VOE20459123			1					•Sleeve		
21	VOE20459170			1					•Oil pipe		
22	VOE13947621			2					•Plane gasket		
23	VOE13947281			2					•Gasket		
24	VOE7025167			1					•Hollow screw		
25	VOE20460289			1					•Hollow screw		

Date: 2013/10/28	Image id: 1049452	Catalogue: 20460	Model: EC210B LC
Brand: Volvo	Serial: 35001-, 70001-, 80001-	Group/Section: 210/150	Title: Engine



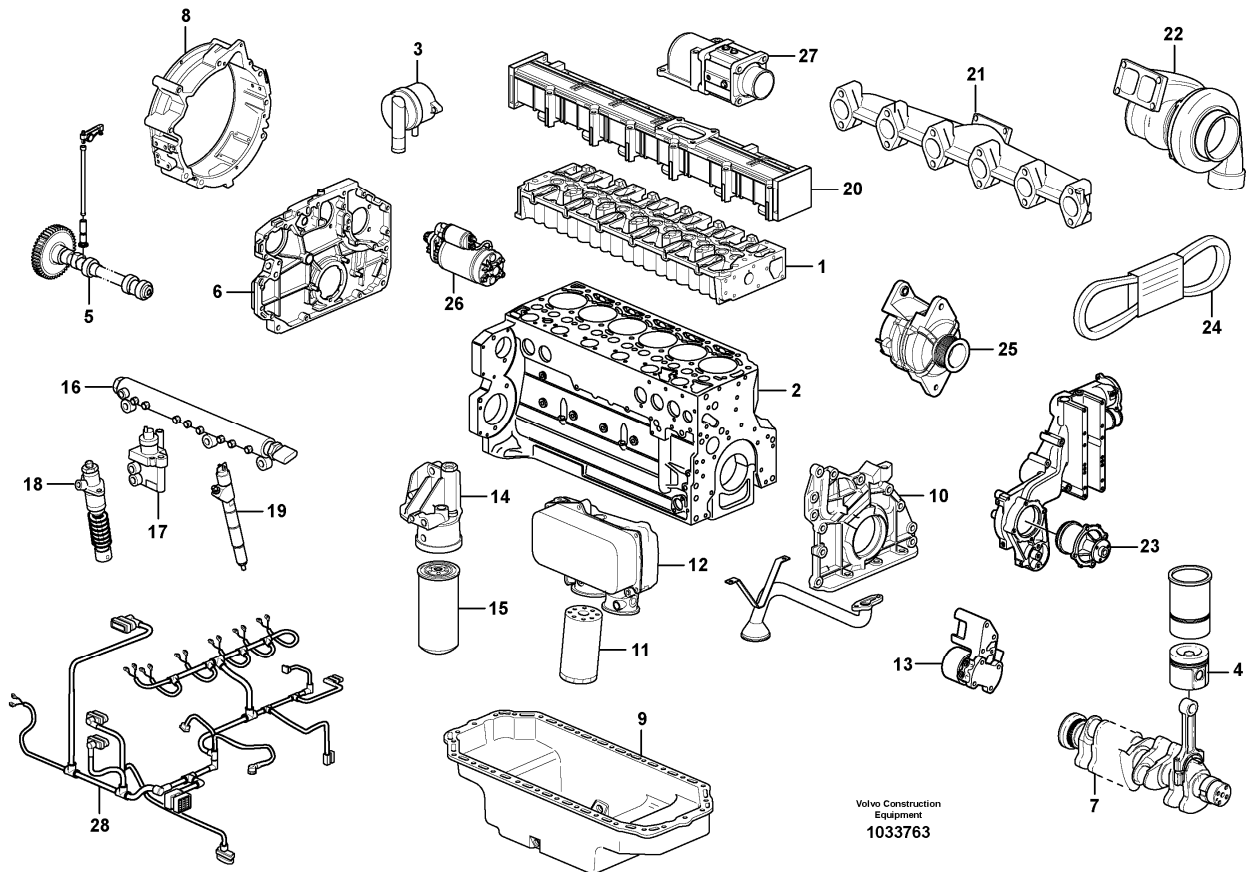
Section option	Kit	Option description
VOE8289500		Leak-off line for slope-rotator on basic machine
VOE8289518		Engine without Epa label
VOE8289519		Engine with Epa label EMISSION CERTIFICATED FROM EU AND EPA

Q1-Q5	Option	Option description	
Q1 8289518	VOE8289518	Engine without Epa label	
Q2 8289519	VOE8289519	Engine with Epa label EMISSION CERTIFICATED FROM EU AND EPA	
Q3 8289500	VOE8289500	Leak-off line for slope-rotator on basic machine	

Pos	Part	Q1	Q2	Q3	Q4	Q5	PS	Kit	Description	Option(s)	Remark
1	VOE14536076	1							Engine		
	VOE14536073		1						Engine		
2	VOE14880502	1	1						Hose		

3	VOE943475	1	1						Hose clamp		
4	VOE14500297	1	1						Clip		
5	VOE947760	6	6						Flange screw		
6	VOE965180	1	1						Flange screw		
7	VOE946441	4	4						Flange screw		
8	VOE14578418	1	1				NS		Bracket		
9	VOE14595186	1	1						Hose		
10	VOE14578415	1	1						Hose		
11	VOE14507451	1	1						Clip		
12	VOE946471	3	3						Flange screw		
13	VOE60100000	1	1						Engine control unit		
14	VOE14525609	1	1						Bracket		
15	VOE14512729			1					Power take-off		
16	VOE20450821			2					•Screw		
17	VOE20450820			2					•Screw		
18	VOE20450818			1					•O-ring		
19	VOE20450819			1					•O-ring		(VOE11173158)
20	VOE20459123			1					•Sleeve		
21	VOE20459170			1					•Oil pipe		
22	VOE13947621			2					•Plane gasket		
23	VOE13947281			2					•Gasket		
24	VOE7025167			1					•Hollow screw		
25	VOE20460289			1					•Hollow screw		

Date: 2013/10/28	Image id: 1033763	Catalogue: 20460	Model: EC210B LC
Brand: Volvo	Serial: 35001-, 70001-, 80001-	Group/Section: 210/200	Title: Engine



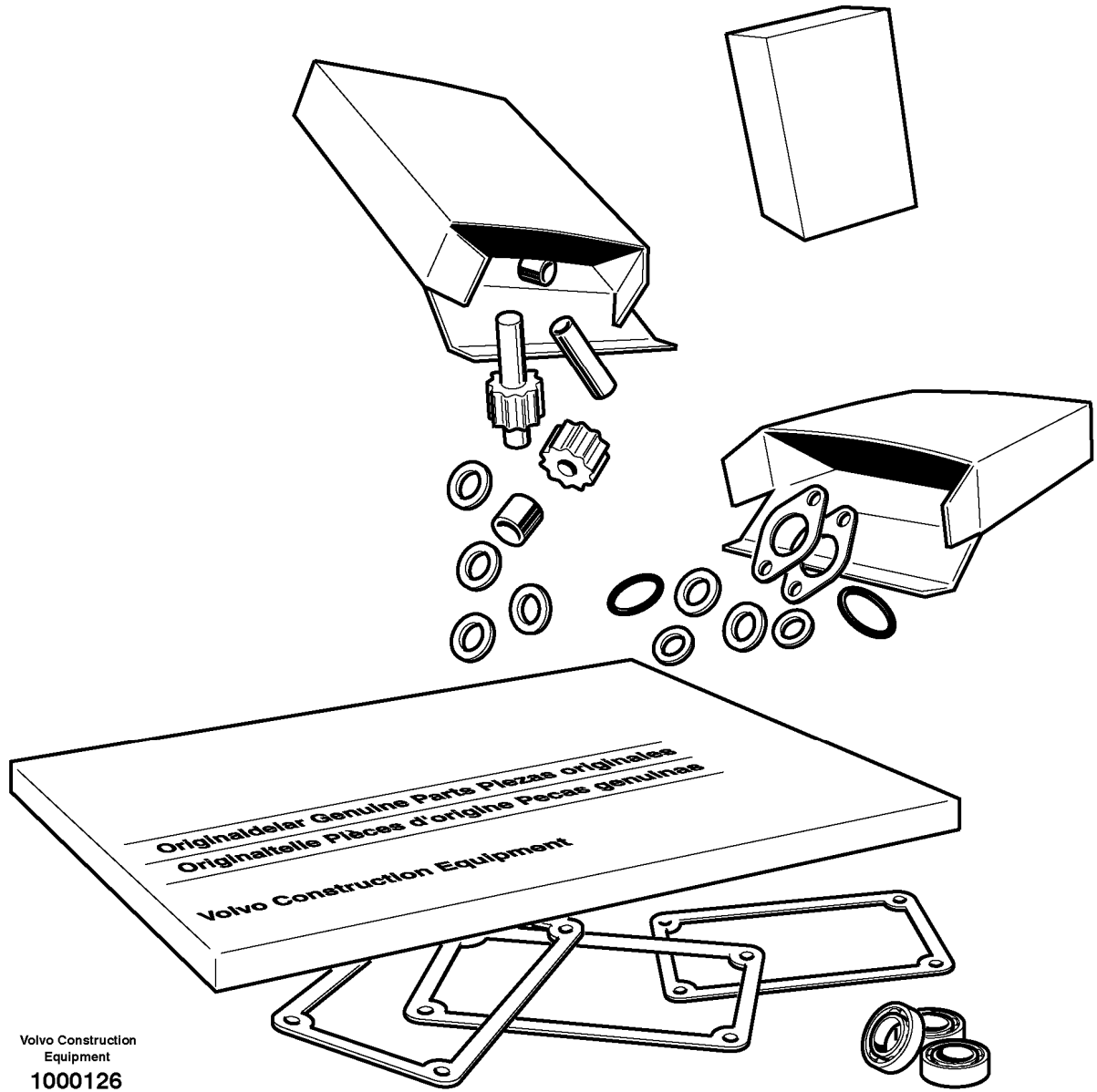
Section option	Kit	Option description
VOE8286124		Engine without Epa label
VOE8287804		Engine with Epa label EMISSION CERTIFICATED FROM EU&EPA

Q1-Q5	Option	Option description	
Q1 8286124	VOE8286124	Engine without Epa label	
Q2 8287804	VOE8287804	Engine with Epa label EMISSION CERTIFICATED FROM EU&EPA	

Pos	Part	Q1	Q2	Q3	Q4	Q5	PS	Kit	Description	Option(s)	Remark
	VOE14536073	1							Engine		D6EEAE2
	VOE14536076		1						Engine		D6EEAE3
1		1							•Cylinder head		See ref 211/100
1			1						•Cylinder head		See ref 211/110
2		1	1						•Cylinder block		See ref 212/100

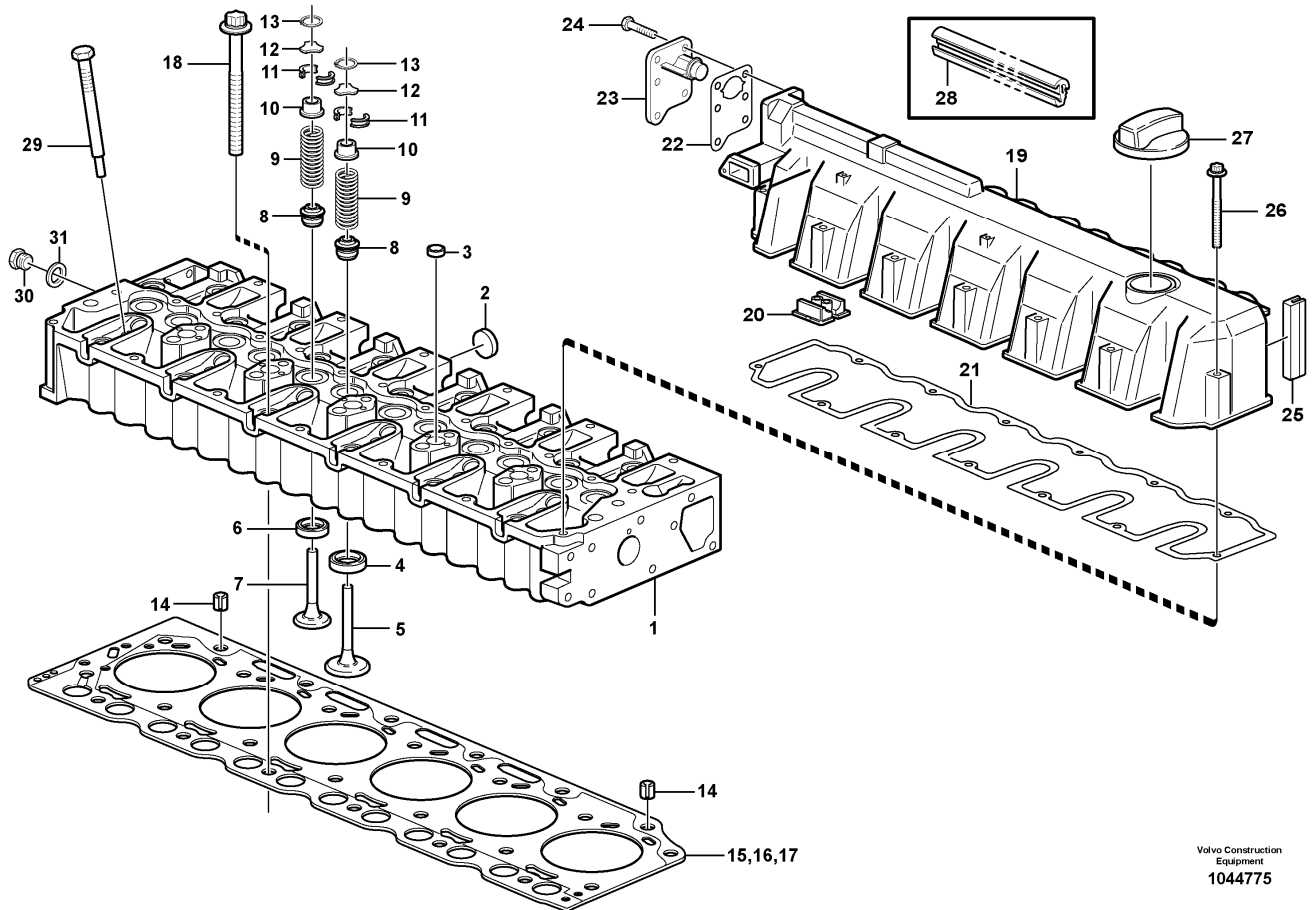
3		1	1						•Crankcase ventilation		See ref 212/300
4		6	6						•Piston		See ref 213/100
5		1							•Valve mechanism		See ref 214/100
5			1						•Valve mechanism		See ref 214/110
6		1	1						•Timing gear casing		See ref 215/100
7		1	1						•Crankshaft		See ref 216/100
8		1	1						•Flywheel Hsg		See ref 216/200
9		1	1						•Oil sump		See ref 217/100
10		1	1						•Lubricating system		See ref 221/100
11		1	1						•Oil filter		See ref 222/100
12		1	1						•Oil cooler		See ref 223/100
13		1	1						•Fuel pump		See ref 233/100
14		1	1						•Fuel Filter Housing		See ref 233/300
15		1	1						•Fuel Filter		See ref 233/300
16		1	1						•Rail		See ref 237/100
17		1	1						•Regulator		See ref 237/100
18		2	2						•Injection pump		See ref 237/100
19		6	6						•Injector		See ref 237/100
20		1	1						•Inlet Manifold		See ref 251/100
21		1	1						•Exhaust pipe		See ref 252/200
22		1	1						•Turbocharger		See ref 255/100
23		1	1						•Coolant Pump		See ref 262/100
24		1	1						•Belt Xmsn		See ref 263/100
25		1	1						•Alternator		See ref 321/100
26		1	1						•Starter motor		See ref 331/100
27		1	1						•Pre-heater		See ref 333/100
28		1	1						•Cable harness		See ref 371/300

Date: 2013/10/28	Image id: 1000126	Catalogue: 20460	Model: EC210B LC
Brand: Volvo	Serial: 35001-, 70001-, 80001-	Group/Section: 210/300	Title: Repair kits for engine



Pos	Part	Q1	Q2	Q3	Q4	Q5	PS	Kit	Description	Option(s)	Remark
	VOE15011856	1							Overhaul kit		
	VOE15011854	1							•Cylinder head kit		
	VOE20890422	6							•Cyl Liner Kit		

Date: 2013/10/28	Image id: 1044775	Catalogue: 20460	Model: EC210B LC
Brand: Volvo	Serial: 35001-, 70001-, 80001-	Group/Section: 211/100	Title: Cylinder head



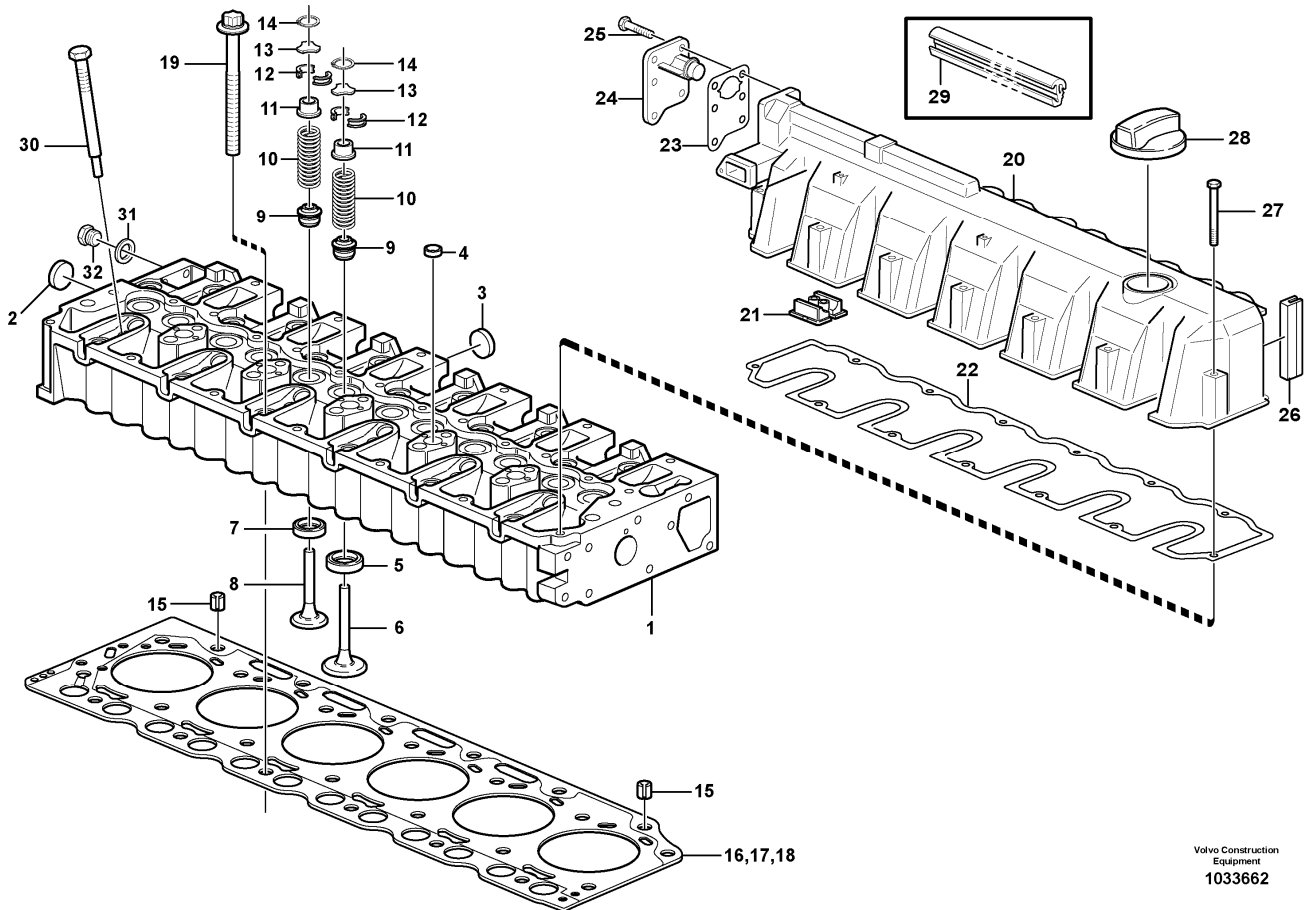
Section option	Kit	Option description
VOE8286124		Engine without Epa label

Q1-Q5	Option	Option description	
Q1 8286124	VOE8286124	Engine without Epa label	

Pos	Part	Q1	Q2	Q3	Q4	Q5	PS	Kit	Description	Option(s)	Remark
1	VOE20941118	1							Cylinder head		
2	VOE20412745	5							•Core plug		
3	VOE20412733	5							•Core plug		
4	VOE20849976	6							•Valve seat		
5	VOE20798699	6							•Inlet valve		
6	VOE20849979	6							•Valve seat		
7	VOE20798533	6							•Exhaust Valve		
8	VOE20459855	12							•Valve seal		

9	VOE20459851	12							•Valve spring		
10	VOE20840747	12							•Spring Disc		
11	VOE20459857	24							•Valve sleeve		
12	VOE20840807	12							•Thrust Washer		
13	VOE20840772	12							•Snap Ring		
14	VOE20459839	2							Bushing		
15	VOE20798183	1							Cyl Head Gasket		THICK = 1,27 MM 1 BORE
16	VOE20798186	1							Cyl Head Gasket		THICK = 1,37 MM 2 BORES
17	VOE20798191	1							Cyl Head Gasket		THICK = 1,47 MM 3 BORES
18	VOE20459838	19							Bolt		
19	VOE21134620	1							Valve cover		
20	VOE20412590	1							•Cap		
21	VOE20841035	1							•Gasket		
22	VOE20840801	1							•Gasket		
23	VOE20933359	1							•Oil Separator		
24	VOE20797542	6							•Screw		
25	VOE20859647	2							•Seal		
26	VOE21145471	13							Flange screw		
27	VOE20412589	1							Filler cap		
28	VOE20933362	1							Seal		
29	VOE20405895	1							Plug		
30	VOE20405716	1							Plug		
31	VOE13947621	1							Plane gasket		

Date: 2013/10/28	Image id: 1033662	Catalogue: 20460	Model: EC210B LC
Brand: Volvo	Serial: 35001-, 70001-, 80001-	Group/Section: 211/110	Title: Cylinder head



Volvo Construction
Equipment
1033662

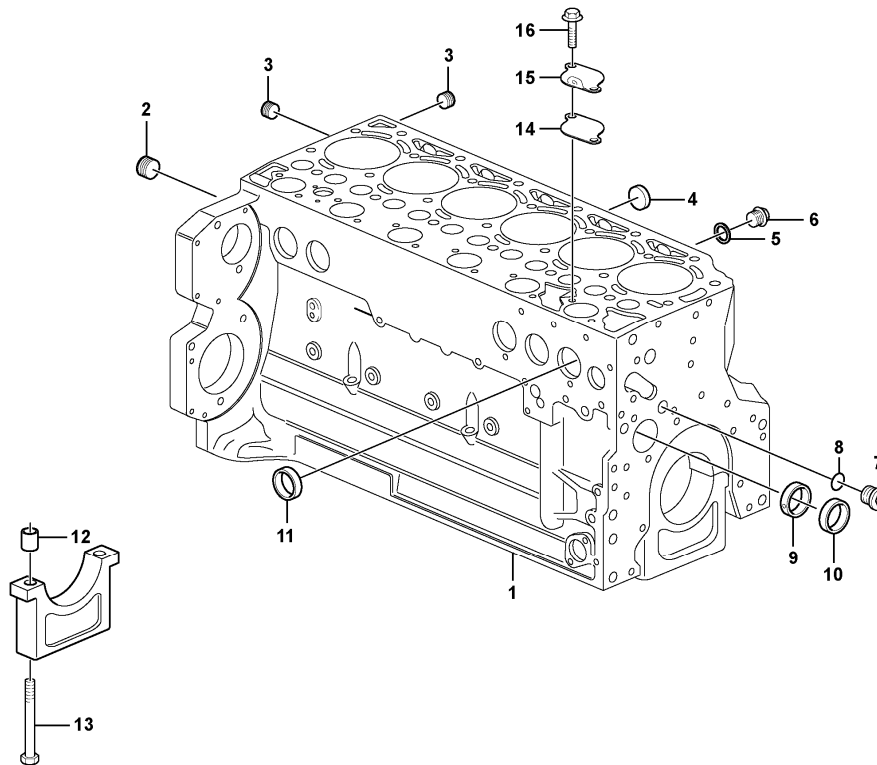
Section option	Kit	Option description
VOE8287804		Engine with Epa label EMISSION CERTIFICATED FROM EU&EPA

Q1-Q5	Option	Option description	
Q1 8287804	VOE8287804	Engine with Epa label EMISSION CERTIFICATED FROM EU&EPA	

Pos	Part	Q1	Q2	Q3	Q4	Q5	PS	Kit	Description	Option(s)	Remark
1	VOE20855301	1							Cylinder head		
2	VOE20914266	1							•Core Plug		
3	VOE20412745	5							•Core plug		
4	VOE20412733	5							•Core plug		
5	VOE20849976	6							•Valve seat		
6	VOE20798699	6							•Inlet valve		
7	VOE20849979	6							•Valve seat		
8	VOE20798533	6							•Exhaust Valve		

9	VOE20459855	12							•Valve seal		
10	VOE20459851	12							•Valve spring		
11	VOE20840747	12							•Spring Disc		
12	VOE20459857	24							•Valve sleeve		
13	VOE20840807	12							•Thrust Washer		
14	VOE20840772	12							•Snap Ring		
15	VOE20459839	2							Bushing		
16	VOE20798183	1							Cyl Head Gasket		THICK = 1,27 MM 1 BORE
17	VOE20798186	1							Cyl Head Gasket		THICK = 1,37 MM 2 BORES
18	VOE20798191	1							Cyl Head Gasket		THICK = 1,47 MM 3 BORES
19	VOE20459838	19							Bolt		
20	VOE21134620	1							Valve cover		
21	VOE20412590	1							•Cap		
22	VOE20841035	1							•Gasket		
23	VOE20840801	1							•Gasket		
24	VOE20933359	1							•Oil Separator		
25	VOE20797542	6							•Screw		
26	VOE20859647	2							•Seal		
27	VOE21145471	13							Flange screw		
28	VOE20412589	1							Filler cap		
29	VOE20933362	1							Seal		
30	VOE20405895	1							Plug		
31	VOE13947621	1							Plane gasket		
32	VOE20405716	1							Plug		

Date: 2013/10/28	Image id: 1056306	Catalogue: 20460	Model: EC210B LC
Brand: Volvo	Serial: 35001-, 70001-, 80001-	Group/Section: 212/100	Title: Cylinder block 8286124,8287804

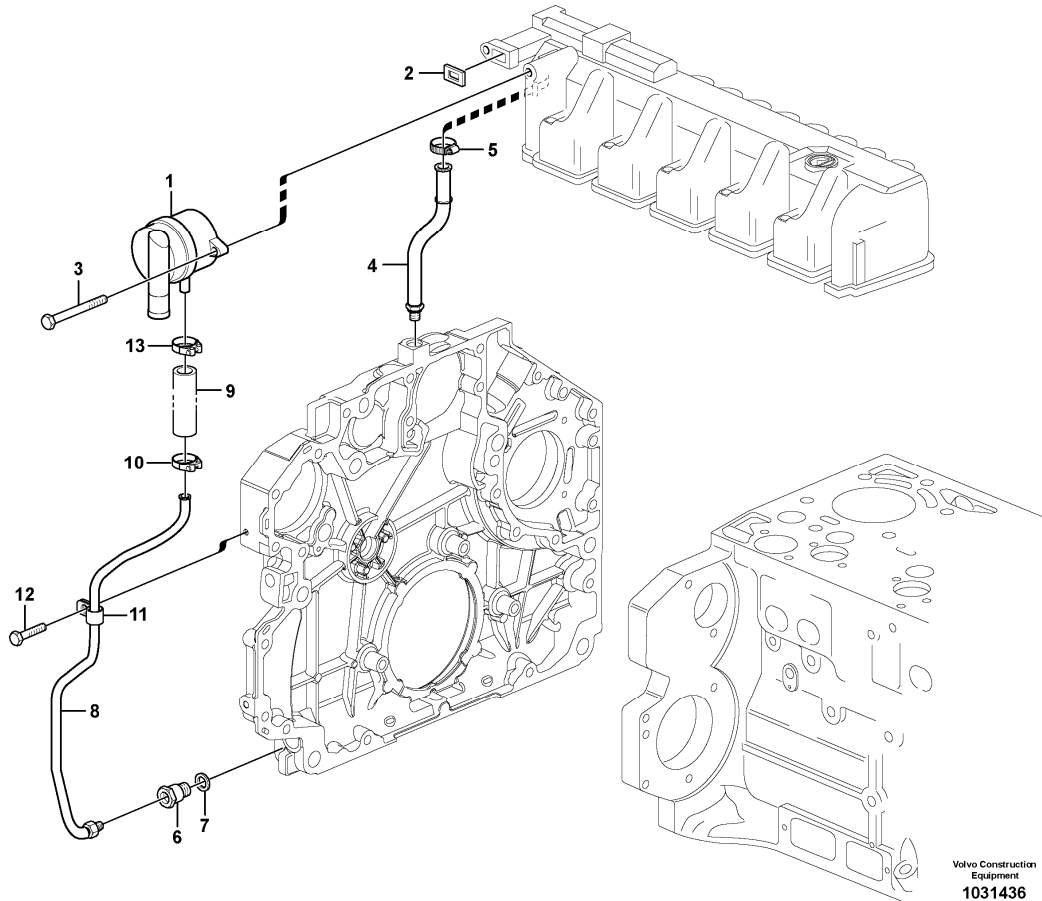


Volvo Construction
Equipment
1056306

Section option	Kit	Option description
VOE8286124		Engine without Epa label
VOE8287804		Engine with Epa label EMISSION CERTIFICATED FROM EU&EPA

Pos	Part	Q1	Q2	Q3	Q4	Q5	PS	Kit	Description	Option(s)	Remark
1	VOE21077566	1							Crankcase		
2	VOE20785813	1							•Plug		
3	VOE20508600	2							•Plug		
4	VOE20412745	6							•Core plug		
5	VOE13969011	2							•Gasket		
6	VOE20405716	2							•Plug		
7	VOE20998904	1							•Plug		
8	VOE20998903	1							•Sealing ring		
9	VOE20459998	1							•Camshaft bushing		
10	VOE20459999	6							•Camshaft bushing		

Date: 2013/10/28	Image id: 1031436	Catalogue: 20460	Model: EC210B LC
Brand: Volvo	Serial: 35001-, 70001-, 80001-	Group/Section: 212/300	Title: Crankcase ventilation 8286124,8287804

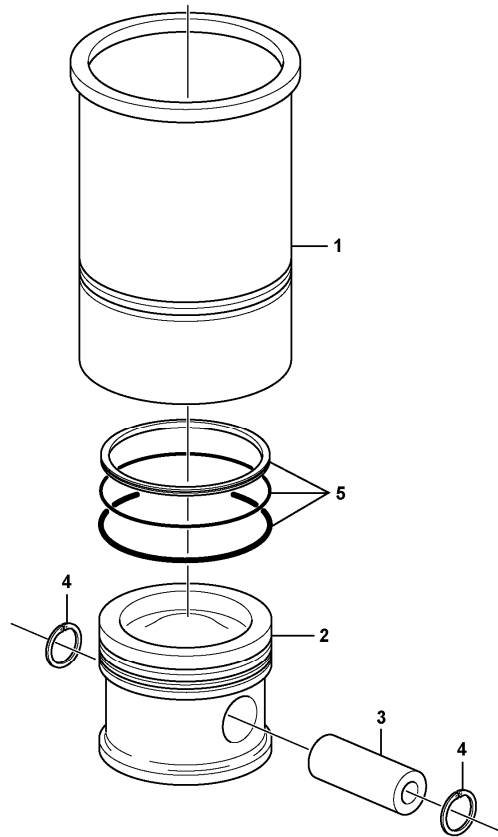


Volvo Construction
Equipment
1031436

Section option	Kit	Option description
VOE8286124		Engine without Epa label
VOE8287804		Engine with Epa label EMISSION CERTIFICATED FROM EU&EPA

Pos	Part	Q1	Q2	Q3	Q4	Q5	PS	Kit	Description	Option(s)	Remark
1	VOE20930510	1							Pressure regulator		
2	VOE21038626	1							•Gasket		
3	VOE20405504	2							Screw		
4	VOE20798824	1							Return Line		
5	VOE20799673	1							Hose Clamp		
6	VOE20841133	1							Dtt Regulator		
7	VOE20460026	1							Sealing ring		
8	VOE20840219	1							Oil Return Pipe		
9	VOE20799065	1							•Rubber Sleeve		
10	VOE20405568	1							•Clip		

Date: 2013/10/28	Image id: 1024633	Catalogue: 20460	Model: EC210B LC
Brand: Volvo	Serial: 35001-, 70001-, 80001-	Group/Section: 213/100	Title: Cylinder liner and piston 8286124,8287804

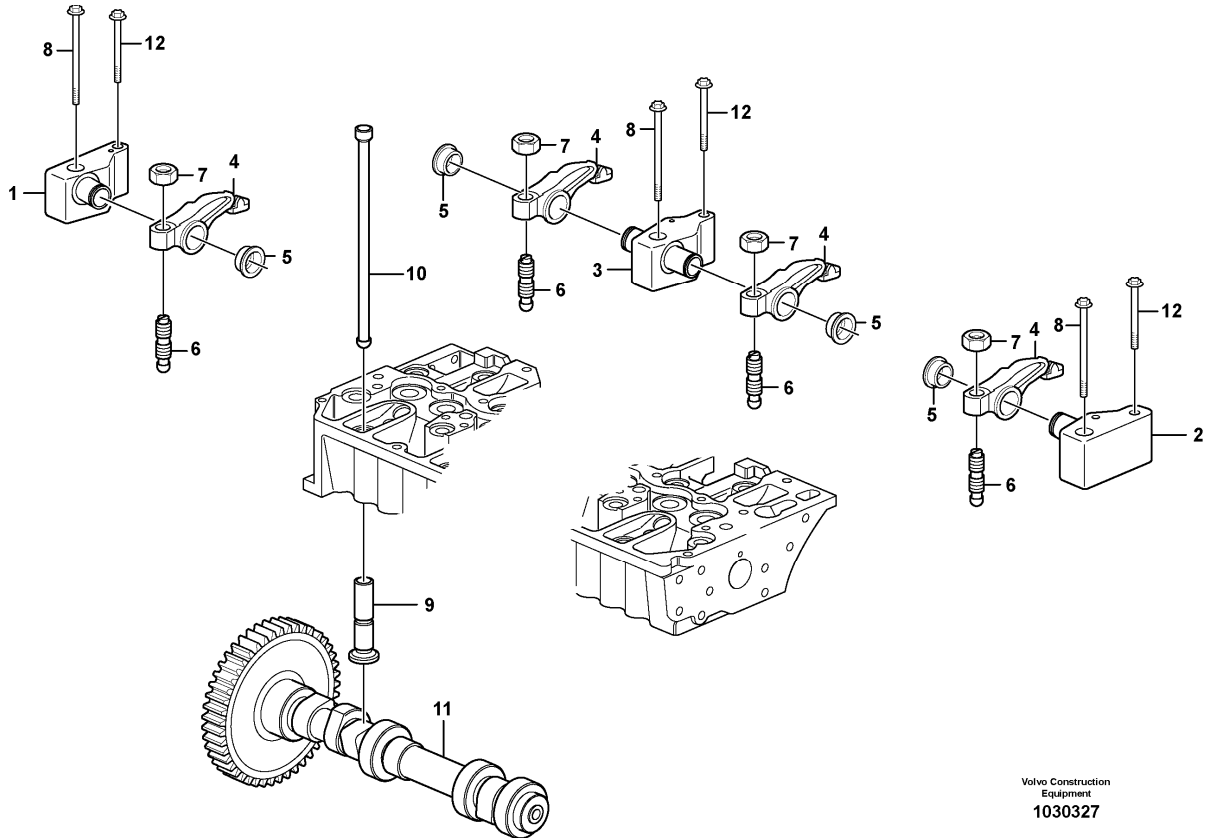


Volvo Construction
Equipment
1024633

Section option	Kit	Option description
VOE8286124		Engine without Epa label
VOE8287804		Engine with Epa label EMISSION CERTIFICATED FROM EU&EPA

Pos	Part	Q1	Q2	Q3	Q4	Q5	PS	Kit	Description	Option(s)	Remark
1	VOE20890422	6							Cyl Liner Kit		
2	VOE21291110	6					SE		•Piston		
3	VOE20798843	6							••Piston Pin		
4	VOE20798020	12							••Lock Ring		
5	VOE20799069	6							••Piston Ring Kit		

Date: 2013/10/28	Image id: 1030327	Catalogue: 20460	Model: EC210B LC
Brand: Volvo	Serial: 35001-, 70001-, 80001-	Group/Section: 214/100	Title: Valve mechanism



Volvo Construction
Equipment
1030327

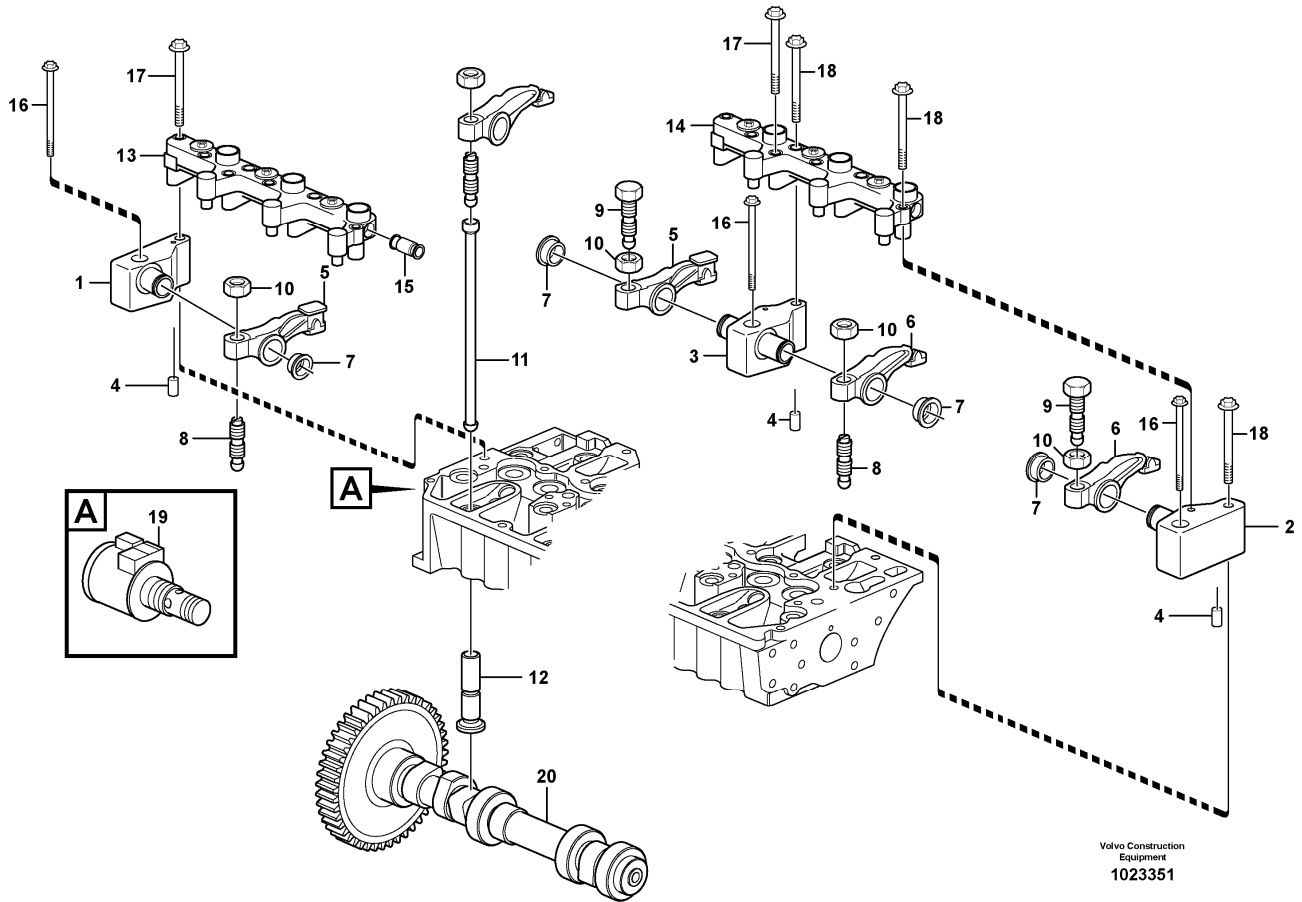
Section option	Kit	Option description
VOE8286124		Engine without Epa label

Q1-Q5	Option	Option description
Q1 8286124	VOE8286124	Engine without Epa label

Pos	Part	Q1	Q2	Q3	Q4	Q5	PS	Kit	Description	Option(s)	Remark
1	VOE20799056	1							Bracket		
2	VOE20799047	1							Bracket		
3	VOE20799053	3							Bracket		
4	VOE21448926	8							Rocker arm		(VOE20792876)
5	VOE20794115	8							Retaining ring		
6	VOE20913851	8							Adjusting Screw		
7	VOE11700373	8							Nut		
8	VOE20459837	5							Bolt		
9	VOE20799076	8							Tappet		
10	VOE20460008	8							Push rod		
11	VOE20838124	1							Camshaft		

12	VOE993275	5						Six point screw		
----	-----------	---	--	--	--	--	--	-----------------	--	--

Date: 2013/10/28	Image id: 1023351	Catalogue: 20460	Model: EC210B LC
Brand: Volvo	Serial: 35001-, 70001-, 80001-	Group/Section: 214/110	Title: Valve mechanism



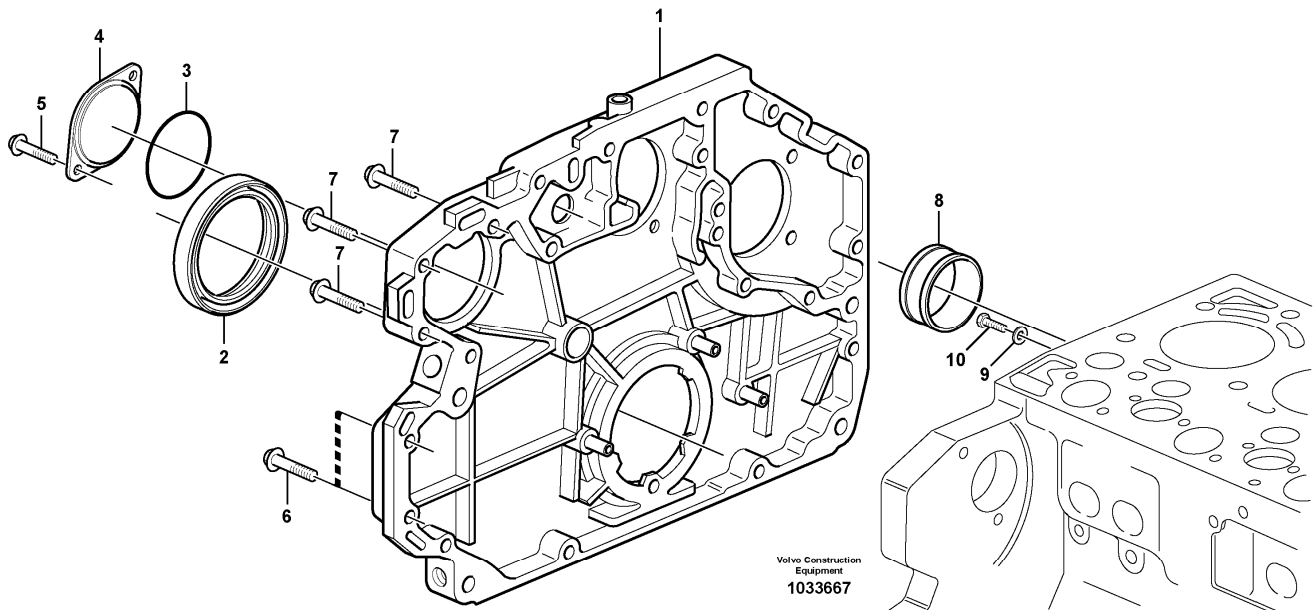
Section option	Kit	Option description
VOE8287804		Engine with Epa label EMISSION CERTIFICATED FROM EU&EPA

Q1-Q5	Option	Option description
Q1 8287804	VOE8287804	Engine with Epa label EMISSION CERTIFICATED FROM EU&EPA

Pos	Part	Q1	Q2	Q3	Q4	Q5	PS	Kit	Description	Option(s)	Remark
1	VOE20799056	1							Bracket		
2	VOE20799047	1							Bracket		
3	VOE20799053	5							Bracket		
4	VOE20790837	7							Pin		
5	VOE20792878	6							Rocker Arm		
6	VOE21448926	6							Rocker arm		(VOE20792876)
7	VOE20794115	12							Retaining ring		
8	VOE20913851	6							Adjusting Screw		

9	VOE20816389	6							Adjusting Screw		
10	VOE11700373	12							Nut		
11	VOE20460008	12							Push rod		
12	VOE20799076	12							Tappet		
13	VOE20799568	1							Valve Control		
14	VOE20799570	1							Valve Control		
15	VOE20798864	1							Pipe		
16	VOE20459837	7							Bolt		
17	VOE20799085	6							Screw		
18	VOE20799084	5							Screw		
19	VOE20795296	1							Solenoid valve		
20	VOE20838124	1							Camshaft		

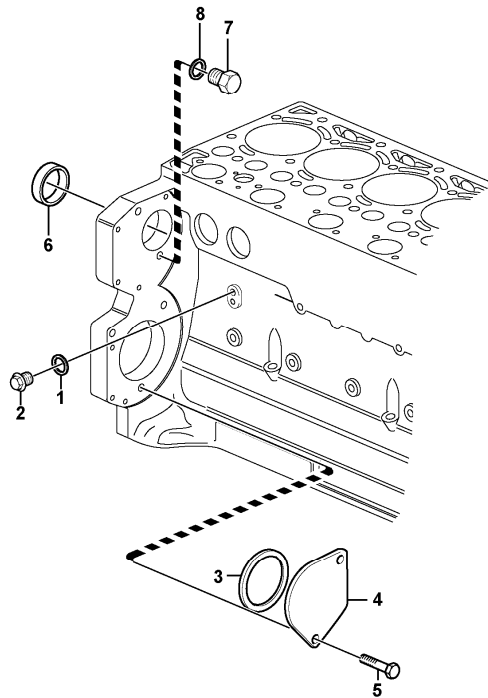
Date: 2013/10/28	Image id: 1033667	Catalogue: 20460	Model: EC210B LC
Brand: Volvo	Serial: 35001-, 70001-, 80001-	Group/Section: 215/100	Title: Timing gear casing 8286124,8287804



Section option	Kit	Option description
VOE8286124		Engine without Epa label
VOE8287804		Engine with Epa label EMISSION CERTIFICATED FROM EU&EPA

Pos	Part	Q1	Q2	Q3	Q4	Q5	PS	Kit	Description	Option(s)	Remark
1	VOE20841195	1							Gear Housing		
2	VOE20459115	1							Crankshaft seal		
3	VOE20405652	1							Sealing ring		
4	VOE20950063	1							Cover		
5	VOE20450801	2							Screw		
6	VOE20412324	12							Screw		
7	VOE20450801	3							Screw		
8	VOE20460092	1							Bushing		
9	VOE20460087	1							Washer		
10	VOE20460101	1							Screw		

Date: 2013/10/28	Image id: 1031450	Catalogue: 20460	Model: EC210B LC
Brand: Volvo	Serial: 35001-, 70001-, 80001-	Group/Section: 215/300	Title: Pump drive power take-off 8286124,8287804

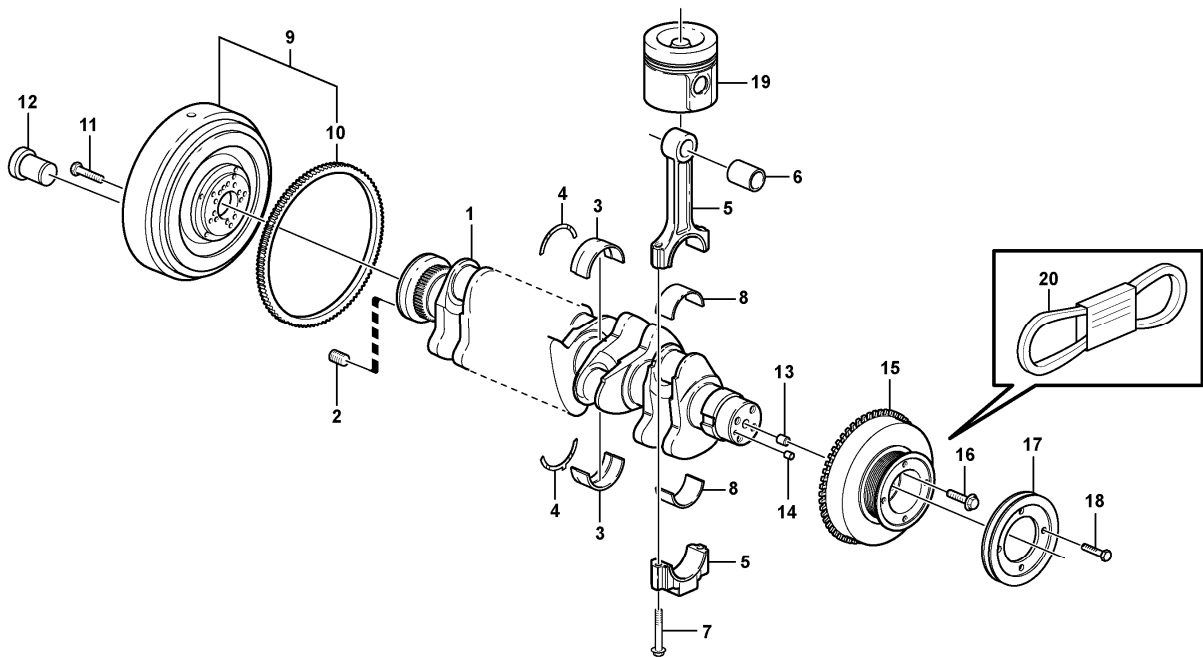


Volvo Construction
Equipment
1031450

Section option	Kit	Option description
VOE8286124		Engine without Epa label
VOE8287804		Engine with Epa label EMISSION CERTIFICATED FROM EU&EPA

Pos	Part	Q1	Q2	Q3	Q4	Q5	PS	Kit	Description	Option(s)	Remark
1	VOE13947621	1							Plane gasket		
2	VOE20405716	1							Plug		
3	VOE20412359	1							Sealing ring		
4	VOE24426064	1							Cover		
5	VOE888289	2							Hexagon screw		
6	VOE20450778	1							Core plug		
7	VOE20441859	1							Plug		
8	VOE13947281	1							Gasket		

Date: 2013/10/28	Image id: 1043957	Catalogue: 20460	Model: EC210B LC
Brand: Volvo	Serial: 35001-, 70001-, 80001-	Group/Section: 216/100	Title: Crankshaft and related parts 8286124,8287804



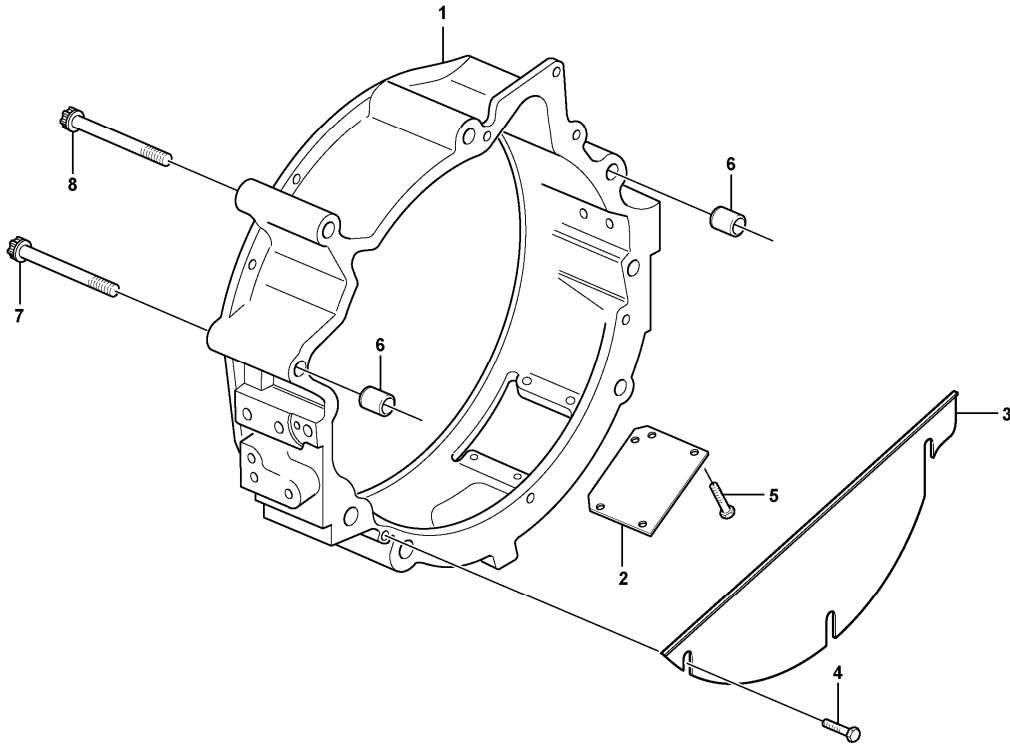
Volvo Construction
Equipment
1043957

Section option	Kit	Option description
VOE8286124		Engine without Epa label
VOE8287804		Engine with Epa label EMISSION CERTIFICATED FROM EU&EPA

Pos	Part	Q1	Q2	Q3	Q4	Q5	PS	Kit	Description	Option(s)	Remark
1	VOE20838068	1							Crankshaft		
2	VOE20459144	10							Insert		
3	VOE20850106	7							Main Bearing		STD 84,00 MM
3	VOE20850110	7							Main Bearing		U SZ 83,75 MM
4	VOE20850116	2							Thrust washer		STD 2,15 MM
4	VOE20850122	2							Thrust Washer		O SZ 2,35 MM
5	VOE20851091	6							Connecting rod		
6	VOE20799647	6							•Piston Bearing		
7	VOE20799587	12							•Bolt		
8	VOE20850096	6							Big End Brg Kit		STD 63,00 MM

8	VOE20850097	6							Big End Brg Kit		U SZ 62,75 MM
9	VOE20524696	1							Flywheel		
10	VOE21033328	1							•Gear Ring		
11	VOE20405654	10							Bolt		
12	VOE20405643	5							Plug		
13	VOE20405634	1							Spring pin		
14	VOE20450628	1							Pin		
15	VOE20799122	1							V-belt Pulley		
16	VOE20405724	4							Screw		
17	VOE20459155	1							Pulley		
18	VOE20459156	4							Screw		
19		1							Piston		See ref 213/100
20		1							V-ribbed Belt		See ref 263/100

Date: 2013/10/28	Image id: 1027113	Catalogue: 20460	Model: EC210B LC
Brand: Volvo	Serial: 35001-, 70001-, 80001-	Group/Section: 216/200	Title: Flywheel housing 8286124,8287804

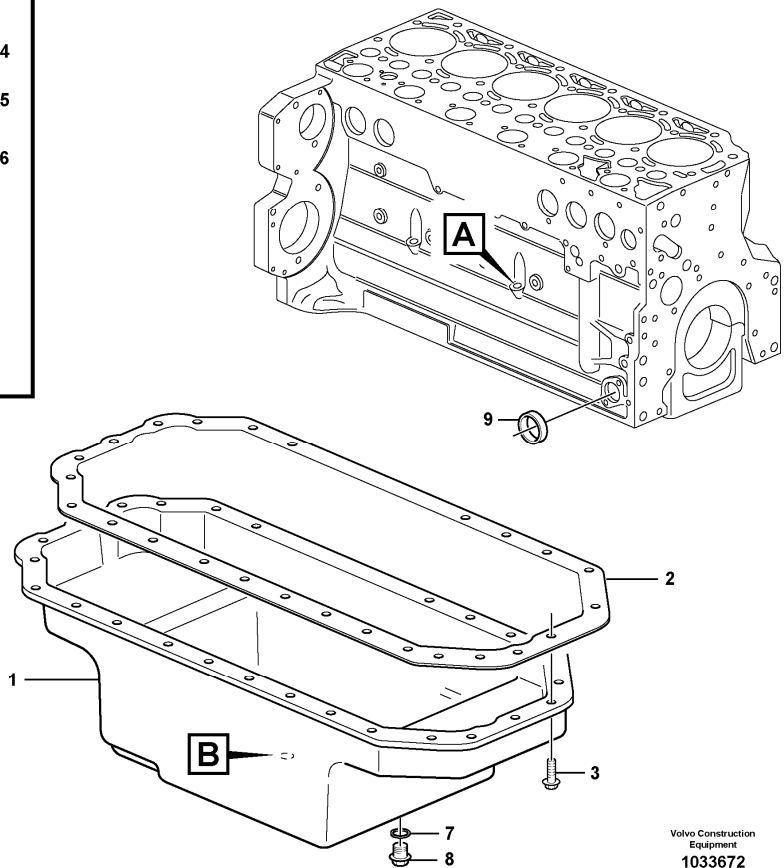
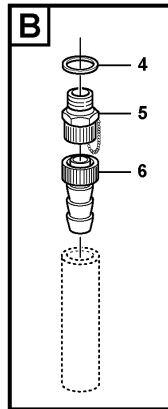
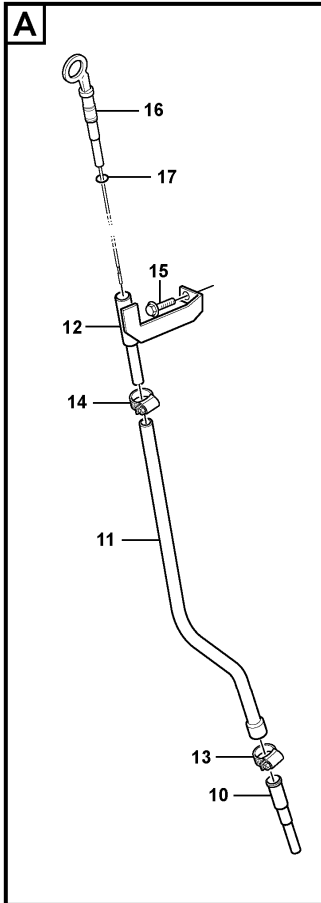


Volvo Construction
Equipment
1027113

Section option	Kit	Option description
VOE8286124		Engine without Epa label
VOE8287804		Engine with Epa label EMISSION CERTIFICATED FROM EU&EPA

Pos	Part	Q1	Q2	Q3	Q4	Q5	PS	Kit	Description	Option(s)	Remark
1	VOE21018780	1							Flywheel Hsg		(VOE21044436)
2	VOE20547288	1							•Cover Plate		
3	VOE20459989	1							•Cover		
4	VOE20405729	3							•Screw		
5	VOE20405729	4							•Screw		
6	VOE20585971	2							Bushing		
7	VOE20459996	2							Screw		
8	VOE20459995	4							Screw		

Date: 2013/10/28	Image id: 1033672	Catalogue: 20460	Model: EC210B LC
Brand: Volvo	Serial: 35001-, 70001-, 80001-	Group/Section: 217/100	Title: Oil sump 8286124,8287804

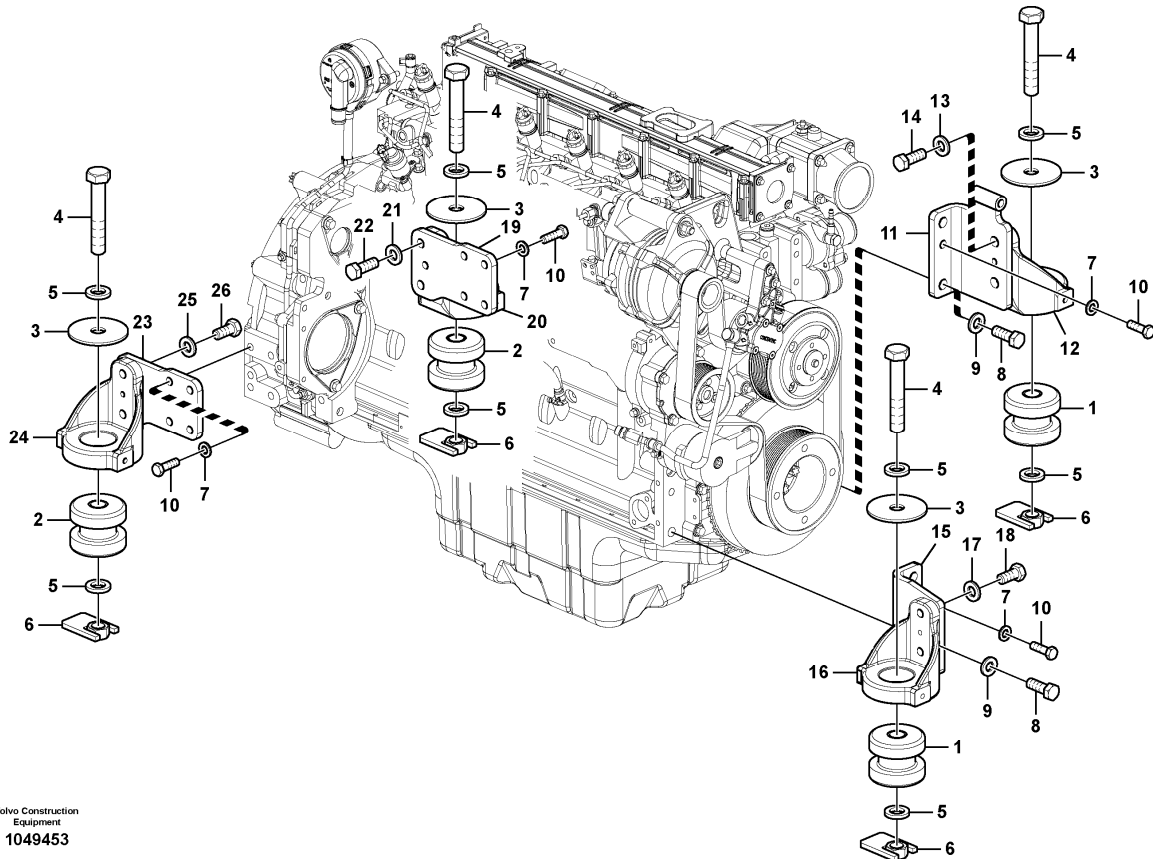


Volvo Construction
Equipment
1033672

Section option	Kit	Option description
VOE8286124		Engine without Epa label
VOE8287804		Engine with Epa label EMISSION CERTIFICATED FROM EU&EPA

Pos	Part	Q1	Q2	Q3	Q4	Q5	PS	Kit	Description	Option(s)	Remark
1	VOE20840491	1							Oil Pan		(VOE21099723)
2	VOE20460022	1							Gasket		
3	VOE20405792	28							Screw		
4	VOE13947624	1							Plane gasket		
5	VOE20450851	1							Drain valve		
6	VOE20478246	1							Hose		
7	VOE20515173	1							Gasket		
8	VOE20515171	1							Plug		
9	VOE20412745	1							Core plug		
10	VOE20459164	1							Guide tube		

Date: 2013/10/28	Image id: 1049453	Catalogue: 20460	Model: EC210B LC
Brand: Volvo	Serial: 35001-, 70001-, 80001-	Group/Section: 218/100	Title: Engine mounting 8286123,8289465



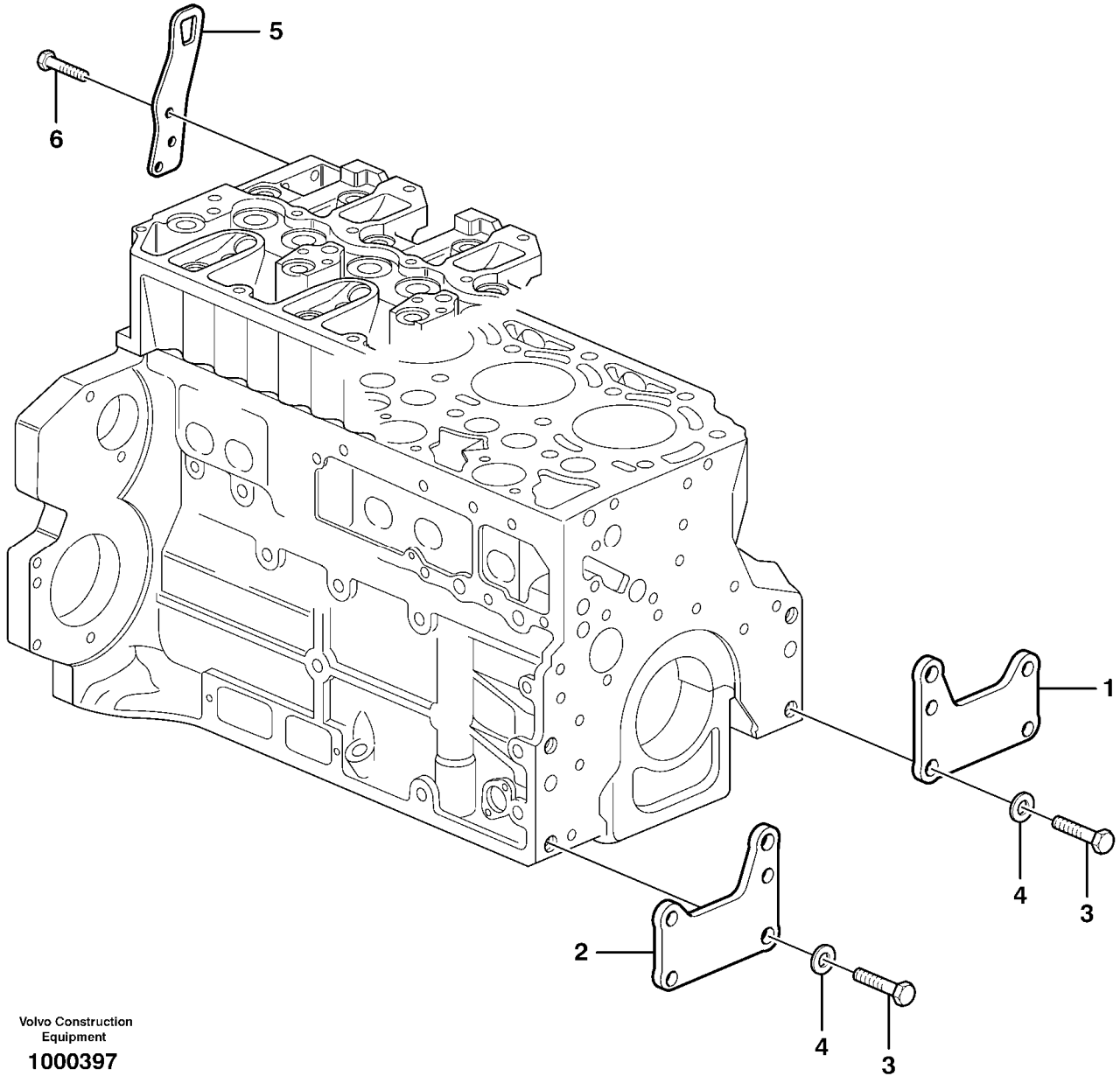
Volvo Construction
Equipment
1049453

Section option	Kit	Option description
VOE8286123		Upper frame 2700MM
VOE8289465		Basic Machine 2700 UPPER

Pos	Part	Q1	Q2	Q3	Q4	Q5	PS	Kit	Description	Option(s)	Remark
1	VOE14526154	2							Cushion		
2	VOE14526155	2							Cushion		
3	VOE14526169	4							Plate		
4	VOE992992	4							Screw		
5	VOE992059	8							Plain washer		
6	VOE14512933	4							Nut		
7	VOE992042	10							Plain washer		
8	VOE978937	4							Hexagon screw		
9	VOE992045	4							Plain washer		
10	VOE993029	10							Hexagon screw		

11	VOE14599880	1							Bracket		
12	VOE14572876	1							•Bracket		
13	VOE992045	2							•Plain washer		
14	VOE978936	2							•Hexagon screw		
15	VOE14596725	1							Bracket		
16	VOE14572876	1							•Bracket		
17	VOE992045	2							•Plain washer		
18	VOE978936	2							•Hexagon screw		
19	VOE14598167	1							Bracket		
20	VOE14572876	1							•Bracket		
21	VOE992045	2							•Plain washer		
22	VOE978936	2							•Hexagon screw		
23	VOE14598168	1							Bracket		
24	VOE14572876	1							•Bracket		
25	VOE992045	2							•Plain washer		
26	VOE978936	2							•Hexagon screw		

Date: 2013/10/28	Image id: 1000397	Catalogue: 20460	Model: EC210B LC
Brand: Volvo	Serial: 35001-, 70001-, 80001-	Group/Section: 218/200	Title: Engine mounting 8286124,8287804



Section option	Kit	Option description
VOE8286124		Engine without Epa label
VOE8287804		Engine with Epa label EMISSION CERTIFICATED FROM EU&EPA

Pos	Part	Q1	Q2	Q3	Q4	Q5	PS	Kit	Description	Option(s)	Remark
1	VOE20723978	1							Bracket		
2	VOE20723984	1							Bracket		

Thank you so much for reading.
Please click the “Buy Now!”
button below to download the
complete manual.



After you pay.

You can download the most
perfect and complete manual in
the world immediately.

Our support email:

ebooklibonline@outlook.com