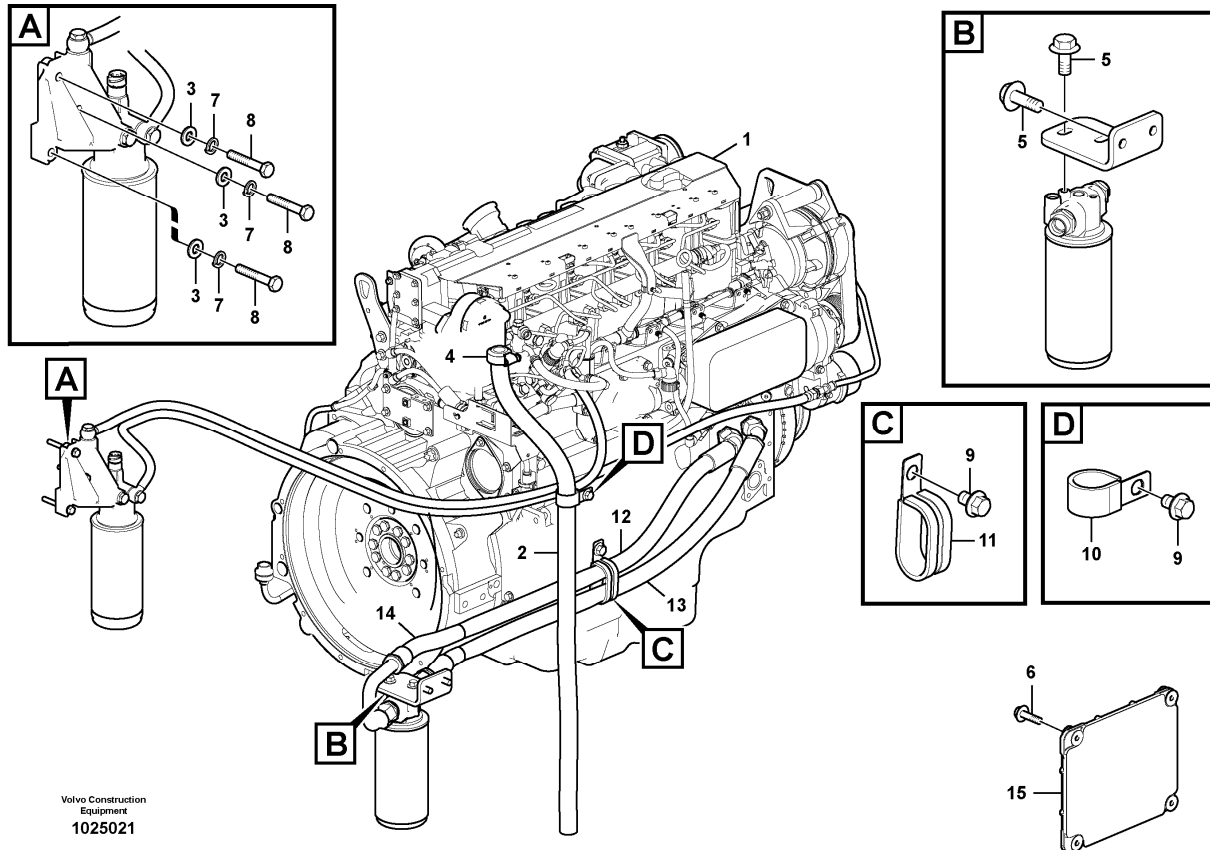


Date: <b>2013/10/29</b>	Image id: <b>1025021</b>	Catalogue: <b>20097</b>	Model: <b>EC210C L</b>
Brand: <b>Volvo</b>	Serial: <b>110001-, 120001-, 140001-</b>	Group/Section: <b>210/100</b>	Title: <b>Engine</b>



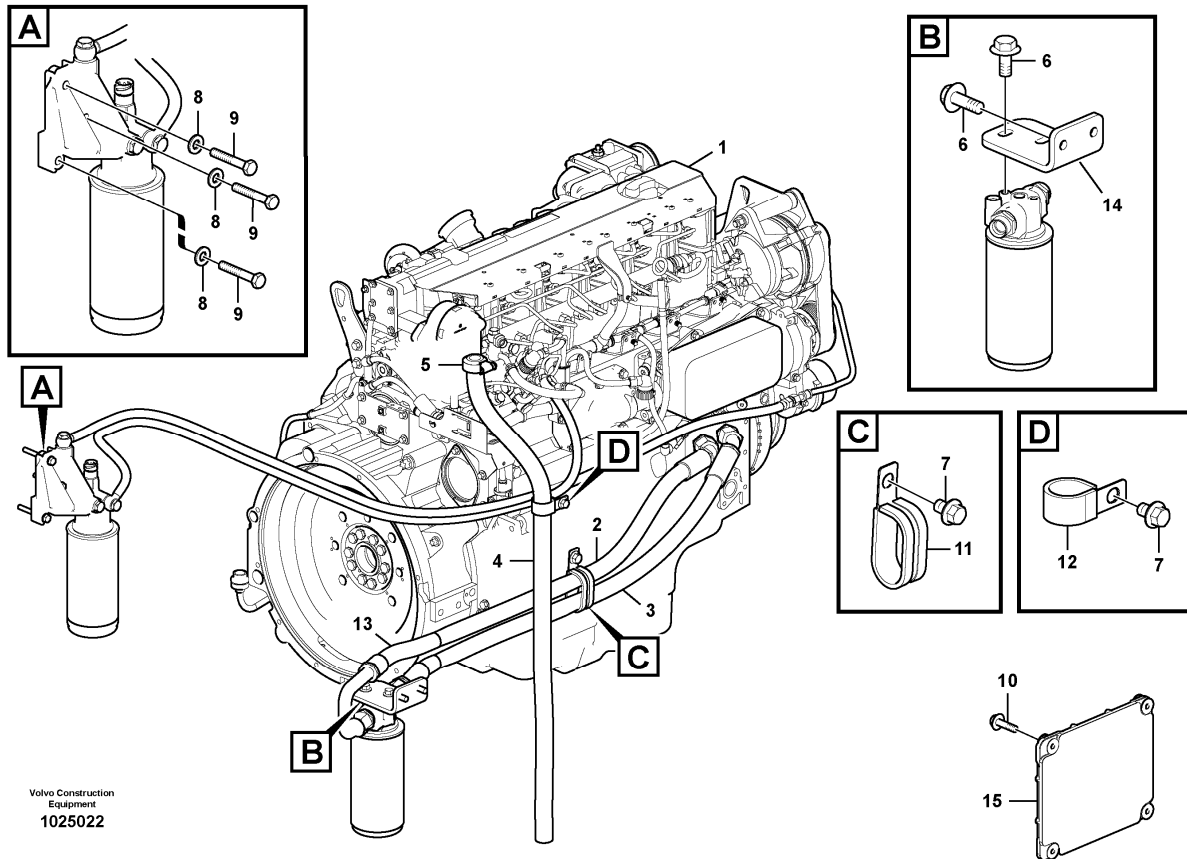
Section option	Kit	Option description
VOE8279771		Engine with Epa label EMISSION CERTIFICATED FROM EU&EPA

Q1-Q5	Option	Option description	
Q1 8279771	VOE8279771	Engine with Epa label EMISSION CERTIFICATED FROM EU&EPA	

Pos	Part	Q1	Q2	Q3	Q4	Q5	PS	Kit	Description	Option(s)	Remark
1	VOE14575314	1							Engine		(VOE14527730)
2	VOE14880502	1							Hose		
3	SA9211-08000	3							Washer		
4	SA9312-10175	1							Clamp		
5	VOE946441	4							Flange screw		
6	VOE947760	4							Flange screw		
7	VOE955921	3							Spring washer		
8	VOE983248	3							Hexagon screw		



Date: <b>2013/10/29</b>	Image id: <b>1025022</b>	Catalogue: <b>20097</b>	Model: <b>EC210C L</b>
Brand: <b>Volvo</b>	Serial: <b>110001-, 120001-, 140001-</b>	Group/Section: <b>210/150</b>	Title: <b>Engine</b>



Volvo Construction  
Equipment  
1025022

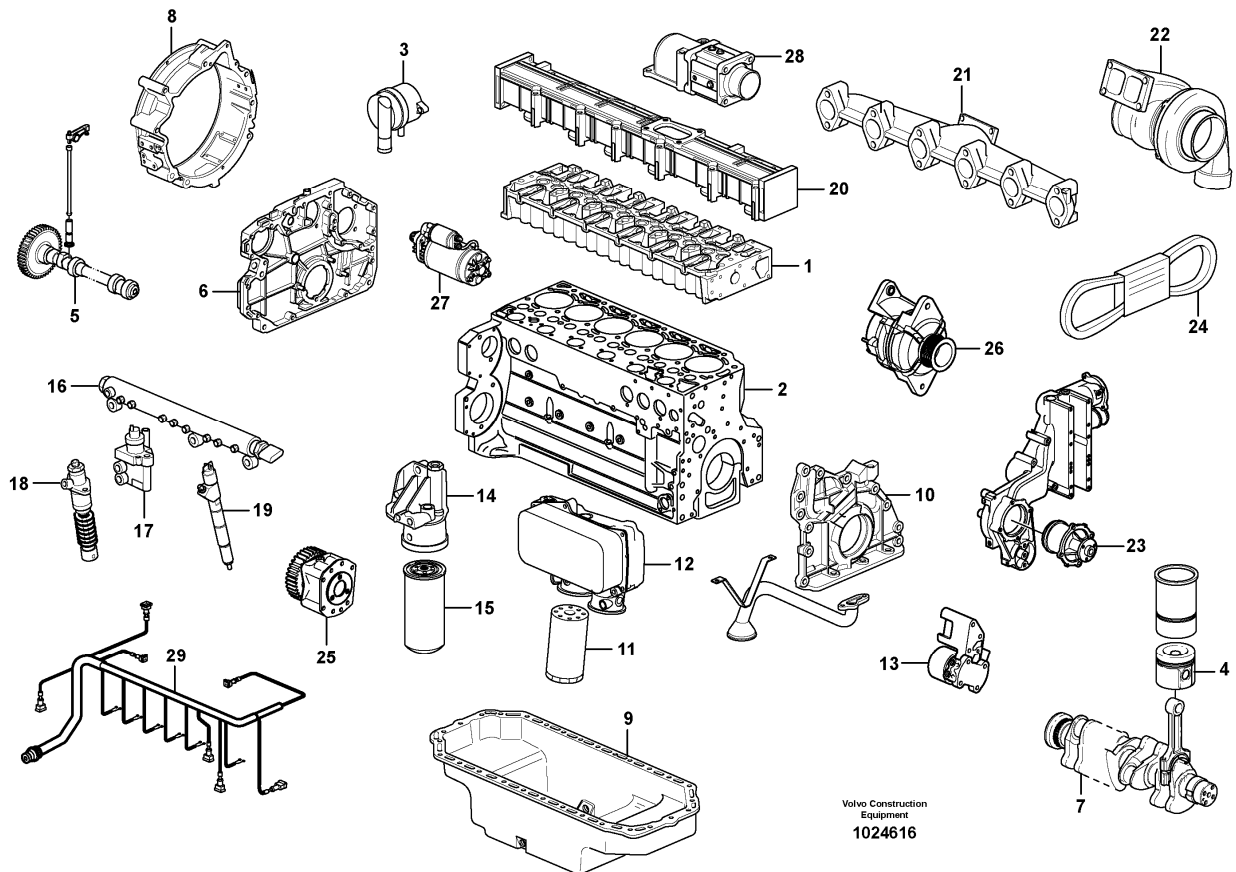
Section option	Kit	Option description
VOE8281232		Engine with Epa label EMISSION CERTIFICATED FROM EU&EPA

Q1-Q5	Option	Option description
Q1 8281232	VOE8281232	Engine with Epa label EMISSION CERTIFICATED FROM EU&EPA

Pos	Part	Q1	Q2	Q3	Q4	Q5	PS	Kit	Description	Option(s)	Remark
1	VOE14545980	1							Engine		
2	VOE14388666	1							Hose		(VOE14387122)
3	VOE14388667	1							Hose		(VOE14387123)S/N 110001-111335
	VOE14559222	1							Hose		S/N 111336-
4	VOE14880502	1							Hose		
5	SA9312-10175	1							Clamp		
6	VOE946441	4							Flange screw		



Date: <b>2013/10/29</b>	Image id: <b>1024616</b>	Catalogue: <b>20097</b>	Model: <b>EC210C L</b>
Brand: <b>Volvo</b>	Serial: <b>110001-, 120001-, 140001-</b>	Group/Section: <b>210/200</b>	Title: <b>Engine 8279771,8281232</b>

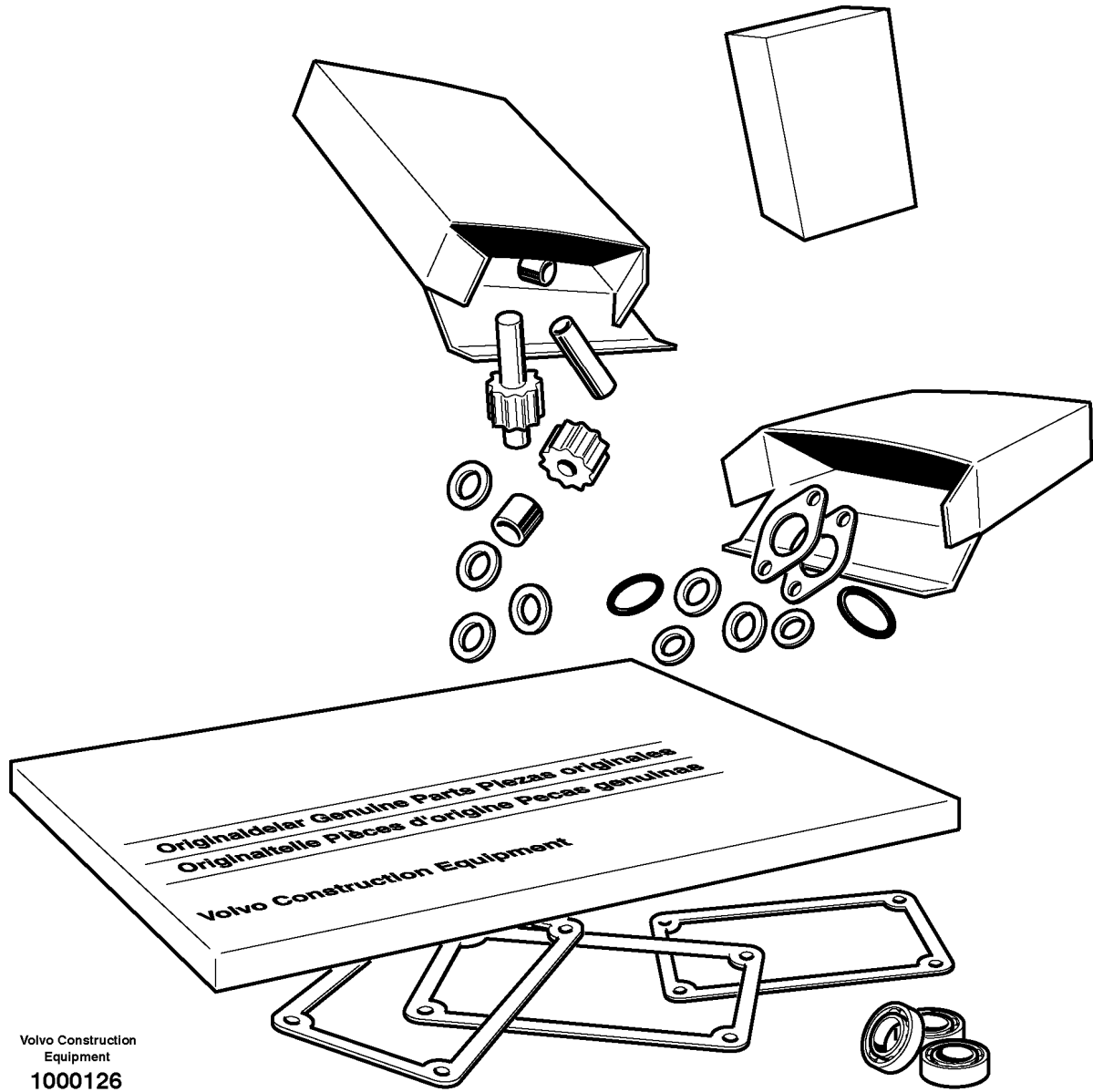


Section option	Kit	Option description
VOE8279771		Engine with Epa label EMISSION CERTIFICATED FROM EU&EPA
VOE8281232		Engine with Epa label EMISSION CERTIFICATED FROM EU&EPA

Pos	Part	Q1	Q2	Q3	Q4	Q5	PS	Kit	Description	Option(s)	Remark
	VOE14575314	1							Engine		(VOE14527730)D6E EAE3
	VOE14545980	1							Engine		D6E EFE3
1		1							•Cylinder head		See ref 211/100
2		1							•Cylinder block		See ref 212/100
3		1							•Crankcase ventilation		See ref 212/300
4		6							•Piston		See ref 213/100
5		1							•Valve mechanism		See ref 214/100
6		1							•Timing gear casing		See ref 215/100
7		1							•Crankshaft		See ref 216/100

8		1							•Flywheel Hsg		See ref 216/200
9		1							•Oil sump		See ref 217/100
10		1							•Lubricating system		See ref 221/100
11		1							•Oil filter		See ref 222/100
12		1							•Oil cooler		See ref 223/100
13		1							•Fuel pump		See ref 233/100
14		1							•Fuel Filter Housing		See ref 233/300
15		1							•Fuel Filter		See ref 233/300
16		1							•Rail		See ref 237/100
17		1							•Regulator		See ref 237/100
18		2							•Injection pump		See ref 237/100
19		6							•Injector		See ref 237/100
20		1							•Inlet Manifold		See ref 251/100
21		1							•Exhaust pipe		See ref 251/100
22		1							•Turbocharger		See ref 255/100
23		1							•Coolant Pump		See ref 262/100
24		1							•Belt Xmsn		See ref 263/100
25		1							•Pump drive		See ref 263/500
26		1							•Alternator		See ref 321/100
27		1							•Starter motor		See ref 331/100
28		1							•Pre-heater		See ref 333/100
29		1							•Cable harness		See ref 371/300

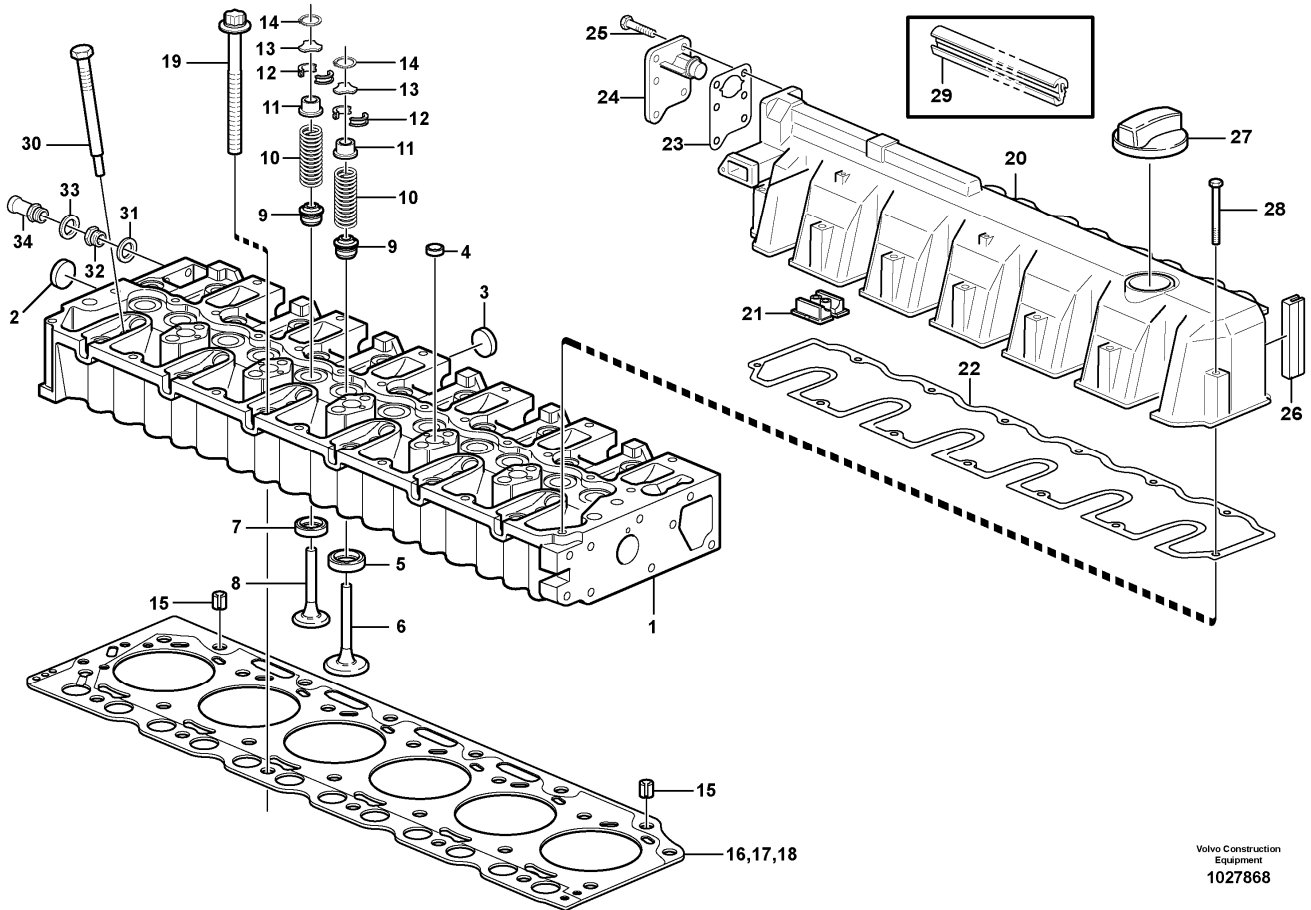
Date: <b>2013/10/29</b>	Image id: <b>1000126</b>	Catalogue: <b>20097</b>	Model: <b>EC210C L</b>
Brand: <b>Volvo</b>	Serial: <b>110001-, 120001-, 140001-</b>	Group/Section: <b>210/300</b>	Title: <b>Repair kits for engine 8279771,8281232</b>



Section option	Kit	Option description
VOE8279771		Engine with Epa label EMISSION CERTIFICATED FROM EU&EPA
VOE8281232		Engine with Epa label EMISSION CERTIFICATED FROM EU&EPA

Pos	Part	Q1	Q2	Q3	Q4	Q5	PS	Kit	Description	Option(s)	Remark
1	VOE15011856	1							Overhaul kit		
2	VOE15011854	1							•Cylinder head kit		
3	VOE20890422	6							•Cyl Liner Kit		

Date: <b>2013/10/29</b>	Image id: <b>1027868</b>	Catalogue: <b>20097</b>	Model: <b>EC210C L</b>
Brand: <b>Volvo</b>	Serial: <b>110001-, 120001-, 140001-</b>	Group/Section: <b>211/100</b>	Title: <b>Cylinder head 8279771,8281232</b>



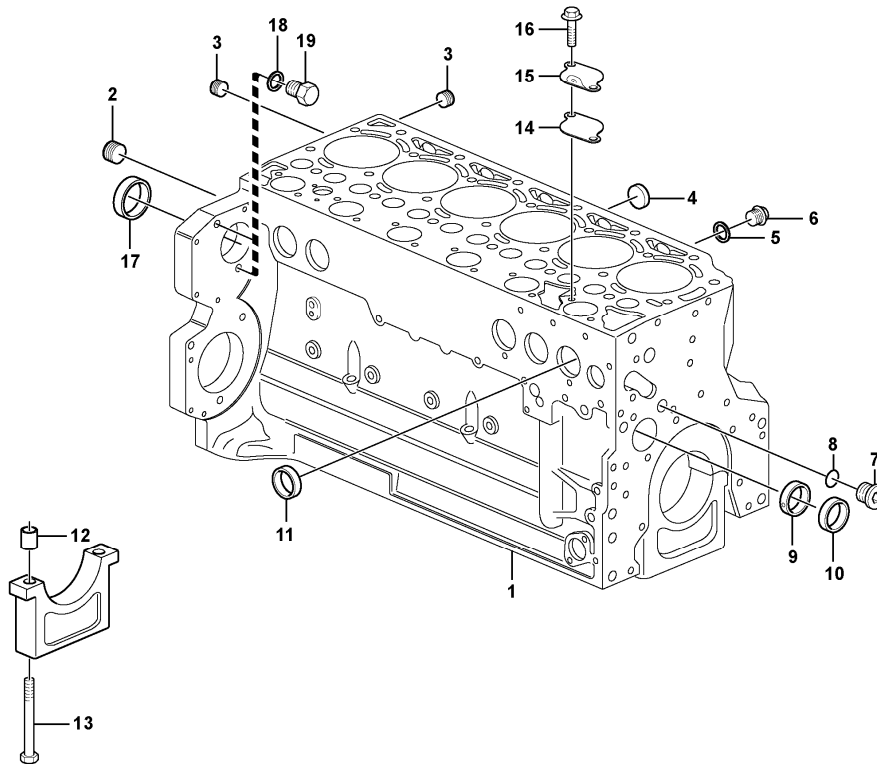
Section option	Kit	Option description
VOE8279771		Engine with Epa label EMISSION CERTIFICATED FROM EU&EPA
VOE8281232		Engine with Epa label EMISSION CERTIFICATED FROM EU&EPA

Pos	Part	Q1	Q2	Q3	Q4	Q5	PS	Kit	Description	Option(s)	Remark
1	VOE20855301	1							Cylinder head		
2	VOE20914266	1							•Core Plug		
3	VOE20412745	5							•Core plug		
4	VOE20412733	5							•Core plug		
5	VOE20849976	6							•Valve seat		
6	VOE20798699	6							•Inlet valve		
7	VOE20849979	6							•Valve seat		
8	VOE20798533	6							•Exhaust Valve		
9	VOE20459855	12							•Valve seal		
10	VOE20459851	12							•Valve spring		



11	VOE20840747	12							•Spring Disc		
12	VOE20459857	24							•Valve sleeve		
13	VOE20840807	12							•Thrust Washer		
14	VOE20840772	12							•Snap Ring		
15	VOE20459839	2							Bushing		
16	VOE20798183	1							Cyl Head Gasket		THICK = 1,27 MM 1 BORE
17	VOE20798186	1							Cyl Head Gasket		THICK = 1,37 MM 2 BORES
18	VOE20798191	1							Cyl Head Gasket		THICK = 1,47 MM 3 BORES
19	VOE20459838	19							Bolt		
20	VOE21037969	1							Valve Cover		
21	VOE20412590	1							•Cap		
22	VOE20841035	1							•Gasket		
23	VOE20840801	1							•Gasket		
24	VOE20933359	1							•Oil Separator		
25	VOE20797542	6							•Screw		
26	VOE20859647	2							•Seal		
27	VOE20412589	1							Filler cap		
28	VOE21145471	13							Flange screw		(VOE21037380)
29	VOE20933362	1							Seal		
30	VOE20405895	1							Plug		
31	VOE13969011	1							Gasket		(VOE20459972)
32	VOE20516927	1							Sealing ring		
33	VOE13947281	1							Gasket		
34	VOE20483764	1							Nipple		

Date: <b>2013/10/29</b>	Image id: <b>1056312</b>	Catalogue: <b>20097</b>	Model: <b>EC210C L</b>
Brand: <b>Volvo</b>	Serial: <b>110001-, 120001-, 140001-</b>	Group/Section: <b>212/100</b>	Title: <b>Cylinder block 8279771,8281232</b>



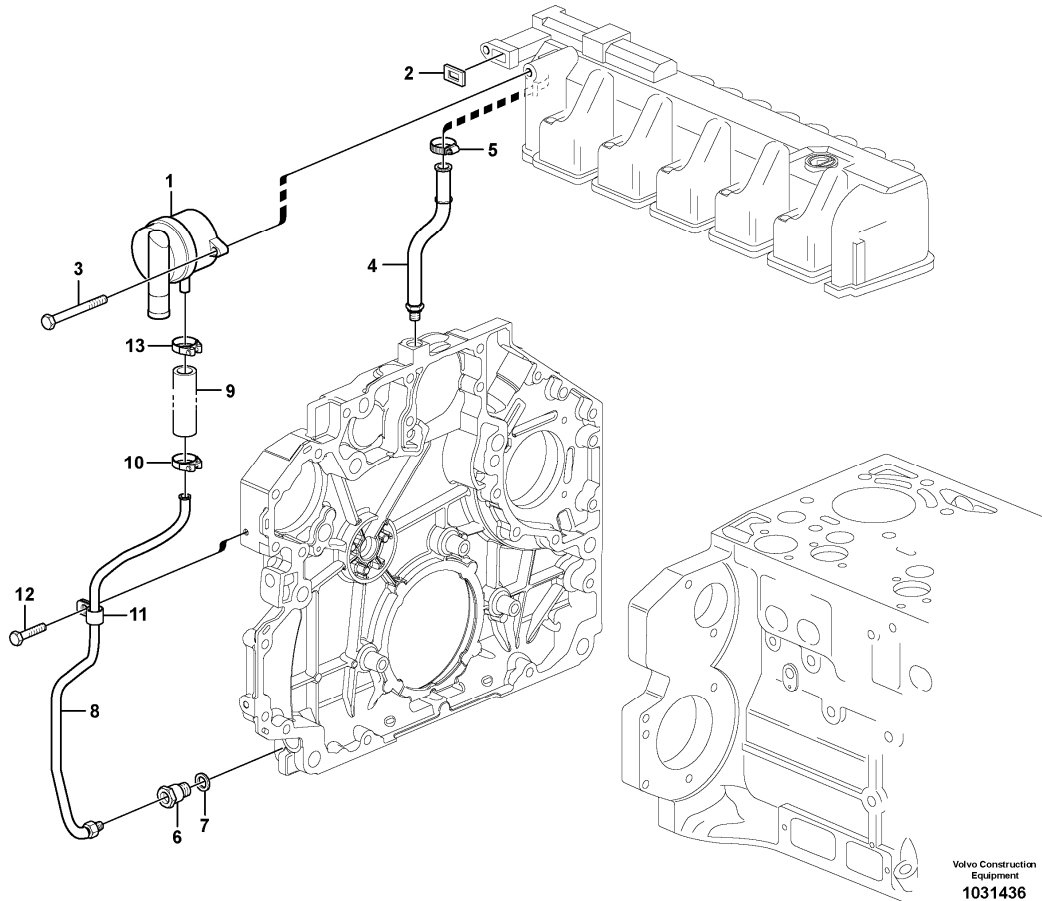
Volvo Construction  
Equipment  
1056312

Section option	Kit	Option description
VOE8279771		Engine with Epa label EMISSION CERTIFICATED FROM EU&EPA
VOE8281232		Engine with Epa label EMISSION CERTIFICATED FROM EU&EPA

Pos	Part	Q1	Q2	Q3	Q4	Q5	PS	Kit	Description	Option(s)	Remark
1	VOE21077566	1							Crankcase		
2	VOE20785813	1							•Plug		
3	VOE20508600	2							•Plug		
4	VOE20412745	5							•Core plug		
5	VOE13969011	2							•Gasket		
6	VOE20405716	2							•Plug		
7	VOE20998904	1							•Plug		
8	VOE20998903	1							•Sealing ring		
9	VOE20459998	1							•Camshaft bushing		
10	VOE20459999	6							•Camshaft bushing		



Date: <b>2013/10/29</b>	Image id: <b>1031436</b>	Catalogue: <b>20097</b>	Model: <b>EC210C L</b>
Brand: <b>Volvo</b>	Serial: <b>110001-, 120001-, 140001-</b>	Group/Section: <b>212/300</b>	Title: <b>Crankcase ventilation 8279771,8281232</b>



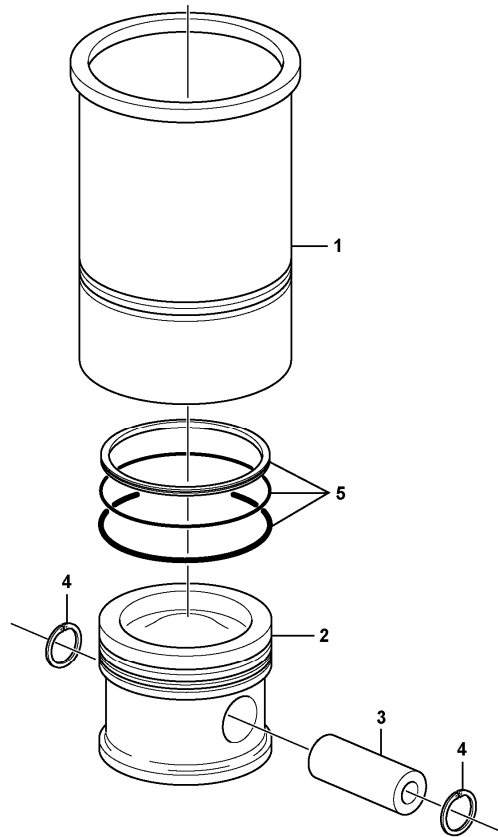
Volvo Construction  
Equipment  
1031436

Section option	Kit	Option description
VOE8279771		Engine with Epa label EMISSION CERTIFICATED FROM EU&EPA
VOE8281232		Engine with Epa label EMISSION CERTIFICATED FROM EU&EPA

Pos	Part	Q1	Q2	Q3	Q4	Q5	PS	Kit	Description	Option(s)	Remark
1	VOE20930510	1							Pressure regulator		
2	VOE21038626	1							•Gasket		
3	VOE20405504	2							Screw		(VOE20792147)
4	VOE20798824	1							Return Line		
5	VOE20799673	1							Hose Clamp		
6	VOE20841133	1							Dtt Regulator		
7	VOE20460026	1							Sealing ring		
8	VOE20840219	1							Oil Return Pipe		
9	VOE20799065	1							•Rubber Sleeve		
10	VOE20405568	1							•Clip		



Date: <b>2013/10/29</b>	Image id: <b>1024633</b>	Catalogue: <b>20097</b>	Model: <b>EC210C L</b>
Brand: <b>Volvo</b>	Serial: <b>110001-, 120001-, 140001-</b>	Group/Section: <b>213/100</b>	Title: <b>Cylinder liner and piston 8279771,8281232</b>

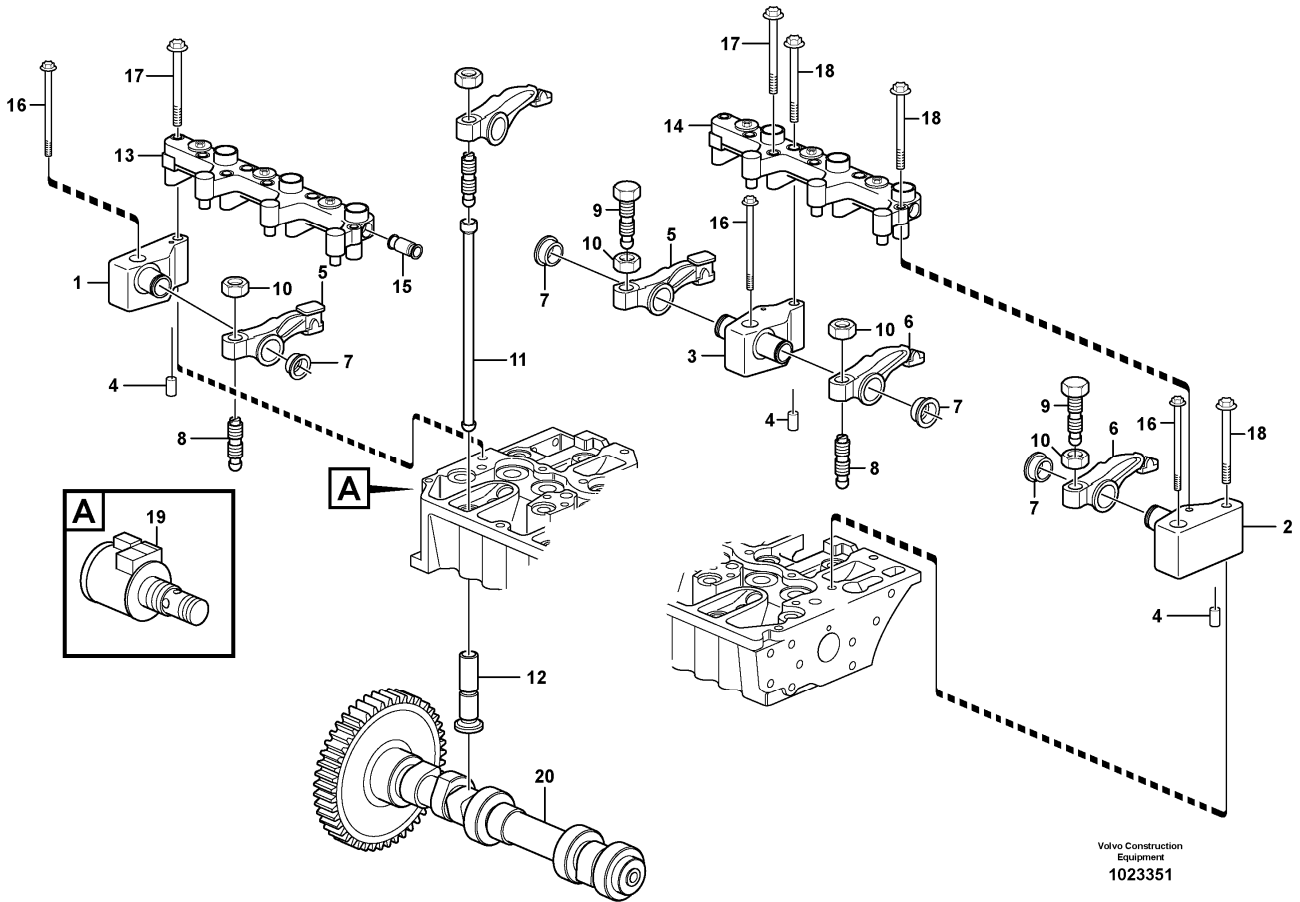


Volvo Construction  
Equipment  
1024633

Section option	Kit	Option description
VOE8279771		Engine with Epa label EMISSION CERTIFICATED FROM EU&EPA
VOE8281232		Engine with Epa label EMISSION CERTIFICATED FROM EU&EPA

Pos	Part	Q1	Q2	Q3	Q4	Q5	PS	Kit	Description	Option(s)	Remark
1	VOE20890422	6							Cyl Liner Kit		
2	VOE20798851	6					NS		•Piston		
3	VOE20798843	6							••Piston Pin		
4	VOE20798020	12							••Lock Ring		
5	VOE20799069	6							••Piston Ring Kit		

Date: <b>2013/10/29</b>	Image id: <b>1023351</b>	Catalogue: <b>20097</b>	Model: <b>EC210C L</b>
Brand: <b>Volvo</b>	Serial: <b>110001-, 120001-, 140001-</b>	Group/Section: <b>214/100</b>	Title: <b>Valve mechanism 8279771,8281232</b>



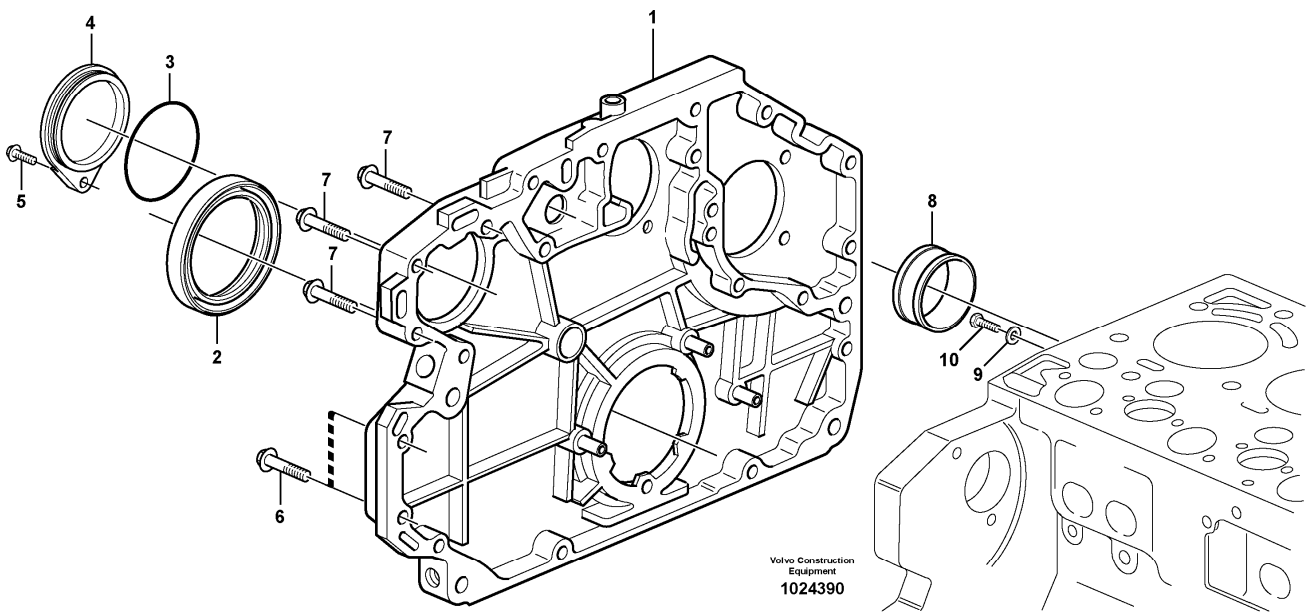
Section option	Kit	Option description
VOE8279771		Engine with Epa label EMISSION CERTIFICATED FROM EU&EPA
VOE8281232		Engine with Epa label EMISSION CERTIFICATED FROM EU&EPA

Pos	Part	Q1	Q2	Q3	Q4	Q5	PS	Kit	Description	Option(s)	Remark
1	VOE20799056	1							Bracket		
2	VOE20799047	1							Bracket		
3	VOE20799053	5							Bracket		
4	VOE20790837	7							Pin		
5	VOE20792878	6							Rocker Arm		
6	VOE21448926	6							Rocker arm		(VOE20792876)
7	VOE20794115	12							Retaining ring		
8	VOE20913851	6							Adjusting Screw		
9	VOE20816389	6							Adjusting Screw		
10	VOE11700373	12							Nut		





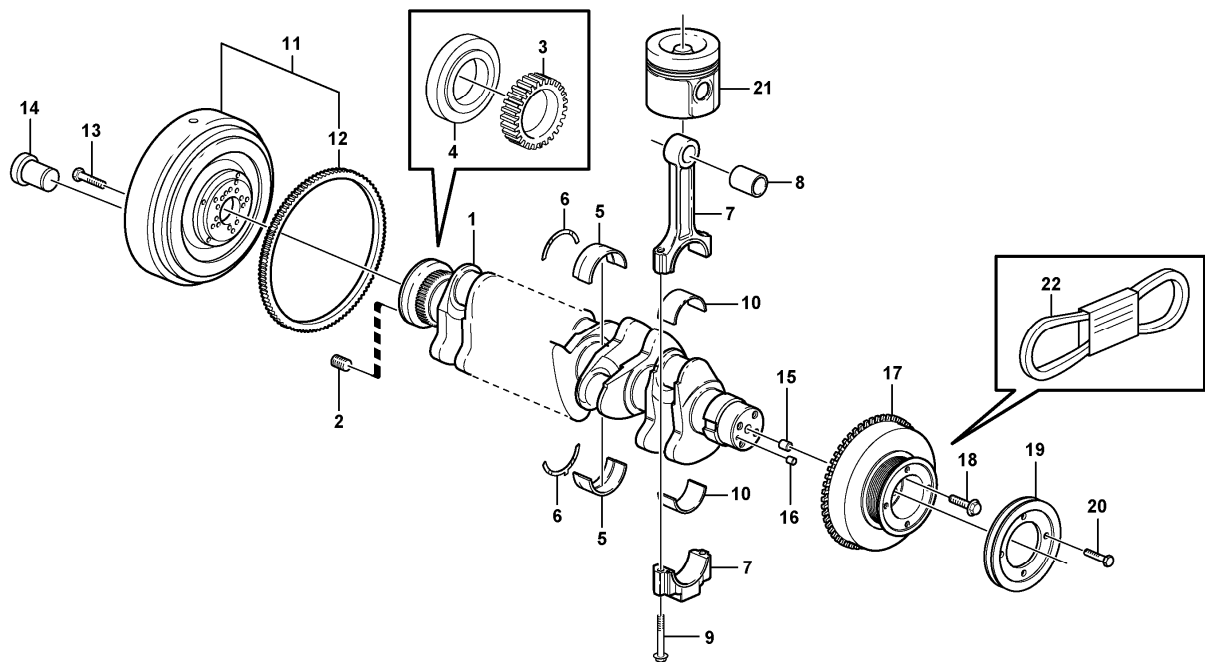
Date: <b>2013/10/29</b>	Image id: <b>1024390</b>	Catalogue: <b>20097</b>	Model: <b>EC210C L</b>
Brand: <b>Volvo</b>	Serial: <b>110001-, 120001-, 140001-</b>	Group/Section: <b>215/100</b>	Title: <b>Timing gear casing 8279771,8281232</b>



Section option	Kit	Option description
VOE14527730		Engine

Pos	Part	Q1	Q2	Q3	Q4	Q5	PS	Kit	Description	Option(s)	Remark
1	VOE20841195	1							Gear Housing		
2	VOE20459115	1							Crankshaft seal		
3	VOE20405652	1							Sealing ring		
4	VOE20950063	1							Cover		
5	VOE20405672	1							Screw		
6	VOE20412324	12							Screw		
7	VOE20450801	3							Screw		
8	VOE20460092	1							Bushing		
9	VOE20460087	1							Washer		
10	VOE20460101	1							Screw		

Date: <b>2013/10/29</b>	Image id: <b>1024600</b>	Catalogue: <b>20097</b>	Model: <b>EC210C L</b>
Brand: <b>Volvo</b>	Serial: <b>110001-, 120001-, 140001-</b>	Group/Section: <b>216/100</b>	Title: <b>Crankshaft and related parts 8279771,8281232</b>



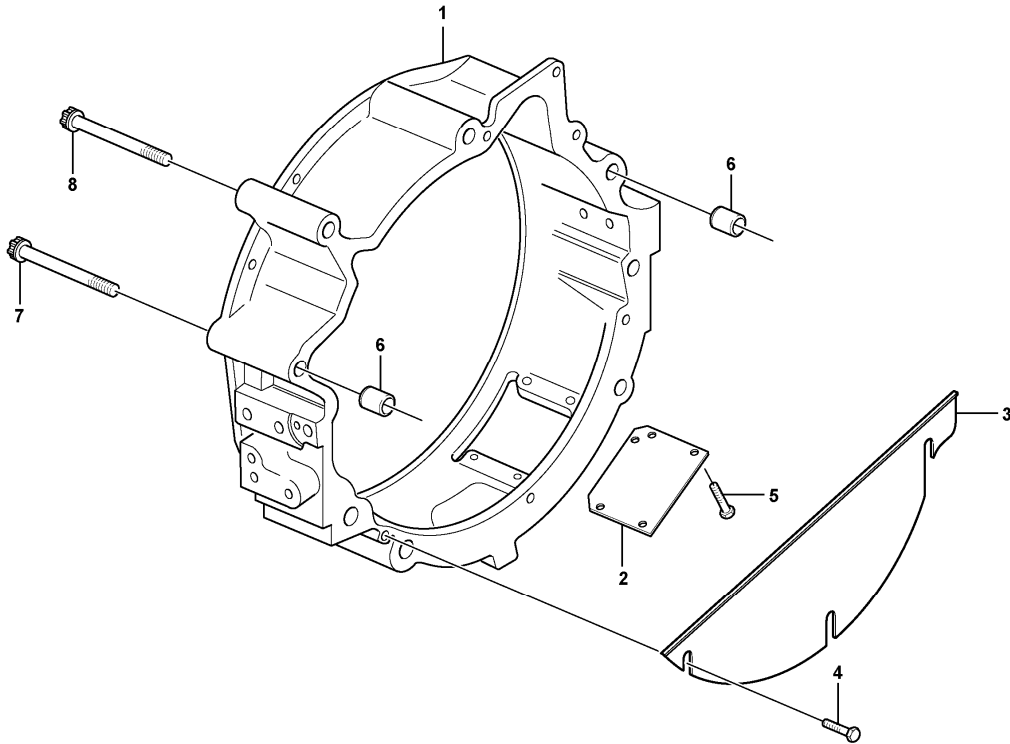
Volvo Construction  
Equipment  
1024600

Section option	Kit	Option description
VOE8279771		Engine with Epa label EMISSION CERTIFICATED FROM EU&EPA
VOE8281232		Engine with Epa label EMISSION CERTIFICATED FROM EU&EPA

Pos	Part	Q1	Q2	Q3	Q4	Q5	PS	Kit	Description	Option(s)	Remark
1	VOE20838068	1							Crankshaft		
2	VOE20459144	10							•Insert		
3	VOE20838102	1							•Gear		
4	VOE20791429	1							•Flywheel companion flange		
5	VOE20850106	7							Main Bearing		STD 84,00 MM
5	VOE20850110	7							Main Bearing		U SZ 83,75 MM
6	VOE20850116	2							Thrust washer		STD 2,15 MM
6	VOE20850122	2							Thrust Washer		O SZ 2,35 MM
7	VOE20851091	6							Connecting rod		

8	VOE20799647	6							•Piston Bearing		
9	VOE20799587	12							•Bolt		
10	VOE20850096	6							Big End Brg Kit		STD 63,00 MM
10	VOE20850097	6							Big End Brg Kit		U SZ 62,75 MM
11	VOE20524696	1							Flywheel		
12	VOE21033328	1							•Gear Ring		
13	VOE20405654	10							Bolt		
14	VOE20405643	5							Plug		
15	VOE20405634	1							Spring pin		
16	VOE20450628	1							Pin		
17	VOE20799122	1							V-belt Pulley		
18	VOE20405724	4							Screw		
19	VOE20459155	1							Pulley		
20	VOE20459156	4							Screw		
21		1							Piston		See ref 213/100
22		1							V-ribbed Belt		See ref 263/100

Date: <b>2013/10/29</b>	Image id: <b>1027113</b>	Catalogue: <b>20097</b>	Model: <b>EC210C L</b>
Brand: <b>Volvo</b>	Serial: <b>110001-, 120001-, 140001-</b>	Group/Section: <b>216/200</b>	Title: <b>Flywheel housing 8279771,8281232</b>

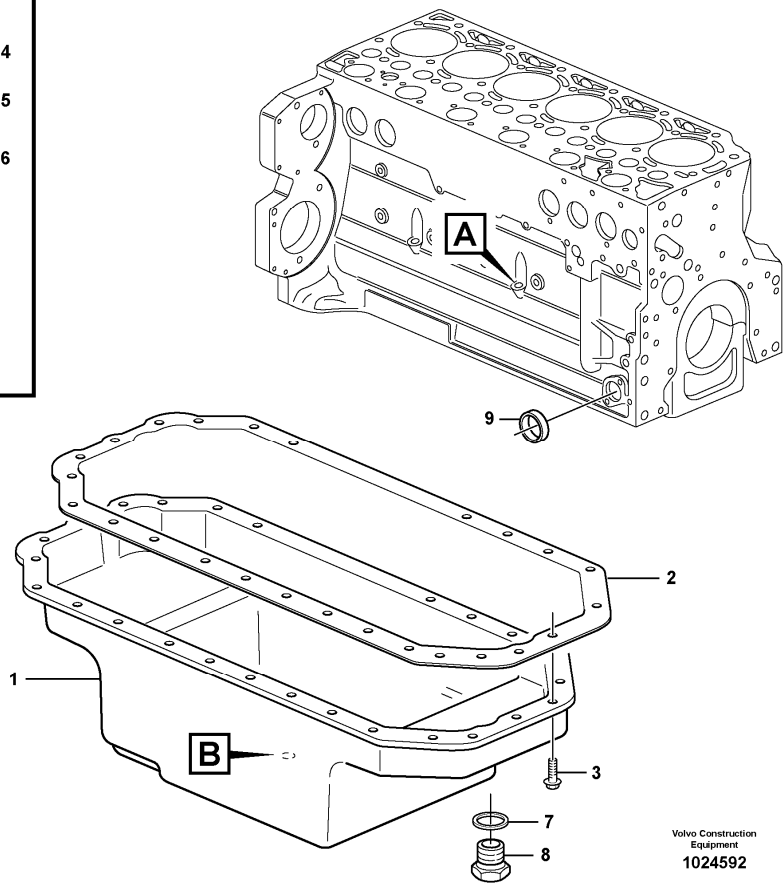
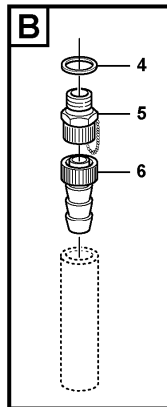
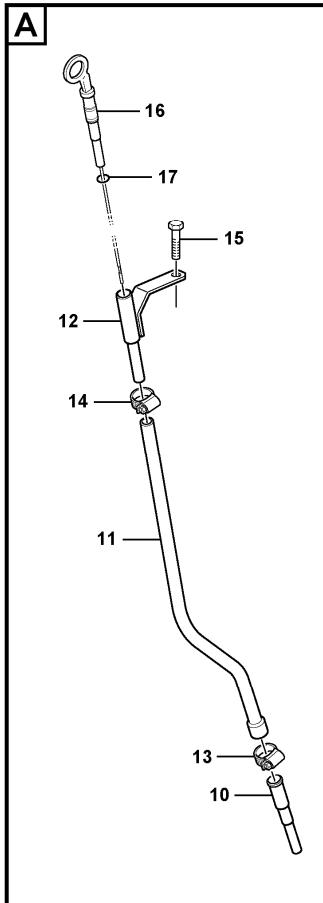


Volvo Construction  
Equipment  
1027113

Section option	Kit	Option description
VOE8279771		Engine with Epa label EMISSION CERTIFICATED FROM EU&EPA
VOE8281232		Engine with Epa label EMISSION CERTIFICATED FROM EU&EPA

Pos	Part	Q1	Q2	Q3	Q4	Q5	PS	Kit	Description	Option(s)	Remark
1	VOE21018780	1							Flywheel Hsg		(VOE21044436)
2	VOE20547288	1							•Cover Plate		
3	VOE20459989	1							•Cover		
4	VOE20405729	3							•Screw		
5	VOE20405729	4							•Screw		
6	VOE20585971	2							Bushing		
7	VOE20459996	2							Screw		
8	VOE20459995	4							Screw		

Date: <b>2013/10/29</b>	Image id: <b>1024592</b>	Catalogue: <b>20097</b>	Model: <b>EC210C L</b>
Brand: <b>Volvo</b>	Serial: <b>110001-, 120001-, 140001-</b>	Group/Section: <b>217/100</b>	Title: <b>Oil sump 8279771,8281232</b>



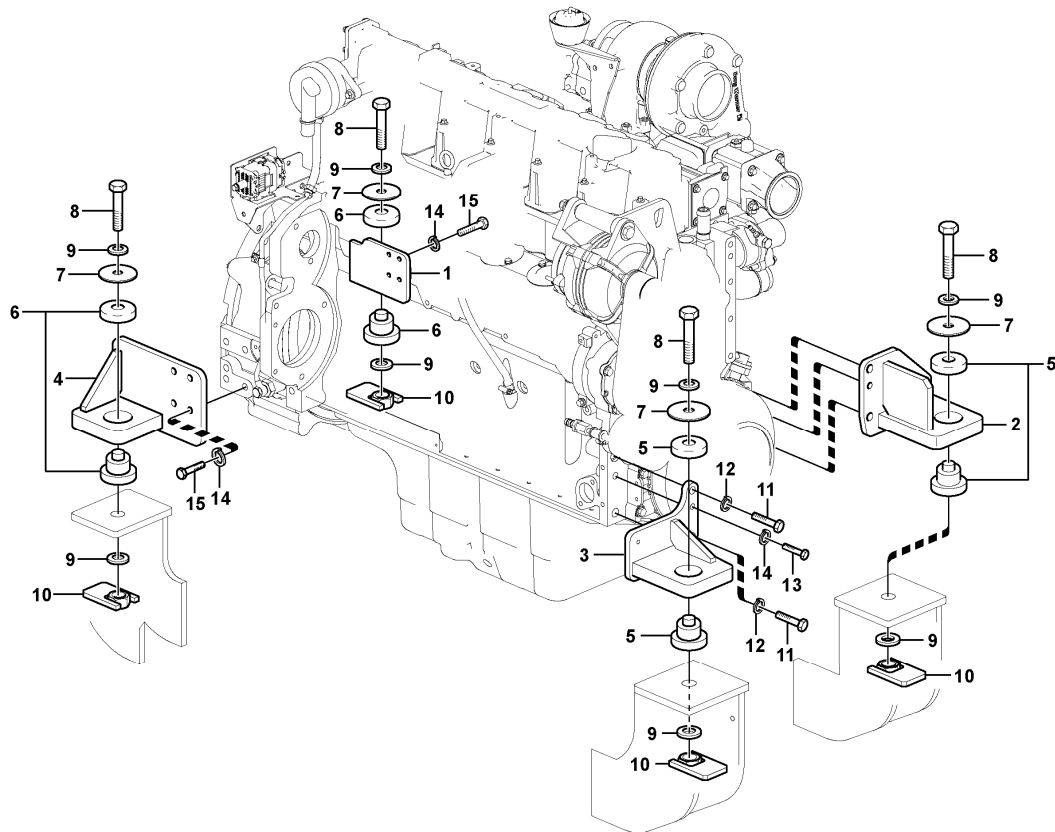
Volvo Construction  
Equipment  
1024592

Section option	Kit	Option description
VOE8279771		Engine with Epa label EMISSION CERTIFICATED FROM EU&EPA
VOE8281232		Engine with Epa label EMISSION CERTIFICATED FROM EU&EPA

Pos	Part	Q1	Q2	Q3	Q4	Q5	PS	Kit	Description	Option(s)	Remark
1	VOE20840491	1							Oil Pan		(VOE21099723)
2	VOE20460022	1							Gasket		
3	VOE20405792	28							Screw		
4	VOE13947624	1							Plane gasket		
5	VOE20450851	1							Drain valve		
6	VOE20478246	1							Hose		
7	VOE20515173	1							Gasket		
8	VOE20515171	1							Plug		
9	VOE20412745	1							Core plug		
10	VOE20459164	1							Guide tube		



Date: <b>2013/10/29</b>	Image id: <b>1022105</b>	Catalogue: <b>20097</b>	Model: <b>EC210C L</b>
Brand: <b>Volvo</b>	Serial: <b>110001-, 120001-, 140001-</b>	Group/Section: <b>218/100</b>	Title: <b>Engine mount</b>



Volvo Construction  
Equipment  
1022105

Section option	Kit	Option description
VOE8281871		Cooling system AKG
VOE8281872		Cooling system MODINE
VOE8281873		Cooling system AKG FOR GERMANY PLANT PRODUCTIONS/N 120001-
VOE8287295		Cooling system ELEVATED CAB

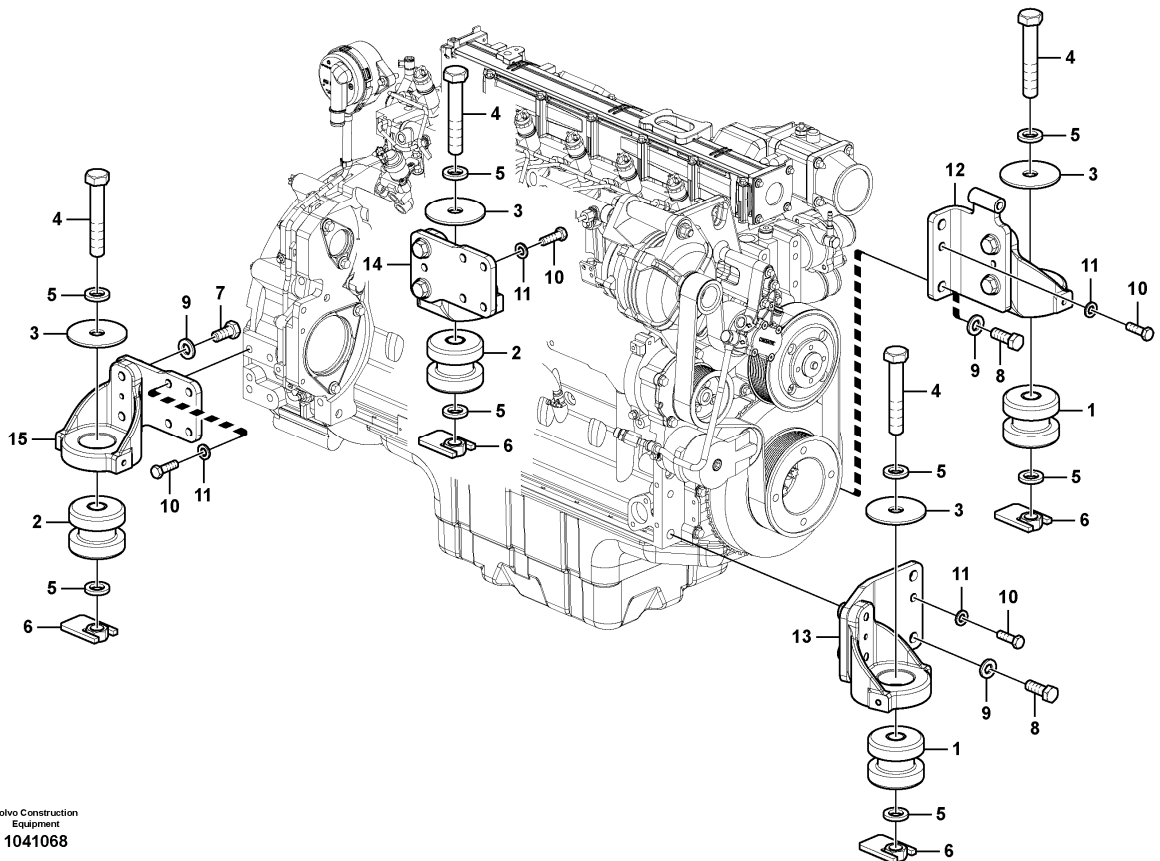
Q1-Q5	Option	Option description	
Q1 8281871	VOE8281871	Cooling system AKG	
Q2 8281872	VOE8281872	Cooling system MODINE	
Q3 8281873	VOE8281873	Cooling system AKG FOR GERMANY PLANT PRODUCTIONS/N 120001-	
Q4 8287295	VOE8287295	Cooling system ELEVATED CAB	

Pos	Part	Q1	Q2	Q3	Q4	Q5	PS	Kit	Description	Option(s)	Remark
1	VOE14532130	1	1	1	1				Bracket		

2	VOE14534246	1	1						Bracket		
	VOE14385610			1	1				Bracket		
3	VOE14535462	1	1						Bracket		
	VOE14557538			1	1				Bracket		
4	VOE14504925	1	1	1	1				Bracket		
5	VOE14526154	2	2	2	2				Cushion		
6	VOE14526155	2	2	2	2				Cushion		
7	VOE14526169	4	4	4	4				Plate		
8	SA9011-22221	4	4	4	4				Hexagon screw		
9	SA9211-22000	8	8	8	8				Washer		
10	VOE14512933	4	4	4	4				Nut		
11	VOE978938	4	4	4	4				Hexagon screw		
12	VOE955926	4	4	4	4				Spring washer		
13	VOE978933	2	2	2	2				Hexagon screw	S/N -111421 -121456	S/N
	VOE993029	2	2	2	2				Hexagon screw	S/N 111422- 121457-	S/N
14	VOE955923	10	10	10	10				Spring washer		
15	SA9011-11207	8	8	8	8				Bolt		



Date: <b>2013/10/29</b>	Image id: <b>1041068</b>	Catalogue: <b>20097</b>	Model: <b>EC210C L</b>
Brand: <b>Volvo</b>	Serial: <b>110001-, 120001-, 140001-</b>	Group/Section: <b>218/150</b>	Title: <b>Engine mounting</b>



Volvo Construction  
Equipment  
1041068

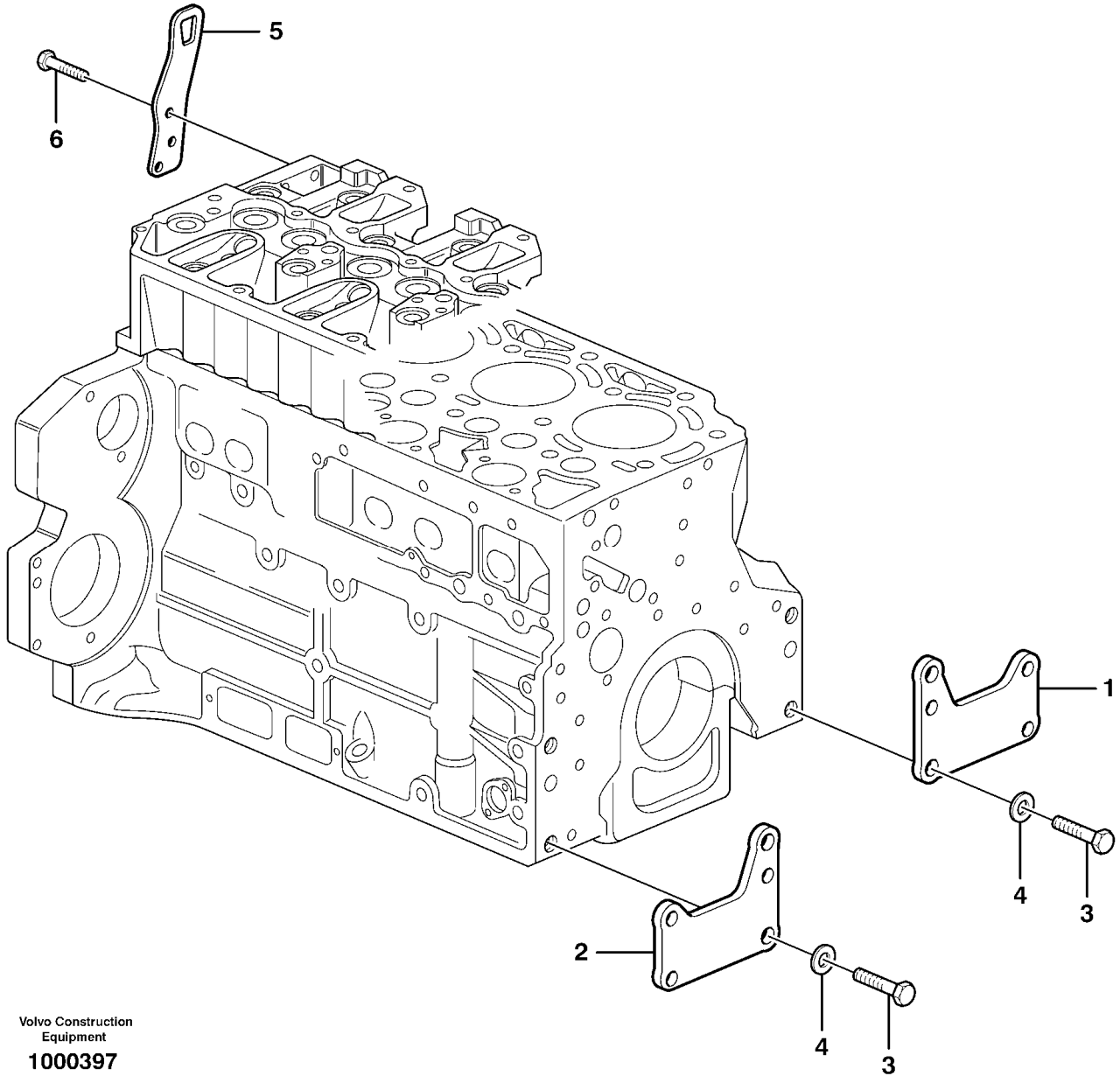
Section option	Kit	Option description
VOE8287295		Cooling system ELEVATED CAB

Q1-Q5	Option	Option description	
Q1 8287295	VOE8287295	Cooling system ELEVATED CAB	

Pos	Part	Q1	Q2	Q3	Q4	Q5	PS	Kit	Description	Option(s)	Remark
1	VOE14526154	2							Cushion		
2	VOE14526155	2							Cushion		
3	VOE14526169	4							Plate		
4	VOE992992	4							Screw		
5	SA9211-22000	8							Washer		
6	VOE14512933	4							Nut		
7	VOE978936	2							Hexagon screw		
8	VOE978937	4							Hexagon screw		



Date: <b>2013/10/29</b>	Image id: <b>1000397</b>	Catalogue: <b>20097</b>	Model: <b>EC210C L</b>
Brand: <b>Volvo</b>	Serial: <b>110001-, 120001-, 140001-</b>	Group/Section: <b>218/200</b>	Title: <b>Engine mounting 8279771,8281232</b>



Section option	Kit	Option description
VOE8279771		Engine with Epa label EMISSION CERTIFICATED FROM EU&EPA
VOE8281232		Engine with Epa label EMISSION CERTIFICATED FROM EU&EPA

Pos	Part	Q1	Q2	Q3	Q4	Q5	PS	Kit	Description	Option(s)	Remark
1	VOE20723978	1							Bracket		
2	VOE20723984	1							Bracket		



Thank you so much for reading.  
Please click the “Buy Now!”  
button below to download the  
complete manual.



After you pay.

You can download the most  
perfect and complete manual in  
the world immediately.

Our support email:

[ebooklibonline@outlook.com](mailto:ebooklibonline@outlook.com)