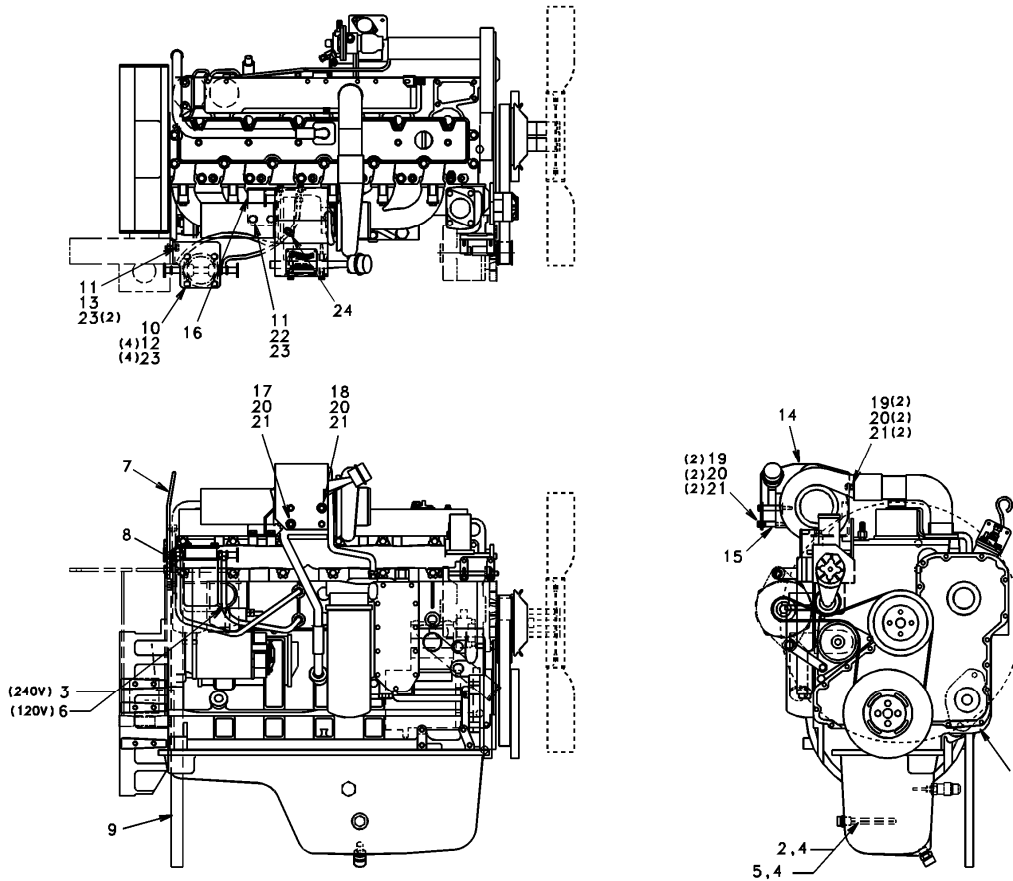


Date: 2013/11/16	Image id: 1005747	Catalogue: 56118	Model: EC240
Brand: Volvo	Serial: 3001-9999	Group/Section: 210/100	Title: Engine



Volvo Construction
Equipment
1005747

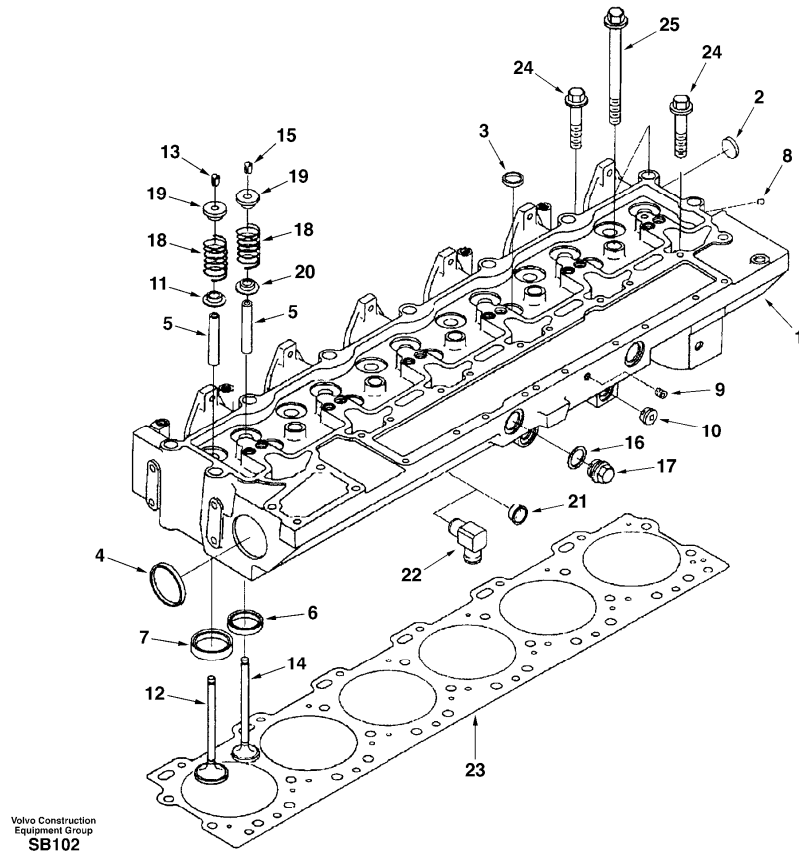
Section option	Kit	Option description
SADE04B001		Without air pre-heater for engine
SADE04B002		Air heater for engine
SADE04C001		Engine block heater 120V
SADE04C002		Engine block heater 240V
SADE11A002		Anti-slip treads without Engine room maintenance

Q1-Q5	Option	Option description	
Q1 DE04B001	SADE04B001	Without air pre-heater for engine	
Q2 DE04B002	SADE04B002	Air heater for engine	
Q3 DE04C001	SADE04C001	Engine block heater 120V	
Q4 DE04C002	SADE04C002	Engine block heater 240V	
Q5 DE11A002	SADE11A002	Anti-slip treads without Engine room maintenance	

Pos	Part	Q1	Q2	Q3	Q4	Q5	PS	Kit	Description	Option(s)	Remark
1	SA1111-00302	1							Engine		TROPICAL

	SA1111-00052		1					Engine		STANDARD
2	SA2011-00450				1			Heater		240V
3	SA2011-00510				1			Heater		
4	SA9426-20080			1	1			Gasket		
5	SA2011-00460			1				Heater		120V
6	SA2011-00520			1				Heater		
7	SA1111-00561		1					Bracket		
8	SA9312-10175	1	1					Clamp		
9	SA9952-26020	1	1					Hose		
10	SA1111-00171	1	1					Bracket		SER NO 3001-3410
	SA14507205	1	1				NS	Bracket		SER NO 3411-
11	SA9011-11004	1	1			2	SS	Bolt		
12	SA9081-11607	4	4					Bolt		SER NO 3001-3324
13	SA9011-11006	1	1				SS	Bolt		
14	SA1111-00360					1		Screen		
15	SA1111-00370					1		Bracket		
16	SA1111-00381					1		Bracket		
17	SA9011-20815					1		Bolt		
18	SA9011-20811					1		Bolt		
19	SA9011-10803					4	SS	Bolt		
20	SA9211-08000	6						Washer		SER NO 3001-3324
	SA9211-08000					4		Washer		SER NO 3001-
21	SA9213-08000					6	SS	Washer		
22	SA9211-10000					2		Washer		
23	SA9213-10000	2					SS	Spring Washer		SER NO 3325-
	SA9213-10000		8				SS	Spring Washer		SER NO 3001-3324
	SA9213-10000		2				SS	Spring Washer		SER NO 3325-
	SA9213-10000					2	SS	Spring Washer		
24	SA9314-02100	2	2					Strip Clamp		SER NO 3325-

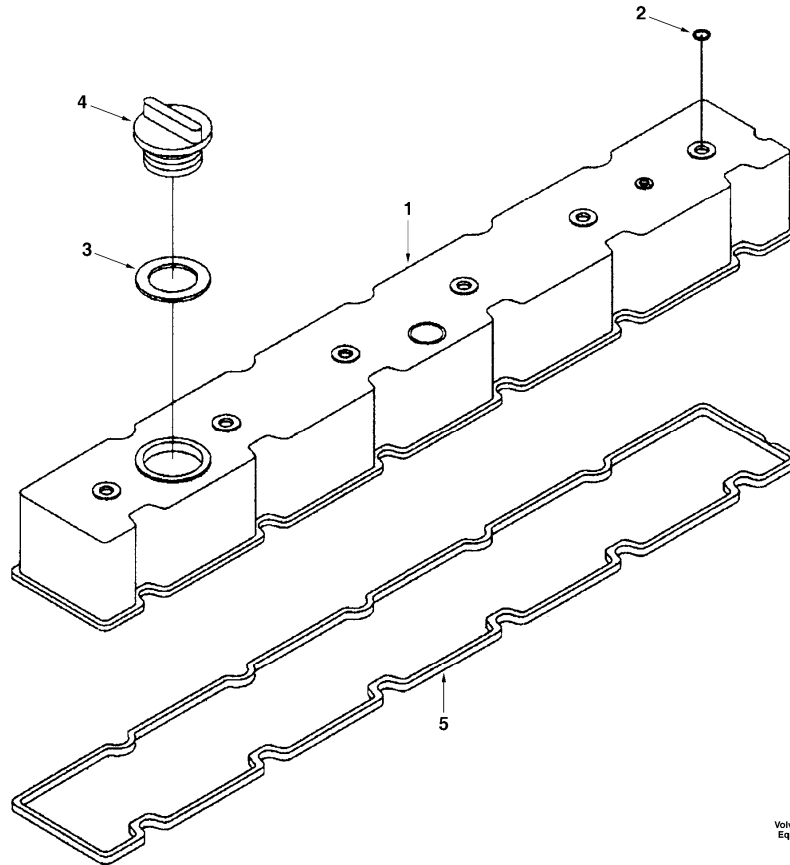
Date: 2013/11/16	Image id: SB102	Catalogue: 56118	Model: EC240
Brand: Volvo	Serial: 3001-9999	Group/Section: 211/100	Title: Cylinder head



Pos	Part	Q1	Q2	Q3	Q4	Q5	PS	Kit	Description	Option(s)	Remark
1	SA3802465	1							Head		
2	SA3920443	1							•Plug		
3	SA3032693	5							•Plug		
4	SA3922072	2							•Plug		
5	SA3925863	12							•Guide		
6	SA3928174	6							•Valve		EXHAUST
7	SA3924582	6							•Insert		INLET
8	SA3008464	1							•Plug		
9	SA3008466	1							•Plug		
10	SA3008468	1							•Tube plug		
11	SA3915707	6							•Sealing		INLET
12	SA3802463	6							•Valve		
	SA3924492	6					SS		••Valve		
13	SA3901177	12							••Collet		
14	SA3802085	6							•Valve		

	SA3921444	6					SS		••Valve		
15	SA3901177	12							••Collet		
16	SA3902425	2							•Washer		
17	SA3924148	2							•Plug		
18	SA3906412	12							•Spring		INLET,EXHAUST
19	SA3912976	12							•Retainer		
20	SA3919038	6							•Sealing		
21	SA3912900	1							•Plug		
22	SA3924138	1							•Clutch		
23	SA3931019	1							Gasket		
	SA3928180	1							Gasket		0.25MM OS
	SA3928181	1							Gasket		0.50MM OS
24	SA3917729	12							Cylinder bolt		
25	SA3917728	14							Bolt		

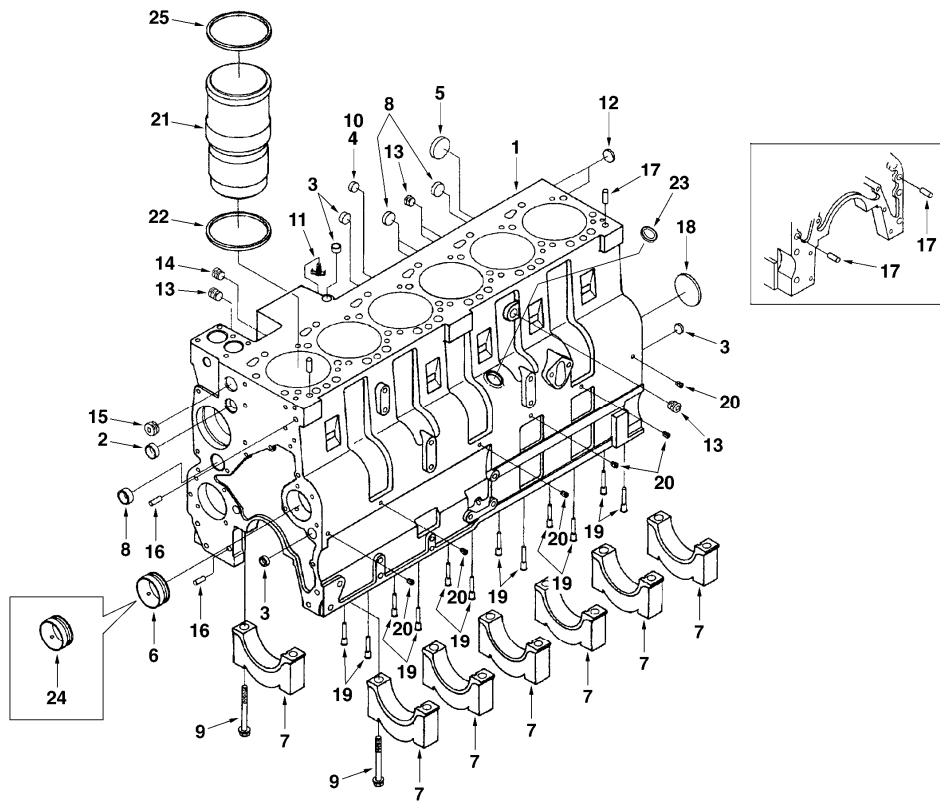
Date: 2013/11/16	Image id: SB103	Catalogue: 56118	Model: EC240
Brand: Volvo	Serial: 3001-9999	Group/Section: 211/200	Title: Valve cover



Volvo Construction
Equipment Group
SB103

Pos	Part	Q1	Q2	Q3	Q4	Q5	PS	Kit	Description	Option(s)	Remark
1	SA3927907	1					SS		Cover		
2	SA3282133	6					SS		O-ring		
3	SA3902466	1							Sealing		
4	SA3902468	1							Filler cap		
5	VOE11716080	1							Sealing		(SA3905449)

Date: 2013/11/16	Image id: SB104	Catalogue: 56118	Model: EC240
Brand: Volvo	Serial: 3001-9999	Group/Section: 212/100	Title: Cylinder block

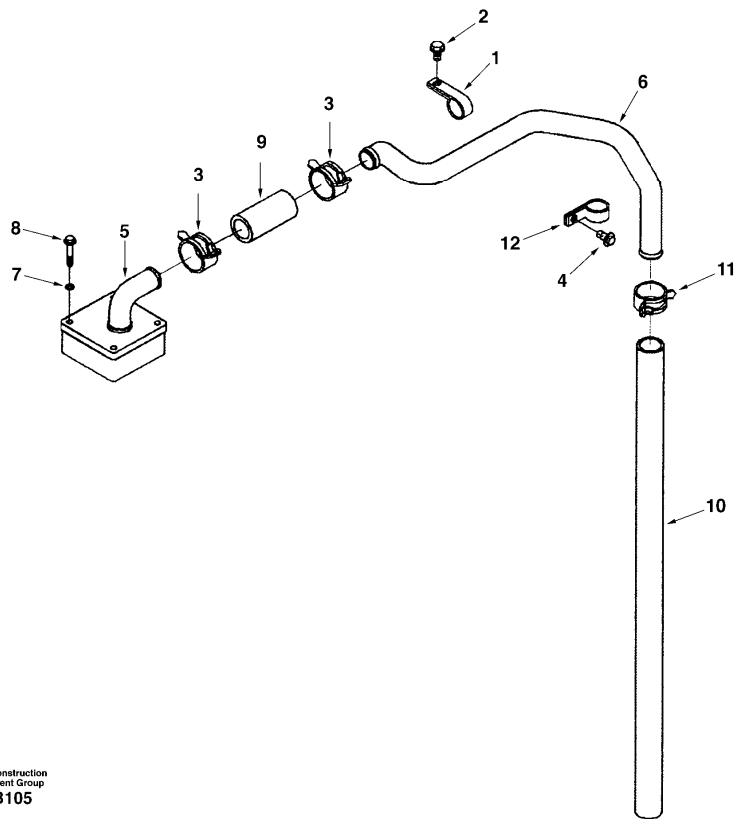


Volvo Construction
Equipment Group
SB104

Pos	Part	Q1	Q2	Q3	Q4	Q5	PS	Kit	Description	Option(s)	Remark
1	SA3802408	1							Block		
2	SA143066	1							•Plug		
3	SA3004258	4							•Plug		
4	SA156075	2							•Plug		
5	SA3900965	1					SS		•Plug		
6	SA3901685	7							•Bushing		
7	SA3917313	7							•Cap		
8	SA3905401	4							•Plug		
9	SA3916369	14							•Screw		
10	SA3802367	1							•Kit		SET-HARDWARE
	SA3812090	1					SS		••Plug		
11	SAS923E	1							••Shut-off Cock		
12	SA3920706	2							••Plug		
13	SA3008468	4							••Plug		
14	SA3008469	2							••Plug		

15	SA3008470	1							••Plug		
16	SA3900257	2							••Locating pin		
17	SA3901846	4							••Locating pin		
18	SA3901969	1							••Plug		
19	SA3919003	12					SS		••Nozzle		
20	SA3906619	6							••Plug		
21	SA3802407	6						K	Liner		
22	SA3907177	1					SS		•Seal		
23	SA3905401	1							Plug		
24	SA3908280	REQ							Bushing		OS CAMSHAFT
25	SA3914653	REQ							Shim		0.25MM OS
	SA3914654	REQ					SS		Shim		0.38MM OS
	SA3914655	REQ							Shim		0.50MM OS
100	SA3802403	6							Cylinder		CYLINDER KIT

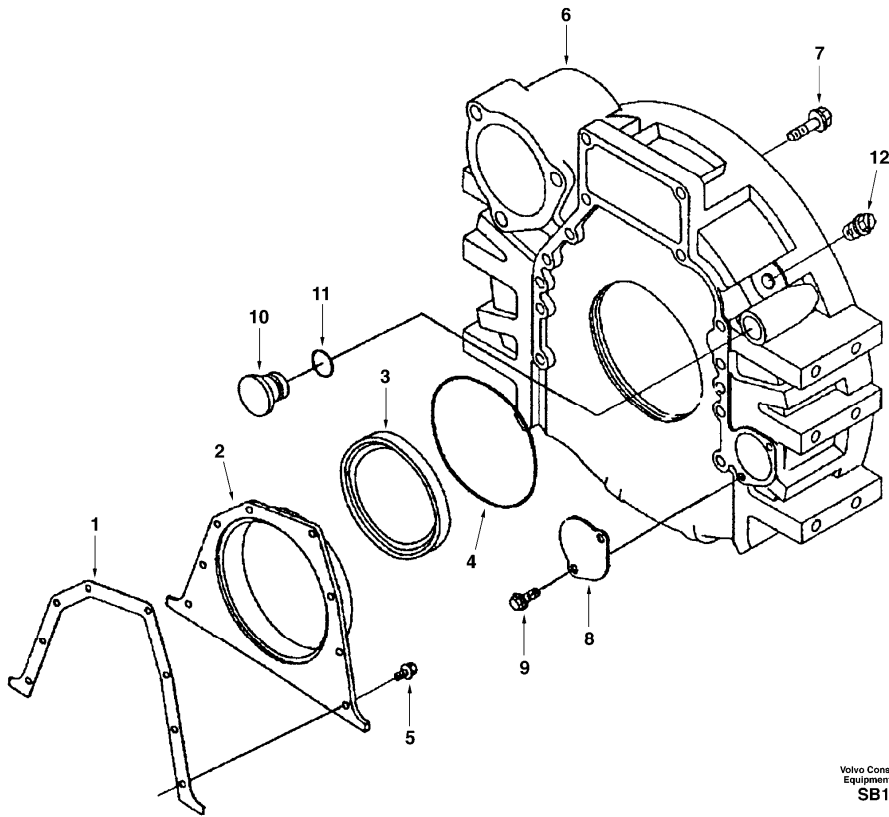
Date: 2013/11/16	Image id: SB105	Catalogue: 56118	Model: EC240
Brand: Volvo	Serial: 3001-9999	Group/Section: 212/200	Title: Crankcase ventilation



Volvo Construction
Equipment Group
SB105

Pos	Part	Q1	Q2	Q3	Q4	Q5	PS	Kit	Description	Option(s)	Remark
1	SA3018309	1							Clip		
2	SA3912072	1							Screw		
3	SA3925089	2							Clamp		
4	SA3901249	1							Screw		
5	SA3928772	1							Breather		
6	SA3930255	1							Pipe		
7	SA3930247	4							Washer		
8	SA3930248	4							Screw		
9	SA3930309	1							Hose		
10	SA9952-26019	1							Hose		
11	SA9312-00010	1							Clamp		
12	SA107460	1							Clip		

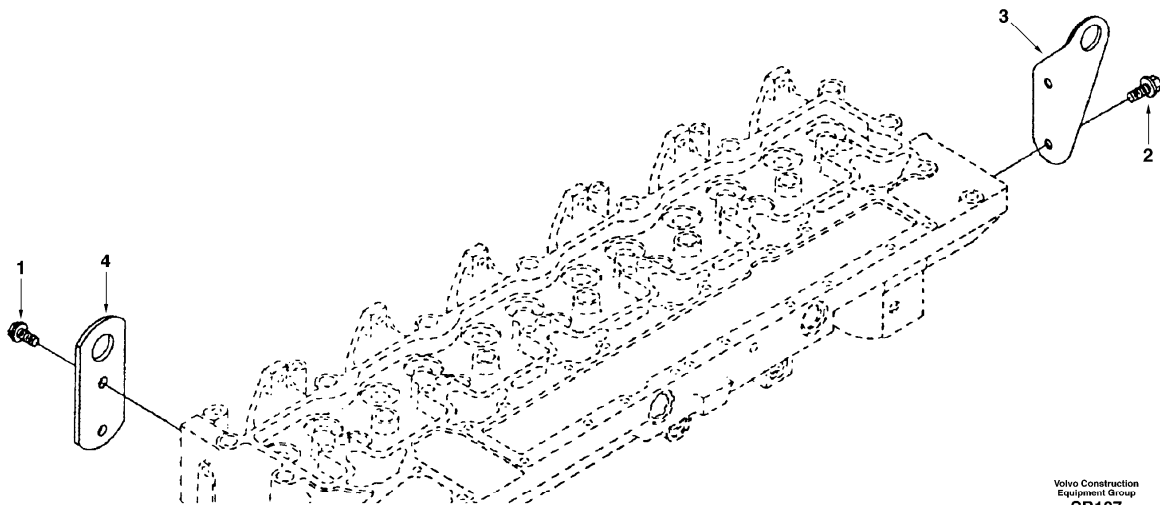
Date: 2013/11/16	Image id: SB106	Catalogue: 56118	Model: EC240
Brand: Volvo	Serial: 3001-9999	Group/Section: 212/300	Title: Flywheel housing



Volvo Construction
Equipment Group
SB106

Pos	Part	Q1	Q2	Q3	Q4	Q5	PS	Kit	Description	Option(s)	Remark
1	VOE11716094	1							Gasket		(SA3914301)
2	SA3921042	1					SS		Cover		
3	SA3926126	1							Seal		
4	SA3912473	1					SS		Seal		
5	SA3913638	8							Screw		
6	SA3908799	1							Flywheel Hsg		
7	SA3920447	12							Screw		
8	SA3925234	1							Plate		
9	SA3912072	2							Screw		
10	SA3910248	1							Plug		
11	SA3910260	1							Seal		
12	SA3904181	1							Plug		

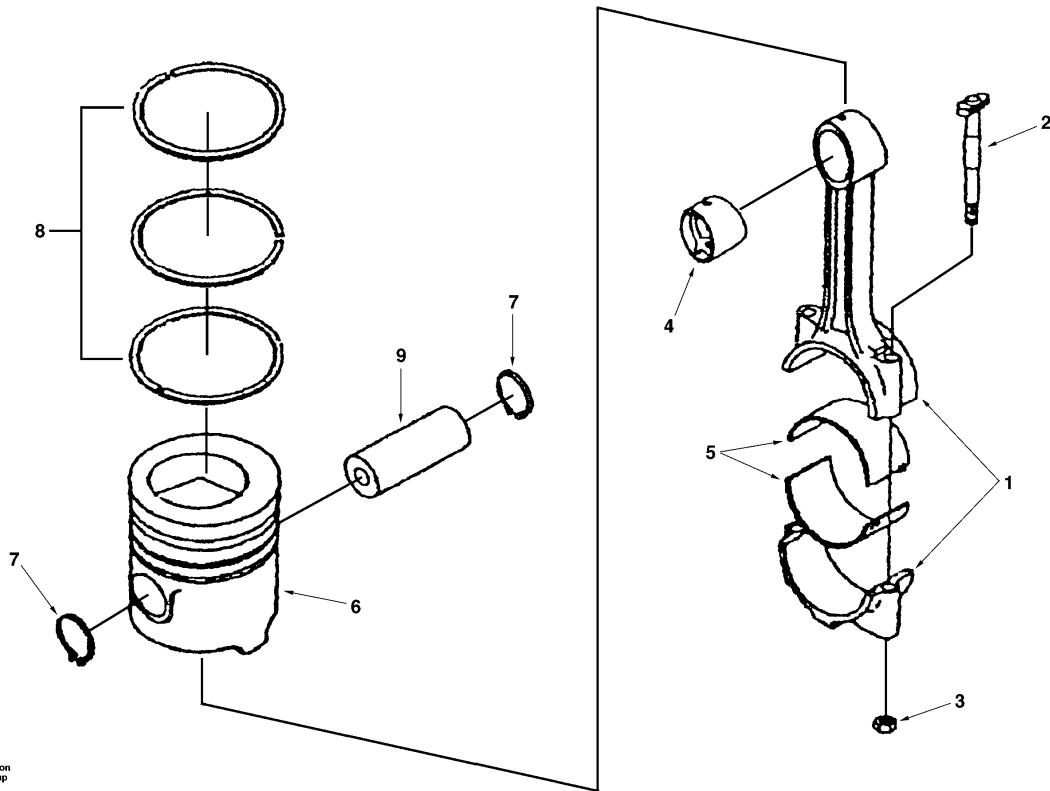
Date: 2013/11/16	Image id: SB107	Catalogue: 56118	Model: EC240
Brand: Volvo	Serial: 3001-9999	Group/Section: 212/500	Title: Lifting eye



Volvo Construction
Equipment Group
SB107

Pos	Part	Q1	Q2	Q3	Q4	Q5	PS	Kit	Description	Option(s)	Remark
1	SA3901249	2							Screw		
2	SA3903200	2							Screw		
3	SA1111-00561	1							Bracket		
4	SA3907861	1							Bracket		

Date: 2013/11/16	Image id: SB108	Catalogue: 56118	Model: EC240
Brand: Volvo	Serial: 3001-9999	Group/Section: 213/100	Title: Connecting rod and piston

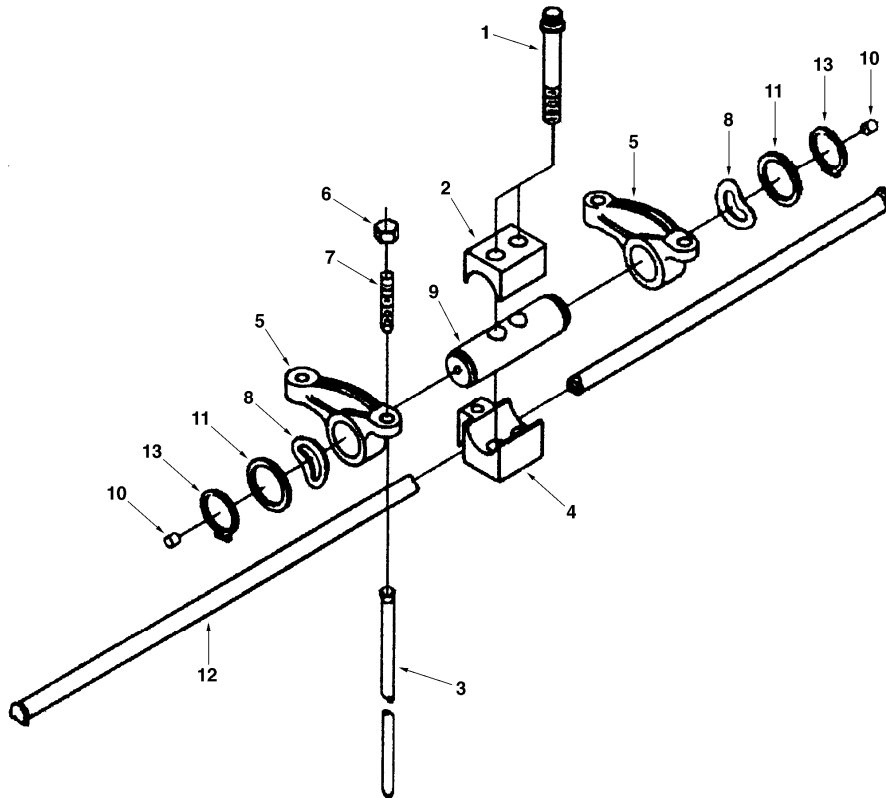


Volvo Construction
Equipment Group
SB108

Pos	Part	Q1	Q2	Q3	Q4	Q5	PS	Kit	Description	Option(s)	Remark
1	SA3901383	6							Connecting Rod		
	SA3924350	1					SS		•Connecting Rod		
2	SA3928870	2							•Bolt		
3	SA3901381	2					SS		•Nut		
4	SA3913990	1							•Bushing		
5	SA3901430	12							Bearing		STANDARD
	SA3901431	REQ							Bearing		0.010INCH OS
	SA3901432	REQ							Bearing		0.020INCH OS
	SA3901433	REQ							Bearing		0.030INCH OS
	SA3901434	REQ							Bearing		0.040INCH OS
6	SA3802397	6						K	Piston		
	SA3923163	1					OP		•Piston		
7	SA3901996	2							•Ring		
8	SA3802429	1							•Ring		STANDARD
9	SA3901597	6							Pin		

100	SA3802403	6							Cylinder		CYLINDER KIT
-----	-----------	---	--	--	--	--	--	--	----------	--	--------------

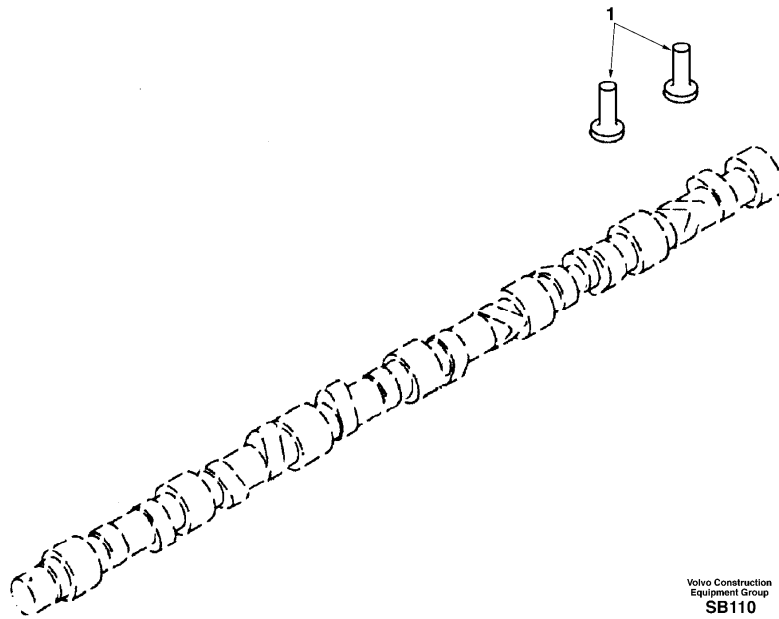
Date: 2013/11/16	Image id: SB109	Catalogue: 56118	Model: EC240
Brand: Volvo	Serial: 3001-9999	Group/Section: 214/200	Title: Rocker arm



Volvo Construction
Equipment Group
SB109

Pos	Part	Q1	Q2	Q3	Q4	Q5	PS	Kit	Description	Option(s)	Remark
1	SA3901617	12							Screw		
2	SA3901693	6							Clamp		
3	SA3905194	12							Rod		
4	SA3905870	6							Support		
5	SA3901717	12							Lever		
6	SA3927692	1							•Nut		
7	SA3934086	1							•Screw		
8	SA3906100	12							Washer		
9	SA3919435	6							Shaft		
10	SA3919434	2							•Rivet		
11	SA3907206	12							Washer		
12	SA3919677	1							Manifold		
13	SA3901764	12							Ring		

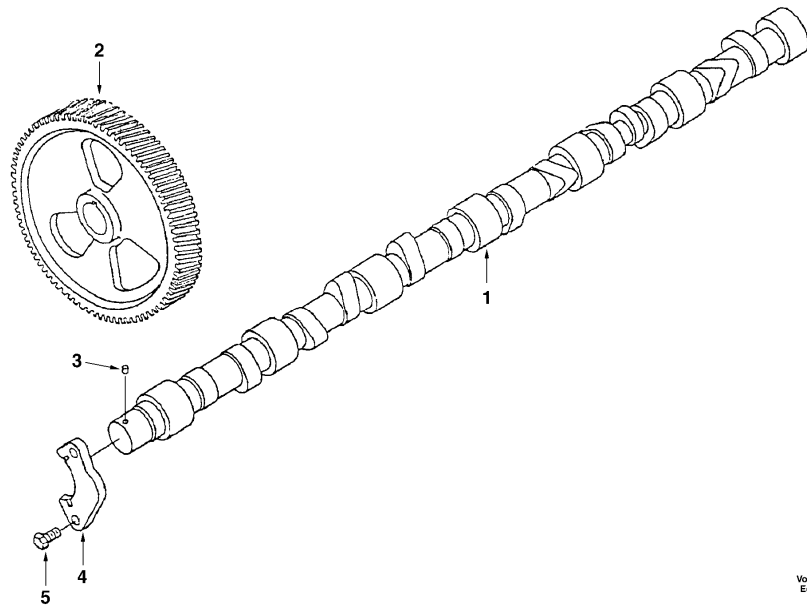
Date: 2013/11/16	Image id: SB110	Catalogue: 56118	Model: EC240
Brand: Volvo	Serial: 3001-9999	Group/Section: 214/300	Title: Valve tappet



Volvo Construction
Equipment Group
SB110

Pos	Part	Q1	Q2	Q3	Q4	Q5	PS	Kit	Description	Option(s)	Remark
1	SA3931623	12							Tappet		

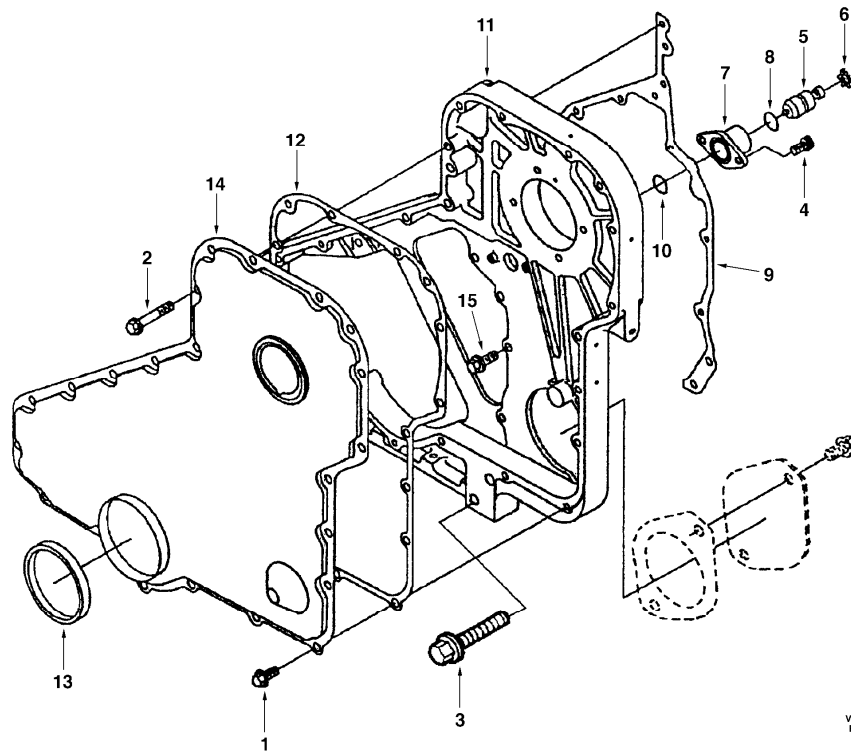
Date: 2013/11/16	Image id: SB111	Catalogue: 56118	Model: EC240
Brand: Volvo	Serial: 3001-9999	Group/Section: 215/100	Title: Camshaft



Volvo Construction
Equipment Group
SB111

Pos	Part	Q1	Q2	Q3	Q4	Q5	PS	Kit	Description	Option(s)	Remark
1	SA3924471	1							Camshaft		
2	SA3918777	1							Gear		
3	SA3902332	1							Key		
4	SA3927155	1							Support		
5	SA3900227	2							Screw		

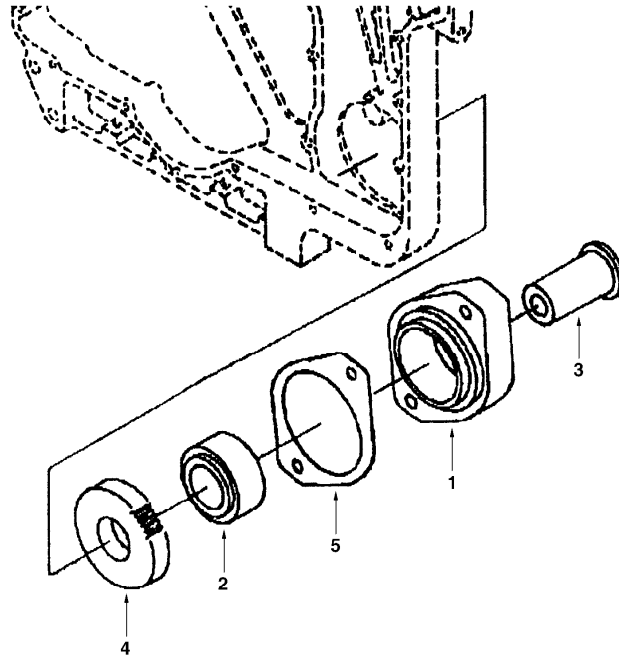
Date: 2013/11/16	Image id: SB112	Catalogue: 56118	Model: EC240
Brand: Volvo	Serial: 3001-9999	Group/Section: 215/200	Title: Timing gear casing



Volvo Construction
Equipment Group
SB112

Pos	Part	Q1	Q2	Q3	Q4	Q5	PS	Kit	Description	Option(s)	Remark
1	SA3900629	16							Screw		
2	SA3900633	6							Screw		
3	SA3902116	4							Screw		
4	SA3907998	2							Screw		
5	SA3903924	1							Pin		
6	SA3904849	1							Ring		
7	SA3905933	1					SS		Cover		
8	SA3913994	1							Seal		
9	SA3914303	1					SS		Gasket		
10	SA3915772	1					SS		Seal		
11	SA3914945	1					SS		Housing		
12	VOE11716098	1							Gasket		(SA3917780)
13	SA3353977	1							Seal		
14	SA3916193	1					SS		Cover		
15	SA3900630	5							Screw		

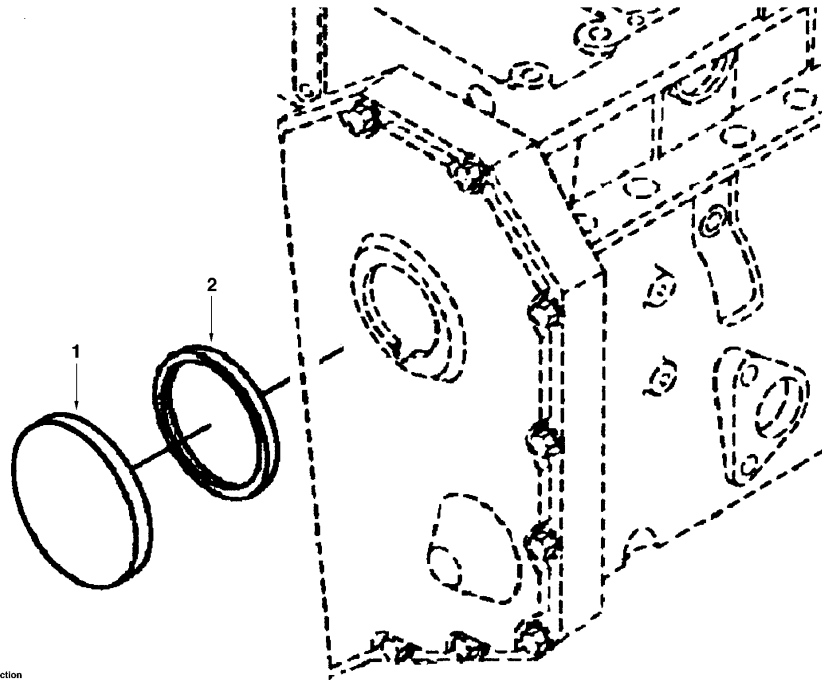
Date: 2013/11/16	Image id: SB113A	Catalogue: 56118	Model: EC240
Brand: Volvo	Serial: 3001-9999	Group/Section: 215/300	Title: Pump drive power take-off



Volvo Construction
Equipment Group
SB113A

Pos	Part	Q1	Q2	Q3	Q4	Q5	PS	Kit	Description	Option(s)	Remark
1	SA3924882	1							Drive Unit		
	SA3931088	1					SS		•Adapter		
2	SA3902601	1							•Roller bearing		
3	SA3923242	1							•Shaft		
4	SA3902595	1							•Gear		
5	SA3913287	1							Gasket		

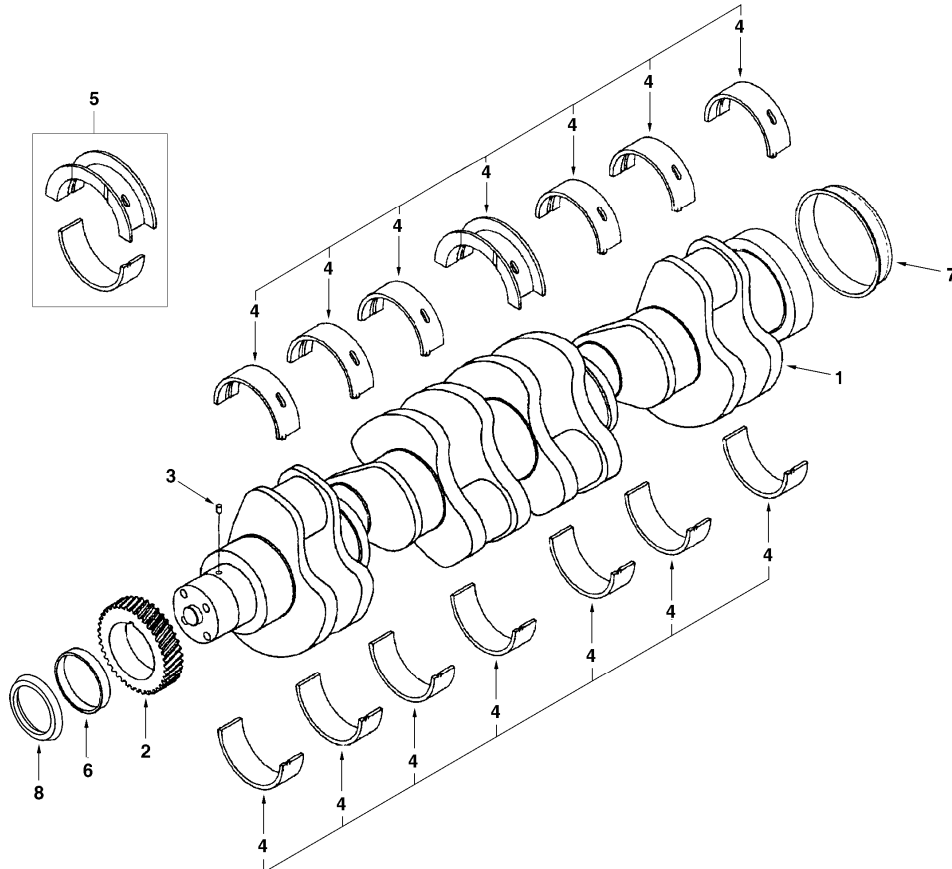
Date: 2013/11/16	Image id: SB115	Catalogue: 56118	Model: EC240
Brand: Volvo	Serial: 3001-9999	Group/Section: 215/500	Title: Tachometer drive cover



Volvo Construction
Equipment Group
SB115

Pos	Part	Q1	Q2	Q3	Q4	Q5	PS	Kit	Description	Option(s)	Remark
1	SA3903463	1							Cover		
2	SA3903475	1					SS		Seal		

Date: 2013/11/16	Image id: 1005837	Catalogue: 56118	Model: EC240
Brand: Volvo	Serial: 3001-9999	Group/Section: 216/100	Title: Crankshaft



Volvo Construction
Equipment
1005837

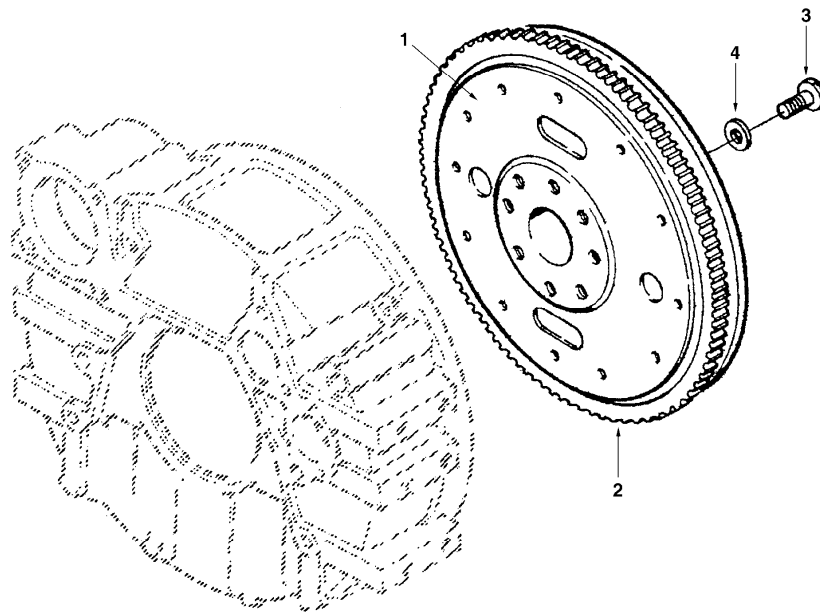
Section option	Kit	Option description
SADE04B001		Without air pre-heater for engine
SADE04B002		Air heater for engine

Q1-Q5	Option	Option description	
Q1 DE04B001	SADE04B001	Without air pre-heater for engine	
Q2 DE04B002	SADE04B002	Air heater for engine	

Pos	Part	Q1	Q2	Q3	Q4	Q5	PS	Kit	Description	Option(s)	Remark
1	SA3918986	1	1						Crankshaft		
2	SA3918776	1	1						•Gear		
3	SA3904483	1	1						•Locating pin		
4	SA3802210	1	1				SS		Bearing		STANDARD
	SA3802211	1	1						Bearing		
	SA3802212	1	1						Bearing		
	SA3802213	1	1						Bearing		

	SA3802214	1	1					Bearing		
	SA3916844	1	1				SS	Bearing		
5	SA3921544	1	1					Bearing		
	SA3921545	1	1					Bearing		
	SA3921546	1	1					Bearing		
6	SA3920408	1	1				SS	Sleeve		
7	SA3906081	1	1				SS	Sleeve		
8	SA3918113	1	1				SS	Seal		

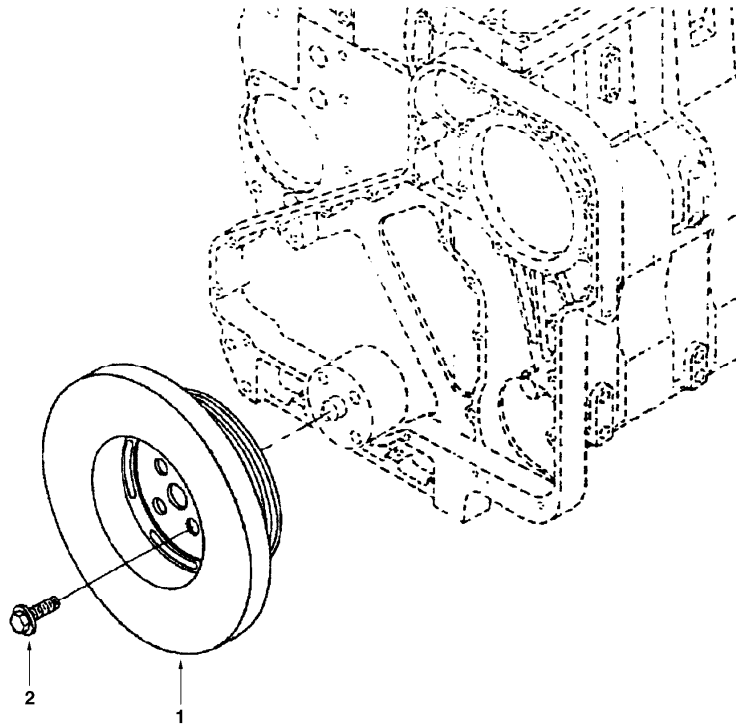
Date: 2013/11/16	Image id: SB117	Catalogue: 56118	Model: EC240
Brand: Volvo	Serial: 3001-9999	Group/Section: 216/200	Title: Flywheel



Volvo Construction
Equipment Group
SB117

Pos	Part	Q1	Q2	Q3	Q4	Q5	PS	Kit	Description	Option(s)	Remark
1	SA3973363	1							Flywheel		
	SA3973362	1					OP		•Flywheel		
2	SA3905427	1							•Gear		
3	SA3901395	8							Screw		
4	SA3900269	8							Washer		

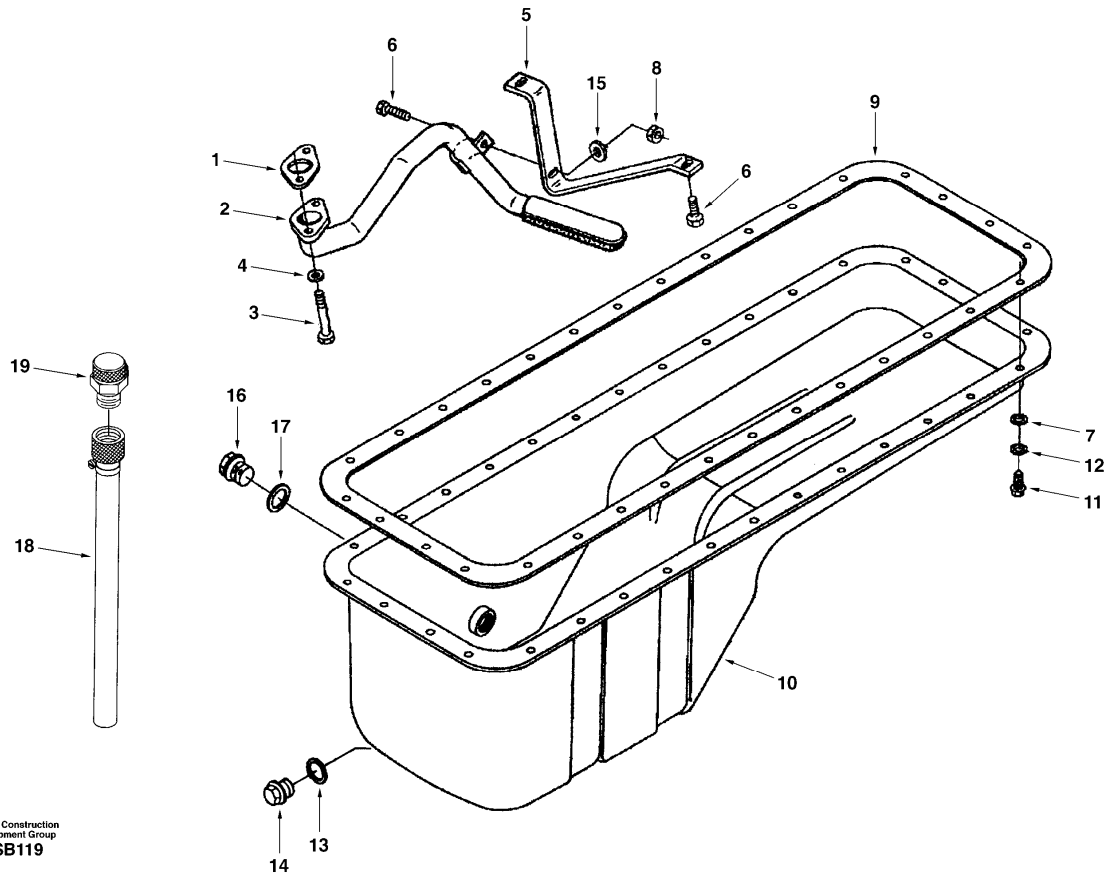
Date: 2013/11/16	Image id: SB118	Catalogue: 56118	Model: EC240
Brand: Volvo	Serial: 3001-9999	Group/Section: 216/300	Title: Vibration damper



Volvo Construction
Equipment Group
SB118

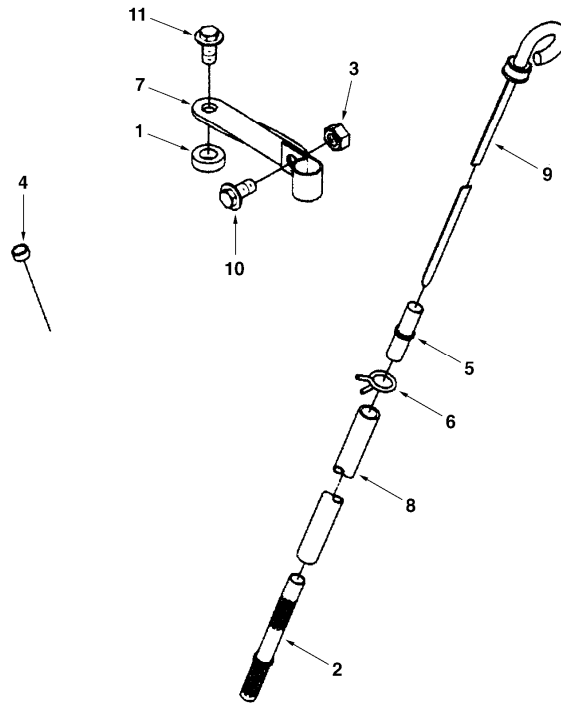
Pos	Part	Q1	Q2	Q3	Q4	Q5	PS	Kit	Description	Option(s)	Remark
1	SA3925570	1							Damper		
2	SA3906733	4							Screw		

Date: 2013/11/16	Image id: SB119	Catalogue: 56118	Model: EC240
Brand: Volvo	Serial: 3001-9999	Group/Section: 217/100	Title: Oil sump



Pos	Part	Q1	Q2	Q3	Q4	Q5	PS	Kit	Description	Option(s)	Remark
1	SA3914302	1							Gasket		
2	SA3931979	1							Connector		
3	SA3900628	2							Screw		
4	SA3926865	2							Spacer		
5	SA3931787	1							Brace		
6	SA3901865	4							Bolt		
7	SA3908316	32							Washer		
8	SA3906216	1							Nut		
9	SA3930408	1							Gasket		
10	SA3931790	1					SS		Oil Pan		
11	SA3902114	32							Screw		
12	SA3910266	32							Washer		
13	SA3920773	1							Washer		
14	SA3914148	1					SS		Plug		
15	SA3910960	1							Washer		

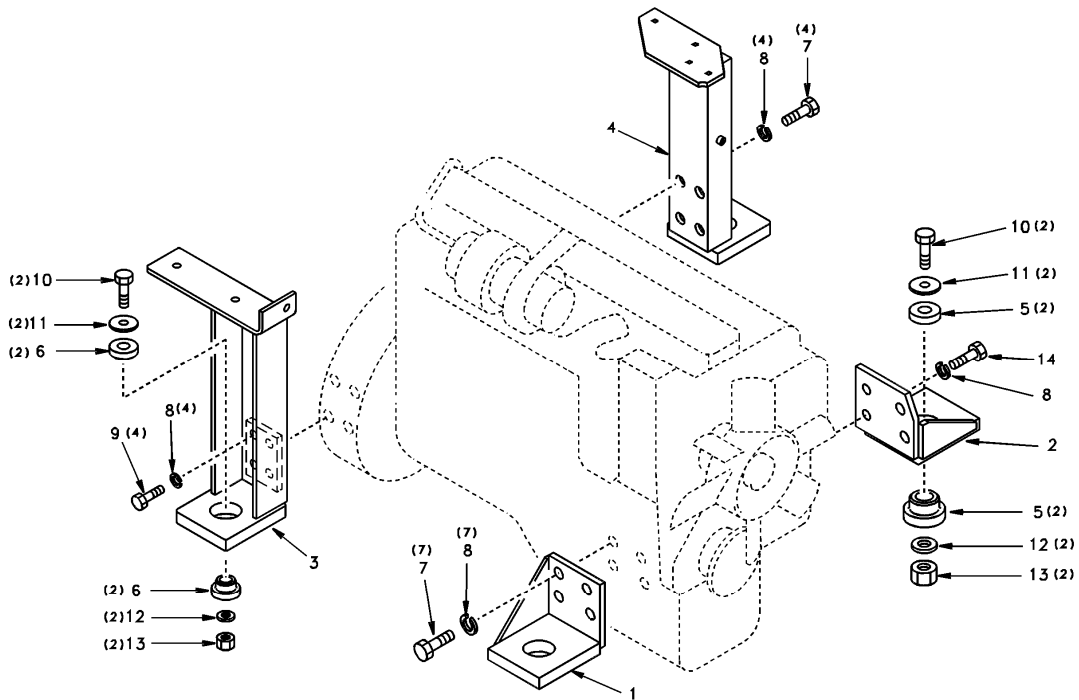
Date: 2013/11/16	Image id: SB120	Catalogue: 56118	Model: EC240
Brand: Volvo	Serial: 3001-9999	Group/Section: 217/200	Title: Oil dipstick



Volvo Construction
Equipment Group
SB120

Pos	Part	Q1	Q2	Q3	Q4	Q5	PS	Kit	Description	Option(s)	Remark
1	SA68368-B	1							Spacer		
2	SA3279104	1							Pipe		
3	SA3900240	1							Nut		
4	SA3900955	1							Plug		
5	SA3905802	1							End		
6	SA3909395	1							Clamp		
7	SA3915152	1							Brace		
8	SA3917314	1							Pipe		
9	SA3932071	1							Dipstick		
10	SA3925883	1							Bolt		
11	SA3900678	1							Bolt		

Date: 2013/11/16	Image id: SB121	Catalogue: 56118	Model: EC240
Brand: Volvo	Serial: 3001-9999	Group/Section: 218/100	Title: Engine mount



Volvo Construction
Equipment Group
SB121

Section option	Kit	Option description
SADE00A001		Basic Machine EC240

Pos	Part	Q1	Q2	Q3	Q4	Q5	PS	Kit	Description	Option(s)	Remark
1	SA1112-00210	1							Bracket		
2	SA1112-01640	1							Bracket		
3	SA1112-00232	1					SS		Bracket		SER NO 3001-3410
	VOE14507209	1							Bracket		SER NO 3411-
4	SA1112-00243	1							Bracket		
5	SA1112-00570	2							Cushion		
6	SA1112-00060	2							Cushion		
7	SA9011-11206	11					SS		Bolt		
8	SA9213-12000	16							Spring Washer		
9	SA9011-21210	4					SS		Bolt		
10	SA9011-22221	4							Hexagon screw		
11	SA2012-00110	4					SS		Plate		

Thank you so much for reading.
Please click the “Buy Now!”
button below to download the
complete manual.



After you pay.

You can download the most
perfect and complete manual in
the world immediately.

Our support email:

ebooklibonline@outlook.com