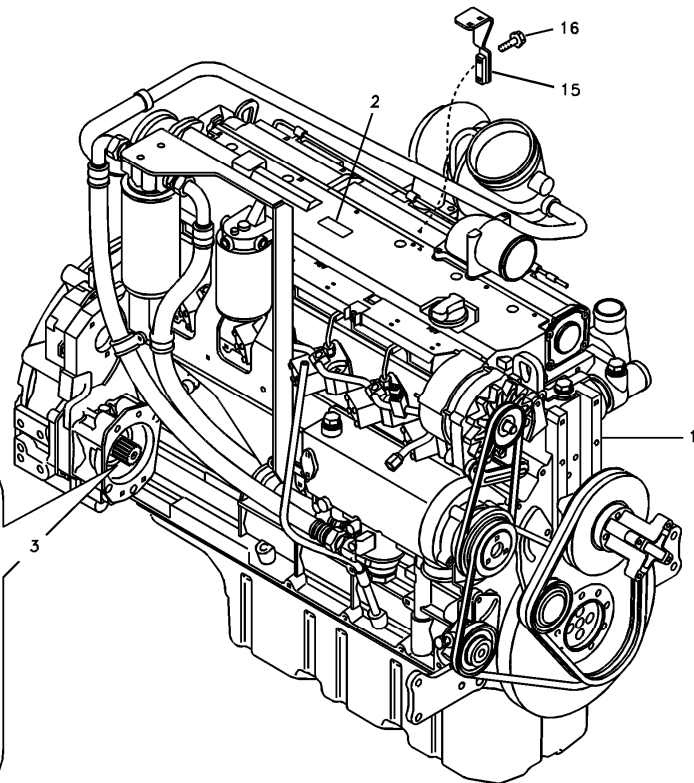
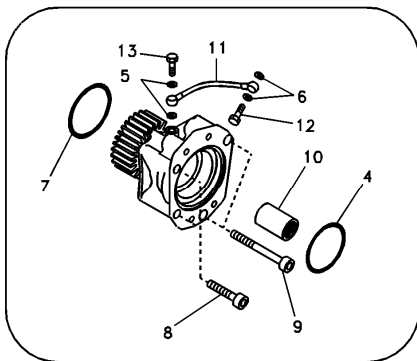
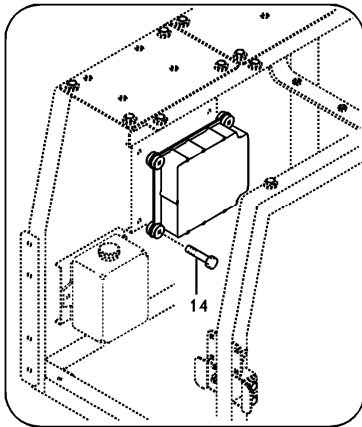


Date: 2013/11/17	Image id: 1010993	Catalogue: 20079	Model: EC240B LC
Brand: Volvo	Serial: 12641-15000, 30259-35000, 80001-85000	Group/Section: 210/100	Title: Engine



Volvo Construction
Equipment
1010993

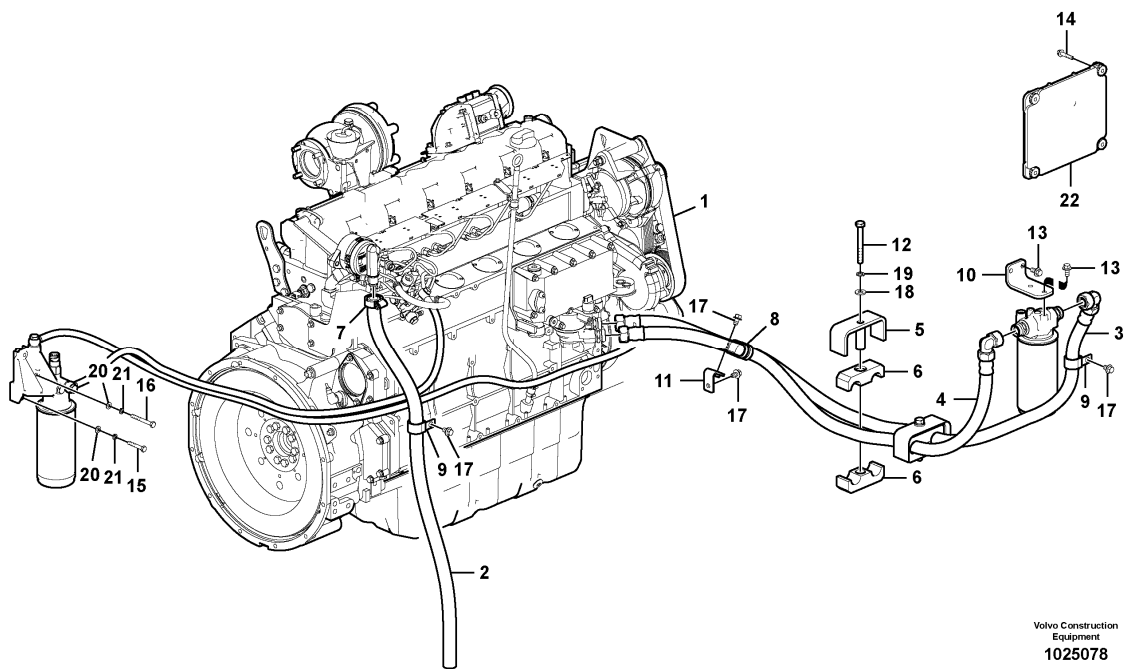
Section option	Kit	Option description
VOE8277587		Basic Machine EC240B
VOE8277673	VOE14515978	Leak-off line for slope-rotator on basic machine
VOE8278909		Engine with Epa label EMISSION CERTIFICATED FROM EPA
VOE8278910		Engine with Eu label EMISSION CERTIFICATED FROM EU
VOE8278911		Engine without Epa label INT AND KOREAN MARKET

Q1-Q5	Option	Option description	
Q1 8277587 S/N -10813	VOE8277587	Basic Machine EC240B	
Q2 8278909 S/N 10814-	VOE8278909	Engine with Epa label EMISSION CERTIFICATED FROM EPA	
Q3 8278910 S/N 10814-	VOE8278910	Engine with Eu label EMISSION CERTIFICATED FROM EU	
Q4 8278911 S/N	VOE8278911	Engine without Epa label INT AND KOREAN MARKET	

10814-			
Q5 8277673	VOE8277673	Leak-off line for slope-rotator on basic machine	

Pos	Part	Q1	Q2	Q3	Q4	Q5	PS	Kit	Description	Option(s)	Remark
1	VOE14500387	1							Engine		SER NO 10001-10813
	VOE14500387		1						Engine		SER NO 10814- SER NO 30001-
	VOE14519201			1					Engine		SER NO 10814- SER NO 30001-
	VOE14519202				1				Engine		SER NO 10814- SER NO 30001-
2	VOE14511115	1					OP		Decal		SER NO 10001-10085
3	VOE20478271					1			Power take-off		(VOE14510895)
4	VOE20450819					1			•O-ring		(VOE11173158)
5	VOE13947281					2			•Gasket		
6	VOE13947621					2			•Plane gasket		
7	VOE20450818					1			•O-ring		
8	VOE20450820					2			•Screw		E PROD ENG - 2007/02
8	VOE21077470					2			•Screw		L PROD ENG 2007/03 -
9	VOE20450821					2			•Screw		
10	VOE20459123					1			•Sleeve		
11	VOE20450980					1			•Oil line		
12	VOE7025167					1			•Hollow screw		(VOE20460231)
13	VOE20460289					1			•Hollow screw		
14	VOE983245	4	4	4	4				Hexagon screw		
15	VOE14516943		1	1	1				Bracket		SER NO 10852-10871
	VOE14521814		1	1	1				Bracket		SER NO 10872- SER NO 30001-
16	VOE946671		2	2	2				Flange screw		SER NO 10852- SER NO 30001-

Date: 2013/11/17	Image id: 1025078	Catalogue: 20079	Model: EC240B LC
Brand: Volvo	Serial: 12641-15000, 30259-35000, 80001-85000	Group/Section: 210/110	Title: Engine

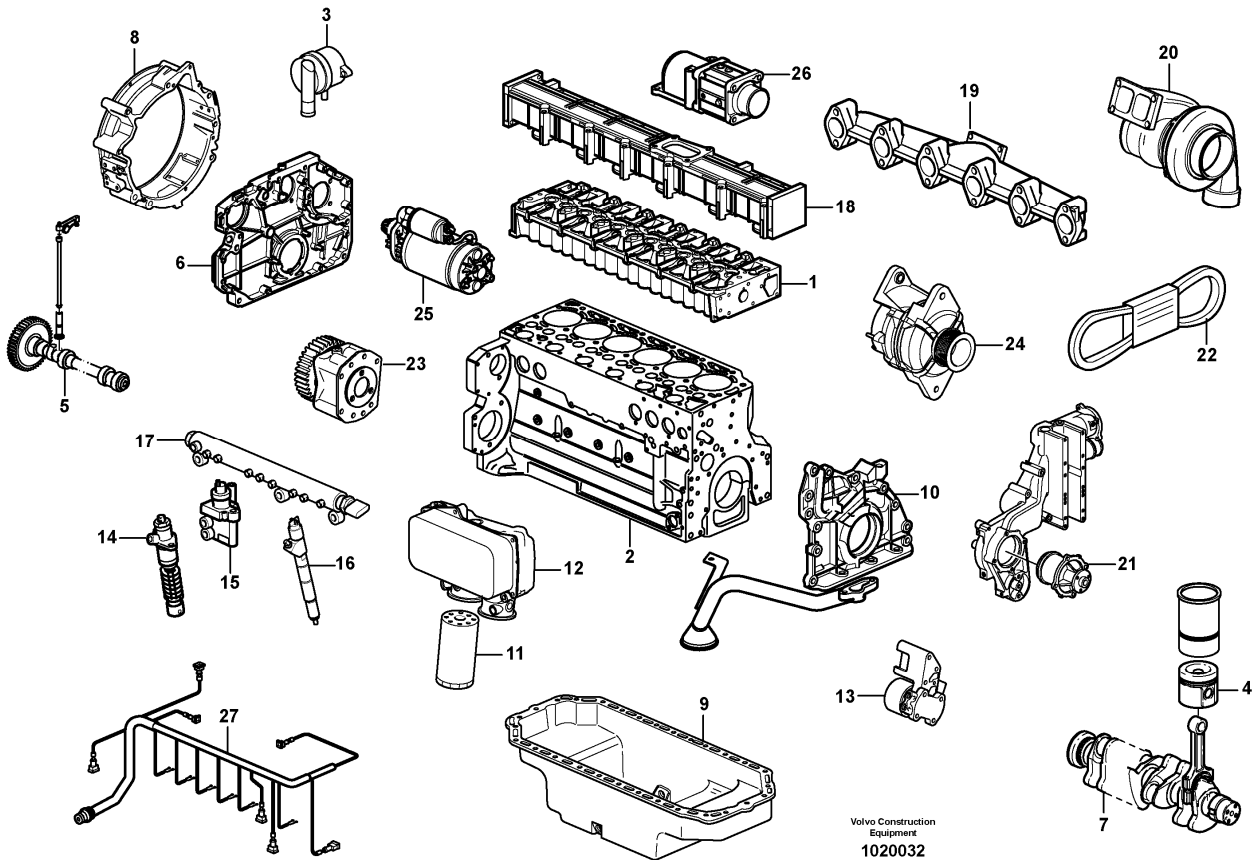


Section option	Kit	Option description
VOE8279626		Engine with Epa label EMISSION CERTIFICATED FROM EU&EPA

Q1-Q5	Option	Option description	
Q1 8279626 S/N 80001-	VOE8279626	Engine with Epa label EMISSION CERTIFICATED FROM EU&EPA	

Pos	Part	Q1	Q2	Q3	Q4	Q5	PS	Kit	Description	Option(s)	Remark
1	VOE14527731	1							Engine		
2	VOE14880502	1							Hose		
3	VOE14566622	1							Hose		
4	VOE14566623	1							Hose		
5	VOE14545479	2							Clamp		
6	VOE14510506	4							Rubber clamp		
7	VOE9312-10175	1							Spring Washer		

Date: 2013/11/17	Image id: 1020032	Catalogue: 20079	Model: EC240B LC
Brand: Volvo	Serial: 12641-15000, 30259-35000, 80001-85000	Group/Section: 210/200	Title: Engine



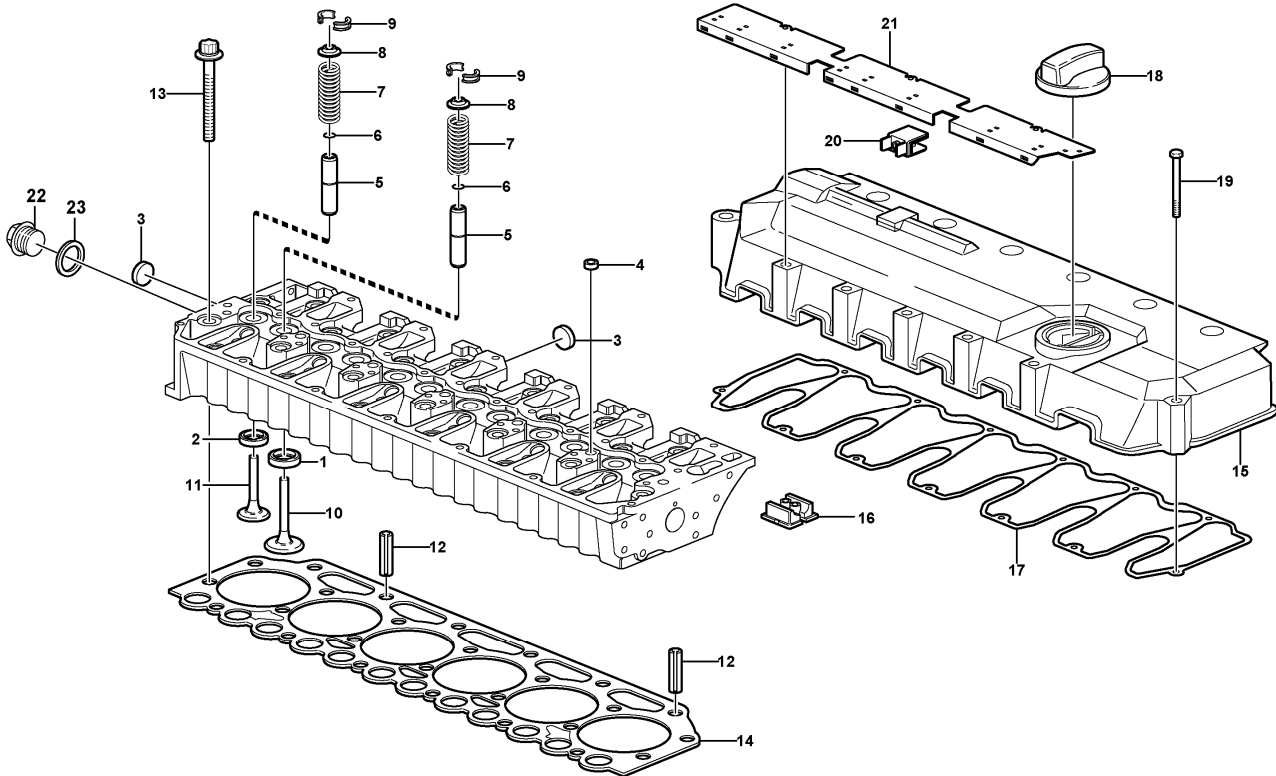
Section option	Kit	Option description
VOE8279626		Engine with Epa label EMISSION CERTIFICATED FROM EU&EPA

Q1-Q5	Option	Option description	
Q1 8279626 S/N 80001-	VOE8279626	Engine with Epa label EMISSION CERTIFICATED FROM EU&EPA	

Pos	Part	Q1	Q2	Q3	Q4	Q5	PS	Kit	Description	Option(s)	Remark
	VOE14527731								Engine		D7EEBE3
1		1							•Cylinder head		See ref 211/110
2		1							•Cylinder block		See ref 212/110
3		1							•Crankcase Venti		See ref 212/310
4		6							•Piston		See ref 213/110
5		1							•Valve mechanism		See ref 214/110
6		1							•Timing gear casing		See ref 215/110

7		1							•Crankshaft		See ref 216/110
8		1							•Flywheel Hsg		See ref 216/210
9		1							•Oil sump		See ref 217/110
10		1							•Lubricating system		See ref 221/110
11		1							•Oil filter		See ref 222/210
12		1							•Oil cooler		See ref 223/100
13		1							•Fuel pump		See ref 233/110
14		2							•Injection pump		See ref 237/110
15		1							•Regulator		See ref 237/110
16		6							•Injector		See ref 237/110
17		1							•Rail		See ref 237/110
18		1							•Inlet pipe		See ref 251/110
19		1							•Exhaust pipe		See ref 251/110
20		1							•Turbocharger		See ref 255/110
21		1							•Coolant Pump		See ref 262/110
22		1							•V-belt		
23		1							•Pump drive		See ref 263/500
24		1							•Alternator		See ref 321/310
25		1							•Starter motor		See ref 331/110
26		1							•Pre-heater		See ref 333/210
27		1							•Cable harness		See ref 371/310

Date: 2013/11/17	Image id: 1017761	Catalogue: 20079	Model: EC240B LC
Brand: Volvo	Serial: 12641-15000, 30259-35000, 80001-85000	Group/Section: 211/100	Title: Cylinder head



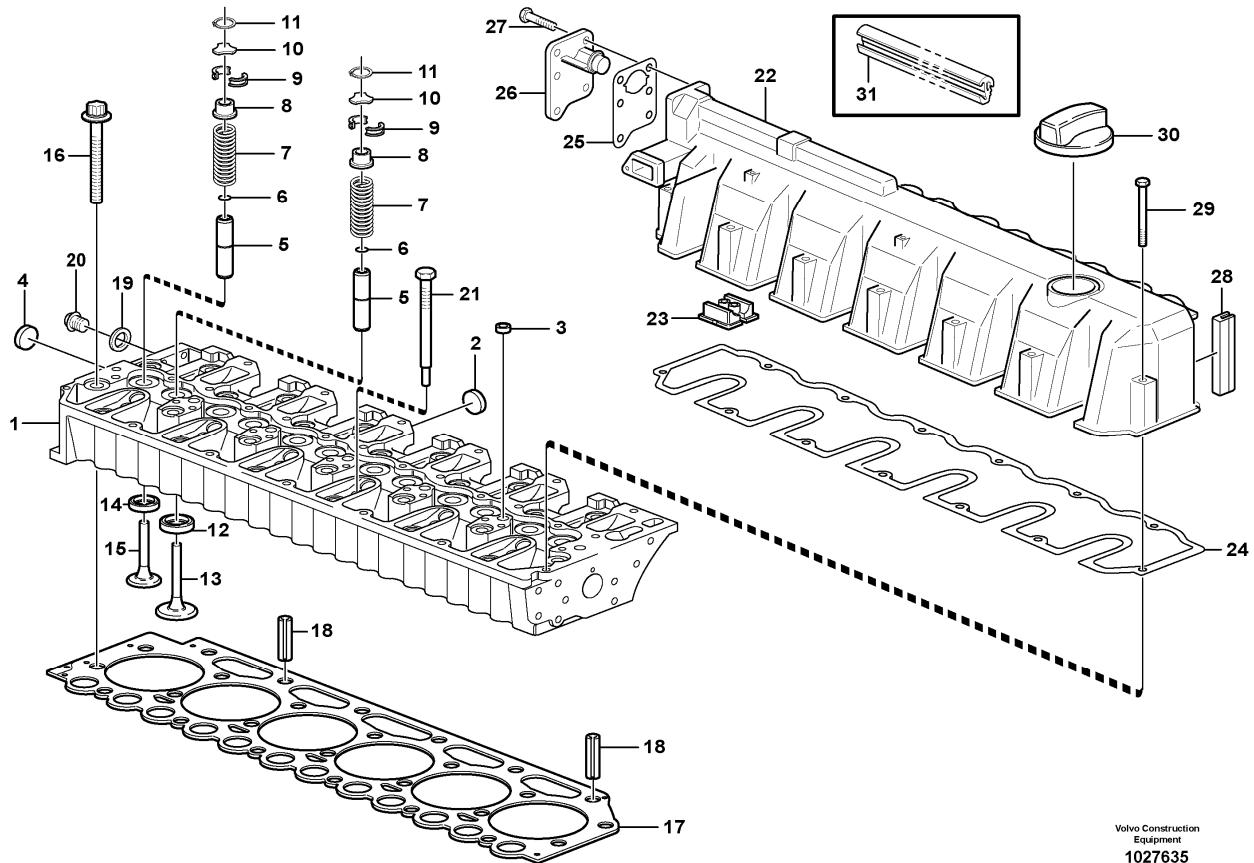
Volvo Construction
Equipment
1017761

Section option	Kit	Option description
VOE8277587		Basic Machine EC240B
VOE8278909		Engine with Epa label EMISSION CERTIFICATED FROM EPA
VOE8278910		Engine with Eu label EMISSION CERTIFICATED FROM EU
VOE8278911		Engine without Epa label INT AND KOREAN MARKET

Q1-Q5	Option	Option description	
Q1 8277587 S/N -10813	VOE8277587	Basic Machine EC240B	
Q2 8278909 S/N 10814-	VOE8278909	Engine with Epa label EMISSION CERTIFICATED FROM EPA	
Q3 8278910 S/N 10814-	VOE8278910	Engine with Eu label EMISSION CERTIFICATED FROM EU	
Q4 8278911 S/N 10814-	VOE8278911	Engine without Epa label INT AND KOREAN MARKET	

Pos	Part	Q1	Q2	Q3	Q4	Q5	PS	Kit	Description	Option(s)	Remark
	VOE20489008	1	1	1	1				Cylinder head		
1	VOE20459962	6	6	6	6				•Valve seat		
2	VOE20459963	6	6	6	6				•Valve seat		
3	VOE20412745	5	5	5	5				•Core plug		
4	VOE20412733	5	5	5	5				•Core plug		(VOE11700344)
5	VOE20405897	12	12	12	12				•Valve guide		(VOE11700349)
6	VOE11700348	12	12	12	12				•O-ring		
7	VOE11700347	12	12	12	12				•Valve spring		
8	VOE11700346	12	12	12	12				•Washer		
9	VOE11700345	24	24	24	24				•Valve sleeve		
10	VOE20405502	6	6	6	6				•Inlet valve		
11	VOE20405503	6	6	6	6		SS		•Exhaust valve		
12	VOE20405521	2	2	2	2				Guide pin		
13	VOE11700334	26	26	26	26				Screw		
14	VOE20405900	1	1	1	1				Gasket		1.4 MM
	VOE20405901	1	1	1	1				Gasket		1.5 MM
	VOE20405902	1	1	1	1				Gasket		1.6 MM
15	VOE20412599	1	1				SS		Valve cover		ENG S/N -939153
	VOE20412599			1			SS		Valve cover		ENG S/N -936534
	VOE20412599				1		SS		Valve cover		ENG S/N -943596
	VOE20725338		1						Valve Cover		ENG S/N 939154-
	VOE20725338			1					Valve Cover		ENG S/N 936535-
	VOE20725338				1				Valve Cover		ENG S/N 943597-
16	VOE20412600	1	1	1	1				•Cap		
17	VOE20412597	1	1						•Gasket		ENG S/N -939153
	VOE20412597			1					•Gasket		ENG S/N -936534
	VOE20412597				1				•Gasket		ENG S/N -943596
	VOE20725316		1						•Gasket		ENG S/N 939154-
	VOE20725316			1					•Gasket		ENG S/N 936535-
	VOE20725316				1				•Gasket		ENG S/N 943597-
18	VOE20412589	1	1	1	1				•Filler cap		
19	VOE20412601	13	13	13	13				•Screw		
20	VOE20450956	1	1	1	1				Cable clamp		
21	VOE20450954	1	1	1	1				Cover plate		
22	VOE20405716				1				Plug		
23	VOE13947621				1				Plane gasket		

Date: 2013/11/17	Image id: 1027635	Catalogue: 20079	Model: EC240B LC
Brand: Volvo	Serial: 12641-15000, 30259-35000, 80001-85000	Group/Section: 211/110	Title: Cylinder head



Volvo Construction
Equipment
1027635

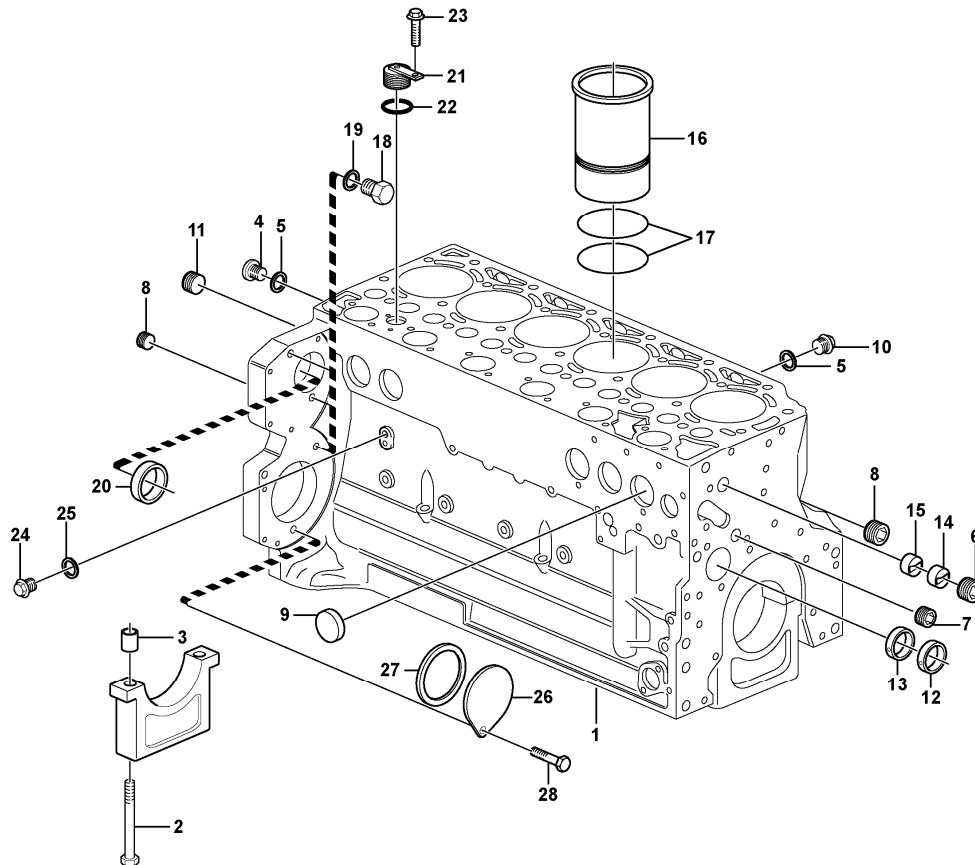
Section option	Kit	Option description
VOE8279626		Engine with Epa label EMISSION CERTIFICATED FROM EU&EPA

Q1-Q5	Option	Option description	
Q1 8279626 S/N 80001-	VOE8279626	Engine with Epa label EMISSION CERTIFICATED FROM EU&EPA	

Pos	Part	Q1	Q2	Q3	Q4	Q5	PS	Kit	Description	Option(s)	Remark
1	VOE20799762	1							Cylinder head		
2	VOE20799722	5							•Plug		
3	VOE20412733	5							•Core plug		
4	VOE20792165	2					SS		•Plug		
5	VOE20405897	12							•Valve guide		
6	VOE11700348	12							•O-ring		
7	VOE11700347	12							•Valve spring		

8	VOE20847155	12							•Retainer		
9	VOE11700345	24							•Valve sleeve		
10	VOE20840807	12							•Thrust Washer		
11	VOE20840772	12							•Snap Ring		
12	VOE20459962	6							•Valve seat		
13	VOE20758481	6							•Inlet valve		
14	VOE20845144	6							•Valve seat		
15	VOE21739130	6							•Exhaust Valve		(VOE20755883)
16	VOE11700334	26							Screw		
17	VOE20943385	1							Cyl Head Gasket		THICK=1,4MM, 1 HOLE
	VOE20949868	1							Cyl Head Gasket		THICK=1,5MM, 2 HOLE
	VOE20943389	1							Cyl Head Gasket		THICK=1,6MM, 3 HOLE
18	VOE20405521	2							Guide pin		
19	VOE13947281	1							Gasket		
20	VOE960628	1							Plug		
21	VOE20405895	6							Plug		
22	VOE21036771	1							Valve Cover		
23	VOE20412600	1							•Cap		
24	VOE20792871	1							•Gasket		
25	VOE20840801	1							•Gasket		
26	VOE20933359	1							•Oil Separator		
27	VOE20797542	6							•Screw		
28	VOE20847667	1							•Sealing		
29	VOE21145471	13							Flange screw		(VOE21037380)
30	VOE20412589	1							Filler cap		
31	VOE20996748	1							Sealing Strip		

Date: 2013/11/17	Image id: 1020762	Catalogue: 20079	Model: EC240B LC
Brand: Volvo	Serial: 12641-15000, 30259-35000, 80001-85000	Group/Section: 212/100	Title: Cylinder block



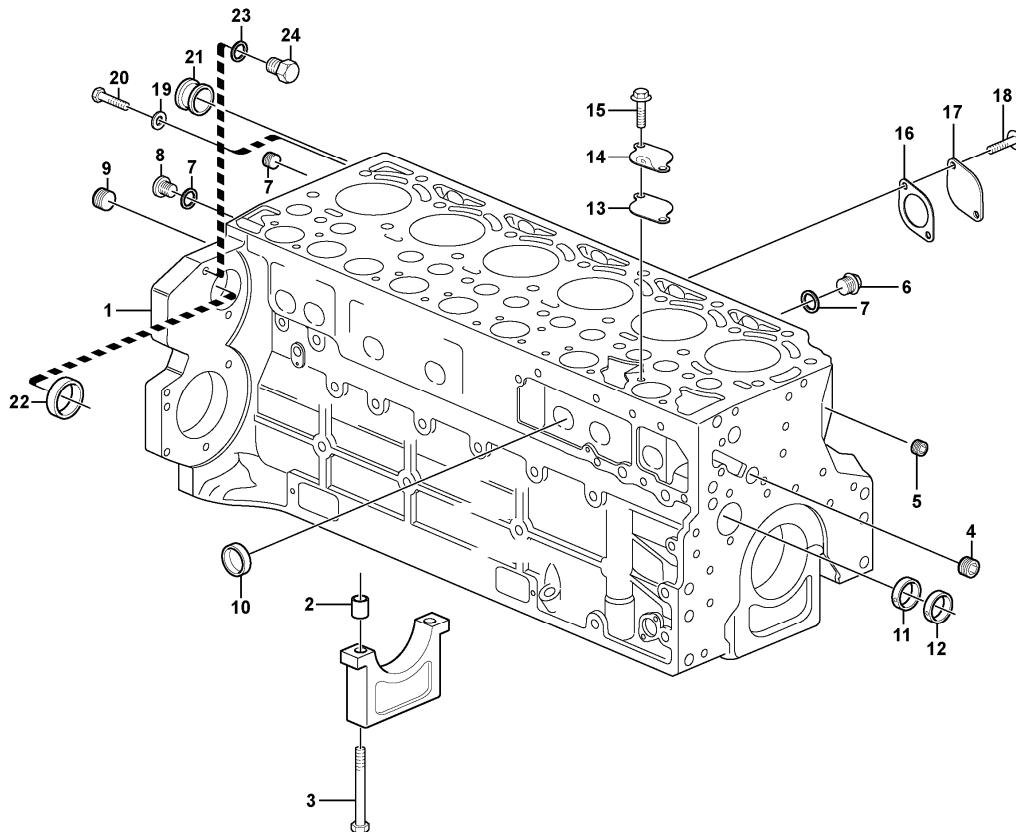
Volvo Construction
Equipment
1020762

Section option	Kit	Option description
VOE8277587		Basic Machine EC240B
VOE8278909		Engine with Epa label EMISSION CERTIFICATED FROM EPA
VOE8278910		Engine with Eu label EMISSION CERTIFICATED FROM EU
VOE8278911		Engine without Epa label INT AND KOREAN MARKET

Q1-Q5	Option	Option description	
Q1 8277587 S/N -10813	VOE8277587	Basic Machine EC240B	
Q2 8278909 S/N 10814-	VOE8278909	Engine with Epa label EMISSION CERTIFICATED FROM EPA	
Q3 8278910 S/N 10814-	VOE8278910	Engine with Eu label EMISSION CERTIFICATED FROM EU	
Q4 8278911 S/N 10814-	VOE8278911	Engine without Epa label INT AND KOREAN MARKET	

Pos	Part	Q1	Q2	Q3	Q4	Q5	PS	Kit	Description	Option(s)	Remark
1	VOE20450768	1	1	1	1		SS		Crankcase		ENG SER NO -779906
	VOE20544667	1	1	1	1				Cylinder Block		ENG SER NO 779907-
2	VOE20405583	14	14	14	14				•Bolt		
3	VOE11700278	14	14	14	14				•Bushing		
4	VOE945065	2	2	2	2				•Plug		
5	VOE976929	4	4	4	4				•Gasket		
6	VOE20405717	1	1	1	1				•Plug		OD = 30 MM
7	VOE20405719	1	1	1	1				•Plug		OD = 22 MM
8	VOE20405718	2	2	2	2				•Plug		OD = 14 MM
9	VOE20405721	10	10	10	10				•Core plug		(VOE11700286)
10	VOE20405716	2	2	2	2				•Plug		
11	VOE20785813	1	1	1	1				•Plug		OD = 22 MM
12	VOE11700284	6	6	6	6				•Bearing bushing		
13	VOE11700285	1	1	1	1				•Bearing bushing		
14	VOE20405584	1	1	1	1				•Guide sleeve		
15	VOE20405906	1	1	1	1				•Guide sleeve		
16	VOE20450770	6	6	6	6				•Cylinder liner		
17	VOE20412762	12	12	12	12				••O-ring		
18	VOE20441859	3	3	3	3				Plug		(VOE20532680)
19	VOE13947281	3	3	3	3				Gasket		
20	VOE20450778	1	1	1	1				Core plug		
21	VOE20702078	1	1	1	1				Plug		ENG - 01047118
	VOE20758137	1	1	1	1				Plug		ENG 01047119 -
22	VOE20405728	1	1	1	1				•Sealing ring		
23	VOE20711881	1	1	1	1				Screw		
24	VOE20405716	1	1	1	1				Plug		
25	VOE13947621	1	1	1	1				Plane gasket		
26	VOE24426064	1	1	1	1				Cover		
27	VOE20412359	1	1	1	1				Sealing ring		
28	VOE888289	2	2	2	2				Hexagon screw		

Date: 2013/11/17	Image id: 1056314	Catalogue: 20079	Model: EC240B LC
Brand: Volvo	Serial: 12641-15000, 30259-35000, 80001-85000	Group/Section: 212/110	Title: Cylinder block



Volvo Construction
Equipment
1056314

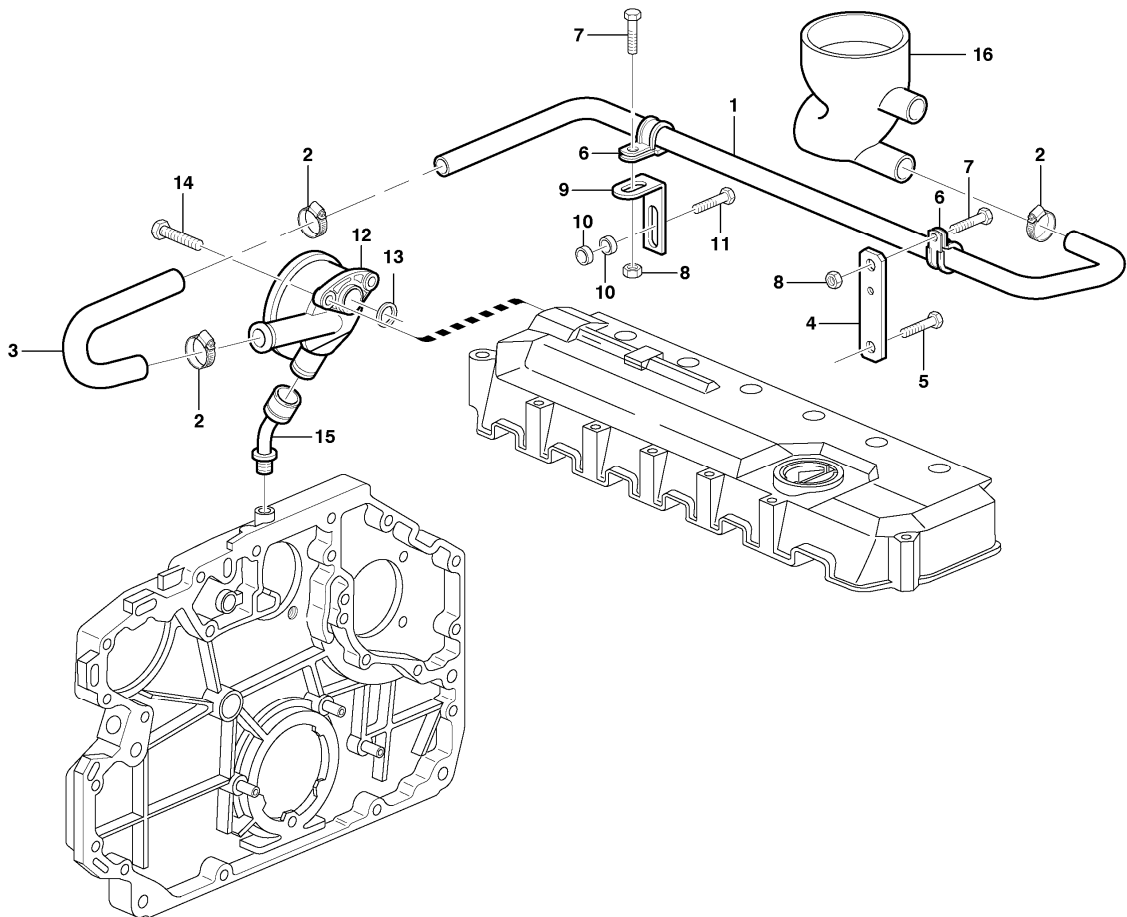
Section option	Kit	Option description
VOE8279626		Engine with Epa label EMISSION CERTIFICATED FROM EU&EPA

Q1-Q5	Option	Option description	
Q1 8279626 S/N 80001-	VOE8279626	Engine with Epa label EMISSION CERTIFICATED FROM EU&EPA	

Pos	Part	Q1	Q2	Q3	Q4	Q5	PS	Kit	Description	Option(s)	Remark
1	VOE20851922	1							Crankcase		
2	VOE11700278	14							•Bushing		
3	VOE20405583	14							•Bolt		
4	VOE20405719	1							•Plug		
5	VOE20508600	2							•Plug		
6	VOE20405716	2							•Plug		
7	VOE13969011	3							•Gasket		

8	VOE945065	1							•Plug		
9	VOE20785813	1							•Plug		
10	VOE20405721	10							•Core plug		
11	VOE11700285	1							•Bearing bushing		
12	VOE11700284	6							•Bearing bushing		
13	VOE20933203	1							Gasket		
14	VOE20840812	1							Cover		
15	VOE20405792	2							Screw		
16	VOE20412341	1							Gasket		
17	VOE21180405	1							Flange		
18	VOE20405885	2							Screw		
19	VOE20460087	1							Washer		
20	VOE20460101	1							Screw		
21	VOE20794126	1							Bushing		
22	VOE20450778	1							Core plug		
23	VOE13947281	2							Gasket		
24	VOE20441859	2							Plug		

Date: 2013/11/17	Image id: 1000524	Catalogue: 20079	Model: EC240B LC
Brand: Volvo	Serial: 12641-15000, 30259-35000, 80001-85000	Group/Section: 212/300	Title: Crankcase ventilation



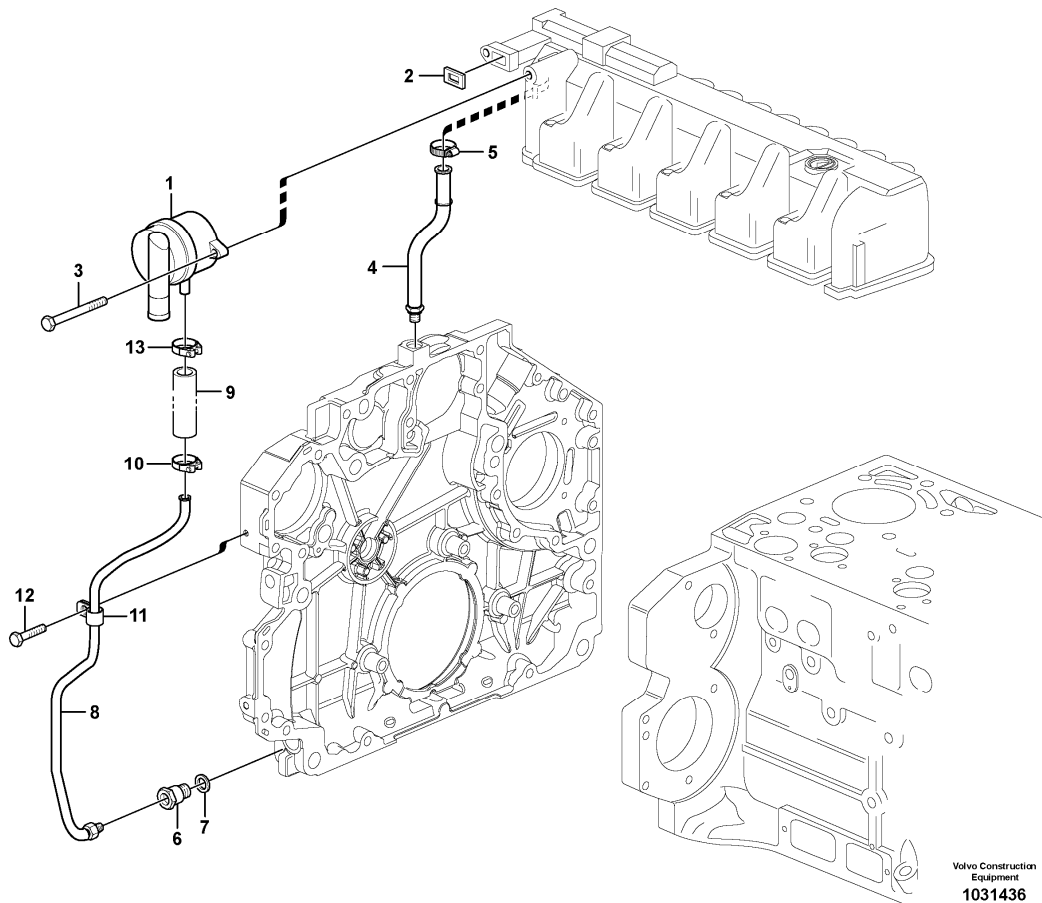
Volvo Construction
Equipment
1000524

Section option	Kit	Option description
VOE8277587		Basic Machine EC240B
VOE8278909		Engine with Epa label EMISSION CERTIFICATED FROM EPA
VOE8278910		Engine with Eu label EMISSION CERTIFICATED FROM EU
VOE8278911		Engine without Epa label INT AND KOREAN MARKET

Q1-Q5	Option	Option description	
Q1 8277587 S/N -10813	VOE8277587	Basic Machine EC240B	
Q2 8278909 S/N 10814-	VOE8278909	Engine with Epa label EMISSION CERTIFICATED FROM EPA	
Q3 8278910 S/N 10814-	VOE8278910	Engine with Eu label EMISSION CERTIFICATED FROM EU	
Q4 8278911 S/N 10814-	VOE8278911	Engine without Epa label INT AND KOREAN MARKET	

Pos	Part	Q1	Q2	Q3	Q4	Q5	PS	Kit	Description	Option(s)	Remark
1	VOE20498075	1	1	1	1				Breather Pipe		
2	VOE20405755	3	3	3	3				Clamping band		
3	VOE20405629	1	1	1	1				Hose		
4	VOE20450724	1	1	1	1		NS		Connecting plate		
5	VOE20412324	1	1	1	1				Screw		
6	VOE20405532	2	2	2	2				Clamp		(VOE20405532)
7	VOE20405885	2	2	2	2				Screw		
8	VOE20405733	2	2	2	2				Hexagon nut		
9	VOE20450726	1	1	1	1				Bracket		
10	VOE20450730	2	2	2	2				Bushing		
11	VOE20405792	1	1	1	1				Screw		
12	VOE20412322	1	1	1	1				Pressure regulator		
13	VOE20405943	1	1	1	1				•Gasket		
14	VOE20450728	2	2	2	2				Bolt		
15	VOE20405938	1	1	1	1				Connector		

Date: 2013/11/17	Image id: 1031436	Catalogue: 20079	Model: EC240B LC
Brand: Volvo	Serial: 12641-15000, 30259-35000, 80001-85000	Group/Section: 212/310	Title: Crankcase ventilation

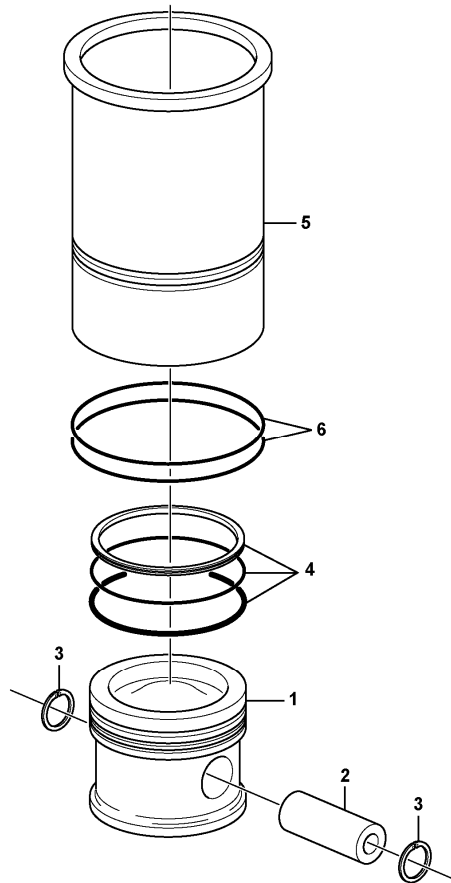


Section option	Kit	Option description
VOE8279626		Engine with Epa label EMISSION CERTIFICATED FROM EU&EPA

Q1-Q5	Option	Option description
Q1 8278626 S/N 80001-		

Pos	Part	Q1	Q2	Q3	Q4	Q5	PS	Kit	Description	Option(s)	Remark
1	VOE20930510	1							Pressure regulator		
2	VOE21038626	1							•Gasket		
3	VOE20405504	2							Screw		(VOE20792147)
4	VOE20820967	1							Oil Line		
5	VOE20799673	1							Hose Clamp		
6	VOE20841133	1							Dtt Regulator		
7	VOE20460026	1							Sealing ring		

Date: 2013/11/17	Image id: 1019005	Catalogue: 20079	Model: EC240B LC
Brand: Volvo	Serial: 12641-15000, 30259-35000, 80001-85000	Group/Section: 213/100	Title: Cylinder liner and piston



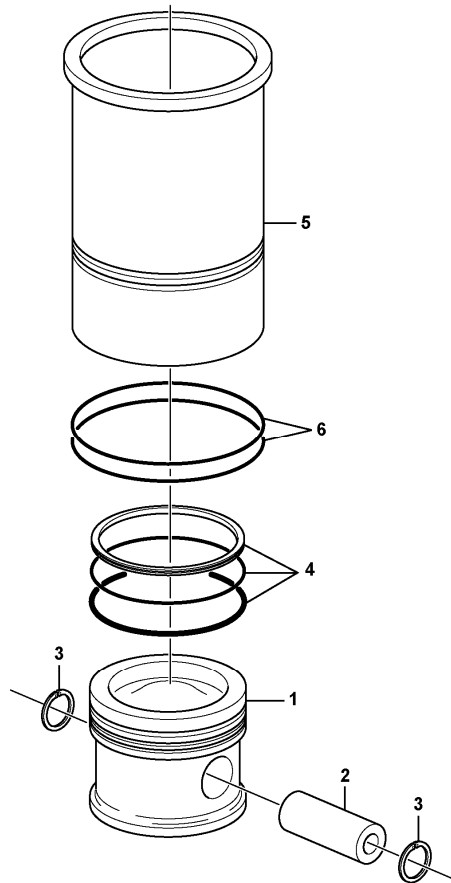
Volvo Construction
Equipment
1019005

Section option	Kit	Option description
VOE8277587		Basic Machine EC240B
VOE8278909		Engine with Epa label EMISSION CERTIFICATED FROM EPA
VOE8278910		Engine with Eu label EMISSION CERTIFICATED FROM EU
VOE8278911		Engine without Epa label INT AND KOREAN MARKET

Q1-Q5	Option	Option description	
Q1 8277587 S/N -10813	VOE8277587	Basic Machine EC240B	
Q2 8278909 S/N 10814-	VOE8278909	Engine with Epa label EMISSION CERTIFICATED FROM EPA	
Q3 8278910 S/N 10814-	VOE8278910	Engine with Eu label EMISSION CERTIFICATED FROM EU	
Q4 8278911 S/N 10814-	VOE8278911	Engine without Epa label INT AND KOREAN MARKET	

Pos	Part	Q1	Q2	Q3	Q4	Q5	PS	Kit	Description	Option(s)	Remark
	VOE20854656	6	6	6	6				Cyl Liner Kit		
1		6	6	6	6		NS		•Piston		
2	VOE20405577	6	6	6	6				••Gudgeon pin		
3	VOE20405576	12	12	12	12				••Retaining ring		
4	VOE21299547	6	6	6	6				••Piston ring kit		
5		6	6	6	6		NS		•Cylinder Liner		
6	VOE20412762	12	12	12	12				••O-ring		

Date: 2013/11/17	Image id: 1019005	Catalogue: 20079	Model: EC240B LC
Brand: Volvo	Serial: 12641-15000, 30259-35000, 80001-85000	Group/Section: 213/110	Title: Cylinder liner and piston



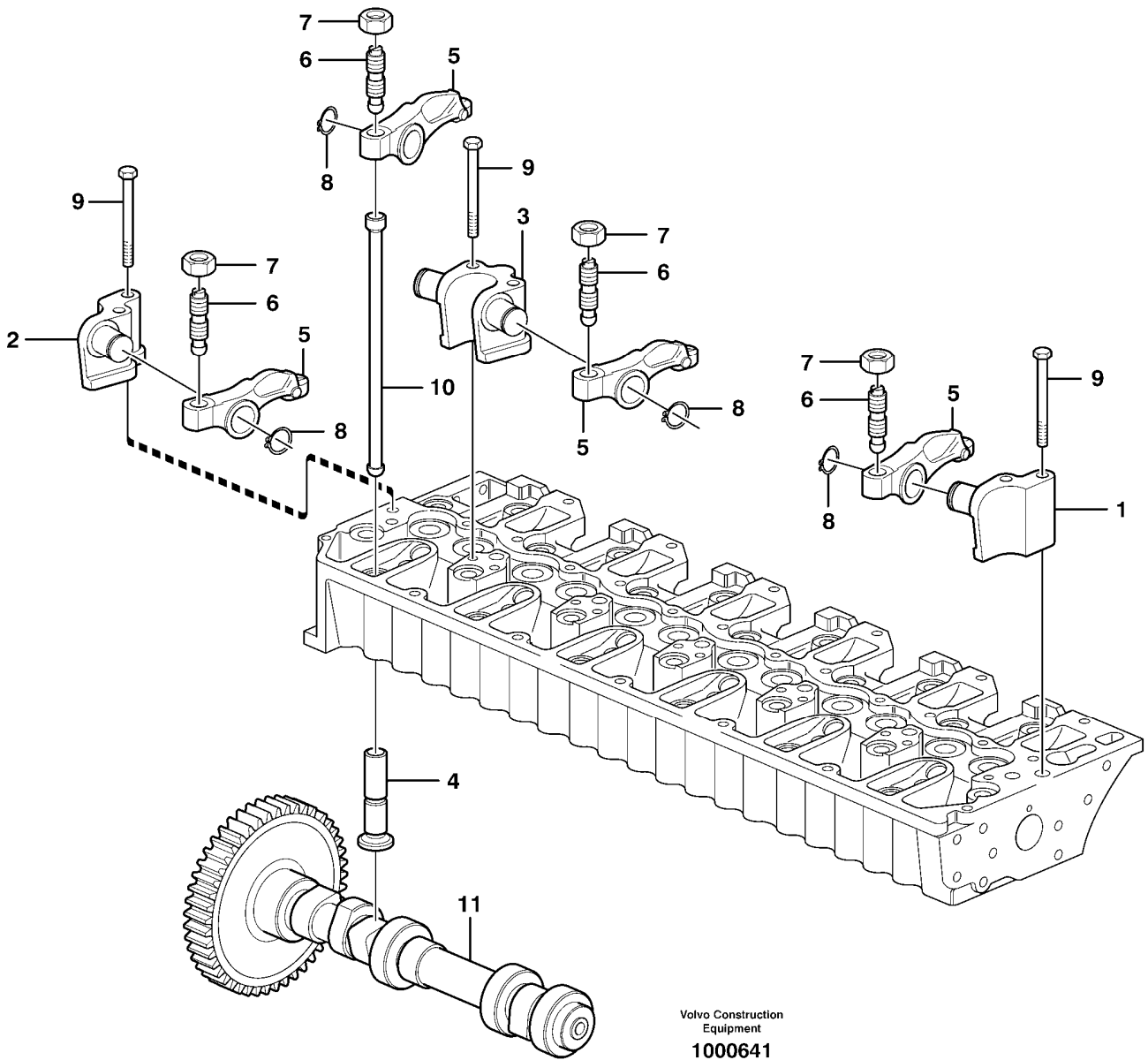
Volvo Construction
Equipment
1019005

Section option	Kit	Option description
VOE8279626		Engine with Epa label EMISSION CERTIFICATED FROM EU&EPA

Q1-Q5	Option	Option description	
Q1 8279626 S/N 80001-	VOE8279626	Engine with Epa label EMISSION CERTIFICATED FROM EU&EPA	

Pos	Part	Q1	Q2	Q3	Q4	Q5	PS	Kit	Description	Option(s)	Remark
	VOE20865990	6							Cyl Liner Kit		
1		6					NS		•Piston		
2	VOE20405577	6							••Gudgeon pin		
3	VOE20405576	12							••Retaining ring		
4	VOE21299547	6							••Piston ring kit		(VOE20450775)
5		6					NS		•Cylinder Liner		
6	VOE20412762	12							••O-ring		

Date: 2013/11/17	Image id: 1000641	Catalogue: 20079	Model: EC240B LC
Brand: Volvo	Serial: 12641-15000, 30259-35000, 80001-85000	Group/Section: 214/100	Title: Valve mechanism



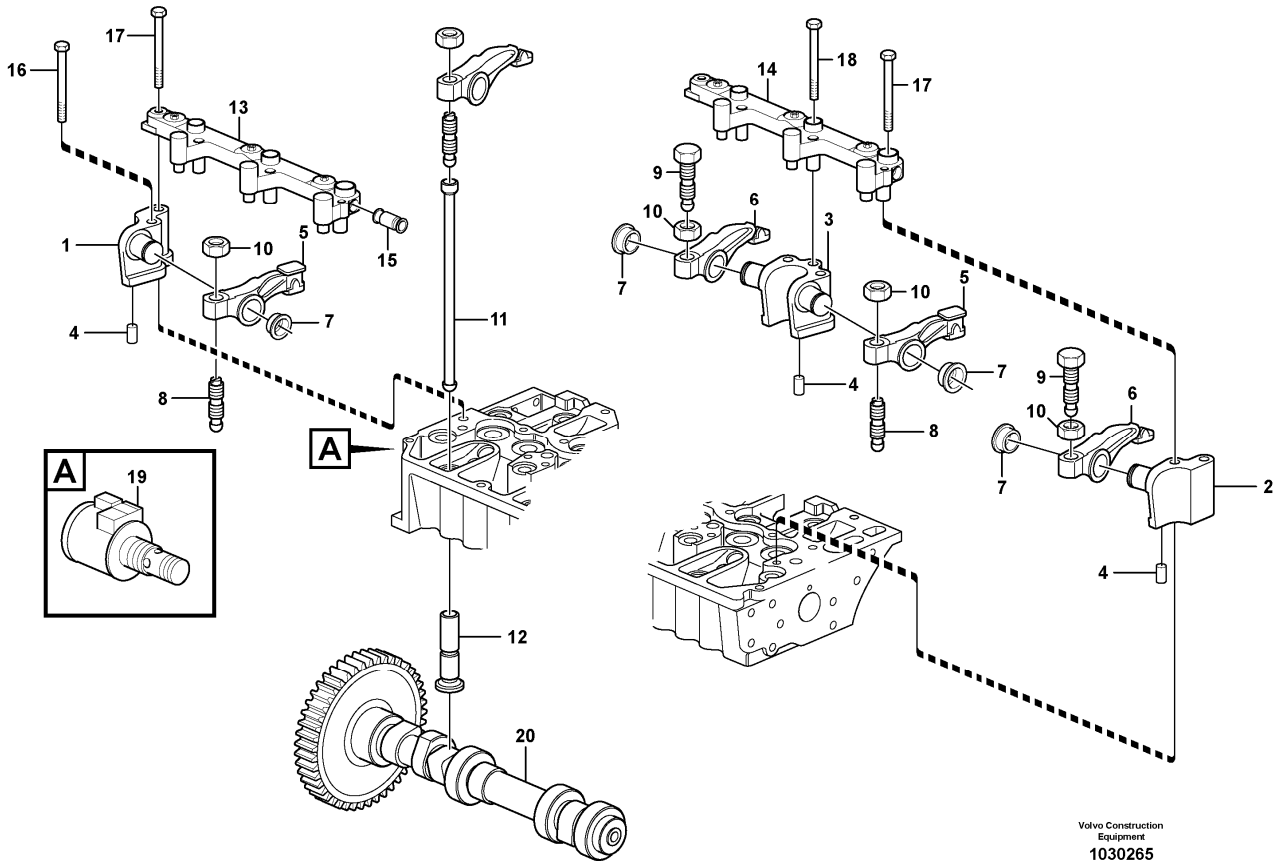
Section option	Kit	Option description
VOE8277587		Basic Machine EC240B
VOE8278909		Engine with Epa label EMISSION CERTIFICATED FROM EPA
VOE8278910		Engine with Eu label EMISSION CERTIFICATED FROM EU
VOE8278911		Engine without Epa label INT AND KOREAN MARKET

Q1-Q5	Option	Option description

Q1 8277587 S/N -10813	VOE8277587	Basic Machine EC240B	
Q2 8278909 S/N 10814-	VOE8278909	Engine with Epa label EMISSION CERTIFICATED FROM EPA	
Q3 8278910 S/N 10814-	VOE8278910	Engine with Eu label EMISSION CERTIFICATED FROM EU	
Q4 8278911 S/N 10814-	VOE8278911	Engine without Epa label INT AND KOREAN MARKET	

Pos	Part	Q1	Q2	Q3	Q4	Q5	PS	Kit	Description	Option(s)	Remark
1	VOE11700367	1	1	1	1				Bearing bracket		
2	VOE11700369	1	1	1	1				Bearing bracket		
3	VOE11700368	5	5	5	5				Bearing bracket		
4	VOE11700366	12	12	12	12				Tappet		
5	VOE11700370	12	12	12	12				Rocker arm		
6	VOE20405524	12	12	12	12				Screw		
7	VOE11700373	12	12	12	12				Nut		
8	VOE945495	12	12	12	12				Retaining ring		
9	VOE20555068	14	14	14	14				Screw		
10	VOE20405534	12	12	12	12				Push rod		
11	VOE20544668	1	1	1	1		SS		Camshaft		ENG - 01099467
11	VOE21277069	1	1	1	1				Camshaft		(VOE20909235)ENG 01099468 -

Date: 2013/11/17	Image id: 1030265	Catalogue: 20079	Model: EC240B LC
Brand: Volvo	Serial: 12641-15000, 30259-35000, 80001-85000	Group/Section: 214/110	Title: Valve mechanism



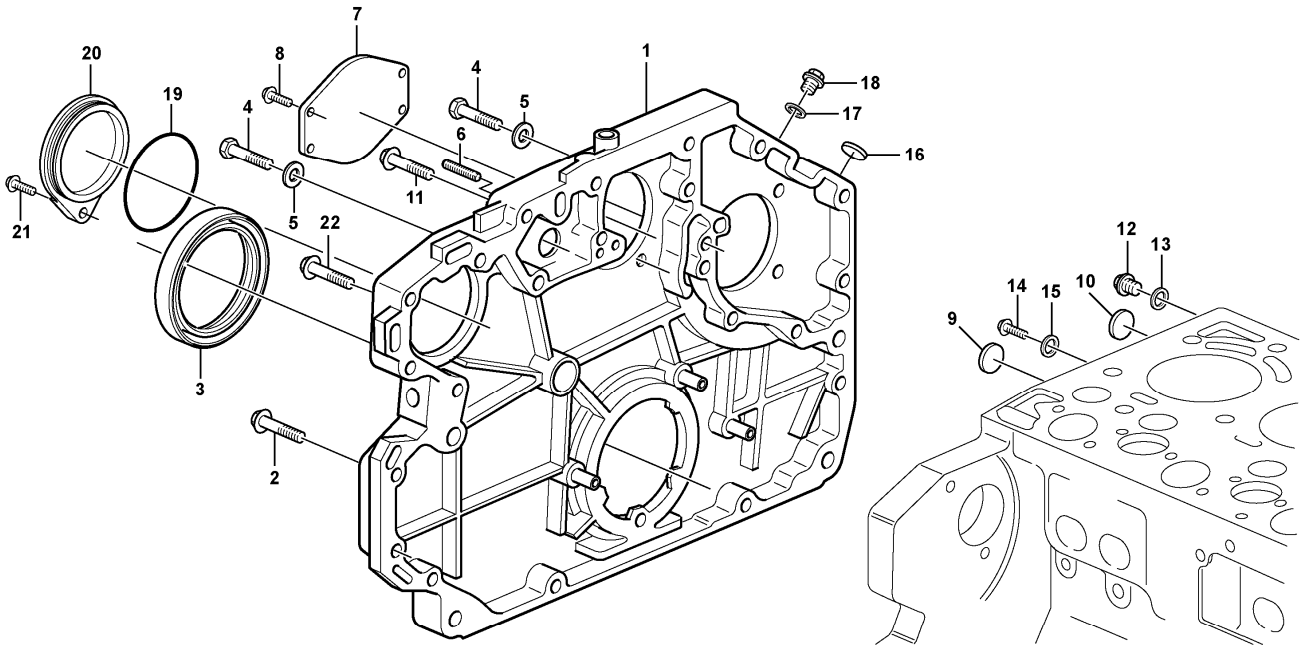
Section option	Kit	Option description
VOE8279626		Engine with Epa label EMISSION CERTIFICATED FROM EU&EPA

Q1-Q5	Option	Option description
Q1 8279626 S/N 80001-	VOE8279626	Engine with Epa label EMISSION CERTIFICATED FROM EU&EPA

Pos	Part	Q1	Q2	Q3	Q4	Q5	PS	Kit	Description	Option(s)	Remark
1	VOE20794124	1							Bracket		(VOE21066484)
2	VOE20826696	1							Bracket		(VOE21066474)
3	VOE20793045	5							Bracket		(VOE21066482)
4	VOE20790837	7							Pin		
5	VOE20792878	6							Rocker Arm		
6	VOE21448926	6							Rocker arm		(VOE20792876)
7	VOE20794115	12							Retaining ring		

8	VOE20913851	6							Adjusting Screw		
9	VOE20816389	6							Adjusting Screw		
10	VOE11700373	12							Nut		
11	VOE20405534	12							Push rod		
12	VOE20792475	12							Tappet		
13	VOE20802124	1							Actuator		
14	VOE20802121	1							Actuator		
15	VOE20798864	1							Pipe		
16	VOE20405723	7							Screw		
17	VOE20799653	7							Bolt		
18	VOE20450802	3							Screw		
19	VOE20795296	1							Solenoid valve		
20	VOE20795775	1							Camshaft		ENG - 10297941
20	VOE21012455	1							Camshaft		ENG 10297942 -

Date: 2013/11/17	Image id: 1020934	Catalogue: 20079	Model: EC240B LC
Brand: Volvo	Serial: 12641-15000, 30259-35000, 80001-85000	Group/Section: 215/100	Title: Timing gear casing



Volvo Construction
Equipment
1020934

Section option	Kit	Option description
VOE8277587		Basic Machine EC240B
VOE8278909		Engine with Epa label EMISSION CERTIFICATED FROM EPA
VOE8278910		Engine with Eu label EMISSION CERTIFICATED FROM EU
VOE8278911		Engine without Epa label INT AND KOREAN MARKET

Q1-Q5	Option	Option description	
Q1 8277587 S/N -10813	VOE8277587	Basic Machine EC240B	
Q2 8278909 S/N 10814-	VOE8278909	Engine with Epa label EMISSION CERTIFICATED FROM EPA	
Q3 8278910 S/N 10814-	VOE8278910	Engine with Eu label EMISSION CERTIFICATED FROM EU	
Q4 8278911 S/N 10814-	VOE8278911	Engine without Epa label INT AND KOREAN MARKET	

Pos	Part	Q1	Q2	Q3	Q4	Q5	PS	Kit	Description	Option(s)	Remark
1	VOE21077860	1	1	1	1				Cover		
2	VOE20412324	12	12	12	12				Screw		
3	VOE20412286	2	2	2	2				Sealing ring		
4	VOE20534597	2	2	2	2				Screw		
5	VOE13955900	2	2	2	2				Washer		
6	VOE20450795	1	1	1	1				Set screw		
7	VOE20450799	1	1	1	1				Cover		
8	VOE20405709	4	4	4	4				Screw		
9	VOE20412745	1	1	1	1				Core plug		
10	VOE20490808	1	1	1	1				Cover		
11	VOE20450801	1	1	1	1				Screw		
12	VOE945065	1	1	1	1				Plug		
13	VOE13947621	1	1	1	1				Plane gasket		
14	VOE20405898	1	1	1	1				Screw		
15	VOE20460087	1	1	1	1				Washer		
16	VOE20405605	1	1	1	1				Cover		
17	VOE13947621	1	1	1	1				Plane gasket		
18	VOE20451012	1	1	1	1				Screw		
19	VOE20405652	1	1	1	1				Sealing ring		
20	VOE20706651	1	1	1	1				Cover		
21	VOE20450802	1	1	1	1				Screw		
22	VOE20405709	1	1	1	1				Screw		

Thank you so much for reading.
Please click the “Buy Now!”
button below to download the
complete manual.



After you pay.

You can download the most
perfect and complete manual in
the world immediately.

Our support email:

ebooklibonline@outlook.com