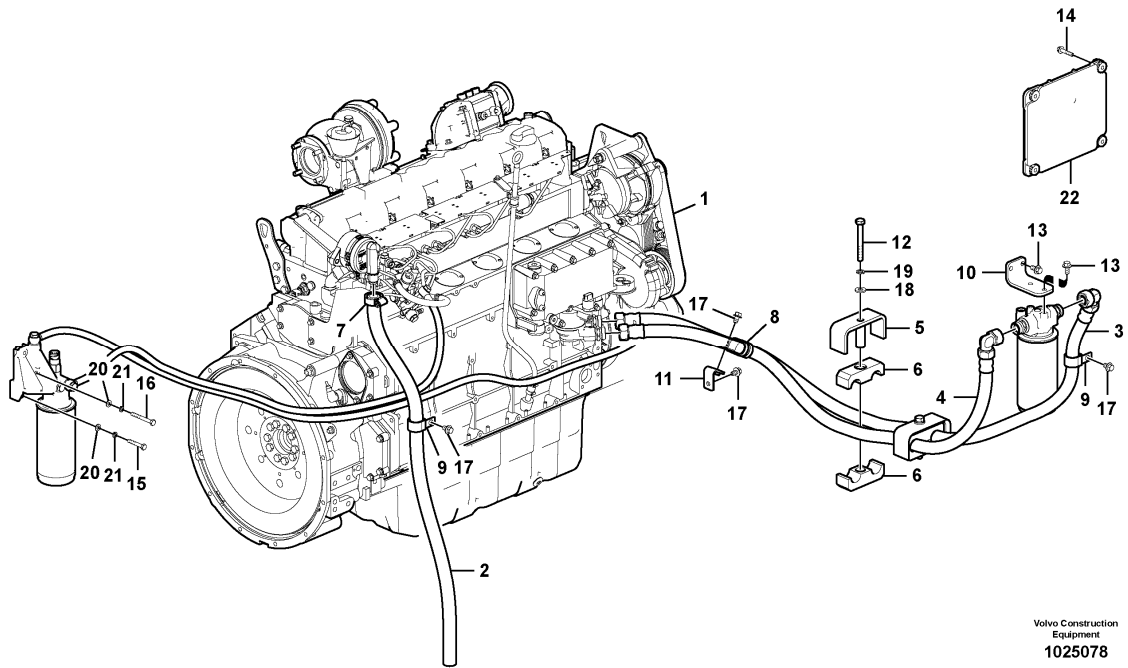


Date: 2013/11/19	Image id: 1025078	Catalogue: 20098	Model: EC240C L
Brand: Volvo	Serial: 110001-, 120001-	Group/Section: 210/100	Title: Engine



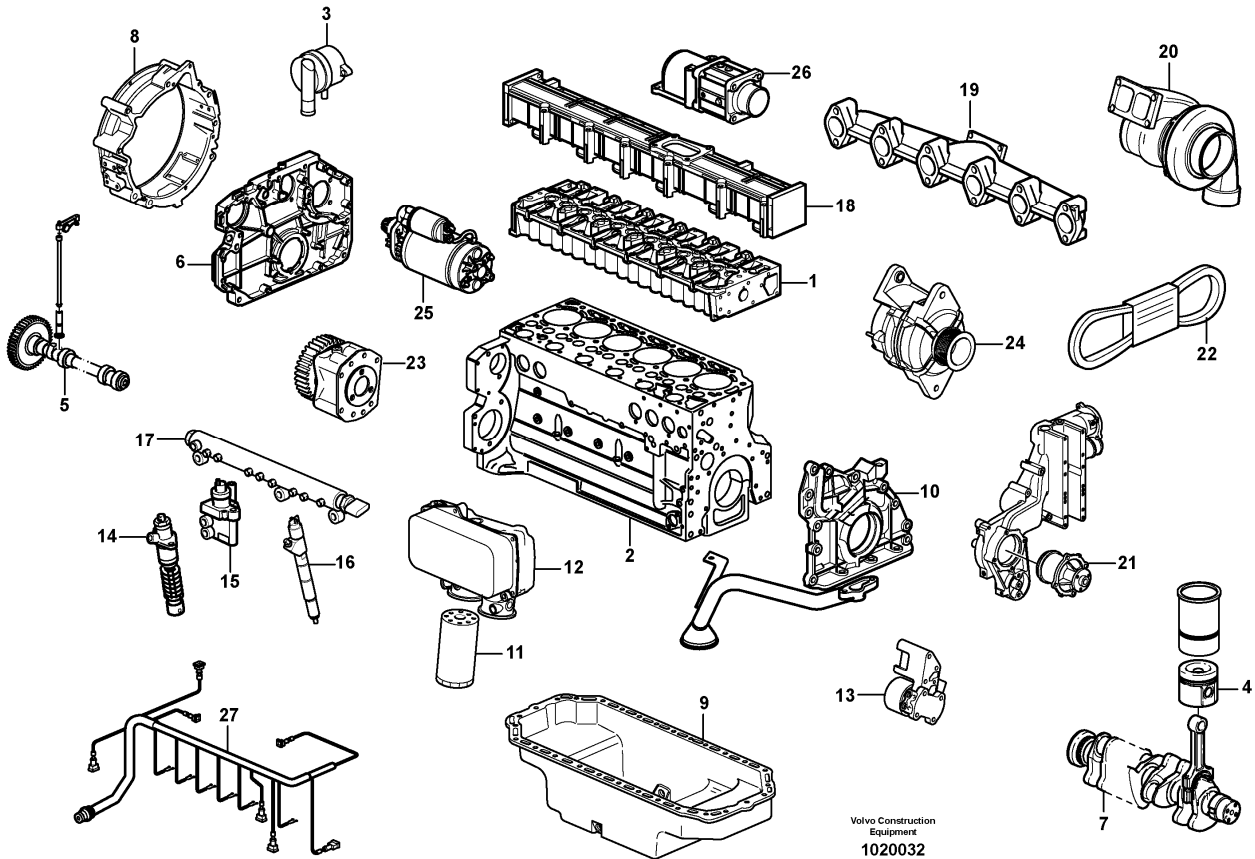
Volvo Construction
Equipment
1025078

Section option	Kit	Option description
VOE8279626		Engine with Epa label EMISSION CERTIFICATED FROM EU&EPA

Q1-Q5	Option	Option description	
Q1 8279626	VOE8279626	Engine with Epa label EMISSION CERTIFICATED FROM EU&EPA	

Pos	Part	Q1	Q2	Q3	Q4	Q5	PS	Kit	Description	Option(s)	Remark
1	VOE14527731	1							Engine		
2	VOE14880502	1							Hose		
3	VOE14566622	1							Hose		S/N 110001-110820
	VOE14585039	1							Hose		S/N 110821-
4	VOE14566623	1							Hose		
5	VOE14545479	2							Clamp		
6	VOE14510506	4							Rubber clamp		
7	VOE9312-10175	1							Spring Washer		
8	VOE14507451	1							Clip		

Date: 2013/11/19	Image id: 1020032	Catalogue: 20098	Model: EC240C L
Brand: Volvo	Serial: 110001-, 120001-	Group/Section: 210/200	Title: Engine



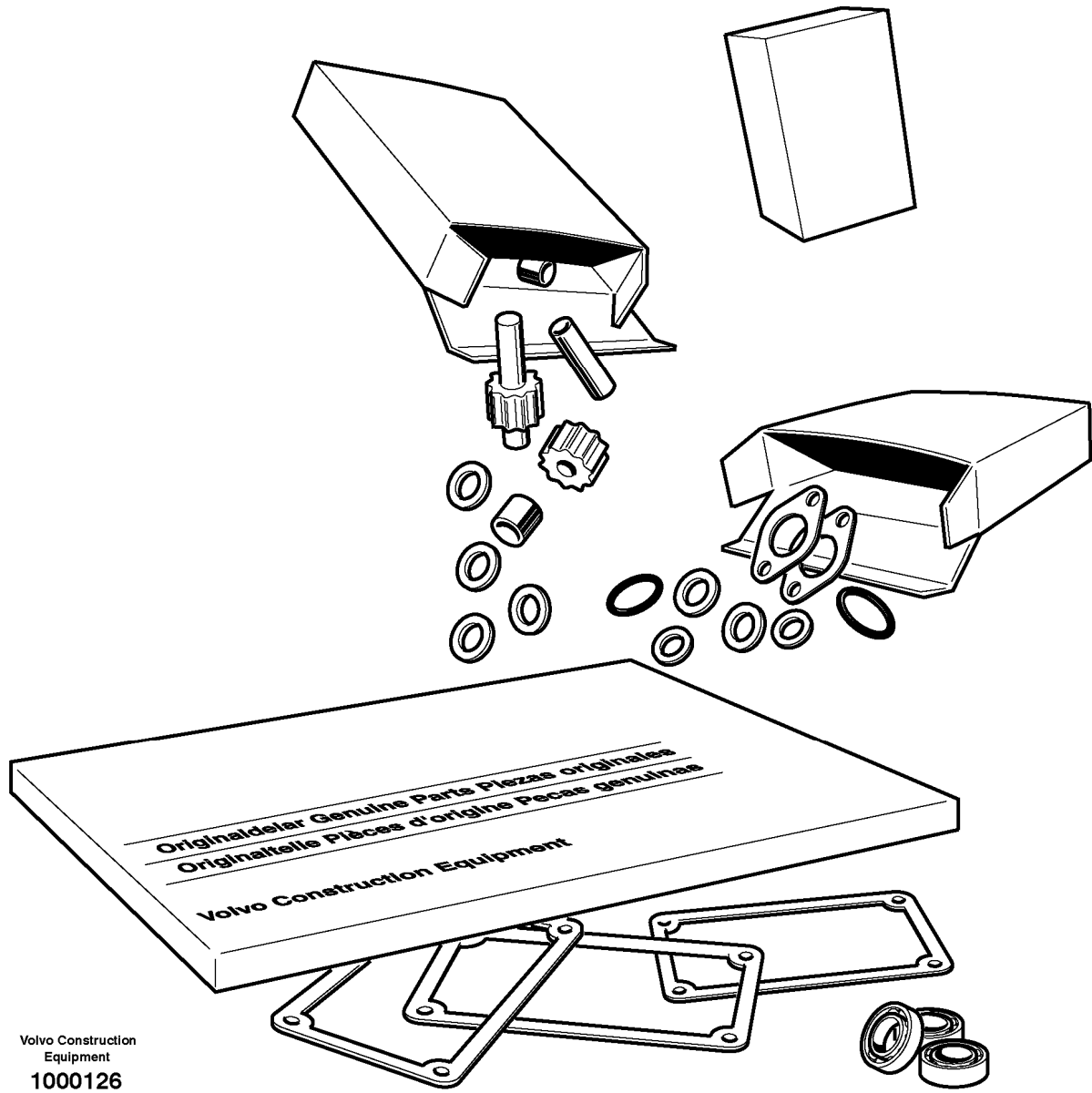
Section option	Kit	Option description
VOE8279626		Engine with Epa label EMISSION CERTIFICATED FROM EU&EPA

Q1-Q5	Option	Option description	
Q1 8279626	VOE8279626	Engine with Epa label EMISSION CERTIFICATED FROM EU&EPA	

Pos	Part	Q1	Q2	Q3	Q4	Q5	PS	Kit	Description	Option(s)	Remark
	VOE14527731								Engine		D7EEBE3
1		1							•Cylinder head		See ref 211/100
2		1							•Cylinder block		See ref 212/100
3		1							•Crankcase Venti		See ref 212/300
4		6							•Piston		See ref 213/100
5		1							•Valve mechanism		See ref 214/100
6		1							•Timing gear casing		See ref 215/100
7		1							•Crankshaft		See ref 216/100
8		1							•Flywheel Hsg		See ref 216/200

9		1							•Oil sump		See ref 217/100
10		1							•Lubricating system		See ref 221/100
11		1							•Oil filter		See ref 222/200
12		1							•Oil cooler		See ref 223/100
13		1							•Fuel pump		See ref 233/100
14		2							•Injcection pump		See ref 237/100
15		1							•Regulator		See ref 237/100
16		6							•Injector		See ref 237/100
17		1							•Rail		See ref 237/100
18		1							•Inlet pipe		See ref 251/100
19		1							•Exhaust pipe		See ref 251/100
20		1							•Turbocharger		See ref 255/100
21		1							•Coolant Pump		See ref 262/100
22		1							•V-belt		See ref 263/100
23		1							•Pump drive		See ref 263/500
24		1							•Alternator		See ref 321/100
25		1							•Starter motor		See ref 331/100
26		1							•Pre-heater		See ref 333/200
27		1							•Cable harness		See ref 371/300

Date: 2013/11/19	Image id: 1000126	Catalogue: 20098	Model: EC240C L
Brand: Volvo	Serial: 110001-, 120001-	Group/Section: 210/300	Title: Repair kits for engine



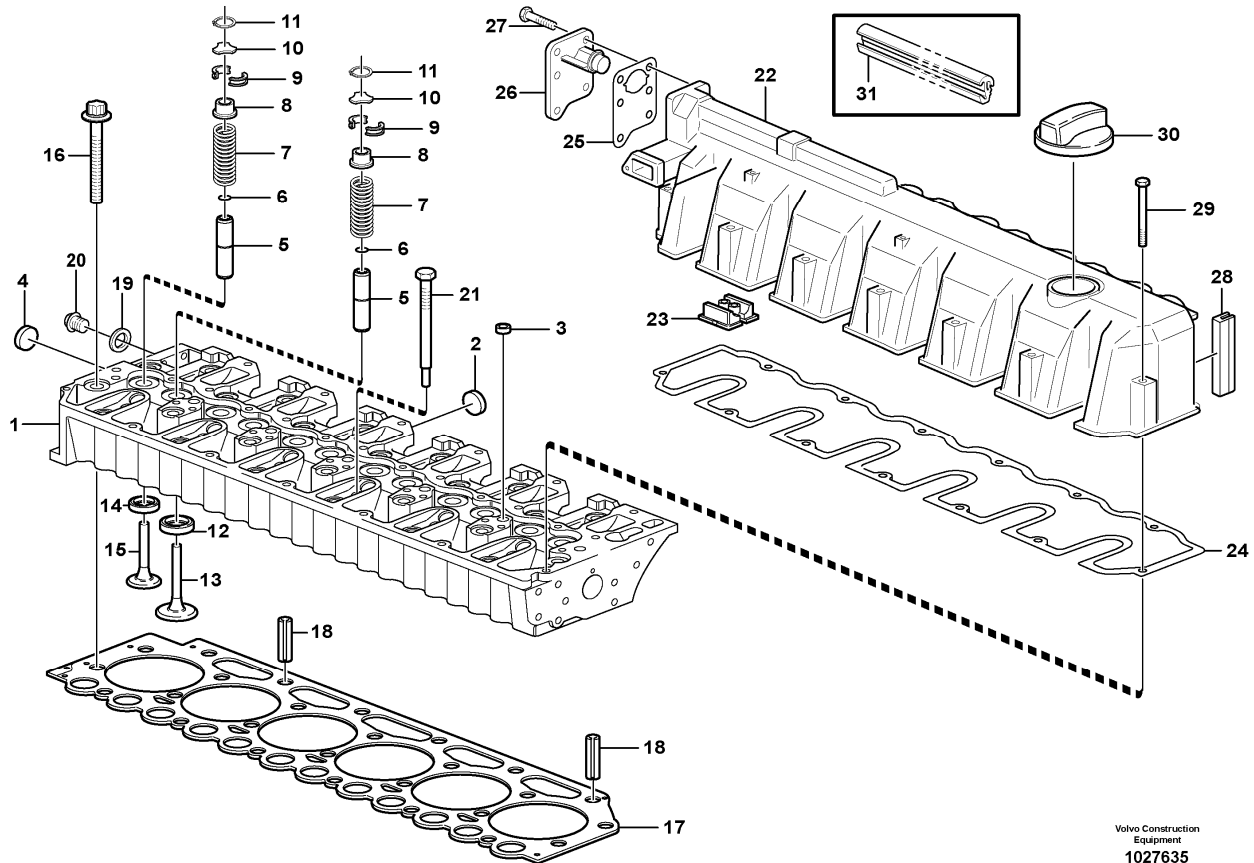
Section option	Kit	Option description
VOE8279626		Engine with Epa label EMISSION CERTIFICATED FROM EU&EPA

Q1-Q5	Option	Option description
Q1 8279626	VOE8279626	Engine with Epa label EMISSION CERTIFICATED FROM EU&EPA

Pos	Part	Q1	Q2	Q3	Q4	Q5	PS	Kit	Description	Option(s)	Remark
	VOE15011490	1							Overhaul kit		
	VOE15011483	1							•Cylinder head kit		

	VOE20865990	6							•Cyl Liner Kit		
--	-------------	---	--	--	--	--	--	--	----------------	--	--

Date: 2013/11/19	Image id: 1027635	Catalogue: 20098	Model: EC240C L
Brand: Volvo	Serial: 110001-, 120001-	Group/Section: 211/100	Title: Cylinder head



Volvo Construction
Equipment
1027635

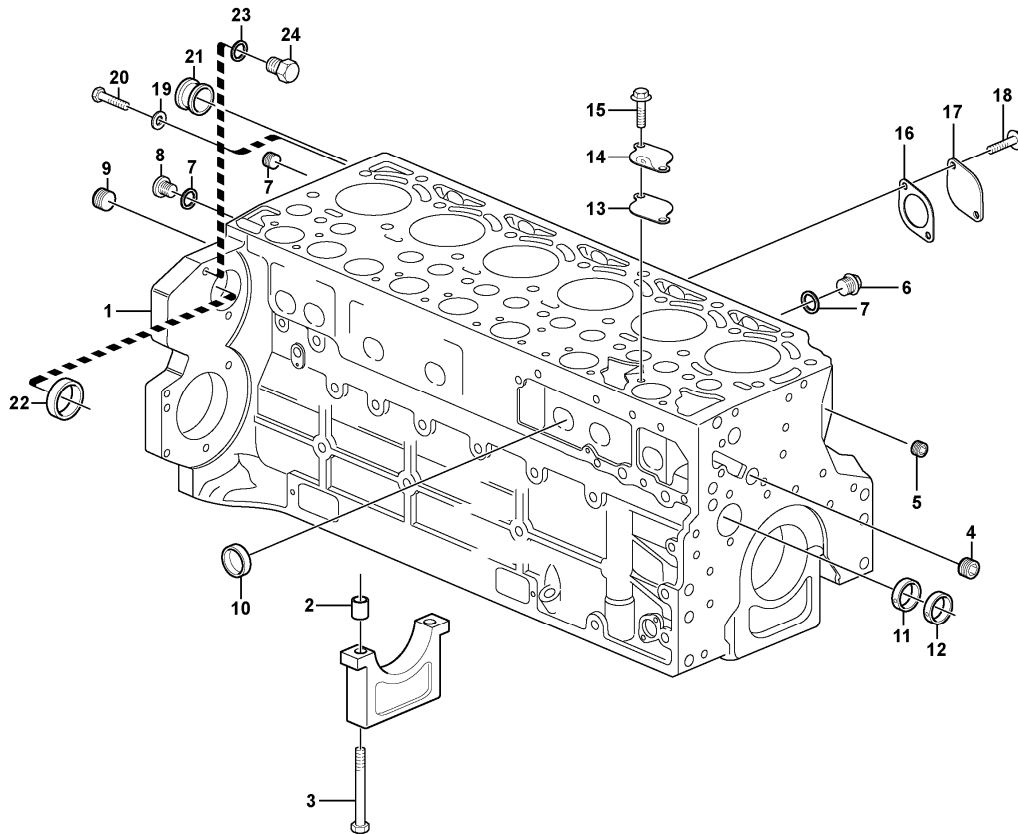
Section option	Kit	Option description
VOE8279626		Engine with Epa label EMISSION CERTIFICATED FROM EU&EPA

Q1-Q5	Option	Option description	
Q1 8279626	VOE8279626	Engine with Epa label EMISSION CERTIFICATED FROM EU&EPA	

Pos	Part	Q1	Q2	Q3	Q4	Q5	PS	Kit	Description	Option(s)	Remark
1	VOE20799762	1							Cylinder head		
2	VOE20799722	5							•Plug		
3	VOE20412733	5							•Core plug		
4	VOE20792165	2					SS		•Plug		
5	VOE20405897	12							•Valve guide		
6	VOE11700348	12							•O-ring		
7	VOE11700347	12							•Valve spring		
8	VOE20847155	12							•Retainer		
9	VOE11700345	24							•Valve sleeve		

10	VOE20840807	12							•Thrust Washer		
11	VOE20840772	12							•Snap Ring		
12	VOE20459962	6							•Valve seat		
13	VOE20758481	6							•Inlet valve		
14	VOE20845144	6							•Valve seat		
15	VOE21739130	6							•Exhaust Valve		(VOE20755883)
16	VOE11700334	26							Screw		
17	VOE20943385	1							Cyl Head Gasket		THICK=1,4MM, 1 HOLE
	VOE20949868	1							Cyl Head Gasket		THICK=1,5MM, 2 HOLE
	VOE20943389	1							Cyl Head Gasket		THICK=1,6MM, 3 HOLE
18	VOE20405521	2							Guide pin		
19	VOE13947281	1							Gasket		
20	VOE960628	1							Plug		
21	VOE20405895	6							Plug		
22	VOE21036771	1							Valve Cover		
23	VOE20412600	1							•Cap		
24	VOE20792871	1							•Gasket		
25	VOE20840801	1							•Gasket		
26	VOE20933359	1							•Oil Separator		
27	VOE20797542	6							•Screw		
28	VOE20847667	1							•Sealing		
29	VOE21145471	13							Flange screw		(VOE21037380)
30	VOE20412589	1							Filler cap		
31	VOE20996748	1							Sealing Strip		

Date: 2013/11/19	Image id: 1056314	Catalogue: 20098	Model: EC240C L
Brand: Volvo	Serial: 110001-, 120001-	Group/Section: 212/100	Title: Cylinder block



Volvo Construction
Equipment
1056314

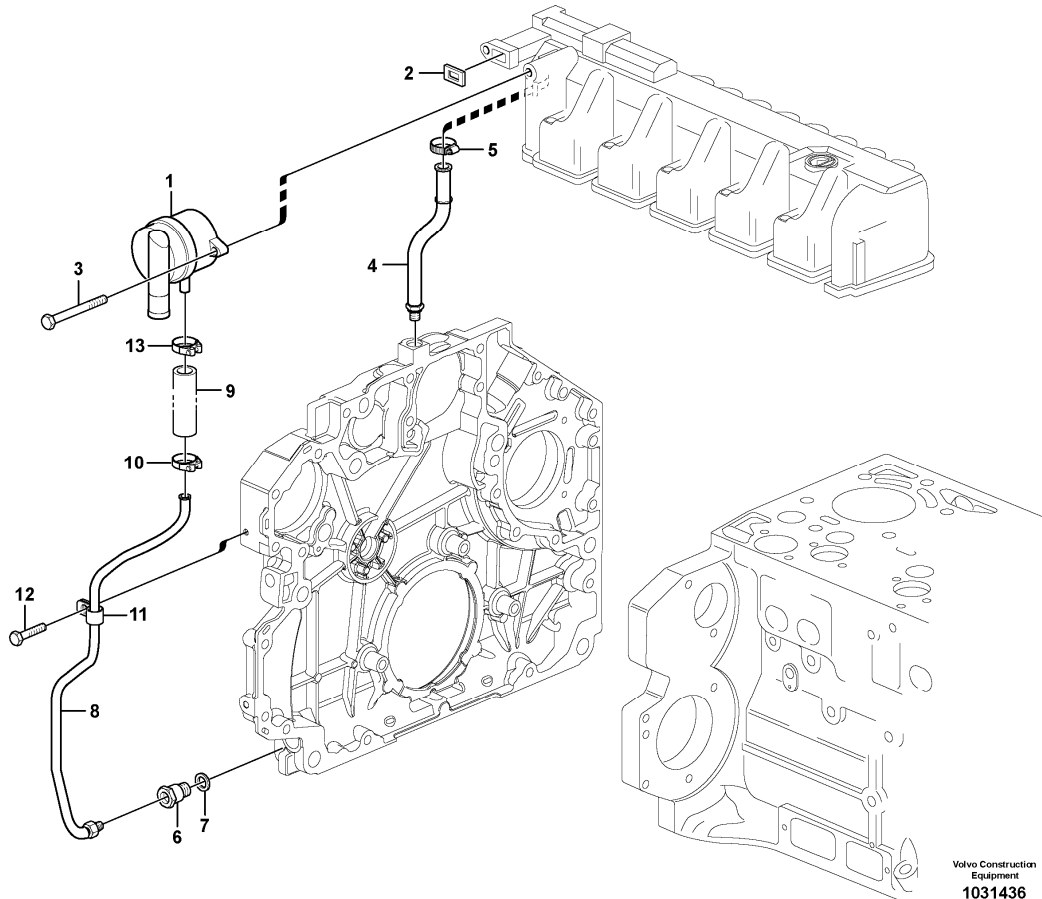
Section option	Kit	Option description
VOE8279626		Engine with Epa label EMISSION CERTIFICATED FROM EU&EPA

Q1-Q5	Option	Option description	
Q1 8279626	VOE8279626	Engine with Epa label EMISSION CERTIFICATED FROM EU&EPA	

Pos	Part	Q1	Q2	Q3	Q4	Q5	PS	Kit	Description	Option(s)	Remark
1	VOE20851922	1							Crankcase		
2	VOE11700278	14							•Bushing		
3	VOE20405583	14							•Bolt		
4	VOE20405719	1							•Plug		
5	VOE20508600	2							•Plug		
6	VOE20405716	2							•Plug		
7	VOE13969011	3							•Gasket		
8	VOE945065	1							•Plug		
9	VOE20785813	1							•Plug		

10	VOE20405721	10							•Core plug		
11	VOE11700285	1							•Bearing bushing		
12	VOE11700284	6							•Bearing bushing		
13	VOE20933203	1							Gasket		
14	VOE20840812	1							Cover		
15	VOE20405792	2							Screw		
16	VOE20412341	1							Gasket		
17	VOE21180405	1							Flange		
18	VOE20405885	2							Screw		
19	VOE20460087	1							Washer		
20	VOE20460101	1							Screw		
21	VOE20794126	1							Bushing		
22	VOE20450778	1							Core plug		
23	VOE13947281	2							Gasket		
24	VOE20441859	2							Plug		

Date: 2013/11/19	Image id: 1031436	Catalogue: 20098	Model: EC240C L
Brand: Volvo	Serial: 110001-, 120001-	Group/Section: 212/300	Title: Crankcase ventilation



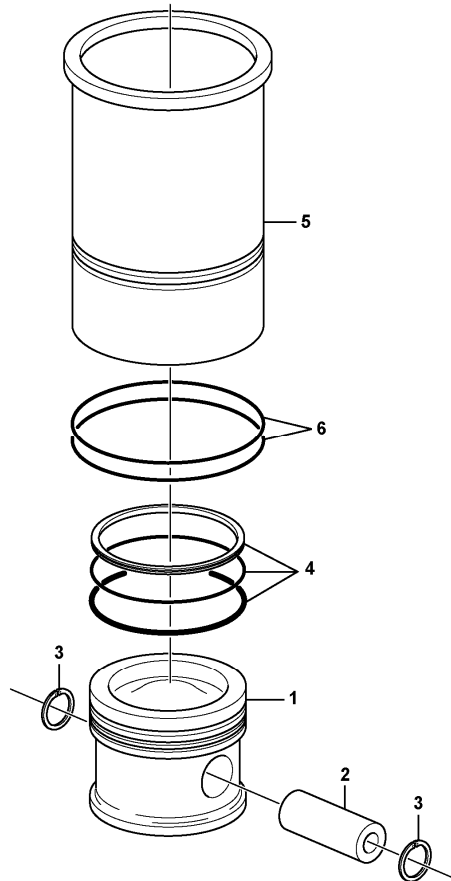
Volvo Construction
Equipment
1031436

Section option	Kit	Option description
VOE8279626		Engine with Epa label EMISSION CERTIFICATED FROM EU&EPA

Q1-Q5	Option	Option description
Q1 8278626	VOE8279626	Engine with Epa label EMISSION CERTIFICATED FROM EU&EPA

Pos	Part	Q1	Q2	Q3	Q4	Q5	PS	Kit	Description	Option(s)	Remark
1	VOE20930510	1							Pressure regulator		
2	VOE21038626	1							•Gasket		
3	VOE20405504	2							Screw		(VOE20792147)
4	VOE20820967	1							Oil Line		
5	VOE20799673	1							Hose Clamp		
6	VOE20841133	1							Dtt Regulator		
7	VOE20460026	1							Sealing ring		
8	VOE20904725	1							Oil Line		
9	VOE20821091	1					NS		•Rubber hose		

Date: 2013/11/19	Image id: 1019005	Catalogue: 20098	Model: EC240C L
Brand: Volvo	Serial: 110001-, 120001-	Group/Section: 213/100	Title: Cylinder liner and piston



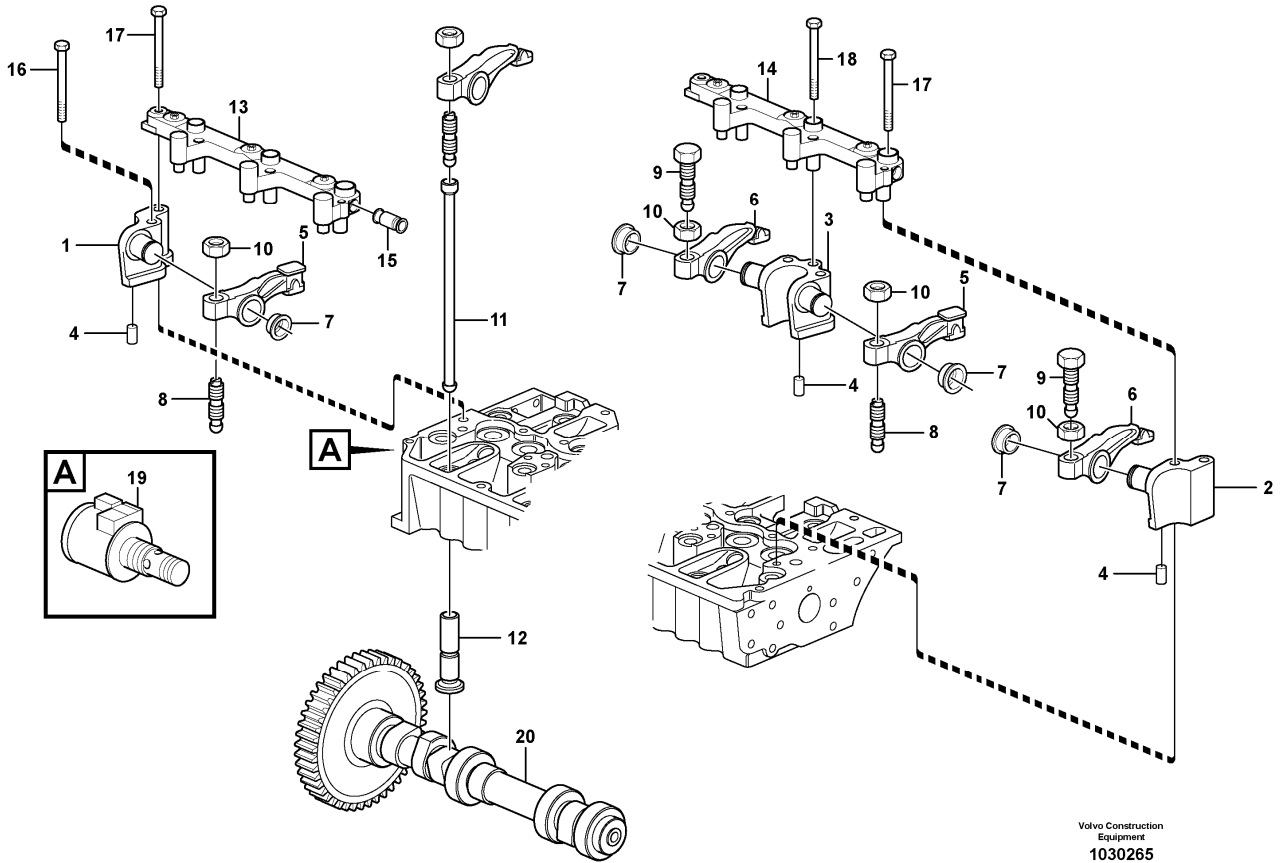
Volvo Construction
Equipment
1019005

Section option	Kit	Option description
VOE8279626		Engine with Epa label EMISSION CERTIFICATED FROM EU&EPA

Q1-Q5	Option	Option description	
Q1 8279626	VOE8279626	Engine with Epa label EMISSION CERTIFICATED FROM EU&EPA	

Pos	Part	Q1	Q2	Q3	Q4	Q5	PS	Kit	Description	Option(s)	Remark
	VOE20865990	6							Cyl Liner Kit		
1		6							•Piston		
2	VOE20405577	6							••Gudgeon pin		
3	VOE20405576	12							••Retaining ring		
4	VOE21299547	6							••Piston ring kit		(VOE20450775)
5		6							•Cylinder Liner		
6	VOE20412762	12							••O-ring		

Date: 2013/11/19	Image id: 1030265	Catalogue: 20098	Model: EC240C L
Brand: Volvo	Serial: 110001-, 120001-	Group/Section: 214/100	Title: Valve mechanism

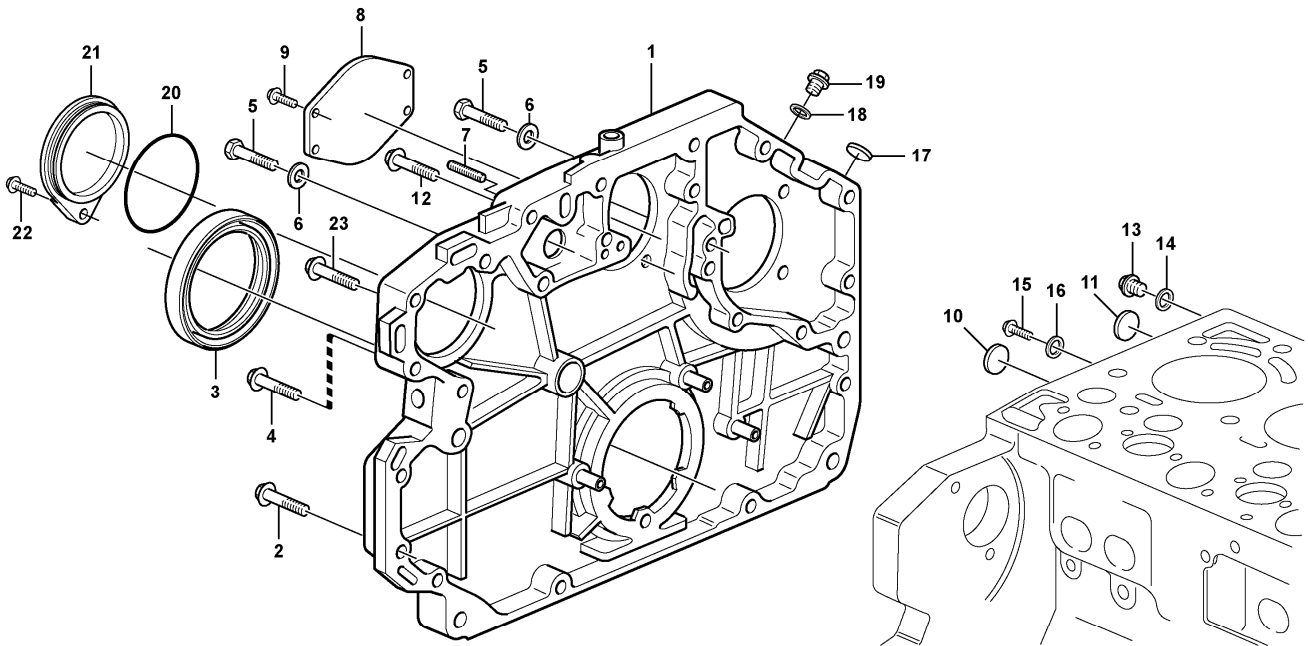


Section option	Kit	Option description
VOE8279626		Engine with Epa label EMISSION CERTIFICATED FROM EU&EPA

Q1-Q5	Option	Option description	
Q1 8279626	VOE8279626	Engine with Epa label EMISSION CERTIFICATED FROM EU&EPA	

Pos	Part	Q1	Q2	Q3	Q4	Q5	PS	Kit	Description	Option(s)	Remark
1	VOE20794124	1							Bracket		(VOE21066484)
2	VOE20826696	1							Bracket		(VOE21066474)
3	VOE20793045	5							Bracket		(VOE21066482)
4	VOE20790837	7							Pin		
5	VOE20792878	6							Rocker Arm		
6	VOE21448926	6							Rocker arm		(VOE20792876)
7	VOE20794115	12							Retaining ring		
8	VOE20913851	6							Adjusting Screw		
9	VOE20816389	6							Adjusting Screw		

Date: 2013/11/19	Image id: 1019841	Catalogue: 20098	Model: EC240C L
Brand: Volvo	Serial: 110001-, 120001-	Group/Section: 215/100	Title: Timing gear casing



Volvo Construction
Equipment
1019841

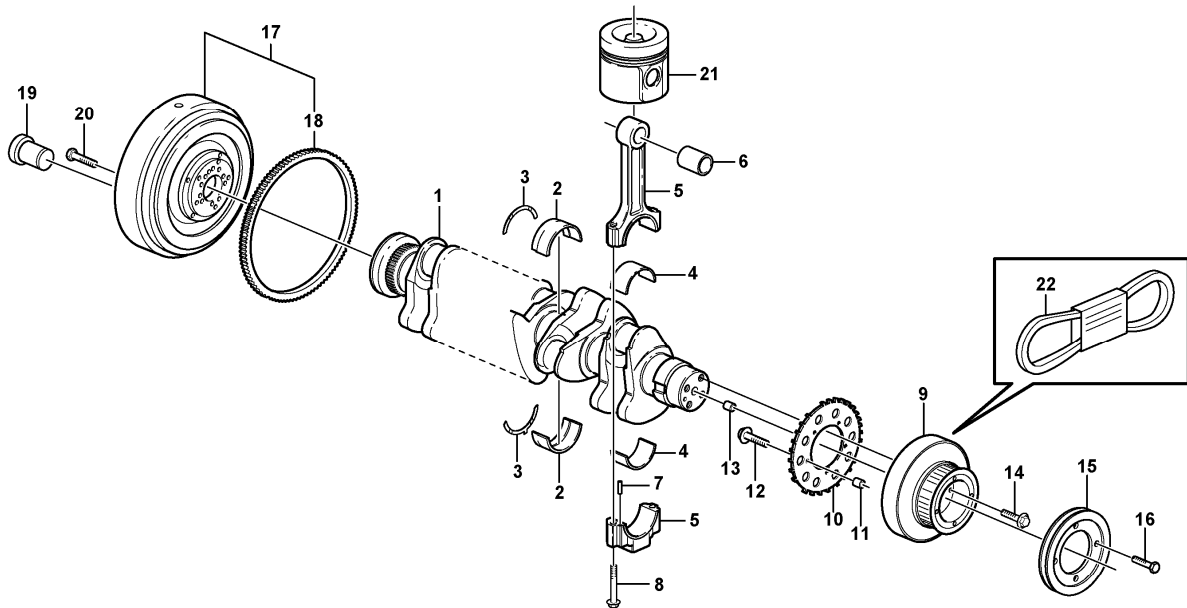
Section option	Kit	Option description
VOE8279626		Engine with Epa label EMISSION CERTIFICATED FROM EU&EPA

Q1-Q5	Option	Option description	
Q1 8279626	VOE8279626	Engine with Epa label EMISSION CERTIFICATED FROM EU&EPA	

Pos	Part	Q1	Q2	Q3	Q4	Q5	PS	Kit	Description	Option(s)	Remark
1	VOE20972356	1							Timing gear casing		
2	VOE20412324	12							Screw		
3	VOE20412286	1							Sealing ring		
4	VOE20405709	4							Screw		
5	VOE20534597	2							Screw		
6	VOE13955900	2							Washer		
7	VOE20450795	1							Set screw		
8	VOE20450799	1							Cover		
9	VOE20405709	4							Screw		

10	VOE20412745	1							Core plug		
11	VOE20490808	1							Cover		
12	VOE20450801	1							Screw		
13	VOE20451012	1							Screw		
14	VOE13947621	1							Plane gasket		
15	VOE20405898	1							Screw		
16	VOE20460087	1							Washer		
17	VOE20405605	1							Cover		
18	VOE13947621	1							Plane gasket		
19	VOE20451012	1							Screw		
20	VOE20405652	1							Sealing ring		
21	VOE20950063	1							Cover		
22	VOE20450802	1							Screw		
23	VOE20405709	1							Screw		

Date: 2013/11/19	Image id: 1019575	Catalogue: 20098	Model: EC240C L
Brand: Volvo	Serial: 110001-, 120001-	Group/Section: 216/100	Title: Crankshaft and related parts



Volvo Construction
Equipment
1019575

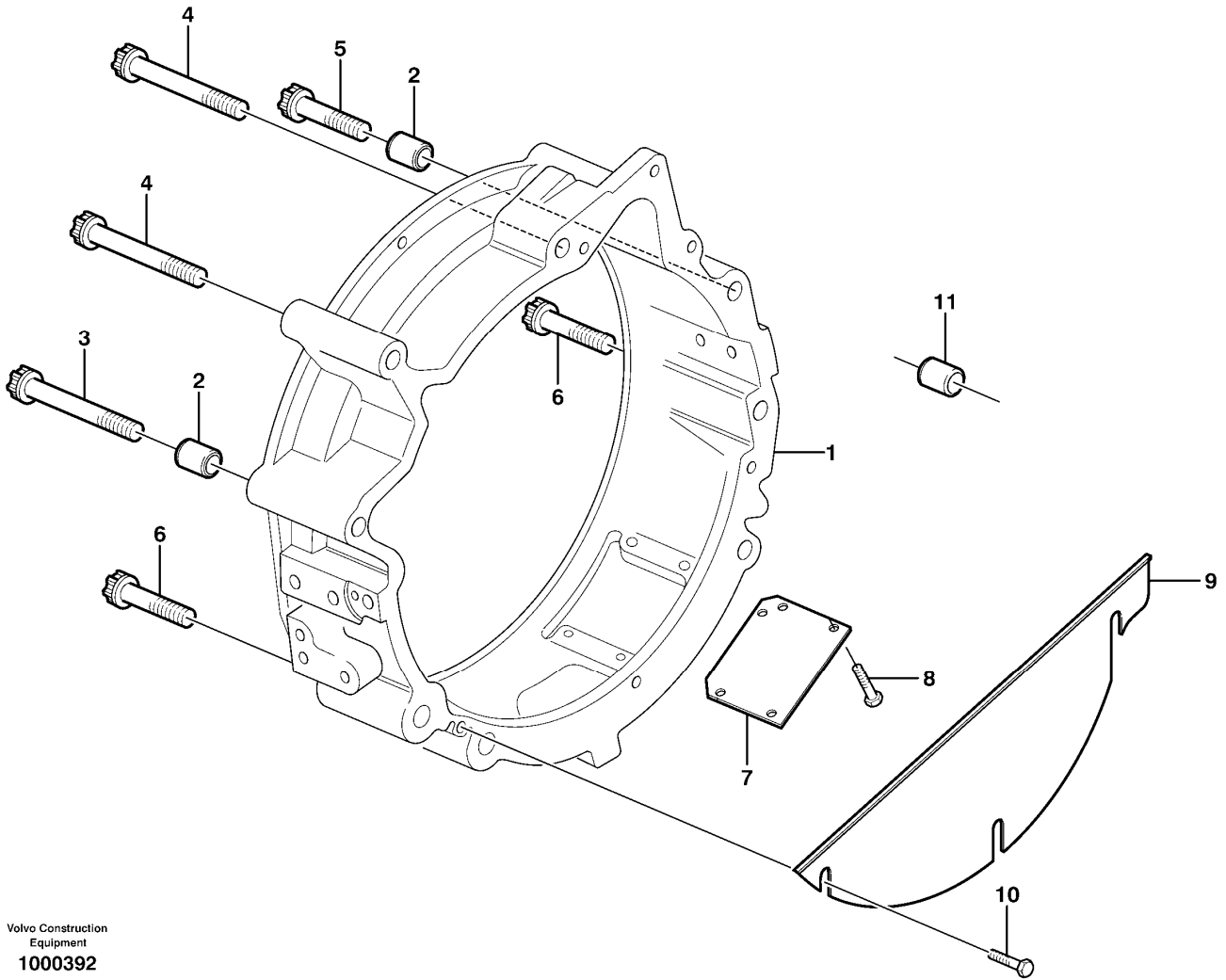
Section option	Kit	Option description
VOE8279626		Engine with Epa label EMISSION CERTIFICATED FROM EU&EPA

Q1-Q5	Option	Option description
Q1 8279626	VOE8279626	Engine with Epa label EMISSION CERTIFICATED FROM EU&EPA

Pos	Part	Q1	Q2	Q3	Q4	Q5	PS	Kit	Description	Option(s)	Remark
1	VOE21245957	1							Crankshaft		(VOE20875042)
2	VOE21141948	7							Main bearing		(VOE20405516)STD = 85.00mm
	VOE21234191	REQ							Main bearing		(VOE20405529)U SZ = 84.75mm
	VOE20405541	REQ							Main bearing		U SZ = 84.50mm
3	VOE21141955	1							Raceway washer		STD = 2.9mm
	VOE21141963	REQ							Raceway washer		(VOE11700315)O SZ = 3.1mm
4	VOE20766790	6							Big-end Bearing		STD = 68.00mm

	VOE20790423	REQ							Big-end Bearing		U SZ = 67.75mm
	VOE20790428	REQ							Big-end Bearing		U SZ = 67.50mm
5	VOE20585982	6							Connecting Rod		
6	VOE11700325	6							•Bushing		
7	VOE20459134	12							•Pin		
8	VOE11700326	12							•Bolt		
9	VOE20798543	1							Vibration Dampe		
10	VOE20798548	1							•Lock Washer		
11	VOE20450628	1							•Pin		
12	VOE20798554	5							•Bolt		
13	VOE20450838	1							Pin		
13	VOE20405634	1							Spring pin		
14	VOE20405724	4							Screw		
15	VOE20459155	1							Pulley		
16	VOE20459156	4							Screw		
17	VOE20527044	1							Flywheel		
18	VOE21033328	1							•Gear Ring		
19	VOE20405643	5							Plug		
20	VOE20405654	10							Bolt		
21		6							Piston Kit		See ref 213/100
22		1							V-ribbed Belt		See ref 263/100

Date: 2013/11/19	Image id: 1000392	Catalogue: 20098	Model: EC240C L
Brand: Volvo	Serial: 110001-, 120001-	Group/Section: 216/200	Title: Flywheel housing



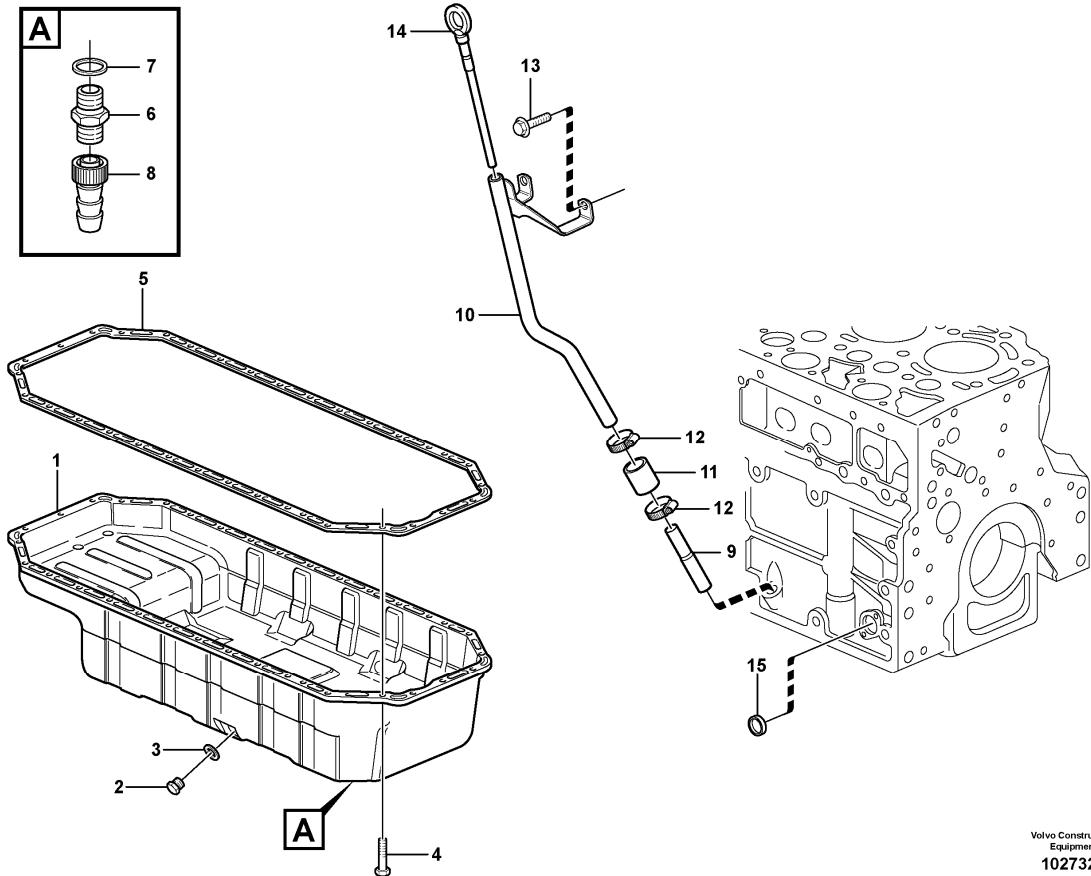
Volvo Construction
Equipment
1000392

Section option	Kit	Option description
VOE8279626		Engine with Epa label EMISSION CERTIFICATED FROM EU&EPA

Q1-Q5	Option	Option description
Q1 8279626	VOE8279626	Engine with Epa label EMISSION CERTIFICATED FROM EU&EPA

Pos	Part	Q1	Q2	Q3	Q4	Q5	PS	Kit	Description	Option(s)	Remark
1	VOE20450790	1							Flywheel housing		
2	VOE20405887	2							Bushing		(VOE11700592)
3	VOE20405714	1							Screw		
4	VOE20405715	2							Screw		
5	VOE20405713	1							Screw		

Date: 2013/11/19	Image id: 1027325	Catalogue: 20098	Model: EC240C L
Brand: Volvo	Serial: 110001-, 120001-	Group/Section: 217/100	Title: Oil sump



Volvo Construction
Equipment
1027325

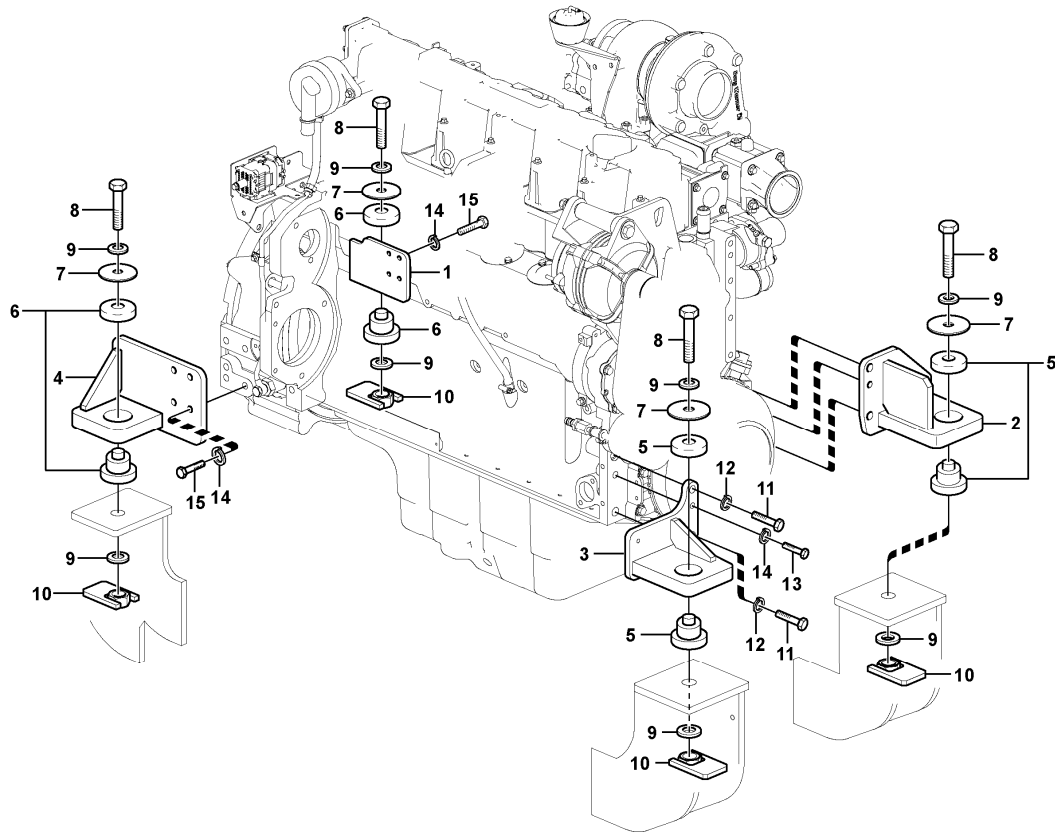
Section option	Kit	Option description
VOE8279626		Engine with Epa label EMISSION CERTIFICATED FROM EU&EPA

Q1-Q5	Option	Option description	
Q1 8279626	VOE8279626	Engine with Epa label EMISSION CERTIFICATED FROM EU&EPA	

Pos	Part	Q1	Q2	Q3	Q4	Q5	PS	Kit	Description	Option(s)	Remark
1	VOE20820918	1							Oil Pan		(VOE21099682)
2	VOE20460024	2							•Plug		
3	VOE20460026	2							•Sealing ring		
4	VOE20405792	34							Screw		
5	VOE20405915	1							Gasket		
6	VOE20450851	1							Drain valve		
7	VOE13947624	1							Plane gasket		
8	VOE20478246	1							Hose		
9	VOE20450869	1							Guide tube		

10	VOE21001185	1							Guide Tube		
11	VOE20450861	1							Sleeve		
12	VOE20405664	2							Clip		
13	VOE20405729	2							Screw		
14	VOE21184833	1							Dipstick		(VOE20450877)
15	VOE20412745	1							Core plug		

Date: 2013/11/19	Image id: 1022105	Catalogue: 20098	Model: EC240C L
Brand: Volvo	Serial: 110001-, 120001-	Group/Section: 218/100	Title: Engine mount



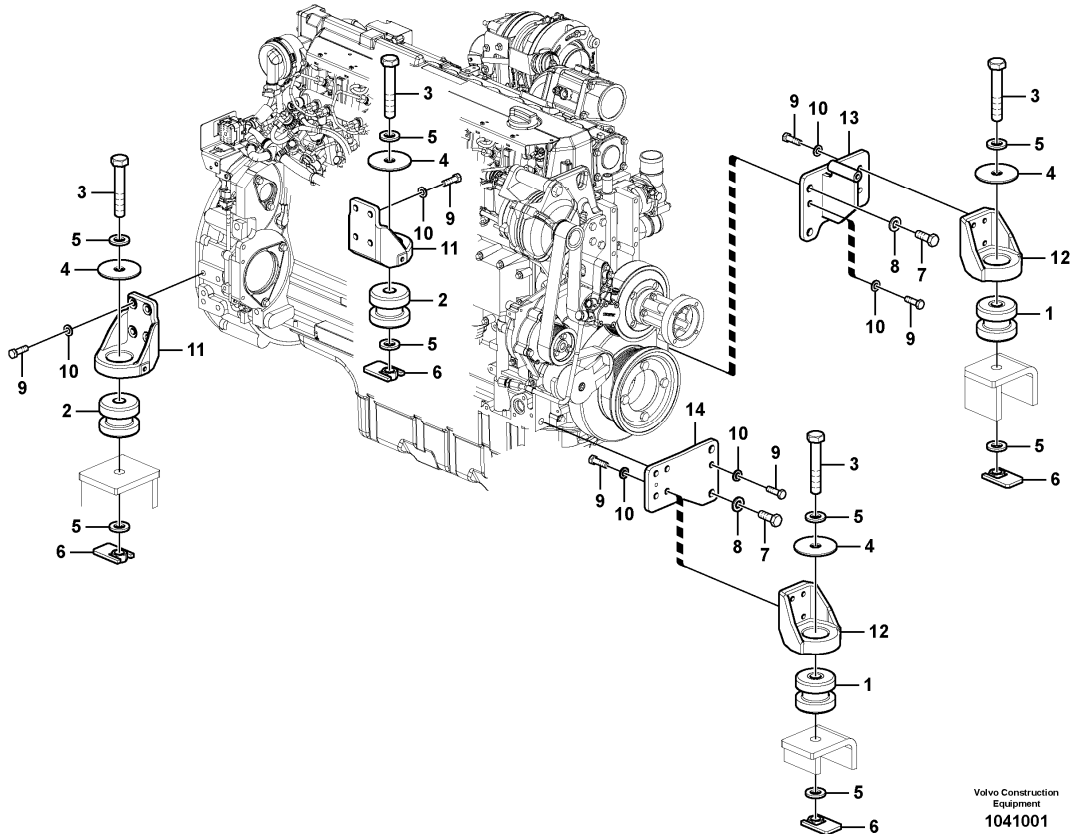
Volvo Construction
Equipment
1022105

Section option	Kit	Option description
VOE8287584		Basic Machine EC240C

Q1-Q5	Option	Option description	
Q1 8287584 S/N -110870	VOE8287584	Basic Machine EC240C	

Pos	Part	Q1	Q2	Q3	Q4	Q5	PS	Kit	Description	Option(s)	Remark
1	VOE14537425	1							Bracket		
2	VOE14531495	1							Bracket		
3	VOE14531496	1							Bracket		
4	VOE14537426	1							Bracket		
5	VOE14528380	2							Cushion		
6	VOE14528381	2							Cushion		
7	VOE14526169	4							Plate		
8	SA9011-22221	4							Hexagon screw		

Date: 2013/11/19	Image id: 1041001	Catalogue: 20098	Model: EC240C L
Brand: Volvo	Serial: 110001-, 120001-	Group/Section: 218/110	Title: Engine mounting



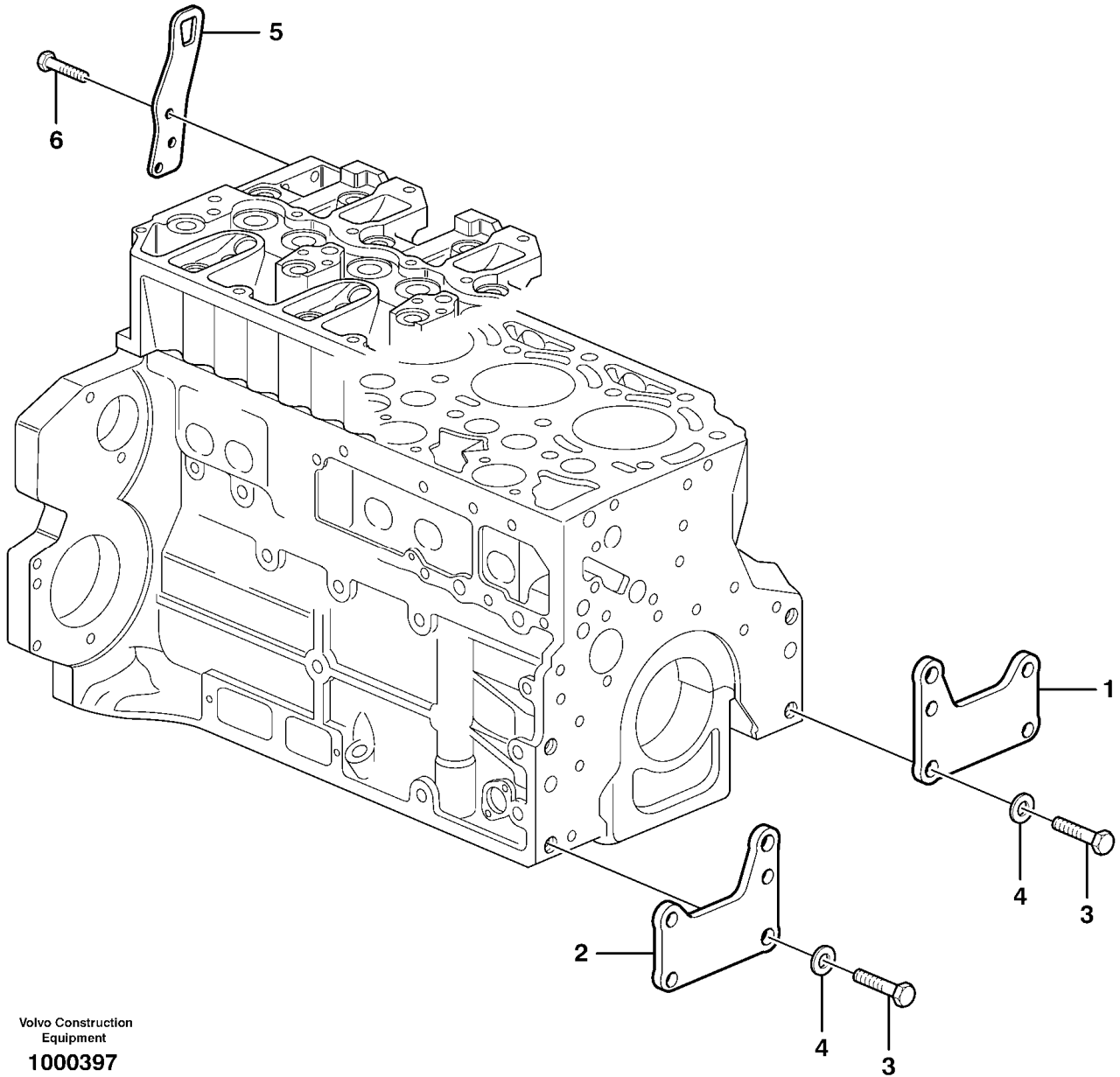
Volvo Construction
Equipment
1041001

Section option	Kit	Option description
VOE8287584		Basic Machine EC240C

Q1-Q5	Option	Option description	
Q1 8287584 S/N 110871-	VOE8287584	Basic Machine EC240C	

Pos	Part	Q1	Q2	Q3	Q4	Q5	PS	Kit	Description	Option(s)	Remark
1	VOE14528380	2							Cushion		
2	VOE14528381	2							Cushion		
3	VOE992992	4							Screw		
4	VOE14526169	4							Plate		
5	VOE9211-22000	8							Lifting eye		
6	VOE14512933	4							Nut		
7	VOE978937	4							Hexagon screw		
8	VOE992045	4							Plain washer		

Date: 2013/11/19	Image id: 1000397	Catalogue: 20098	Model: EC240C L
Brand: Volvo	Serial: 110001-, 120001-	Group/Section: 218/200	Title: Engine mounting



Section option	Kit	Option description
VOE8279626		Engine with Epa label EMISSION CERTIFICATED FROM EU&EPA

Q1-Q5	Option	Option description
Q1 8279626	VOE8279626	Engine with Epa label EMISSION CERTIFICATED FROM EU&EPA

Pos	Part	Q1	Q2	Q3	Q4	Q5	PS	Kit	Description	Option(s)	Remark
1	VOE20723978	1							Bracket		

Thank you so much for reading.
Please click the “Buy Now!”
button below to download the
complete manual.



After you pay.

You can download the most
perfect and complete manual in
the world immediately.

Our support email:

ebooklibonline@outlook.com