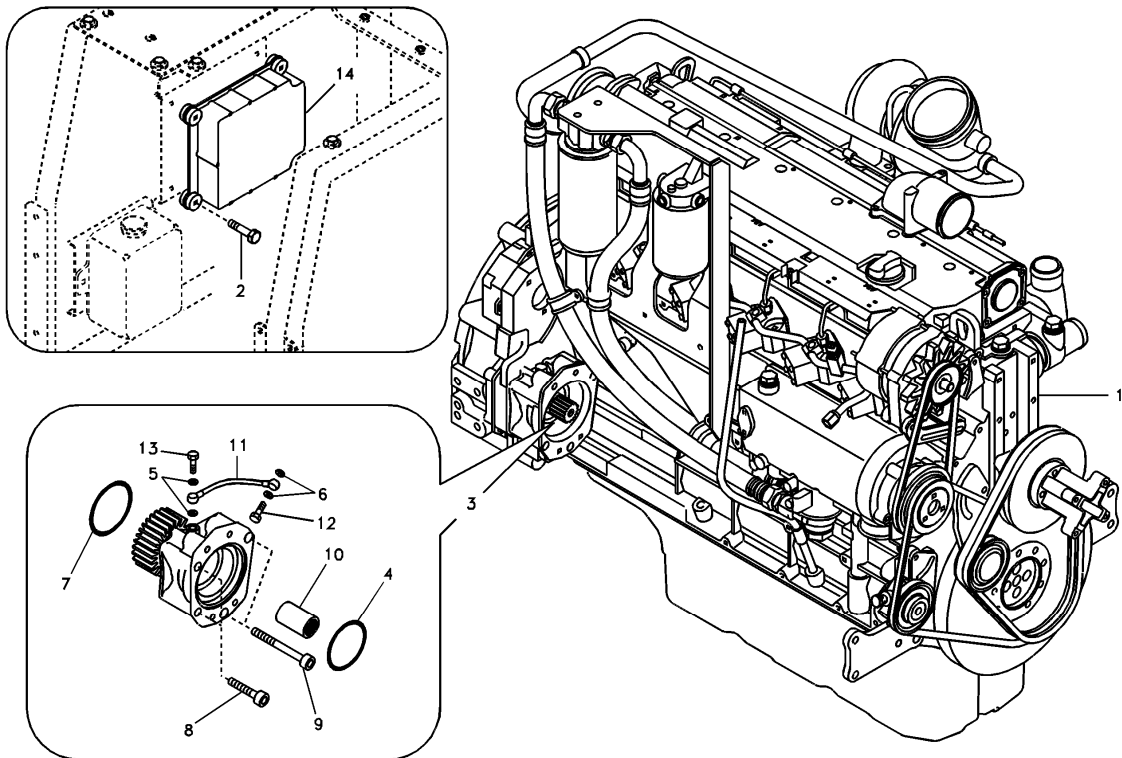


Date: <b>2013/11/22</b>	Image id: <b>1015396</b>	Catalogue: <b>20078</b>	Model: <b>EC290B LC</b>
Brand: <b>Volvo</b>	Serial: <b>13562-17000, 30290-35000, 80001-85000</b>	Group/Section: <b>210/100</b>	Title: <b>Engine</b>



Volvo Construction  
Equipment  
1015396

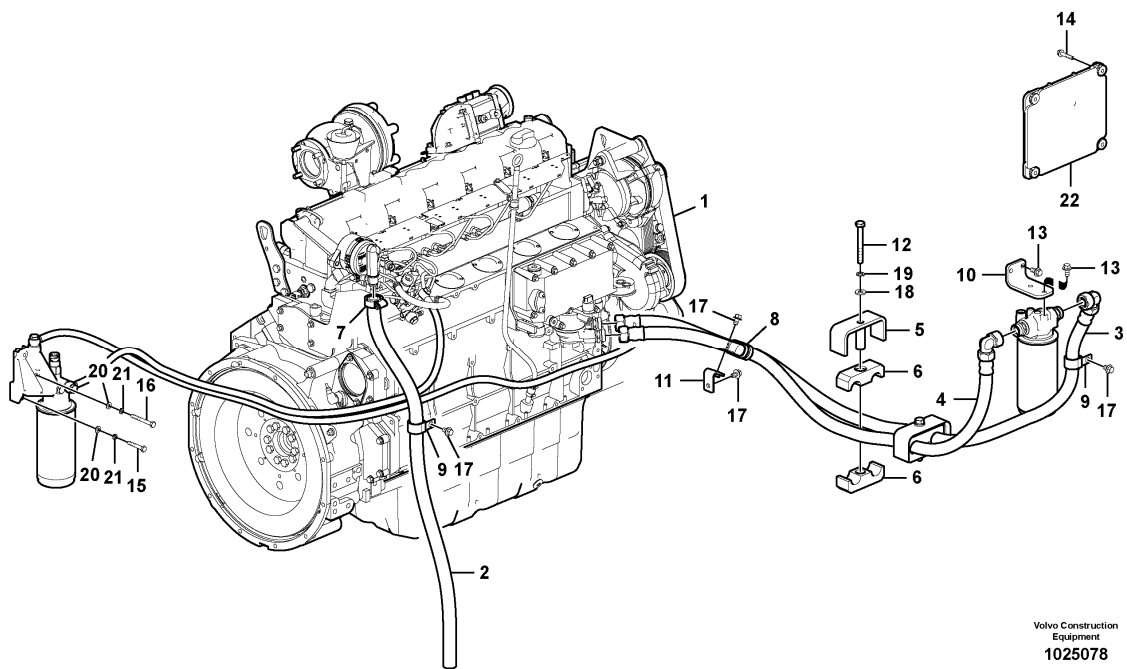
Section option	Kit	Option description
VOE8277459		Basic Machine EC290B
VOE8277541	VOE14515977	Leak-off line for slope-rotator on basic machine
VOE8278906		Engine with Epa label EMISSION CERTIFICATED FROM EPA
VOE8278907		Engine with Eu label EMISSION CERTIFICATED FROM EU
VOE8278908		Engine without Epa label INT AND KOREAN MARKET

Q1-Q5	Option	Option description	
Q1 8277459 S/N -10972	VOE8277459	Basic Machine EC290B	
Q2 8278906 S/N 10973-	VOE8278906	Engine with Epa label EMISSION CERTIFICATED FROM EPA	
Q3 8278907 S/N 10973-	VOE8278907	Engine with Eu label EMISSION CERTIFICATED FROM EU	
Q4 8278908 S/N	VOE8278908	Engine without Epa label INT AND KOREAN MARKET	

10973-			
Q5 8277541	VOE8277541	Leak-off line for slope-rotator on basic machine	

Pos	Part	Q1	Q2	Q3	Q4	Q5	PS	Kit	Description	Option(s)	Remark
1	VOE14500386	1							Engine		SER NO 10001-10972
	VOE14500386		1						Engine		SER NO 10973-
	VOE14519199			1					Engine		SER NO 10973-
	VOE14519200				1				Engine		SER NO 10973-
2	VOE983245	4	4	4	4				Hexagon screw		
3	VOE20478271					1			Power take-off		(VOE14510895)
4	VOE20450819					1			•O-ring		(VOE11173158)
5	VOE13947281					2			•Gasket		
6	VOE13947621					2			•Plane gasket		
7	VOE20450818					1			•O-ring		
8	VOE20450820					2			•Screw		E PROD ENG - 2007/02
8	VOE21077470					2			•Screw		L PROD ENG 2007/03 -
9	VOE20450821					2			•Screw		
10	VOE20459123					1			•Sleeve		
11	VOE20450980					1			•Oil line		
12	VOE7025167					1			•Hollow screw		(VOE20460231)
13	VOE20460289					1			•Hollow screw		
14	VOE20577135	1	1	1	1		SS		ECU		

Date: <b>2013/11/22</b>	Image id: <b>1025078</b>	Catalogue: <b>20078</b>	Model: <b>EC290B LC</b>
Brand: <b>Volvo</b>	Serial: <b>13562-17000, 30290-35000, 80001-85000</b>	Group/Section: <b>210/110</b>	Title: <b>Engine</b>



Volvo Construction  
Equipment  
1025078

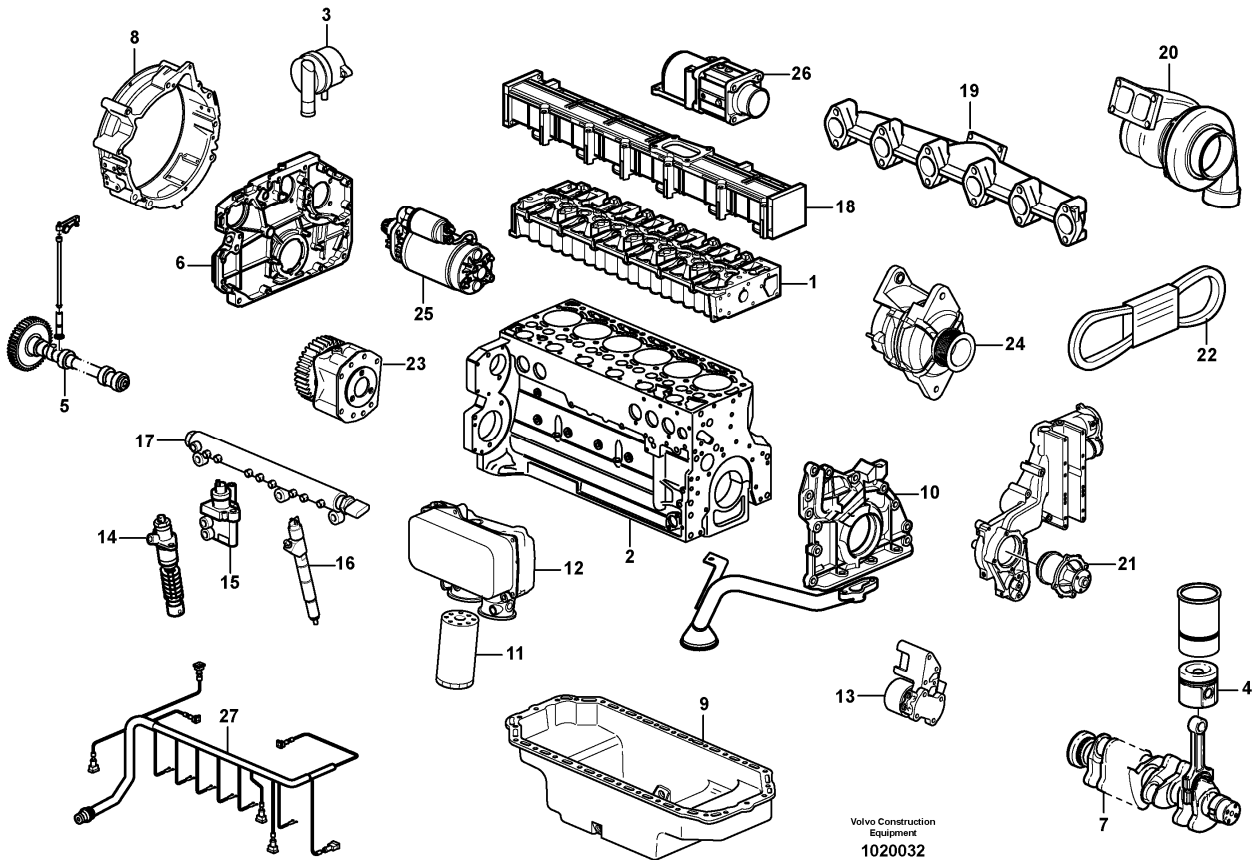
Section option	Kit	Option description
VOE8279534		Engine with Epa label EMISSION CERTIFICATED FROM EU&EPA

Q1-Q5	Option	Option description	
Q1 8279534 S/N 80001-	VOE8279534	Engine with Epa label EMISSION CERTIFICATED FROM EU&EPA	

Pos	Part	Q1	Q2	Q3	Q4	Q5	PS	Kit	Description	Option(s)	Remark
1	VOE14527732	1							Engine		
2	VOE14880502	1							Hose		
3	VOE14566622	1							Hose		S/N 80001-85335
	VOE14585039	1							Hose		S/N 85336-
4	VOE14566623	1							Hose		
5	VOE14545479	2							Clamp		
6	VOE14510506	4							Rubber clamp		



Date: <b>2013/11/22</b>	Image id: <b>1020032</b>	Catalogue: <b>20078</b>	Model: <b>EC290B LC</b>
Brand: <b>Volvo</b>	Serial: <b>13562-17000, 30290-35000, 80001-85000</b>	Group/Section: <b>210/200</b>	Title: <b>Engine</b>



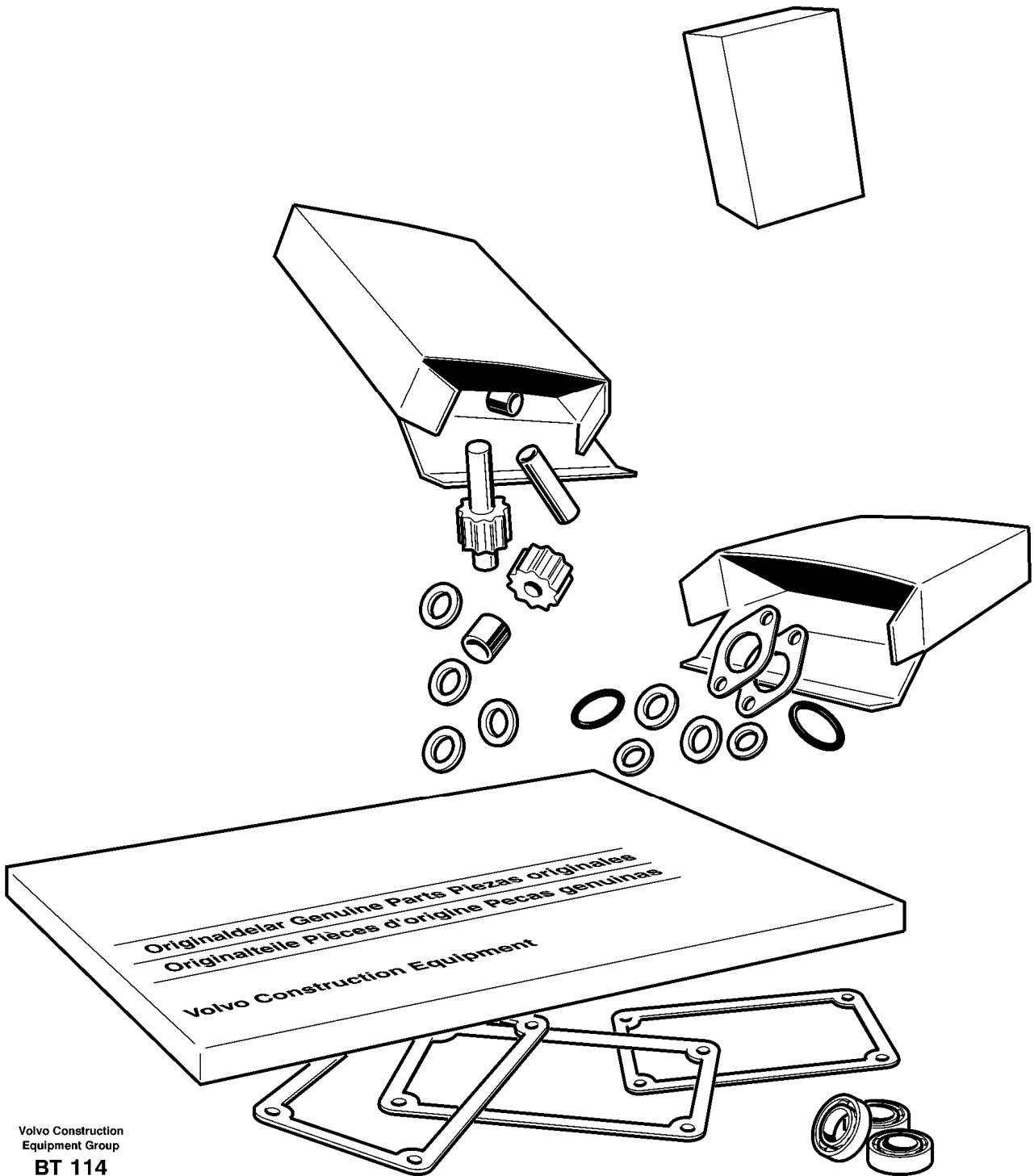
Section option	Kit	Option description
VOE8279534		Engine with Epa label EMISSION CERTIFICATED FROM EU&EPA

Q1-Q5	Option	Option description	
Q1 8279534 S/N 80001-	VOE8279534	Engine with Epa label EMISSION CERTIFICATED FROM EU&EPA	

Pos	Part	Q1	Q2	Q3	Q4	Q5	PS	Kit	Description	Option(s)	Remark
	VOE14527732								Engine		D7EEAE3
1		1							•Cylinder head		See ref 211/110
2		1							•Cylinder block		See ref 212/110
3		1							•Crankcase ventilation		See ref 212/310
4		6							•Piston		See ref 213/110
5		1							•Valve mechanism		See ref 214/110

6		1							•Timing gear casing		See ref 215/110
7		1							•Crankshaft		See ref 216/110
8		1							•Flywheel Hsg		See ref 216/210
9		1							•Oil sump		See ref 217/110
10		1							•Lubricating system		See ref 221/110
11		1							•Oil filter		See ref 222/210
12		1							•Oil cooler		See ref 223/100
13		1							•Fuel pump		See ref 233/110
14		2							•Injection pump		See ref 237/110
15		1							•Regulator		See ref 237/110
16		6							•Injector		See ref 237/110
17		1							•Rail		See ref 237/110
18		1							•Inlet pipe		See ref 251/110
19		1							•Exhaust pipe		See ref 251/110
20		1							•Turbocharger		See ref 255/110
21		1							•Coolant Pump		See ref 262/110
22		1							•V-belt		See ref 263/110
23		1							•Pump drive		See ref 263/500
24		1							•Alternator		See ref 321/310
25		1							•Starter motor		See ref 331/110
26		1							•Pre-heater		See ref 333/210
27		1							•Cable harness		See ref 371/310

Date: <b>2013/11/22</b>	Image id: <b>BT114</b>	Catalogue: <b>20078</b>	Model: <b>EC290B LC</b>
Brand: <b>Volvo</b>	Serial: <b>13562-17000, 30290-35000, 80001-85000</b>	Group/Section: <b>210/300</b>	Title: <b>Repair kits for engine</b>



Volvo Construction  
Equipment Group  
**BT 114**

Section option	Kit	Option description
----------------	-----	--------------------

VOE8277459		Basic Machine EC290B
VOE8278906		Engine with Epa label EMISSION CERTIFICATED FROM EPA
VOE8278907		Engine with Eu label EMISSION CERTIFICATED FROM EU
VOE8278908		Engine without Epa label INT AND KOREAN MARKET

Q1-Q5	Option	Option description	
Q1 8277459 S/N -10972	VOE8277459	Basic Machine EC290B	
Q2 8278906 S/N 10973-	VOE8278906	Engine with Epa label EMISSION CERTIFICATED FROM EPA	
Q3 8278907 S/N 10973-	VOE8278907	Engine with Eu label EMISSION CERTIFICATED FROM EU	
Q4 8278908 S/N 10973-	VOE8278908	Engine without Epa label INT AND KOREAN MARKET	

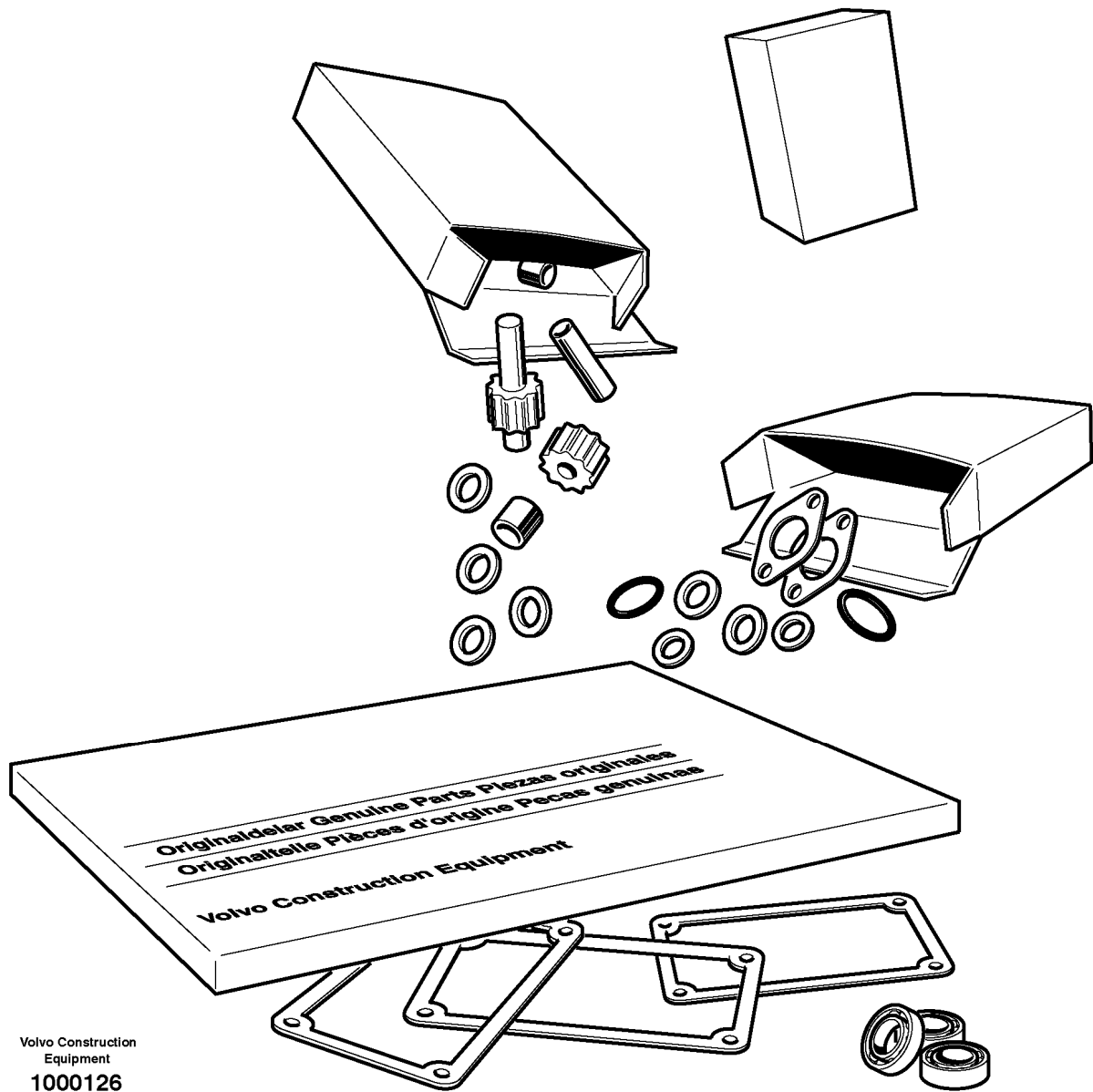
Pos	Part	Q1	Q2	Q3	Q4	Q5	PS	Kit	Description	Option(s)	Remark
	VOE11716552	1	1	1	1				Overhaul Kit		See footnote 1339)
	VOE11700284	6	6	6	6				•Bearing bushing		
	VOE11700285	1	1	1	1				•Bearing bushing		
	VOE11700426	6	6	6	6				•Sealing ring		
	VOE13947282	6	6	6	6				•Gasket		
	VOE13947621	16	16	16	16				•Plane gasket		
	VOE13947622	2	2	2	2				•Plane gasket		
	VOE13947624	1	1	1	1				•Plane gasket		
	VOE13947625	2	2	2	2				•Plane gasket		
	VOE13947628	15	15	15	15				•Plane gasket		
	VOE20405569	2	2	2	2				•Sealing		
	VOE20405578	3	3	3	3				•Sealing ring		
	VOE20405595	1	1	1	1				•Gasket		
	VOE20405599	1	1	1	1				•Sealing ring		
	VOE20405613	2	2	2	2				•Gasket		
	VOE20405691	1	1	1	1				•Gasket		
	VOE20405747	1	1	1	1				•Gasket		
	VOE20405790	1	1	1	1				•Gasket		
	VOE20405822	2	2	2	2				•Sealing ring		
	VOE20405825	1	1	1	1				•Gasket		
	VOE20405888	1	1	1	1				•Gasket		
	VOE20405915	1	1	1	1				•Gasket		
	VOE20405969	1	1	1	1				•Gasket		
	VOE20412286	1	1	1	1				•Sealing ring		
	VOE20412325	4	4	4	4				•Sealing ring		
	VOE20412343	1	1	1	1				•Sealing ring		
	VOE20412359	1	1	1	1				•Sealing ring		
	VOE20412568	2	2	2	2				•Sealing ring		
	VOE20412762	12	12	12	12				•O-ring		
	VOE20450890	2	2	2	2				•Sealing ring		
	VOE20450903	1	1	1	1				•Sealing ring		
	VOE20450993	1	1	1	1				•Sealing ring		



VOE20459065	1	1	1	1				•Sealing ring		
VOE20459904	1	1	1	1				•Sealing ring		
VOE20459961	1	1	1	1				•Sealing ring		
VOE20460026	2	2	2	2				•Sealing ring		
VOE20460073	12	12	12	12				•O-ring		
VOE20504411	6	6	6	6				•Sealing ring		
VOE20742661	1	1	1	1				•Gasket		
VOE20881400	6	6	6	6				•Shim		
VOE976929	7	7	7	7				•Gasket		
VOE11716616	1	1	1	1				•Cylinder Head K		
VOE11700348	12	12	12	12				••O-ring		
VOE20405521	2	2	2	2				••Guide pin		
VOE20405900	1	1	1	1				••Gasket		
VOE20405901	1	1	1	1				••Gasket		
VOE20405902	1	1	1	1				••Gasket		
VOE20412597	1	1	1	1				••Gasket		
VOE20405943	1	1	1	1				••Gasket		
VOE20405938	1	1	1	1				••Connector		
VOE20450675	6	6	6	6				••Pipe		
VOE20557208	6	6	6	6				••Gasket		
VOE20799731	12	12	12	12				••Washer		
VOE20505959	12	12	12	12				••Hexagon nut		
VOE20591706	6	6	6	6				••Gasket		
VOE20405970	1	1	1	1				••Gasket		
VOE20450739	1	1	1	1				••Sealing ring		
VOE20450737	1	1	1	1				••Sealing ring		
VOE20792871	1	1	1	1				••Gasket		
VOE13947281	3	3	3	3				••Gasket		
VOE20854656	6	6	6	6				•Cyl Liner Kit		
	6	6	6	6		NS		••Piston		
VOE20405577	6	6	6	6				•••Gudgeon pin		
VOE20405576	12	12	12	12				•••Retaining ring		
VOE21299547	6	6	6	6				•••Piston ring kit		
	6	6	6	6		NS		••Cylinder Liner		
VOE20412762	12	12	12	12				•••O-ring		

1339) For cylinder head

Date: <b>2013/11/22</b>	Image id: <b>1000126</b>	Catalogue: <b>20078</b>	Model: <b>EC290B LC</b>
Brand: <b>Volvo</b>	Serial: <b>13562-17000, 30290-35000, 80001-85000</b>	Group/Section: <b>210/310</b>	Title: <b>Repair kits for engine</b>

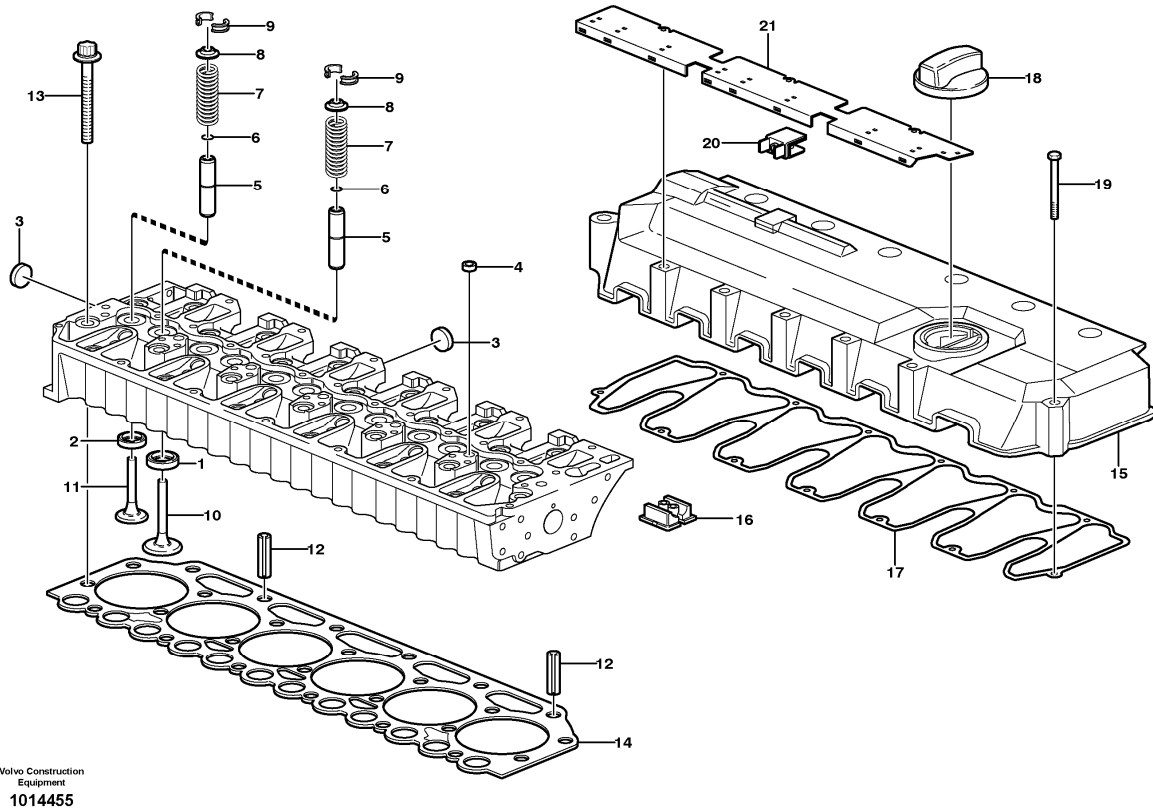


Q1-Q5	Option	Option description	
Q1 8279626 S/N 80001-	VOE8279626	Engine with Epa label EMISSION CERTIFICATED FROM EU&EPA	

Pos	Part	Q1	Q2	Q3	Q4	Q5	PS	Kit	Description	Option(s)	Remark
	VOE15011490	1							Overhaul kit		
	VOE15011483	1							•Cylinder head kit		

	VOE20865990	6							•Cyl Liner Kit		
--	-------------	---	--	--	--	--	--	--	----------------	--	--

Date: <b>2013/11/22</b>	Image id: <b>1014455</b>	Catalogue: <b>20078</b>	Model: <b>EC290B LC</b>
Brand: <b>Volvo</b>	Serial: <b>13562-17000, 30290-35000, 80001-85000</b>	Group/Section: <b>211/100</b>	Title: <b>Cylinder head</b>

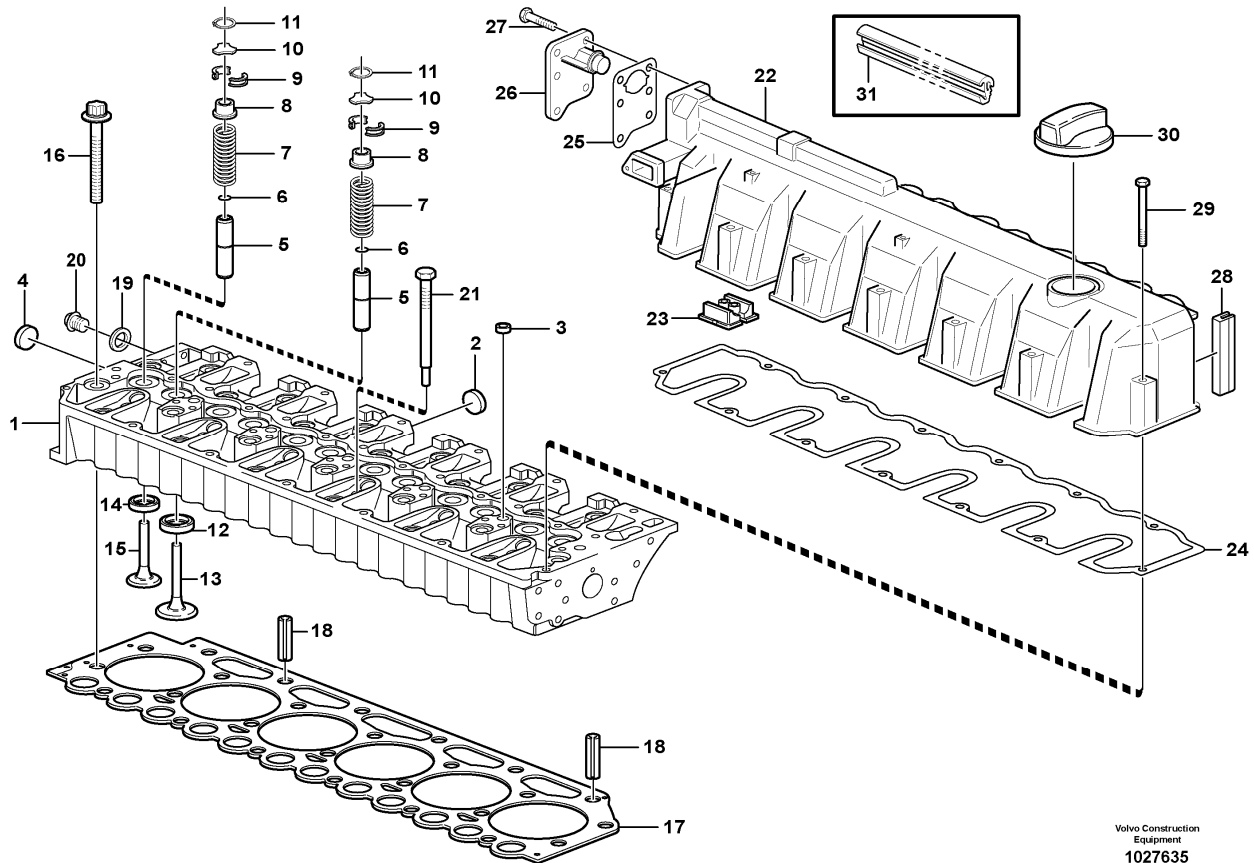


Section option	Kit	Option description
VOE8277459		Basic Machine EC290B
VOE8278906		Engine with Epa label EMISSION CERTIFICATED FROM EPA
VOE8278907		Engine with Eu label EMISSION CERTIFICATED FROM EU
VOE8278908		Engine without Epa label INT AND KOREAN MARKET

Q1-Q5	Option	Option description	
Q1 8277459 S/N -10972	VOE8277459	Basic Machine EC290B	
Q2 8278906 S/N 10973-	VOE8278906	Engine with Epa label EMISSION CERTIFICATED FROM EPA	
Q3 8278907 S/N 10973-	VOE8278907	Engine with Eu label EMISSION CERTIFICATED FROM EU	
Q4 8278908 S/N 10973-	VOE8278908	Engine without Epa label INT AND KOREAN MARKET	

Pos	Part	Q1	Q2	Q3	Q4	Q5	PS	Kit	Description	Option(s)	Remark
	VOE20489008	1	1	1	1				Cylinder head		
1	VOE20459962	6	6	6	6				•Valve seat		
2	VOE20459963	6	6	6	6				•Valve seat		
3	VOE20412745	5	5	5	5				•Core plug		
4	VOE20412733	5	5	5	5				•Core plug		(VOE11700344)
5	VOE20405897	12	12	12	12				•Valve guide		(VOE11700349)
6	VOE11700348	12	12	12	12				•O-ring		
7	VOE11700347	12	12	12	12				•Valve spring		
8	VOE11700346	12	12	12	12				•Washer		
9	VOE11700345	24	24	24	24				•Valve sleeve		
10	VOE20405502	6	6	6	6				•Inlet valve		
11	VOE20405503	6	6	6	6		SS		•Exhaust valve		
12	VOE20405521	2	2	2	2				Guide pin		
13	VOE11700334	26	26	26	26				Screw		
14	VOE20405900	1	1	1	1				Gasket		1.4 MM
	VOE20405901	1	1	1	1				Gasket		1.5 MM
	VOE20405902	1	1	1	1				Gasket		1.6 MM
15	VOE20412599	1	1				SS		Valve cover		ENG S/N -937393
	VOE20412599			1			SS		Valve cover		ENG S/N -937089
	VOE20412599				1		SS		Valve cover		ENG S/N -937065
	VOE20725338		1						Valve Cover		ENG S/N 937394-
	VOE20725338			1					Valve Cover		ENG S/N 937090-
	VOE20725338				1				Valve Cover		ENG S/N 937066-
16	VOE20412600	1	1	1	1				•Cap		
17	VOE20412597	1	1						•Gasket		ENG S/N -937393
	VOE20412597			1					•Gasket		ENG S/N -937089
	VOE20412597				1				•Gasket		ENG S/N -937065
	VOE20725316		1						•Gasket		ENG S/N 937394-
	VOE20725316			1					•Gasket		ENG S/N 937090-
	VOE20725316				1				•Gasket		ENG S/N 937066-
18	VOE20412589	1	1	1	1				•Filler cap		(VOE11700341)
19	VOE20412601	13	13	13	13				•Screw		
20	VOE20450956	1	1	1	1				Cable clamp		
21	VOE20450954	1	1	1	1				Cover plate		

Date: <b>2013/11/22</b>	Image id: <b>1027635</b>	Catalogue: <b>20078</b>	Model: <b>EC290B LC</b>
Brand: <b>Volvo</b>	Serial: <b>13562-17000, 30290-35000, 80001-85000</b>	Group/Section: <b>211/110</b>	Title: <b>Cylinder head</b>



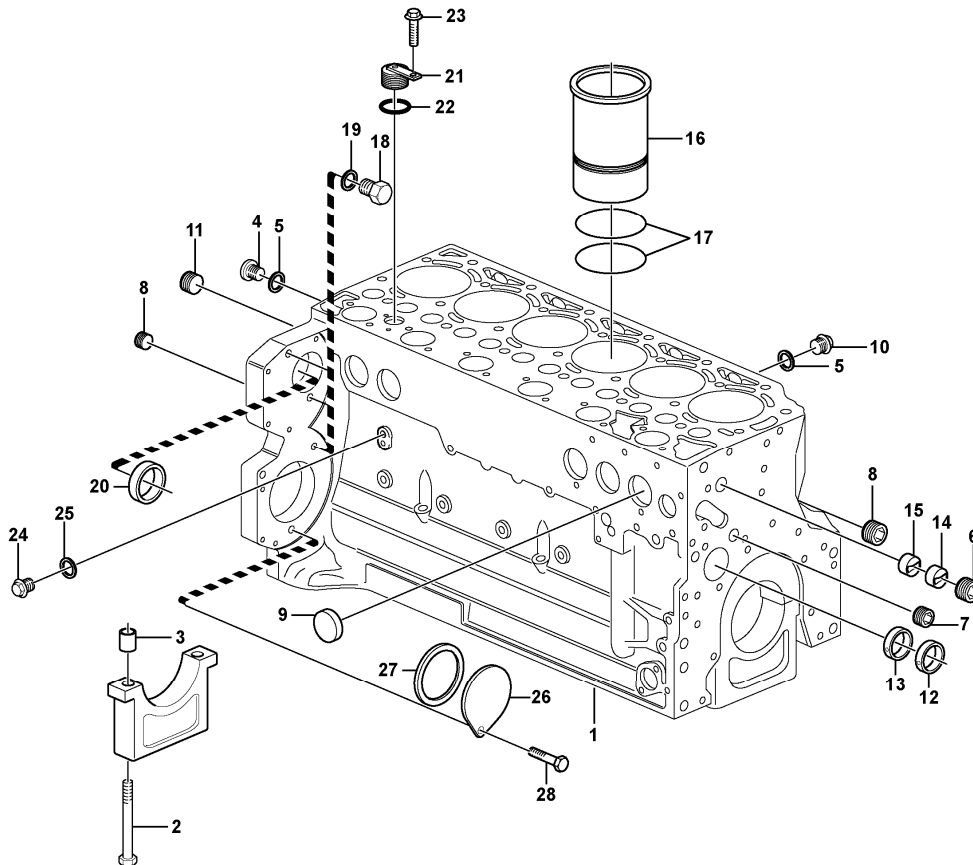
Section option	Kit	Option description
VOE8279534		Engine with Epa label EMISSION CERTIFICATED FROM EU&EPA

Q1-Q5	Option	Option description	
Q1 8279534 S/N 80001-	VOE8279534	Engine with Epa label EMISSION CERTIFICATED FROM EU&EPA	

Pos	Part	Q1	Q2	Q3	Q4	Q5	PS	Kit	Description	Option(s)	Remark
1	VOE20799762	1							Cylinder head		
2	VOE20799722	5							•Plug		
3	VOE20412733	5							•Core plug		
4	VOE20792165	2					SS		•Plug		
5	VOE20405897	12							•Valve guide		
6	VOE11700348	12							•O-ring		
7	VOE11700347	12							•Valve spring		

8	VOE20847155	12							•Retainer		
9	VOE11700345	24							•Valve sleeve		
10	VOE20840807	12							•Thrust Washer		
11	VOE20840772	12							•Snap Ring		
12	VOE20459962	6							•Valve seat		
13	VOE20758481	6							•Inlet valve		
14	VOE20845144	6							•Valve seat		
15	VOE21739130	6							•Exhaust Valve		(VOE20755883)
16	VOE11700334	26							Screw		
17	VOE20943385	1							Cyl Head Gasket		THICK=1,4MM, 1 HOLE
	VOE20949868	1							Cyl Head Gasket		THICK=1,5MM, 2 HOLE
	VOE20943389	1							Cyl Head Gasket		THICK=1,6MM, 3 HOLE
18	VOE20405521	2							Guide pin		
19	VOE13947281	1							Gasket		
20	VOE960628	1							Plug		
21	VOE20405895	6							Plug		
22	VOE21036771	1							Valve Cover		
23	VOE20412600	1							•Cap		
24	VOE20792871	1							•Gasket		
25	VOE20840801	1							•Gasket		
26	VOE20933359	1							•Oil Separator		
27	VOE20797542	6							•Screw		
28	VOE20847667	1							•Sealing		
29	VOE21145471	13							Flange screw		(VOE21037380)
30	VOE20412589	1							Filler cap		
31	VOE20996748	1							Sealing Strip		

Date: <b>2013/11/22</b>	Image id: <b>1020762</b>	Catalogue: <b>20078</b>	Model: <b>EC290B LC</b>
Brand: <b>Volvo</b>	Serial: <b>13562-17000, 30290-35000, 80001-85000</b>	Group/Section: <b>212/100</b>	Title: <b>Cylinder block</b>



Volvo Construction  
Equipment  
1020762

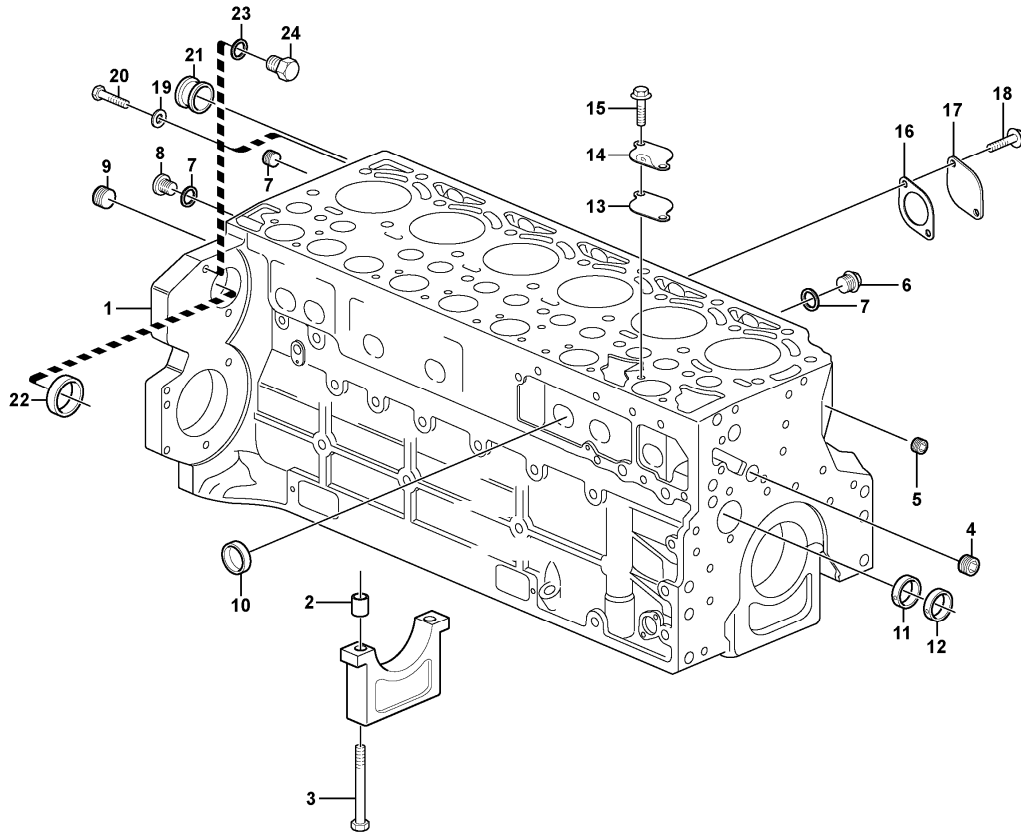
Section option	Kit	Option description
VOE8277459		Basic Machine EC290B
VOE8278906		Engine with Epa label EMISSION CERTIFICATED FROM EPA
VOE8278907		Engine with Eu label EMISSION CERTIFICATED FROM EU
VOE8278908		Engine without Epa label INT AND KOREAN MARKET

Q1-Q5	Option	Option description	
Q1 8277459 S/N -10972	VOE8277459	Basic Machine EC290B	
Q2 8278906 S/N 10973-	VOE8278906	Engine with Epa label EMISSION CERTIFICATED FROM EPA	
Q3 8278907 S/N 10973-	VOE8278907	Engine with Eu label EMISSION CERTIFICATED FROM EU	
Q4 8278908 S/N 10973-	VOE8278908	Engine without Epa label INT AND KOREAN MARKET	



Pos	Part	Q1	Q2	Q3	Q4	Q5	PS	Kit	Description	Option(s)	Remark
1	VOE20450768	1	1	1	1		SS		Crankcase		ENG SER NO -779906
	VOE20544667	1	1	1	1				Cylinder Block		ENG SER NO 779907-
2	VOE20405583	14	14	14	14				•Bolt		
3	VOE11700278	14	14	14	14				•Bushing		
4	VOE945065	2	2	2	2				•Plug		
5	VOE976929	4	4	4	4				•Gasket		
6	VOE20405717	1	1	1	1				•Plug		OD = 30 MM
7	VOE20405719	1	1	1	1				•Plug		OD = 22 MM
8	VOE20405718	2	2	2	2				•Plug		OD = 14 MM
9	VOE20405721	10	10	10	10				•Core plug		(VOE11700286)
10	VOE20405716	2	2	2	2				•Plug		
11	VOE20785813	1	1	1	1				•Plug		OD = 22 MM
12	VOE11700284	6	6	6	6				•Bearing bushing		
13	VOE11700285	1	1	1	1				•Bearing bushing		
14	VOE20405584	1	1	1	1				•Guide sleeve		
15	VOE20405906	1	1	1	1				•Guide sleeve		
16	VOE20450770	6	6	6	6				•Cylinder liner		
17	VOE20412762	12	12	12	12				••O-ring		
18	VOE20441859	3	3	3	3				Plug		(VOE20532680)
19	VOE13947281	3	3	3	3				Gasket		
20	VOE20450778	1	1	1	1				Core plug		
21	VOE20702078	1	1	1	1				Plug		ENG - 01047118
	VOE20758137	1	1	1	1				Plug		ENG 01047119 -
22	VOE20405728	1	1	1	1				•Sealing ring		
23	VOE20711881	1	1	1	1				Screw		
24	VOE20405716	1	1	1	1				Plug		
25	VOE13947621	1	1	1	1				Plane gasket		
26	VOE24426064	1	1	1	1				Cover		
27	VOE20412359	1	1	1	1				Sealing ring		
28	VOE888289	2	2	2	2				Hexagon screw		

Date: <b>2013/11/22</b>	Image id: <b>1056314</b>	Catalogue: <b>20078</b>	Model: <b>EC290B LC</b>
Brand: <b>Volvo</b>	Serial: <b>13562-17000, 30290-35000, 80001-85000</b>	Group/Section: <b>212/110</b>	Title: <b>Cylinder block</b>



Volvo Construction  
Equipment  
1056314

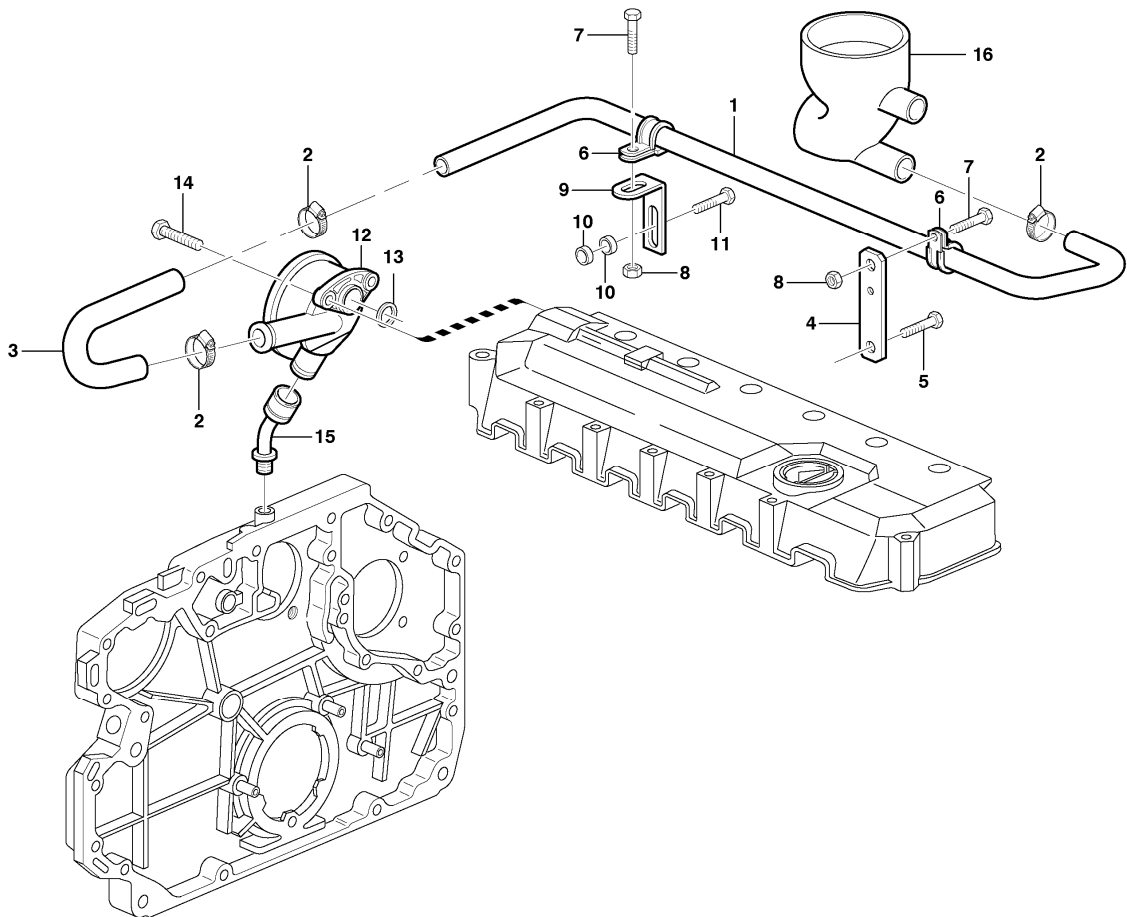
Section option	Kit	Option description
VOE8279534		Engine with Epa label EMISSION CERTIFICATED FROM EU&EPA

Q1-Q5	Option	Option description	
Q1 8279534 S/N 80001-	VOE8279534	Engine with Epa label EMISSION CERTIFICATED FROM EU&EPA	

Pos	Part	Q1	Q2	Q3	Q4	Q5	PS	Kit	Description	Option(s)	Remark
1	VOE20851922	1							Crankcase		
2	VOE11700278	14							•Bushing		
3	VOE20405583	14							•Bolt		
4	VOE20405719	1							•Plug		
5	VOE20508600	2							•Plug		
6	VOE20405716	2							•Plug		
7	VOE13969011	3							•Gasket		

8	VOE945065	1							•Plug		
9	VOE20785813	1							•Plug		
10	VOE20405721	10							•Core plug		
11	VOE11700285	1							•Bearing bushing		
12	VOE11700284	6							•Bearing bushing		
13	VOE20933203	1							Gasket		
14	VOE20840812	1							Cover		
15	VOE20405792	2							Screw		
16	VOE20412341	1							Gasket		
17	VOE21180405	1							Flange		
18	VOE20405885	2							Screw		
19	VOE20460087	1							Washer		
20	VOE20460101	1							Screw		
21	VOE20794126	1							Bushing		
22	VOE20450778	1							Core plug		
23	VOE13947281	2							Gasket		
24	VOE20441859	2							Plug		

Date: <b>2013/11/22</b>	Image id: <b>1000524</b>	Catalogue: <b>20078</b>	Model: <b>EC290B LC</b>
Brand: <b>Volvo</b>	Serial: <b>13562-17000, 30290-35000, 80001-85000</b>	Group/Section: <b>212/300</b>	Title: <b>Crankcase ventilation</b>



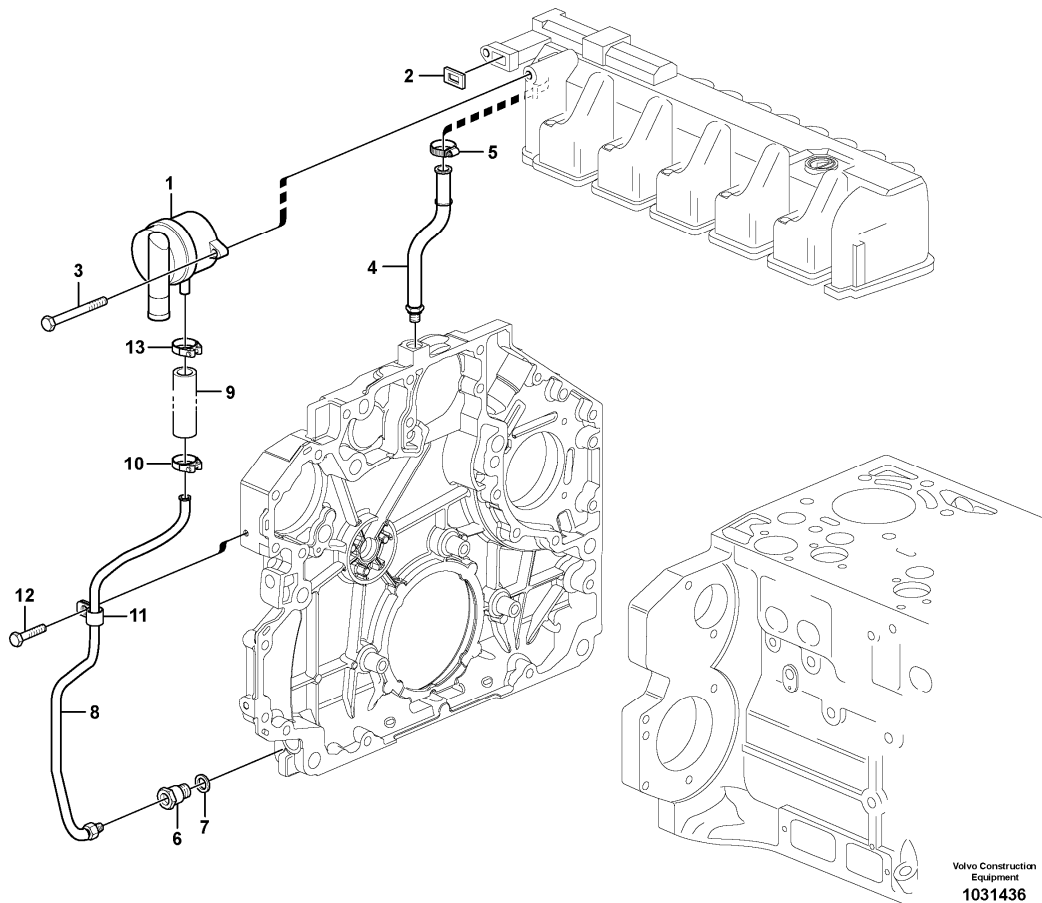
Volvo Construction  
Equipment  
1000524

Section option	Kit	Option description
VOE8277459		Basic Machine EC290B
VOE8278906		Engine with Epa label EMISSION CERTIFICATED FROM EPA
VOE8278907		Engine with Eu label EMISSION CERTIFICATED FROM EU
VOE8278908		Engine without Epa label INT AND KOREAN MARKET

Q1-Q5	Option	Option description	
Q1 8277459 S/N -10972	VOE8277459	Basic Machine EC290B	
Q2 8278906 S/N 10973-	VOE8278906	Engine with Epa label EMISSION CERTIFICATED FROM EPA	
Q3 8278907 S/N 10973-	VOE8278907	Engine with Eu label EMISSION CERTIFICATED FROM EU	
Q4 8278908 S/N 10973-	VOE8278908	Engine without Epa label INT AND KOREAN MARKET	

Pos	Part	Q1	Q2	Q3	Q4	Q5	PS	Kit	Description	Option(s)	Remark
1	VOE20498075	1	1	1	1				Breather Pipe		
2	VOE20405755	3	3	3	3				Clamping band		
3	VOE20405629	1	1	1	1				Hose		
4	VOE20450724	1	1	1	1		NS		Connecting plate		
5	VOE20412324	1	1	1	1				Screw		
6	VOE20405532	2	2	2	2				Clamp		(VOE20405532)
7	VOE20405885	2	2	2	2				Screw		
8	VOE20405733	2	2	2	2				Hexagon nut		
9	VOE20450726	1	1	1	1				Bracket		
10	VOE20450730	2	2	2	2				Bushing		
11	VOE20405792	1	1	1	1				Screw		
12	VOE20412322	1	1	1	1				Pressure regulator		
13	VOE20405943	1	1	1	1				•Gasket		
14	VOE20450728	2	2	2	2				Bolt		
15	VOE20405938	1	1	1	1				Connector		

Date: <b>2013/11/22</b>	Image id: <b>1031436</b>	Catalogue: <b>20078</b>	Model: <b>EC290B LC</b>
Brand: <b>Volvo</b>	Serial: <b>13562-17000, 30290-35000, 80001-85000</b>	Group/Section: <b>212/310</b>	Title: <b>Crankcase ventilation</b>



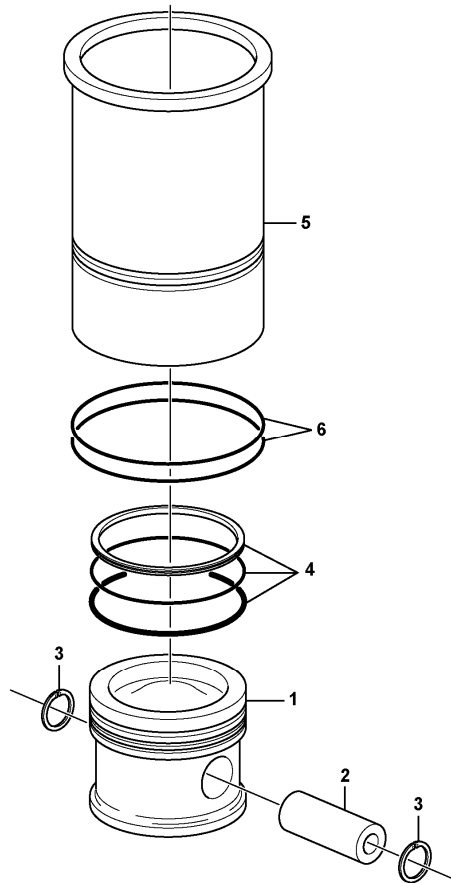
Section option	Kit	Option description
VOE8279534		Engine with Epa label EMISSION CERTIFICATED FROM EU&EPA

Q1-Q5	Option	Option description	
Q1 8279534 S/N 80001-	VOE8279534	Engine with Epa label EMISSION CERTIFICATED FROM EU&EPA	

Pos	Part	Q1	Q2	Q3	Q4	Q5	PS	Kit	Description	Option(s)	Remark
1	VOE20930510	1							Pressure regulator		
2	VOE21038626	1							•Gasket		
3	VOE20405504	2							Screw		(VOE20792147)
4	VOE20820967	1							Oil Line		
5	VOE20799673	1							Hose Clamp		
6	VOE20841133	1							Dtt Regulator		
7	VOE20460026	1							Sealing ring		



Date: <b>2013/11/22</b>	Image id: <b>1019005</b>	Catalogue: <b>20078</b>	Model: <b>EC290B LC</b>
Brand: <b>Volvo</b>	Serial: <b>13562-17000, 30290-35000, 80001-85000</b>	Group/Section: <b>213/100</b>	Title: <b>Cylinder liner and piston</b>



Volvo Construction  
Equipment  
1019005

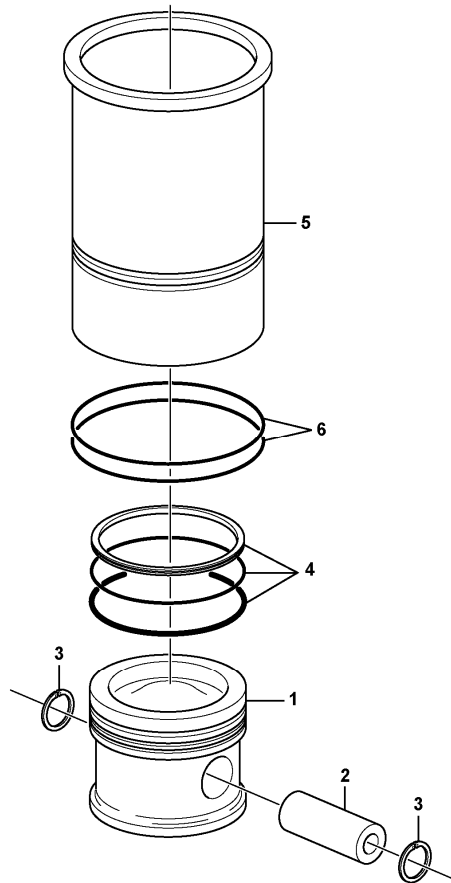
Section option	Kit	Option description
VOE8277459		Basic Machine EC290B
VOE8278906		Engine with Epa label EMISSION CERTIFICATED FROM EPA
VOE8278907		Engine with Eu label EMISSION CERTIFICATED FROM EU
VOE8278908		Engine without Epa label INT AND KOREAN MARKET

Q1-Q5	Option	Option description	
Q1 8277459 S/N -10972	VOE8277459	Basic Machine EC290B	
Q2 8278906 S/N 10973-	VOE8278906	Engine with Epa label EMISSION CERTIFICATED FROM EPA	
Q3 8278907 S/N 10973-	VOE8278907	Engine with Eu label EMISSION CERTIFICATED FROM EU	
Q4 8278908 S/N 10973-	VOE8278908	Engine without Epa label INT AND KOREAN MARKET	



Pos	Part	Q1	Q2	Q3	Q4	Q5	PS	Kit	Description	Option(s)	Remark
	VOE20854656	6	6	6	6				Cyl Liner Kit		
1		6	6	6	6		NS		•Piston		
2	VOE20405577	6	6	6	6				••Gudgeon pin		
3	VOE20405576	12	12	12	12				••Retaining ring		
4	VOE21299547	6	6	6	6				••Piston ring kit		
5		6	6	6	6		NS		•Cylinder Liner		
6	VOE20412762	12	12	12	12				••O-ring		

Date: <b>2013/11/22</b>	Image id: <b>1019005</b>	Catalogue: <b>20078</b>	Model: <b>EC290B LC</b>
Brand: <b>Volvo</b>	Serial: <b>13562-17000, 30290-35000, 80001-85000</b>	Group/Section: <b>213/110</b>	Title: <b>Cylinder liner and piston</b>



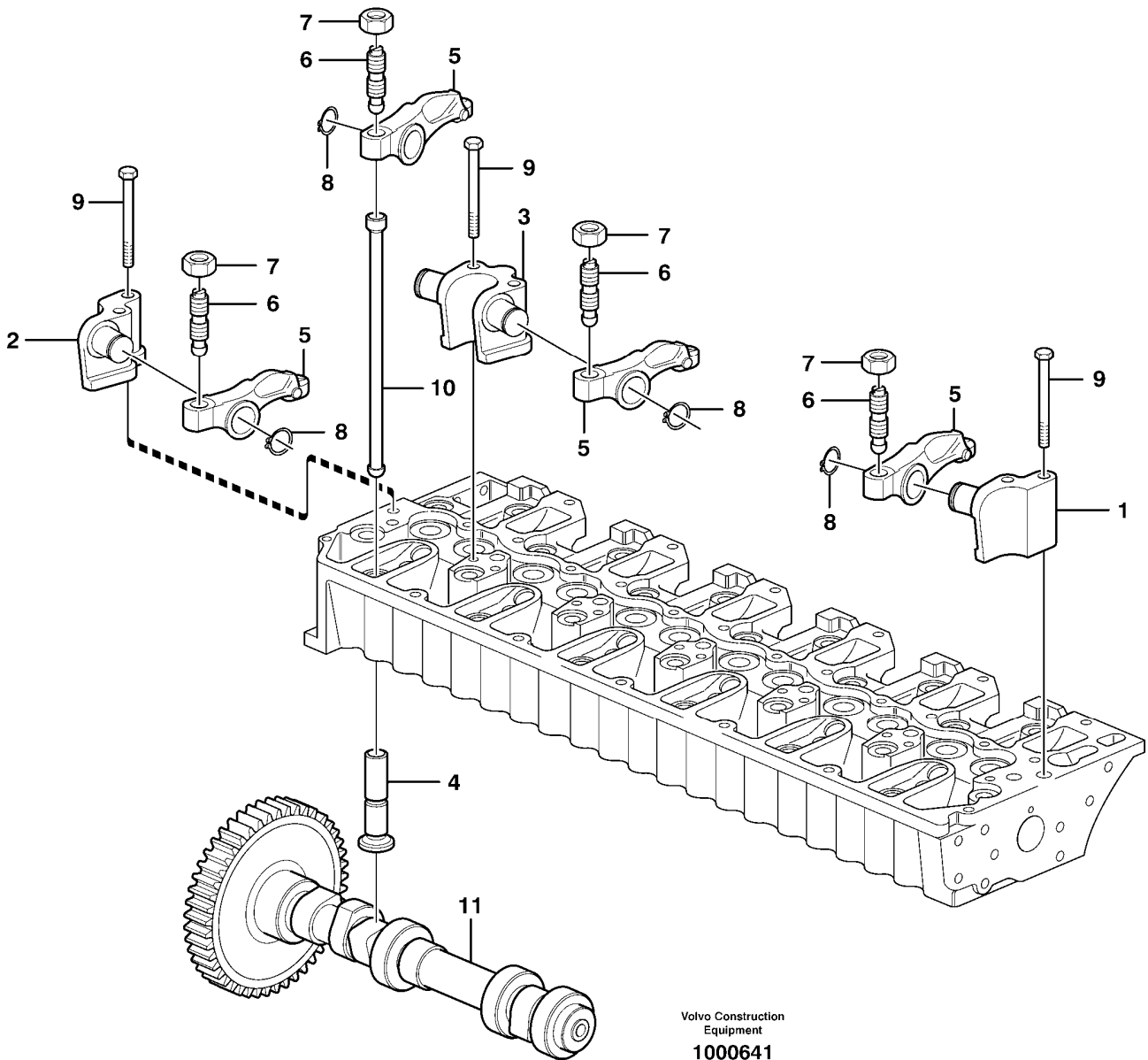
Volvo Construction  
Equipment  
1019005

Section option	Kit	Option description
VOE8279534		Engine with Epa label EMISSION CERTIFICATED FROM EU&EPA

Q1-Q5	Option	Option description	
Q1 8279534 S/N 80001-	VOE8279534	Engine with Epa label EMISSION CERTIFICATED FROM EU&EPA	

Pos	Part	Q1	Q2	Q3	Q4	Q5	PS	Kit	Description	Option(s)	Remark
	VOE20865990	6							Cyl Liner Kit		
1		6					NS		•Piston		
2	VOE20405577	6							••Gudgeon pin		
3	VOE20405576	12							••Retaining ring		
4	VOE21299547	6							••Piston ring kit		(VOE20450775)
5		6					NS		•Cylinder Liner		
6	VOE20412762	12							••O-ring		

Date: <b>2013/11/22</b>	Image id: <b>1000641</b>	Catalogue: <b>20078</b>	Model: <b>EC290B LC</b>
Brand: <b>Volvo</b>	Serial: <b>13562-17000, 30290-35000, 80001-85000</b>	Group/Section: <b>214/100</b>	Title: <b>Valve mechanism</b>



Volvo Construction  
Equipment  
**1000641**

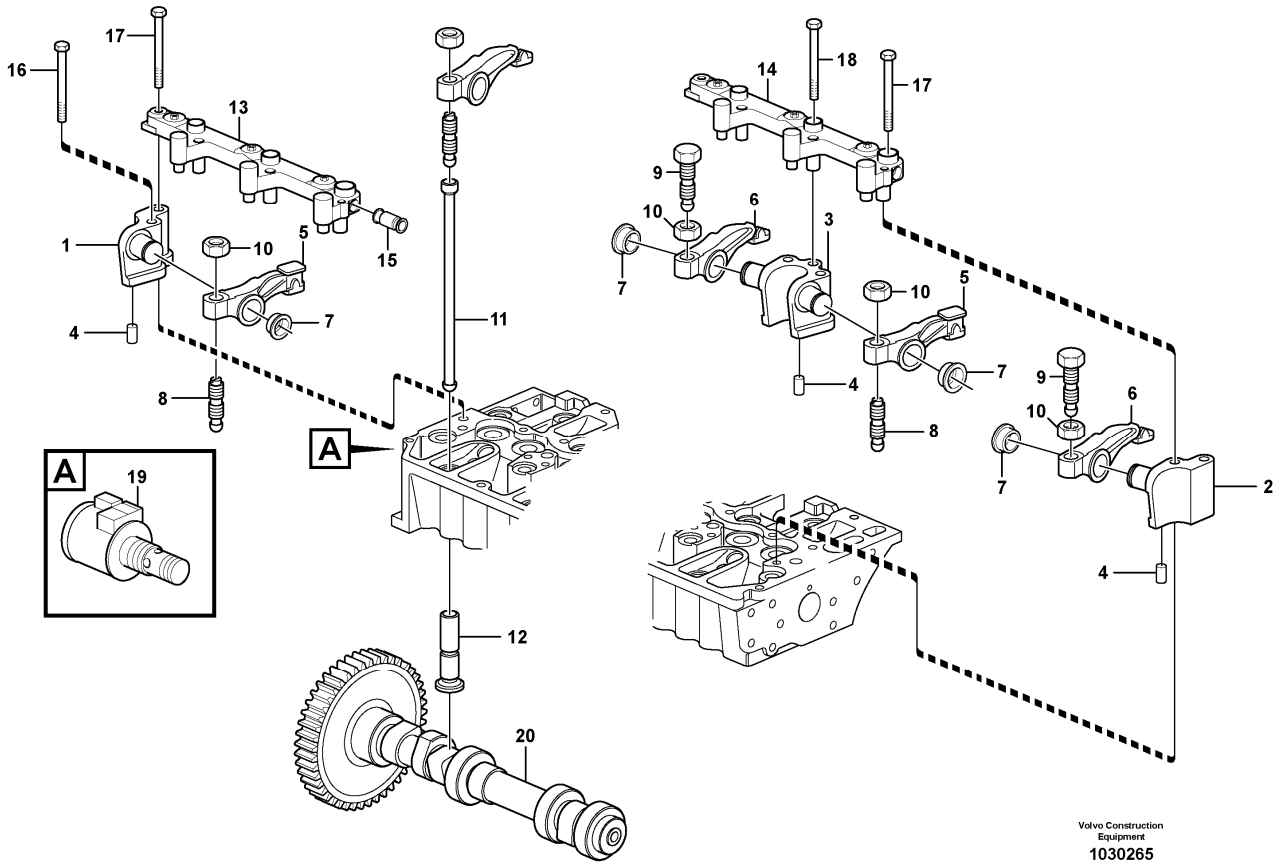
Section option	Kit	Option description
VOE8277459		Basic Machine EC290B
VOE8278906		Engine with Epa label EMISSION CERTIFICATED FROM EPA
VOE8278907		Engine with Eu label EMISSION CERTIFICATED FROM EU
VOE8278908		Engine without Epa label INT AND KOREAN MARKET

Q1-Q5	Option	Option description

Q1 8277459 S/N -10972	VOE8277459	Basic Machine EC290B	
Q2 8278906 S/N 10973-	VOE8278906	Engine with Epa label EMISSION CERTIFICATED FROM EPA	
Q3 8278907 S/N 10973-	VOE8278907	Engine with Eu label EMISSION CERTIFICATED FROM EU	
Q4 8278908 S/N 10973-	VOE8278908	Engine without Epa label INT AND KOREAN MARKET	

Pos	Part	Q1	Q2	Q3	Q4	Q5	PS	Kit	Description	Option(s)	Remark
1	VOE11700367	1	1	1	1				Bearing bracket		
2	VOE11700369	1	1	1	1				Bearing bracket		
3	VOE11700368	5	5	5	5				Bearing bracket		
4	VOE11700366	12	12	12	12				Tappet		
5	VOE11700370	12	12	12	12				Rocker arm		
6	VOE20405524	12	12	12	12				Screw		
7	VOE11700373	12	12	12	12				Nut		
8	VOE945495	12	12	12	12				Retaining ring		
9	VOE20555068	14	14	14	14				Screw		
10	VOE20405534	12	12	12	12				Push rod		
11	VOE20544668	1	1	1	1		SS		Camshaft		ENG - 01099467
11	VOE21277069	1	1	1	1				Camshaft		(VOE20909235)ENG 01099468 -

Date: <b>2013/11/22</b>	Image id: <b>1030265</b>	Catalogue: <b>20078</b>	Model: <b>EC290B LC</b>
Brand: <b>Volvo</b>	Serial: <b>13562-17000, 30290-35000, 80001-85000</b>	Group/Section: <b>214/110</b>	Title: <b>Valve mechanism</b>



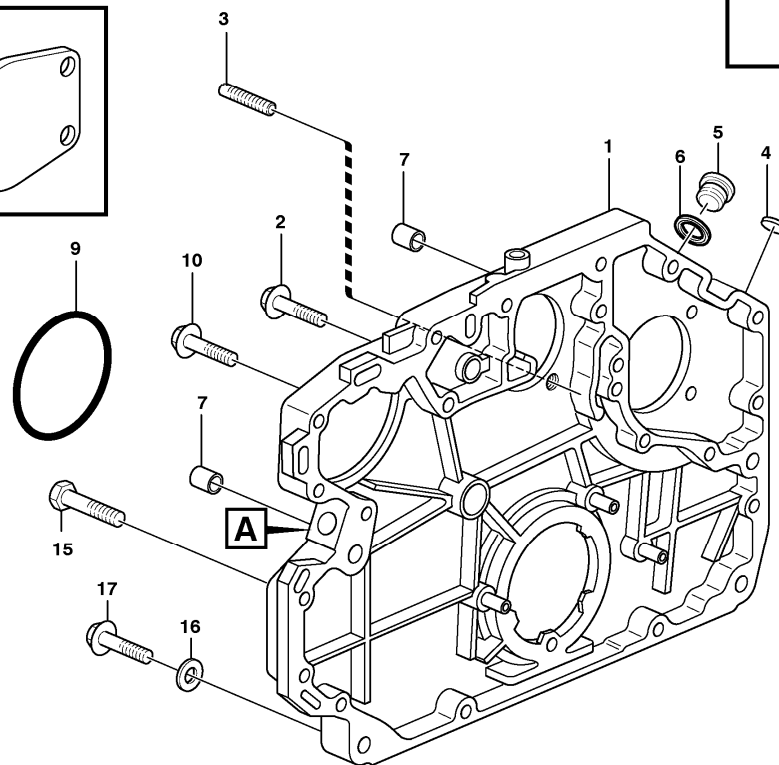
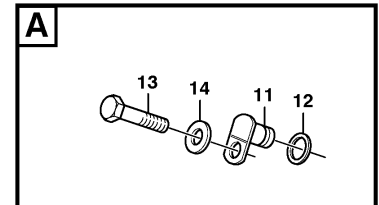
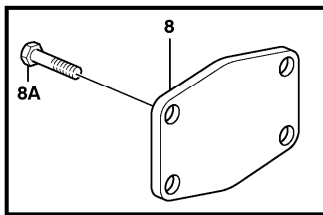
Section option	Kit	Option description
VOE8279534		Engine with Epa label EMISSION CERTIFICATED FROM EU&EPA

Q1-Q5	Option	Option description
Q1 8279534 S/N 80001-	VOE8279534	Engine with Epa label EMISSION CERTIFICATED FROM EU&EPA

Pos	Part	Q1	Q2	Q3	Q4	Q5	PS	Kit	Description	Option(s)	Remark
1	VOE20794124	1							Bracket		(VOE21066484)
2	VOE20826696	1							Bracket		(VOE21066474)
3	VOE20793045	5							Bracket		(VOE21066482)
4	VOE20790837	7							Pin		
5	VOE20792878	6							Rocker Arm		
6	VOE21448926	6							Rocker arm		(VOE20792876)
7	VOE20794115	12							Retaining ring		

8	VOE20913851	6							Adjusting Screw		
9	VOE20816389	6							Adjusting Screw		
10	VOE11700373	12							Nut		
11	VOE20405534	12							Push rod		
12	VOE20792475	12							Tappet		
13	VOE20802124	1							Actuator		
14	VOE20802121	1							Actuator		
15	VOE20798864	1							Pipe		
16	VOE20405723	7							Screw		
17	VOE20799653	7							Bolt		
18	VOE20450802	3							Screw		
19	VOE20795296	1							Solenoid valve		
20	VOE20795775	1							Camshaft		ENG - 10297941
20	VOE21012455	1							Camshaft		ENG 10297942 -

Date: <b>2013/11/22</b>	Image id: <b>1004059</b>	Catalogue: <b>20078</b>	Model: <b>EC290B LC</b>
Brand: <b>Volvo</b>	Serial: <b>13562-17000, 30290-35000, 80001-85000</b>	Group/Section: <b>215/100</b>	Title: <b>Timing gear casing</b>



Volvo Construction  
Equipment  
1004059

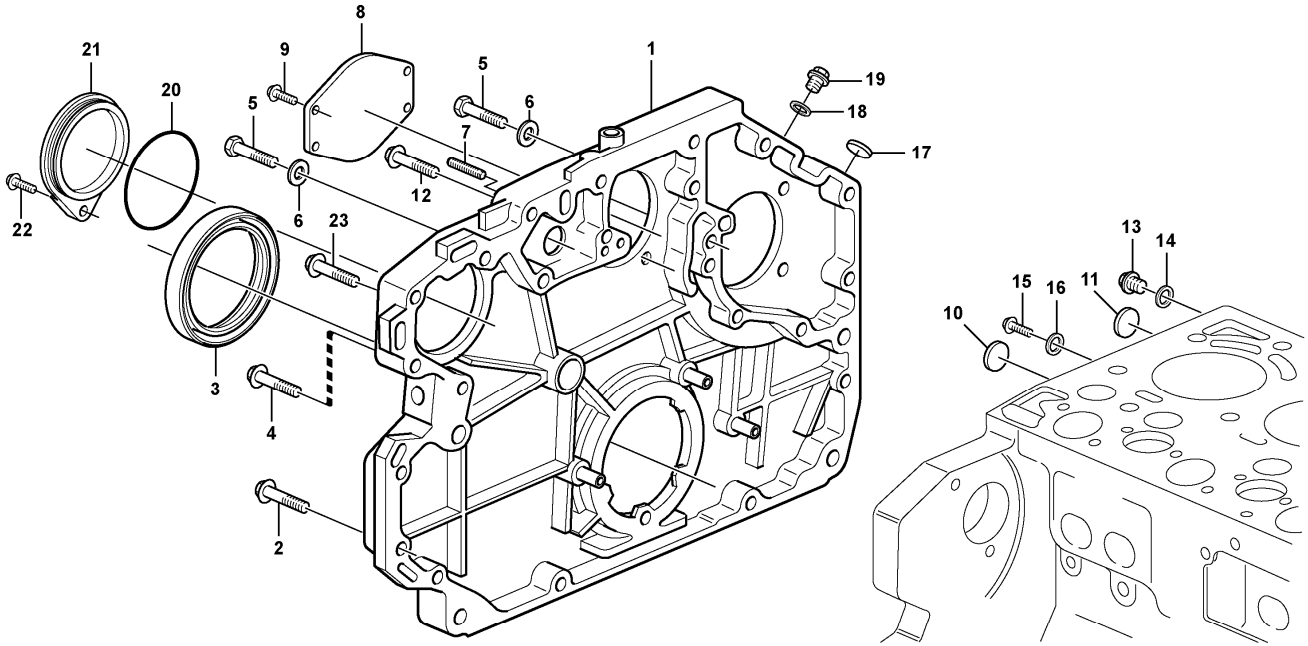
Section option	Kit	Option description
VOE8277459		Basic Machine EC290B
VOE8278906		Engine with Epa label EMISSION CERTIFICATED FROM EPA
VOE8278907		Engine with Eu label EMISSION CERTIFICATED FROM EU
VOE8278908		Engine without Epa label INT AND KOREAN MARKET

Q1-Q5	Option	Option description	
Q1 8277459 S/N -10972	VOE8277459	Basic Machine EC290B	
Q2 8278906 S/N 10973-	VOE8278906	Engine with Epa label EMISSION CERTIFICATED FROM EPA	
Q3 8278907 S/N 10973-	VOE8278907	Engine with Eu label EMISSION CERTIFICATED FROM EU	
Q4 8278908 S/N 10973-	VOE8278908	Engine without Epa label INT AND KOREAN MARKET	

Pos	Part	Q1	Q2	Q3	Q4	Q5	PS	Kit	Description	Option(s)	Remark
1	VOE20547372	1	1	1	1		SS		Casing		(VOE20450793)
2	VOE20405709	3	3	3	3				Screw		
3	VOE20450795	1	1	1	1				Set screw		
4	VOE20405605	1	1	1	1				Cover		
5	VOE945065	1	1	1	1				Plug		
6	VOE13947621	1	1	1	1				Plane gasket		
7	VOE20405646	2	2	2	2				Bushing		
8	20450799	1	1	1	1		NS		Cover		
8A	VOE20405709	4	4	4	4				Screw		
9	VOE20412359	1	1	1	1				Sealing ring		
10	VOE888289	1	1	1	1				Hexagon screw		(VOE11709826)
11	VOE20405553	1	1	1	1				Cover		
12	VOE20459904	1	1	1	1				Sealing ring		
13	VOE20459977	1	1	1	1		SS		Screw		
14	VOE973494	1	1	1	1				Washer		(VOE20459183)
15	VOE20412324	12	12	12	12				Screw		
16	VOE13955900	2	2	2	2				Washer		
17	VOE20405653	2	2	2	2		SS		Screw		



Date: <b>2013/11/22</b>	Image id: <b>1019841</b>	Catalogue: <b>20078</b>	Model: <b>EC290B LC</b>
Brand: <b>Volvo</b>	Serial: <b>13562-17000, 30290-35000, 80001-85000</b>	Group/Section: <b>215/110</b>	Title: <b>Timing gear casing</b>



Volvo Construction  
Equipment  
1019841

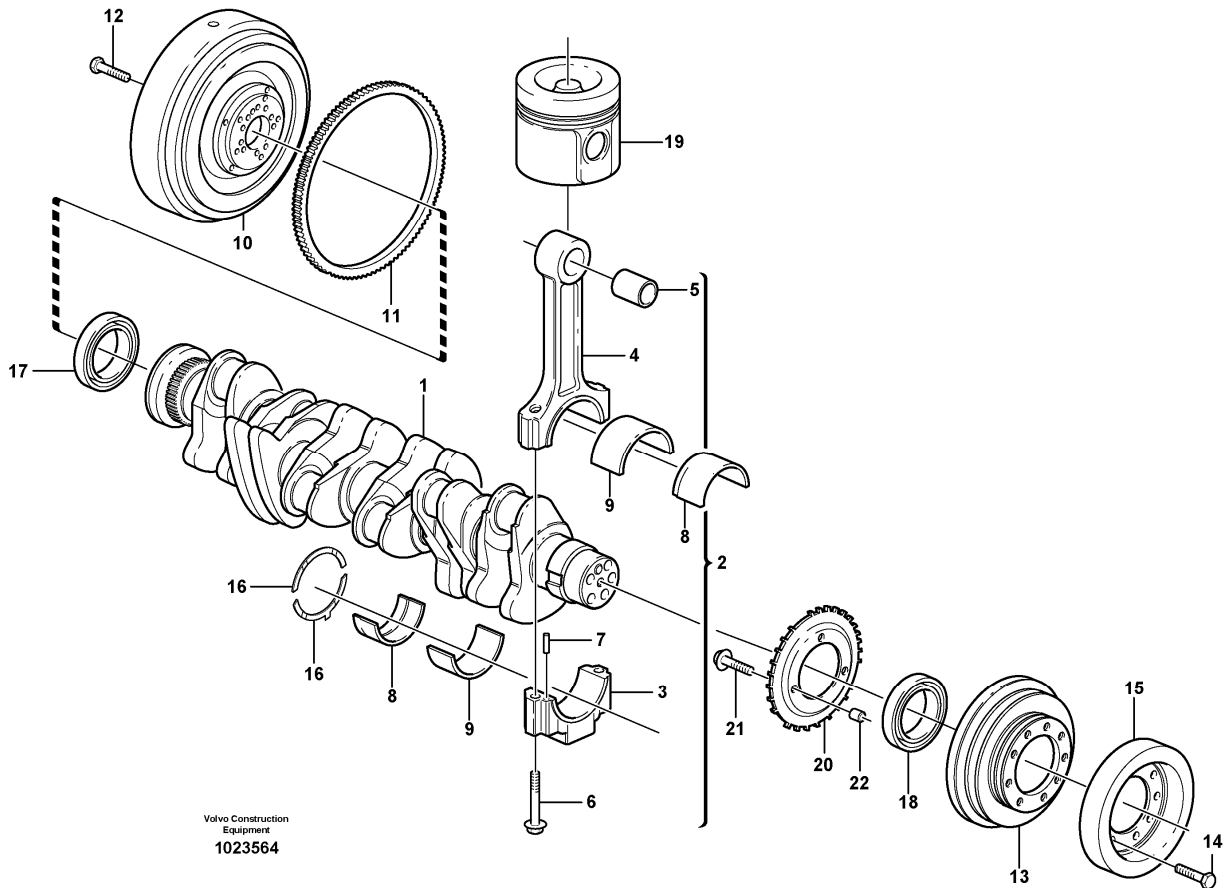
Section option	Kit	Option description
VOE8279534		Engine with Epa label EMISSION CERTIFICATED FROM EU&EPA

Q1-Q5	Option	Option description	
Q1 8279534 S/N 80001-	VOE8279534	Engine with Epa label EMISSION CERTIFICATED FROM EU&EPA	

Pos	Part	Q1	Q2	Q3	Q4	Q5	PS	Kit	Description	Option(s)	Remark
1	VOE20972356	1							Timing gear casing		
2	VOE20412324	12							Screw		
3	VOE20412286	1							Sealing ring		
4	VOE20405709	4							Screw		
5	VOE20534597	2							Screw		
6	VOE13955900	2							Washer		
7	VOE20450795	1							Set screw		



Date: <b>2013/11/22</b>	Image id: <b>1023564</b>	Catalogue: <b>20078</b>	Model: <b>EC290B LC</b>
Brand: <b>Volvo</b>	Serial: <b>13562-17000, 30290-35000, 80001-85000</b>	Group/Section: <b>216/100</b>	Title: <b>Crankshaft and related parts</b>



Section option	Kit	Option description
VOE8277459		Basic Machine EC290B
VOE8278906		Engine with Epa label EMISSION CERTIFICATED FROM EPA
VOE8278907		Engine with Eu label EMISSION CERTIFICATED FROM EU
VOE8278908		Engine without Epa label INT AND KOREAN MARKET

Q1-Q5	Option	Option description	
Q1 8277459 S/N -10972	VOE8277459	Basic Machine EC290B	
Q2 8278906 S/N 10973-	VOE8278906	Engine with Epa label EMISSION CERTIFICATED FROM EPA	
Q3 8278907 S/N 10973-	VOE8278907	Engine with Eu label EMISSION CERTIFICATED FROM EU	
Q4 8278908 S/N 10973-	VOE8278908	Engine without Epa label INT AND KOREAN MARKET	

Thank you so much for reading.  
Please click the “Buy Now!”  
button below to download the  
complete manual.



After you pay.

You can download the most  
perfect and complete manual in  
the world immediately.

Our support email:

[ebooklibonline@outlook.com](mailto:ebooklibonline@outlook.com)