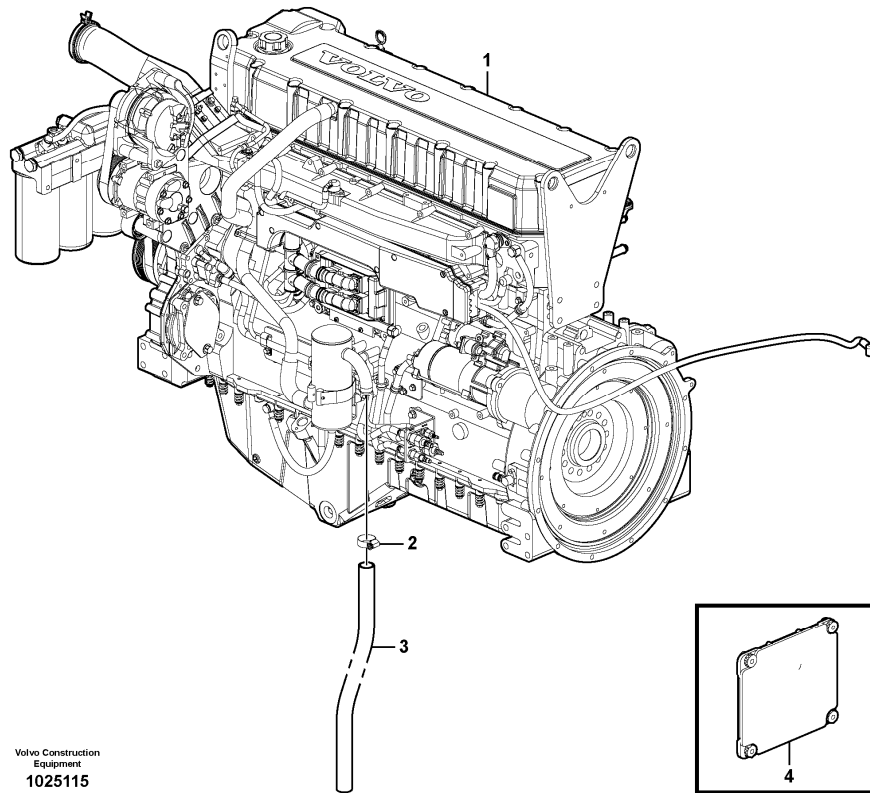


Date: <b>2014/1/13</b>	Image id: <b>1025115</b>	Catalogue: <b>20227</b>	Model: <b>EC360C HR</b>
Brand: <b>Volvo</b>	Serial: <b>190001-</b>	Group/Section: <b>210/100</b>	Title: <b>Engine</b>

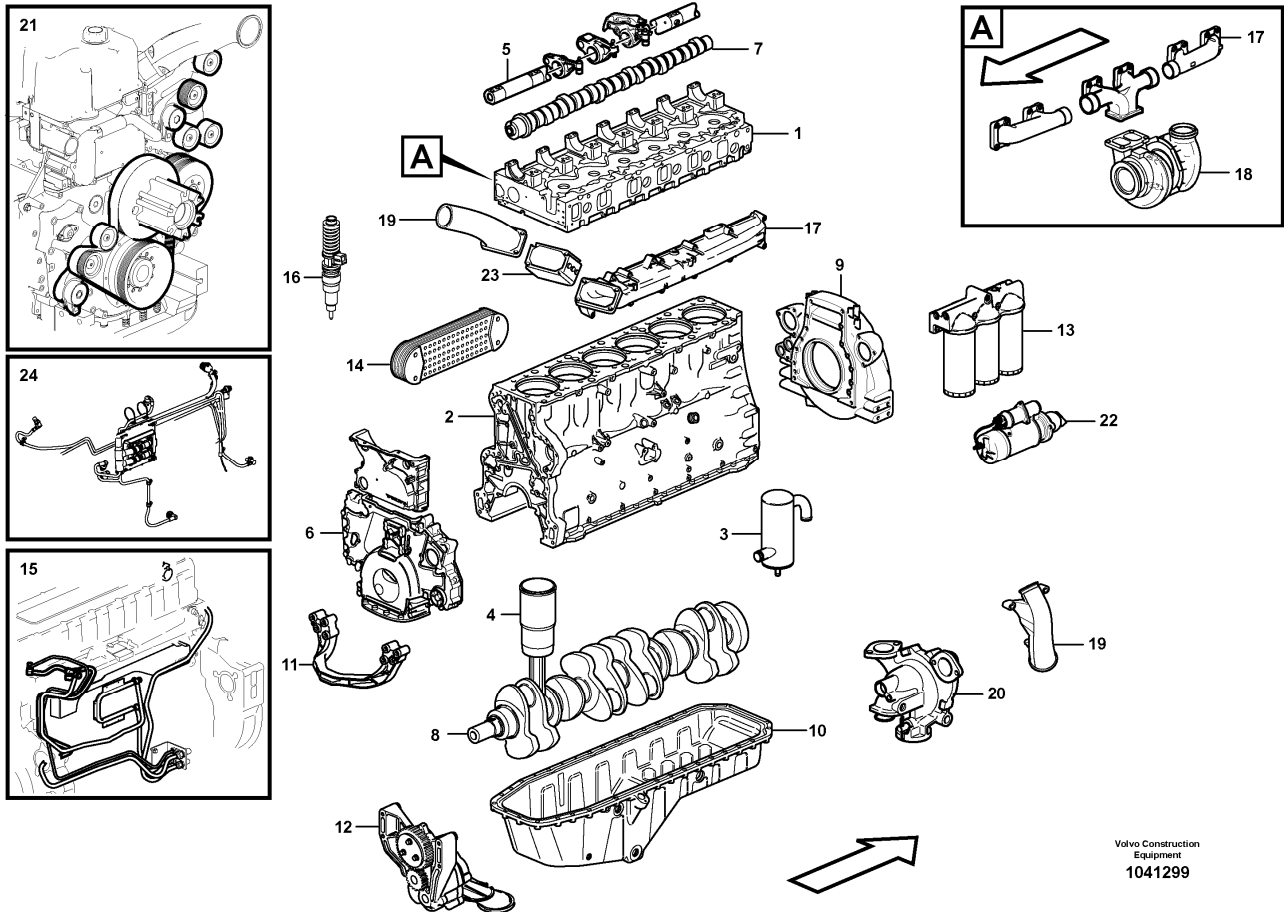


Section option	Kit	Option description
VOE8285527		Engine with Epa label EMISSION CERTIFICATED FROM EU&EPA

Q1-Q5	Option	Option description	
Q1 8285527	VOE8285527	Engine with Epa label EMISSION CERTIFICATED FROM EU&EPA	

Pos	Part	Q1	Q2	Q3	Q4	Q5	PS	Kit	Description	Option(s)	Remark
1	VOE8188757	1							Engine		D12D TIER3
2	VOE943475	1							Hose clamp		
3	VOE14881131	1							Hose		
4	VOE20814604	1							ECU		

Date: <b>2014/1/13</b>	Image id: <b>1041299</b>	Catalogue: <b>20227</b>	Model: <b>EC360C HR</b>
Brand: <b>Volvo</b>	Serial: <b>190001-</b>	Group/Section: <b>210/200</b>	Title: <b>Engine</b>



Volvo Construction  
Equipment  
1041299

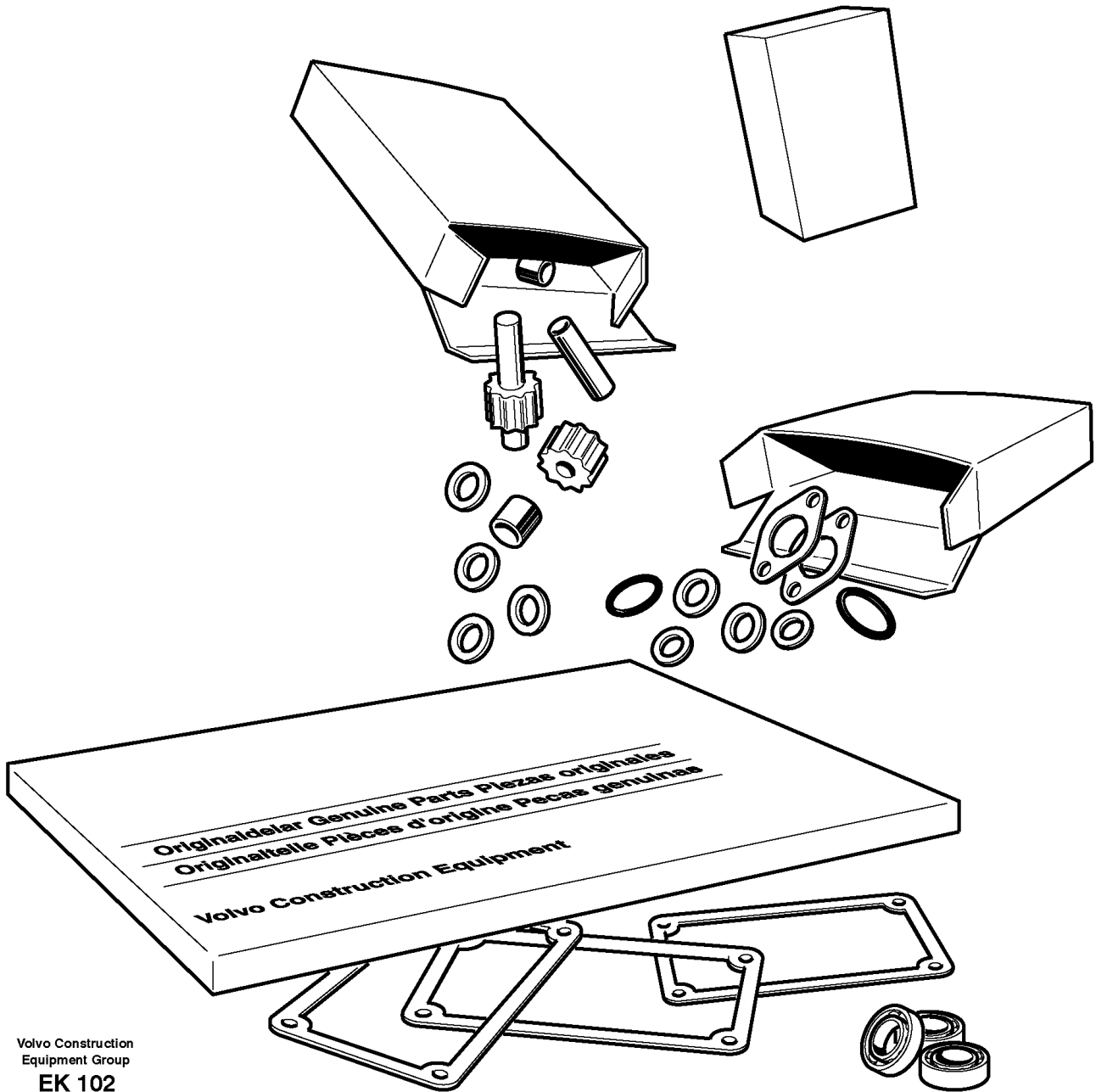
Section option	Kit	Option description
VOE8188757		Engine D12D-P
VOE8285527		Engine with Epa label EMISSION CERTIFICATED FROM EU&EPA

Q1-Q5	Option	Option description	
Q1 8285527	VOE8285527	Engine with Epa label EMISSION CERTIFICATED FROM EU&EPA	

Pos	Part	Q1	Q2	Q3	Q4	Q5	PS	Kit	Description	Option(s)	Remark
	VOE8188757	1							Engine		D12D TIER3
1		1							•Cylinder head		See ref 211/100
2		1							•Cylinder block		See ref 212/100
3		1							•Crankcase Venti		See ref 212/300
4		6							•Cylinder liner,piston		See ref 213/100
5		1							•Valve mechanism		See ref 214/100
6		1							•Timing gear casing		See ref 215/100

7		1							•Camshaft		See ref 215/300
8		1							•Crankshaft		See ref 216/100
9		1							•Flywheel Hsg		See ref 216/200
10		1							•Oil sump		See ref 217/100
11		1							•Engine mounting		See ref 218/200
12		1							•Lubricating system		See ref 221/100
13		1							•Oil filter		See ref 222/100
14		1							•Oil cooler		See ref 223/100
15		1							•Fuel system		See ref 235/200
16		1							•Injector		See ref 237/200
17		1							•Inlet, exhaust syst.		See ref 251/100
18		1							•Turbocharger		See ref 255/100
19		1							•Chg Air Cooler		See ref 258/100
20		1							•Water pump and thermo		See ref 262/100
21		1							•Belt transmission		See ref 263/100
22		1							•Starter Motor		See ref 331/100
23		1							•Starter Element		See ref 333/200
24		1							•Cable harness		See ref 371/300

Date: <b>2014/1/13</b>	Image id: <b>EK102</b>	Catalogue: <b>20227</b>	Model: <b>EC360C HR</b>
Brand: <b>Volvo</b>	Serial: <b>190001-</b>	Group/Section: <b>210/300</b>	Title: <b>Repair kits for engine</b>



Section option	Kit	Option description
VOE8188757		Engine D12D-P
VOE8285527		Engine with Epa label EMISSION CERTIFICATED FROM EU&EPA

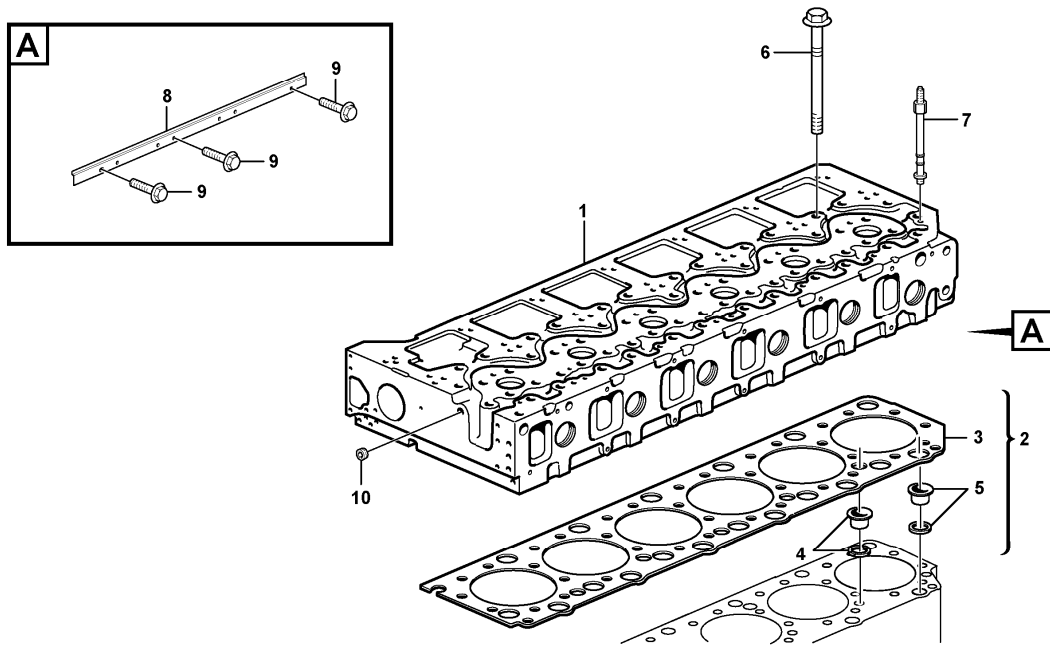
Q1-Q5	Option	Option description
Q1 8285527	VOE8285527	Engine with Epa label EMISSION CERTIFICATED FROM EU&EPA

Pos	Part	Q1	Q2	Q3	Q4	Q5	PS	Kit	Description	Option(s)	Remark
	VOE20503200	1							Bearing shell kit		Camshaft
	VOE276630	6							Bearing shell kit		Camshaft
	VOE1677212	12							•Bearing shell		
		REQ							Big End Brg Kit		See ref 216/100
		7							Mn Bearing Kit		See ref 216/100
		1							Thr Washer Kit		See ref 216/100
	VOE20768698	1							Valve Kit		Fuel pump
	VOE276644	6							O-ring Kit		Injector
	VOE11715806	1							Overhaul kit		
	VOE20710242	1							•De-carbonizing kit		Decab kit
	VOE1675841	1							••Gasket		
	VOE8149301	1							••Gasket		
	VOE8170514	1							••Gasket		
	VOE8170519	1							••Gasket		
	VOE13947622	7							••Plane gasket		
	VOE20489341	1							••Gasket		
	VOE949659	12							••O-ring		
	VOE1544710	2							••Sealing ring		
	VOE1547252	1							••Sealing ring		
	VOE1547254	2							••Sealing ring		
	VOE1677370	2							••Sealing ring		
	VOE3165097	1							••Sealing ring		
	VOE3165747	6							••O-ring		
	VOE13949656	1							••O-ring		
	VOE20526428	2							••Sealing ring		
	VOE11713514	1							••Sealant		
	VOE20526706	2							••Sealing strip		
	VOE859171	24							••Valve seal		
	VOE3964604	16							••Bushing		
	VOE20710235	1					NS		••Sealing Kit		
	VOE21070576	1							•••Sealing strip		
	VOE20566300	1					OP		•••Heat shield		
	VOE946441	3							•••Flange screw		
	VOE11712538	1							•Cylinder head kit		Cylinder head kit
	VOE420643	1							••Gasket		
	VOE1675841	1							••Gasket		
	VOE8149301	1							••Gasket		
	VOE8170519	1							••Gasket		
	VOE8170959	6							••Gasket		
	VOE13947281	1							••Gasket		
	VOE20784537	1							••Gasket		
	VOE3099100	1							••Gasket kit		
	VOE949659	12							••O-ring		
	VOE20536487	6							••O-ring		
	VOE469601	1							••Sealing ring		

VOE1544710	2								••Sealing ring		
VOE1547255	1								••Sealing ring		
VOE859171	24								••Valve seal		
VOE21070576	1								••Sealing strip		
VOE1546517	20								••Spacer sleeve		
VOE13965180	11								••Screw		
VOE13965189	20								••Screw		
VOE13955311	1								••Screw		
VOE977299	4								••Stud		
VOE471622	4								••Flange lock nut		
VOE20820358	6								•Cylinder		Cylinder liner kit
VOE270950	6								••Sealing kit		
VOE20820363	6								••Piston Ring Kit		
VOE20482587	6						OP		••Piston		
VOE3155115	6								••Gudgeon pin		
VOE914530	6								••Retaining ring		
VOE976929	5								•Gasket		
VOE982509	1								•Gasket		
VOE1556907	2								•Gasket		
VOE7011992	6								•Gasket		
VOE7011996	3								•Gasket		
VOE8130185	1								•Gasket		
VOE8170514	2								•Gasket		
VOE8170515	1								•Gasket		
VOE8170534	1								•Gasket		
VOE11127393	1								•Gasket		
VOE11127584	1								•Gasket		
VOE13947281	1								•Gasket		
VOE20489341	1								•Gasket		
VOE948884	2								•Plane gasket		
VOE13947622	15								•Plane gasket		
VOE13947627	2								•Plane gasket		
VOE948980	1								•O-ring		
VOE967343	1								•O-ring		
VOE967344	1								•O-ring		
VOE968757	6								•O-ring		
VOE975664	1								•O-ring		
VOE975687	1								•O-ring		
VOE976013	1								•O-ring		
VOE13948610	3								•O-ring		
VOE13948888	1								•O-ring		
VOE13948983	1								•O-ring		
VOE13949656	1								•O-ring		
VOE13949736	1								•O-ring		
VOE421158	1								•Sealing ring		
VOE469846	2								•Sealing ring		
VOE1542781	1								•Sealing ring		

VOE1547252	2								•Sealing ring		
VOE1547254	2								•Sealing ring		
VOE1547951	1								•Sealing ring		
VOE1677370	2								•Sealing ring		
VOE3165097	1								•Sealing ring		
VOE8148471	2								•Sealing ring		
VOE8170558	1								•Sealing ring		
VOE20551483	2								•Sealing ring		
VOE20714247	1								•Seg moulding		
VOE421723	1								•Sealing		
VOE465784	1								•Sealing		
VOE3830184	1								•Sealing		
VOE20712545	1								•Seal		
VOE1161277	1								•Sealant		
VOE1546624	3								•Restricting washer		

Date: <b>2014/1/13</b>	Image id: <b>1052577</b>	Catalogue: <b>20227</b>	Model: <b>EC360C HR</b>
Brand: <b>Volvo</b>	Serial: <b>190001-</b>	Group/Section: <b>211/100</b>	Title: <b>Cylinder head with fitting parts</b>



Volvo Construction  
Equipment  
1052577

Section option	Kit	Option description
VOE8188757		Engine D12D-P
VOE8285527		Engine with Epa label EMISSION CERTIFICATED FROM EU&EPA

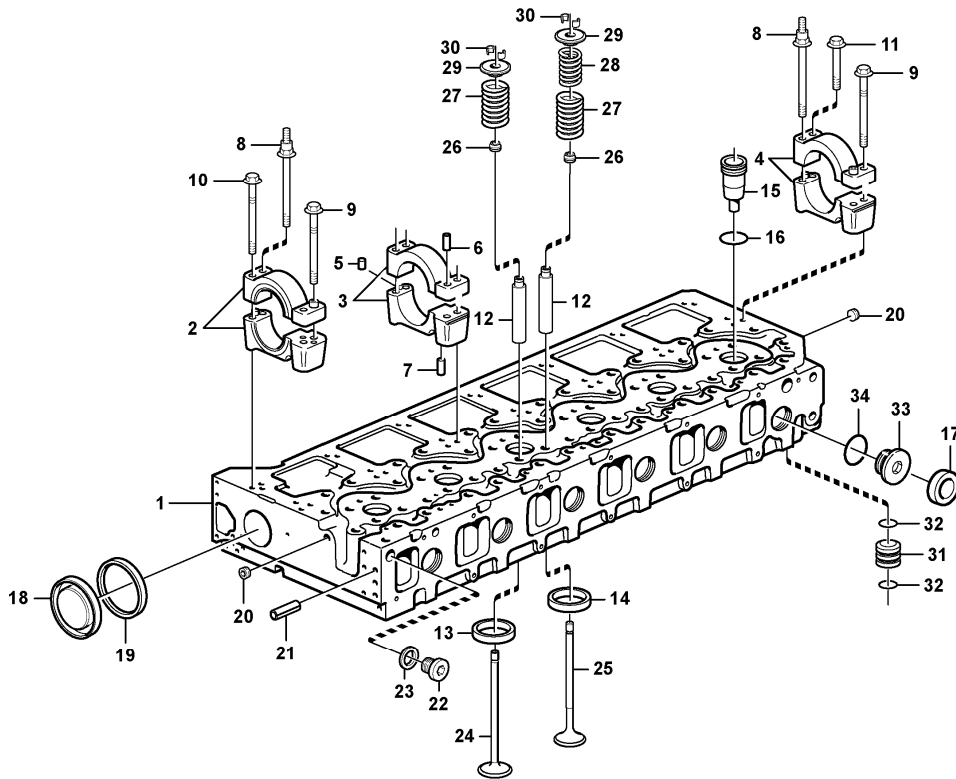
Q1-Q5	Option	Option description	
Q1 8285527	VOE8285527	Engine with Epa label EMISSION CERTIFICATED FROM EU&EPA	

Pos	Part	Q1	Q2	Q3	Q4	Q5	PS	Kit	Description	Option(s)	Remark
1		1							Cylinder head		See ref 211/200
2	VOE3099100	1							Gasket kit		
3	VOE20412953	1							•Gasket		
4		18					NS		•Seal Ring		
5		4					NS		•Seal Ring		
6	VOE21345131	38							Screw		
7	VOE21344784	9							Stud		
8	VOE20566300	1					OP		Heat shield		





Date: <b>2014/1/13</b>	Image id: <b>1031935</b>	Catalogue: <b>20227</b>	Model: <b>EC360C HR</b>
Brand: <b>Volvo</b>	Serial: <b>190001-</b>	Group/Section: <b>211/200</b>	Title: <b>Cylinder head</b>



Volvo Construction  
Equipment  
1031935

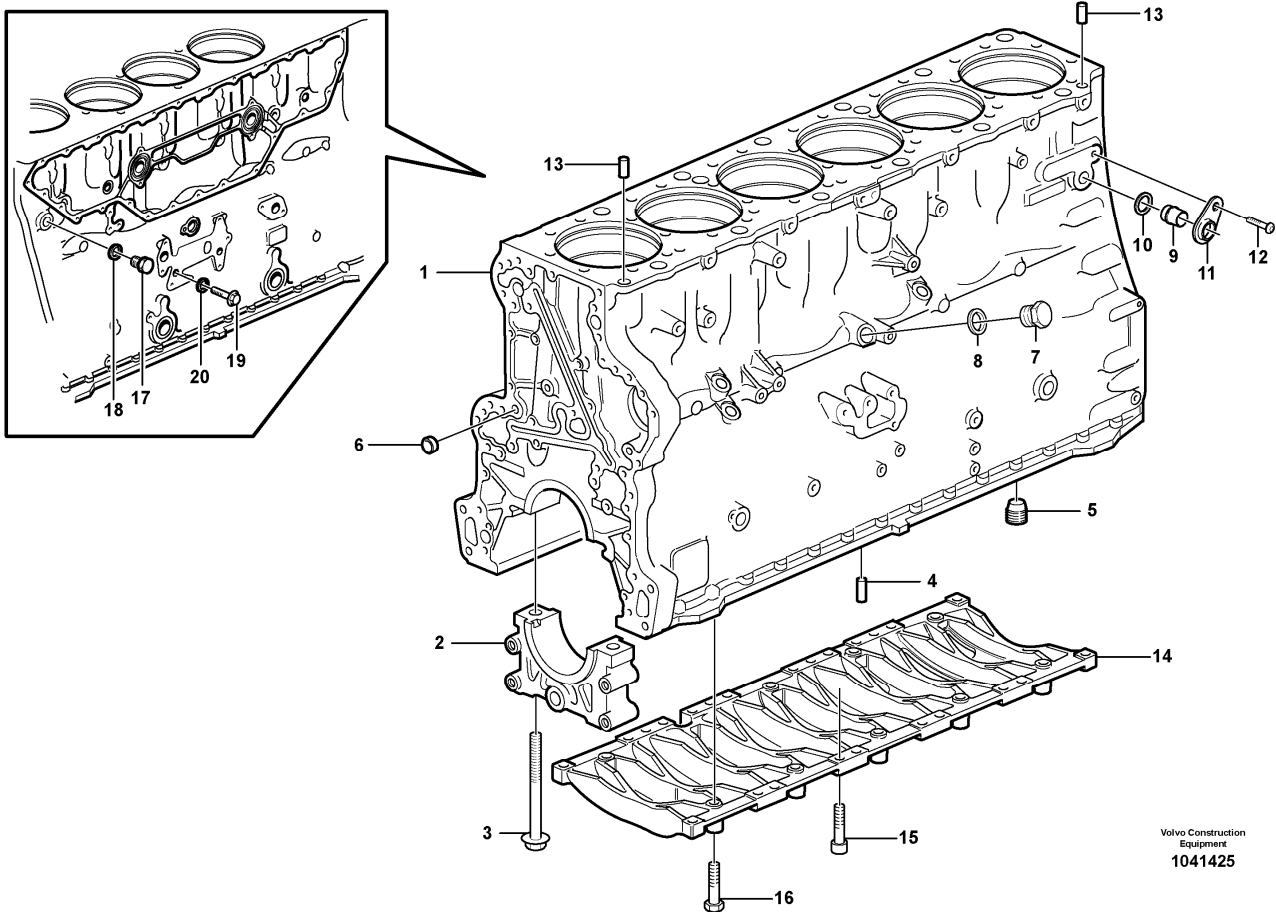
Section option	Kit	Option description
VOE8188757		Engine D12D-P
VOE8285527		Engine with Epa label EMISSION CERTIFICATED FROM EU&EPA

Q1-Q5	Option	Option description	
Q1 8285527	VOE8285527	Engine with Epa label EMISSION CERTIFICATED FROM EU&EPA	

Pos	Part	Q1	Q2	Q3	Q4	Q5	PS	Kit	Description	Option(s)	Remark
	VOE21086450	1							Cylinder head		
	VOE24426421	1					SE		•Cylinder head		
1	VOE20478371	1					OP		••Cylinder head		
2	VOE3165130	1							••Bearing housing		
3	VOE3165133	5							••Bearing housing		
4	VOE3165136	1							••Bearing housing		
5	VOE950542	7							•••Pin		
6	VOE1677189	7					NS		•••Sleeve		

7	VOE950562	14							••Pin		
8	VOE21344812	7							••Stud		
9	VOE21344776	14							••Screw		L = 127 MM
10	VOE21344752	1							••Screw		L = 106 MM
11	VOE1677283	6							••Screw		L = 70 MM
12	VOE20817648	24							••Valve guide		
13	VOE20459329	12							••Valve seat		INLET
14	VOE20412798	12							••Valve seat		EXHAUST
15	VOE3183368	6							••Sleeve		
16	VOE20536487	6							••O-ring		
17	VOE8131707	11							••Cap plug		
18	VOE8170553	1							••Cap plug		
19	VOE1544710	1							•Sealing ring		
20	VOE990830	2							•Plug		M14
21	VOE422426	1							•Pin		
22	VOE20441335	1							•Plug		
23	VOE13947281	1							•Gasket		
24	VOE20459326	12							•Inlet valve		
25	VOE20441486	12							•Exhaust Valve		
26	VOE859171	24							•Valve seal		
27	VOE21310068	24							•Valve spring		
28	VOE3183211	12							•Valve spring		
29	VOE1546487	24							•Valve spring washer		
30	VOE1677875	48							•Valve Collet		
31	VOE20463179	1							•Adapter		
32	VOE13949721	2							•O-ring		
	VOE3165025	1					NS		•Plug		
33	VOE3155171	1							••Plug		
34	VOE949659	1							••O-ring		

Date: <b>2014/1/13</b>	Image id: <b>1041425</b>	Catalogue: <b>20227</b>	Model: <b>EC360C HR</b>
Brand: <b>Volvo</b>	Serial: <b>190001-</b>	Group/Section: <b>212/100</b>	Title: <b>Cylinder block</b>



Volvo Construction  
Equipment  
1041425

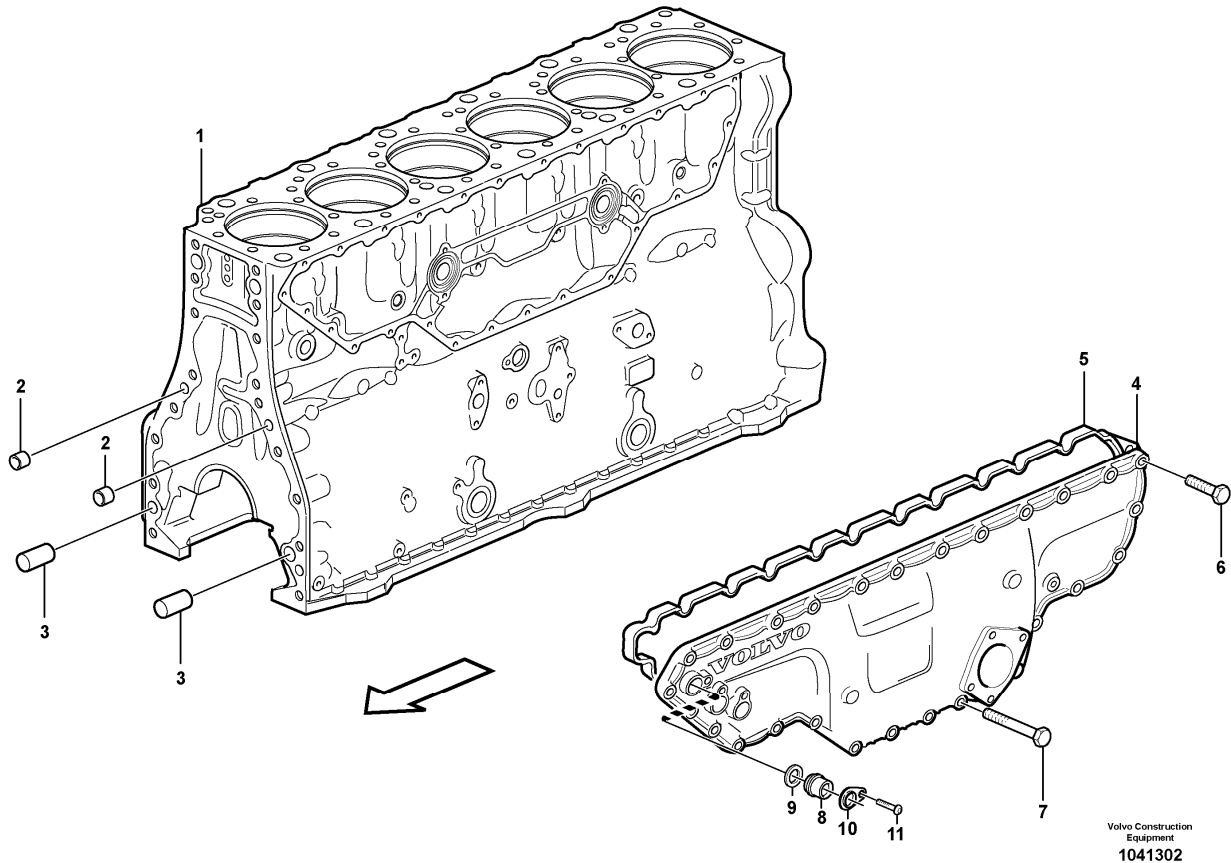
Section option	Kit	Option description
VOE8188757		Engine D12D-P
VOE8285527		Engine with Epa label EMISSION CERTIFICATED FROM EU&EPA

Q1-Q5	Option	Option description	
Q1 8285527	VOE8285527	Engine with Epa label EMISSION CERTIFICATED FROM EU&EPA	

Pos	Part	Q1	Q2	Q3	Q4	Q5	PS	Kit	Description	Option(s)	Remark
	VOE8130120	1					SS		Cylinder block		
1	VOE8130121	1					NS		•Cylinder Block		
2		7					NS		•Cap		
3	VOE1547040	14							•Screw		
4	VOE422426	1							•Pin		
5	VOE8170666	1							Plug		
6	VOE981735	1							Cap plug		
7	VOE960631	1							Plug		

8	VOE7011996	1							Gasket		
9	VOE1546528	1							Plug		
10	VOE1547252	1							Sealing ring		
11	VOE20718731	1							Yoke		
12	VOE13972542	1							Six point socket screw		
13	VOE8170389	2							Guide sleeve		
14	VOE3183414	1							Frame		
15	VOE973523	20							Allen Hd Screw		
16	VOE13965187	6							Screw		
17	VOE13960634	1							Plug		
18	VOE13947627	1							Plane gasket		
19	VOE946440	1							Flange screw		
20	VOE7011992	1							Gasket		

Date: <b>2014/1/13</b>	Image id: <b>1041302</b>	Catalogue: <b>20227</b>	Model: <b>EC360C HR</b>
Brand: <b>Volvo</b>	Serial: <b>190001-</b>	Group/Section: <b>212/200</b>	Title: <b>Cylinder block</b>



Volvo Construction  
Equipment  
1041302

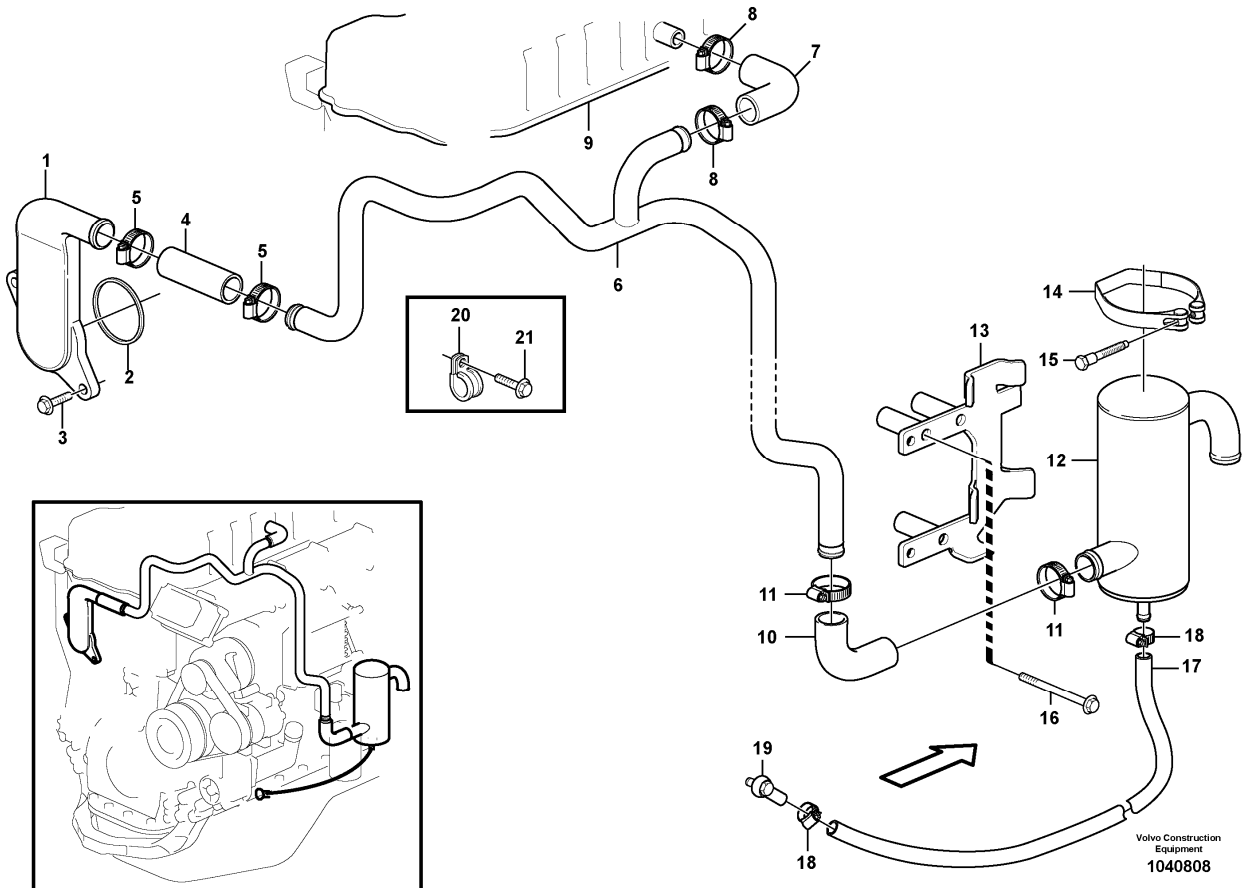
Section option	Kit	Option description
VOE8188757		Engine D12D-P
VOE8285527		Engine with Epa label EMISSION CERTIFICATED FROM EU&EPA

Q1-Q5	Option	Option description	
Q1 8285527	VOE8285527	Engine with Epa label EMISSION CERTIFICATED FROM EU&EPA	

Pos	Part	Q1	Q2	Q3	Q4	Q5	PS	Kit	Description	Option(s)	Remark
1		1							Cylinder Block		See ref 212/100
2	VOE981735	2							Cap plug		
3	VOE8170389	2							Guide sleeve		
4	VOE20538056	1							Casing		
5	VOE20712545	1							Seal		
6	VOE13945444	20							Screw		
7	VOE13965180	7							Screw		
8	VOE1546528	1							Plug		

9	VOE1547252	1							Sealing ring		
10	VOE20718731	1							Yoke		
11	VOE13972542	1							Six point socket screw		

Date: <b>2014/1/13</b>	Image id: <b>1040808</b>	Catalogue: <b>20227</b>	Model: <b>EC360C HR</b>
Brand: <b>Volvo</b>	Serial: <b>190001-</b>	Group/Section: <b>212/300</b>	Title: <b>Crankcase ventilation</b>



Section option	Kit	Option description
VOE8188757		Engine D12D-P
VOE8285527		Engine with Epa label EMISSION CERTIFICATED FROM EU&EPA

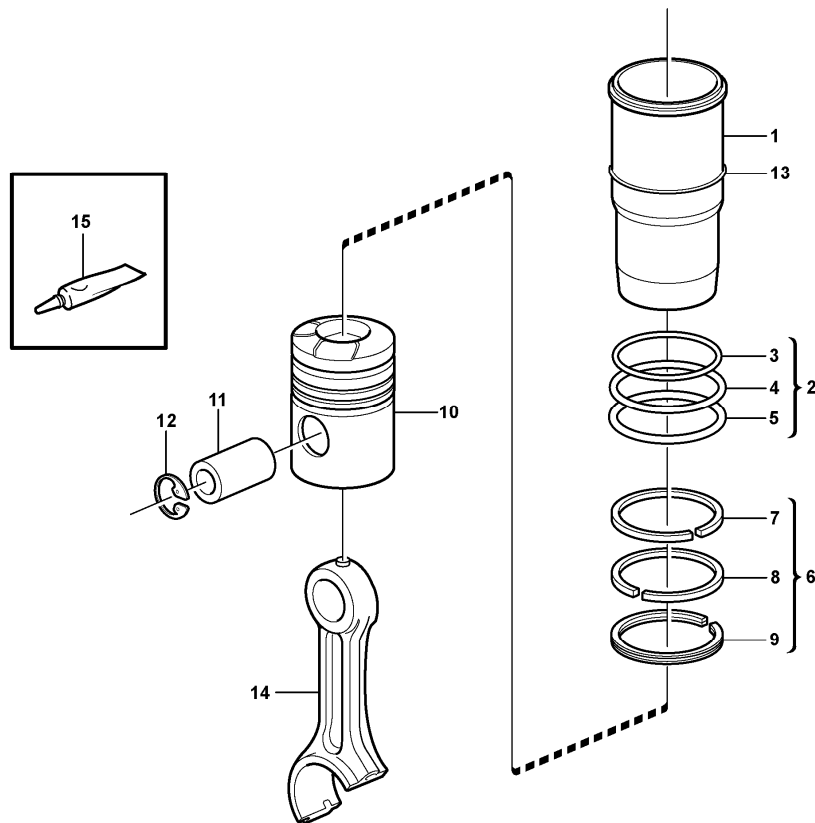
Q1-Q5	Option	Option description
Q1 8285527	VOE8285527	Engine with Epa label EMISSION CERTIFICATED FROM EU&EPA

Pos	Part	Q1	Q2	Q3	Q4	Q5	PS	Kit	Description	Option(s)	Remark
1	VOE11127358	1							Flange pipe		
2	VOE3165097	1							Sealing ring		
3	VOE13945444	2							Screw		
4	VOE11128750	1							Hose		L = 100 MM
5	VOE943476	2							Hose clamp		ENG- 654902
5	VOE993963	2							Hose clamp		ENG 654903 -
6	VOE11423661	1							Pipe		
7	VOE11128756	1							Hose		



8	VOE943476	2							Hose clamp		
9		1							Valve Cover		See ref 214/100
10	VOE11128756	1							Hose		
11	VOE943476	2							Hose clamp		
12	VOE11033878	1							Oil trap		
13	VOE11423659	1							Bracket		
14	VOE420914	1							Tensioning Band		
15	VOE1545257	1							Screw		
16	VOE965189	3							Flange screw		
17	VOE983342	REQ							Hose		L = 570 MM
18	VOE943471	2							Hose clamp		ENG - 654902
18	VOE993960	2							Hose clamp		ENG 654903 -
19		1							Nipple		See ref 217/200
20	VOE13949997	1							Clamp		
21	VOE946440	1							Flange screw		

Date: <b>2014/1/13</b>	Image id: <b>1035153</b>	Catalogue: <b>20227</b>	Model: <b>EC360C HR</b>
Brand: <b>Volvo</b>	Serial: <b>190001-</b>	Group/Section: <b>213/100</b>	Title: <b>Cylinder liner and piston</b>



Volvo Construction  
Equipment  
1035153

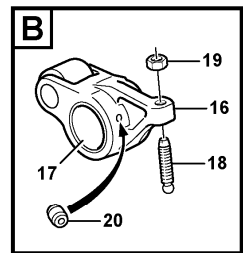
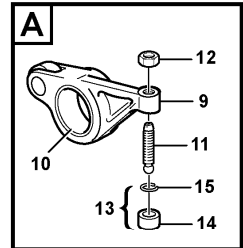
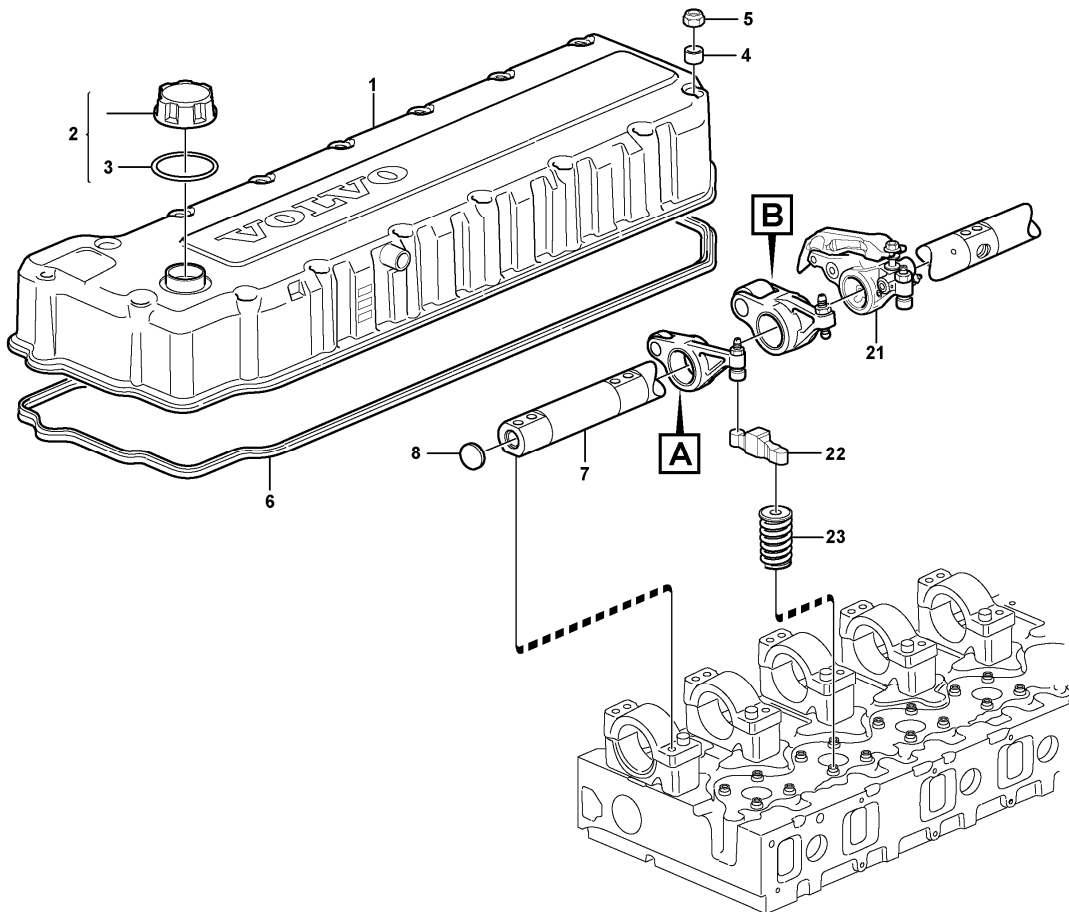
Section option	Kit	Option description
VOE8188757		Engine D12D-P
VOE8285527		Engine with Epa label EMISSION CERTIFICATED FROM EU&EPA

Q1-Q5	Option	Option description
Q1 8285527	VOE8285527	Engine with Epa label EMISSION CERTIFICATED FROM EU&EPA

Pos	Part	Q1	Q2	Q3	Q4	Q5	PS	Kit	Description	Option(s)	Remark
	VOE20820358	6							Cylinder		
1	VOE20451502	6					NS		•Cylinder Liner		
2	VOE270950	6							•Sealing kit		
3	VOE470922	6							••Seal Ring		UPPER
4	VOE470190	12					NS		••Sealing ring		
5	VOE270950	6							••Sealing kit		LOW
6	VOE20820363	6							•Piston Ring Kit		
7	VOE20411224	6					OP		••Compression ring		UPPER

8	VOE20576259	6					OP		••Compression ring		LOW
9	VOE20505156	6					OP		••Oil scraper ring		
10	VOE20482587	6					OP		•Piston		
11	VOE3155115	6							•Gudgeon pin		
12	VOE914530	12							•Retaining ring		
13	VOE1677591	REQ							Shim		THICK = 0,2 MM
13	VOE1677592	REQ							Shim		THICK = 0,3 MM
13	VOE1677593	REQ							Shim		THICK = 0,5 MM
14		6							Connecting rod		See ref 216/100
15	VOE1161277	1							Sealant		20 GRAM

Date: <b>2014/1/13</b>	Image id: <b>1039104</b>	Catalogue: <b>20227</b>	Model: <b>EC360C HR</b>
Brand: <b>Volvo</b>	Serial: <b>190001-</b>	Group/Section: <b>214/100</b>	Title: <b>Valve mechanism</b>



Volvo Construction  
Equipment  
1039104

Section option	Kit	Option description
VOE8188757		Engine D12D-P
VOE8285527		Engine with Epa label EMISSION CERTIFICATED FROM EU&EPA

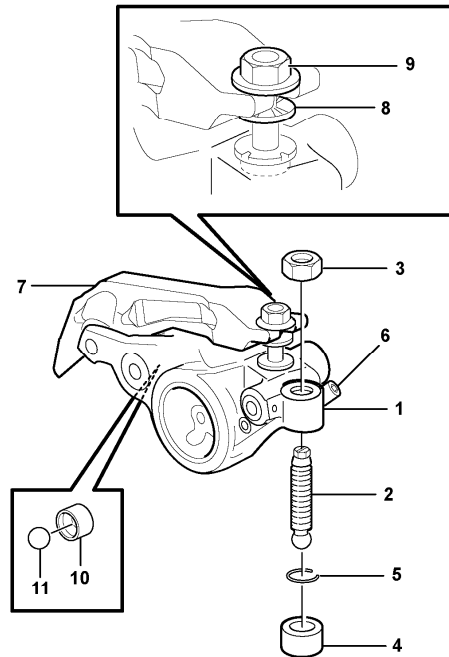
Q1-Q5	Option	Option description
Q1 8285527	VOE8285527	Engine with Epa label EMISSION CERTIFICATED FROM EU&EPA

Pos	Part	Q1	Q2	Q3	Q4	Q5	PS	Kit	Description	Option(s)	Remark
1	VOE21052622	1							Valve cover		
2	VOE20807510	1							•Oil filler cap		
3	VOE20365079	1							••Gasket		
4	VOE3964604	16							Bushing		
5	VOE8148488	16							Lock nut		
6	VOE21123014	1							Sealing strip		
	VOE8170158	1							Rocker arm shaft		
7	VOE8170159	1					OP		•Rocker arm shaft		

8	VOE980176	2							•Expansion plug		
	VOE21024794	6							Rocker arm		INLET
9	VOE1546690	6					NS		•Rocker arm		
10	VOE1546681	6							•Bushing		
	VOE1546046	6							•Bushing		See footnote 2624)
11	VOE1546458	6							•Ball stud		
12	VOE13946911	6							•Nut		
13	VOE21054149	6							•Ball socket		
14	VOE21054152	6					NS		••Ball Socket		
15	VOE944364	6							••O-ring		
	VOE21089229	6							Rocker arm		INJECTOR
16	VOE20381704	6					OP		•Rocker arm		
17	VOE21081469	6							•Bushing		
18	VOE1546775	6							•Ball stud		
19	VOE1677396	6							•Hexagon nut		
20	VOE3964817	12							•Jet		
21		6							Rocker Arm		EXHAUST See ref 214/200
22	VOE3183207	12							Valve cap		
23		24							Valve spring		See ref 211/200

2624) Not Shown

Date: <b>2014/1/13</b>	Image id: <b>1041652</b>	Catalogue: <b>20227</b>	Model: <b>EC360C HR</b>
Brand: <b>Volvo</b>	Serial: <b>190001-</b>	Group/Section: <b>214/200</b>	Title: <b>Rocker arm</b>



Volvo Construction  
Equipment  
1041652

Section option	Kit	Option description
VOE8188757		Engine D12D-P
VOE8285527		Engine with Epa label EMISSION CERTIFICATED FROM EU&EPA

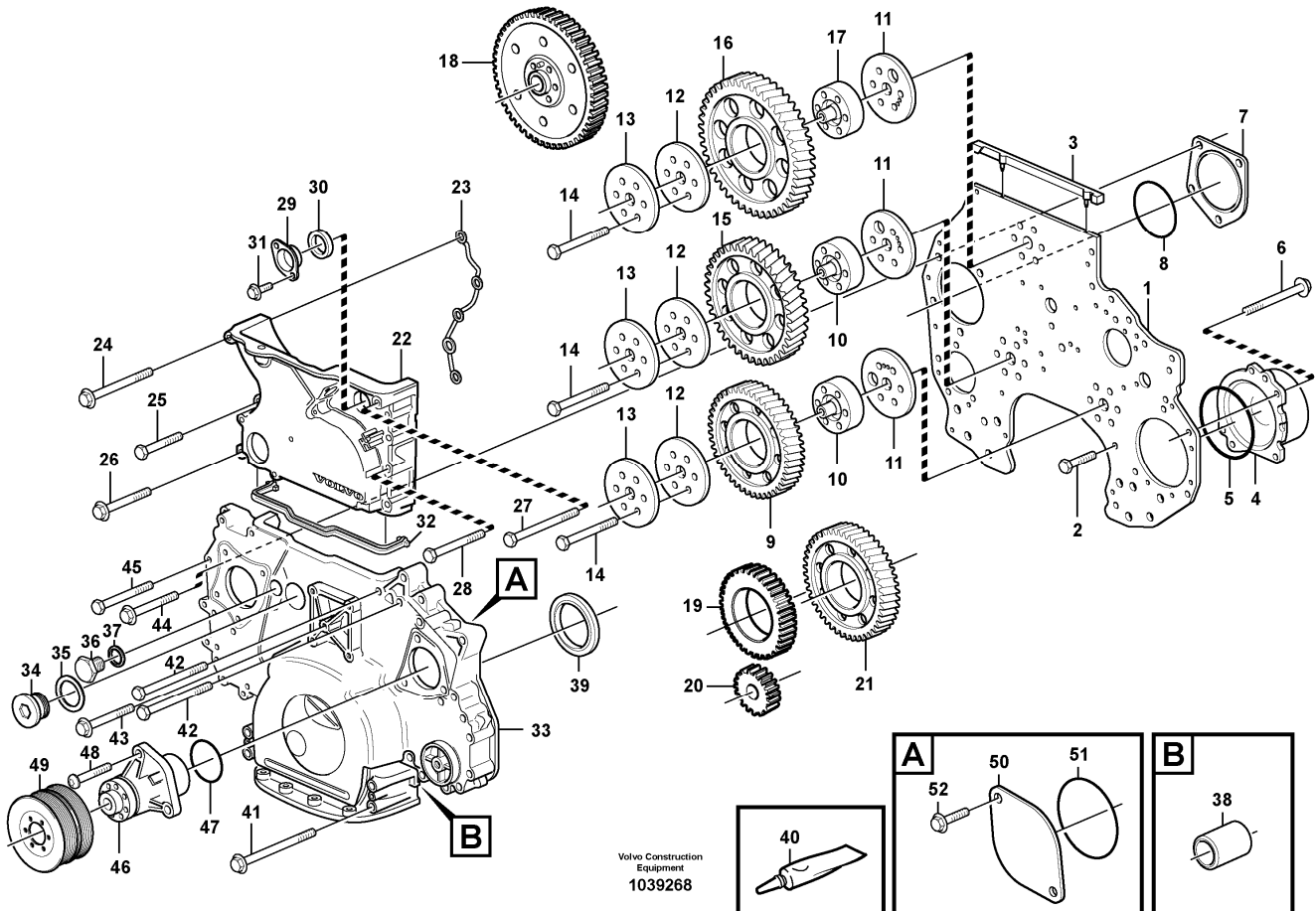
Q1-Q5	Option	Option description	
Q1 8285527	VOE8285527	Engine with Epa label EMISSION CERTIFICATED FROM EU&EPA	

Pos	Part	Q1	Q2	Q3	Q4	Q5	PS	Kit	Description	Option(s)	Remark
	VOE21243114	1							Rocker arm		EXHAUST
1	VOE21243110	1					NS		•Rocker Arm		
2	VOE1546458	1							•Ball stud		
3	VOE13946911	1							•Nut		
4	VOE21054149	1							•Ball socket		
5	VOE944364	1							••O-ring		
6	VOE20916960	1							•Nipple		
7	VOE21084235	1					NS		•Rocker Arm		

8	VOE20524954	1					OP		•Sleeve		
9	VOE20524958	1							•Nut		
10	VOE20810847	1							•Valve seat		
11	VOE67089	1					NS		•Ball		
	VOE21084234	1							•Bushing		See footnote 2624)

2624) Not Shown

Date: <b>2014/1/13</b>	Image id: <b>1039268</b>	Catalogue: <b>20227</b>	Model: <b>EC360C HR</b>
Brand: <b>Volvo</b>	Serial: <b>190001-</b>	Group/Section: <b>215/100</b>	Title: <b>Timing gear casing and gears</b>



Section option	Kit	Option description
VOE8188757		Engine D12D-P
VOE8285527		Engine with Epa label EMISSION CERTIFICATED FROM EU&EPA

Q1-Q5	Option	Option description
Q1 ENG - 656061		
Q2 ENG 656062 -		

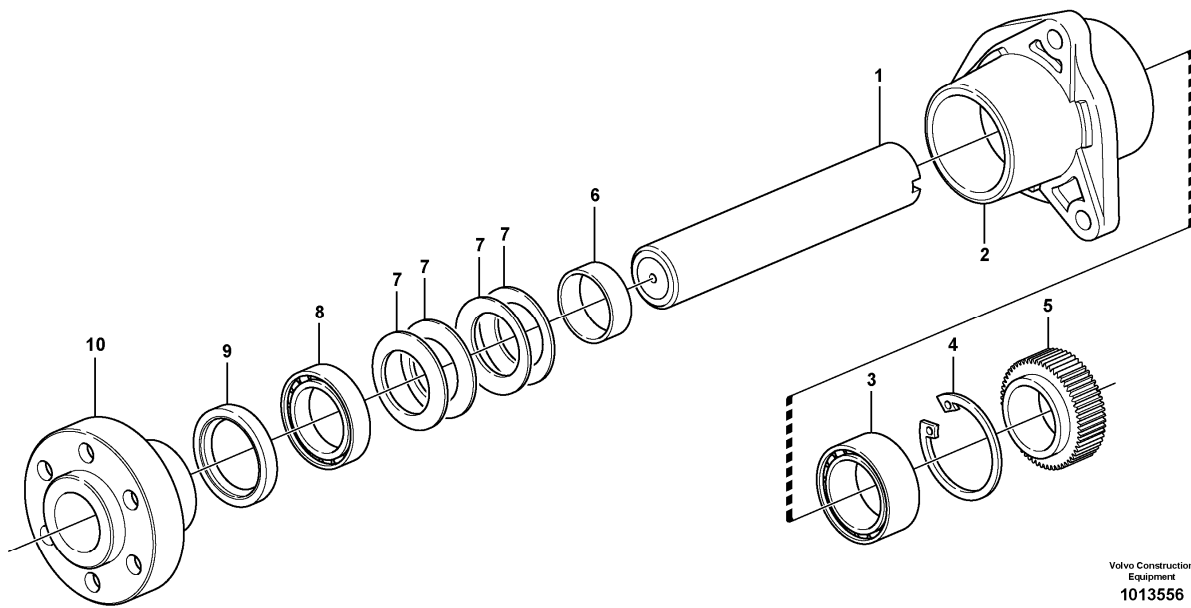
Pos	Part	Q1	Q2	Q3	Q4	Q5	PS	Kit	Description	Option(s)	Remark
1	VOE8170561	1	1						Xmsn Plate		
2	VOE946470	17	17						Flange screw		
3	VOE20489341	1	1						Gasket		
4	VOE11128611	1	1						Bearing housing		
5	VOE13949736	1	1						O-ring		
6	VOE965197	4	4						Flange screw		(VOE13965197)
7	VOE1556208	1	1						Cover		



8	VOE13948888	1	1					O-ring		
9	VOE8170193	1	1					Idler gear		
10	VOE8170219	2	2					Hub		
11	VOE8170220	3	3					Thrust washer		
12	VOE3184865	3	3					Thrust washer		
13	VOE3184868	3	3					Bearing shield		
14	VOE21344754	18	18					Screw		
15	VOE8170195	1	1					Idler gear		
16	VOE8170197	1	1					Idler gear		
17	VOE8170199	1	1					Hub		
18		1	1					Gear		See ref 215/300
19		1	1					Idler gear		See ref 221/200
20		1	1					Gear		See ref 221/200
21		1	1					Gear		See ref 262/100
22	VOE20713791	1	1					Tmg Gear Cover		
23	VOE3830184	1	1					Sealing		
24	VOE968553	1	1					Flange screw		M8 x 115 MM
25	VOE13965182	3	3					Screw		M8 x 80 MM
26	VOE13965183	1	1					Flange screw		M8 x 90 MM
27	VOE13965190	1	1					Screw		M10 x 100 MM
28	VOE13965223	1	1					Screw		M10 x 75 MM
	VOE13947790	2	2					Screw		M10 x 80 MM
29	VOE3964803	1	1					Plug		
30	VOE20555696	1	1					Sealing ring		
31	VOE946440	2	2					Flange screw		
32	VOE20714247	1	1					Seg moulding		
33	VOE21122283	1					SS	Timing gear cover		
33	VOE21424752		1					Timing gear cover		
33	VOE21206533	1	1					•Timing gear cover		
33	VOE3595444	1	1				NS	••Tmg gear cover		
34	VOE467367	1	1					••Plug		
35	VOE1556907	1	1					••Gasket		
36	VOE13960632	1	1					••Plug		
37	VOE948884	1	1					••Plane gasket		
38	VOE1547940	2	2					••Sleeve		
39	VOE85108423	1						•Crankshaft seal		
39	VOE21081526		1				NS	•Crankshaft Seal		
40	VOE11713514	REQ	REQ					Sealant		310 GRAM
	VOE1161277	REQ	REQ					Sealant		10 ML
41	VOE973096	4	4					Flange screw		M10 x 130 MM
42	VOE13947790	2	2					Screw		M10 x 80 MM
	VOE946440	4	4					Flange screw		M8 x 16 MM
43	VOE13965183	1	1					Flange screw		M8 x 90 MM
44	VOE946473	4	4					Flange screw		M12 x 90 MM
45	VOE955302	11	11					Hexagon screw		M8 x 60 MM
	VOE965181	1	1					Flange screw		M8 x 70 MM
46		1	1					Driving Device		See ref 215/200

47	VOE967344	1	1						O-ring		
48	VOE13946752	1	1						Screw		L = 35 MM
49	VOE3841069	1	1						Pulley		
50	VOE3828400	1	1						Cover		
51	VOE967344	1	1						O-ring		
52	VOE946441	2	2						Flange screw		

Date: <b>2014/1/13</b>	Image id: <b>1013556</b>	Catalogue: <b>20227</b>	Model: <b>EC360C HR</b>
Brand: <b>Volvo</b>	Serial: <b>190001-</b>	Group/Section: <b>215/200</b>	Title: <b>Driving device</b>



Volvo Construction  
Equipment  
1013556

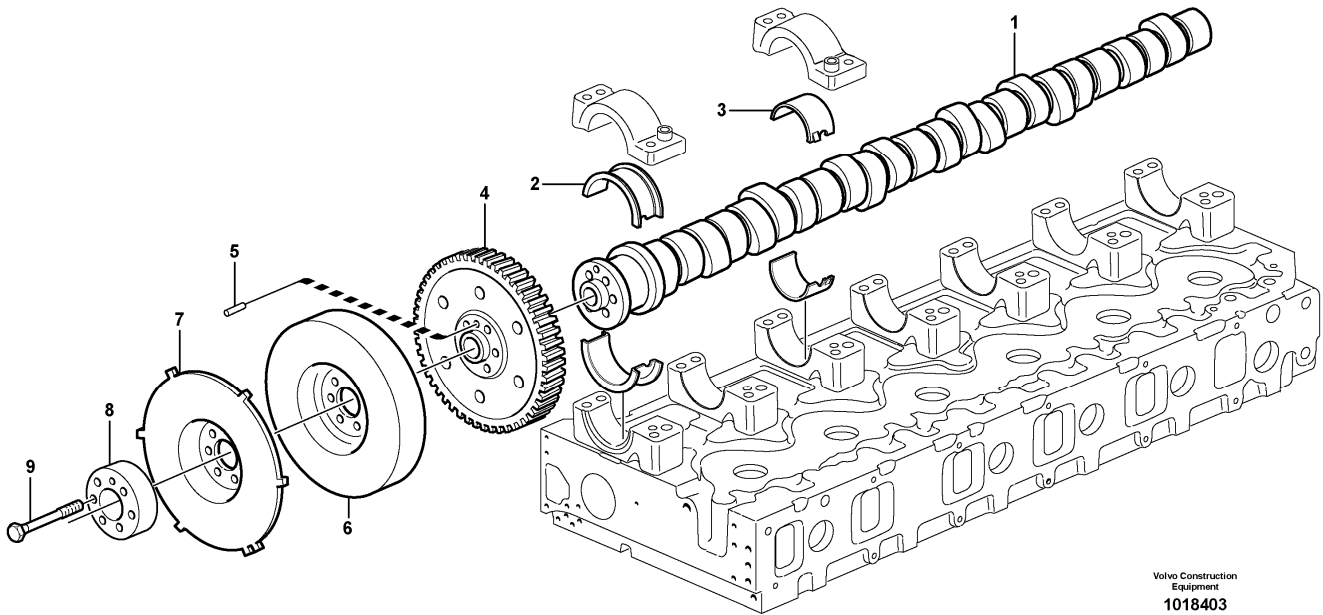
Section option	Kit	Option description
VOE8188757		Engine D12D-P
VOE8285527		Engine with Epa label EMISSION CERTIFICATED FROM EU&EPA

Q1-Q5	Option	Option description
Q1 8285527	VOE8285527	Engine with Epa label EMISSION CERTIFICATED FROM EU&EPA

Pos	Part	Q1	Q2	Q3	Q4	Q5	PS	Kit	Description	Option(s)	Remark
	VOE8193986	1							Driving device		
1	VOE8184821	1					NS		•Axle		
2	VOE8170667	1					OP		•Bearing housing		
3	VOE471499	1							•Ball bearing		
4	VOE914532	1							•Retaining ring		
5	VOE8170240	1					OP		•Gear		
6	VOE8193994	1							•Spacer sleeve		
7	VOE1677558	4					OP		•Disc spring		

8	VOE11013	1							•Ball bearing		
9	VOE1546480	1							•Sealing ring		
10	VOE1547846	1					OP		•Hub		

Date: <b>2014/1/13</b>	Image id: <b>1018403</b>	Catalogue: <b>20227</b>	Model: <b>EC360C HR</b>
Brand: <b>Volvo</b>	Serial: <b>190001-</b>	Group/Section: <b>215/300</b>	Title: <b>Camshaft</b>



Volvo Construction  
Equipment  
1018403

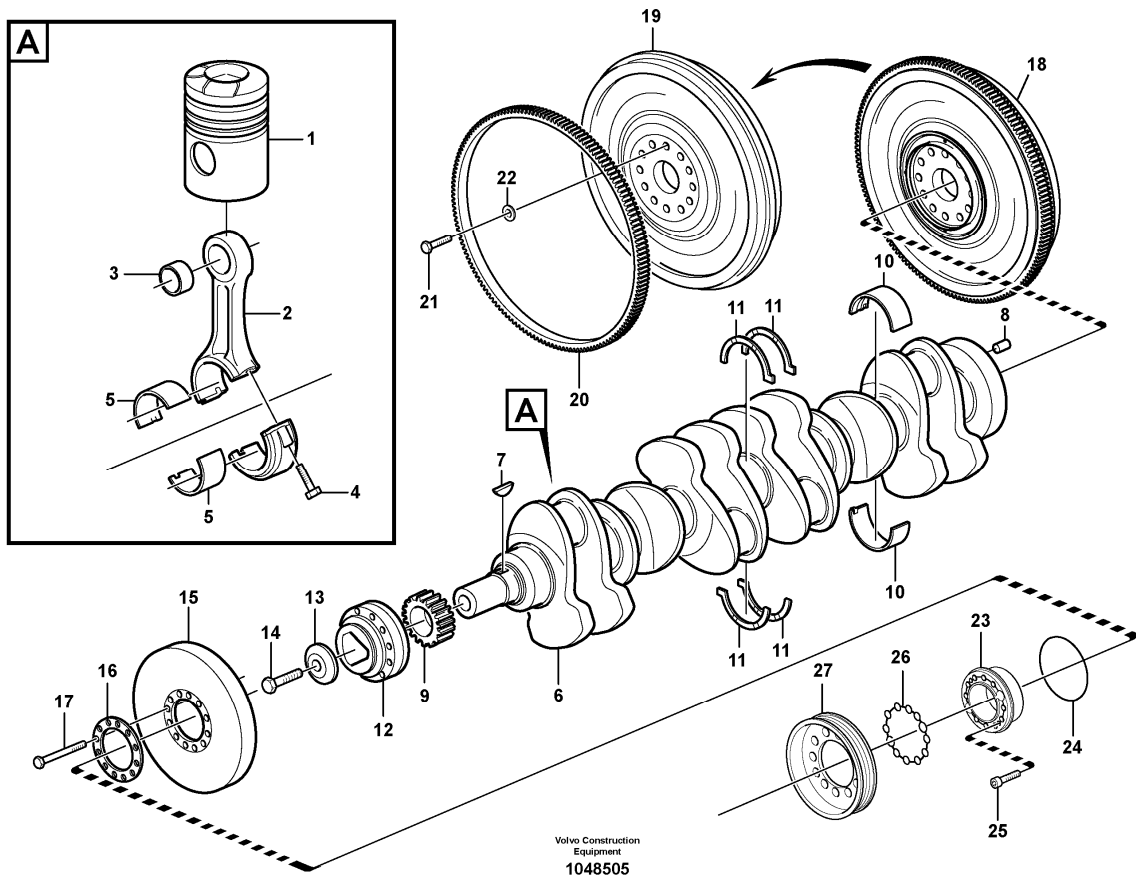
Section option	Kit	Option description
VOE8188757		Engine D12D-P
VOE8285527		Engine with Epa label EMISSION CERTIFICATED FROM EU&EPA

Q1-Q5	Option	Option description
Q1 8285527	VOE8285527	Engine with Epa label EMISSION CERTIFICATED FROM EU&EPA

Pos	Part	Q1	Q2	Q3	Q4	Q5	PS	Kit	Description	Option(s)	Remark
1	VOE20576909	1							Camshaft		
2	VOE20503200	1							Bearing shell kit		
		2					NS		•Bearing Shell		
3	VOE276630	6							Bearing shell kit		
	VOE1677212	12							•Bearing shell		STD
	VOE1677551	12							Bearing shell		0,25 UZ
4	VOE20450344	1							Gear		
5	VOE950572	1							•Grooving tool		

6	VOE8170954	1							Vibration damper		
7	VOE3155166	1							Tooth Wheel		
8	VOE20440991	1							Spacer		
9	VOE21344765	6							Flange screw		

Date: <b>2014/1/13</b>	Image id: <b>1048505</b>	Catalogue: <b>20227</b>	Model: <b>EC360C HR</b>
Brand: <b>Volvo</b>	Serial: <b>190001-</b>	Group/Section: <b>216/100</b>	Title: <b>Crankshaft and related parts</b>



Section option	Kit	Option description
VOE8188757		Engine D12D-P
VOE8285527		Engine with Epa label EMISSION CERTIFICATED FROM EU&EPA

Q1-Q5	Option	Option description
Q1 8285527	VOE8285527	Engine with Epa label EMISSION CERTIFICATED FROM EU&EPA

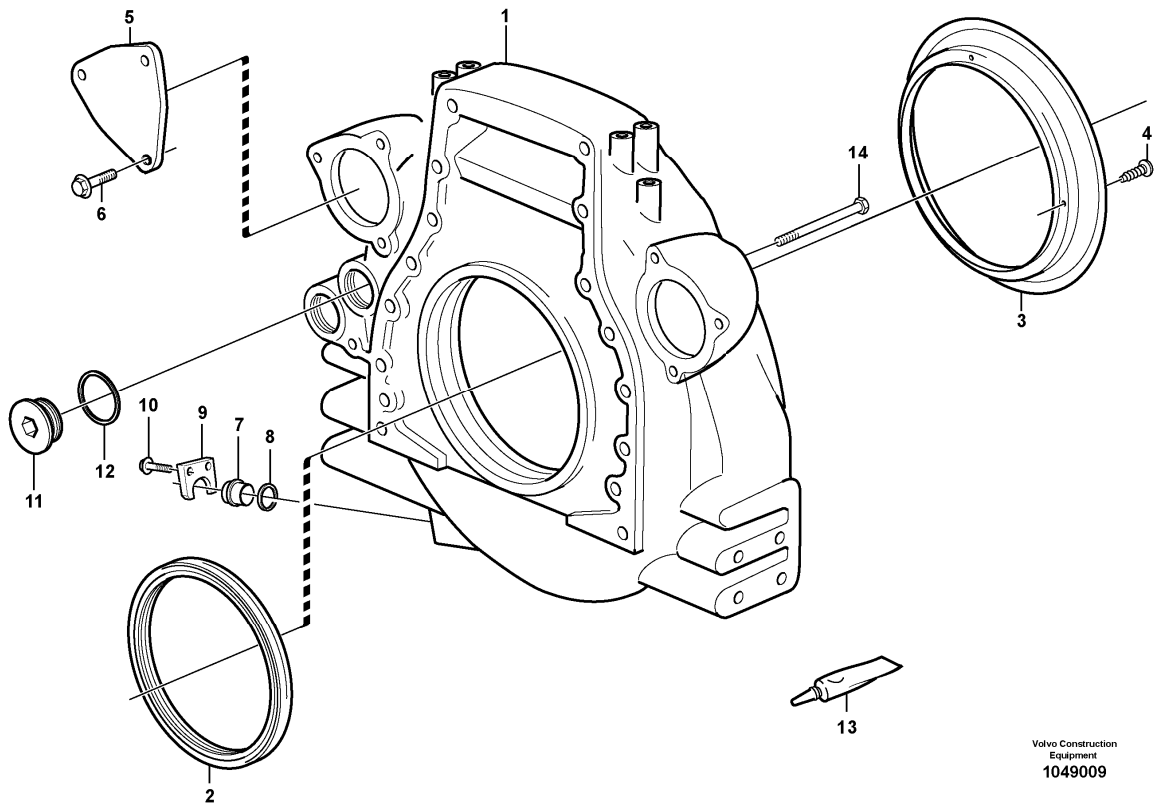
Pos	Part	Q1	Q2	Q3	Q4	Q5	PS	Kit	Description	Option(s)	Remark
1		6							Piston		See ref 213/100
	VOE20412200	6							Connecting rod		
2	VOE20412201	6					NS		•Connecting rod		
3	VOE20381185	6							•Bushing		
4	VOE1543035	12							•Screw		
5	VOE276134	REQ							Big End Brg Kit		STD
	VOE276135	REQ							Big End Brg Kit		0,25 MM U SZ
	VOE276136	REQ							Big End Brg Kit		0,50 MM U SZ

	VOE276137	REQ							Big End Brg Kit		0,75 MM U SZ
	VOE276334	REQ							Big End Brg Kit		1,00 MM U SZ
	VOE276349	REQ							Big End Brg Kit		1,25 MM U SZ
	VOE20533089	1							Crankshaft		See footnote 1)
6		1					NS		•Crankshaft		
7	VOE422253	1							•Key		
8	VOE950644	1							•Pin		
9	VOE8170192	1							Gear		
10	VOE20530916	7							Mn Bearing Kit		STD
	VOE20578624	7							Main Bearing		0,25 MM U SZ
	VOE20578625	7							Main Bearing		0,50 MM U SZ
	VOE20578626	7					OP		Main Bearing		0,75 MM U SZ
	VOE20578627	7							Main Bearing		1,00 MM U SZ
	VOE20578628	7							Main Bearing		1,25 MM U SZ
11	VOE21267844	1							Thrust washer		STD, Kit
	VOE21267847	1							Thrust washer		0,1 MM O SZ, Kit
12	VOE11707317	1							Hub		
13	VOE422124	1							Washer		
14	VOE1543316	1							Screw		
15	VOE8193930	1							Vibration damper		
16	VOE8193962	1							Washer		
17	VOE13970887	10							Hexagon screw		
18	VOE11127311	1							Flywheel		
19	VOE11127305	1					NS		•Flywheel		
20	VOE20711957	1							•Ring gear		
21	VOE1677893	14							Screw		
22	VOE1543563	14							Washer		
23	VOE21243814	1							Companion flange		
24	VOE13945512	1							O-ring		
25	VOE3595265	2							Screw		
26	VOE3827530	1							Sealing ring		
27	VOE11423028	1							Pulley		

1) Replacement version



Date: <b>2014/1/13</b>	Image id: <b>1049009</b>	Catalogue: <b>20227</b>	Model: <b>EC360C HR</b>
Brand: <b>Volvo</b>	Serial: <b>190001-</b>	Group/Section: <b>216/200</b>	Title: <b>Flywheel housing</b>



Volvo Construction  
Equipment  
1049009

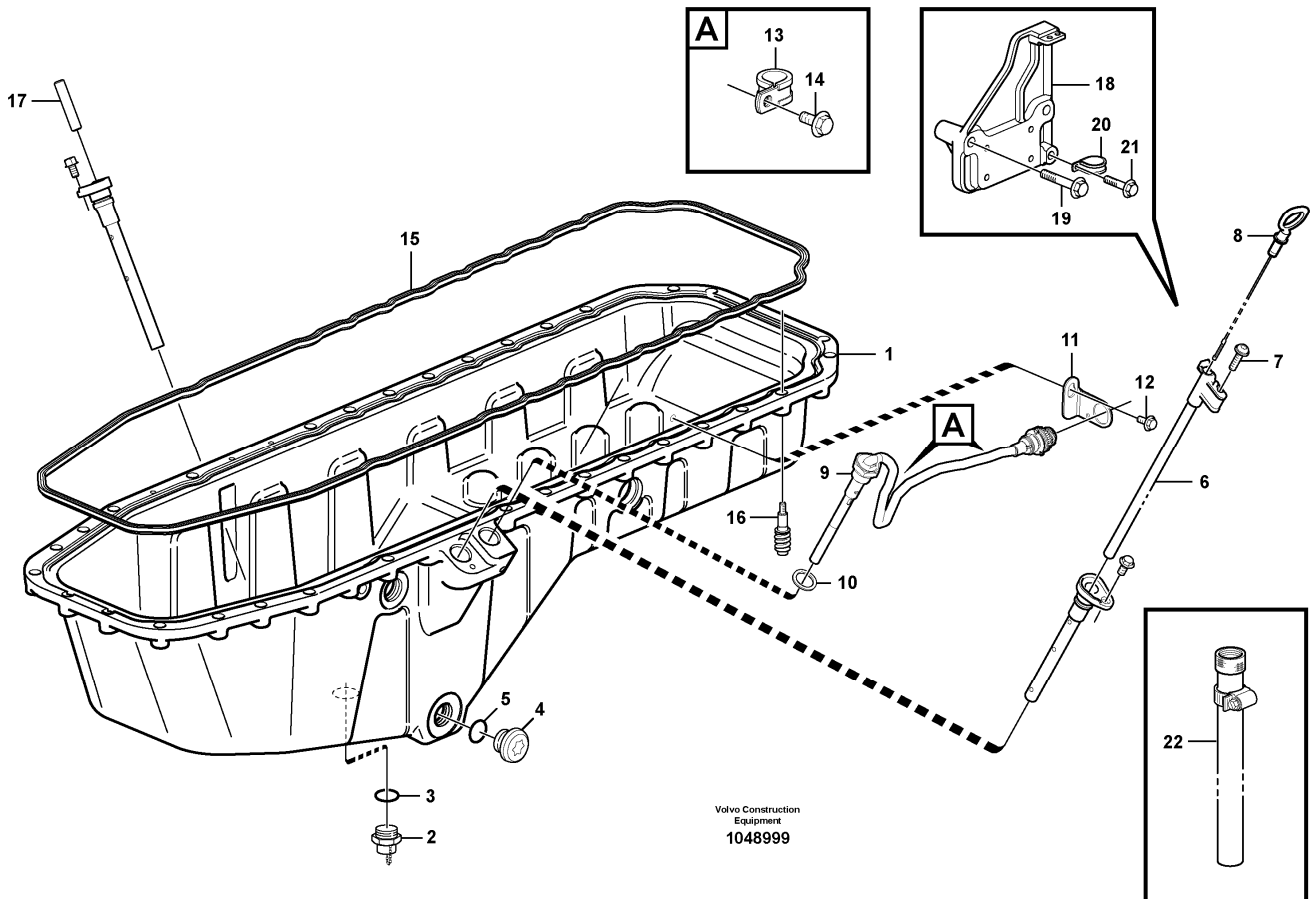
Section option	Kit	Option description
VOE8188757		Engine D12D-P
VOE8285527		Engine with Epa label EMISSION CERTIFICATED FROM EU&EPA

Q1-Q5	Option	Option description
Q1 8285527	VOE8285527	Engine with Epa label EMISSION CERTIFICATED FROM EU&EPA

Pos	Part	Q1	Q2	Q3	Q4	Q5	PS	Kit	Description	Option(s)	Remark
	VOE11030273	1							Flywheel housing		
1	VOE11030245	1					OP		•Flywheel housing		
2	VOE1543896	1							•Sealing ring		
3	VOE11030271	1							•Oil deflector ring		
4	VOE13905650	4							•Drive screw		
5	VOE849135	1					OP		Cover		
6	VOE946502	3							Flange screw		
7	VOE11031785	1							Plug		

8	VOE421158	1							Sealing ring		
9	VOE11031769	1							Lock washer		
10	VOE13966378	2							Flange screw		
11	VOE15134976	2							Plug		
12	VOE1556907	2							Gasket		
13	VOE1161277	REQ							Sealant		20 GRAM
	VOE11713514	REQ							Sealant		
14	VOE13966364	8							Flange screw		L = 70 MM
	VOE13966366	2							Flange screw		L = 90 MM
	VOE13966371	2							Flange screw		L = 140 MM

Date: <b>2014/1/13</b>	Image id: <b>1048999</b>	Catalogue: <b>20227</b>	Model: <b>EC360C HR</b>
Brand: <b>Volvo</b>	Serial: <b>190001-</b>	Group/Section: <b>217/100</b>	Title: <b>Oil sump with mounting parts</b>



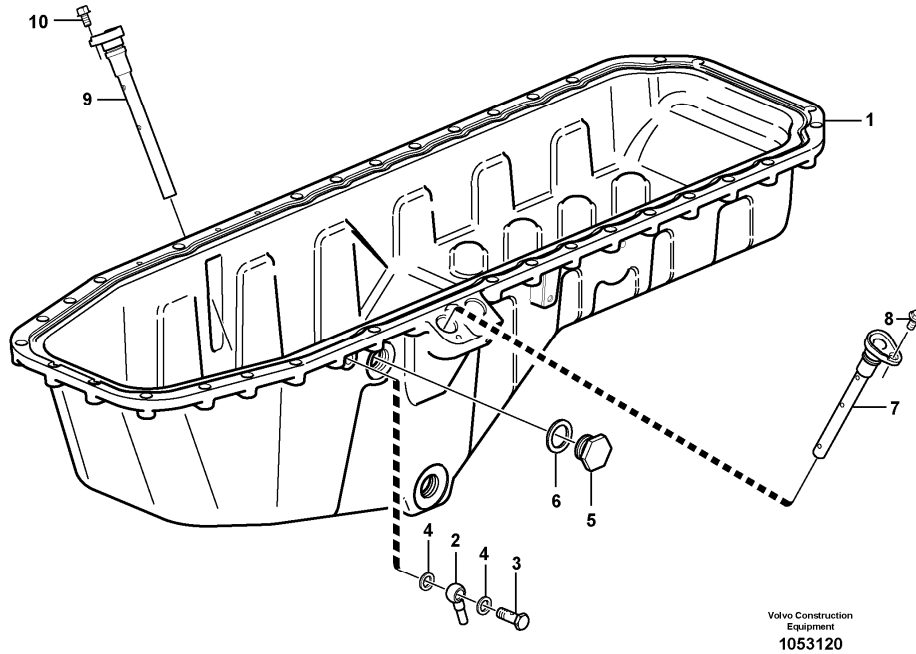
Section option	Kit	Option description
VOE8188757		Engine D12D-P
VOE8285527		Engine with Epa label EMISSION CERTIFICATED FROM EU&EPA

Q1-Q5	Option	Option description
Q1 8285527	VOE8285527	Engine with Epa label EMISSION CERTIFICATED FROM EU&EPA

Pos	Part	Q1	Q2	Q3	Q4	Q5	PS	Kit	Description	Option(s)	Remark
1		1							Oil Pan		See ref 217/200
2	VOE11127648	1					SS		Valve		ENG - 650902
2	VOE15128018	1							Valve		ENG 650903 -
3	VOE982509	1							Gasket		ENG - 650902
4	VOE11127354	1							Plug		
5	VOE13948610	1							O-ring		
6	VOE11423484	1							Oil dipstick		
7	VOE975371	1							Six point socket		

								screw		
8	VOE11423481	1						Oil dipstick		L = 918 MM
9	VOE11423761	1						Oil level sensor		
10	VOE949329	1						Gasket		
11	VOE3988328	1						Bracket		
12	VOE947107	1						Flange screw		
13	VOE949746	2						Clamp		
14	VOE947107	2						Flange screw		
15	VOE20532272	1						Sealing strip		
16	VOE20739547	30						Flange screw		
17	VOE20533484	1						Plug		
18	VOE11423008	1						Bracket		
19	VOE13965187	2						Screw		
20	VOE13949746	1						Clamp		
21	VOE945444	1						Flange screw		
22	VOE11127320	1						Hose		

Date: <b>2014/1/13</b>	Image id: <b>1053120</b>	Catalogue: <b>20227</b>	Model: <b>EC360C HR</b>
Brand: <b>Volvo</b>	Serial: <b>190001-</b>	Group/Section: <b>217/200</b>	Title: <b>Oil sump</b>



Section option	Kit	Option description
VOE8188757		Engine D12D-P
VOE8285527		Engine with Epa label EMISSION CERTIFICATED FROM EU&EPA

Q1-Q5	Option	Option description
Q1 ENG - 653142		
Q2 ENG 653143 -		

Pos	Part	Q1	Q2	Q3	Q4	Q5	PS	Kit	Description	Option(s)	Remark
	VOE15112251	1							Oil sump		(VOE15032723)
	VOE15112271		1						Oil sump		
1	VOE15032512	1					NS		•Oil Pan		
1	VOE15112251		1				SS		•Oil sump		
2	VOE11423224	1	1						•Tube		
3	VOE7025167	1	1						•Hollow screw		
4	VOE976929	2	2						•Gasket		

Thank you so much for reading.  
Please click the “Buy Now!”  
button below to download the  
complete manual.



After you pay.

You can download the most  
perfect and complete manual in  
the world immediately.

Our support email:

[ebooklibonline@outlook.com](mailto:ebooklibonline@outlook.com)