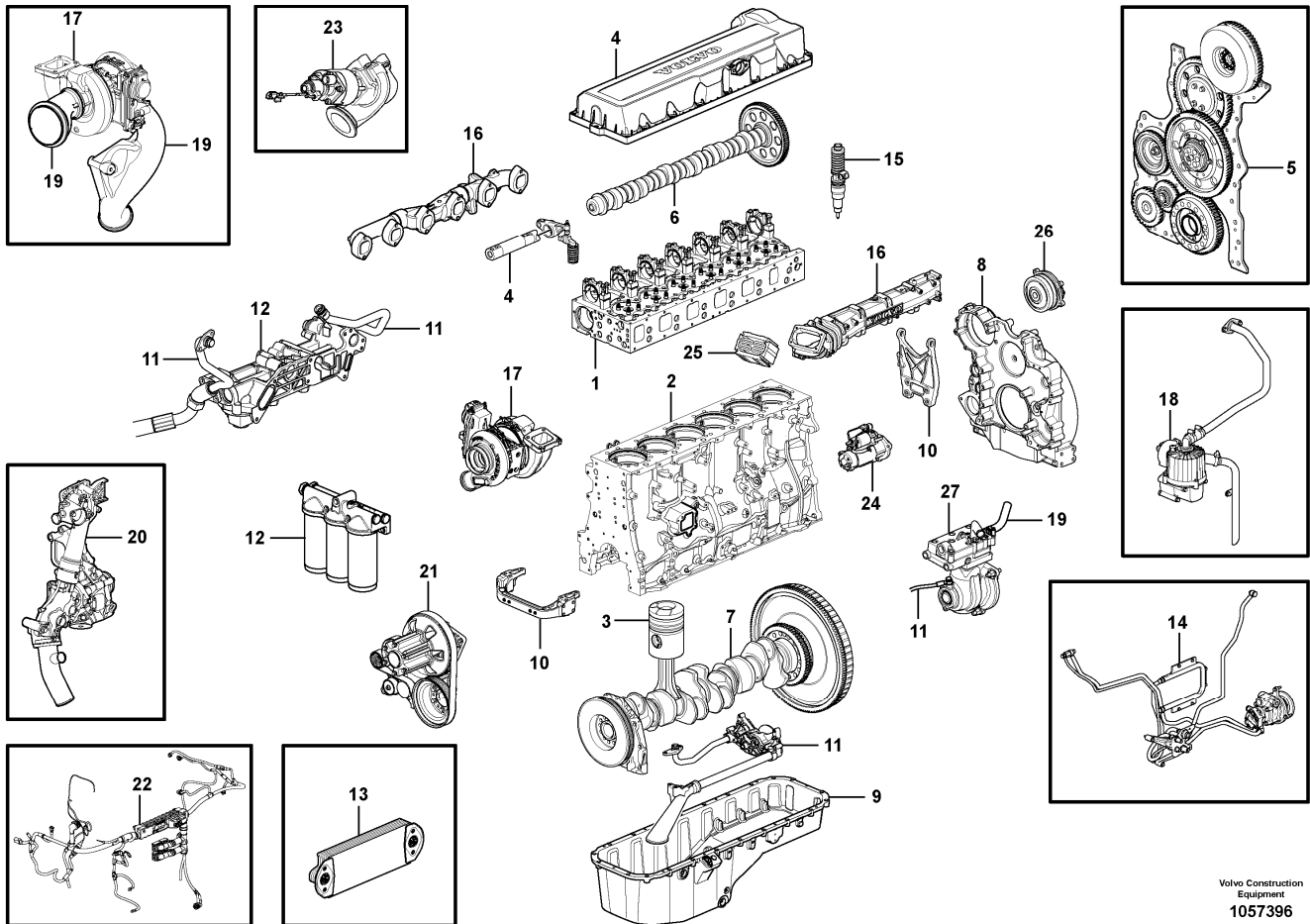


Date: 2014/1/15	Image id: 1057396	Catalogue: 20592	Model: EC380D L
Brand: Volvo	Serial: 210001-	Group/Section: 210/200	Title: Engine



Volvo Construction
Equipment
1057396

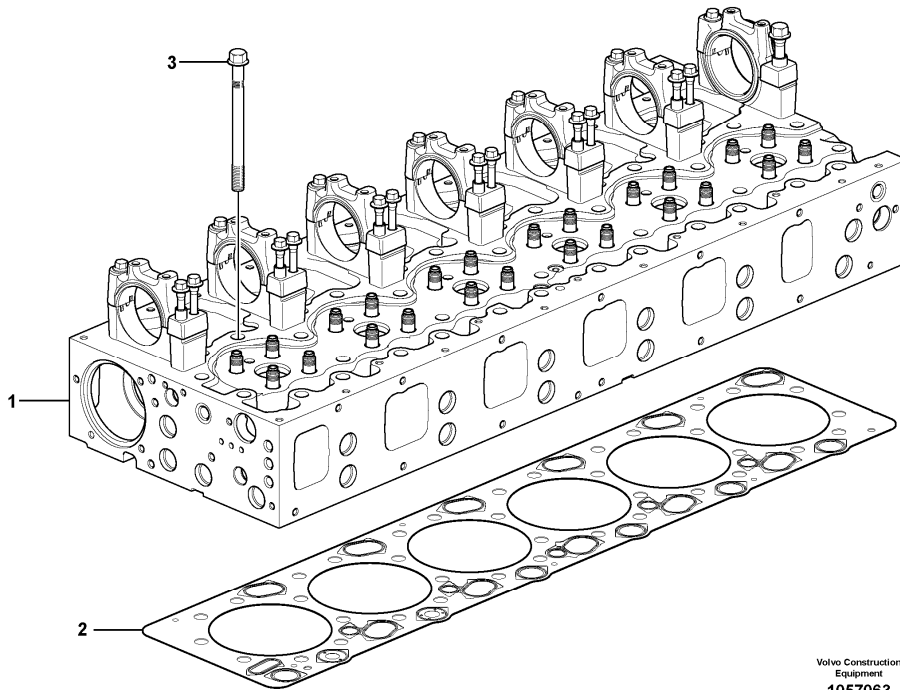
Section option	Kit	Option description
VOE8289891		Engine D13H TIER 4I WITH ASSOCIATED EQUIPMENT
VOE15049434		Engine D13 F-B
VOE15049435		Engine D13 F-D
VOE8289023		Engine D13H STAGE 3B WITH ASSOCIATED EQUIPMENT
VOE8290568		Engine Installation D13 F-D
VOE8290569		Engine Installation D13 F-B
VOE15049436		Engine D13H-C, US
VOE15117871		Engine D13H-D, EU
VOE15173113		Engine D13H, EU/US

Q1-Q5	Option	Option description	
Q1 8289023 8289891	VOE8289023	Engine D13H STAGE 3B WITH ASSOCIATED EQUIPMENT	
Q2 8290568 8290569	VOE8290568	Engine Installation D13 F-D	

Pos	Part	Q1	Q2	Q3	Q4	Q5	PS	Kit	Description	Option(s)	Remark
	VOE15173113	1							Engine		See footnote 1) D13H
	VOE17216264		1						Engine		See footnote 1) D13F
1		1							Cylinder head		See ref 211/100
1			1						Cylinder head		See ref 211/125
2		1	1						Cylinder block		See ref 212/100
3		6							Cylinder liner,piston		See ref 213/100
3			6						Cylinder liner,piston		See ref 213/125
4		1							Valve mechanism		See ref 214/100
4			1						Valve mechanism		See ref 214/125
5		1	1						Timing gear casing		See ref 215/100
6		1	1						Camshaft		See ref 215/200
7		1	1						Crankshaft		See ref 216/100
8		1							Flywheel Hsg		See ref 216/200
8			1						Flywheel Hsg		See ref 216/225
9		1	1						Oil sump		See ref 217/100
10		1	1						Engine mounting		See ref 218/200
11		1	1						Lubricating system		See ref 221/100
12		1	1						Oil filter		See ref 222/100
13		1	1						Oil cooler		See ref 223/100
14		1	1						Fuel system		See ref 235/200
15		1	1						Injector		See ref 237/100
16		1							Inlet, exhaust syst.		See ref 251/100
16			1						Inlet, exhaust syst.		See ref 251/125
17		1							Turbocharger		See ref 255/100
17			1						Turbocharger		See ref 255/200
18		1							Crankcase Venti		See ref 257/100
18			1						Crankcase Venti		See ref 257/125
19		1							Chg Air Cooler		See ref 258/100
20		1							Cooling System		See ref 262/100
20			1						Cooling System		See ref 262/125
21		1	1						Belt transmission		See ref 263/100
22		1							Cable harness		See ref 371/300
22			1						Cable harness		See ref 286/125
23		1							EGR valve		See ref 293/100
24		1	1						Starter Motor		See ref 331/100
25		1	1						Starter Element		See ref 333/100
26		1	1						Bearing Housing		See ref 482/100
27		1							Compressor		See ref 561/100

1) Replacement version

Date: 2014/1/15	Image id: 1057063	Catalogue: 20592	Model: EC380D L
Brand: Volvo	Serial: 210001-	Group/Section: 211/100	Title: Cylinder head with fitting parts 8289023, 8289891

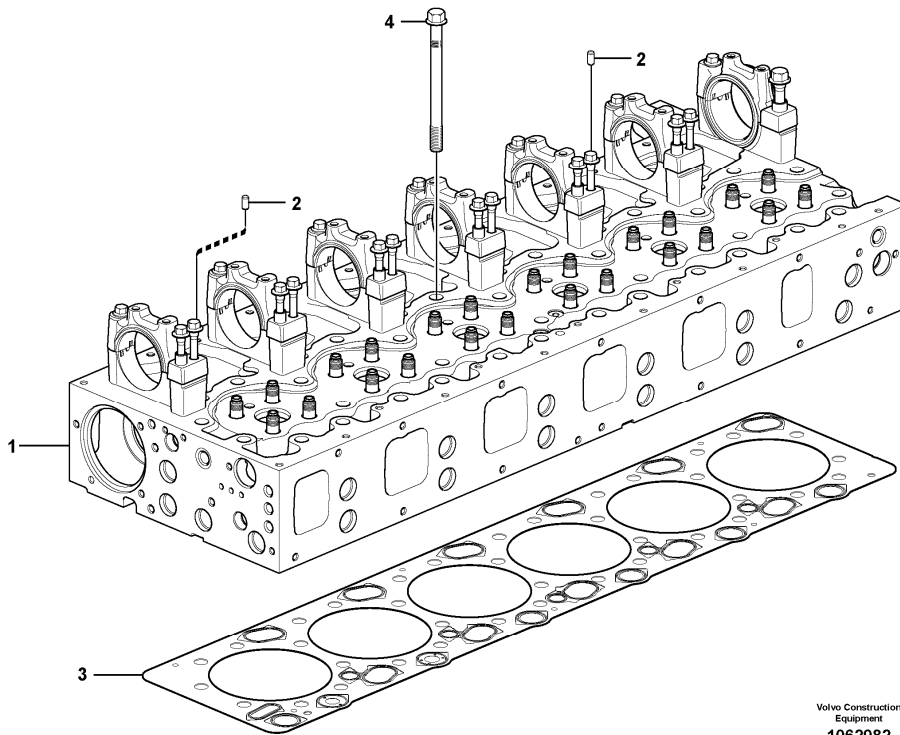


Volvo Construction
Equipment
1057063

Section option	Kit	Option description
VOE8289891		Engine D13H TIER 4I WITH ASSOCIATED EQUIPMENT
VOE8289023		Engine D13H STAGE 3B WITH ASSOCIATED EQUIPMENT
VOE15049436		Engine D13H-C, US
VOE15117871		Engine D13H-D, EU

Pos	Part	Q1	Q2	Q3	Q4	Q5	PS	Kit	Description	Option(s)	Remark
1		1							Cylinder head		See ref 211/200
2	VOE21313537	1							Cylinder head gasket		
3	VOE21345131	38							Screw		

Date: 2014/1/15	Image id: 1062982	Catalogue: 20592	Model: EC380D L
Brand: Volvo	Serial: 210001-	Group/Section: 211/125	Title: Cylinder head with fitting parts 8290568, 8290569

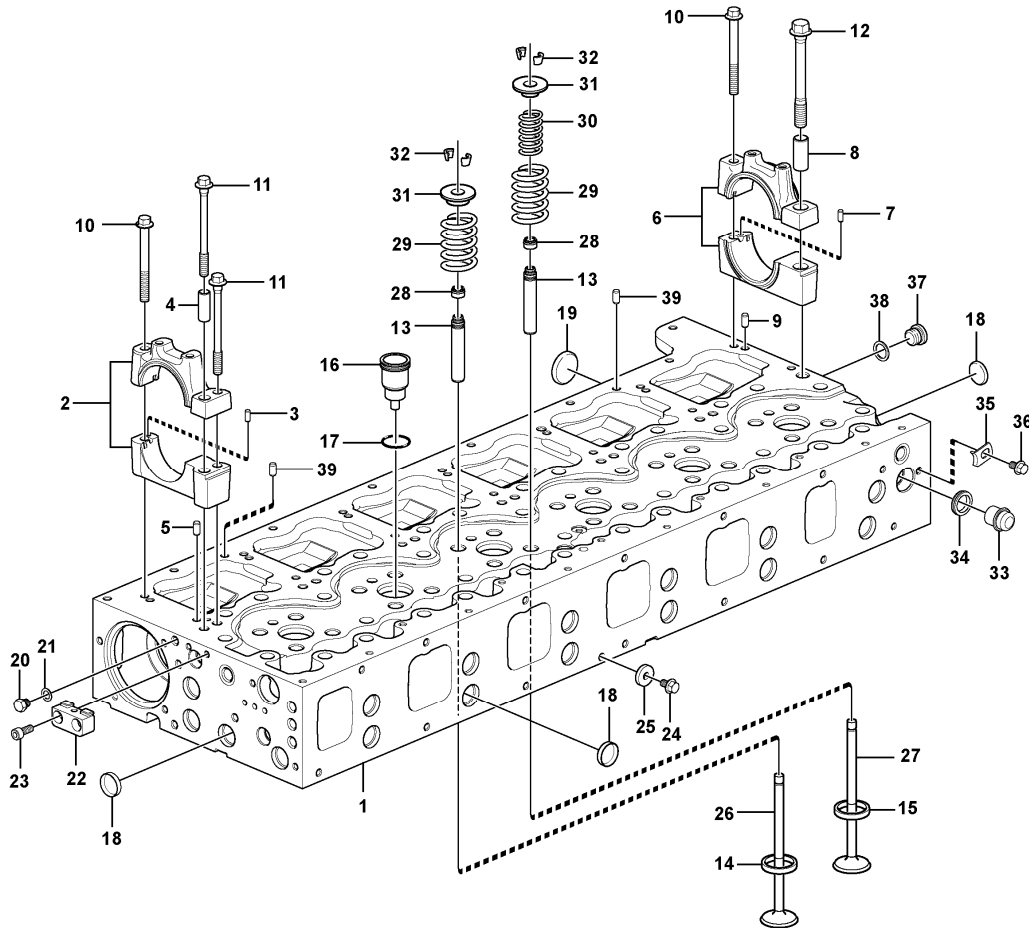


Volvo Construction
Equipment
1062982

Section option	Kit	Option description
VOE15049434		Engine D13 F-B
VOE15049435		Engine D13 F-D
VOE8290568		Engine Installation D13 F-D
VOE8290569		Engine Installation D13 F-B

Pos	Part	Q1	Q2	Q3	Q4	Q5	PS	Kit	Description	Option(s)	Remark
1		1							Cylinder head		See ref 211/225
2	VOE20908338	2							Guide		
3	VOE21313537	1							Cylinder gasket head		
4	VOE21345131	38							Screw		

Date: 2014/1/15	Image id: 1057077	Catalogue: 20592	Model: EC380D L
Brand: Volvo	Serial: 210001-	Group/Section: 211/200	Title: Cylinder head 8289023, 8289891



Volvo Construction
Equipment
1057077

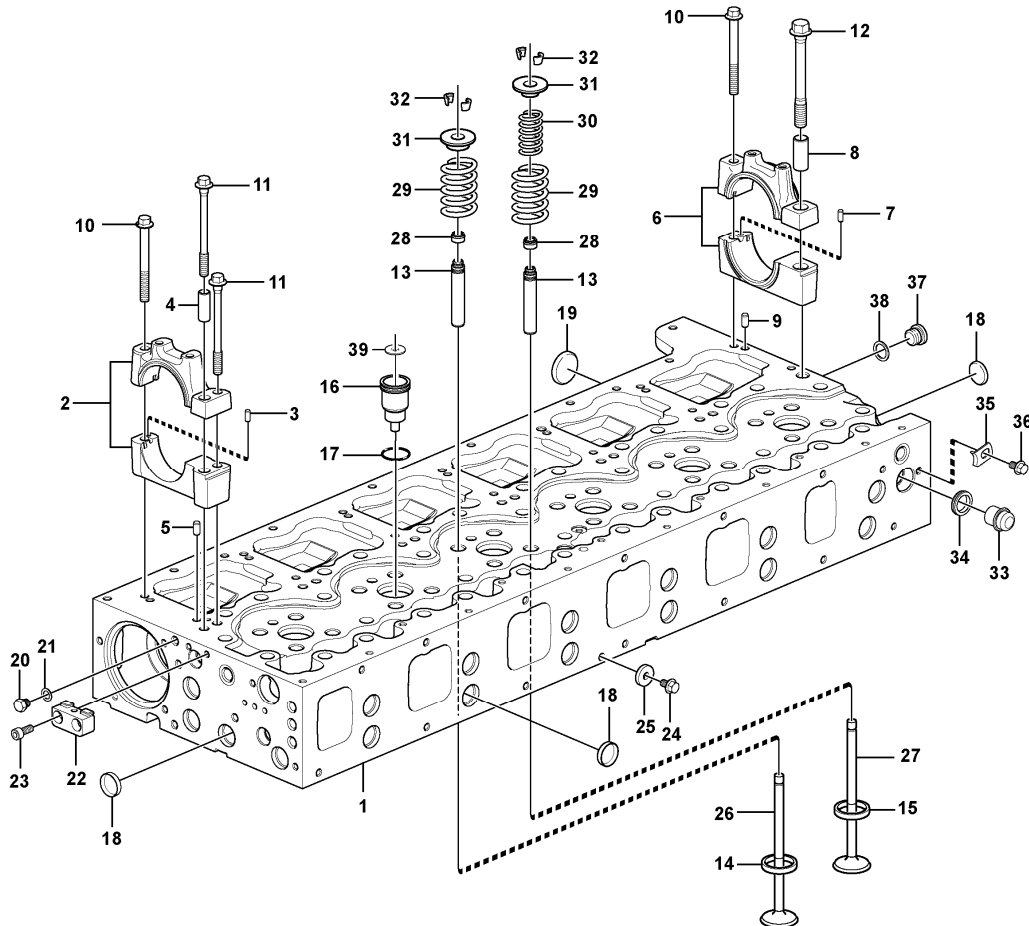
Section option	Kit	Option description
VOE8289891		Engine D13H TIER 4I WITH ASSOCIATED EQUIPMENT
VOE8289023		Engine D13H STAGE 3B WITH ASSOCIATED EQUIPMENT
VOE15049436		Engine D13H-C, US
VOE15117871		Engine D13H-D, EU

Pos	Part	Q1	Q2	Q3	Q4	Q5	PS	Kit	Description	Option(s)	Remark
1	VOE21460896	1							Cylinder head		See footnote 1)
1	VOE21458124	1					NS		•Cylinder head		
1	VOE21280089	1					NS		••Cylinder head		
2	VOE20813823	6					NS		••Bearing Housing		1 - 6
3	VOE950542	6							•••Pin		
4	VOE1677189	6					NS		•••Pin		
5	VOE950562	12							•••Pin		
6	VOE20907267	1					NS		••Bearing Housing		
7	VOE950542	1							•••Pin		

8	VOE1636468	1					NS		•••Sleeve		
9	VOE950562	2							•••Pin		
10	VOE13975105	7							••Flange screw		
11	VOE21344778	12							••Flange screw		
12	VOE20412482	1							••Flange screw		
13	VOE20904074	24							••Valve guide		
14	VOE20740804	12							••Valve seat		INLET
15	VOE20530103	12							••Valve seat		EXHAUST
16	VOE21515329	6							••Injector sleeve		
16	VOE21401136	6					NS		•••Sleeve		
17	VOE20536487	6							•••O-ring		
18	VOE24426721	21							••Cap plug		OD = 29 mm
19	VOE24426722	5							••Cap plug		OD = 40 mm
	VOE1161370	REQ							••Locking fluid		50 ml
	VOE1161059	REQ							••Sealant		LOCTIT 510
20	VOE960628	1							•Plug		
21	VOE13947281	1							•Gasket		
22	VOE20559837	1					NS		•Bracket		
23	VOE959220	2							•Allen Hd Screw		
24	VOE13944926	1							•Screw		
25	VOE945583	1					NS		•Washer		
26	VOE20740798	12							•Inlet valve		
27	VOE20768519	12							•Exhaust valve		
28	VOE20864662	24							•Valve seal		
29	VOE21310068	24							•Valve spring		OUTER
30	VOE3183211	12							•Valve spring		EXHAUST, INNER
31	VOE20510743	24							•Valve spring washer		
32	VOE20510747	48							•Valve cotter		
33	VOE1546528	1							•Plug		
34	VOE1547252	1							•Sealing ring		
35	VOE1546531	1							•Lock brace		
36	VOE947107	1							•Flange screw		
37	VOE13966143	1							•Plug		
38	VOE13947622	1							•Plane gasket		
39	VOE20908338	2							•Guide		

1) Replacement version

Date: 2014/1/15	Image id: 1058398	Catalogue: 20592	Model: EC380D L
Brand: Volvo	Serial: 210001-	Group/Section: 211/225	Title: Cylinder head 8290568, 8290569



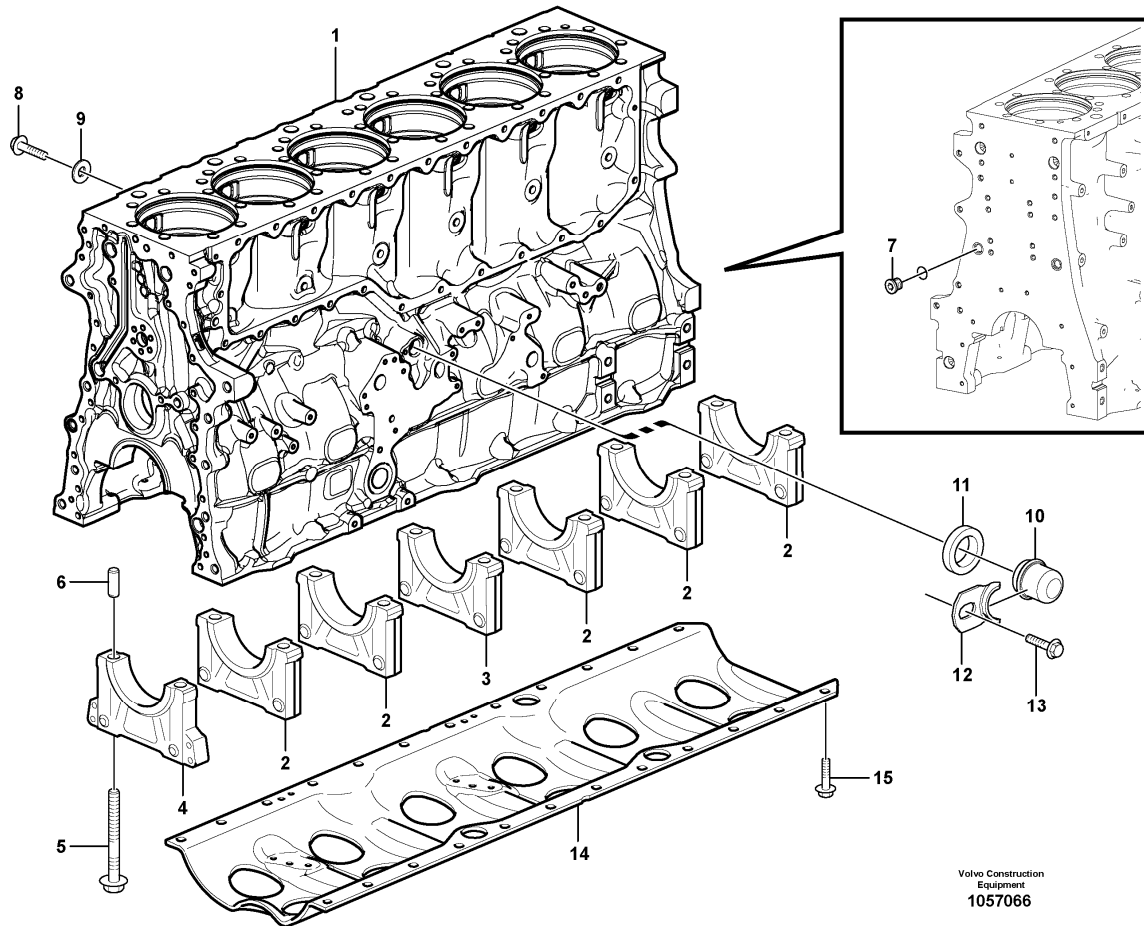
Volvo Construction
Equipment
1058398

Section option	Kit	Option description
VOE15049434		Engine D13 F-B
VOE15049435		Engine D13 F-D
VOE8290568		Engine Installation D13 F-D
VOE8290569		Engine Installation D13 F-B

Pos	Part	Q1	Q2	Q3	Q4	Q5	PS	Kit	Description	Option(s)	Remark
1	VOE21297143	1							Cylinder head		
1	VOE21337975	1					SE		•Cylinder head		
1	VOE21280089	1					NS		••Cylinder head		
2	VOE20813823	6					NS		••Bearing Housing		NO 1 - 6
2	VOE20813826	6					NS		•••Bearing Housing		
3	VOE950542	6							•••Pin		
4	VOE1677189	6					NS		•••Pin		
5	VOE950562	12							•••Pin		
6	VOE20907267	1					NS		••Bearing Housing		REAR

6	VOE20907259	1					NS		•••Bearing Housing		
7	VOE950542	1							•••Pin		
8	VOE1636468	1					NS		•••Sleeve		
9	VOE950562	2							•••Pin		
10	VOE13975105	7							••Flange screw		
11	VOE21344778	12							••Flange screw		
12	VOE20412482	1							••Flange screw		
13	VOE20904074	24							••Valve guide		
14	VOE20561997	12							••Valve seat		INLET
15	VOE20530103	12							••Valve seat		EXHAUST
16	VOE20981856	6							••Sleeve		
17	VOE20536487	6							••O-ring		
18	VOE24426721	21							••Cap plug		OD = 29 mm
19	VOE24426722	5							••Cap plug		OD = 40 mm
20	VOE960628	1							•Plug		
21	VOE13947281	1							•Gasket		
22	VOE20559837	1					NS		•Bracket		
23	VOE959220	2							•Allen Hd Screw		
24	VOE13944926	1							•Screw		
25	VOE945583	1					NS		•Washer		
26	VOE20740798	12							•Inlet valve		
27	VOE21016539	12							•Exhaust valve		
28	VOE20864662	24							•Valve seal		
29	VOE21310068	24							•Valve spring		OUTER
30	VOE3183211	12							•Valve spring		INNER
31	VOE20510743	24							•Valve spring washer		
32	VOE20510747	48							•Valve cotter		
33	VOE1546528	1							•Plug		
34	VOE1547252	1							•Sealing ring		
35	VOE1546531	1							•Lock brace		
36	VOE947107	1							•Flange screw		
37	VOE13966143	1							•Plug		
38	VOE13947622	1							•Plane gasket		
39	VOE21261987	6							•Gasket		

Date: 2014/1/15	Image id: 1057066	Catalogue: 20592	Model: EC380D L
Brand: Volvo	Serial: 210001-	Group/Section: 212/100	Title: Cylinder block 8289023, 8289891, 8290568, 8290569

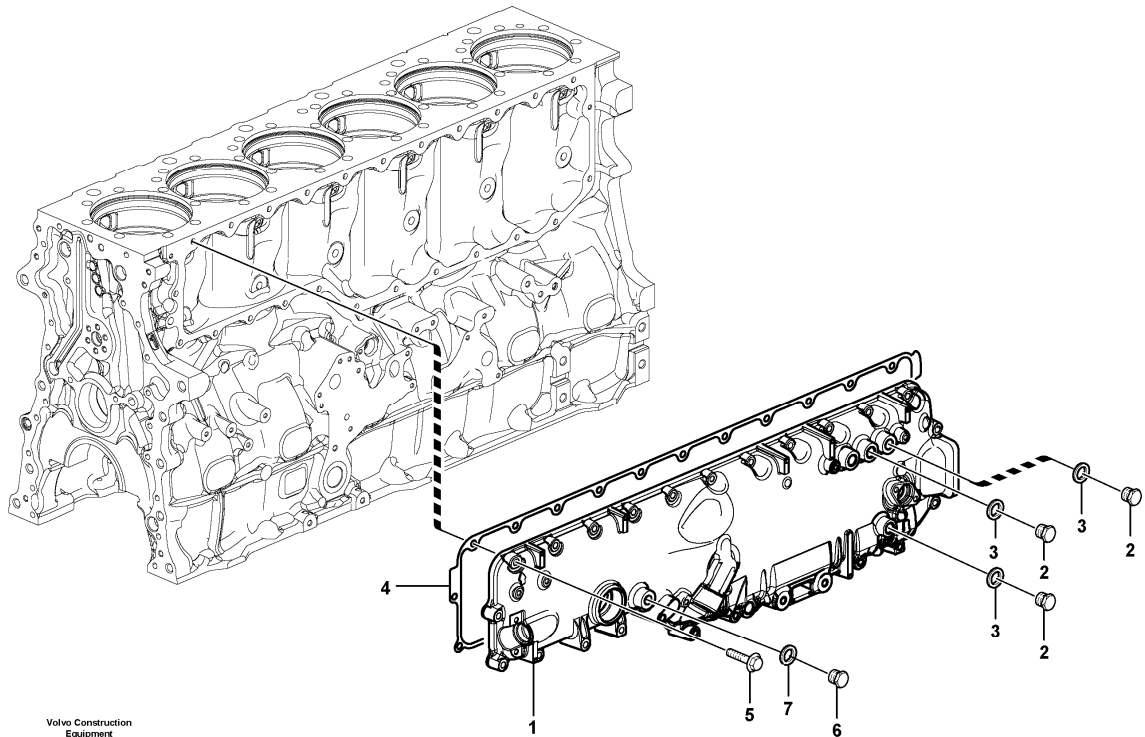


Section option	Kit	Option description
VOE8289891		Engine D13H TIER 4I WITH ASSOCIATED EQUIPMENT
VOE15049434		Engine D13 F-B
VOE15049435		Engine D13 F-D
VOE8289023		Engine D13H STAGE 3B WITH ASSOCIATED EQUIPMENT
VOE8290568		Engine Installation D13 F-D
VOE8290569		Engine Installation D13 F-B
VOE15049436		Engine D13H-C, US
VOE15117871		Engine D13H-D, EU

Pos	Part	Q1	Q2	Q3	Q4	Q5	PS	Kit	Description	Option(s)	Remark
	VOE21048297	1							Cylinder block		
1	VOE21048301	1					NS		•Cylinder Block		
2	VOE8148427	5					NS		•Main Bearing Cap		1, 2, 3, 5, 6
3	VOE8148428	1					NS		•Main Bearing Cap		4
4	VOE20511488	1					NS		•Main Bearing Cap		7

5	VOE21345129	14							•Screw		
6	VOE422426	1							•Pin		
7	VOE984793	3							Plug		
8	VOE946441	2							Flange screw		
9	VOE947541	2							Washer		
10	VOE20567779	1							Plug		
11	VOE1547255	1							Sealing ring		
12	VOE20844430	1							Lock brace		
13	VOE946440	1							Flange screw		
14	VOE20499612	1							Frame		
15	VOE946472	24							Flange screw		

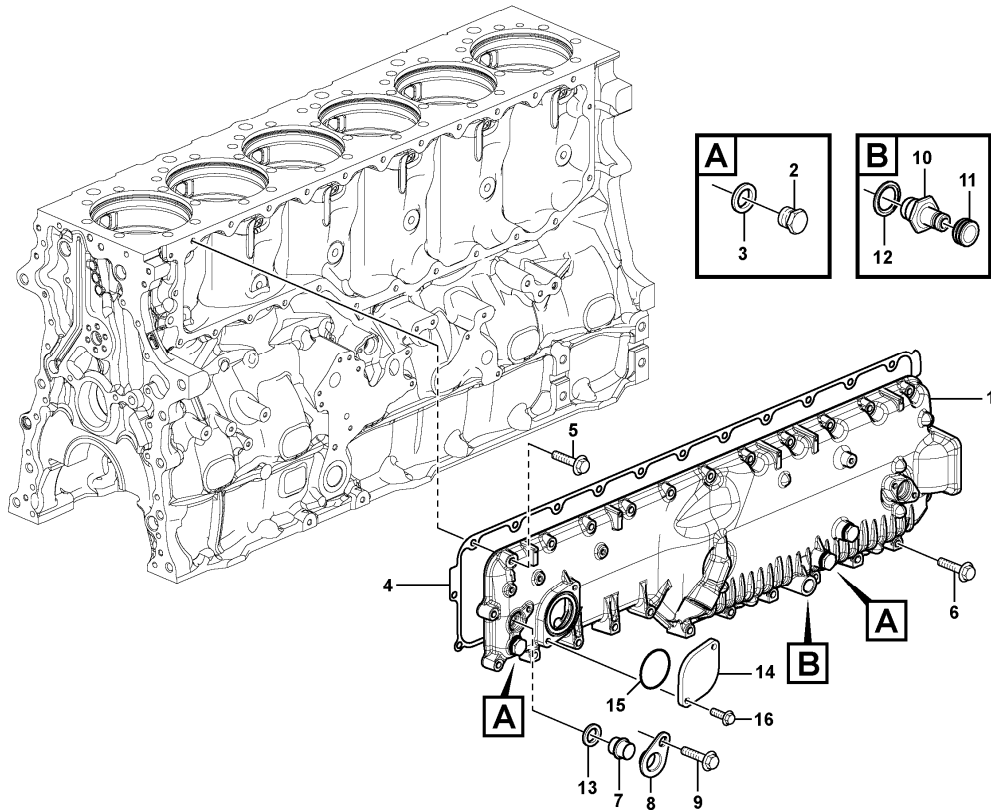
Date: 2014/1/15	Image id: 1057070	Catalogue: 20592	Model: EC380D L
Brand: Volvo	Serial: 210001-	Group/Section: 212/200	Title: Cover 8289023, 8289891



Section option	Kit	Option description
VOE8289891		Engine D13H TIER 4I WITH ASSOCIATED EQUIPMENT
VOE8289023		Engine D13H STAGE 3B WITH ASSOCIATED EQUIPMENT
VOE15049436		Engine D13H-C, US
VOE15117871		Engine D13H-D, EU

Pos	Part	Q1	Q2	Q3	Q4	Q5	PS	Kit	Description	Option(s)	Remark
1	VOE21677248	1							Cover		
2	VOE21666520	3							•Plug		
3	VOE21024032	3							•Sealing ring		
4	VOE21294062	1							Gasket		
5	VOE13948217	14							Screw		L = 45 mm
5	VOE13965181	8							Screw		L = 70 mm
6	VOE960631	1							Plug		
7	VOE982724	1							Gasket		

Date: 2014/1/15	Image id: 1063254	Catalogue: 20592	Model: EC380D L
Brand: Volvo	Serial: 210001-	Group/Section: 212/225	Title: Cover 8290568, 8290569



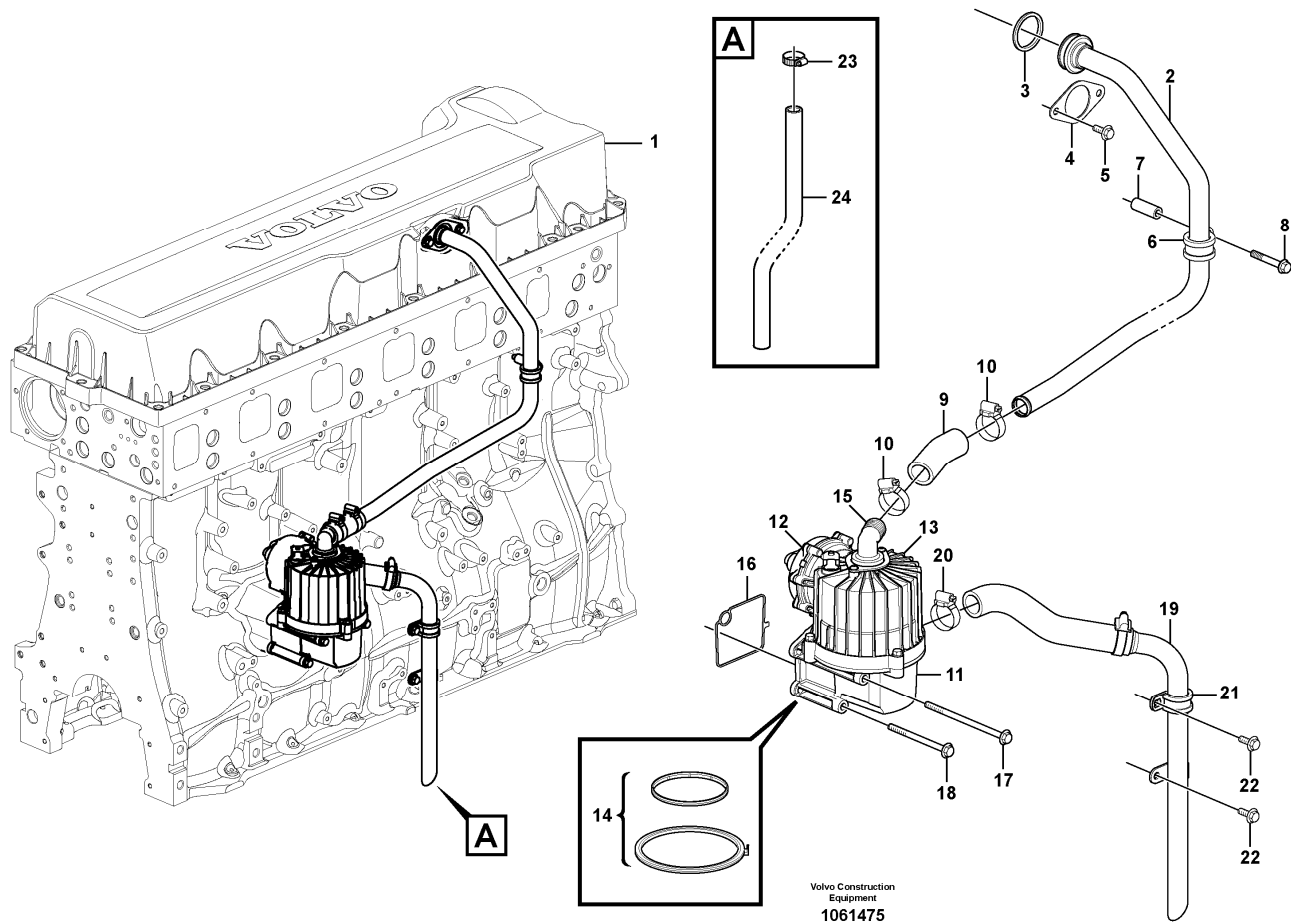
Volvo Construction
Equipment
1063254

Section option	Kit	Option description
VOE15049434		Engine D13 F-B
VOE15049435		Engine D13 F-D
VOE8290568		Engine Installation D13 F-D
VOE8290569		Engine Installation D13 F-B

Pos	Part	Q1	Q2	Q3	Q4	Q5	PS	Kit	Description	Option(s)	Remark
1	VOE21677250	1							Cover		
2	VOE21666520	3							•Plug		
3	VOE21024032	3							•Sealing ring		
4	VOE21294062	1							Gasket		
5	VOE13948217	16							Screw		M8X45
6	VOE13965180	9							Screw		M8X60
7	VOE20845995	1							Plug		
8	VOE20718731	1							Yoke		
9	VOE946440	1							Flange screw		

10	VOE1676622	1							Nipple		
11	VOE476279	1							Protecting cap		
12	VOE979099	1							Gasket		
13	VOE1547252	1							Sealing ring		
14	VOE3177470	1					OP		Flange		
15	VOE13975675	1							O-ring		
16	VOE946173	2							Flange screw		

Date: 2014/1/15	Image id: 1061475	Catalogue: 20592	Model: EC380D L
Brand: Volvo	Serial: 210001-	Group/Section: 212/300	Title: Crankcase ventilation 8289023, 8289891

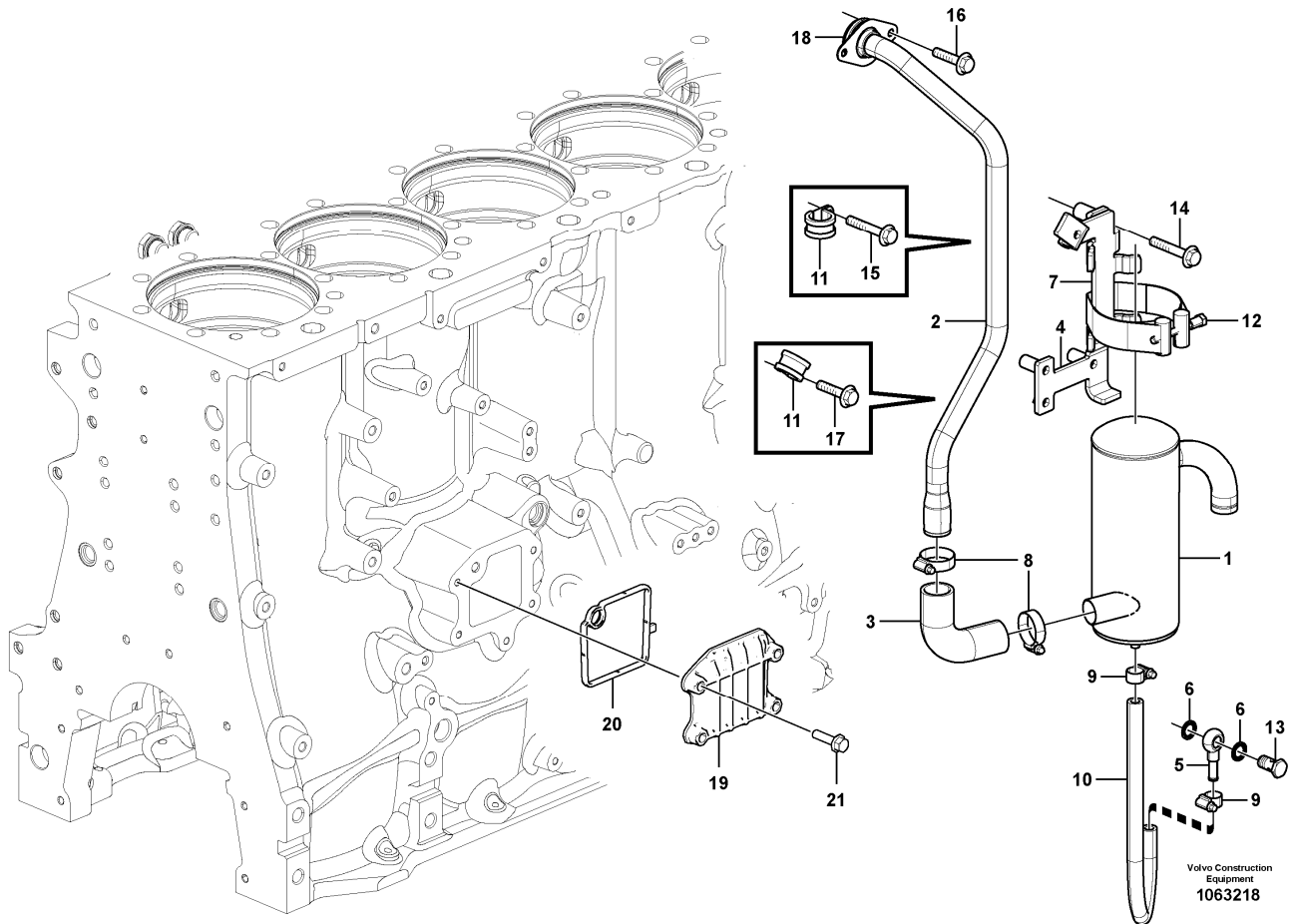


Section option	Kit	Option description
VOE8289891		Engine D13H TIER 4I WITH ASSOCIATED EQUIPMENT
VOE8289023		Engine D13H STAGE 3B WITH ASSOCIATED EQUIPMENT
VOE15049436		Engine D13H-C, US
VOE15117871		Engine D13H-D, EU

Pos	Part	Q1	Q2	Q3	Q4	Q5	PS	Kit	Description	Option(s)	Remark
1		1							Valve Cover		See ref 214/100
2	VOE3595090	1							Breather pipe		
3	VOE20493974	1							Sealing ring		
4	VOE3849250	1							Flange		
5	VOE946440	2							Flange screw		
6	VOE13977600	1							Clamp		
7	VOE807257	1							Spacer sleeve		
8	VOE13965216	1							Screw		
9	VOE20580933	1							Hose		L = 80 mm

10	VOE994560	2							Hose clamp		
11	VOE21122541	1							Oil separator		
12	VOE20586427	1							•Valve		
13	VOE21475228	1							•Spare parts kit		
14	VOE21475236	1							•Spare parts kit		
15	VOE20586428	1							•Nipple		
16	VOE20532891	1							Gasket		
17	VOE968892	2							Flange screw		
18	VOE13965184	2							Flange screw		
19	VOE21196220	1							Pipe		
20	VOE994560	1							Hose clamp		
21	VOE13977600	1							Clamp		
22	VOE946440	2							Flange screw		
23	SA9312-10175	1							Clamp		
24	VOE14881962	1							Hose		

Date: 2014/1/15	Image id: 1063218	Catalogue: 20592	Model: EC380D L
Brand: Volvo	Serial: 210001-	Group/Section: 212/325	Title: Crankcase ventilation 8290568, 8290569

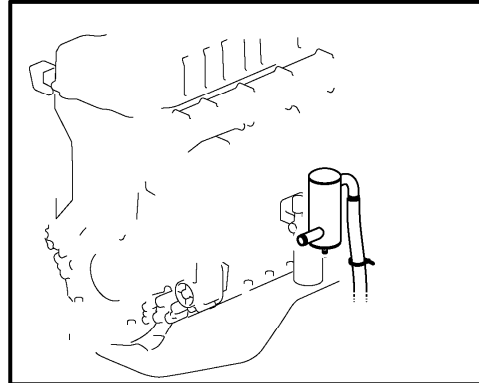
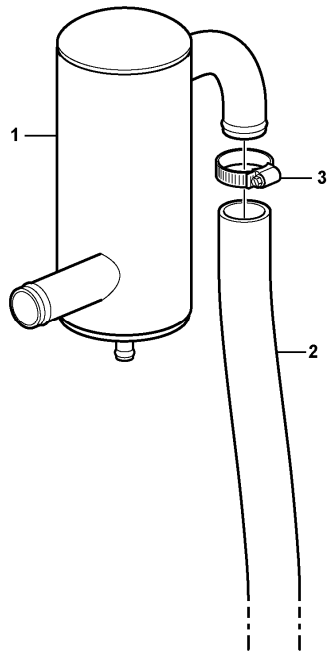


Section option	Kit	Option description
VOE15049434		Engine D13 F-B
VOE15049435		Engine D13 F-D
VOE8290568		Engine Installation D13 F-D
VOE8290569		Engine Installation D13 F-B

Pos	Part	Q1	Q2	Q3	Q4	Q5	PS	Kit	Description	Option(s)	Remark
1	VOE11033878	1							Oil trap		
2	VOE15122541	1							Breather pipe		
3	VOE11128756	1							Hose		
4	VOE1545256	1							Tensioning Band		
5	VOE11423224	1							Tube		
6	VOE20852764	2							Sealing ring		
7	VOE17200460	1					NS		Bracket		
8	VOE994560	2							Hose clamp		
9	VOE994556	2							Hose clamp		

10	VOE983342	REQ							Hose		L = 465 mm
11	VOE947827	2							Clamp		
12	VOE1545257	1							Screw		
13	VOE991048	1							Hollow screw		
14	VOE13965179	3							Screw		
15	VOE13965216	1							Screw		
16	VOE946440	2							Flange screw		
17	VOE13946173	1							Screw		
18	VOE21532258	1							Sealing ring		
19	VOE20533497	1							Cover		
20	VOE20532891	1							Gasket		
21	VOE946671	4							Flange screw		

Date: 2014/1/15	Image id: 1063305	Catalogue: 20592	Model: EC380D L
Brand: Volvo	Serial: 210001-	Group/Section: 212/350	Title: Crankcase ventilation 8290568, 8290569

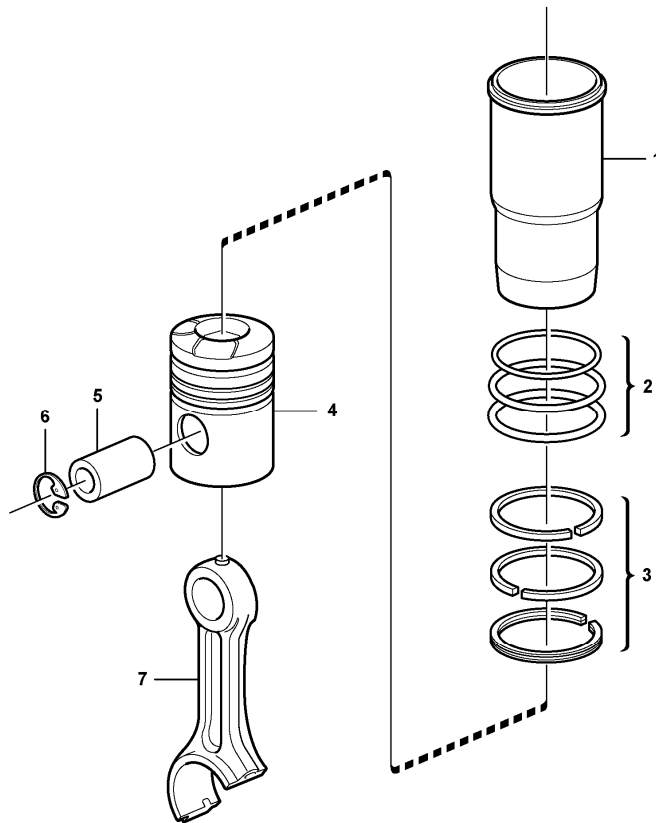


Volvo Construction
Equipment
1063305

Section option	Kit	Option description
VOE8290568		Engine Installation D13 F-D
VOE8290569		Engine Installation D13 F-B

Pos	Part	Q1	Q2	Q3	Q4	Q5	PS	Kit	Description	Option(s)	Remark
1		1							Oil Trap		
2	VOE14882646	REQ							Hose		
3	VOE943475	1							Hose clamp		

Date: 2014/1/15	Image id: 1056412	Catalogue: 20592	Model: EC380D L
Brand: Volvo	Serial: 210001-	Group/Section: 213/100	Title: Cylinder liner and piston 8289023, 8289891



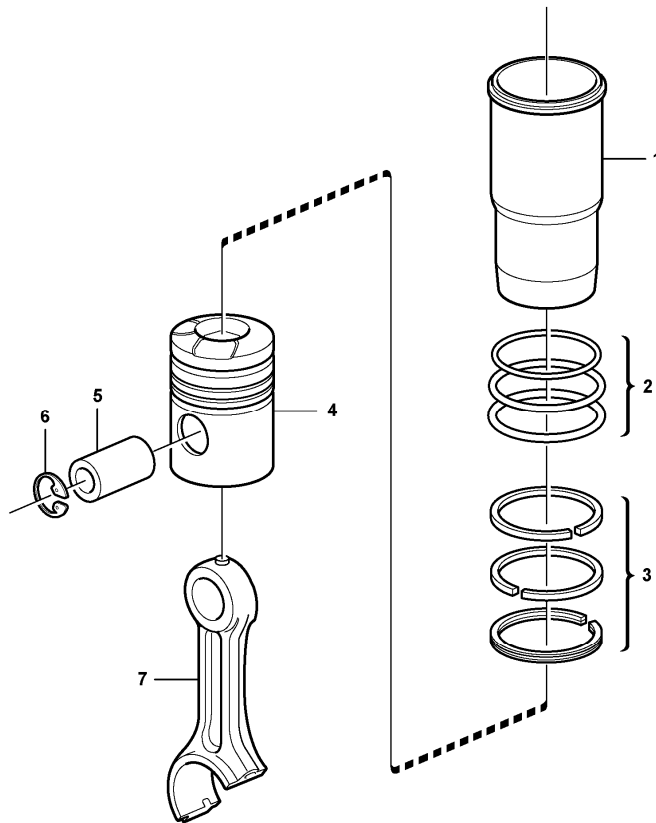
Volvo Construction
Equipment
1056412

Section option	Kit	Option description
VOE8289891		Engine D13H TIER 4I WITH ASSOCIATED EQUIPMENT
VOE8289023		Engine D13H STAGE 3B WITH ASSOCIATED EQUIPMENT
VOE15049436		Engine D13H-C, US
VOE15117871		Engine D13H-D, EU

Pos	Part	Q1	Q2	Q3	Q4	Q5	PS	Kit	Description	Option(s)	Remark
	VOE21330684	6							Cylinder liner kit		
1	VOE20852790	6					SE		•Cylinder Liner		
2	VOE270950	6							•Sealing kit		
	VOE470922	6							••Seal Ring		UPPER
	VOE470190	12					NS		••Sealing ring		CENTRE
	VOE270950	6							••Sealing kit		LOWER
3	VOE21253763	6							•Piston ring kit		
	VOE21251596	6					NS		••Compression ring		UPPER
	VOE20590309	6					NS		••Compression ring		LOWER

	VOE20568155	6							••Oil scraper ring		
4	VOE21170742	6					SE		•Piston		
5	VOE20569833	6					SE		•Piston Pin		
6	VOE914531	12							•Retaining ring		
7		6							Connecting rod		See ref 216/100

Date: 2014/1/15	Image id: 1056412	Catalogue: 20592	Model: EC380D L
Brand: Volvo	Serial: 210001-	Group/Section: 213/125	Title: Cylinder liner and piston 8289023, 8289891



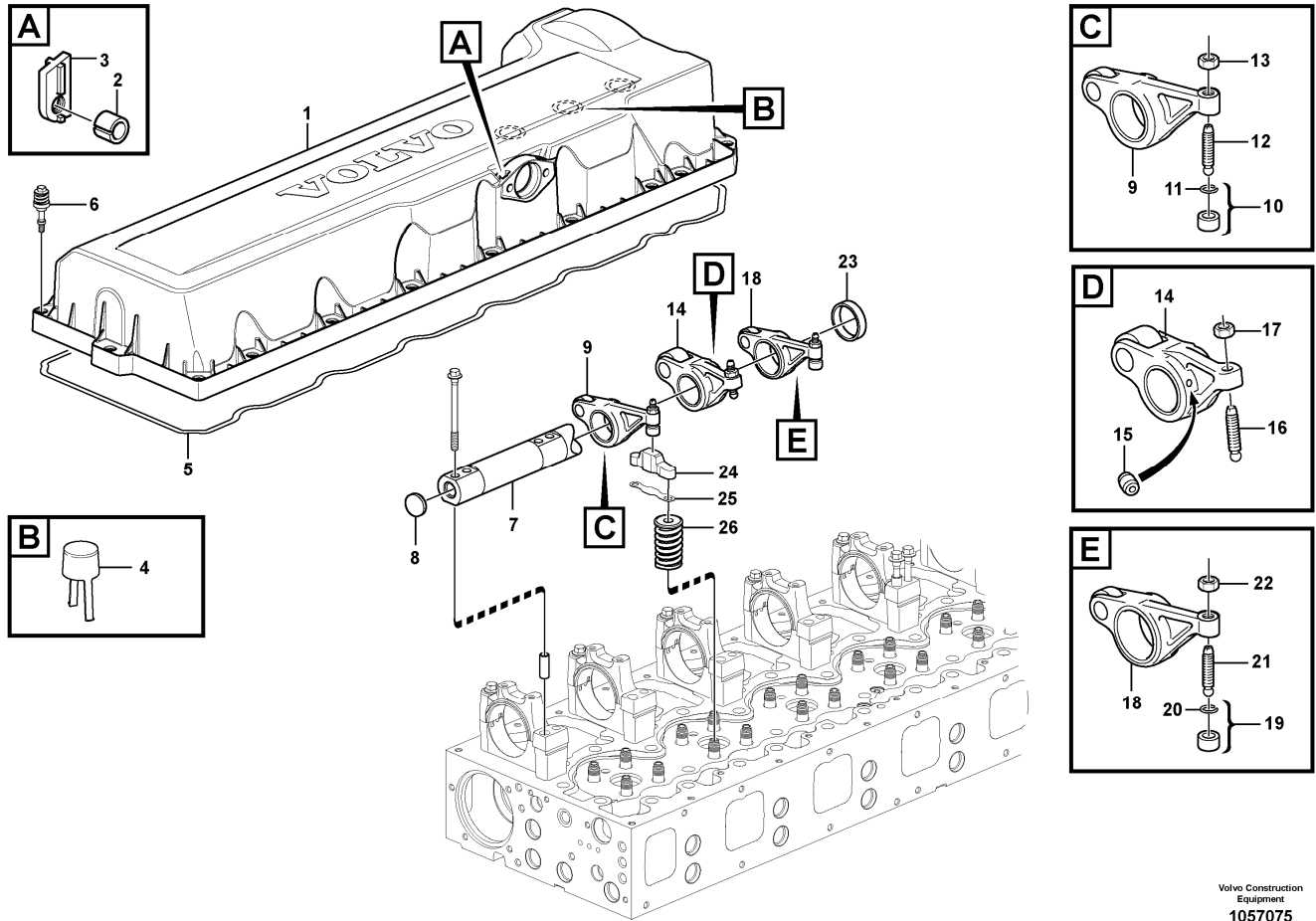
Volvo Construction
Equipment
1056412

Section option	Kit	Option description
VOE15049434		Engine D13 F-B
VOE15049435		Engine D13 F-D
VOE8290568		Engine Installation D13 F-D
VOE8290569		Engine Installation D13 F-B

Pos	Part	Q1	Q2	Q3	Q4	Q5	PS	Kit	Description	Option(s)	Remark
1	VOE21209650	6							Cylinder liner kit		KIT
2	VOE270950	6							•Sealing kit		
	VOE470922	6							••Seal Ring		UPPER
	VOE470190	12					NS		••Sealing ring		CENTRE
	VOE270950	6							••Sealing kit		LOWER
3	VOE21253763	6							•Piston ring kit		
	VOE21251596	6					NS		••Compression ring		UPPER
	VOE20590309	6					NS		••Compression ring		LOWER
	VOE20568155	6							••Oil scraper ring		

4	VOE21170742						SE		•Piston		
4	VOE21105177	6					SE		•Piston		
5	VOE21330684	6							•Cylinder liner kit		
6	VOE914531	12							•Retaining ring		
7		6							Connecting rod		See ref 216/100

Date: 2014/1/15	Image id: 1057075	Catalogue: 20592	Model: EC380D L
Brand: Volvo	Serial: 210001-	Group/Section: 214/100	Title: Valve mechanism 8289023, 8289891



Volvo Construction
Equipment
1057075

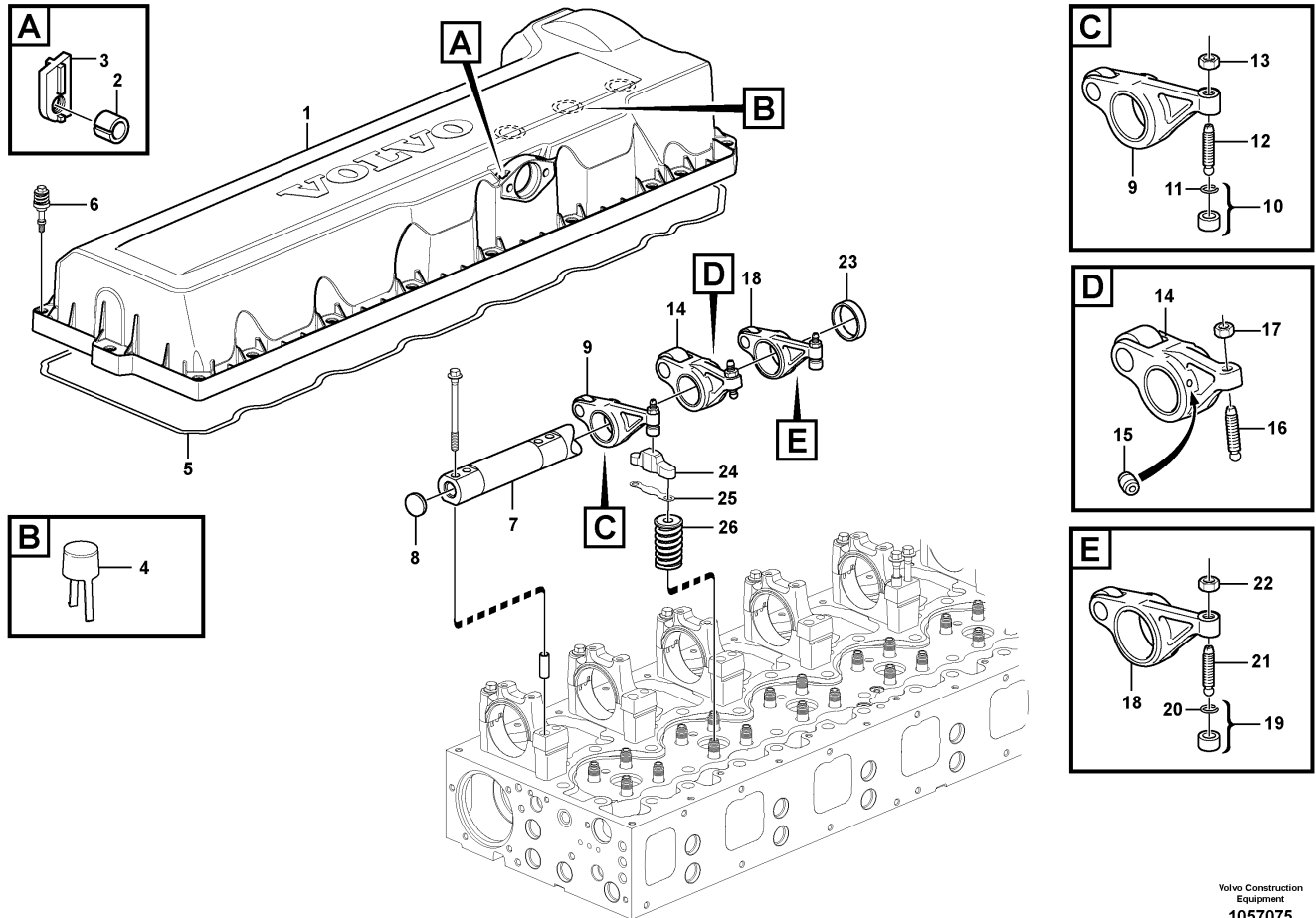
Section option	Kit	Option description
VOE8289891		Engine D13H TIER 4I WITH ASSOCIATED EQUIPMENT
VOE8289023		Engine D13H STAGE 3B WITH ASSOCIATED EQUIPMENT
VOE15049436		Engine D13H-C, US
VOE15117871		Engine D13H-D, EU

Pos	Part	Q1	Q2	Q3	Q4	Q5	PS	Kit	Description	Option(s)	Remark
1	VOE20740683	1							Valve cover		
1	VOE20745844	1					NS		•Valve Cover		
2	VOE20450320	4							•Spacer sleeve		
3	VOE24427518	4							•Nut washer		
4	VOE8131751	3							•Draining bowl		
5	VOE20538793	1							Sealing strip		
6	VOE20739547	20							Flange screw		
7	VOE20510623	1							Rocker arm shaft		EPG
8	VOE980176	2							•Expansion plug		

9	VOE21260905	6							Rocker arm		INLET
10	VOE21054149	6							•Ball socket		
11	VOE944364	6							••O-ring		
12	VOE1546458	6							•Ball stud		
13	VOE13946911	6							•Nut		
14	VOE21266310	6							Rocker arm		INJECTOR
15	VOE3964817	12							•Jet		
16	VOE1546775	6							•Ball stud		
17	VOE1677396	6							•Hexagon nut		
18	VOE21024789	6							Rocker arm		EPG
19	VOE21054149	6							•Ball socket		
20	VOE944364	6							••O-ring		
21	VOE1546458	6							•Ball stud		
22	VOE13946911	6							•Nut		
23	VOE20514249	6							Sleeve		
24	VOE3183207	12							Valve cap		
25	VOE1547967	REQ							Shim		THICK = 2,00 mm
25	VOE1547968	REQ							Shim		THICK = 2,05 mm
25	VOE1547969	REQ							Shim		THICK = 2,10 mm
25	VOE1547970	REQ							Shim		THICK = 2,15 mm
25	VOE1547971	REQ							Shim		THICK = 2,20 mm
25	VOE1547972	REQ							Shim		THICK = 2,25 mm
25	VOE1547973	REQ							Shim		THICK = 2,30 mm
25	VOE1547974	REQ							Shim		THICK = 2,35 mm
25	VOE1547975	REQ							Shim		THICK = 2,40 mm
25	VOE1547976	REQ							Shim		THICK = 2,45 mm
25	VOE1547977	REQ							Shim		THICK = 2,50 mm
25	VOE1547978	REQ							Shim		THICK = 2,55 mm
25	VOE1547979	REQ							Shim		THICK = 2,60 mm
25	VOE1547980	REQ							Shim		THICK = 2,65 mm
25	VOE1547981	REQ							Shim		THICK = 2,70 mm
25	VOE1547982	REQ							Shim		THICK = 2,75 mm
25	VOE1547983	REQ							Shim		THICK = 2,80 mm
25	VOE1547984	REQ							Shim		THICK = 2,85 mm
25	VOE1677347	REQ							Shim		THICK = 2,90 mm
25	VOE1677348	REQ							Shim		THICK = 2,95 mm
25	VOE1677349	REQ							Shim		THICK = 3,00 mm
25	VOE1677350	REQ							Shim		THICK = 3,05 mm
25	VOE1677351	REQ							Shim		THICK = 3,10 mm
25	VOE1677352	REQ							Shim		THICK = 3,15 mm
25	VOE1677353	REQ							Shim		THICK = 3,20 mm
25	VOE1677354	REQ							Shim		THICK = 3,25 mm
25	VOE1677355	REQ							Shim		THICK = 3,30 mm
25	VOE1677356	REQ							Shim		THICK = 3,35 mm
25	VOE1677357	REQ							Shim		THICK = 3,40 mm
25	VOE1677358	REQ							Shim		THICK = 3,45 mm
25	VOE1677359	REQ							Shim		THICK = 3,50 mm

25	VOE1677360	REQ							Shim		THICK = 3,55 mm
25	VOE1677361	REQ							Shim		THICK = 3,60 mm
25	VOE1677362	REQ							Shim		THICK = 3,65 mm
25	VOE1677363	REQ							Shim		THICK = 3,70 mm
25	VOE1677364	REQ							Shim		THICK = 3,75 mm
25	VOE1677365	REQ							Shim		THICK = 3,80 mm
25	VOE1677366	REQ							Shim		THICK = 3,85 mm
25	VOE1677367	REQ							Shim		THICK = 3,90 mm
25	VOE1677368	REQ							Shim		THICK = 3,95 mm
26		12							Valve Spring		See ref 211/200

Date: 2014/1/15	Image id: 1057075	Catalogue: 20592	Model: EC380D L
Brand: Volvo	Serial: 210001-	Group/Section: 214/125	Title: Valve mechanism 8290568, 8290569



Volvo Construction
Equipment
1057075

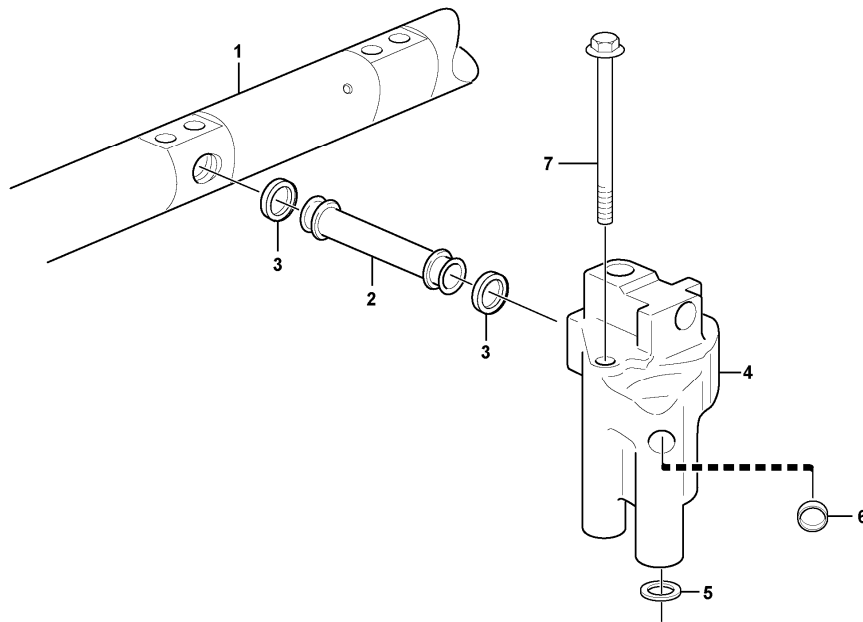
Section option	Kit	Option description
VOE15049434		Engine D13 F-B
VOE15049435		Engine D13 F-D
VOE8290568		Engine Installation D13 F-D
VOE8290569		Engine Installation D13 F-B

Pos	Part	Q1	Q2	Q3	Q4	Q5	PS	Kit	Description	Option(s)	Remark
1	VOE20740683	1							Valve cover		
1	VOE20745844	1					NS		•Valve Cover		
2	VOE20450320	4							•Spacer sleeve		
3	VOE24427518	4							•Nut washer		
4	VOE8131751	3							•Draining bowl		
5	VOE20538793	1							Sealing strip		
6	VOE20739547	20							Flange screw		
7	VOE20510623	1							Rocker arm shaft		EPG
8	VOE980176	2							•Expansion plug		

9	VOE21161213	6							Rocker arm		INLET
10	VOE21054149	6							•Ball socket		
11	VOE944364	6							••O-ring		
12	VOE1546458	6							•Ball stud		
13	VOE13946911	6							•Nut		
14	VOE21089229	6							Rocker arm		INJECTOR
15	VOE3964817	12							•Jet		
16	VOE1546775	6							•Ball stud		
17	VOE1677396	6							•Hexagon nut		
18	VOE21661829	6							Rocker Arm		EPG
19	VOE21054149	6							•Ball socket		
20	VOE944364	6							••O-ring		
21	VOE1546458	6							•Ball stud		
22	VOE13946911	6							•Nut		
23	VOE21628455	6							Spacer sleeve		
24	VOE3183207	12							Valve cap		
25	VOE1547967	REQ							Shim		THICK = 2,00 mm
25	VOE1547968	REQ							Shim		THICK = 2,05 mm
25	VOE1547969	REQ							Shim		THICK = 2,10 mm
25	VOE1547970	REQ							Shim		THICK = 2,15 mm
25	VOE1547971	REQ							Shim		THICK = 2,20 mm
25	VOE1547972	REQ							Shim		THICK = 2,25 mm
25	VOE1547973	REQ							Shim		THICK = 2,30 mm
25	VOE1547974	REQ							Shim		THICK = 2,35 mm
25	VOE1547975	REQ							Shim		THICK = 2,40 mm
25	VOE1547976	REQ							Shim		THICK = 2,45 mm
25	VOE1547977	REQ							Shim		THICK = 2,50 mm
25	VOE1547978	REQ							Shim		THICK = 2,55 mm
25	VOE1547979	REQ							Shim		THICK = 2,60 mm
25	VOE1547980	REQ							Shim		THICK = 2,65 mm
25	VOE1547981	REQ							Shim		THICK = 2,70 mm
25	VOE1547982	REQ							Shim		THICK = 2,75 mm
25	VOE1547983	REQ							Shim		THICK = 2,80 mm
25	VOE1547984	REQ							Shim		THICK = 2,85 mm
25	VOE1677347	REQ							Shim		THICK = 2,90 mm
25	VOE1677348	REQ							Shim		THICK = 2,95 mm
25	VOE1677349	REQ							Shim		THICK = 3,00 mm
25	VOE1677350	REQ							Shim		THICK = 3,05 mm
25	VOE1677351	REQ							Shim		THICK = 3,10 mm
25	VOE1677352	REQ							Shim		THICK = 3,15 mm
25	VOE1677353	REQ							Shim		THICK = 3,20 mm
25	VOE1677354	REQ							Shim		THICK = 3,25 mm
25	VOE1677355	REQ							Shim		THICK = 3,30 mm
25	VOE1677356	REQ							Shim		THICK = 3,35 mm
25	VOE1677357	REQ							Shim		THICK = 3,40 mm
25	VOE1677358	REQ							Shim		THICK = 3,45 mm
25	VOE1677359	REQ							Shim		THICK = 3,50 mm

25	VOE1677360	REQ							Shim		THICK = 3,55 mm
25	VOE1677361	REQ							Shim		THICK = 3,60 mm
25	VOE1677362	REQ							Shim		THICK = 3,65 mm
25	VOE1677363	REQ							Shim		THICK = 3,70 mm
25	VOE1677364	REQ							Shim		THICK = 3,75 mm
25	VOE1677365	REQ							Shim		THICK = 3,80 mm
25	VOE1677366	REQ							Shim		THICK = 3,85 mm
25	VOE1677367	REQ							Shim		THICK = 3,90 mm
25	VOE1677368	REQ							Shim		THICK = 3,95 mm
26		12							Valve Spring		See ref 211/225

Date: 2014/1/15	Image id: 1057172	Catalogue: 20592	Model: EC380D L
Brand: Volvo	Serial: 210001-	Group/Section: 214/200	Title: Intermediate housing VCB



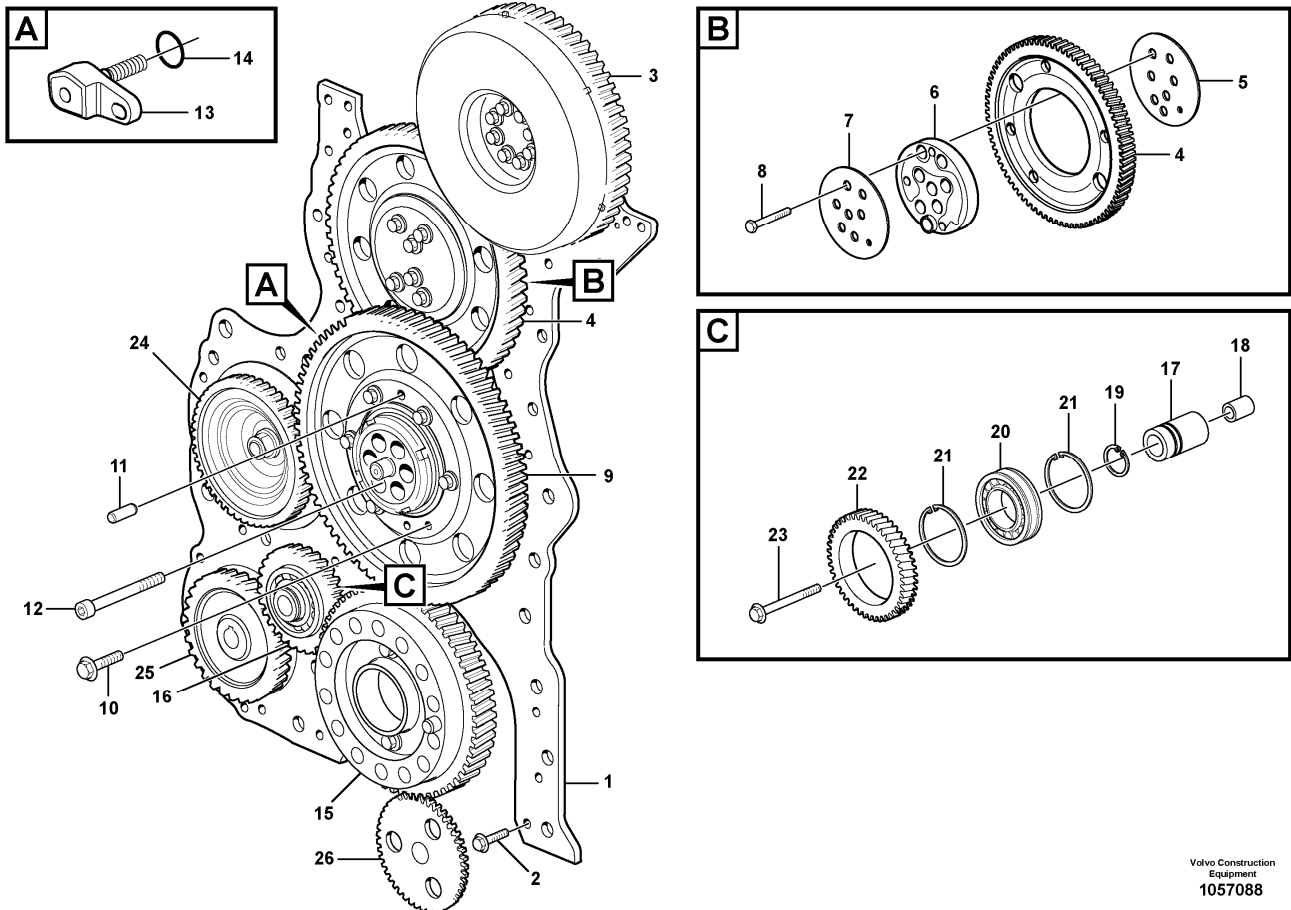
Volvo Construction
Equipment
1057172

Section option	Kit	Option description
VOE8289891		Engine D13H TIER 4I WITH ASSOCIATED EQUIPMENT
VOE15049434		Engine D13 F-B
VOE15049435		Engine D13 F-D
VOE8289023		Engine D13H STAGE 3B WITH ASSOCIATED EQUIPMENT
VOE8290568		Engine Installation D13 F-D
VOE8290569		Engine Installation D13 F-B
VOE15049436		Engine D13H-C, US
VOE15117871		Engine D13H-D, EU

Q1-Q5	Option	Option description	
Q1 8289023 8289891	VOE8289023	Engine D13H STAGE 3B WITH ASSOCIATED EQUIPMENT	
Q2 8290568 8290569	VOE8290568	Engine Installation D13 F-D	

Pos	Part	Q1	Q2	Q3	Q4	Q5	PS	Kit	Description	Option(s)	Remark
1		1							Rkr Arm Shaft		See ref 214/100
1			1						Rkr Arm Shaft		See ref 214/125
2	VOE20591851	1	1						Outlet pipe		
3	VOE1677370	2	2						Sealing ring		
4	VOE21105100	1	1						Intermediate housing		
4	VOE20942060	1	1				NS		•Housing		
5	VOE20526428	1	1						•Sealing ring		
6	VOE955082	1	1						•Cap plug		
7	VOE969225	2	2						Flange screw		

Date: 2014/1/15	Image id: 1057088	Catalogue: 20592	Model: EC380D L
Brand: Volvo	Serial: 210001-	Group/Section: 215/100	Title: Timing gear



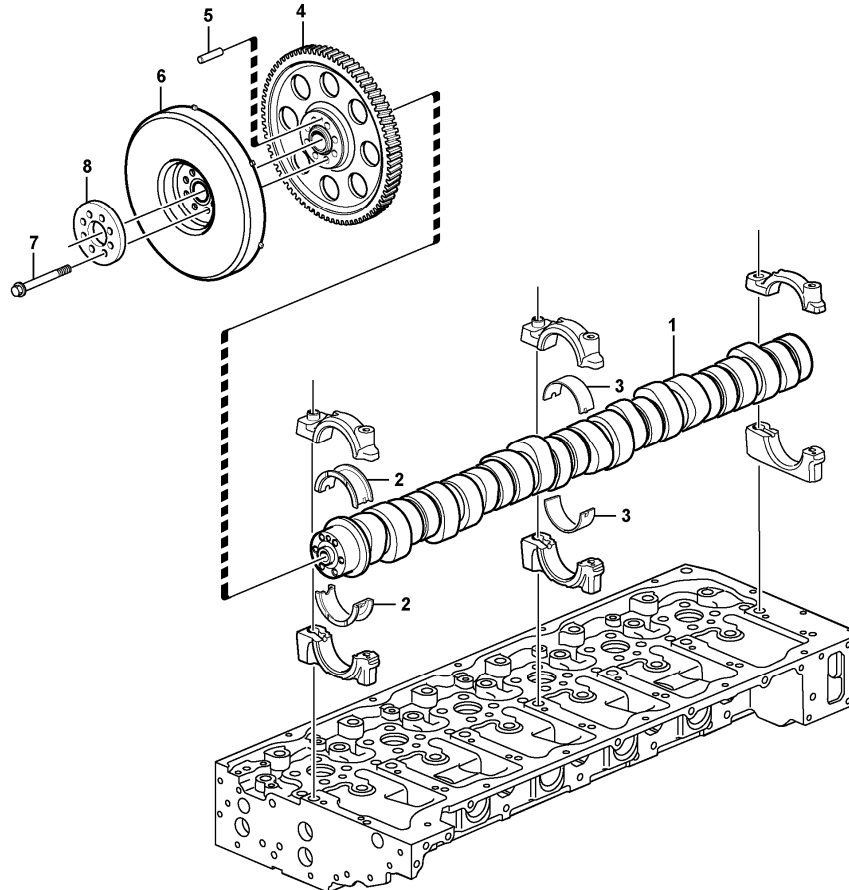
Volvo Construction
Equipment
1057088

Section option	Kit	Option description
VOE8289891		Engine D13H TIER 4I WITH ASSOCIATED EQUIPMENT
VOE15049434		Engine D13 F-B
VOE15049435		Engine D13 F-D
VOE8289023		Engine D13H STAGE 3B WITH ASSOCIATED EQUIPMENT
VOE8290568		Engine Installation D13 F-D
VOE8290569		Engine Installation D13 F-B
VOE15049436		Engine D13H-C, US
VOE15117871		Engine D13H-D, EU

Q1-Q5	Option	Option description	
Q1 8289023 8289891	VOE8289023	Engine D13H STAGE 3B WITH ASSOCIATED EQUIPMENT	
Q2 8290568 8290569	VOE8290568	Engine Installation D13 F-D	

Pos	Part	Q1	Q2	Q3	Q4	Q5	PS	Kit	Description	Option(s)	Remark
1	VOE21381337	1							Timing gear plate		
1	VOE21241959		1						Timing gear plate		
2	VOE13945444	29	29						Screw		
3		1	1						Gear		CAMSHAFT See ref 215/200
4	VOE20850724	1	1						Idler gear		
5	VOE20487667	1	1						Thrust washer		
6	VOE20531647	1	1						Hub		
7	VOE20487676	1	1						Bearing shield		
8	VOE974615	6	6						Flange screw		
9	VOE21057051	1	1						Idler gear		
10	VOE471586	6	6						•Screw		
11	VOE950564	2	2						•Pin		
12	VOE20483919	6	6						Hex. socket screw		
13	VOE20531962	1	1						Screw		
14	VOE943177	1	1						O-ring		
15		1	1						Gear		CRANKSHAFT See ref 216/100
16	VOE21284769	1	1						Idler gear		
17	VOE21309998	1	1				NS		•Axle		
18	VOE20508239	1	1				NS		•Giude		
19	VOE914465	1	1						•Retaining ring		
20	VOE21284550	1	1				NS		•Roller Bearing		
21	VOE945504	2	2				NS		•Snap Ring		
22	VOE8131291	1	1				NS		•Idler Gear		
23	VOE21050240	1	1						Flange screw		
24	VOE8131848	1							Gear		COMPRESSOR
25		1	1						Gear		FUEL PUMP See ref 235/200
26		1	1						Oil Pump		See ref 221/200

Date: 2014/1/15	Image id: 1019613	Catalogue: 20592	Model: EC380D L
Brand: Volvo	Serial: 210001-	Group/Section: 215/200	Title: Camshaft



Volvo Construction
Equipment
1019613

Section option	Kit	Option description
VOE8289891		Engine D13H TIER 4I WITH ASSOCIATED EQUIPMENT
VOE15049434		Engine D13 F-B
VOE15049435		Engine D13 F-D
VOE8289023		Engine D13H STAGE 3B WITH ASSOCIATED EQUIPMENT
VOE8290568		Engine Installation D13 F-D
VOE8290569		Engine Installation D13 F-B
VOE15049436		Engine D13H-C, US
VOE15117871		Engine D13H-D, EU

Q1-Q5	Option	Option description	
Q1 8289023 8289891	VOE8289023	Engine D13H STAGE 3B WITH ASSOCIATED EQUIPMENT	
Q2 8290568 8290569	VOE8290568	Engine Installation D13 F-D	

Pos	Part	Q1	Q2	Q3	Q4	Q5	PS	Kit	Description	Option(s)	Remark
1	VOE21219818	1							Camshaft		
1	VOE21154172		1						Camshaft		
2	VOE20756108	1	1						Bearing shell kit		REAR
3	VOE20999623	6	6						Bearing shell kit		No 1 - 6
4	VOE20891469	1	1						Gear		
5	VOE950553	1	1						•Pin		
6	VOE21473105	1	1						Vibration damper		
7	VOE8192804	8	8						Screw		
8	VOE21294882	1	1						Spacer		

Thank you so much for reading.
Please click the “Buy Now!”
button below to download the
complete manual.



After you pay.

You can download the most
perfect and complete manual in
the world immediately.

Our support email:

ebooklibonline@outlook.com