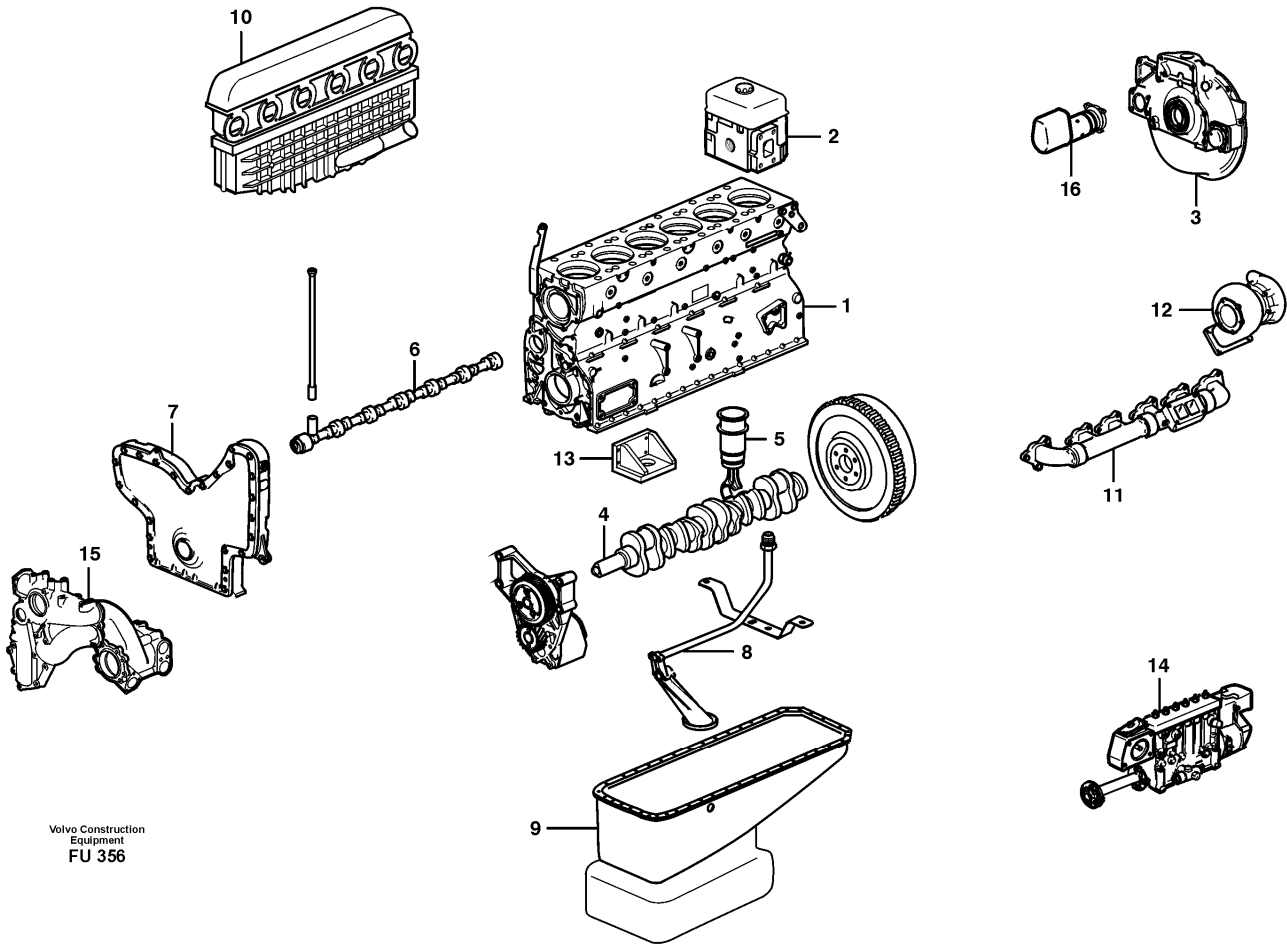


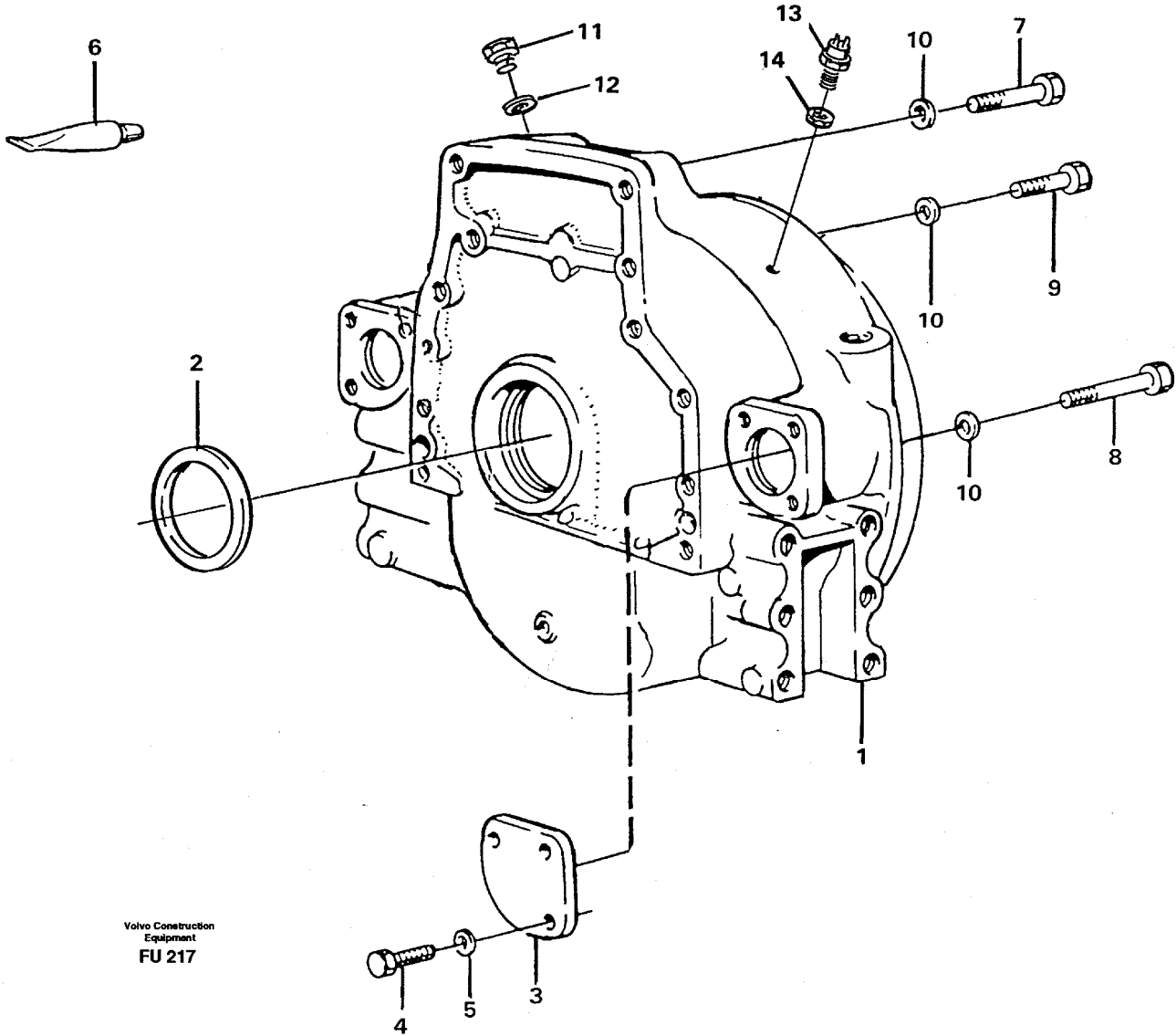
Date: 2014/1/17	Image id: FU356	Catalogue: 99522	Model: EC390
Brand: Volvo	Serial: 1001-9999	Group/Section: 210/150	Title: Engine



Pos	Part	Q1	Q2	Q3	Q4	Q5	PS	Kit	Description	Option(s)	Remark
	VOE15003091	1							Engine		(VOE497282)TD 103 KAE
1		1							Cylinder block		See ref 212/100
2		1							Cylinder head		See ref 211/100
3		1							Flywheel housing		See ref 210/200
4		1							Crank mechanism		See ref 216/100
5		1							Cyl liner and piston		See ref 213/100
6		1							Camshaft		See ref 215/150
7		1							Timing gear casing		See ref 215/100
8		1							Lubricating system		See ref 221/100
9		1							Oil sump		See ref 217/100
10		1							Inlet pipe		See ref 251/150
11		1							Exhaust pipe		See ref 251/200

12		1							Turbocharger		See ref 255/100
13		1							Engine mounting		See ref 218/100
14		1							Fuel system		See ref 235/250
15		1							Cooling system		See ref 260/100
16		1							Starter motor		See ref 330/100

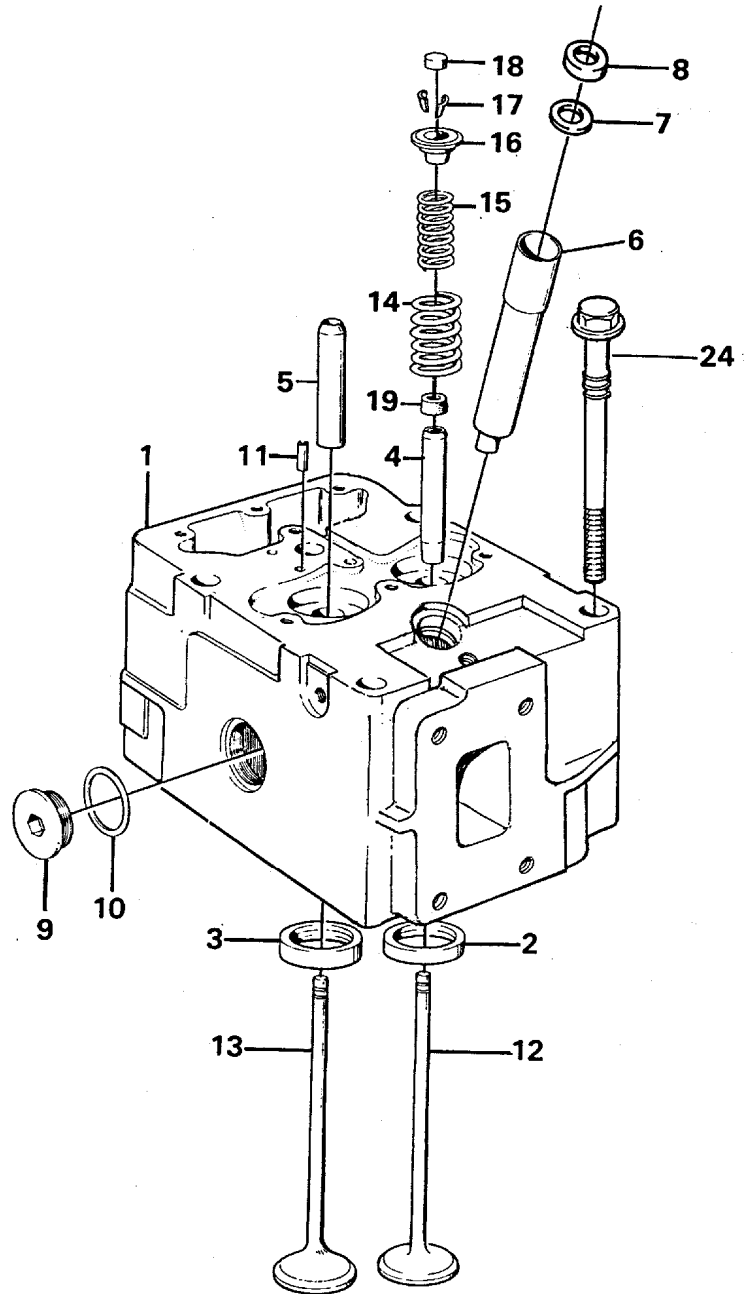
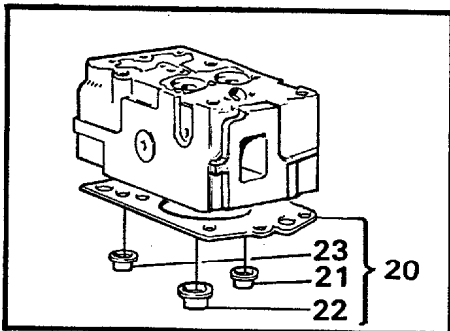
Date: 2014/1/17	Image id: FU217	Catalogue: 99522	Model: EC390
Brand: Volvo	Serial: 1001-9999	Group/Section: 210/200	Title: Flywheel housing



Pos	Part	Q1	Q2	Q3	Q4	Q5	PS	Kit	Description	Option(s)	Remark
1	VOE11701057	1					OP		Casing		
2	VOE3825164	1					SS		•Sealing ring		
3	VOE423081	1							•Seal Flange		
4	VOE13940114	3							•Screw		
5	VOE13942336	3							•Spring Washer		
6	VOE11713514	REQ							Sealant		(VOE1161231)
7	VOE955582	2							Hexagon screw		
8	VOE955587	2							Screw		
9	VOE955580	8							Hexagon screw		

10	VOE955899	12							Washer		
11	VOE180761	1							Plug		
12	VOE7011996	1							Gasket		(VOE11996)
13	VOE11039533	1							Ind Sensor		B5
14	VOE940152	1							Hexagon Nut		

Date: 2014/1/17	Image id: FU218	Catalogue: 99522	Model: EC390
Brand: Volvo	Serial: 1001-9999	Group/Section: 211/100	Title: Cylinder head

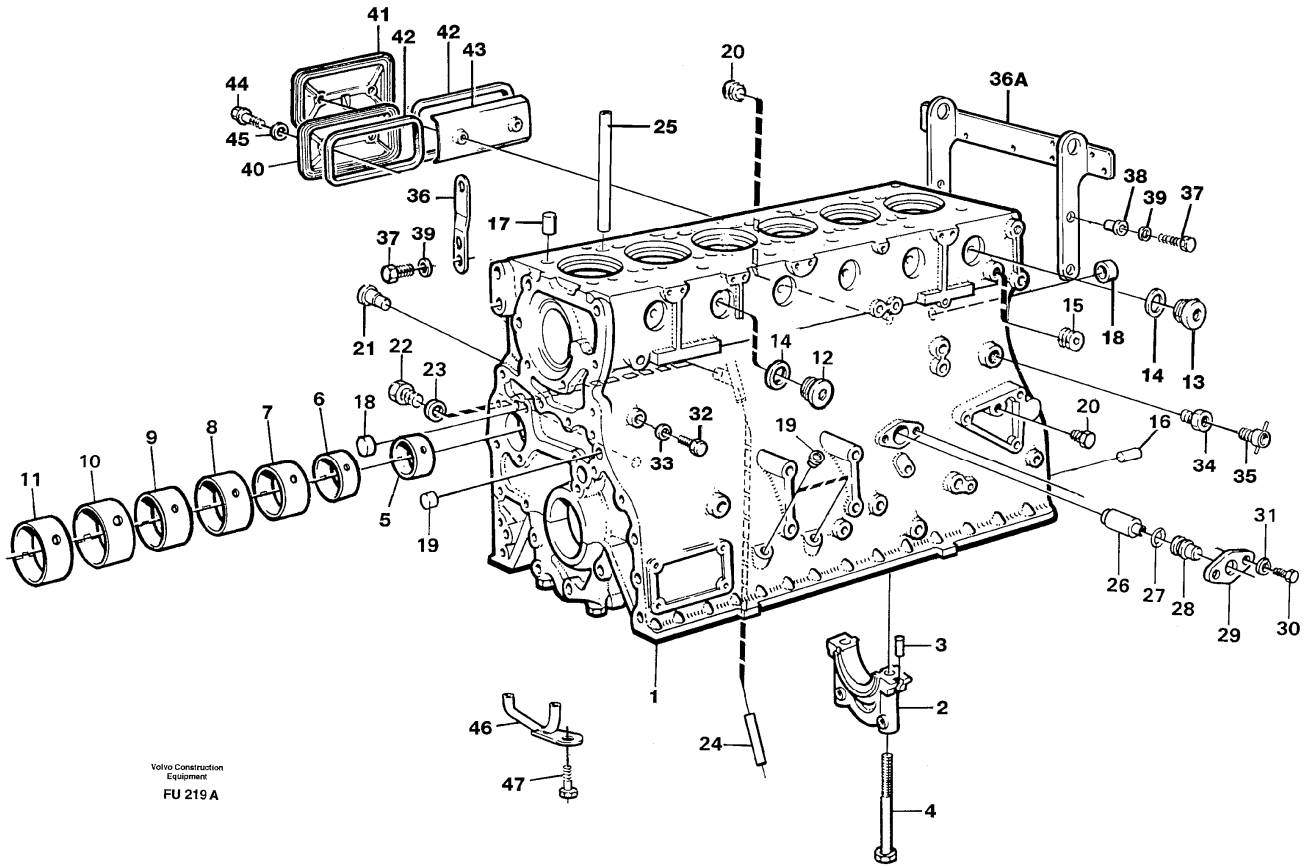


Volvo Construction
Equipment
FU 218

Pos	Part	Q1	Q2	Q3	Q4	Q5	PS	Kit	Description	Option(s)	Remark
1	VOE8194452	6							Cylinder head		
2	VOE467474	6							•Valve seat		STD D
	VOE467590	6							•Valve seat		0,2 O SZ
3	VOE1545886	6							•Valve seat		STD D, (11987041)
	VOE1545885	6							•Valve seat		(VOE11987040)0,2 O SZ

4	VOE1545135	6							•Valve Guide		
5	VOE1545135	6							•Valve Guide		
	VOE270946	6							•Repair Kit		
6	VOE479163	6							••Sleeve		
7	VOE466420	6							••Ring		
8	VOE466405	6							••Sealing ring		
9	VOE467365	12							•Plug		(VOE467714)
10	VOE469327	12							•Gasket		(VOE468461)
11	VOE14025455	12							•Cylinder Pin		(VOE950543)
12	VOE479204	6							•Inlet valve		
13	VOE467855	6							•Exhaust Valve		
14	VOE467334	12							•Valve Spring		
15	VOE467335	12							•Valve Spring		
16	VOE467506	12							•Washer		
17	VOE468305	24							•Valve Collet		
18	VOE478074	12							•Valve Cap		
19	VOE417135	12							Protecting Ring		
20	VOE270789	6							Gasket Kit		
21	VOE422413	6							•Sealing ring		D = 11
22	VOE422414	12							•Sealing ring		D = 32
23	VOE422415	12							•Sealing ring		D = 18
24	VOE422086	24							Screw		

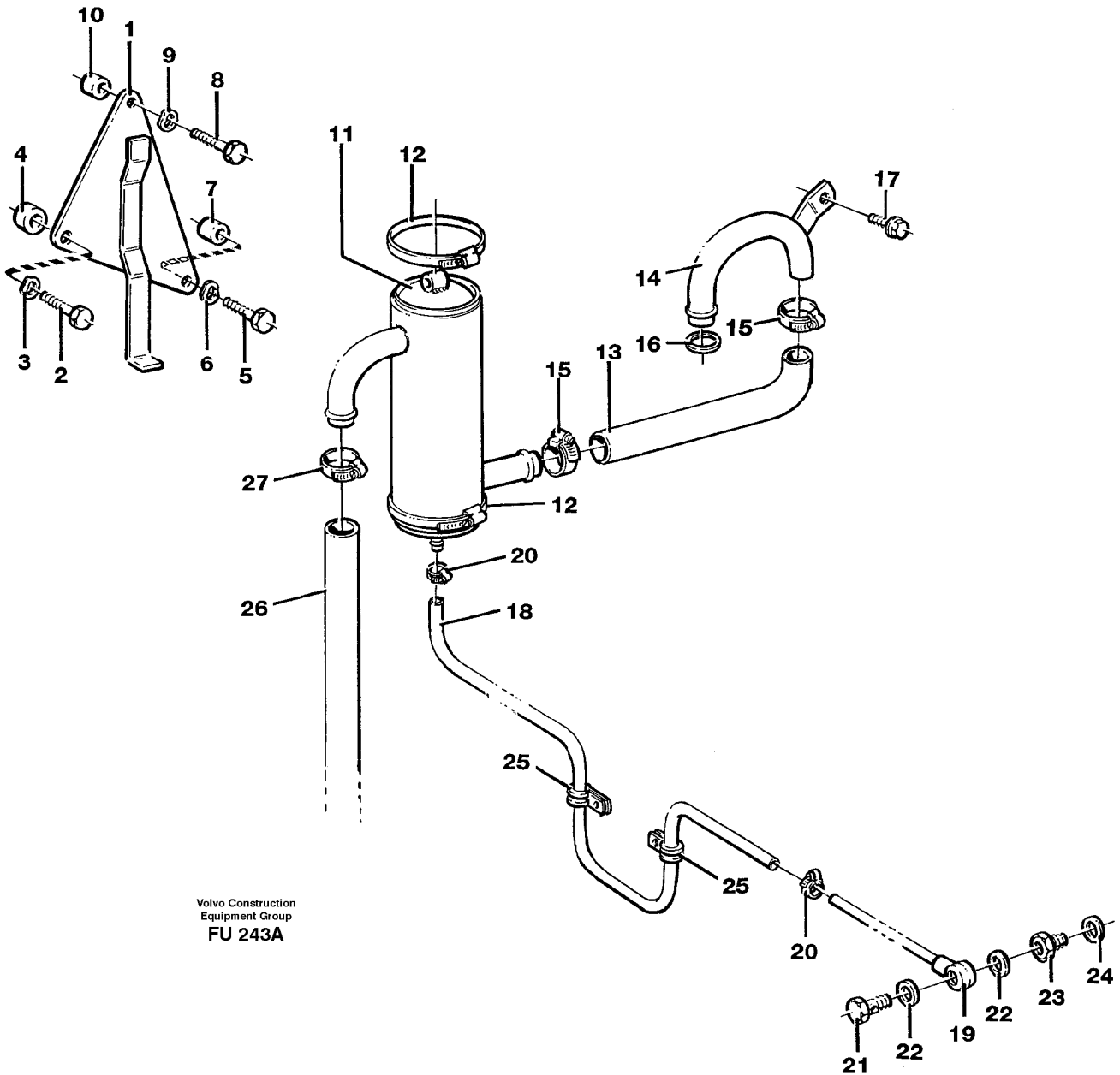
Date: 2014/1/17	Image id: FU219A	Catalogue: 99522	Model: EC390
Brand: Volvo	Serial: 1001-9999	Group/Section: 212/100	Title: Cylinder block



Pos	Part	Q1	Q2	Q3	Q4	Q5	PS	Kit	Description	Option(s)	Remark
1	VOE8194668	1							Cylinder block		
2	VOE467630	1					NS		•Cap		
3	VOE422426	1							•Pin		
4	VOE7422067	14							•Screw		
5	VOE422076	1							•Bushing		
6	VOE422077	1							•Bushing		
7	VOE422078	1							•Bushing		
8	VOE11000014	1							•Bushing		
9	VOE422080	1							•Bushing		
10	VOE422081	1							•Bushing		
11	VOE422082	1							•Bushing		
12	VOE467367	5							•Plug		(467649)
13	VOE821335	1							•Plug		
14	VOE1556907	1							•Gasket		(VOE469328)(468462)
15	VOE952075	1							•Plug		

16	VOE191171	2							•Pin		
17	VOE14025455	12							•Cylinder Pin		(950543)
18	VOE13955083	2							•Cap plug		(VOE955083)
19	VOE955082	4							•Cap plug		
20	VOE13961657	7							•Nipple		(191026)
21	VOE422369	2							•Plug		
22	VOE13961892	1							•Plug		(961892)
23	VOE13947621	1							•Plane gasket		
24	VOE468563	1					NS		•Tube assembly		
25	VOE421068	1					NS		•Tube assembly		
26	VOE424801	1							•Tube		
27	VOE13949657	1							•O-ring		(949657)
28	VOE424715	1							•Plug		
29	VOE424714	1							•Flange		
30	VOE955513	2							•Hexagon screw		
31	VOE13941906	2							•Washer		(941906)
32	VOE180761	1							Plug		
33	VOE7011996	1							Gasket		
34	VOE479954	1							Nipple		
35	VOE949918	1							Crane		
36		1					NS		Lifting eye		
36A	VOE11031376	1							Bracket		
37	VOE955562	2							Hexagon screw		
38	VOE11031287	2							Bushing		
39	VOE940280	6							Spring washer		
40	VOE423120	2							Hatch		
41	VOE423121	1							Hatch		
42	VOE469823	3							Gasket		
43	VOE422542	1							Splash plate		
44	VOE422541	6							Screw		
45	VOE471856	6							Sealing ring		
46	VOE864374	6							Piston cooling jet		
47	VOE13948587	6							Lock screw		

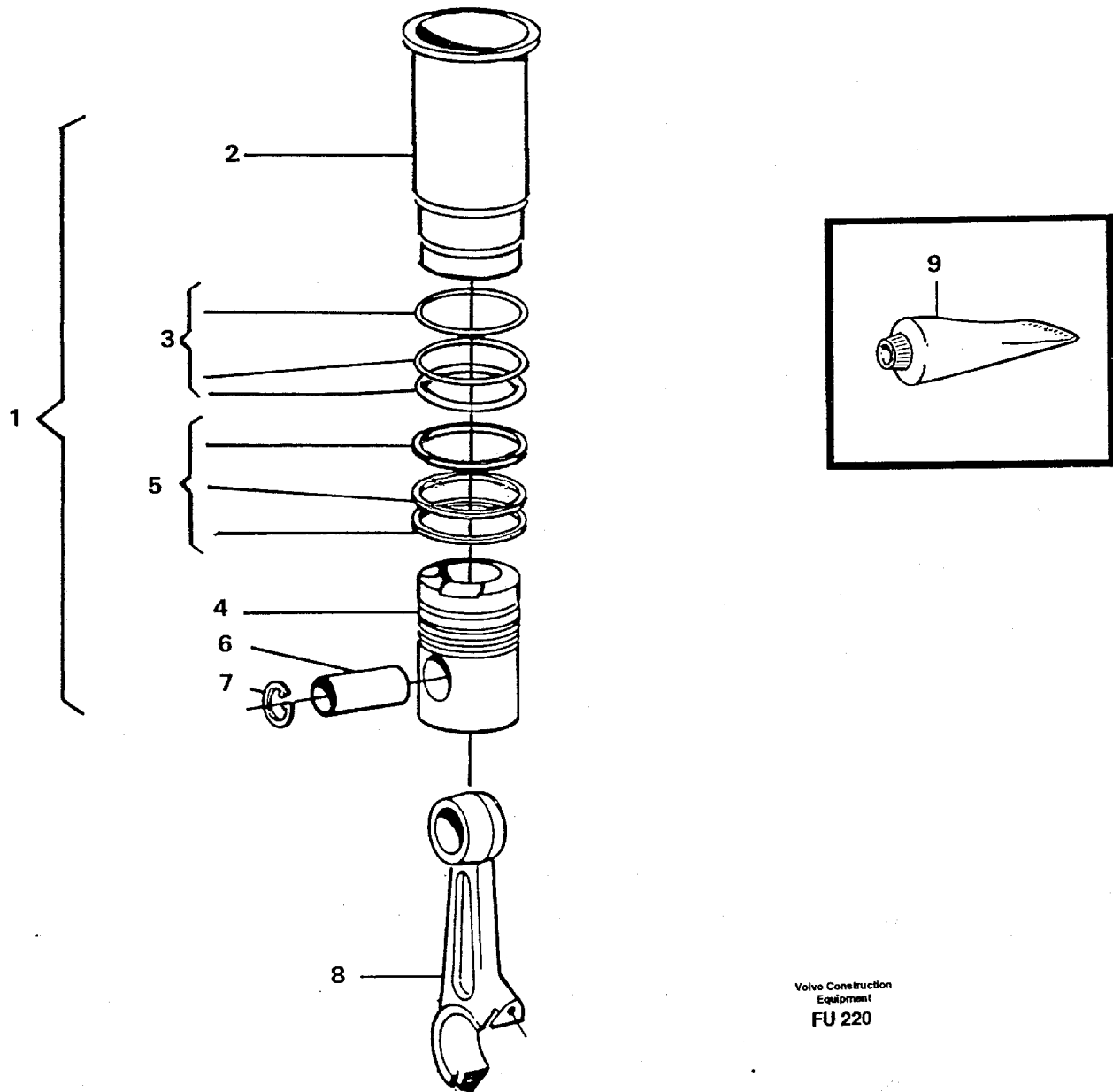
Date: 2014/1/17	Image id: FU243A	Catalogue: 99522	Model: EC390
Brand: Volvo	Serial: 1001-9999	Group/Section: 212/150	Title: Crankcase ventilation.



Pos	Part	Q1	Q2	Q3	Q4	Q5	PS	Kit	Description	Option(s)	Remark
1	VOE11031267	1							Bracket		
2	VOE955564	1							Hexagon screw		
3	VOE940280	1							Spring washer		
4	VOE1678297	1							Spacer sleeve		
5	VOE13940162	1							Screw		
6	VOE13942336	1							Spring washer		
7	VOE821540	1							Spacer sleeve		

8	VOE955536	1							Hexagon screw		
9	VOE13942336	1							Spring washer		
10	VOE824248	1							Spacer sleeve		
11	VOE11033878	1							Oil trap		
12	VOE943483	2							Hose clamp		
13	VOE11031305	1							Hose		(VOE11031930)
14	VOE11031304	1							Tube		
15	VOE943476	2							Hose clamp		
16	VOE421158	1							Sealing ring		
17	VOE942402	1							Flange screw		
18	VOE983342	REQ							Hose		(VOE977316)L = 1000MM
19	VOE837608	1							Fuel pipe		
20	VOE943470	2							Hose clamp		
21	VOE7025167	1							Hollow screw		
22	VOE13969011	2							Gasket		
23	VOE11031931	1							Reduction nipple		
24	VOE13947625	1							Plane gasket		(VOE18818)
25	VOE952629	2							Clamp		
26	VOE927661	REQ							Rubber hose		L = 900MM
27	VOE943476	1							Hose clamp		

Date: 2014/1/17	Image id: FU220	Catalogue: 99522	Model: EC390
Brand: Volvo	Serial: 1001-9999	Group/Section: 213/100	Title: Cylinder liner

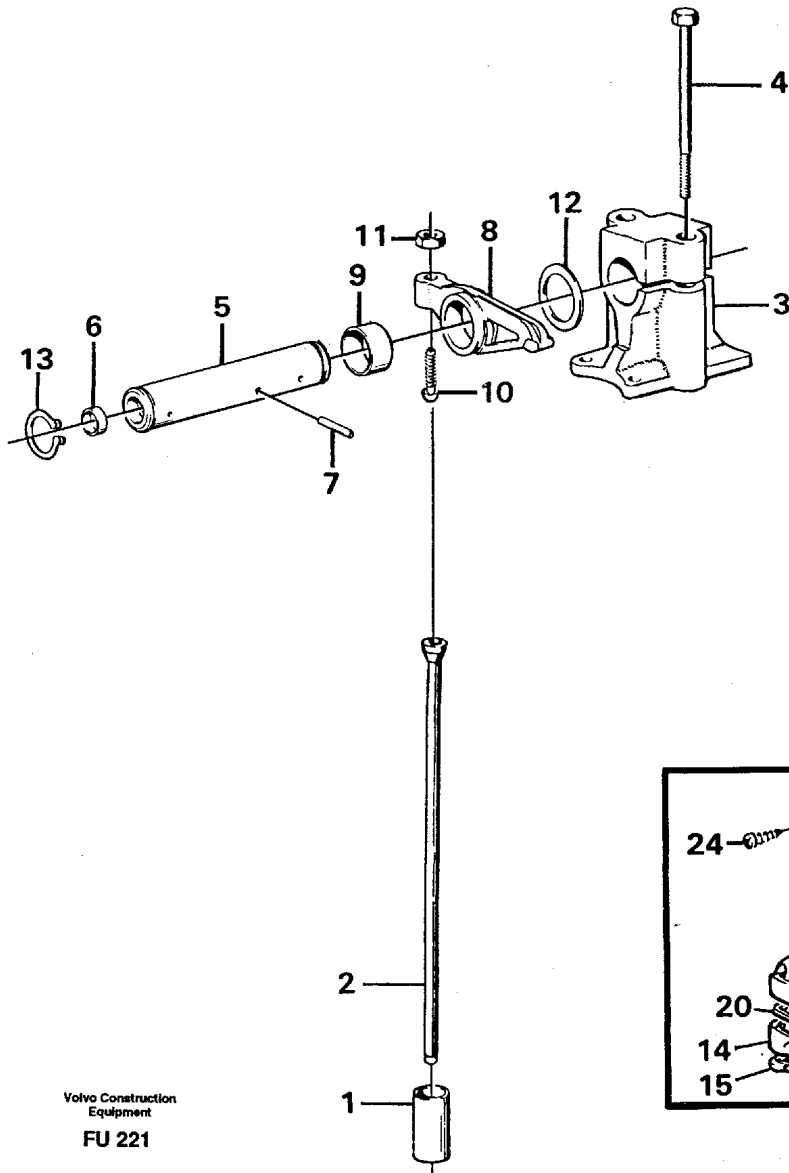


Volvo Construction
Equipment
FU 220

Pos	Part	Q1	Q2	Q3	Q4	Q5	PS	Kit	Description	Option(s)	Remark
1	VOE276859	6							Cylinder liner kit		
2	VOE479380	6					NS		•Cylinder liner		
3	VOE271157	6							•Sealing Kit		
4	VOE8194470	6					NS		•Piston		
5	VOE276197	6							•Piston Ring Kit		
6	VOE8194586	6							•Piston Pin		(VOE479874)
7	VOE914529	12							•Snap Ring		

8		1							Connecting rod		See ref 216/100
9	VOE1161277	REQ							Sealant		20 G
	VOE11713514	REQ							Sealant		(VOE1161231)304 ml

Date: 2014/1/17	Image id: FU221	Catalogue: 99522	Model: EC390
Brand: Volvo	Serial: 1001-9999	Group/Section: 214/100	Title: Valve mechanism

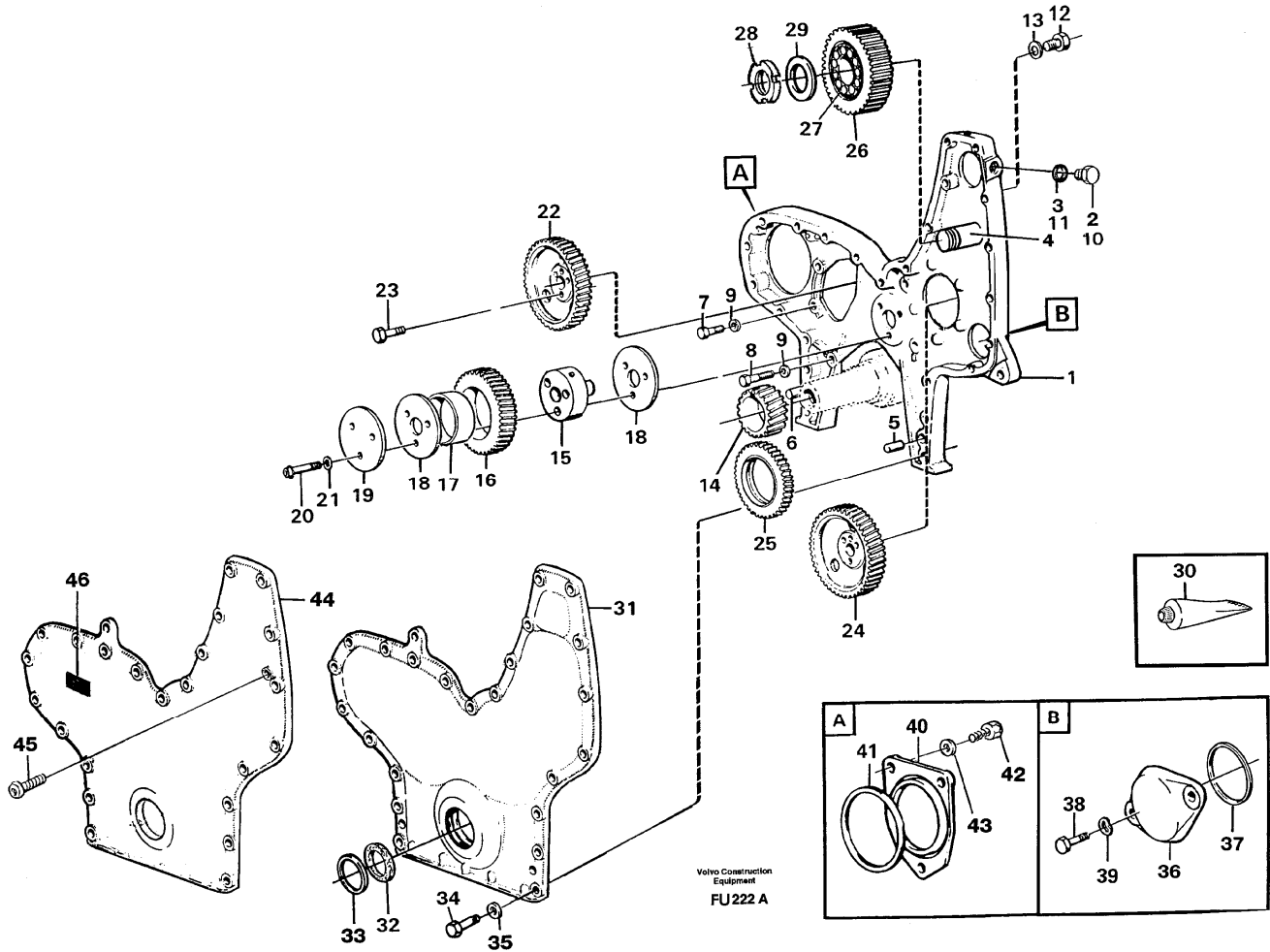


Volvo Construction
Equipment
FU 221

Pos	Part	Q1	Q2	Q3	Q4	Q5	PS	Kit	Description	Option(s)	Remark
1	VOE479863	12							Tappet		(479031)
2	VOE467820	12							Push rod		(VOE467820)ENG 307027
	VOE467820	12							Push rod		(VOE8121477)ENG 307028 -
3	VOE422018	6							Bearing Bracket		
4	VOE7422428	12							Screw		
5	VOE422019	6							Rocker arm shaft		

6	VOE946778	12							•Cap plug		
7	VOE950499	6							•Pin		
8	VOE422063	12							Rocker arm		
9	VOE422066	12							•Bushing		
10	VOE422993	12							•Bolt		
11	VOE940175	12							•Nut		
12	VOE941488	12							Washer		
13	VOE914459	12							Retaining ring		
14	VOE469431	6							Cover		
15	VOE424693	6							Gasket		
16	VOE13940159	12							Screw		(940159)
17	VOE13955894	12							Washer		(955894)
18	VOE469432	5							Cover		
19	VOE469457	1							Cover		
20	VOE424694	6							Gasket		
21	VOE955530	24							Hexagon screw		
22	VOE13941907	24							Washer		(941907)
23	VOE421753	1							Filler cap		
24	VOE955126	3							•Cross recessed screw		
25	VOE1275379	1							Gasket		(VOE940096)
26	VOE417649	1							Sign		

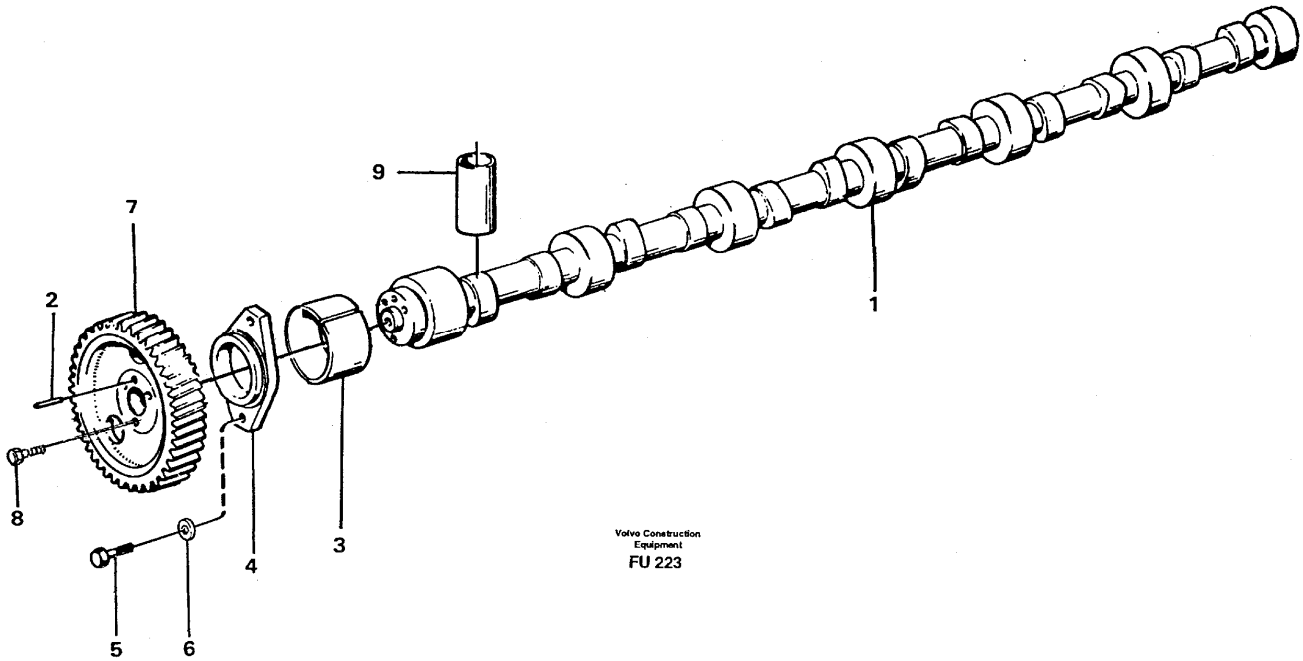
Date: 2014/1/17	Image id: FU222A	Catalogue: 99522	Model: EC390
Brand: Volvo	Serial: 1001-9999	Group/Section: 215/100	Title: Timing gear casing and gears.



Pos	Part	Q1	Q2	Q3	Q4	Q5	PS	Kit	Description	Option(s)	Remark
1	VOE8194639	1							Timg Gear Casing		
2	VOE13960633	2							•Plug		(960633)
3	VOE13947625	2							•Plane Gasket		(947625)
4	VOE8194626	1							•Pin		
5	VOE13941510	1							•Pin		(941510)
6	VOE13941511	1							•Pin		(941511)
7	VOE941939	4							Screw		
8	VOE955537	1							Screw		
9	VOE13942336	5							Spring Washer		(942336)
10	VOE13960633	1							Plug		(960633)
11	VOE13947625	1							Plane Gasket		
12	VOE7192114	1							Plug		
13	VOE13947627	1							Plane Gasket		(947627)
14		1							Crankshaft gear		See ref 216/100

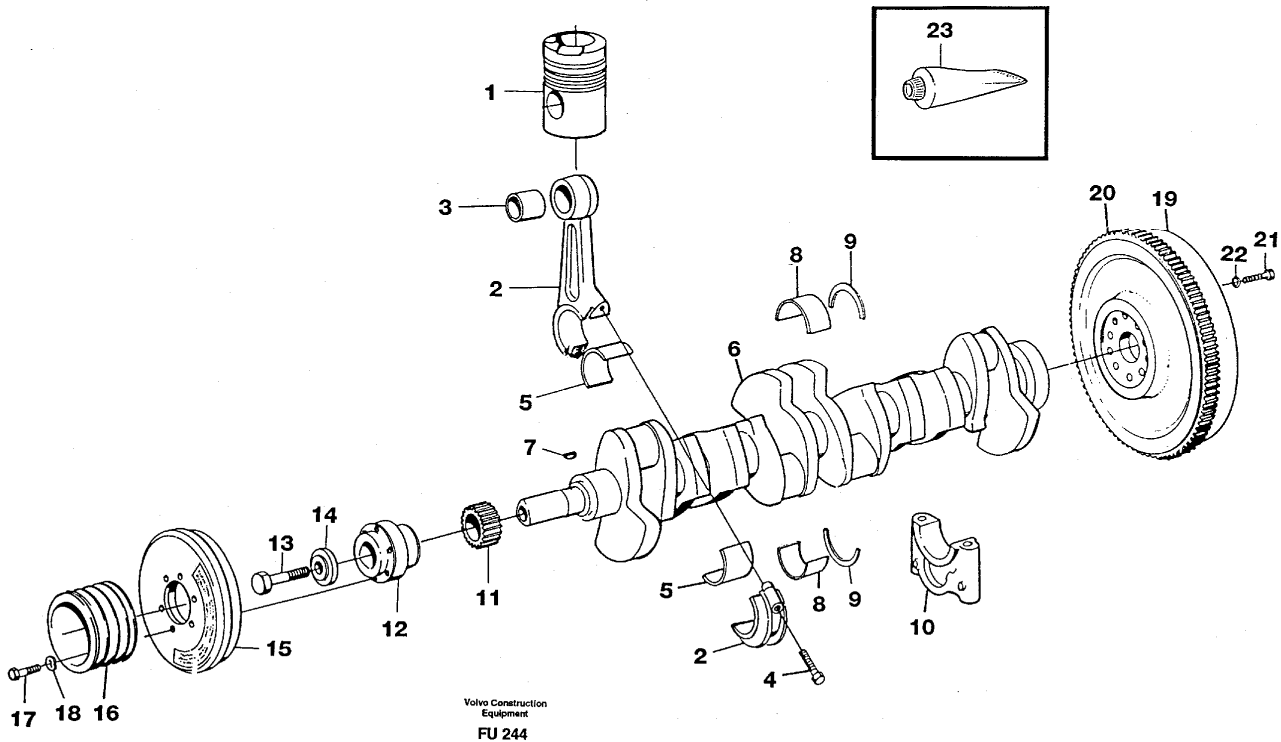
15	VOE8192636	1							Bearing spindle		(VOE479779)
16	VOE479653	1							Idler Gear		
17	VOE479687	1							•Bushing		
18	VOE478951	2							Thrust Washer		
19	VOE478954	1							Bearing Shield		
20	VOE468738	3							Screw		
21	VOE942180	3							Disc Spring		
22	VOE478297	1							Gear		
23	VOE471555	3							Screw		
24		1							Gear, injection pump		See ref 236/150
25		1							Drive gear, oil pump		See ref 221/150
26	VOE478959	1							Idler Gear		
27	VOE478783	1							•Bearing		
28	VOE906634	1							Round Nut		
29	VOE470427	1							Wear Ring		ENG - 302127
30	VOE1161277	REQ							Sealant		20 G
	VOE11713514	REQ							Sealant		(VOE1161231)304 ml
31	VOE11031091	1							Cover		
32	VOE941666	1							•Felt Ring		
33	VOE424983	1							•Sealing ring		
34	VOE13940162	9							Screw		L = 38, (940162)
	VOE955540	2							Screw		L = 70
	VOE955542	8							Screw		L = 83
35	VOE13942336	19							Spring Washer		(942336)
36	VOE468093	1							Cover		
37	VOE468094	1							Sealing ring		
38	VOE955535	2							Hexagon screw		
39	VOE13942336	2							Spring Washer		(942336)
40	VOE420178	1							Cover		
41	VOE13975610	1							O-ring		(975610)
42	VOE955576	3							Screw		
43	VOE941911	3							Spring Washer		
44	VOE479652	1							Noise Shield		
45	VOE13972542	16							•Screw		
46	VOE11033981	1						OP	Label		

Date: 2014/1/17	Image id: FU223	Catalogue: 99522	Model: EC390
Brand: Volvo	Serial: 1001-9999	Group/Section: 215/150	Title: Camshaft



Pos	Part	Q1	Q2	Q3	Q4	Q5	PS	Kit	Description	Option(s)	Remark
1	VOE8194480	1							Camshaft		
2	VOE950588	1							•Pin		
3		7							Bushing		See ref 212/100
4	VOE465789	1							Flange		(VOE469324) ENG-287876
	VOE465789	1							Flange		ENG 287877 -
5	VOE13940115	2							Screw		(940115)
6	VOE13942336	2							Spring washer		(942336)
7		1							Camshaft gear		See ref 215/100
8		3							Screw		See ref 215/100
9		12							Tappet		See ref 214/100

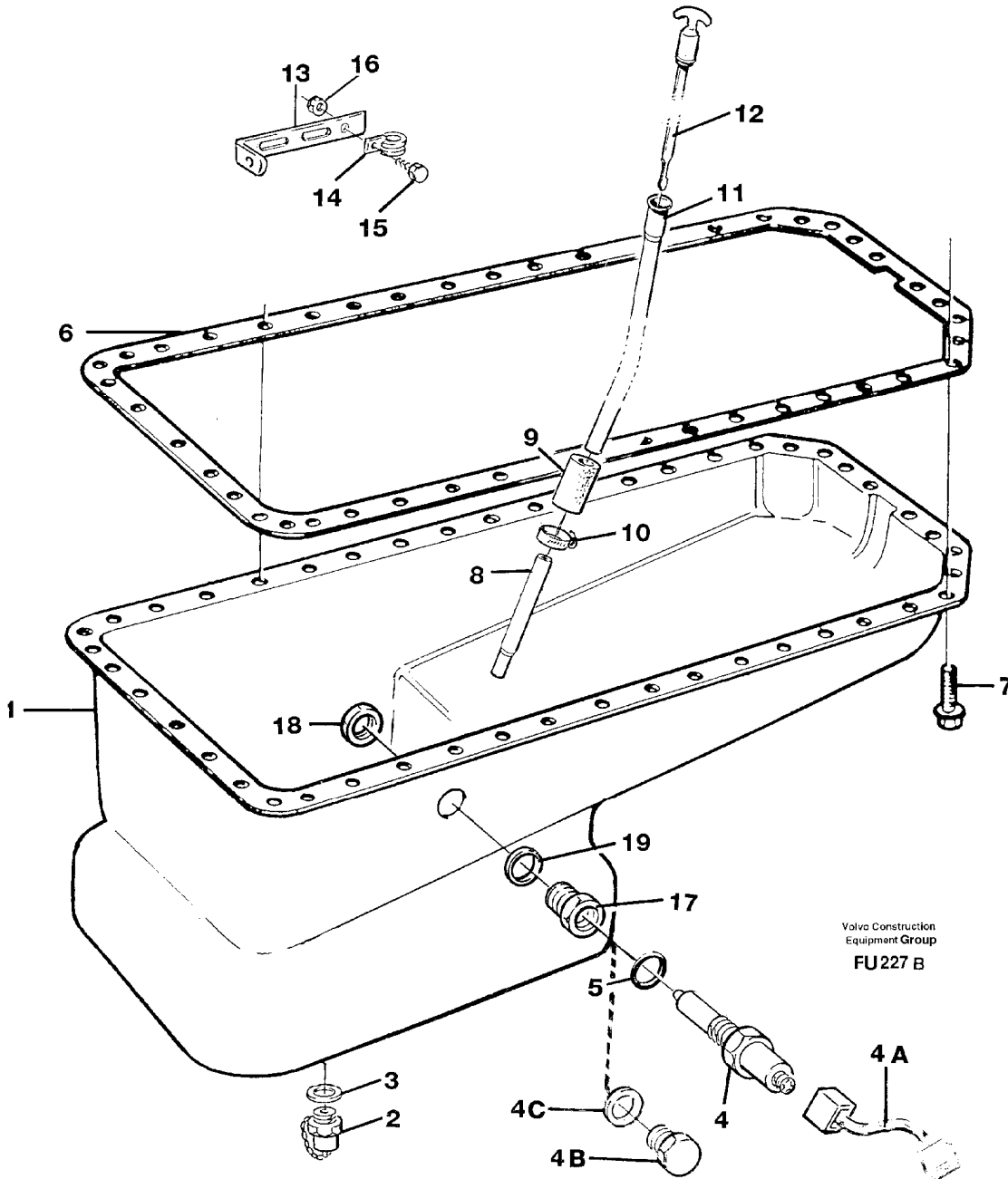
Date: 2014/1/17	Image id: FU244	Catalogue: 99522	Model: EC390
Brand: Volvo	Serial: 1001-9999	Group/Section: 216/100	Title: Crankshaft and related parts



Pos	Part	Q1	Q2	Q3	Q4	Q5	PS	Kit	Description	Option(s)	Remark
1		6							Piston		See ref 213/100
2	VOE422706	6							Connecting rod		
3	VOE422708	6							•Bushing		
4	VOE1545479	12							•Screw		
5	VOE270124	6							Big End Brg Kit		STD
5	VOE270125	6							Big End Brg Kit		0,25 O SZ
5	VOE270126	6							Big End Brg Kit		0,50 O SZ
5	VOE270127	6							Big End Brg Kit		0,75 O SZ
5	VOE270128	6							Big End Brg Kit		1,00 O SZ
6	VOE20381957	1							Crankshaft		(VOE8194304)
7	VOE422253	1							•Key		
8	VOE270438	7							Main bearing kit		STD
8	VOE270439	7							Main bearing kit		0,010" U SZ
8	VOE270440	7							Main bearing kit		0,020" U SZ
8	VOE270441	7							Main bearing kit		0,030" U SZ
8	VOE270442	7							Main bearing kit		0,040" U SZ
8	VOE270443	7							Main bearing kit		0,050" U SZ
9	VOE276758	1							Thrust washer kit		STD

9	VOE276759	1						Thrust washer kit		0,1 O SZ
9	VOE276760	1						Thrust washer kit		0,2 O SZ
9	VOE276761	1						Thrust washer kit		0,3 O SZ
10		7					NS	Cap		
11	VOE423080	1						Gear		
12	VOE478506	1					SS	Hub		
13	VOE941494	1						Screw		
14	VOE422124	1						Washer		
15	VOE422924	1						Vibration damper		
16	VOE1545284	1						Pulley		
17	VOE955550	6						Hexagon screw		
18	VOE13941909	6						Washer		
19	VOE864997	1					OP	Flywheel		
20	VOE420794	1						•Gear ring		
21	VOE478717	14						Screw		
22	VOE467773	14						Washer		
23	VOE1161277	REQ						Sealant		

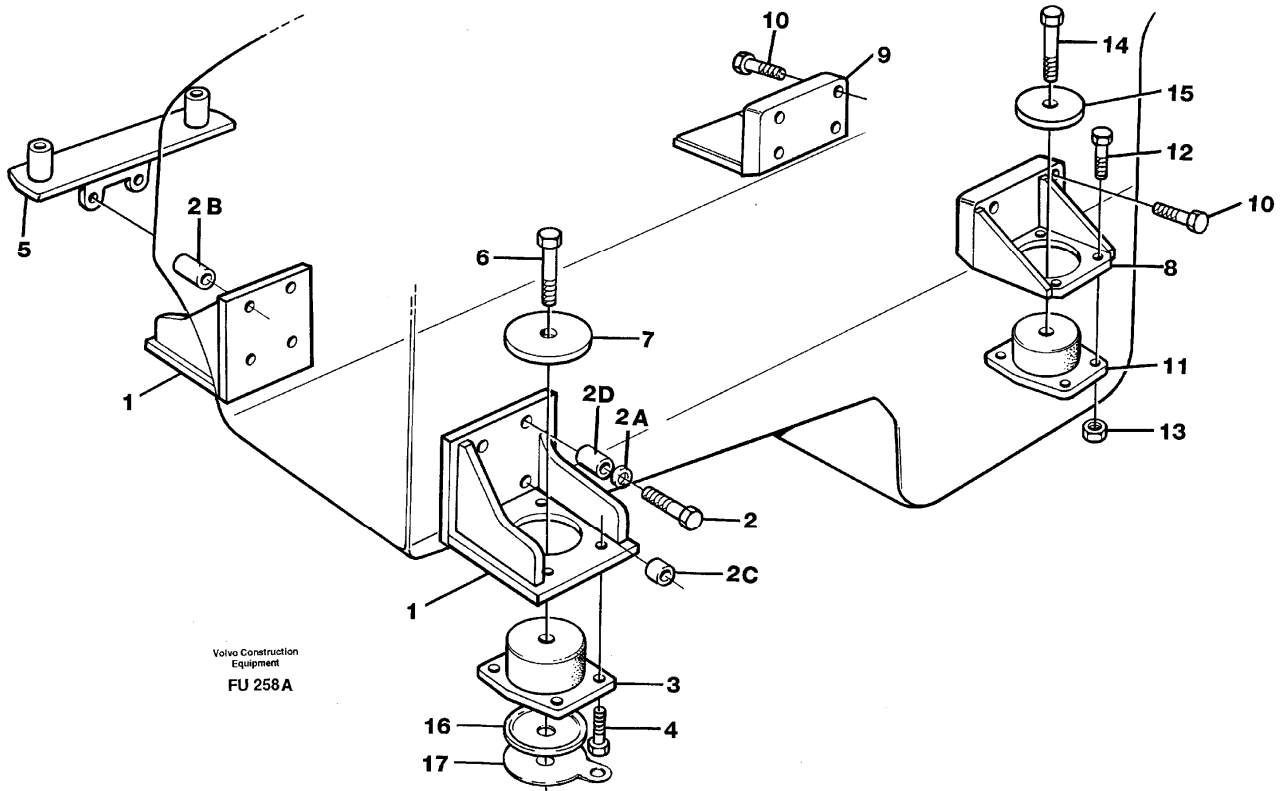
Date: 2014/1/17	Image id: FU227B	Catalogue: 99522	Model: EC390
Brand: Volvo	Serial: 1001-9999	Group/Section: 217/100	Title: Oil sump



Pos	Part	Q1	Q2	Q3	Q4	Q5	PS	Kit	Description	Option(s)	Remark
1	VOE11031299	1							Oil pan		
2	VOE11054692	1							Valve		
3	VOE949329	1							Gasket		
4	VOE14263367	1							Level guard		B41, SER NO - 1087

	VOE14345269	1							Level guard		B41, SER NO 1088 - 1143
4A	VOE14345271	1							Cable harness		SER NO 1088 - 1143
4B	VOE914391	1							Plug		SER NO 1144 -
4C	VOE947623	1							Gasket		SER NO 1144 -
5	VOE14042936	1							Sealing washer		(VOE944496)
6	VOE1545696	1							Gasket		
7	VOE942402	34							Flange screw		L = 16MM
7	VOE955525	7							Hexagon screw		L = 25MM
8	VOE479328	1							Tube		
9	VOE8149606	1							Rubber hose		
10	VOE13943472	2							Hose clamp		
11	VOE11031269	1							Tube		
12	VOE11032120	1							Oil dipstick		
	VOE421723	1							•Sealing		
13	VOE965561	1							Bracket		
14	VOE952629	1							Clamp		
15	VOE13946544	1							Screw		
16	VOE13945408	1							Nut		
17	VOE11031289	1							Plug		
18	VOE468948	1							Nut		
19	VOE468947	1							Sealing ring		

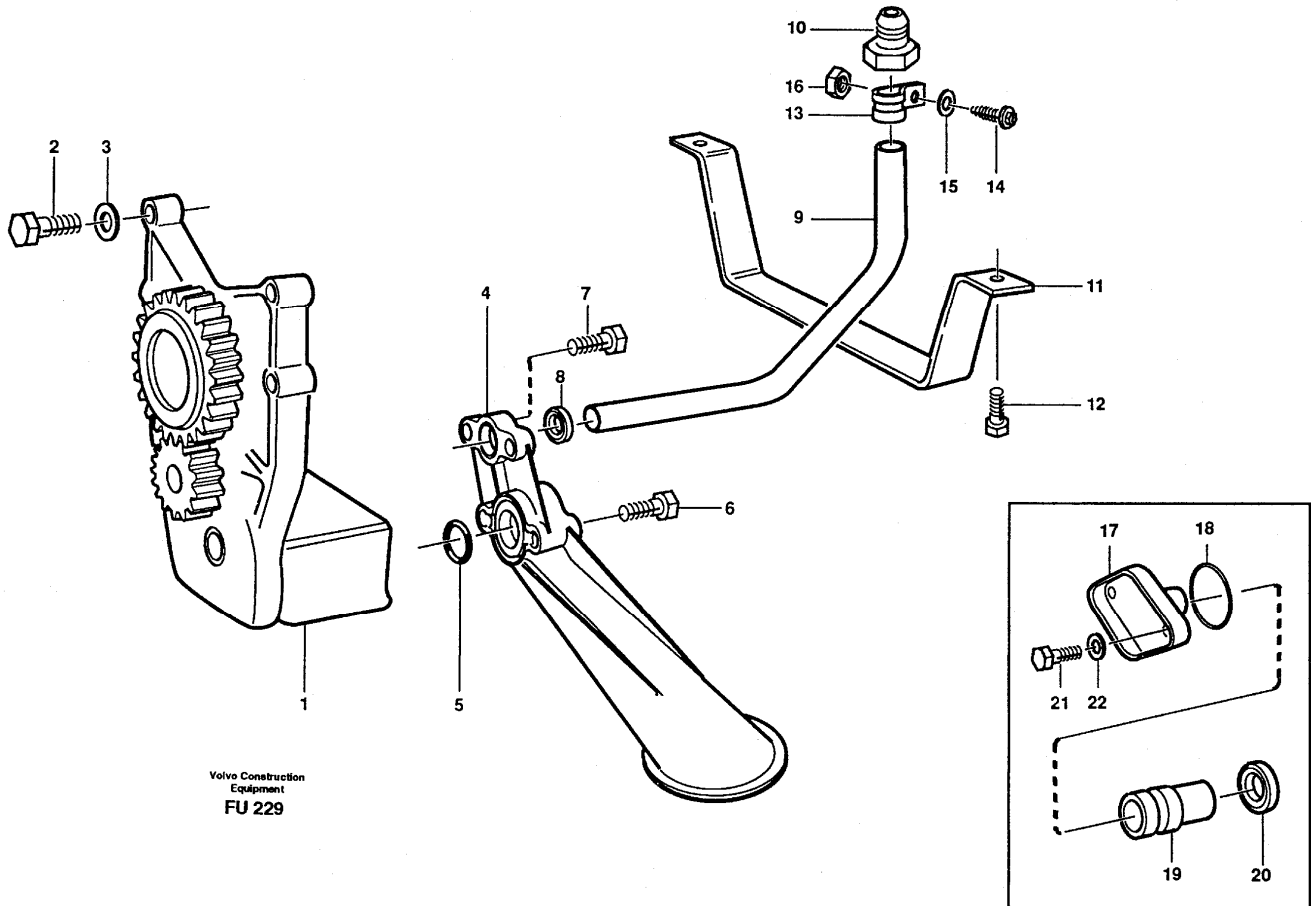
Date: 2014/1/17	Image id: FU258A	Catalogue: 99522	Model: EC390
Brand: Volvo	Serial: 1001-9999	Group/Section: 218/100	Title: Engine mounting



Pos	Part	Q1	Q2	Q3	Q4	Q5	PS	Kit	Description	Option(s)	Remark
1	VOE14344757	2							Engine anchorage		LH, FRONT AND REAR
2	VOE13970906	4							Hexagon screw		L = 70MM
	VOE13970910	4							Hexagon screw		L = 100MM
2A	VOE14248129	10							Washer		
2B	VOE14344699	2							Spacer		
2C	VOE14344696	4							Spacer		
2D	VOE14344698	2							Spacer		
3	VOE14343643	2							Rubber cushion		(VOE14341744)
4	VOE14310063	8							Screw		
5	VOE14268025	1							Bracket		
6	VOE963347	2							Hexagon screw		
7	VOE14343874	2							Washer		
8	VOE14344716	1							Engine anchorage		RH, REAR
9	VOE14344717	1							Engine anchorage		RH, FRONT
10	VOE14310035	8							Lock screw		
10A	VOE955899	8							Washer		
11	VOE14343643	2							Rubber cushion		(VOE14341744)

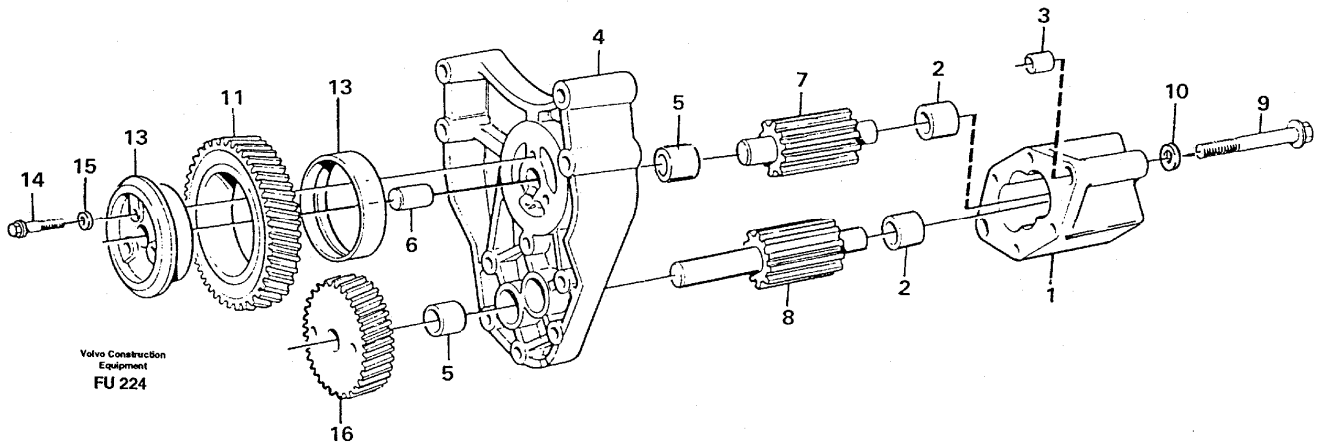
12	VOE13965185	8							Screw		
13	VOE13971098	8							Flange nut		
14	VOE963347	2							Hexagon screw		
15	VOE14343874	2							Washer		
16	VOE14343658	4							Washer		SER NO 1039 -
17	VOE14343689	REQ							Shim		SER NO 1039 -

Date: 2014/1/17	Image id: FU229	Catalogue: 99522	Model: EC390
Brand: Volvo	Serial: 1001-9999	Group/Section: 221/100	Title: Lubricating oil system



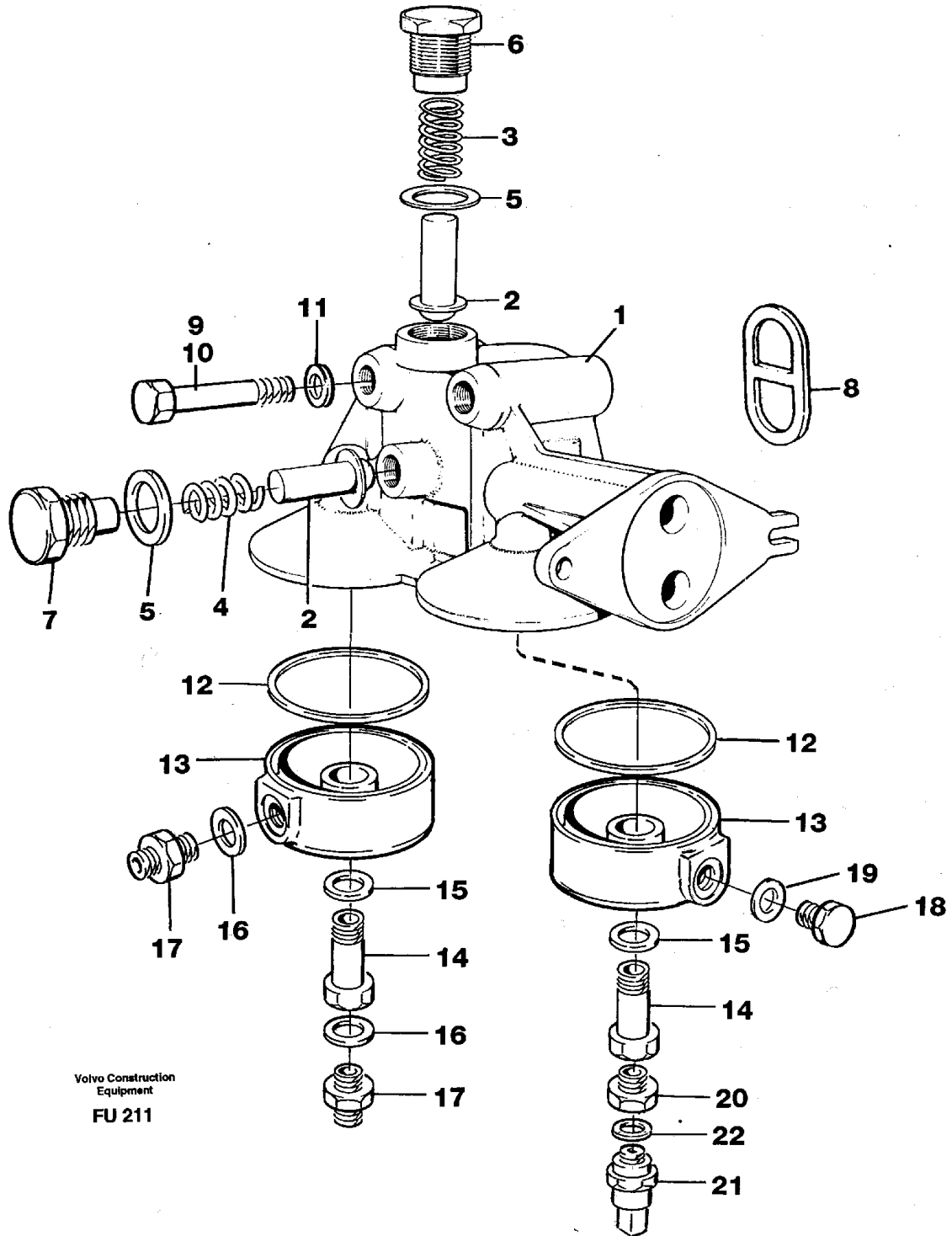
Pos	Part	Q1	Q2	Q3	Q4	Q5	PS	Kit	Description	Option(s)	Remark
1		1							Oil pump		See ref 221/150
2	VOE955538	4							Hexagon screw		
3	VOE13942336	4							Spring washer		
4	VOE479325	1							Oil strainer		
5	VOE949659	1							O-ring		
6	VOE959794	2							Hexagon screw		
7	VOE13949886	2							Bolt		
8	VOE470263	1							Sealing ring		
9	VOE8125392	1							Oil feed pipe		
10	VOE466908	1							Fitting		
11	VOE470918	1							Bracket		
12	VOE942402	2							Flange screw		
13	VOE11000239	1							Clamp		
14	VOE942402	1							Flange screw		
15	VOE13955894	1							Washer		

Date: 2014/1/17	Image id: FU224	Catalogue: 99522	Model: EC390
Brand: Volvo	Serial: 1001-9999	Group/Section: 221/150	Title: Oil pump



Pos	Part	Q1	Q2	Q3	Q4	Q5	PS	Kit	Description	Option(s)	Remark
	VOE478649	1							Oil pump		
1		1					NS		•Housing		
2	VOE470347	2							••Bushing		
3	VOE401146	2							••Guide sleeve		
4	VOE470349	1					NS		•Bracket		
5	VOE470347	2							••Bushing		
6	VOE191171	1							•Pin		(VOE7191171)
7		1					NS		•Shaft		
8	VOE478232	1							•Drive Gear		
9	VOE955531	2							•Hexagon screw		
10	VOE13941907	2							•Washer		
11	VOE422047	1							•Idler gear		
12	VOE422314	1							••Bushing		
13	VOE422313	1							•Bearing sleeve		
14	VOE940186	3							•Hexagon screw		
15	VOE13941907	3							•Washer		
16	VOE478232	1							•Drive Gear		
	VOE276156	1							Repair kit		

Date: 2014/1/17	Image id: FU211	Catalogue: 99522	Model: EC390
Brand: Volvo	Serial: 1001-9999	Group/Section: 222/150	Title: Filter housing

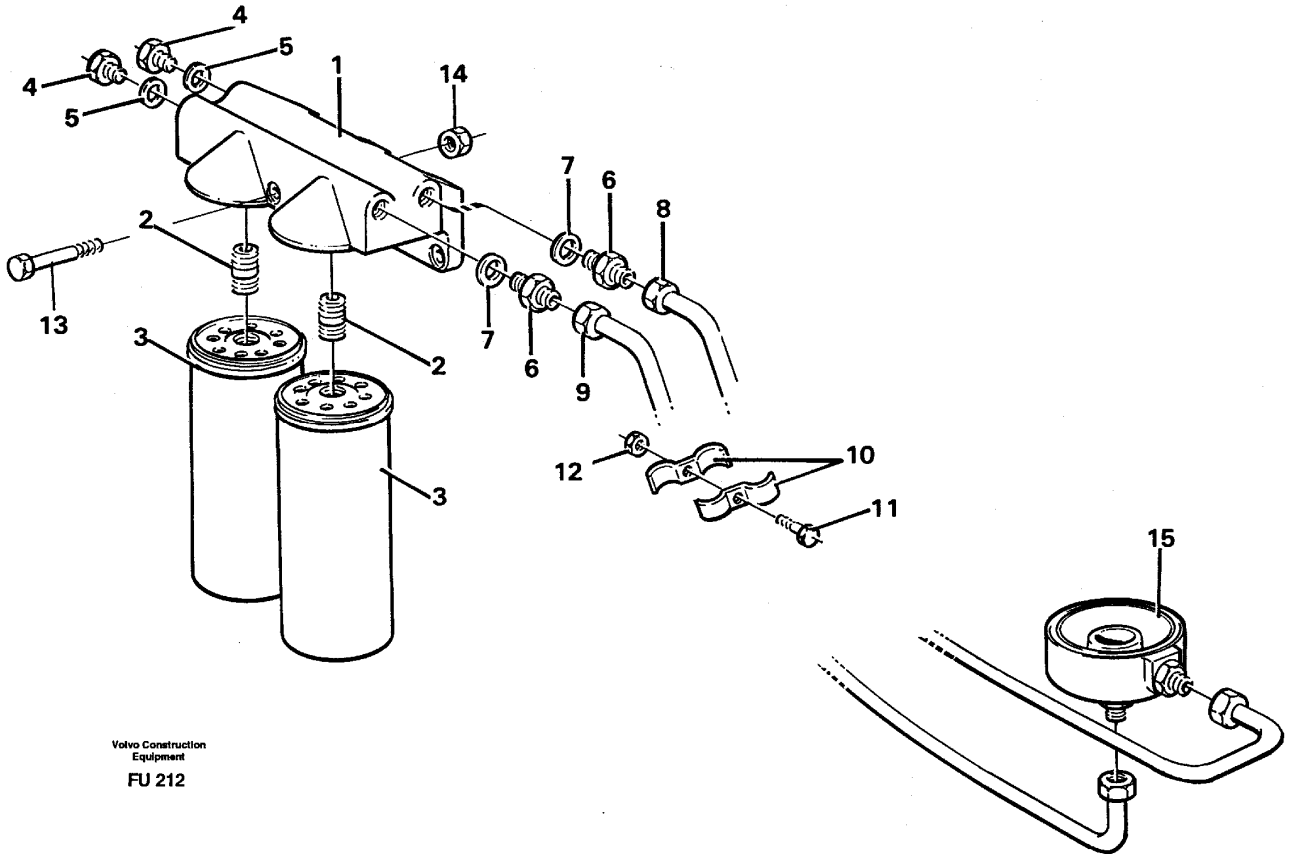


Volvo Construction
Equipment
FU 211

Pos	Part	Q1	Q2	Q3	Q4	Q5	PS	Kit	Description	Option(s)	Remark
	VOE8194717	1							Oil filter housing		(VOE422811)

1	VOE1545769	1					NS		•Housing		
2	VOE471085	2							•Valve cone		
3	VOE466653	1							•Compression spring		
4	VOE471775	1							•Compression spring		
5	VOE957185	2							•Gasket		
6	VOE466624	1							•Plug		
7	VOE478176	1							•Plug		
8	VOE469487	1							Gasket		
9	VOE955544	2							Hexagon screw		L = 102 MM
10	VOE13940115	2							Screw		L = 25 MM
11	VOE13942336	4							Spring washer		
12	VOE13948981	2							O-ring		
13	VOE11031906	2							Cover		
14	VOE11031907	2							Reduction nipple		
15	VOE11032095	2							Gasket		
16	VOE948885	2							Plane gasket		
17	VOE947554	2							Nipple		
18	VOE13960634	1							Plug		
19	VOE948885	1							Plane gasket		
20	VOE13966459	1							Nipple		
21	VOE3962893	1							Sensor		B47
22	VOE7011996	1							Gasket		

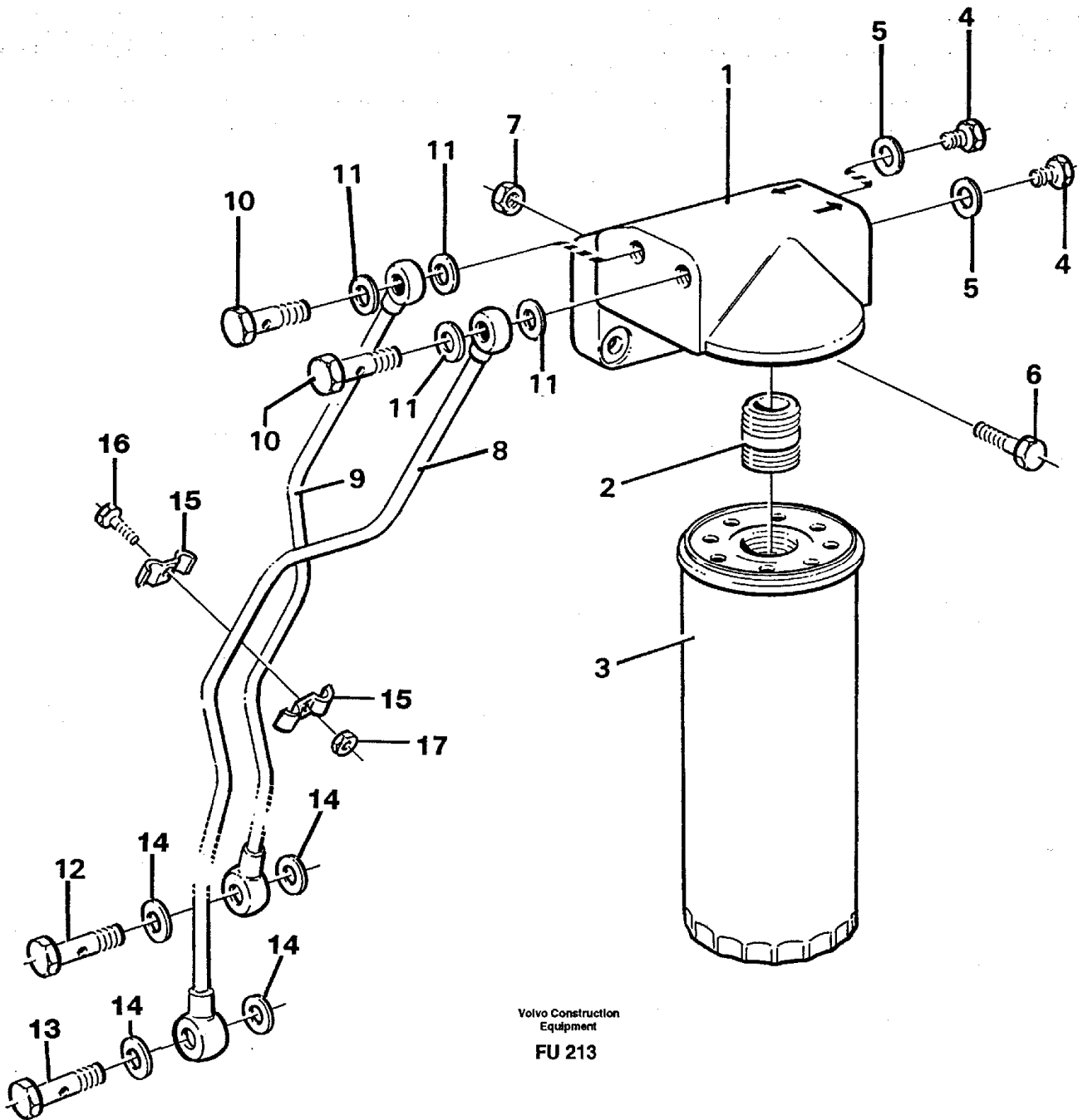
Date: 2014/1/17	Image id: FU212	Catalogue: 99522	Model: EC390
Brand: Volvo	Serial: 1001-9999	Group/Section: 222/200	Title: Oil filter



Volvo Construction
Equipment
FU 212

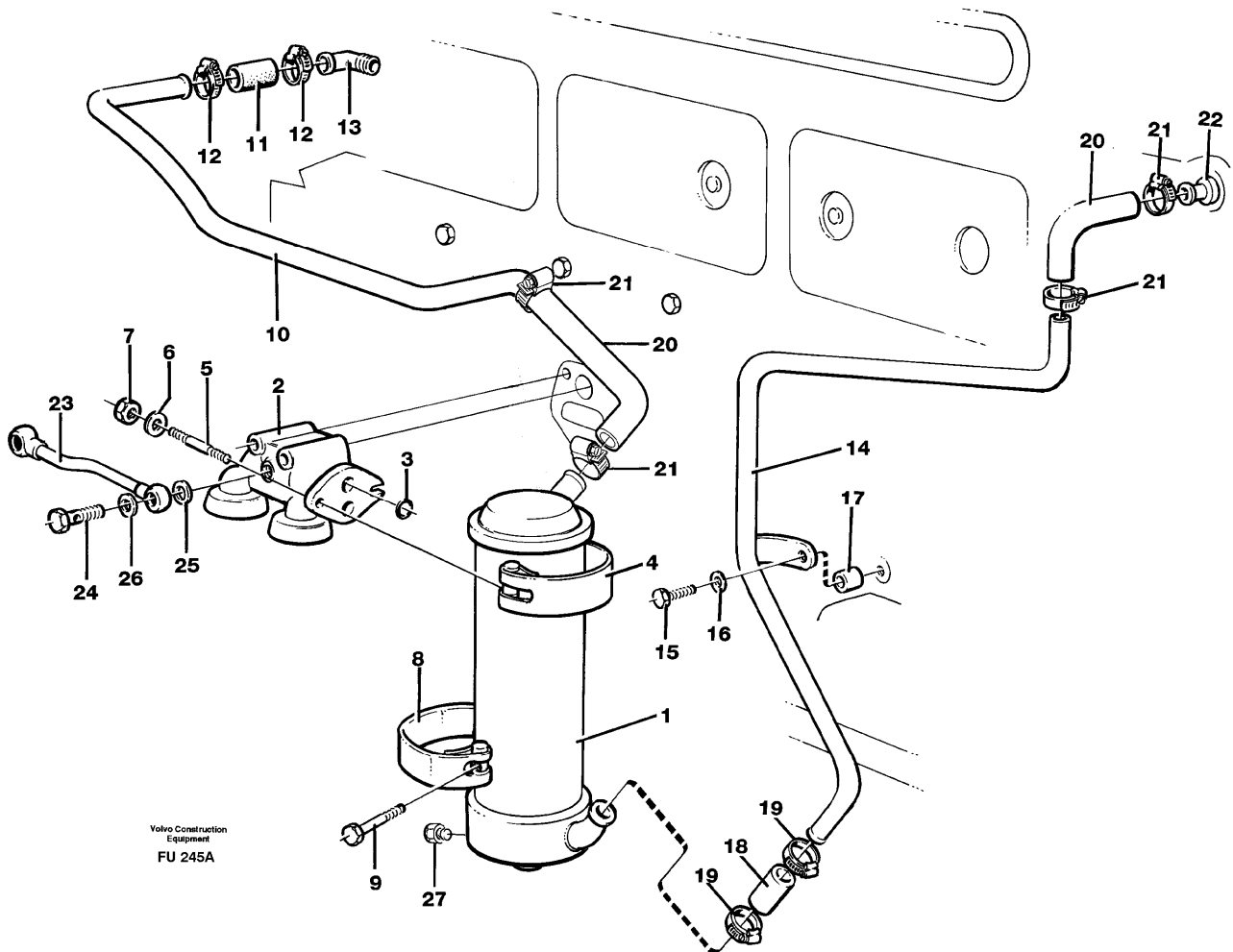
Pos	Part	Q1	Q2	Q3	Q4	Q5	PS	Kit	Description	Option(s)	Remark
1	VOE11031901	1							Oil Filter Hsg		
2	VOE466623	2							Nipple		
3	VOE466634	2							Oil Filter		
4	VOE13960634	2							Plug		
5	VOE13947627	2							Plane Gasket		(VOE947627)
6	VOE947554	2							Nipple		
7	VOE948885	2							Plane Gasket		
8	VOE11031245	1							Pipe		
9	VOE11031246	1							Pipe		
10	VOE947219	4							Clamp		(VOE13947219)
11	VOE965212	2							Screw		(VOE13965212)
12	VOE13945407	2							Nut		
13	VOE13965185	3							Flange screw		L = 40mm
	VOE968237	1							Flange screw		L = 120mm
14	VOE13971095	4							Flange nut		
15		1							Cap		See ref 222/150

Date: 2014/1/17	Image id: FU213	Catalogue: 99522	Model: EC390
Brand: Volvo	Serial: 1001-9999	Group/Section: 222/250	Title: Oil filter, By Pass



Pos	Part	Q1	Q2	Q3	Q4	Q5	PS	Kit	Description	Option(s)	Remark
1	VOE11127104	1							Oil filter housing		(VOE11031921)
2	VOE469904	1							Nipple		
3	VOE477556	1							Oil Filter		
4	VOE960630	2							Plug		
5	VOE13947621	2							Plane Gasket		

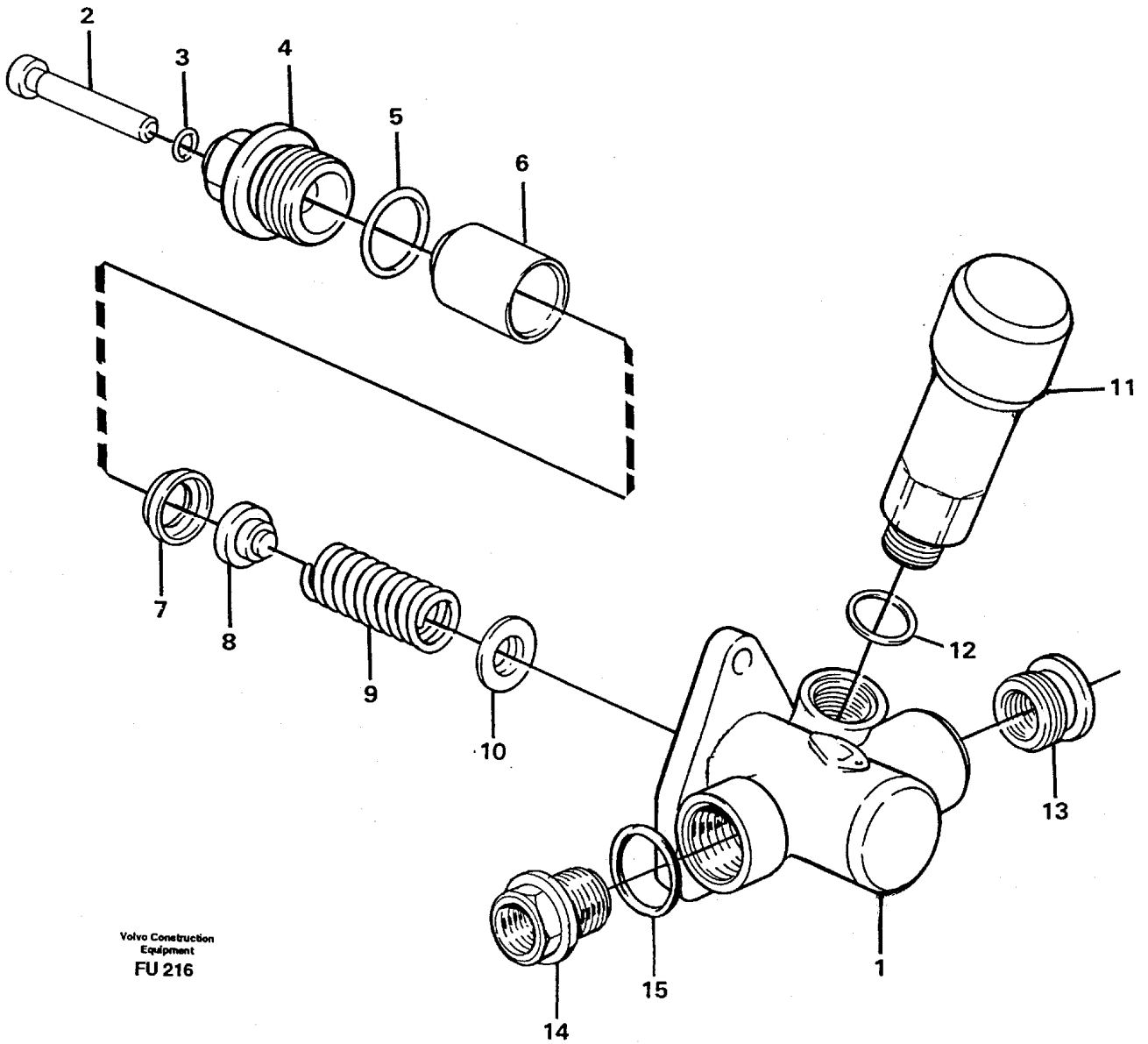
Date: 2014/1/17	Image id: FU245A	Catalogue: 99522	Model: EC390
Brand: Volvo	Serial: 1001-9999	Group/Section: 223/100	Title: Oil cooler



Pos	Part	Q1	Q2	Q3	Q4	Q5	PS	Kit	Description	Option(s)	Remark
1	VOE468999	1							Oil cooler		
2		1							Filter Housing		See ref 222/150
3	VOE469483	2							Sealing ring		
4	VOE1545255	1							Tensioning band		
5	VOE924072	2							Stud		
6	VOE976944	2							Washer		(VOE13960141)
7	VOE955782	2							Hexagon nut		
8	VOE1545256	1							Tensioning band		
9	VOE1545257	1							Screw		
10	VOE11031251	1							Pipe		
11	VOE943369	REQ							Hose		L = 2 x 75MM
12	VOE13943474	4							Hose clamp		

13	VOE467716	1							Nipple		
14	VOE11031252	1							Pipe		
15	VOE855525	1							Bearing		
16	VOE13955894	1							Washer		
17	VOE847150	1							Spacer sleeve		
18	VOE351574	1							Hose		
19	VOE13943474	2							Hose clamp		
20	VOE11162233	2							Hose		(VOE11030862)
21	VOE13943472	2							Hose clamp		
22	VOE479974	1							Nipple		
23	VOE422819	1							Delivery pipe		
24	VOE942007	2							Hollow screw		
25	VOE11700303	2							Seal		(VOE7011998)
26	VOE942703	2							Gasket		
27	VOE180759	1							Plug		

Date: 2014/1/17	Image id: FU216	Catalogue: 99522	Model: EC390
Brand: Volvo	Serial: 1001-9999	Group/Section: 233/100	Title: Feed pump



Pos	Part	Q1	Q2	Q3	Q4	Q5	PS	Kit	Description	Option(s)	Remark
	VOE863474	1							Feed pump		
1		1					NS		•Housing		
2	VOE862461	1							•Push rod		
3	VOE11716292	1							•O-ring		(VOE244829)
4	VOE244827	1							•Nipple		
5	VOE15031180	1							•O-ring		(VOE244828)
6	VOE244831	1							•Piston		
7	VOE11706665	1							•Spacer ring		(VOE870249)

8	VOE244834	1							•Valve		
9	VOE862462	1							•Compression spring		
10	VOE244833	2							•Spring disc		
11	VOE3094547	1							•Hand pump		(VOE3826073) (11991822)
12	VOE240572	1							•Gasket		(VOE7240572)
13	VOE244836	1							•Bushing		
14	VOE244837	1							•Nipple		FD - 366, M24 x 1,5
	VOE3094340	1							•Nipple		FD 367 - , M22 x 1,5
15	VOE244838	1							•O-ring		FD - 368
	VOE3094341	1							•O-ring		FD 369 -

Thank you so much for reading.
Please click the “Buy Now!”
button below to download the
complete manual.



After you pay.

You can download the most
perfect and complete manual in
the world immediately.

Our support email:

ebooklibonline@outlook.com