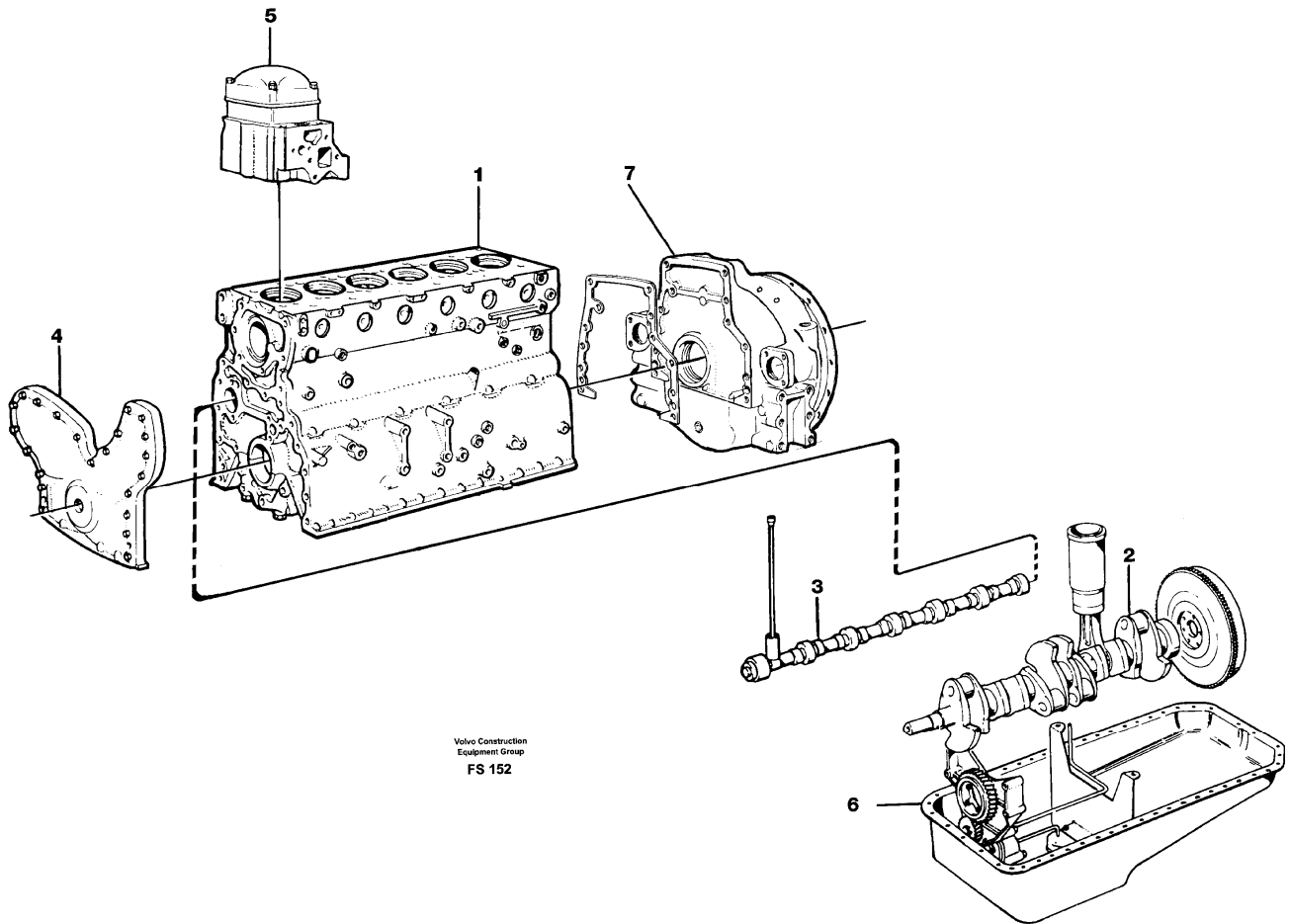
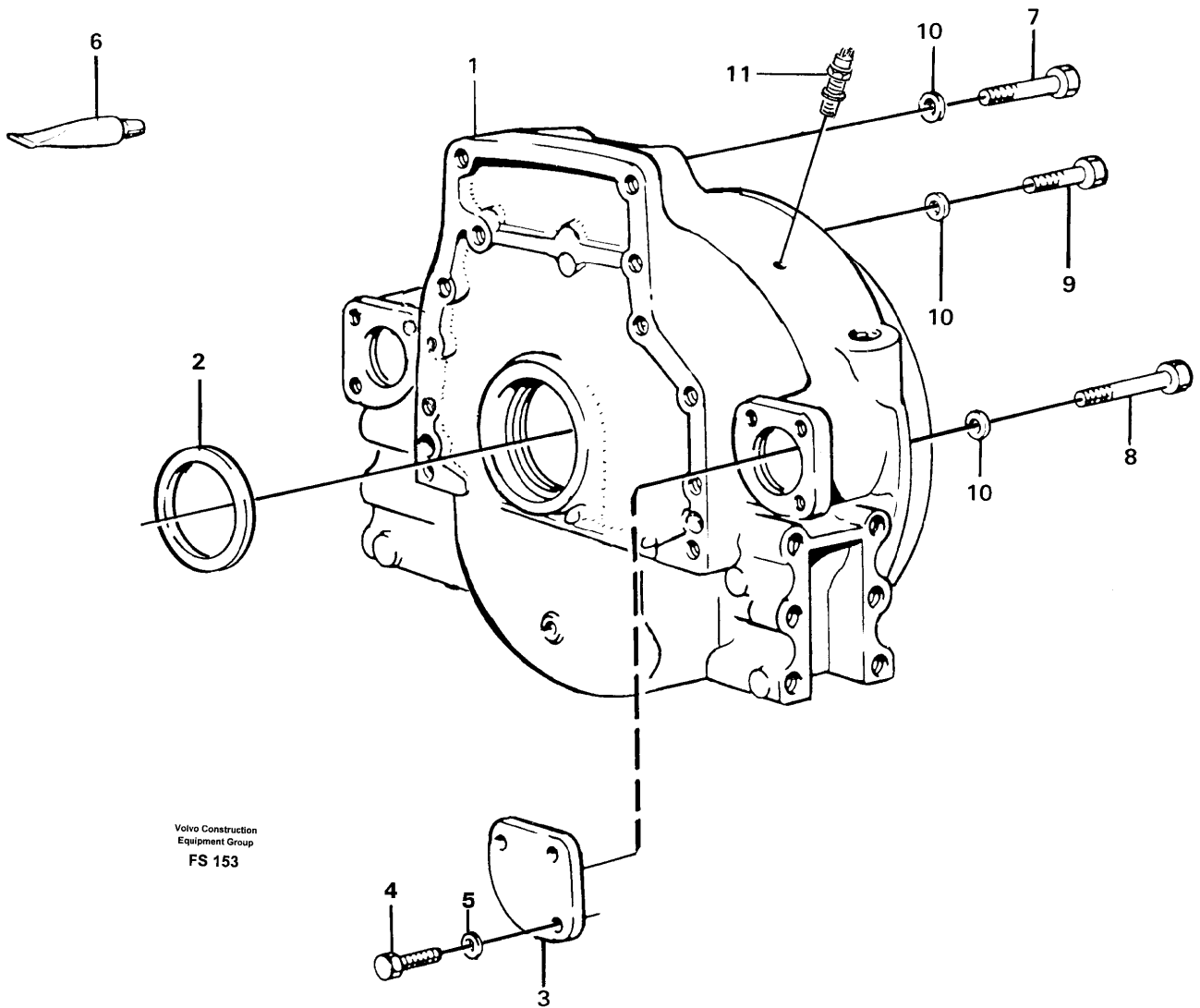


Date: 2014/1/18	Image id: FS152	Catalogue: 99507	Model: EC420
Brand: Åkerman	Serial: 1357-1550	Group/Section: 3/4000	Title: Engine Td101ge



Pos	Part	Q1	Q2	Q3	Q4	Q5	PS	Kit	Description	Option(s)	Remark
	VOE497772	1					OP		Engine		
1									•Cylinder block		See ref 3/4050
											See ref 3/4100
2									•Crankshaft		See ref 3/4300
3									•Camshaft		See ref 3/4200
4									•Tmg gear cover		See ref 3/4250
5									•Cylinder head		See ref 3/4150
6									•Oil sump		See ref 3/4500
7									•Flywheel housing		See ref 3/4025

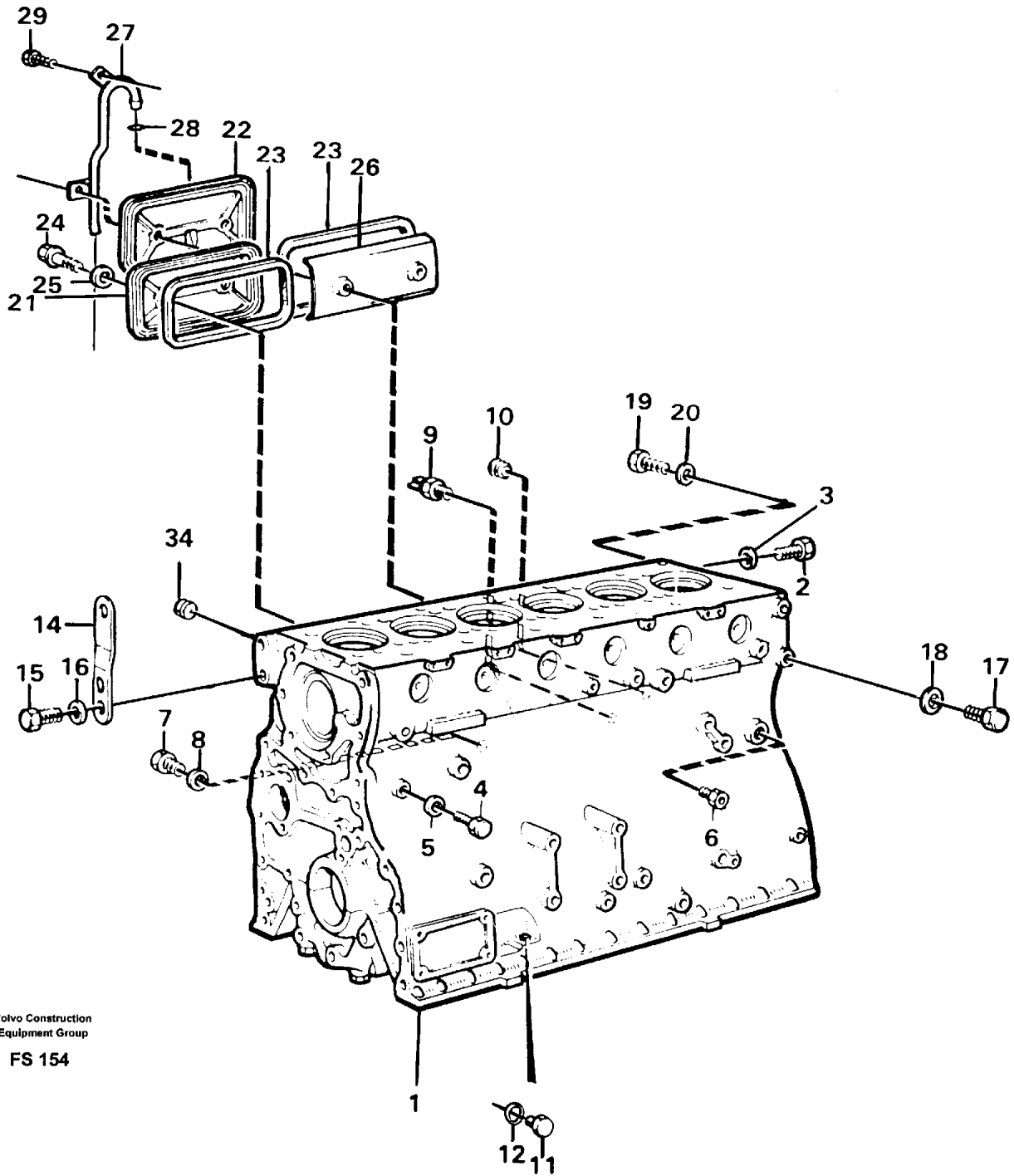
Date: 2014/1/18	Image id: FS153	Catalogue: 99507	Model: EC420
Brand: Åkerman	Serial: 1357-1550	Group/Section: 3/4025	Title: Flywheel housing



Pos	Part	Q1	Q2	Q3	Q4	Q5	PS	Kit	Description	Option(s)	Remark
1	VOE848961	1					OP		Flywheel housing		
2	VOE3825164	1					SS		•Sealing ring		
3	VOE423081	1							•Seal flange		
4	VOE13940114	3							•Screw		
5	VOE13942336	3							•Spring washer		
6	VOE11713514	REQ							Sealant		(VOE1161231)
	VOE1161277	REQ							Sealant		20G
7	VOE955582	2							Hexagon screw		
8	VOE955587	2							Hexagon screw		

9	VOE955580	8							Hexagon screw		
10	VOE941911	12							Spring washer		
11	VOE11039533	1							Induction sensor		

Date: 2014/1/18	Image id: FS154	Catalogue: 99507	Model: EC420
Brand: Åkerman	Serial: 1357-1550	Group/Section: 3/4050	Title: Cylinder block

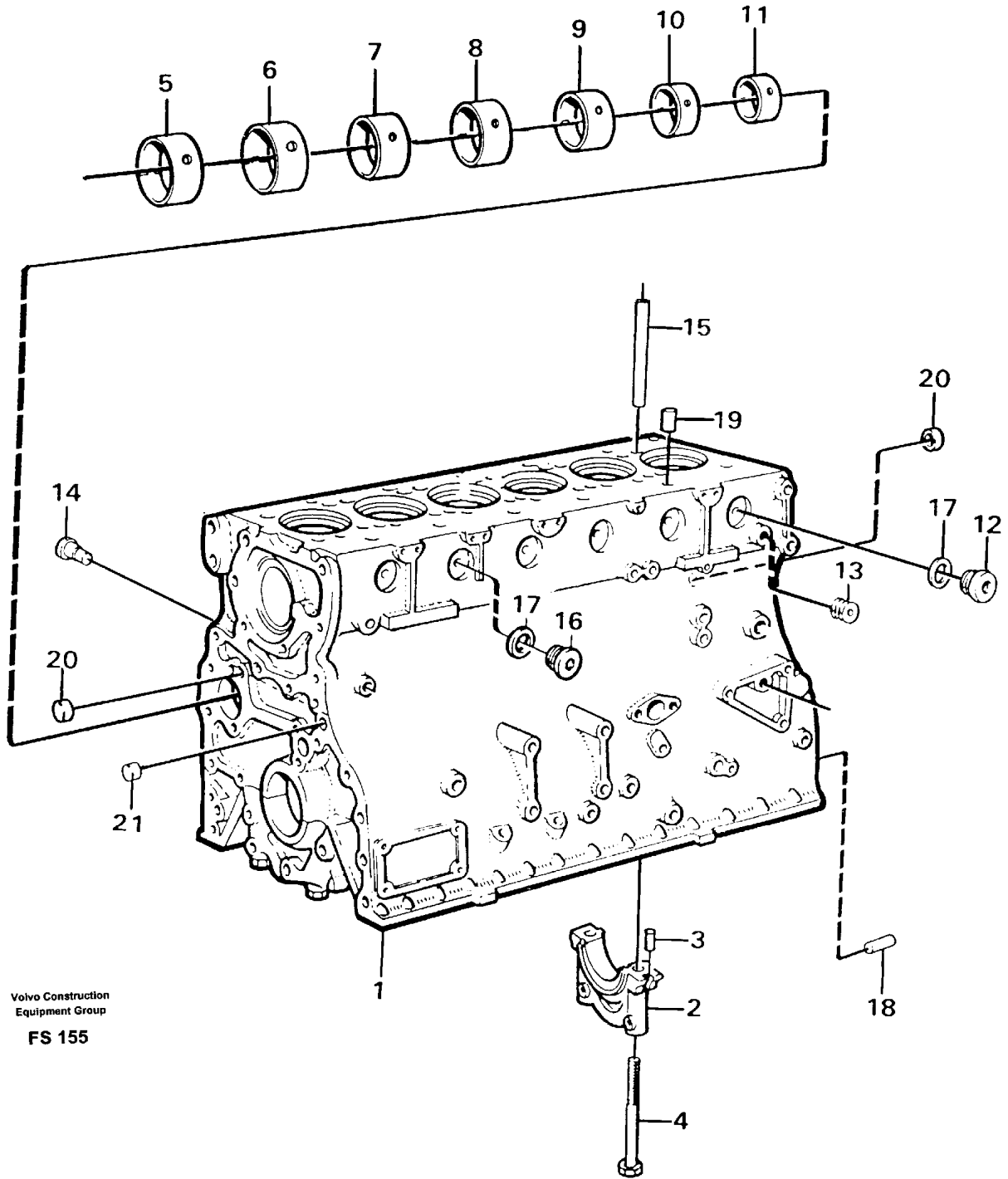


Volvo Construction
Equipment Group
FS 154

Pos	Part	Q1	Q2	Q3	Q4	Q5	PS	Kit	Description	Option(s)	Remark
1		1							Cylinder block		See ref 3/4100

	VOE11031286	1							•Oil feed pipe		
2	VOE422550	1							Fitting		
3	VOE468463	1							Gasket		
4	VOE180761	1							Plug		
5	VOE7011996	1							Gasket		
6	VOE479954	1							Nipple		
7	VOE7016318	2							Plug		
8	VOE13947281	2							Gasket		
9		1							Oil press snsr		See ref 3/3900
10	VOE13947814	1							Plug		
11	VOE13948187	2							Plug		
12	VOE13947625	2							Plane gasket		
14	VOE1545720	1							Lifting eye		
15	VOE955561	2							Hexagon screw		
16	VOE940280	2							Spring washer		
17	VOE955561	2							Hexagon screw		
18	VOE940280	2							Spring washer		
19	VOE955561	2							Hexagon screw		
20	VOE940280	2							Spring washer		
21	VOE423120	2							Hatch		
22	VOE423121	1							Hatch		
23	VOE469823	3							Gasket		
24	VOE422541	6							Screw		
25	VOE471856	6							Sealing ring		
26	VOE422542	1							Splash plate		
27	VOE467090	1							Breather pipe		
28	VOE421158	1							Sealing ring		
29	VOE942402	2							Flange screw		
34	VOE422369	7							Plug		

Date: 2014/1/18	Image id: FS155	Catalogue: 99507	Model: EC420
Brand: Åkerman	Serial: 1357-1550	Group/Section: 3/4100	Title: Cylinder block

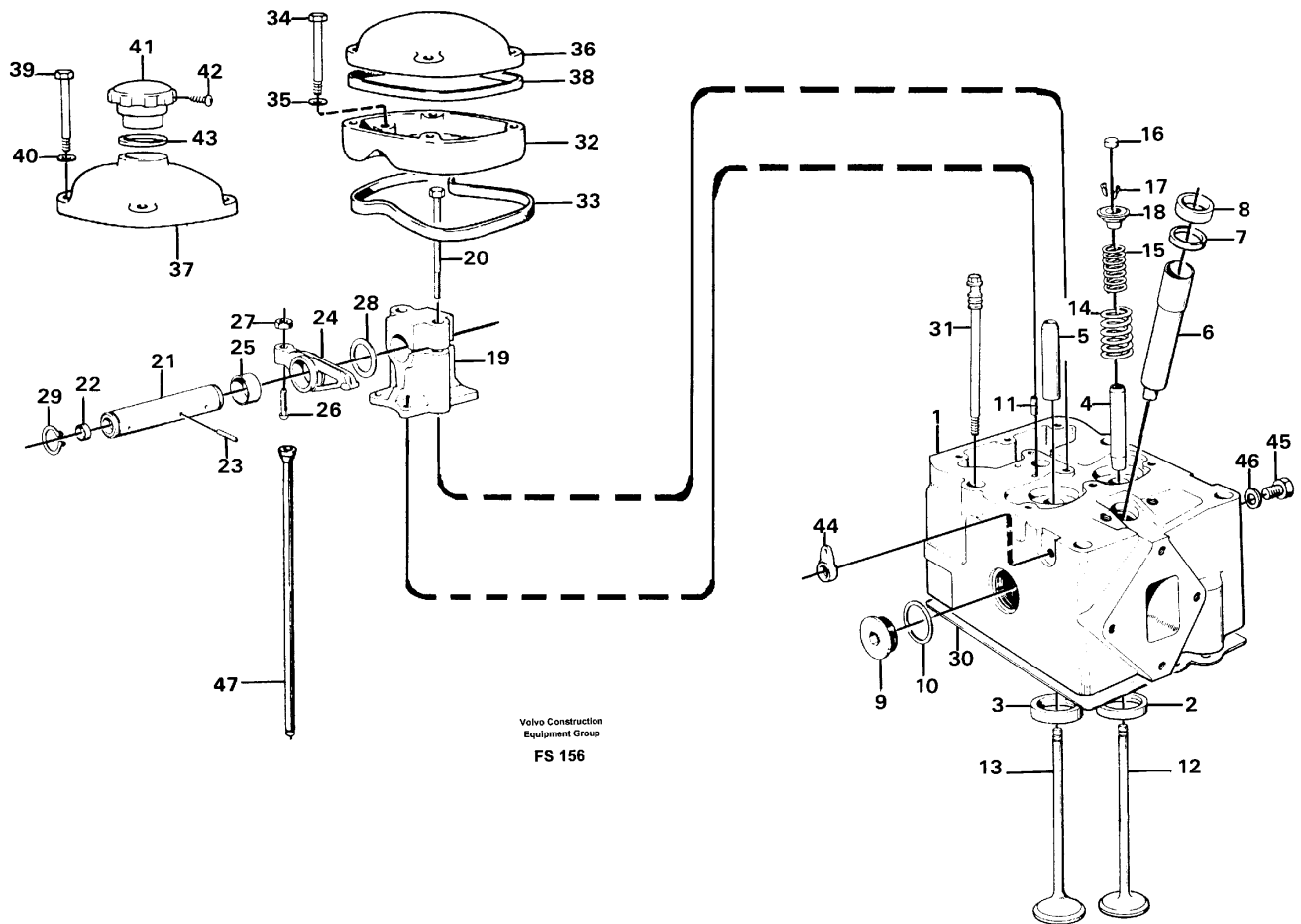


Volvo Construction
Equipment Group
FS 155

Pos	Part	Q1	Q2	Q3	Q4	Q5	PS	Kit	Description	Option(s)	Remark
1	VOE479650	1					SS		Cylinder block		

	VOE11031286	1							•Oil feed pipe		
2	VOE467630	7							Cap		
3	VOE422426	1							Pin		
4	VOE7422067	14							Screw		
5	VOE422076	1							Bushing		(VOE479680)
6	VOE422077	1							Bushing		(VOE479681)
7	VOE422078	1							Bushing		(VOE479682)
8	VOE11000014	1							Bushing		(VOE479683)
9	VOE422080	1							Bushing		(VOE479684)
10	VOE422081	1							Bushing		(VOE479685)
11	VOE422082	1							Bushing		(VOE479686)
12	VOE821335	1							Plug		
13	VOE952075	1							Plug		
14	VOE422369	7							Plug		
15		REQ					NS		Pipe		
16	VOE467367	5							Plug		
17	VOE1556907	6							Gasket		(VOE469328)
18	VOE191171	2							Pin		(VOE7191171)
19	VOE14025455	12							Cylinder Pin		(VOE950543)
20	VOE13955083	2							Cap plug		(VOE955083)
21	VOE955082	1							Cap plug		

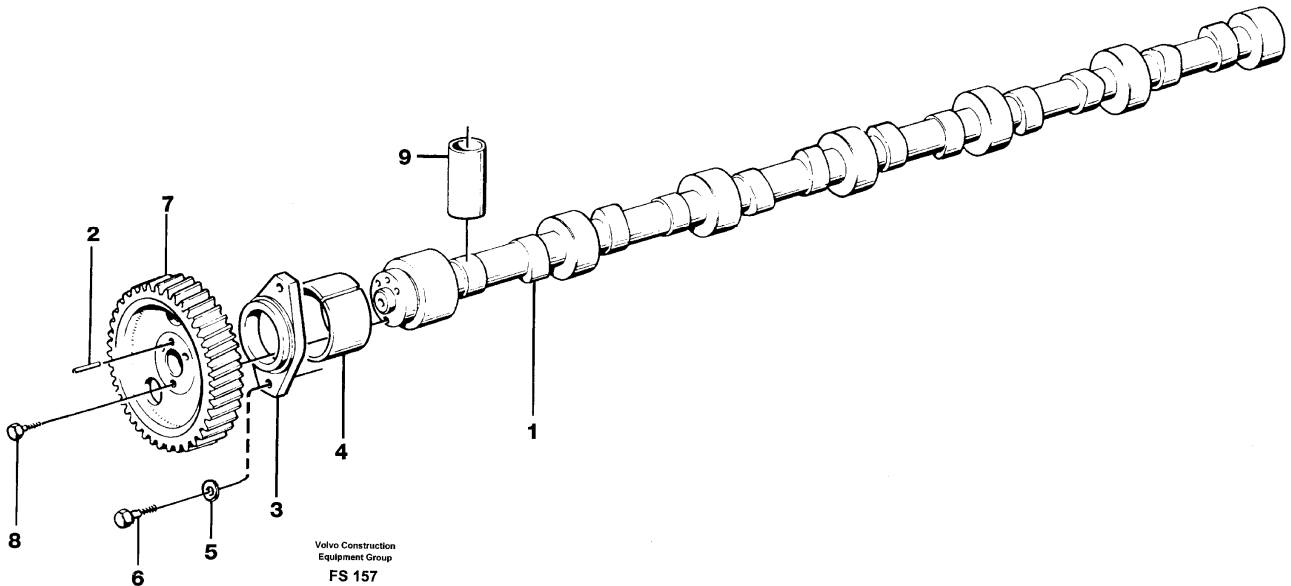
Date: 2014/1/18	Image id: FS156	Catalogue: 99507	Model: EC420
Brand: Åkerman	Serial: 1357-1550	Group/Section: 3/4150	Title: Cylinder head



Pos	Part	Q1	Q2	Q3	Q4	Q5	PS	Kit	Description	Option(s)	Remark
1	VOE8194450	6							Cylinder head		
2	VOE467474	6							•Valve seat		STD D
	VOE467590	6							•Valve seat		0.20 mm ÖD
3	VOE1545886	6							•Valve seat		
	VOE1545885	6							•Valve seat		(VOE11987040)
4	VOE422320	6							•Valve guide		
5	VOE1545135	6							•Guide		
6	VOE479163	6							•Sleeve		
7	VOE466405	6							•Sealing ring		
8	VOE466420	6							•Ring		
9	VOE467365	12							•Plug		
10	VOE469327	12							•Gasket		(VOE468461)
11	VOE14025455	12							•Cylinder Pin		(VOE950543)

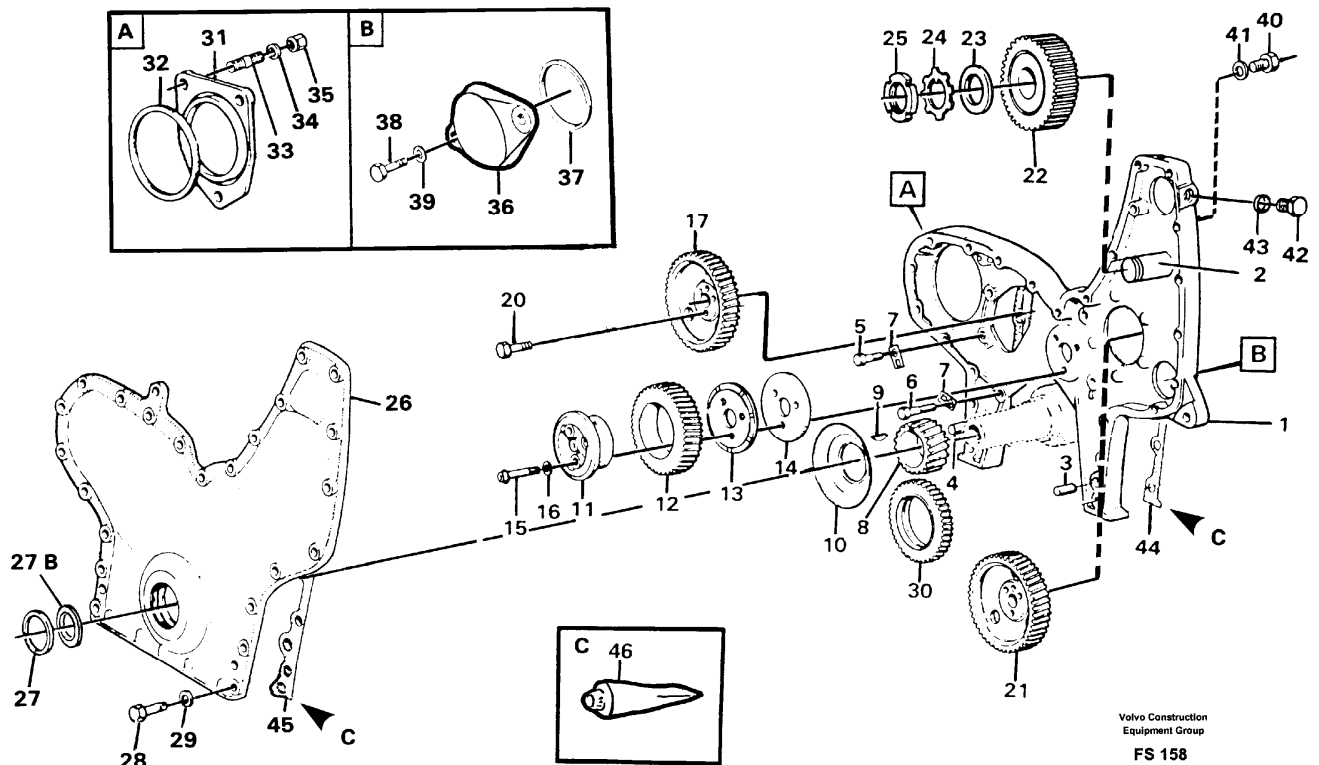
12	VOE479204	6							•Inlet valve		
13	VOE467855	6							•Exhaust valve		
14	VOE467334	12							•Valve spring		
15	VOE467335	12							•Valve spring		
16	VOE478074	12							•Valve cap		
17	VOE468305	24							•Valve Collet		
18	VOE467506	12							•Washer		
19	VOE422018	6							Bearing Bracket		
20	VOE422428	12							Screw		
21	VOE422019	6							Rocker arm shaft		
22	VOE946778	12							•Cap plug		
23	VOE950499	6							•Pin		
24	VOE422063	12							Rocker arm		
25	VOE422066	12							•Bushing		
26	VOE422993	12							•Bolt		
27	VOE940175	12							•Nut		
28	VOE941488	12							Washer		
29	VOE914459	12							Retaining ring		
30	VOE270789	6							Gasket kit		
		6							•Gasket		
	VOE422415	12							•Sealing ring		D=18mm
	VOE422414	12							•Sealing ring		D=32mm
	VOE422413	6							•Sealing ring		D=11mm
31	VOE422086	24							Screw		
32	VOE469431	6							Cover		
33	VOE424693	6							Gasket		
34	VOE13940159	12							Screw		
35	VOE13955894	12							Washer		(VOE955894)
36	VOE469432	5							Cover		
37	VOE469457	1							Cover		
38	VOE424694	6							Gasket		
39	VOE955530	24							Hexagon screw		
40	VOE13941907	24							Washer		
41	VOE421753	1							Filler cap		
42	VOE955126	3							•Cross recessed screw		
43	VOE1275379	1							Gasket		(VOE940096)
44	VOE479260	6							Gasket		
45	VOE941876	1							Plug		
46	VOE7018666	1							Gasket		
47	VOE467820	12							Push rod		(VOE467820)

Date: 2014/1/18	Image id: FS157	Catalogue: 99507	Model: EC420
Brand: Åkerman	Serial: 1357-1550	Group/Section: 3/4200	Title: Camshaft



Pos	Part	Q1	Q2	Q3	Q4	Q5	PS	Kit	Description	Option(s)	Remark
1	VOE479450	1					SS		Camshaft		
2	VOE950588	1							•Pin		
3	VOE465789	1							Flange		(VOE469324)
4		7							Bearing bushing		See ref 3/4100
5	VOE13942336	2							Spring washer		
6	VOE13940115	2							Screw		
7		1							Gear		See ref 3/4250
8	VOE471558	3							Screw		L=50
9	VOE479863	12							Tappet		

Date: 2014/1/18	Image id: FS158	Catalogue: 99507	Model: EC420
Brand: Åkerman	Serial: 1357-1550	Group/Section: 3/4250	Title: Timing gear casing

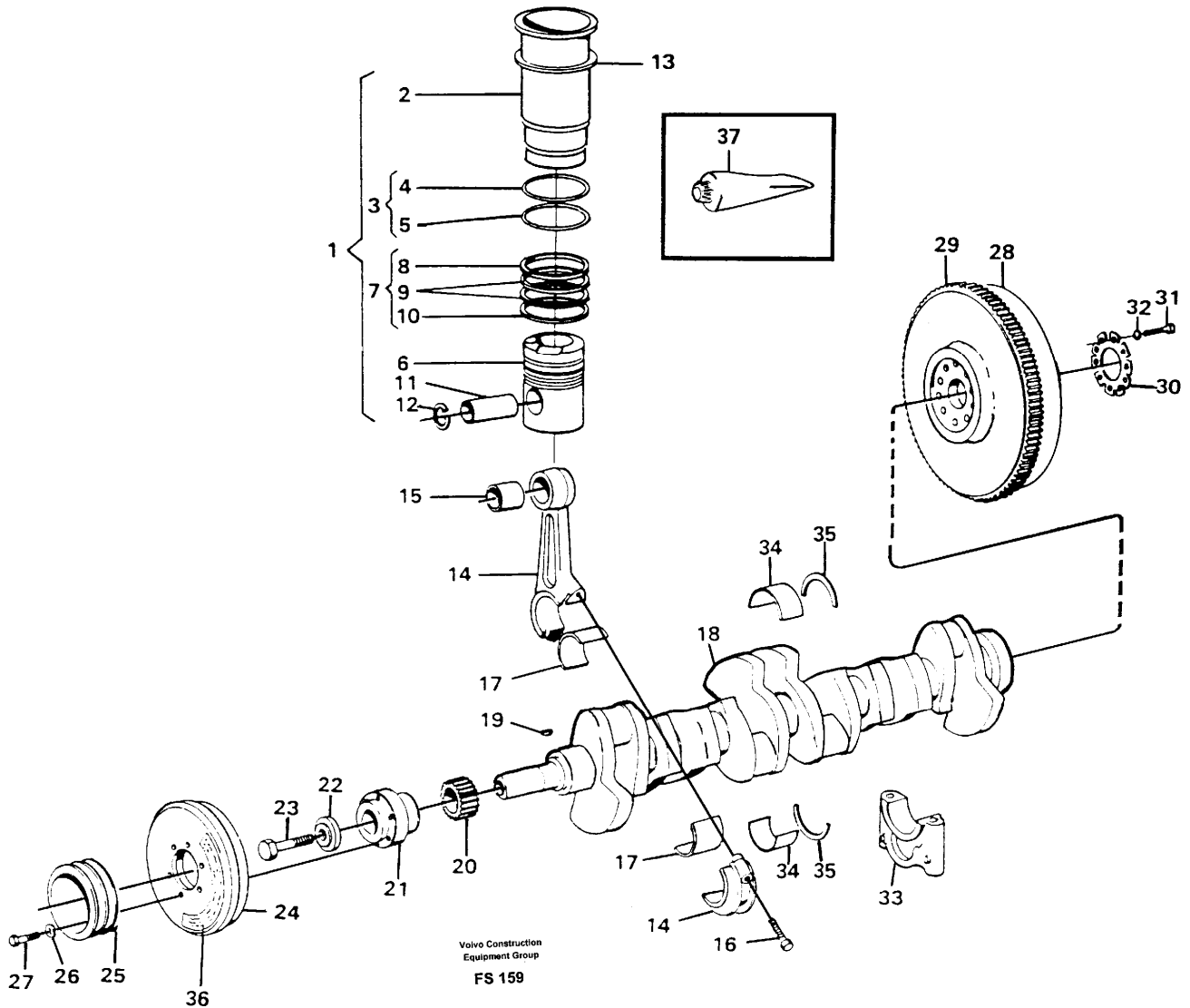


Volvo Construction
Equipment Group
FS 158

Pos	Part	Q1	Q2	Q3	Q4	Q5	PS	Kit	Description	Option(s)	Remark
1	VOE422622	1					OP		Timing gear cover		(VOE422623)
2	VOE470219	1					SS		Pin		Utgått/Deleted
3	VOE13941510	1							Pin		(VOE941510)
4	VOE13941511	1							Pin		(VOE941511)
5	VOE102045	4							Hexagon screw		L=29
6	VOE955537	1							Hexagon screw		L=51
7	VOE13941572	5							Lock washer		(VOE942336)
	VOE13942336								Spring washer		
8		1							Crankshaft gear		See ref 3/4300
9		1							Key		See ref 3/4300
10	VOE423177	1							Oil deflector		
11	VOE422766	1					SS		Pin		
12	VOE467461	1							Idler gear		
13	VOE467528	1							Bearing shield		
14	VOE478951	1							Thrust washer		(VOE467529)
15	VOE468738	3							Screw		L=81

16	VOE942180	3							Disc spring		
17	VOE478297	1							Gear		
20	VOE471555	3							Screw		
	VOE13955675	3							Screw		L = 25 mm
	VOE940128	3							Hexagon screw		L = 51 mm
21		1							Drive gear,inject.pmp		See ref 3/4350
22	VOE470231	1							Gear		
23	VOE470427	1							Wear ring		
24	VOE907024	1							Lock washer		
25	VOE906634	1							Round nut		
26	VOE864622	1							Cap		(VOE848296)
27	VOE424983	1							•Sealing ring		(VOE469507)
27B	VOE941666	1							•Sealing ring		
28	VOE955541	8							Hexagon screw		L = 76 mm
	VOE13940162	10							Screw		L = 38 mm
29	VOE13942336	21							Spring washer		(VOE942336)
30	VOE470231	1							Gear		
31	VOE420178	1							Cover		
32	VOE13975610	1							O-ring		(975610, 413619)
33	VOE953346	3							Stud		
34	VOE941911	3							Spring washer		
35	VOE13955828	2							Nut		(VOE955828)
36	VOE864622	1							Cap		
37	VOE468094	1							Sealing ring		
38	VOE955535	2							Hexagon screw		
39	VOE13942336	2							Spring washer		(VOE942336)
40	VOE7192114	1							Plug		
41	VOE13947627	1							Plane gasket		(VOE947627)
42	VOE943681	1					OP		Plug		
	VOE13960633								Plug		alt
43	VOE925059	1							O-ring		
	VOE13947625								Plane gasket		alt
44		1					NS		Gasket		
45		1					NS		Gasket		
46	VOE1161277	REQ							Sealant		10G

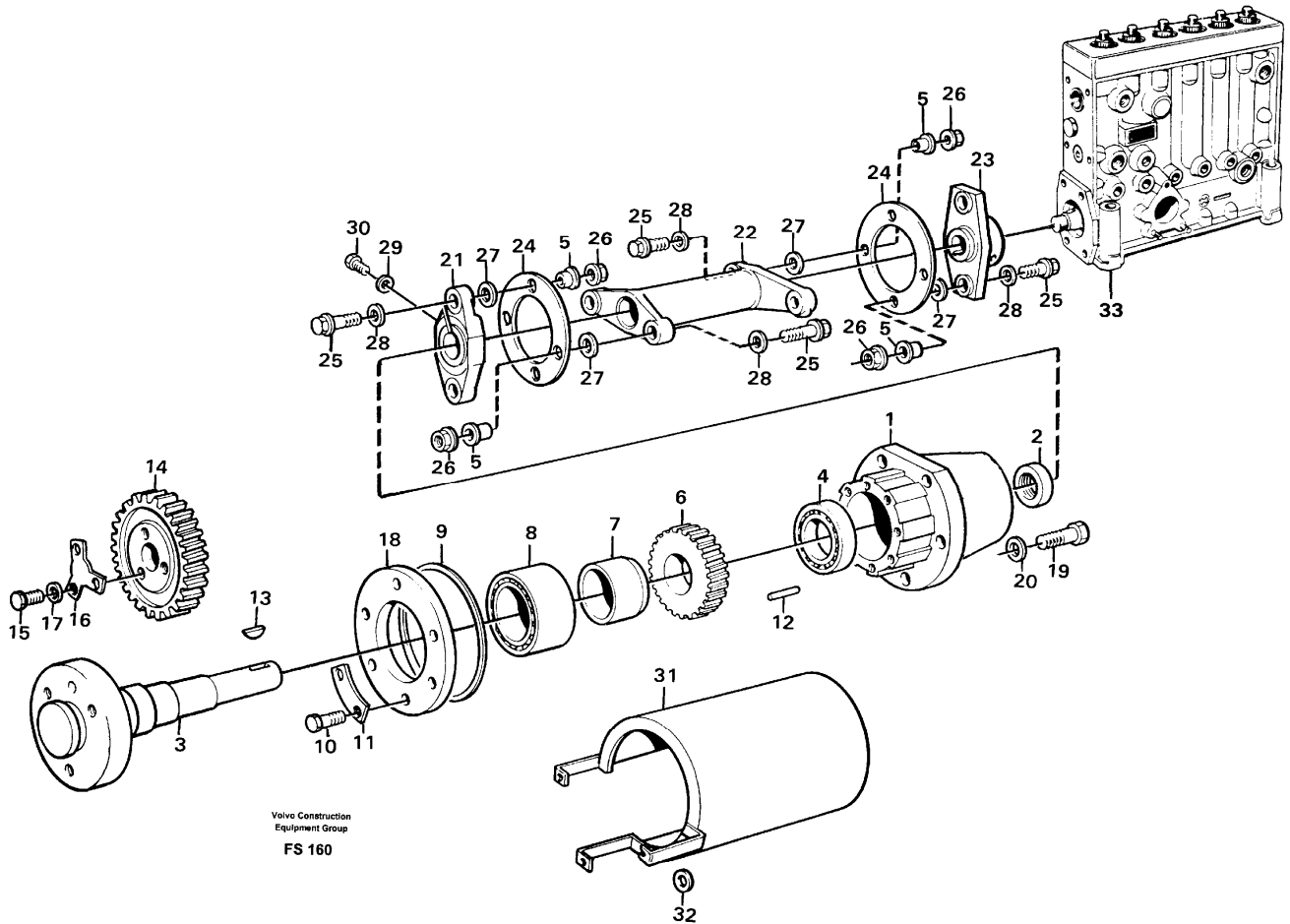
Date: 2014/1/18	Image id: FS159	Catalogue: 99507	Model: EC420
Brand: Åkerman	Serial: 1357-1550	Group/Section: 3/4300	Title: Crankshaft and related parts



Pos	Part	Q1	Q2	Q3	Q4	Q5	PS	Kit	Description	Option(s)	Remark
1	VOE275627	6							Cylinder liner kit		
2		6							•Cylinder liner		
3	VOE271157	6							•Sealing kit		
4		6					NS		••Sealing strip		FODER/LINER
5		6					NS		••Sealing strip		NEDRE/BOTTOM
6		6					NS		•Piston		
7	VOE275084	6							•Piston ring kit		
8	VOE422794	6							••Compression ring		
9	VOE422795	6							••Compression ring		

10		6					NS		••Piston ring		
11	VOE8194539	6							•Gudgeon pin		(VOE479873)
12	VOE417466	12							•Lock ring		
13	VOE422619	REQ							Shim		THICK=0.2
	VOE422620	REQ							Shim		THICK=0.3
	VOE422621	REQ							Shim		THICK=0.5
14	VOE1545299	6							Connecting rod		
15	VOE1545302	6							•Bushing		
16	VOE1545479	12							•Screw		
17	VOE270124	6							Big End Brg Kit		See ref 3/3950
	VOE270125	6							Big End Brg Kit		0.25 UD
	VOE270126	6							Big End Brg Kit		0.50 UD
	VOE270127	6							Big End Brg Kit		0.75 UD
	VOE270128	6							Big End Brg Kit		1.00 UD
18	VOE8194490	1					SS		Crankshaft		(VOE1545657)
19	VOE422253	1							•Key		(VOE7422253)
20	VOE423080	1							Gear		
21	VOE470595	1							Hub		
22	VOE422124	1							Washer		
23	VOE941494	1							Screw		
24	VOE846645	1					SS		Vibration damper		
25	VOE843600	1							Strap		
26	VOE13941909	12							Washer		
27	VOE955550	12							Hexagon screw		
28	VOE864402	1							Flywheel		
29	VOE420794	1							Gear ring		
30	VOE4776071	1							Lock washer		
31	VOE941570	10							Screw		
32	VOE467773	10							Washer		
33		7							Cap		See ref 3/4100
34	VOE270438	7							Main bearing kit		STD D
	VOE270439	7							Main bearing kit		0.010 UD
	VOE270440	7							Main bearing kit		0.020 UD
	VOE270441	7							Main bearing kit		0.030 UD
	VOE270442	7							Main bearing kit		0.040 UD
	VOE270443	7							Main bearing kit		0.050 UD
35	VOE276758	1							Thrust washer kit		See ref 3/3950
	VOE276759	1							Thrust washer kit		(VOE7276759)0.1 ÖD
	VOE276760	1							Thrust washer kit		(VOE7276760)0.2 ÖD
	VOE276761	1							Thrust washer kit		(VOE7276761)0.3 ÖD
36	VOE467834	1							Sign		
37	VOE1161277	1							Sealant		10 Gram

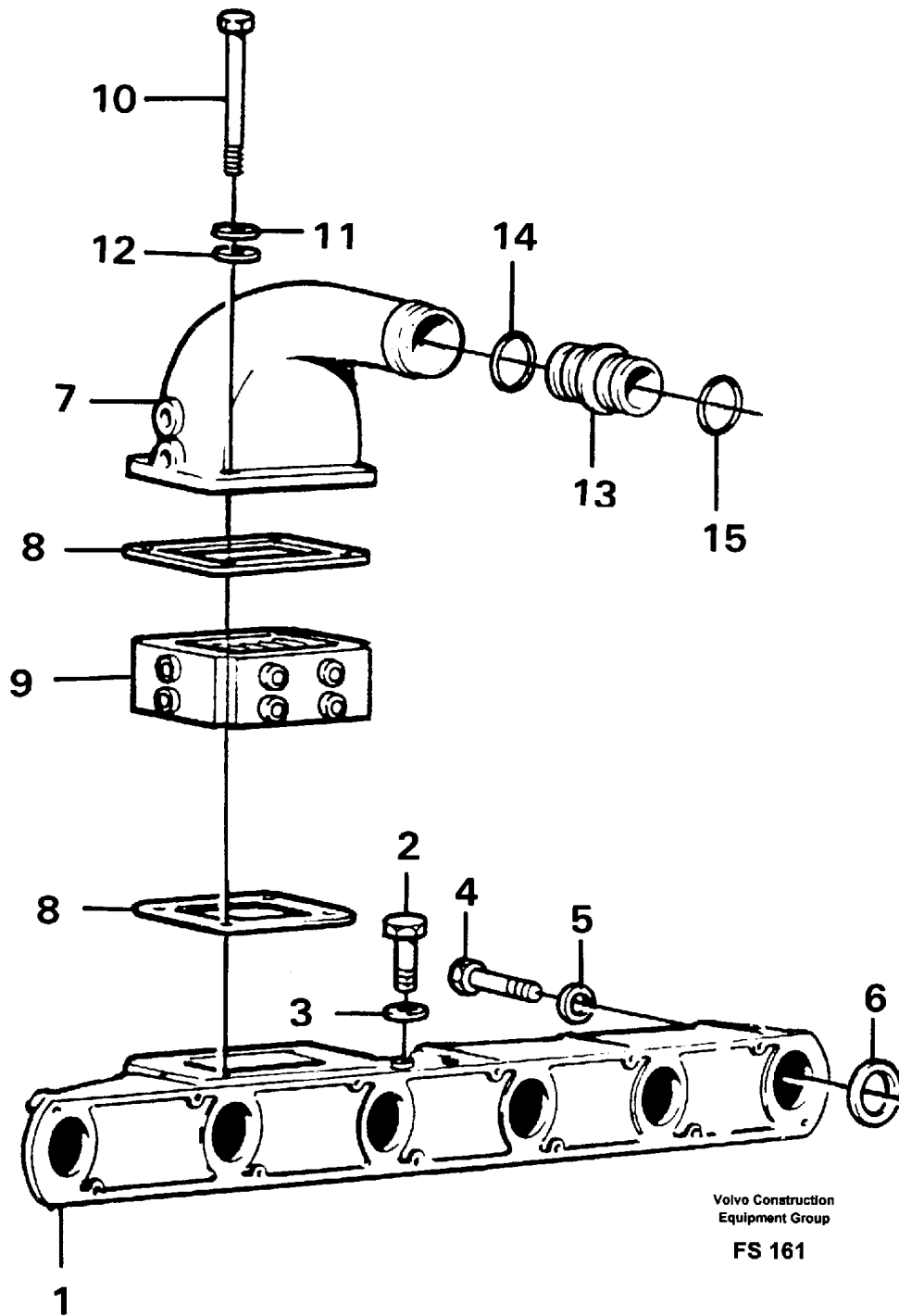
Date: 2014/1/18	Image id: FS160	Catalogue: 99507	Model: EC420
Brand: Åkerman	Serial: 1357-1550	Group/Section: 3/4350	Title: Injection pump with drive



Pos	Part	Q1	Q2	Q3	Q4	Q5	PS	Kit	Description	Option(s)	Remark
1	VOE402903	1							Housing		
2	VOE424580	1							Sealing		
3	VOE471557	1							Shaft		
4	VOE11013	1							Ball bearing		
5	VOE478896	8							Sleeve		
6	VOE469364	1							Drive Gear		
7	VOE469363	1							Stop ring		
8	VOE11000284	1							Ball bearing		
9	VOE423123	1							Sealing ring		
10	VOE955274	6					SS		Hexagon screw		
11	VOE955892	3							Washer		
12	VOE950586	1							Pin		
13	VOE422329	1							Key		

14	VOE423079	1							Gear		
	VOE478297	1							Gear		
15	VOE102056	3							Screw		
16	VOE13942336	1							Spring washer		
17	VOE13942336	3							Spring washer		
18	VOE423074	1							Washer		
19	VOE13940159	5							Screw		
20	VOE13941907	5							Washer		
21	VOE471383	1							Companion flange		
22	VOE471367	1							Intmd Section		
23	VOE471312	1							Companion flange		
24	VOE479459	6							Companion disc		
25	VOE946470	8							Flange screw		
26	VOE13945408	8							Nut		
27	VOE955896	8							Washer		
28	VOE976944	8							Washer		(VOE13960141)
29	VOE13970878	1							Hexagon screw		
30	VOE976945	1							Washer		(VOE13960148)
31	VOE865261	1							Protection		
32	VOE13955894	1							Washer		(VOE955894)
33		1							Injection pump		See ref 3/4725

Date: 2014/1/18	Image id: FS161	Catalogue: 99507	Model: EC420
Brand: Åkerman	Serial: 1357-1550	Group/Section: 3/4375	Title: Inlet manifold

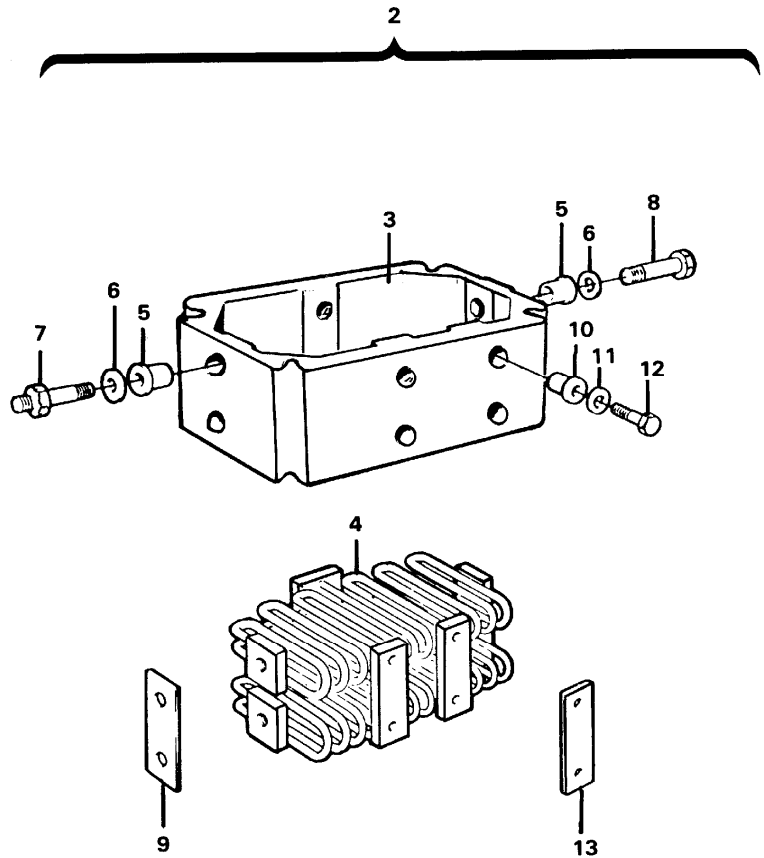
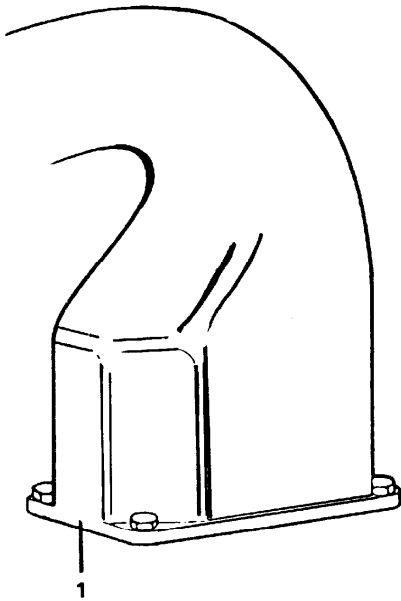


Volvo Construction
Equipment Group
FS 161

Pos	Part	Q1	Q2	Q3	Q4	Q5	PS	Kit	Description	Option(s)	Remark
1	VOE1545048	1					SS		Inlet Pipe		

	VOE479979	1							•Plug		
2	VOE940113	1							Hexagon screw		
3	VOE947620	1							Gasket		
4	VOE955526	6							Hexagon screw		L = 51 mm
	VOE955533	1							Hexagon screw		L = 102 mm
	VOE13949886	2							Bolt		L = 108 mm
	VOE192546	4							Screw		
5	VOE13941907	12							Washer		
6	VOE469829	6							Sealing ring		
7	VOE469525	1							Pipe		
8	VOE424618	2							Gasket		
9		1							Starter element		See ref 3/4385
10	VOE955532	4							Hexagon screw		
11	VOE13941907	4							Washer		
12	VOE13955894	4							Washer		(VOE955894)
13	VOE469510	1							Tube		
14	VOE469508	1							Sealing ring		
15	VOE469509	1							Sealing ring		

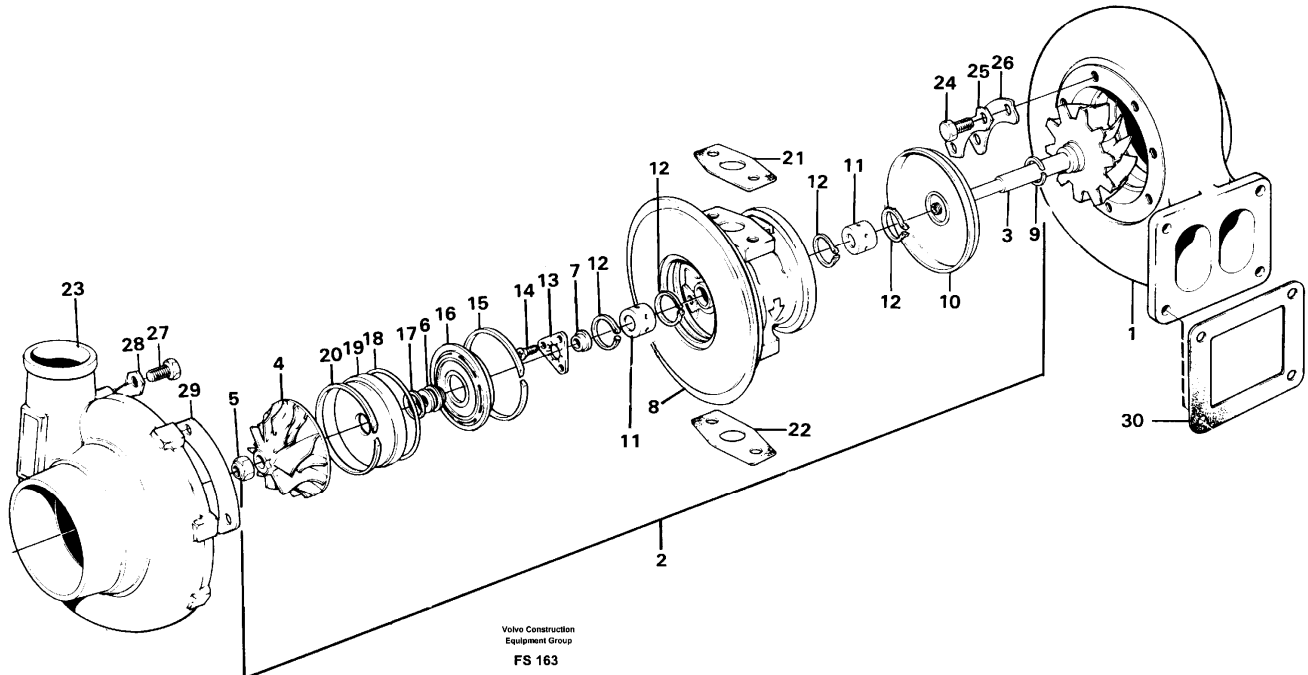
Date: 2014/1/18	Image id: FS162	Catalogue: 99507	Model: EC420
Brand: Åkerman	Serial: 1357-1550	Group/Section: 3/4385	Title: Pre-heater



Volvo Construction
Equipment Group
FS 162

Pos	Part	Q1	Q2	Q3	Q4	Q5	PS	Kit	Description	Option(s)	Remark
1	VOE469525	1							Pipe		
2	VOE471867	1							Starter element		24V See ref 3/4375
3	VOE470199	1							•Intermediate section		
3A	VOE477121	1							•Repair kit		
4	VOE471862	1							••Heater		
5	VOE468511	4							••Bushing		
6	VOE13949041	4							••Washer		
7	VOE1501520	2							••Screw		
8	VOE949894	2							••Flange screw		
9	VOE477110	2							••Plate		
10	VOE468468	6							••Sleeve		

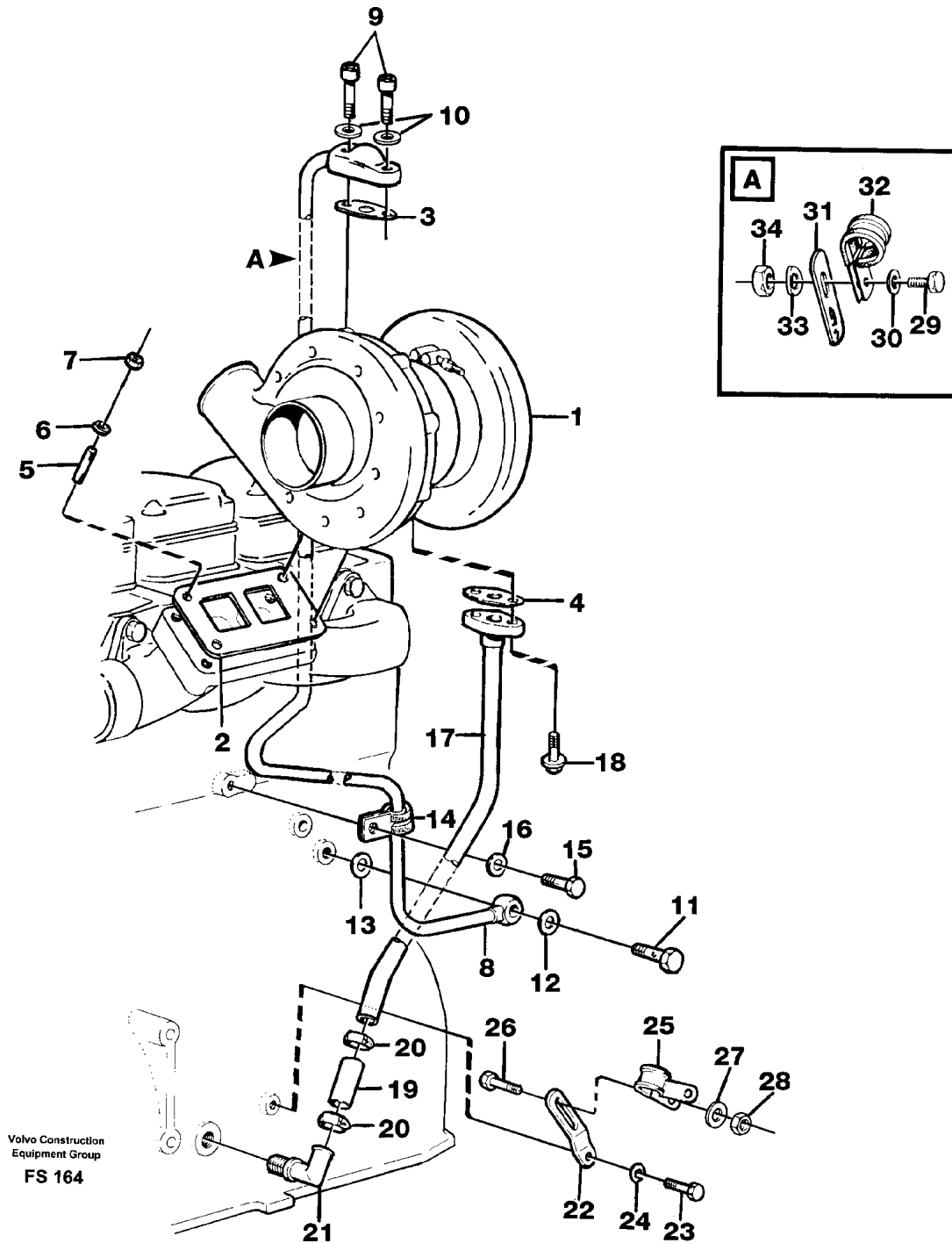
Date: 2014/1/18	Image id: FS163	Catalogue: 99507	Model: EC420
Brand: Åkerman	Serial: 1357-1550	Group/Section: 3/4400	Title: Turbocharger with fitting parts



Pos	Part	Q1	Q2	Q3	Q4	Q5	PS	Kit	Description	Option(s)	Remark
	VOE1545097	1							Turbocharger		
1		1					NS		•Turbine housing		
2	VOE1696394	1							•Rotor		
		1					NS		••Rotor		
3	VOE1697461	1					OP		•••Turbine shaft		(VOE1696391)
4	VOE1695963	1							•••Turbine rotor		
5	VOE1695964	1					OP	K	•••Nut		
6	VOE1695965	1							•••Sealing		
7	VOE1695966	1					OP		•••Thrust washer		
8		1					NS		••Bearing housing		
9	VOE466685	1						K	••Piston ring		
10	VOE1695977	1					OP		••Heat shield		
11		2					NS	K	••Bearing		
12	VOE411790	4							••Lock ring		
13		1					NS	K	••Thrust washer		
14	VOE1695976	3					OP	K	••Screw		
15	VOE1695973	1							••Retaining ring		
16	VOE11992056	1					OP		••Compressor wheel		
17	VOE1695971	1					OP	K	••Piston ring		

18	VOE1695974	1					OP	K	••O-ring		
19		1					NS		••End plate		
20	VOE1695975	1					OP		••Lock ring		
21	VOE420641	1							••Gasket		(VOE420475)
22	VOE420643	1						K	••Gasket		(VOE1545205)
23		1					NS		•Compressor housing		
24	VOE1695980	6					OP	K	•Screw		
25	VOE411776	3					OP		•Plate		
26	VOE1695981	3						K	•Plate		
27	VOE1695982	8					OP	K	•Screw		
28	VOE1696392	4					OP		•Lock washer		
29	VOE1695984	4							•Clamping plate		
30	VOE8194365	1						K	•Gasket		(VOE1545141)
	VOE275948	1							Repair kit		(270964, 11000287)

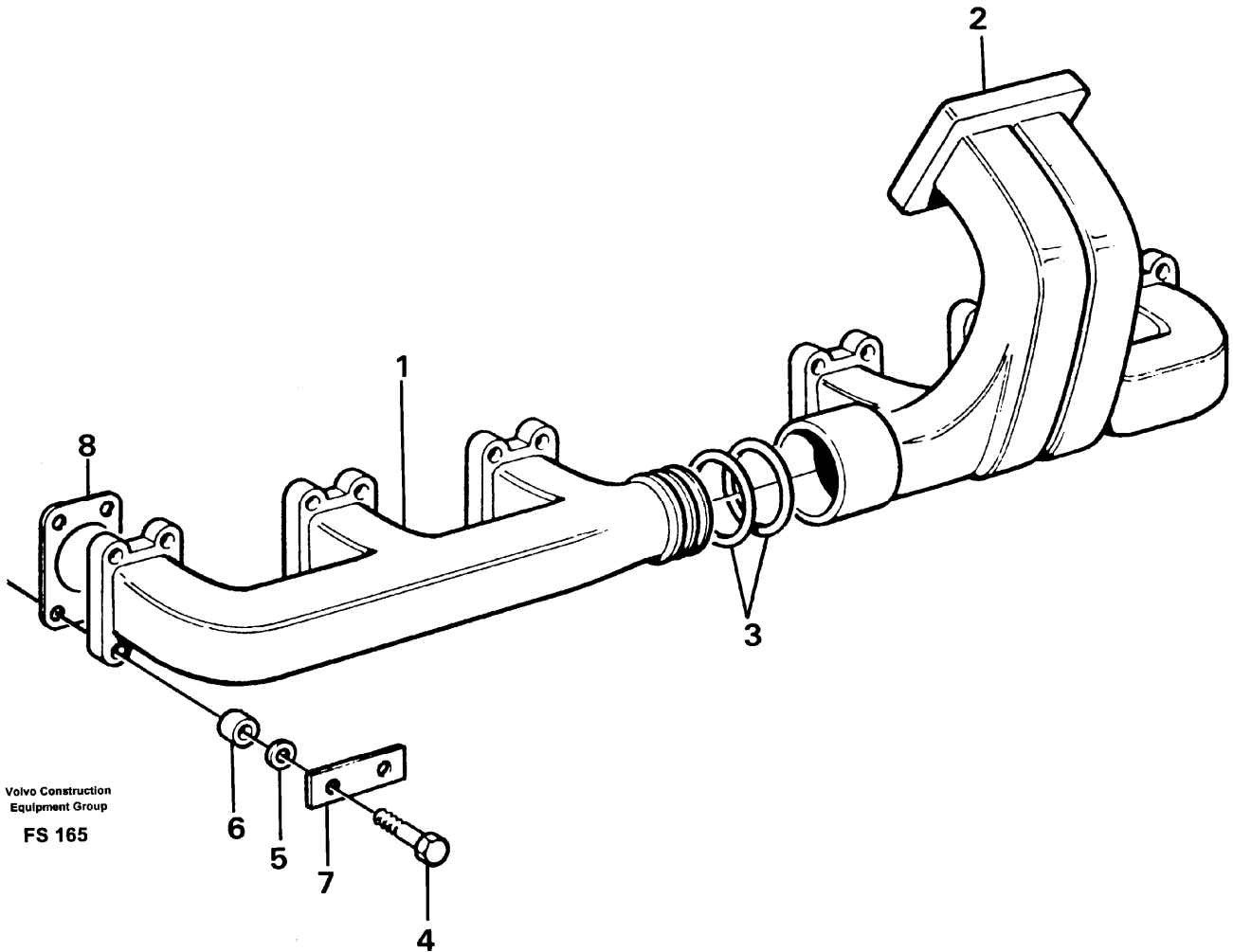
Date: 2014/1/18	Image id: FS164	Catalogue: 99507	Model: EC420
Brand: Åkerman	Serial: 1357-1550	Group/Section: 3/4415	Title: Turbocharger, fitting parts



Pos	Part	Q1	Q2	Q3	Q4	Q5	PS	Kit	Description	Option(s)	Remark
1		1							Turbocharger		See ref 3/4400

2		1							Gasket		See ref 3/4400
3	VOE420641	1							Gasket		
4	VOE470993	1							Gasket		
5	VOE468892	4							Stud		
6	VOE13940097	4							Washer		(VOE940097)
7	VOE478346	4							Nut		
8	VOE849612	1					OP		Oil feed pipe		
9	VOE955297	1							Hexagon screw		L = 25 mm
	VOE940142	1							Hexagon screw		L = 30 mm
10	VOE13941907	2							Washer		(VOE941907)
11	VOE942007	1							Hollow screw		
12	VOE13947624	1							Plane gasket		(VOE7011998)
13	VOE942703	1							Gasket		
14	VOE13946834	1							Clamp		(VOE946834)
15	VOE13955523	1							Screw		L = 16 mm
	VOE942402	1							Flange screw		
16	VOE13941907	1							Washer		
17	VOE11031167	1					OP		Oil return pipe		
18	VOE13965215	2							Flange screw		(VOE945444)
19	VOE466328	1							Hose		
20	VOE13943474	2							Hose clamp		(VOE943474)
21	VOE479959	1							Nipple		(VOE468629)
22	VOE414692	1							Bracket		
23	VOE955534	1							Hexagon screw		
24	VOE13942336	1							Spring washer		(VOE942336)
25	VOE952632	1							Clamp		
26	VOE950046	1							Cross recessed screw		
27	VOE13941906	1							Washer		
28	VOE955825	1							Hexagon nut		
29	VOE950046	1							Cross recessed screw		
30	VOE13941906	1							Washer		(VOE941906)
31	VOE13965535	1							Bracket		(VOE965535)
32	VOE952626	1							Clamp		
33	VOE13941906	1							Washer		
34	VOE955825	1							Hexagon nut		

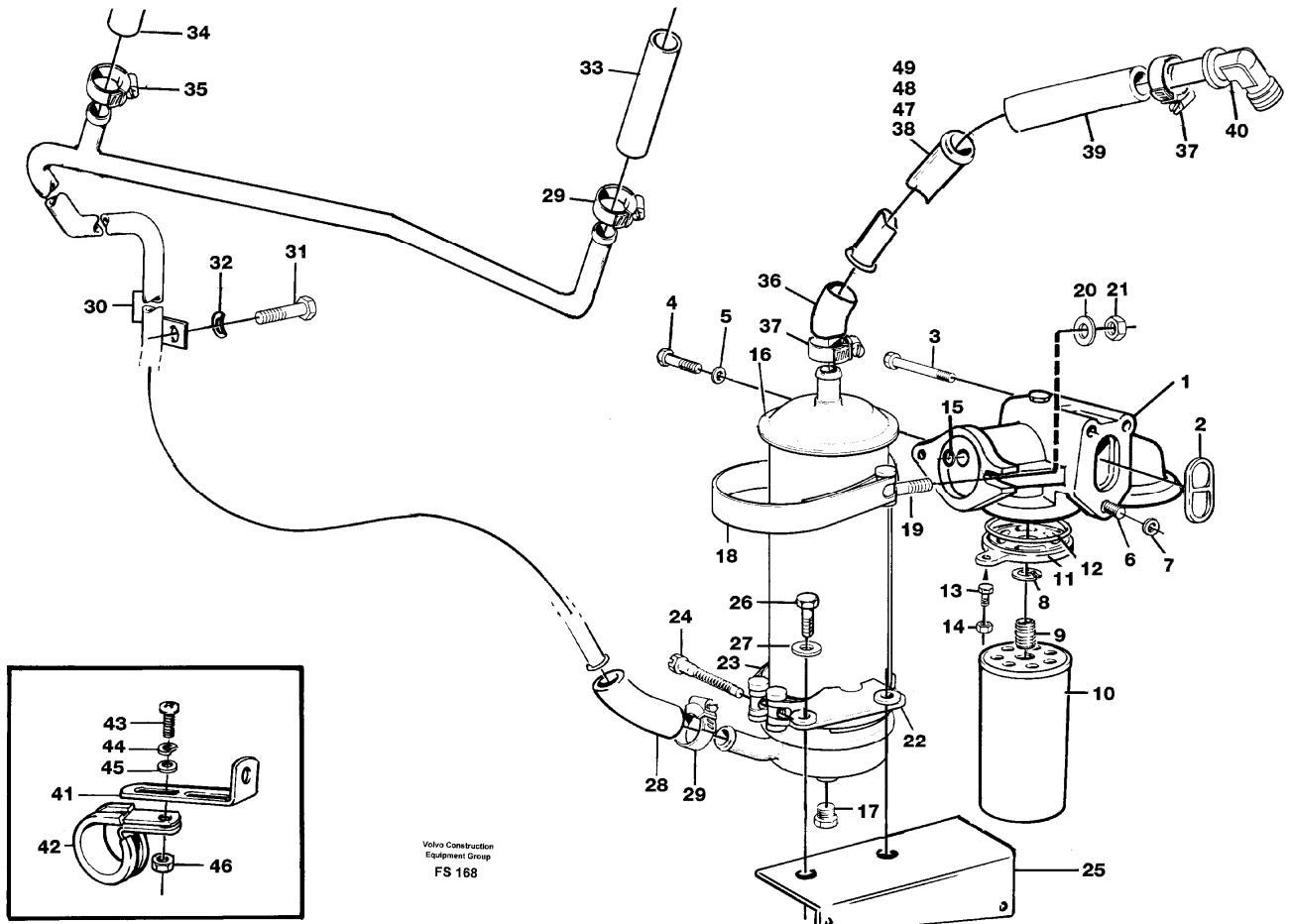
Date: 2014/1/18	Image id: FS165	Catalogue: 99507	Model: EC420
Brand: Åkerman	Serial: 1357-1550	Group/Section: 3/4425	Title: Exhaust manifold and installation components



Pos	Part	Q1	Q2	Q3	Q4	Q5	PS	Kit	Description	Option(s)	Remark
1	VOE1545028	1							Exhaust pipe		
2	VOE469527	1					SS		Exhaust manifold		
3	VOE1545109	2							Sealing ring		
	VOE471219	2							Sealing ring		
4	VOE945698	24							Screw		
5	VOE941744	24							Washer		
6	VOE422217	22							Spacer sleeve		
7	VOE13966717	12							Tab washer		
8	VOE479107	6							Gasket		(VOE479107)

2	VOE470234	2							•Bushing		
3	VOE401146	1							•Guide sleeve		
4	VOE422042	1							•Bracket		
5	VOE422041	1							••Pivot Pin		
6	VOE191171	1							•Pin		
7	VOE425027	1							•Drive Gear		
8	VOE424133	1							•Thrust washer		
9	VOE910115	1							•Woodruff key		
10	VOE955528	2							•Hexagon screw		
11	VOE13941907	3							•Washer		
12	VOE422047	1							•Idler gear		
13		1					NS		••Bushing		
14	VOE422313	1							•Bearing sleeve		
15	VOE13941907	1							•Washer		
15A	VOE13942336	3							•Spring washer		
16	VOE940186	3							•Hexagon screw		
17	VOE276155	1							Repair kit		
18	VOE470234	2							•Bushing		
19	VOE422041	1							•Pivot Pin		
20	VOE425183	1							•Gear		
21		1					NS		Shaft / Gear		
22	VOE425183	1							••Gear		
23	VOE470234	1							•Bushing		
24	VOE424133	1							•Thrust washer		

Date: 2014/1/18	Image id: FS168	Catalogue: 99507	Model: EC420
Brand: Åkerman	Serial: 1357-1550	Group/Section: 3/4550	Title: Oil cooler



Pos	Part	Q1	Q2	Q3	Q4	Q5	PS	Kit	Description	Option(s)	Remark
1		1							Oil filter housing		See ref 3/4600
2	VOE469487	1							Gasket		
3	VOE955544	2							Hexagon screw		L=102
4	VOE940156	2							Hexagon screw		L=89
5	VOE13940097	4							Washer		(VOE940097)
6	VOE13940115	2							Screw		L=25
7	VOE13942336	4							Spring washer		(VOE940097)
8	VOE914461	2							Retaining ring		
9	VOE466623	2							Nipple		L = 36 mm
	VOE4771600	2							Nipple		L = 47 mm
10	VOE466634	2							Oil filter		
11	VOE4771601	2							Plate		
12	VOE968759	2							O-ring		

13	VOE946471	2							Flange screw		
14	VOE13961293	2							Nut		(VOE961293)
15	VOE469483	2							Sealing ring		
16	VOE468035	1							Oil cooler		
	VOE944551	1							•Rubber ring		
17	VOE180759	1							Plug		
18	VOE1545255	1							Tensioning band		
19	VOE924072	2							Stud		
20	VOE976944	2							Washer		(VOE960141)
21	VOE955782	2							Hexagon nut		
22	VOE468653	1							Anchorage		
23	VOE1545256	1							Tensioning band		
24	VOE1545257	1							Screw		
25	VOE13965556	1							Bracket		(VOE11031041)
26	VOE942402	4							Flange screw		(VOE955523)
27	VOE13955894	4							Washer		(VOE955894)
28	VOE351574	1							Hose		(VOE467538)
29	VOE13943474	4							Hose clamp		(VOE943474)
30	VOE848698	1							Coolant pipe		
31	VOE13955523	1							Screw		
	VOE13942624	1							Flange screw		(EH942624)L PROD
32	VOE13941907	1							Washer		
33	VOE351574	1							Hose		
34	VOE842235	1					OP		Cap		
35	VOE945754	1							Hose clamp		
36	VOE351574	1							Hose		(VOE467538)
37	VOE13943474	4							Hose clamp		(VOE943474)
38	VOE467922	1							Tube		
39	VOE943369	REQ							Hose		L=75
40	VOE467716	1							Nipple		
41	VOE13965556	2							Bracket		(VOE965558)
42	VOE952632	2							Clamp		
43	VOE950046	2							Cross recessed screw		
44	VOE13941906	2							Washer		(VOE941906)
45	VOE955893	2							Washer		
46	VOE955825	1							Hexagon nut		ID= 1/4"
	VOE955826	1							Hexagon nut		ID= 5/16"
47	VOE13940133	1							Screw		(VOE940133)
48	VOE13955894	1							Washer		(VOE955894)
49	VOE955921	1							Spring washer		(VOE941907)

Thank you so much for reading.
Please click the “Buy Now!”
button below to download the
complete manual.



After you pay.

You can download the most
perfect and complete manual in
the world immediately.

Our support email:

ebooklibonline@outlook.com