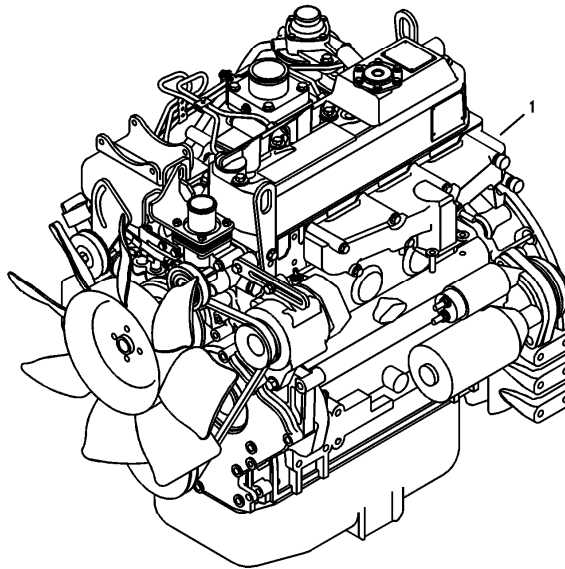


| | | | |
|----------------------------|-------------------------------|----------------------------------|-------------------------|
| Date: 2013/12/15 | Image id: 1013369 | Catalogue: 20044 | Model: ECR88 |
| Brand: Volvo | Serial: 10001-14010 | Group/Section: 210/100 | Title: Engine |



Volvo Construction
Equipment
1013369

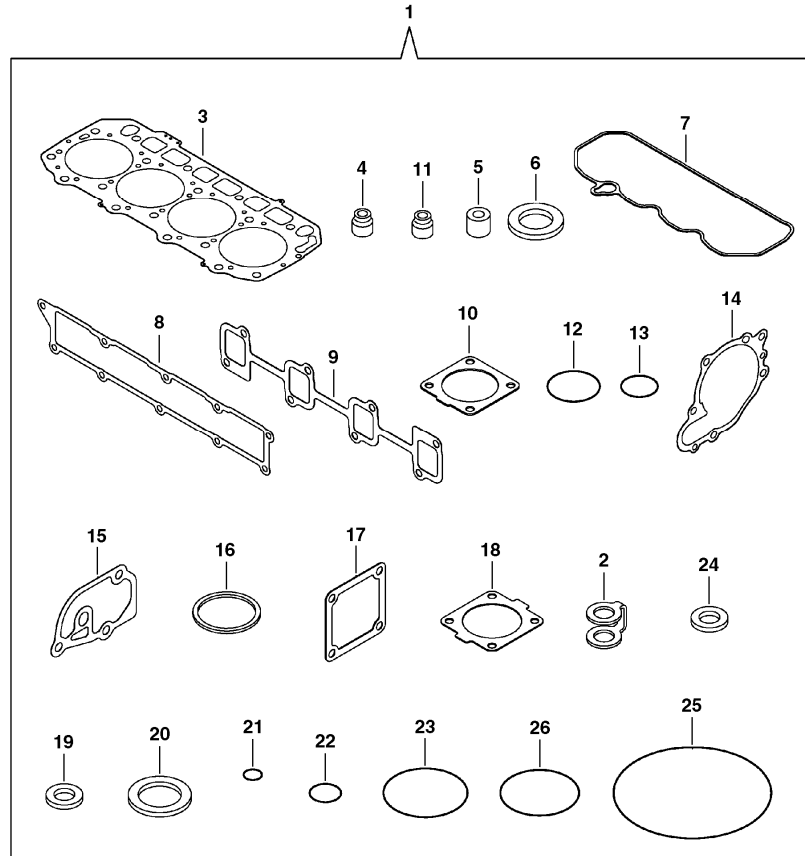
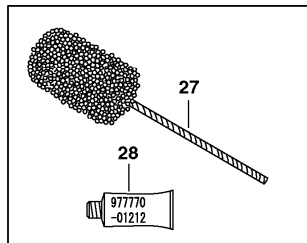
| Section option | Kit | Option description |
|----------------|-----|------------------------------------------------------|
| VOE8279041 | | Engine without Epa label INT AND KOREAN MARKET |
| VOE8279042 | | Engine with Epa label EMISSION CERTIFICATED FROM EPA |

| Q1-Q5 | Option | Option description | |
|------------|------------|------------------------------------------------------|--|
| Q1 8279041 | VOE8279041 | Engine without Epa label INT AND KOREAN MARKET | |
| Q2 8279042 | VOE8279042 | Engine with Epa label EMISSION CERTIFICATED FROM EPA | |

| Pos | Part | Q1 | Q2 | Q3 | Q4 | Q5 | PS | Kit | Description | Option(s) | Remark |
|-----|-------------|----|----|----|----|----|----|-----|-------------|-----------|----------------------------------------------------|
| 1 | VOE14530218 | 1 | | | | | SS | | Engine | | Without labels SER NO 10001-10087 |
| | VOE14540752 | 1 | | | | | | | Engine | | (VOE14533408) Without labels SER NO 10088-10749 |
| | VOE14540752 | 1 | | | | | | | Engine | | Without labels SER NO 10750-11623 |
| | VOE14575309 | 1 | | | | | | | Engine | | Without labels SER NO |

| | | | | | | | | | | |
|--|-------------|--|---|--|--|--|----|--|--------|---------------------------------------------|
| | | | | | | | | | | 11624- |
| | VOE14530219 | | 1 | | | | | | Engine | With EU and EPA label SER NO 10001-10072 |
| | VOE14533409 | | 1 | | | | SS | | Engine | With EU and EPA label SER NO 10073-10749 |
| | VOE14540753 | | 1 | | | | | | Engine | With EU and EPA label SER NO 10750-11623 |
| | VOE14575308 | | 1 | | | | | | Engine | With EU and EPA label SER NO 11624- |

| | | | |
|----------------------------|-------------------------------|----------------------------------|-----------------------------------------|
| Date: 2013/12/15 | Image id: 1013370 | Catalogue: 20044 | Model: ECR88 |
| Brand: Volvo | Serial: 10001-14010 | Group/Section: 210/200 | Title: Repair kits for engine |



Volvo Construction
Equipment
1013370

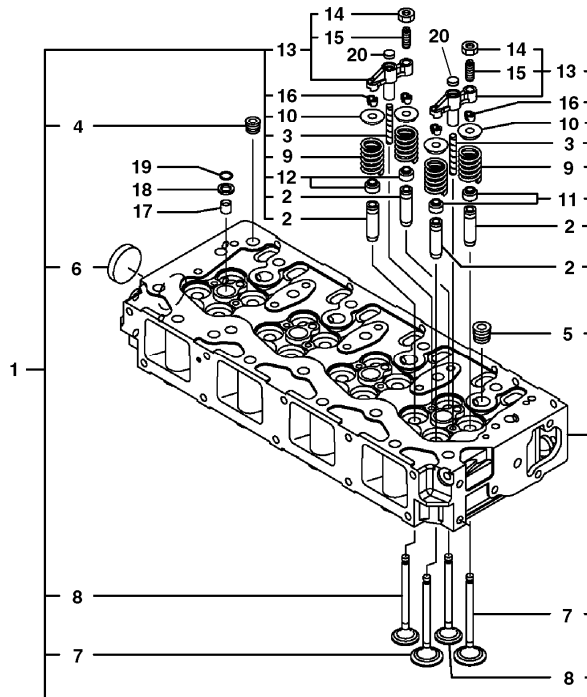
| Section option | Kit | Option description |
|----------------|-----|------------------------------------------------------|
| VOE8279041 | | Engine without Epa label INT AND KOREAN MARKET |
| VOE8279042 | | Engine with Epa label EMISSION CERTIFICATED FROM EPA |

| Q1-Q5 | Option | Option description | |
|------------|--------|--------------------|--|
| Q1 8279041 | | | |
| Q2 8279042 | | | |

| Pos | Part | Q1 | Q2 | Q3 | Q4 | Q5 | PS | Kit | Description | Option(s) | Remark |
|-----|--------------|----|----|----|----|----|----|-----|-------------|-----------|--------|
| 1 | VOE14528170 | 1 | 1 | | | | | | Gasket | | |
| 2 | VOE14521606 | 1 | 1 | | | | | | •Gasket | | |
| 3 | VOE14528161 | 1 | 1 | | | | | | •Gasket | | |
| 4 | VOE14521527 | 8 | 8 | | | | | | •Valve seal | | |
| 5 | VOE14521532 | 4 | 4 | | | | | | •Protection | | |
| 6 | SA8210-08770 | 1 | 1 | | | | SS | | •Seat | | |
| 7 | VOE14521552 | 1 | 1 | | | | | | •Gasket | | |

| | | | | | | | | | | | |
|----|--------------|----|----|--|--|--|--|--|-----------------|--|----------------|
| 8 | VOE14521554 | 1 | 1 | | | | | | •Gasket | | |
| 9 | VOE11714737 | 1 | 1 | | | | | | •Gasket | | (SA8210-04570) |
| 10 | VOE14520599 | 2 | 2 | | | | | | •Gasket | | |
| 11 | VOE14521528 | 8 | 8 | | | | | | •Valve seal | | |
| 12 | VOE11714738 | 2 | 2 | | | | | | •O-ring | | (SA8210-04770) |
| 13 | VOE11714739 | 1 | 1 | | | | | | •O-ring | | (SA8210-04780) |
| 14 | SA8210-04820 | 1 | 1 | | | | | | •Gasket | | |
| 15 | SA8210-04840 | 1 | 1 | | | | | | •Gasket | | |
| 16 | VOE11714740 | 1 | 1 | | | | | | •Gasket | | (SA8210-02790) |
| 17 | VOE11714741 | 1 | 1 | | | | | | •Gasket | | (SA8210-02840) |
| 18 | SA8210-02780 | 1 | 1 | | | | | | •Gasket | | |
| 19 | VOE11714477 | 3 | 3 | | | | | | •Gasket | | (SA8210-05580) |
| 20 | VOE11714478 | 2 | 2 | | | | | | •Gasket | | (SA8210-03370) |
| 21 | SA8210-08860 | 1 | 1 | | | | | | •O-ring | | |
| 22 | VOE11714386 | 12 | 12 | | | | | | •O-ring | | (SA8210-08870) |
| 23 | VOE11714371 | 3 | 3 | | | | | | •O-ring | | (SA8210-08880) |
| 24 | VOE11714476 | 7 | 7 | | | | | | •Sealing washer | | (SA8240-01020) |
| 25 | VOE14509382 | 1 | 1 | | | | | | •O-ring | | |
| 26 | VOE14521512 | 1 | 1 | | | | | | •Wrapping | | |
| 27 | VOE14525412 | 1 | 1 | | | | | | Brush | | |
| 28 | VOE14543857 | 1 | 1 | | | | | | Gasket | | (SA8240-02760) |

| | | | |
|----------------------------|-------------------------------|----------------------------------|--------------------------------|
| Date: 2013/12/15 | Image id: 1013371 | Catalogue: 20044 | Model: ECR88 |
| Brand: Volvo | Serial: 10001-14010 | Group/Section: 211/100 | Title: Cylinder head |



Volvo Construction
Equipment
1013371

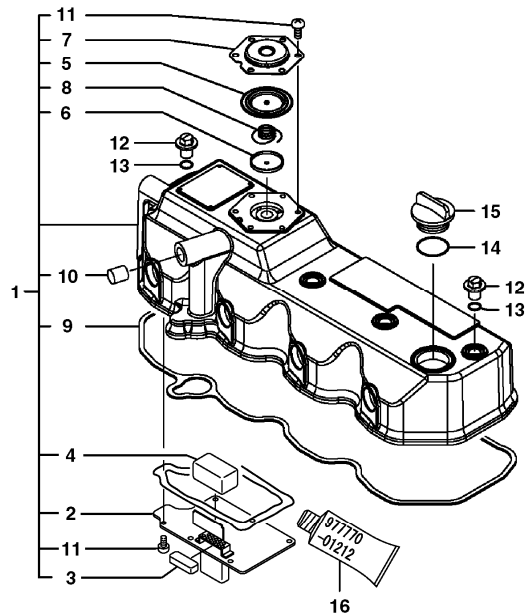
| Section option | Kit | Option description |
|----------------|-----|------------------------------------------------------|
| VOE8279041 | | Engine without Epa label INT AND KOREAN MARKET |
| VOE8279042 | | Engine with Epa label EMISSION CERTIFICATED FROM EPA |

| Q1-Q5 | Option | Option description | |
|------------|--------|--------------------|--|
| Q1 8279041 | | | |
| Q2 8279042 | | | |

| Pos | Part | Q1 | Q2 | Q3 | Q4 | Q5 | PS | Kit | Description | Option(s) | Remark |
|-----|-------------|----|----|----|----|----|----|-----|---------------|-----------|----------------|
| 1 | VOE14521519 | 1 | 1 | | | | | | Cylinder head | | |
| 2 | VOE14525388 | 16 | 16 | | | | | | •Valve guide | | |
| 3 | VOE14521521 | 8 | 8 | | | | | | •Guide | | |
| 4 | VOE14521522 | 1 | 1 | | | | | | •Plug | | |
| 5 | VOE14521504 | 4 | 4 | | | | | | •Plug | | |
| 6 | VOE11714379 | 1 | 1 | | | | | | •Plug | | (SA8210-05840) |
| 7 | VOE14521523 | 8 | 8 | | | | | | •Inlet valve | | INLET VALVE |

| | | | | | | | | | | | |
|----|-------------|----|----|--|--|--|--|--|----------------|--|----------------|
| 8 | VOE14521524 | 8 | 8 | | | | | | •Exhaust valve | | EXHAUST VALVE |
| 9 | VOE14521525 | 16 | 16 | | | | | | •Valve spring | | |
| 10 | VOE14521526 | 16 | 16 | | | | | | •Retainer | | |
| 11 | VOE14521527 | 8 | 8 | | | | | | •Valve seal | | INLET |
| 12 | VOE14521528 | 8 | 8 | | | | | | •Valve seal | | EXHAUST |
| 13 | VOE14521529 | 8 | 8 | | | | | | •Valve guide | | |
| 14 | VOE11714380 | 8 | 8 | | | | | | ••Nut | | (SA8210-03680) |
| 15 | VOE14521530 | 8 | 8 | | | | | | ••Screw | | |
| 16 | VOE14521531 | 16 | 16 | | | | | | •Valve cone | | |
| 17 | VOE14521532 | 4 | 4 | | | | | | Protection | | |
| 18 | VOE11714381 | 4 | 4 | | | | | | Seat | | |
| 19 | VOE11714386 | 4 | 4 | | | | | | O-ring | | (SA8210-08870) |
| 20 | VOE14521518 | 8 | 8 | | | | | | Seat | | |

| | | | |
|----------------------------|-------------------------------|----------------------------------|------------------------------|
| Date: 2013/12/15 | Image id: 1013372 | Catalogue: 20044 | Model: ECR88 |
| Brand: Volvo | Serial: 10001-14010 | Group/Section: 211/200 | Title: Valve cover |



Volvo Construction
Equipment
1013372

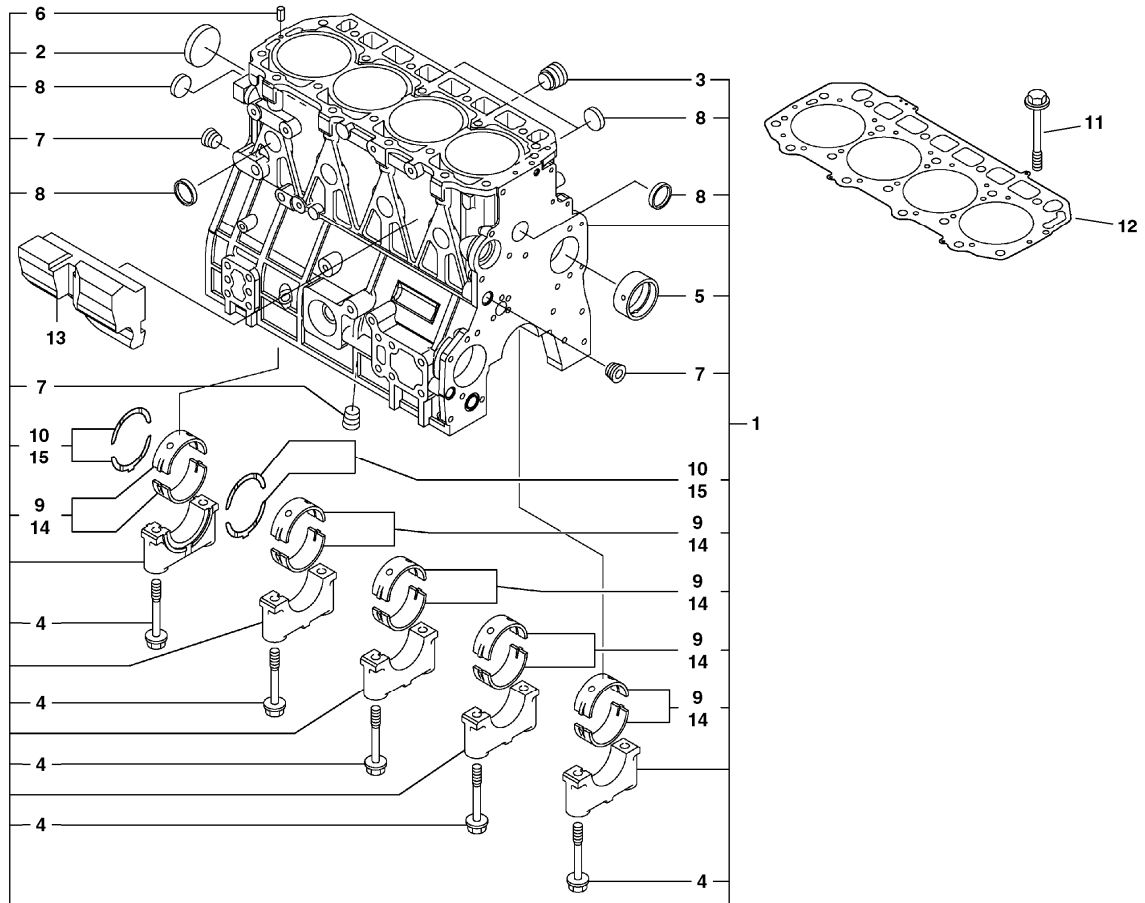
| Section option | Kit | Option description |
|----------------|-----|------------------------------------------------------|
| VOE8279041 | | Engine without Epa label INT AND KOREAN MARKET |
| VOE8279042 | | Engine with Epa label EMISSION CERTIFICATED FROM EPA |

| Q1-Q5 | Option | Option description | |
|------------|--------|--------------------|--|
| Q1 8279041 | | | |
| Q2 8279042 | | | |

| Pos | Part | Q1 | Q2 | Q3 | Q4 | Q5 | PS | Kit | Description | Option(s) | Remark |
|-----|-------------|----|----|----|----|----|----|-----|-------------|-----------|--------|
| 1 | VOE14521544 | 1 | 1 | | | | SS | | Cover | | |
| 2 | VOE14521545 | 1 | 1 | | | | | | •Plate | | |
| 3 | VOE14521546 | 1 | 1 | | | | | | •Baffle | | |
| 4 | VOE14521547 | 1 | 1 | | | | | | •Baffle | | |
| 5 | VOE14521548 | 1 | 1 | | | | | | •Diaphragm | | |
| 6 | VOE14521549 | 1 | 1 | | | | | | •Plate | | |
| 7 | VOE14521550 | 1 | 1 | | | | | | •Plate | | |

| | | | | | | | | | | | |
|----|--------------|----|----|--|--|--|--|--|----------------|--|----------------|
| 8 | VOE14521551 | 1 | 1 | | | | | | •Spring | | |
| 9 | VOE14521552 | 1 | 1 | | | | | | •Gasket | | |
| 10 | VOE14521553 | 1 | 1 | | | | | | •Plug | | |
| 11 | SA8210-08850 | 12 | 12 | | | | | | •Screw | | |
| 12 | VOE11714385 | 4 | 4 | | | | | | Flange cap nut | | (SA8210-03250) |
| 13 | VOE11714386 | 4 | 4 | | | | | | O-ring | | (SA8210-08870) |
| 14 | VOE11714371 | 1 | 1 | | | | | | O-ring | | (SA8210-08880) |
| 15 | VOE11714383 | 1 | 1 | | | | | | Cap | | (SA8210-03240) |
| 16 | VOE14543857 | 1 | 1 | | | | | | Gasket | | (SA8240-02760) |

| | | | |
|----------------------------|-------------------------------|----------------------------------|---------------------------------|
| Date: 2013/12/15 | Image id: 1013373 | Catalogue: 20044 | Model: ECR88 |
| Brand: Volvo | Serial: 10001-14010 | Group/Section: 212/100 | Title: Cylinder block |



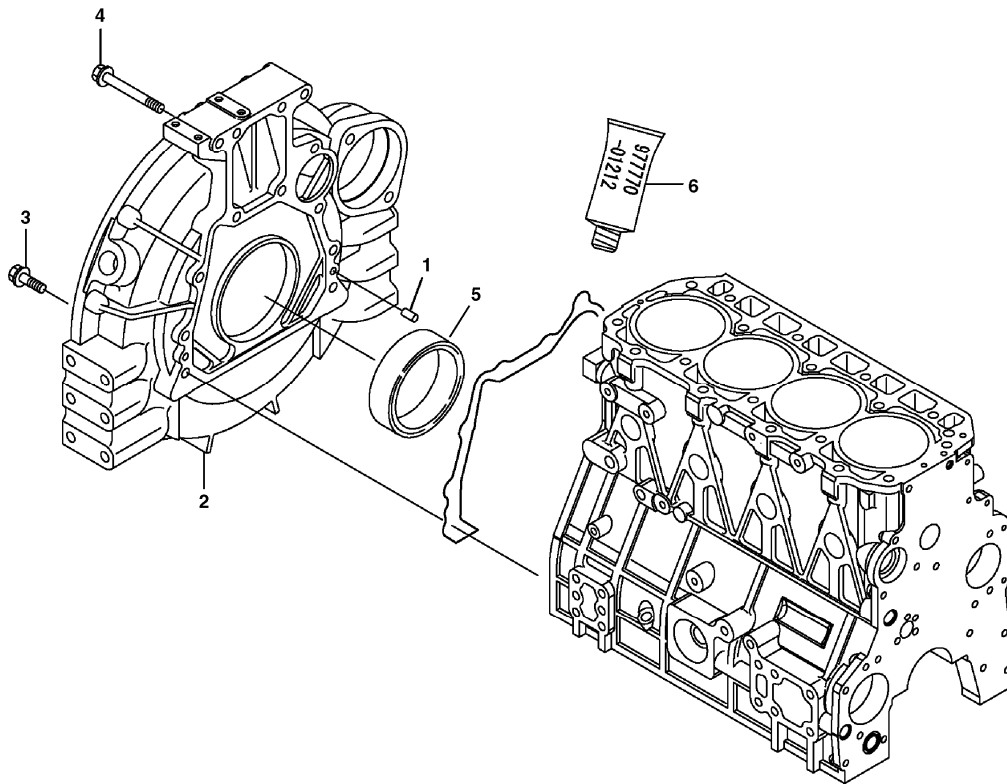
| Section option | Kit | Option description |
|----------------|-----|------------------------------------------------------|
| VOE8279041 | | Engine without Epa label INT AND KOREAN MARKET |
| VOE8279042 | | Engine with Epa label EMISSION CERTIFICATED FROM EPA |

| Q1-Q5 | Option | Option description | |
|------------|--------|--------------------|--|
| Q1 8279041 | | | |
| Q2 8279042 | | | |

| Pos | Part | Q1 | Q2 | Q3 | Q4 | Q5 | PS | Kit | Description | Option(s) | Remark |
|-----|--------------|----|----|----|----|----|----|-----|----------------|-----------|----------------|
| 1 | VOE14528159 | 1 | 1 | | | | | | Cylinder Block | | |
| 2 | VOE14521503 | 1 | 1 | | | | | | •Plug | | |
| 3 | SA8210-05320 | 1 | 1 | | | | SS | | •Plug | | |
| 4 | VOE11714756 | 10 | 10 | | | | | | •Screw | | (SA8210-04340) |
| 5 | VOE11714757 | 1 | 1 | | | | | | •Bushing | | (SA8210-04360) |
| 6 | VOE11714387 | 2 | 2 | | | | | | •Spring pin | | (SA8240-01340) |
| 7 | VOE14521504 | 1 | 1 | | | | | | •Plug | | |

| | | | | | | | | | | | |
|----|-------------|----|----|--|--|--|--|--|-------------------|--|----------------------------|
| 8 | VOE11714369 | 8 | 8 | | | | | | •Plug | | (SA8210-06750) |
| 9 | VOE15057722 | 5 | 5 | | | | | | •Main bearing kit | | (VOE14524620) |
| 10 | VOE15057699 | 2 | 2 | | | | | | •Thrust washer | | (SA8210-04380) |
| 11 | VOE11714759 | 18 | 18 | | | | | | Screw | | (SA8210-04270) |
| 12 | VOE14528161 | 1 | 1 | | | | | | Gasket | | |
| 13 | VOE14521506 | 1 | 1 | | | | | | Spacer | | |
| 14 | VOE11714760 | 5 | 5 | | | | | | Main bearing | | (SA8210-04350)0.25 U SZ |
| 15 | VOE11714761 | 2 | 2 | | | | | | Thrust washer | | (SA8210-04390)0.25 O SZ |

| | | | |
|----------------------------|-------------------------------|----------------------------------|-----------------------------------|
| Date: 2013/12/15 | Image id: 1013374 | Catalogue: 20044 | Model: ECR88 |
| Brand: Volvo | Serial: 10001-14010 | Group/Section: 212/300 | Title: Flywheel housing |



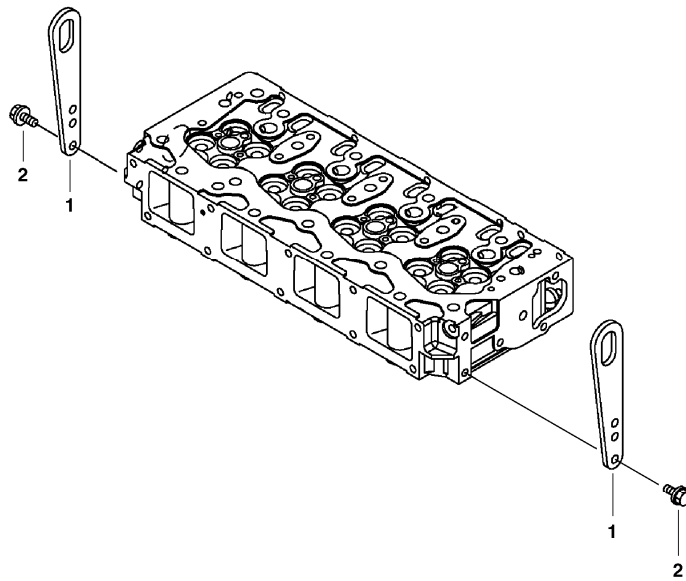
Volvo Construction
Equipment
1013374

| Section option | Kit | Option description |
|----------------|-----|------------------------------------------------------|
| VOE8279041 | | Engine without Epa label INT AND KOREAN MARKET |
| VOE8279042 | | Engine with Epa label EMISSION CERTIFICATED FROM EPA |

| Q1-Q5 | Option | Option description | |
|------------|--------|--------------------|--|
| Q1 8279041 | | | |
| Q2 8279042 | | | |

| Pos | Part | Q1 | Q2 | Q3 | Q4 | Q5 | PS | Kit | Description | Option(s) | Remark |
|-----|-------------|----|----|----|----|----|----|-----|------------------|-----------|----------------|
| 1 | VOE11714376 | 1 | 1 | | | | | | Pin | | (SA8210-03530) |
| 2 | VOE11714762 | 1 | 1 | | | | | | Flywheel housing | | (SA8210-04290) |
| 3 | VOE11714763 | 4 | 4 | | | | | | Screw | | (SA8240-01980) |
| 4 | VOE11714764 | 1 | 1 | | | | | | Screw | | (SA8240-01990) |
| 5 | VOE14514458 | 2 | 2 | | | | | | Seal | | |
| 6 | VOE14543857 | 1 | 1 | | | | | | Gasket | | (SA8240-02760) |

| | | | |
|----------------------------|-------------------------------|----------------------------------|------------------------------|
| Date: 2013/12/15 | Image id: 1013375 | Catalogue: 20044 | Model: ECR88 |
| Brand: Volvo | Serial: 10001-14010 | Group/Section: 212/500 | Title: Lifting eye |



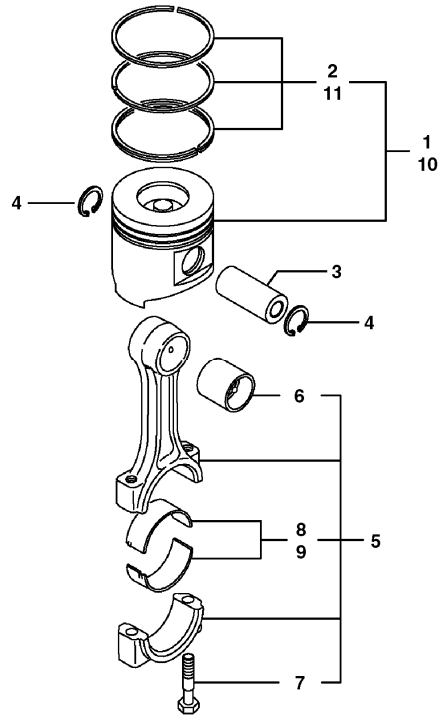
Volvo Construction
Equipment
1013375

| Section option | Kit | Option description |
|----------------|-----|------------------------------------------------------|
| VOE8279041 | | Engine without Epa label INT AND KOREAN MARKET |
| VOE8279042 | | Engine with Epa label EMISSION CERTIFICATED FROM EPA |

| Q1-Q5 | Option | Option description | |
|------------|--------|--------------------|--|
| Q1 8279041 | | | |
| Q2 8279042 | | | |

| Pos | Part | Q1 | Q2 | Q3 | Q4 | Q5 | PS | Kit | Description | Option(s) | Remark |
|-----|-------------|----|----|----|----|----|----|-----|-----------------|-----------|----------------|
| 1 | VOE11714378 | 2 | 2 | | | | | | Lifting bracket | | (SA8210-04400) |
| 2 | VOE11714372 | 4 | 4 | | | | | | Bolt | | (SA8240-01680) |

| | | | |
|----------------------------|-------------------------------|----------------------------------|--------------------------------------------|
| Date: 2013/12/15 | Image id: 1013376 | Catalogue: 20044 | Model: ECR88 |
| Brand: Volvo | Serial: 10001-14010 | Group/Section: 213/100 | Title: Connecting rod and piston |



Volvo Construction
Equipment
1013376

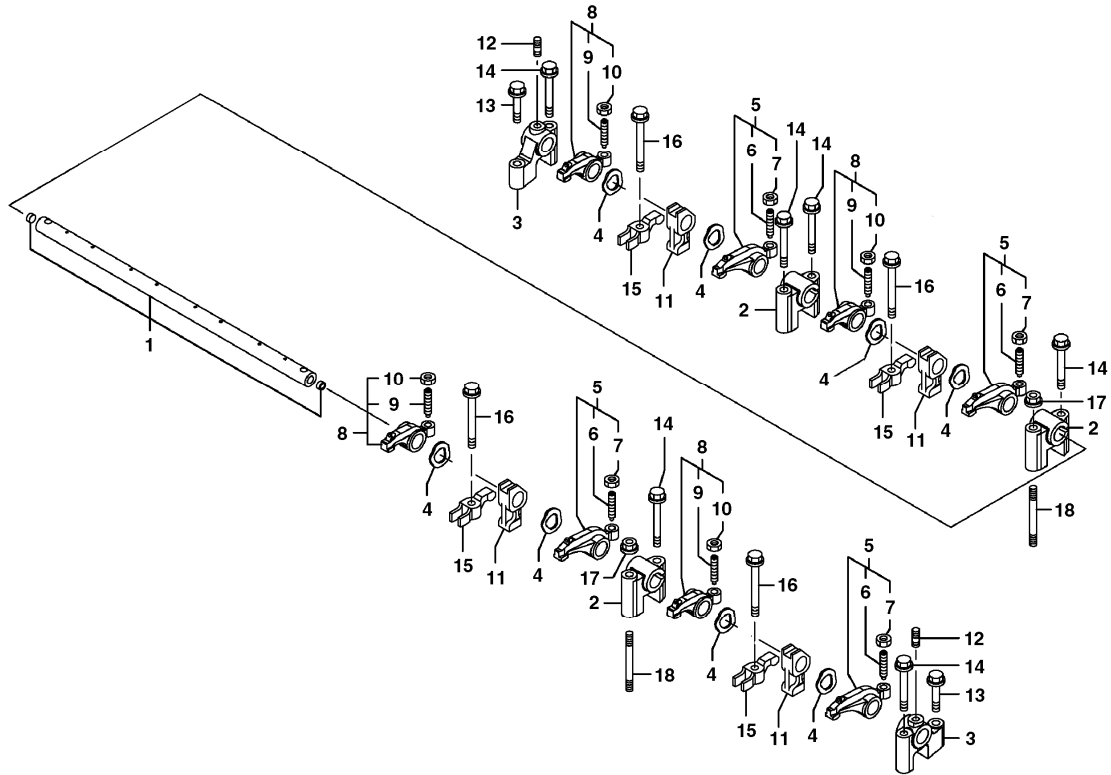
| Section option | Kit | Option description |
|----------------|-----|------------------------------------------------------|
| VOE8279041 | | Engine without Epa label INT AND KOREAN MARKET |
| VOE8279042 | | Engine with Epa label EMISSION CERTIFICATED FROM EPA |

| Q1-Q5 | Option | Option description | |
|------------|--------|--------------------|--|
| Q1 8279041 | | | |
| Q2 8279042 | | | |

| Pos | Part | Q1 | Q2 | Q3 | Q4 | Q5 | PS | Kit | Description | Option(s) | Remark |
|-----|--------------|----|----|----|----|----|----|-----|------------------|-----------|----------------|
| 1 | VOE14528162 | 1 | 1 | | | | | | Piston | | |
| 2 | VOE11714796 | 4 | 4 | | | | | | •Piston ring kit | | |
| 3 | VOE11714797 | 4 | 4 | | | | | | Gudgeon pin | | |
| 4 | VOE11714798 | 8 | 8 | | | | | | Lock ring | | |
| 5 | VOE11714799 | 4 | 4 | | | | | | Connecting rod | | (SA8210-04680) |
| 6 | SA8210-04720 | 1 | 1 | | | | | | •Bushing | | |
| 7 | VOE11714801 | 2 | 2 | | | | | | •Screw | | (SA8210-04690) |

| | | | | | | | | | | | |
|----|-------------|---|---|--|--|--|--|--|-----------------|--|----------------------------|
| 8 | VOE11714802 | 1 | 1 | | | | | | •Piston Bearing | | (SA8210-04700) |
| 9 | VOE11714803 | 4 | 4 | | | | | | Piston Bearing | | (SA8210-04710)0.25 U SZ |
| 10 | VOE14528163 | 4 | 4 | | | | | | Piston | | 0.25 O SZ |
| 11 | VOE11714804 | 4 | 4 | | | | | | •Piston | | (VOE14528164)0.25 O SZ |

| | | | |
|----------------------------|-------------------------------|----------------------------------|-----------------------------|
| Date: 2013/12/15 | Image id: 1013377 | Catalogue: 20044 | Model: ECR88 |
| Brand: Volvo | Serial: 10001-14010 | Group/Section: 214/200 | Title: Rocker arm |



Volvo Construction
Equipment
1013377

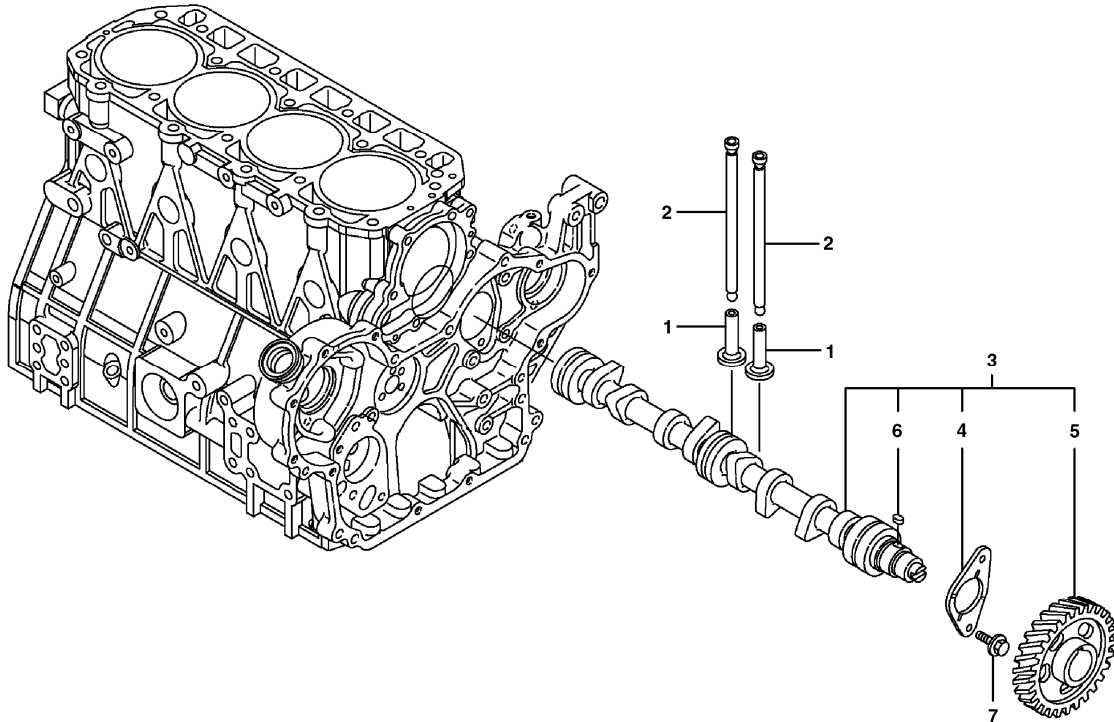
| Section option | Kit | Option description |
|----------------|-----|------------------------------------------------------|
| VOE8279041 | | Engine without Epa label INT AND KOREAN MARKET |
| VOE8279042 | | Engine with Epa label EMISSION CERTIFICATED FROM EPA |

| Q1-Q5 | Option | Option description |
|------------|--------|--------------------|
| Q1 8279041 | | |
| Q2 8279042 | | |

| Pos | Part | Q1 | Q2 | Q3 | Q4 | Q5 | PS | Kit | Description | Option(s) | Remark |
|-----|--------------|----|----|----|----|----|----|-----|----------------|-----------|--------|
| | VOE14525390 | 1 | 1 | | | | | | Valve | | |
| 1 | VOE14521535 | 1 | 1 | | | | | | •Rocker arm | | |
| 2 | VOE14521536 | 3 | 3 | | | | | | •Support | | |
| 3 | VOE14521537 | 2 | 2 | | | | | | •Support | | |
| 4 | VOE14521538 | 8 | 8 | | | | | | •Spring washer | | |
| 5 | VOE14521539 | 4 | 4 | | | | | | •Rocker arm | | |
| 6 | SA8210-03660 | 1 | 1 | | | | | | ••Screw | | |

| | | | | | | | | | | | |
|----|--------------|---|---|--|--|--|--|--|--------------|--|----------------|
| 7 | VOE11714380 | 1 | 1 | | | | | | ••Nut | | (SA8210-03680) |
| 8 | VOE14521540 | 4 | 4 | | | | | | •Rocker arm | | |
| 9 | SA8210-03660 | 1 | 1 | | | | | | ••Screw | | |
| 10 | VOE11714380 | 1 | 1 | | | | | | ••Nut | | (SA8210-03680) |
| 11 | VOE14525391 | 4 | 4 | | | | | | •Retainer | | |
| 12 | VOE14521542 | 2 | 2 | | | | | | •Bolt | | |
| 13 | VOE11714487 | 2 | 2 | | | | | | Bolt | | (SA8240-01710) |
| 14 | VOE11714494 | 6 | 6 | | | | | | Bolt | | |
| 15 | VOE14525392 | 4 | 4 | | | | | | Retainer | | |
| 16 | VOE14525393 | 4 | 4 | | | | | | Flange screw | | |
| 17 | VOE14521543 | 2 | 2 | | | | | | Nut | | |
| 18 | VOE14525389 | 2 | 2 | | | | | | Bolt | | |

| | | | |
|----------------------------|-------------------------------|----------------------------------|---------------------------|
| Date: 2013/12/15 | Image id: 1013378 | Catalogue: 20044 | Model: ECR88 |
| Brand: Volvo | Serial: 10001-14010 | Group/Section: 215/100 | Title: Camshaft |



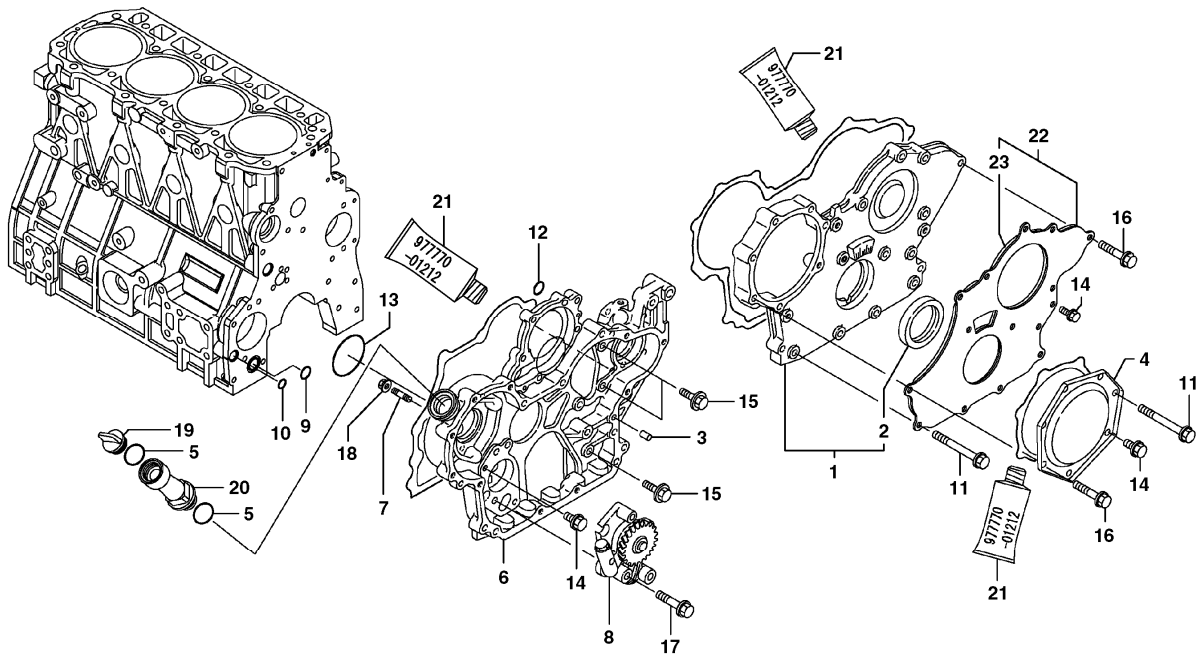
Volvo Construction
Equipment
1013378

| Section option | Kit | Option description |
|----------------|-----|------------------------------------------------------|
| VOE8279041 | | Engine without Epa label INT AND KOREAN MARKET |
| VOE8279042 | | Engine with Epa label EMISSION CERTIFICATED FROM EPA |

| Q1-Q5 | Option | Option description | |
|------------|--------|--------------------|--|
| Q1 8279041 | | | |
| Q2 8279042 | | | |

| Pos | Part | Q1 | Q2 | Q3 | Q4 | Q5 | PS | Kit | Description | Option(s) | Remark |
|-----|--------------|----|----|----|----|----|----|-----|-------------|-----------|----------------|
| 1 | VOE11714485 | 8 | 8 | | | | | | Tappet | | |
| 2 | VOE14521559 | 8 | 8 | | | | | | Push rod | | |
| 3 | VOE14521560 | 1 | 1 | | | | | | Camshaft | | |
| 4 | SA8210-03640 | 1 | 1 | | | | | | •Bearing | | |
| 5 | SA8210-04580 | 1 | 1 | | | | | | •Gear | | |
| 6 | SA8210-05520 | 1 | 1 | | | | | | •Key | | |
| 7 | VOE11714372 | 2 | 2 | | | | | | Bolt | | (SA8240-01680) |

| | | | |
|----------------------------|-------------------------------|----------------------------------|-------------------------------------|
| Date: 2013/12/15 | Image id: 1013379 | Catalogue: 20044 | Model: ECR88 |
| Brand: Volvo | Serial: 10001-14010 | Group/Section: 215/200 | Title: Timing gear casing |



Volvo Construction
Equipment
1013379

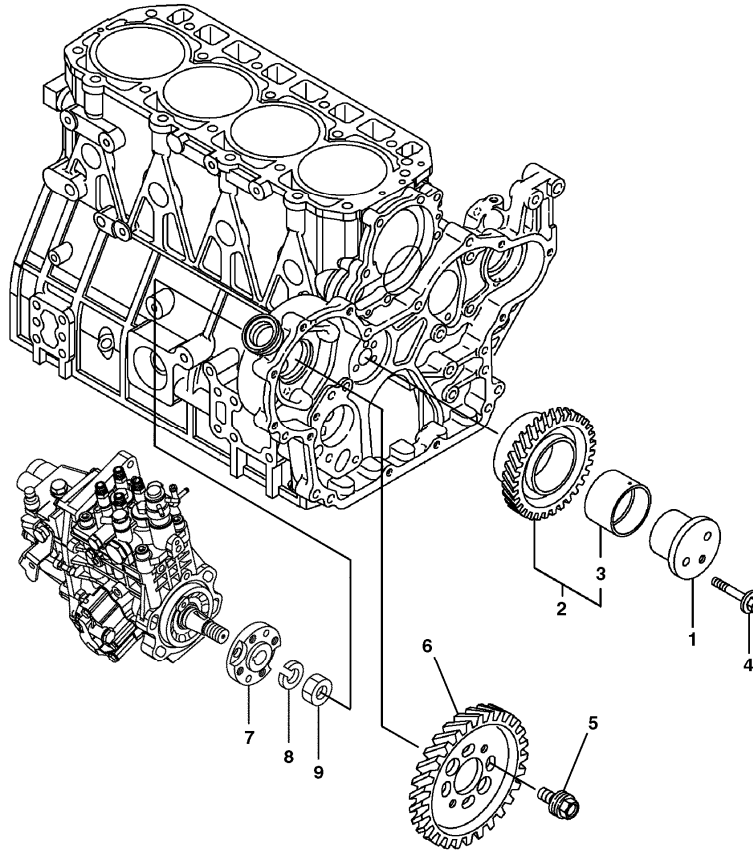
| Section option | Kit | Option description |
|----------------|-----|------------------------------------------------------|
| VOE8279041 | | Engine without Epa label INT AND KOREAN MARKET |
| VOE8279042 | | Engine with Epa label EMISSION CERTIFICATED FROM EPA |

| Q1-Q5 | Option | Option description | |
|------------|--------|--------------------|--|
| Q1 8279041 | | | |
| Q2 8279042 | | | |

| Pos | Part | Q1 | Q2 | Q3 | Q4 | Q5 | PS | Kit | Description | Option(s) | Remark |
|-----|--------------|----|----|----|----|----|----|-----|-------------|-----------|----------------|
| 1 | VOE14521507 | 1 | 1 | | | | | | Housing | | |
| 2 | VOE14514867 | 1 | 1 | | | | | | •Sealing | | |
| 3 | VOE11714376 | 4 | 4 | | | | | | Pin | | (SA8210-03530) |
| 4 | VOE11714746 | 1 | 1 | | | | | | Cover | | |
| 5 | VOE11714371 | 2 | 2 | | | | | | O-ring | | (SA8210-08880) |
| 6 | VOE14524622 | 1 | 1 | | | | | | Housing | | |
| 7 | SA8240-02060 | 4 | 4 | | | | | | Stud | | |

| | | | | | | | | | | | |
|----|--------------|----|----|--|--|--|--|--|----------|--|----------------|
| 8 | VOE14525387 | 1 | 1 | | | | | | Pump | | |
| 9 | VOE11714738 | 1 | 1 | | | | | | O-ring | | |
| 10 | VOE11714739 | 1 | 1 | | | | | | O-ring | | |
| 11 | VOE14521510 | 7 | 7 | | | | | | Bolt | | |
| 12 | SA8210-08860 | 1 | 1 | | | | | | O-ring | | |
| 13 | VOE14521512 | 1 | 1 | | | | | | Wrapping | | |
| 14 | VOE11714372 | 5 | 5 | | | | | | Bolt | | (SA8240-01680) |
| 15 | VOE11714388 | 3 | 3 | | | | | | Bolt | | (SA8240-01700) |
| 16 | VOE11714487 | 10 | 10 | | | | | | Bolt | | (SA8240-01710) |
| 17 | VOE11714377 | 3 | 3 | | | | | | Bolt | | (SA8240-01720) |
| 18 | VOE14521513 | 4 | 4 | | | | | | Nut | | |
| 19 | VOE11714383 | 1 | 1 | | | | | | Cap | | (SA8210-03240) |
| 20 | SA8210-05300 | 1 | 1 | | | | | | Pipe | | |
| 21 | VOE14543857 | 1 | 1 | | | | | | Gasket | | (SA8240-02760) |
| 22 | VOE14521515 | 1 | 1 | | | | | | Cover | | |
| 23 | VOE14521516 | 1 | 1 | | | | | | •Sponge | | |

| | | | |
|----------------------------|-------------------------------|----------------------------------|------------------------------|
| Date: 2013/12/15 | Image id: 1013380 | Catalogue: 20044 | Model: ECR88 |
| Brand: Volvo | Serial: 10001-14010 | Group/Section: 215/250 | Title: Timing gear |



Volvo Construction
Equipment
1013380

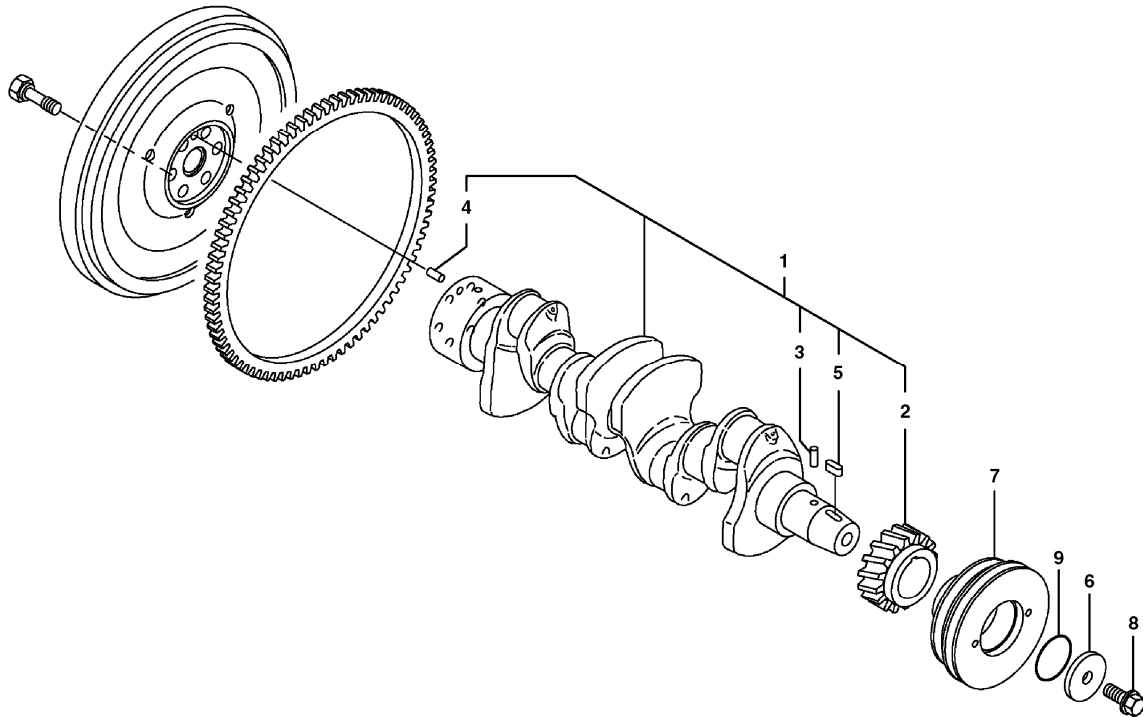
| Section option | Kit | Option description |
|----------------|-----|------------------------------------------------------|
| VOE8279041 | | Engine without Epa label INT AND KOREAN MARKET |
| VOE8279042 | | Engine with Epa label EMISSION CERTIFICATED FROM EPA |

| Q1-Q5 | Option | Option description | |
|------------|--------|--------------------|--|
| Q1 8279041 | | | |
| Q2 8279042 | | | |

| Pos | Part | Q1 | Q2 | Q3 | Q4 | Q5 | PS | Kit | Description | Option(s) | Remark |
|-----|--------------|----|----|----|----|----|----|-----|-------------|-----------|----------------|
| 1 | VOE14521561 | 1 | 1 | | | | | | Shaft | | |
| 2 | VOE11714785 | 1 | 1 | | | | | | Gear | | |
| 3 | SA8210-03700 | 1 | 1 | | | | | | Bushing | | |
| 4 | VOE11714373 | 3 | 3 | | | | | | Bolt | | (SA8240-01730) |
| 5 | VOE14521562 | 4 | 4 | | | | | | Bolt | | |
| 6 | VOE14521563 | 1 | 1 | | | | | | Gear | | |
| 7 | VOE14525395 | 1 | 1 | | | | | | Flange | | |

| | | | | | | | | | | |
|---|--------------|---|---|--|--|--|--|---------------|--|----------------|
| 8 | SA8240-01070 | 1 | 1 | | | | | Spring Washer | | |
| 9 | VOE11714789 | 1 | 1 | | | | | Nut | | (SA8240-02230) |

| | | | |
|----------------------------|-------------------------------|----------------------------------|-----------------------------|
| Date: 2013/12/15 | Image id: 1013381 | Catalogue: 20044 | Model: ECR88 |
| Brand: Volvo | Serial: 10001-14010 | Group/Section: 216/100 | Title: Crankshaft |



Volvo Construction
Equipment
1013381

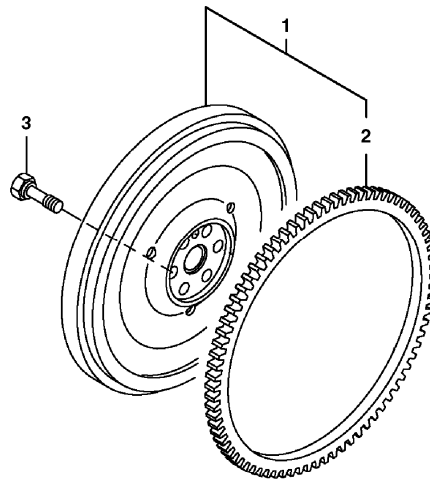
| Section option | Kit | Option description |
|----------------|-----|------------------------------------------------------|
| VOE8279041 | | Engine without Epa label INT AND KOREAN MARKET |
| VOE8279042 | | Engine with Epa label EMISSION CERTIFICATED FROM EPA |

| Q1-Q5 | Option | Option description | |
|------------|--------|--------------------|--|
| Q1 8279041 | | | |
| Q2 8279042 | | | |

| Pos | Part | Q1 | Q2 | Q3 | Q4 | Q5 | PS | Kit | Description | Option(s) | Remark |
|-----|--------------|----|----|----|----|----|----|-----|------------------|-----------|--------|
| 1 | VOE14521564 | 1 | 1 | | | | | | Crankshaft | | |
| 2 | VOE11714790 | 1 | 1 | | | | | | •Crankshaft gear | | |
| 3 | VOE11714791 | 1 | 1 | | | | | | •Guide pin | | |
| 4 | VOE11714792 | 1 | 1 | | | | | | •Guide pin | | |
| 5 | SA8210-05520 | 1 | 1 | | | | | | •Key | | |
| 6 | VOE14509381 | 1 | 1 | | | | | | Washer | | |
| 7 | VOE14517628 | 1 | 1 | | | | | | Pulley | | |

| | | | | | | | | | | | |
|---|-------------|---|---|--|--|--|--|--|--------|--|--|
| 8 | VOE14517969 | 1 | 1 | | | | | | Bolt | | |
| 9 | VOE14509382 | 1 | 1 | | | | | | O-ring | | |

| | | | |
|----------------------------|-------------------------------|----------------------------------|---------------------------|
| Date: 2013/12/15 | Image id: 1013382 | Catalogue: 20044 | Model: ECR88 |
| Brand: Volvo | Serial: 10001-14010 | Group/Section: 216/200 | Title: Flywheel |



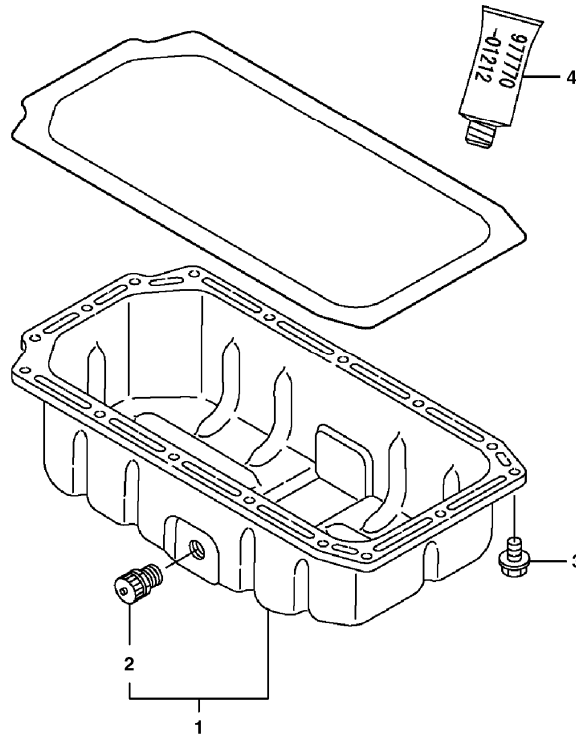
Volvo Construction
Equipment
1013382

| Section option | Kit | Option description |
|----------------|-----|------------------------------------------------------|
| VOE8279041 | | Engine without Epa label INT AND KOREAN MARKET |
| VOE8279042 | | Engine with Epa label EMISSION CERTIFICATED FROM EPA |

| Q1-Q5 | Option | Option description | |
|------------|--------|--------------------|--|
| Q1 8279041 | | | |
| Q2 8279042 | | | |

| Pos | Part | Q1 | Q2 | Q3 | Q4 | Q5 | PS | Kit | Description | Option(s) | Remark |
|-----|-------------|----|----|----|----|----|----|-----|-------------|-----------|----------------|
| 1 | VOE14500479 | 1 | 1 | | | | | | Flywheel | | |
| 2 | VOE11714795 | 1 | 1 | | | | | | •Gear ring | | |
| 3 | VOE11714793 | 6 | 6 | | | | | | Screw | | (SA8210-02690) |

| | | | |
|----------------------------|-------------------------------|----------------------------------|---------------------------|
| Date: 2013/12/15 | Image id: 1013383 | Catalogue: 20044 | Model: ECR88 |
| Brand: Volvo | Serial: 10001-14010 | Group/Section: 217/100 | Title: Oil sump |



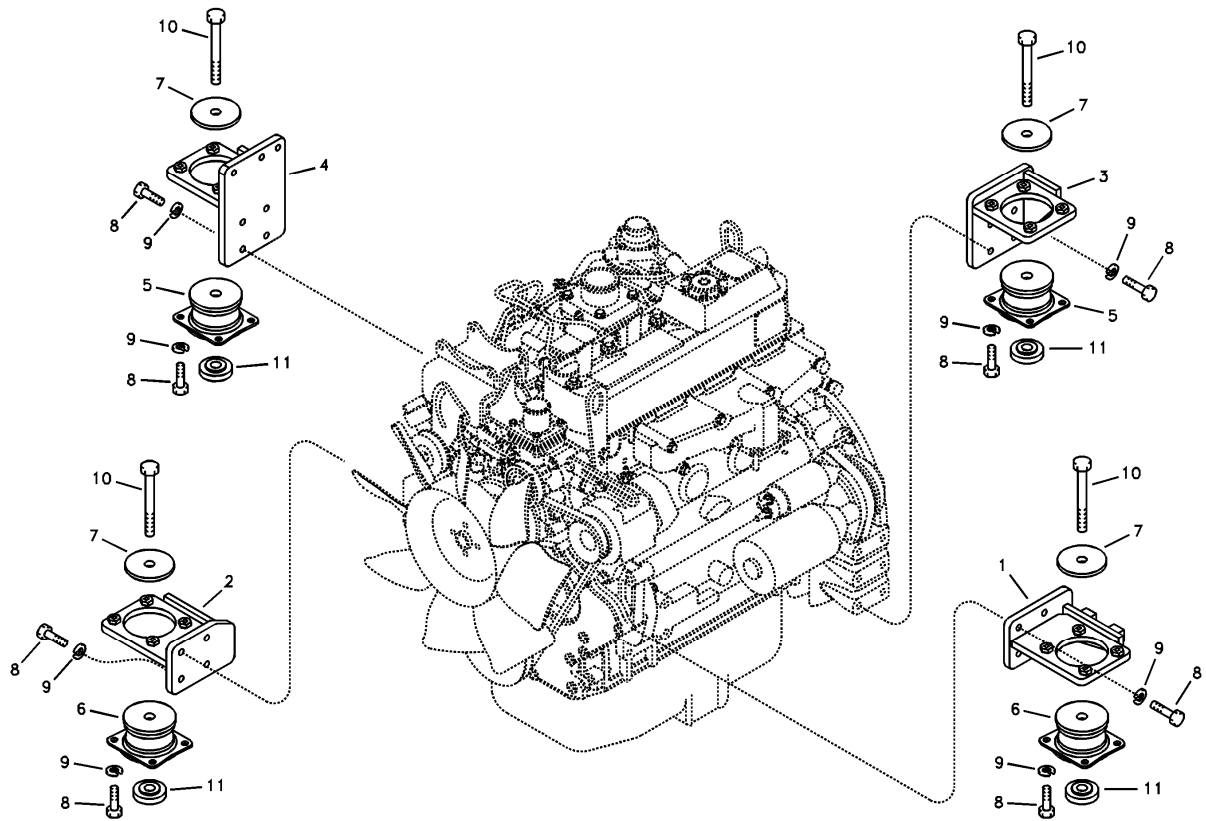
Volvo Construction
Equipment
1013383

| Section option | Kit | Option description |
|----------------|-----|------------------------------------------------------|
| VOE8279041 | | Engine without Epa label INT AND KOREAN MARKET |
| VOE8279042 | | Engine with Epa label EMISSION CERTIFICATED FROM EPA |

| Q1-Q5 | Option | Option description | |
|------------|--------|--------------------|--|
| Q1 8279041 | | | |
| Q2 8279042 | | | |

| Pos | Part | Q1 | Q2 | Q3 | Q4 | Q5 | PS | Kit | Description | Option(s) | Remark |
|-----|-------------|----|----|----|----|----|----|-----|-------------|-----------|----------------|
| 1 | VOE14524469 | 1 | 1 | | | | | | Oil Pan | | |
| 2 | VOE14521185 | 1 | 1 | | | | | | •Valve | | |
| 3 | VOE11714490 | 16 | 16 | | | | | | Bolt | | (SA8240-01670) |
| 4 | VOE14543857 | 1 | 1 | | | | | | Gasket | | (SA8240-02760) |

| | | | |
|----------------------------|-------------------------------|----------------------------------|-------------------------------|
| Date: 2013/12/15 | Image id: 1013384 | Catalogue: 20044 | Model: ECR88 |
| Brand: Volvo | Serial: 10001-14010 | Group/Section: 218/100 | Title: Engine mount |



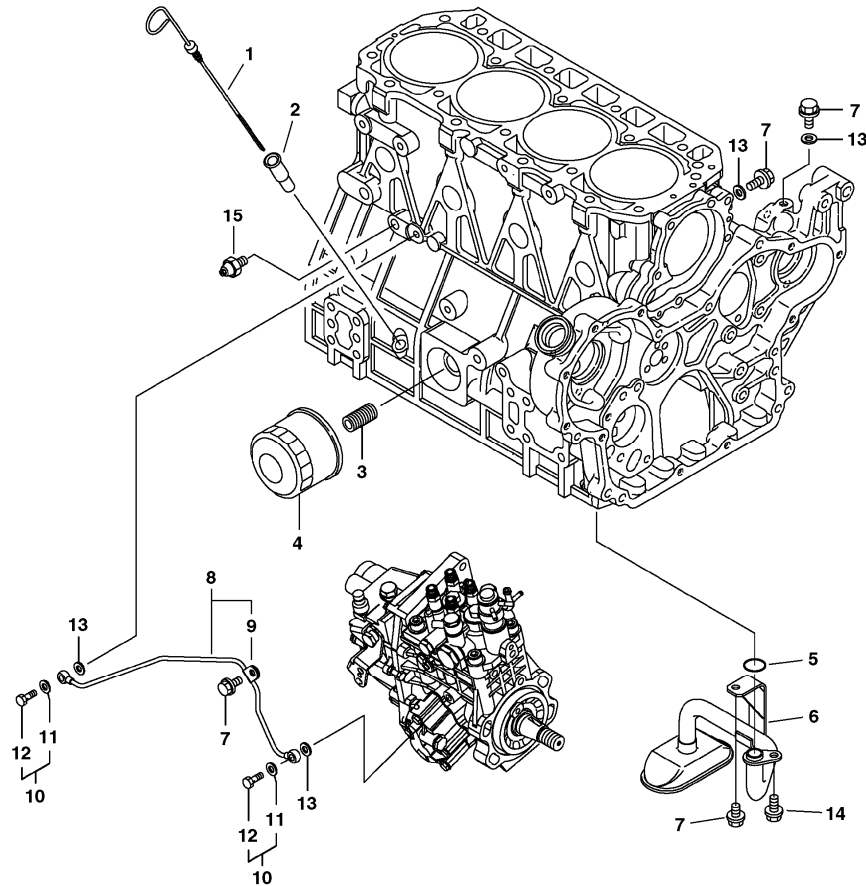
Volvo Construction
Equipment
1013384

| Section option | Kit | Option description |
|----------------|-----|---------------------|
| VOE8278985 | | Basic Machine ECR88 |

| Q1-Q5 | Option | Option description | |
|------------|------------|---------------------|--|
| Q1 8278985 | VOE8278985 | Basic Machine ECR88 | |

| Pos | Part | Q1 | Q2 | Q3 | Q4 | Q5 | PS | Kit | Description | Option(s) | Remark |
|-----|-------------|----|----|----|----|----|----|-----|-------------|-----------|-----------------------------|
| 1 | VOE14526768 | 1 | | | | | | | Bracket | | Front LH |
| 2 | VOE14528909 | 1 | | | | | | | Bracket | | Front RH SER NO 10001-10749 |
| | VOE14526767 | 1 | | | | | | | Bracket | | Front RH SER NO 10750- |
| 3 | VOE14519051 | 1 | | | | | | | Bracket | | Rear LH |
| 4 | VOE14526105 | 1 | | | | | | | Bracket | | Rear RH |
| 5 | VOE14592731 | 2 | | | | | | | Cushion | | (SA1112-30340) |
| 6 | VOE14592730 | 2 | | | | | | | Cushion | | (SA1112-30350) |

| | | | |
|----------------------------|-------------------------------|----------------------------------|-----------------------------------------|
| Date: 2013/12/15 | Image id: 1013385 | Catalogue: 20044 | Model: ECR88 |
| Brand: Volvo | Serial: 10001-14010 | Group/Section: 220/300 | Title: Lubricating oil system |



Volvo Construction
Equipment
1013385

| Section option | Kit | Option description |
|----------------|-----|------------------------------------------------------|
| VOE8279041 | | Engine without Epa label INT AND KOREAN MARKET |
| VOE8279042 | | Engine with Epa label EMISSION CERTIFICATED FROM EPA |

| Q1-Q5 | Option | Option description | |
|------------|--------|--------------------|--|
| Q1 8279041 | | | |
| Q2 8279042 | | | |

| Pos | Part | Q1 | Q2 | Q3 | Q4 | Q5 | PS | Kit | Description | Option(s) | Remark |
|-----|-------------|----|----|----|----|----|----|-----|---------------|-----------|----------------|
| 1 | VOE14524359 | 1 | 1 | | | | | | Dipstick | | |
| 2 | VOE11715318 | 1 | 1 | | | | | | Dipstick tube | | |
| 3 | VOE11714907 | 1 | 1 | | | | | | Fitting | | (SA8210-00920) |
| 4 | VOE14525396 | 1 | 1 | | | | SS | | Filter | | |
| 5 | VOE11714738 | 1 | 1 | | | | | | O-ring | | (SA8210-04770) |
| 6 | VOE14525397 | 1 | 1 | | | | | | Oil pipe | | |
| 7 | VOE11714490 | 4 | 4 | | | | | | Bolt | | (SA8240-01670) |

| | | | | | | | | | | | |
|----|--------------|---|---|--|--|--|----|--|-----------------|--|----------------|
| 8 | VOE14528165 | 1 | 1 | | | | SS | | Pipe | | |
| 9 | VOE14528166 | 1 | 1 | | | | SS | | •Support | | |
| 10 | VOE14521571 | 2 | 2 | | | | | | Bolt | | |
| 11 | VOE11714476 | 1 | 1 | | | | | | •Sealing washer | | (SA8240-01020) |
| 12 | SA8210-05600 | 1 | 1 | | | | | | •Bolt | | |
| 13 | VOE11714476 | 4 | 4 | | | | | | Sealing washer | | (SA8240-01020) |
| 14 | VOE11714372 | 1 | 1 | | | | | | Bolt | | (SA8240-01680) |
| 15 | VOE14520582 | 1 | 1 | | | | | | Switch | | |

Thank you so much for reading.
Please click the “Buy Now!”
button below to download the
complete manual.



After you pay.

You can download the most
perfect and complete manual in
the world immediately.

Our support email:

ebooklibonline@outlook.com