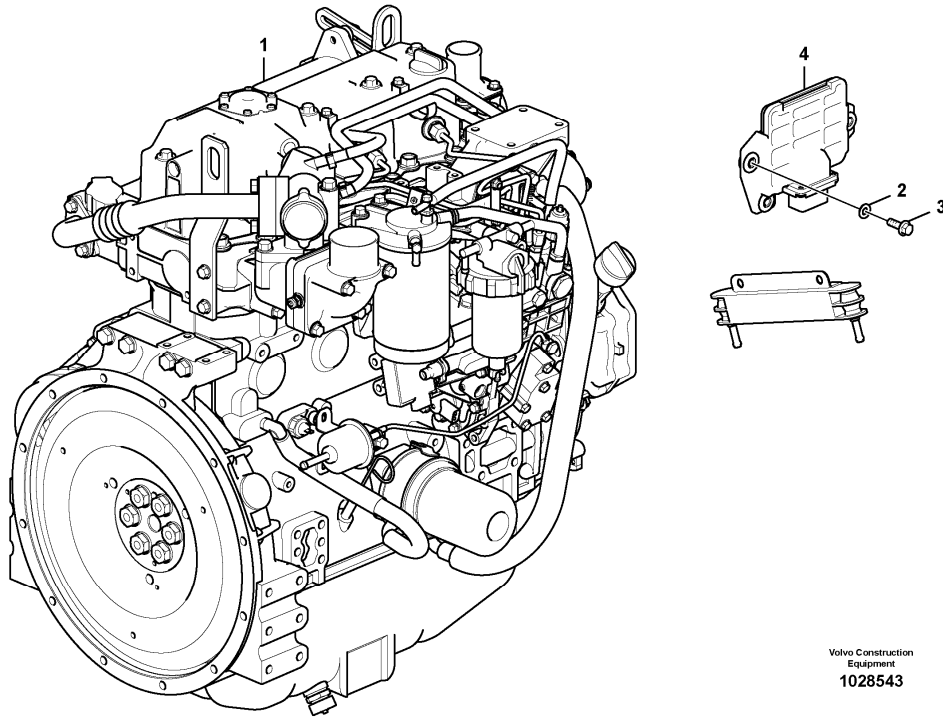


Date: 2013/12/15	Image id: 1028543	Catalogue: 20218	Model: ECR88
Brand: Volvo	Serial: 14011-	Group/Section: 210/100	Title: Engine



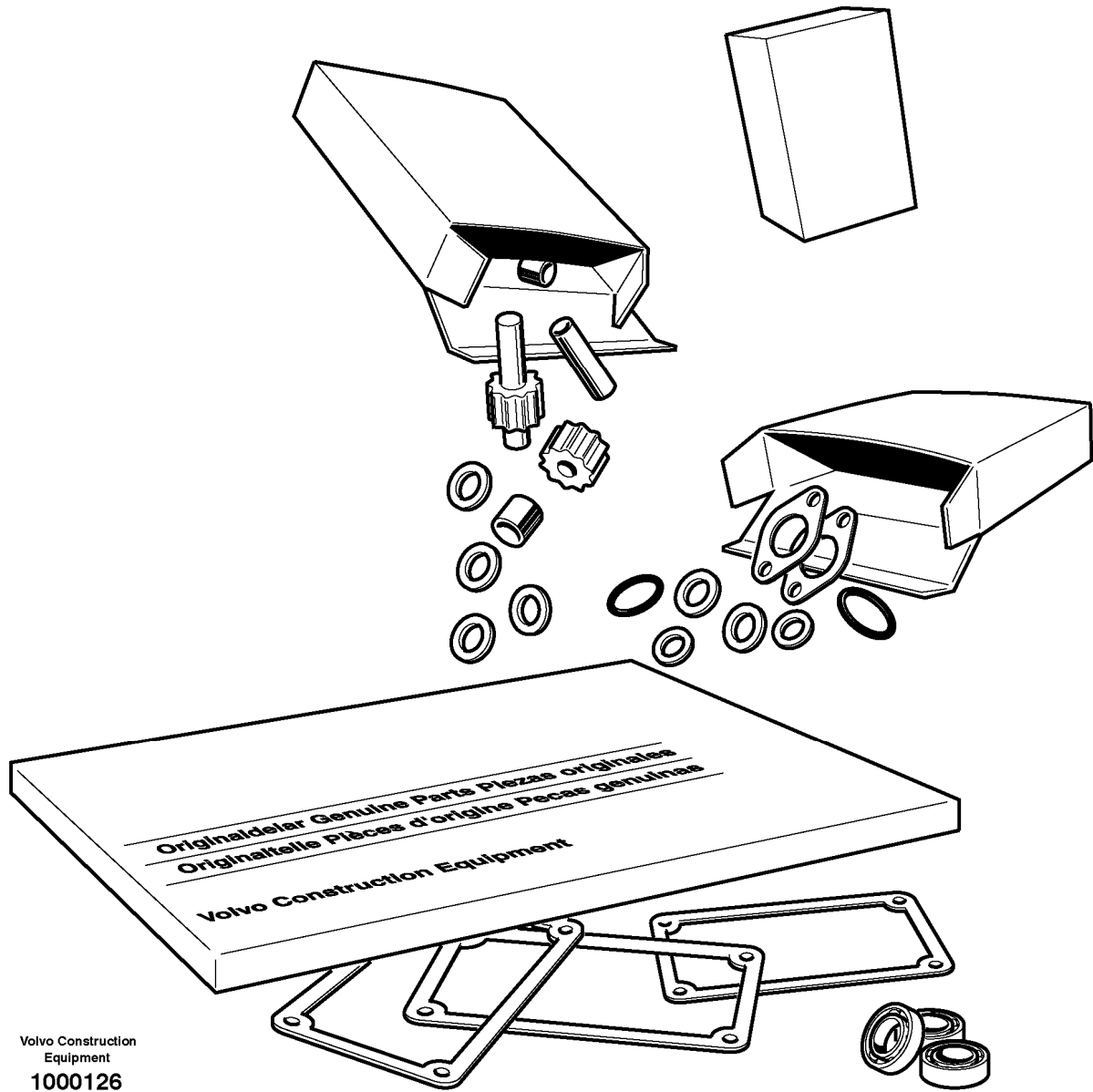
Volvo Construction
Equipment
1028543

Section option	Kit	Option description
VOE8284768		Engine with Epa label EMISSION CERTIFICATED FROM EU&EPA

Q1-Q5	Option	Option description	
Q1 8284768	VOE8284768	Engine with Epa label EMISSION CERTIFICATED FROM EU&EPA	

Pos	Part	Q1	Q2	Q3	Q4	Q5	PS	Kit	Description	Option(s)	Remark
1	VOE14557680	1							Engine		
2	VOE13955894	3							Washer		
3	VOE13945444	3							Flange screw		
4	VOE11380001	1							ECU		

Date: 2013/12/15	Image id: 1000126	Catalogue: 20218	Model: ECR88
Brand: Volvo	Serial: 14011-	Group/Section: 210/200	Title: Repair kits for engine

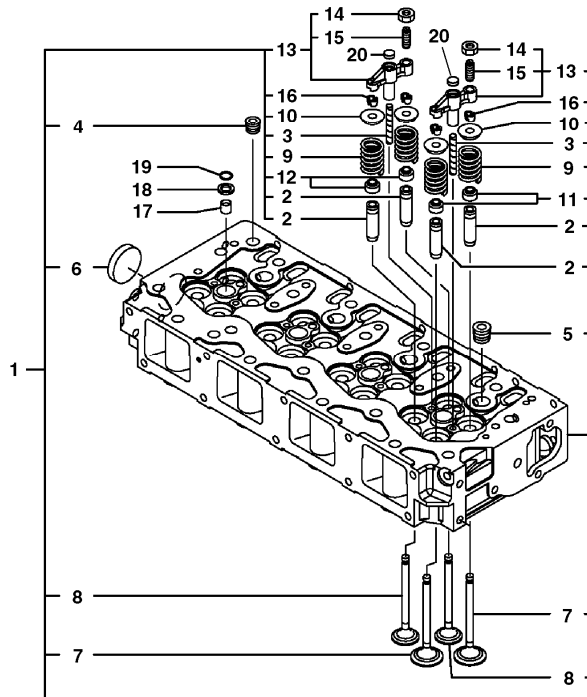


Section option	Kit	Option description
VOE8284768		Engine with Epa label EMISSION CERTIFICATED FROM EU&EPA

Q1-Q5	Option	Option description
Q1 8284768	VOE8284768	Engine with Epa label EMISSION CERTIFICATED FROM EU&EPA

Pos	Part	Q1	Q2	Q3	Q4	Q5	PS	Kit	Description	Option(s)	Remark
1	VOE15066562	1							Gasket kit		
2	VOE14528171	1					SS		•Cylinder head		

Date: 2013/12/15	Image id: 1013371	Catalogue: 20218	Model: ECR88
Brand: Volvo	Serial: 14011-	Group/Section: 211/100	Title: Cylinder head



Volvo Construction
Equipment
1013371

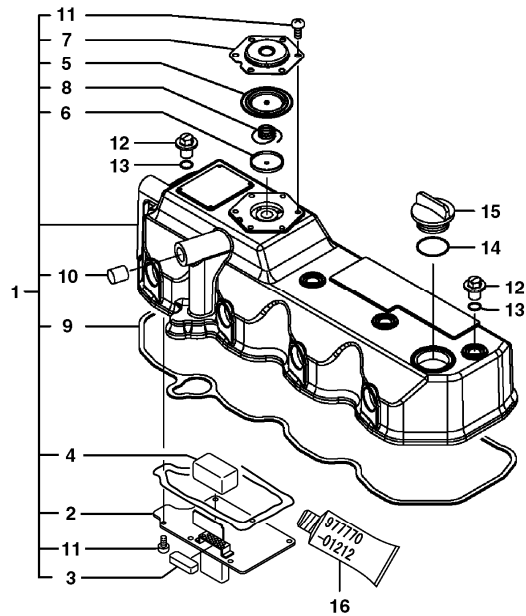
Section option	Kit	Option description
VOE8284768		Engine with Epa label EMISSION CERTIFICATED FROM EU&EPA

Q1-Q5	Option	Option description	
Q1 8284768	VOE8284768	Engine with Epa label EMISSION CERTIFICATED FROM EU&EPA	

Pos	Part	Q1	Q2	Q3	Q4	Q5	PS	Kit	Description	Option(s)	Remark
1	VOE15065393	1							Cylinder head		
2	VOE14525388	16							•Valve guide		
3	VOE14521521	8							•Guide		
4	VOE14521522	1							•Plug		
5	VOE14521504	4							•Plug		
6	VOE11714379	1							•Plug		(SA8210-05840)
7	VOE14521523	8							•Inlet valve		INLET VALVE
8	VOE14521524	8							•Exhaust valve		EXHAUST VALVE
9	VOE14521525	16							•Valve spring		

10	VOE14521526	16							•Retainer		
11	VOE14521527	8							•Valve seal		INLET
12	VOE15057732	8							•Valve seal		EXHAUST
13	VOE14521529	8							•Valve guide		
14	VOE11714380	8							••Nut		(SA8210-03680)
15	VOE14521530	8							••Screw		
16	VOE14521531	16							•Valve cone		
17	VOE14521532	4							Protection		
18	VOE11714381	4							Seat		
19	VOE11714386	4							O-ring		(SA8210-08870)
20	VOE14521518	8							Seat		

Date: 2013/12/15	Image id: 1013372	Catalogue: 20218	Model: ECR88
Brand: Volvo	Serial: 14011-	Group/Section: 211/200	Title: Valve cover



Volvo Construction
Equipment
1013372

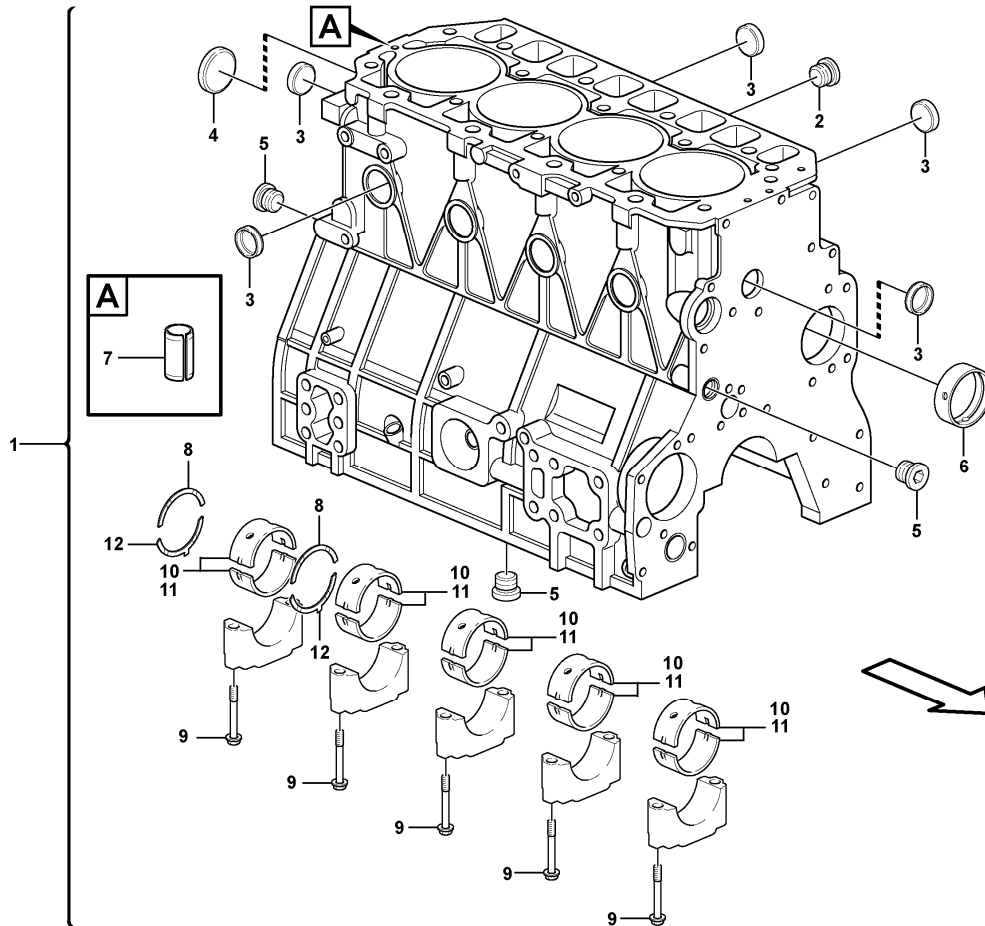
Section option	Kit	Option description
VOE8284768		Engine with Epa label EMISSION CERTIFICATED FROM EU&EPA

Q1-Q5	Option	Option description	
Q1 8284768	VOE8284768	Engine with Epa label EMISSION CERTIFICATED FROM EU&EPA	

Pos	Part	Q1	Q2	Q3	Q4	Q5	PS	Kit	Description	Option(s)	Remark
1	VOE15065401	1							Valve cover		
2	VOE11714770	1					NS		•Plate		
3	VOE11714771	1					NS		•Baffle		
4	VOE14521547	1							•Baffle		
5	VOE14521548	1							•Diaphragm		
6	VOE14521549	1							•Plate		
7	VOE14521550	1							•Plate		
8	VOE14521551	1							•Spring		
9	VOE15057758	1							•Valve cover gasket		

10	VOE14521553	1							•Plug		
11	VOE11714720	12							•Screw		
12	VOE11714385	4							Flange cap nut		(SA8210-03250)
13	VOE11714386	4							O-ring		(SA8210-08870)
14	VOE11714371	1							O-ring		(SA8210-08880)
15	VOE11714383	1							Cap		(SA8210-03240)
16	VOE14543857	1							Gasket		(SA8240-02760)

Date: 2013/12/15	Image id: 1033516	Catalogue: 20218	Model: ECR88
Brand: Volvo	Serial: 14011-	Group/Section: 212/100	Title: Cylinder block



Volvo Construction
Equipment
1033516

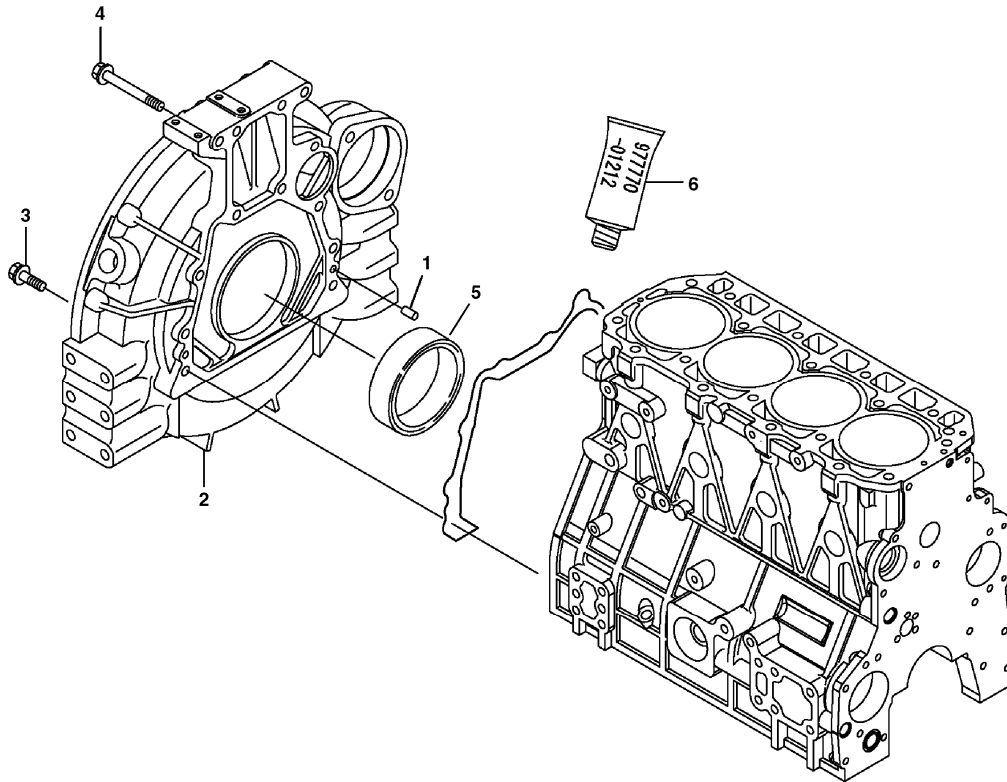
Section option	Kit	Option description
VOE8284768		Engine with Epa label EMISSION CERTIFICATED FROM EU&EPA

Q1-Q5	Option	Option description	
Q1 8284768	VOE8284768	Engine with Epa label EMISSION CERTIFICATED FROM EU&EPA	

Pos	Part	Q1	Q2	Q3	Q4	Q5	PS	Kit	Description	Option(s)	Remark
1	VOE15065328	1							Cylinder Block		
2	VOE11713560	1							•Plug		
3	VOE11714369	8							•Plug		
4	VOE14521503	1							•Plug		
5	VOE14521504	3							•Plug		
6	VOE11714757	1							•Bushing		
7	VOE11714387	2							•Spring Pin		
8	VOE15057699	2							•Thrust Washer		
9	VOE11714756	10							•Screw		

10	VOE15057722	5							Main bearing kit		STD
11	VOE15057730	5							Main bearing kit		US = 0.25 MM
12	VOE15057718	2							Thrust Washer		

Date: 2013/12/15	Image id: 1013374	Catalogue: 20218	Model: ECR88
Brand: Volvo	Serial: 14011-	Group/Section: 212/200	Title: Flywheel housing



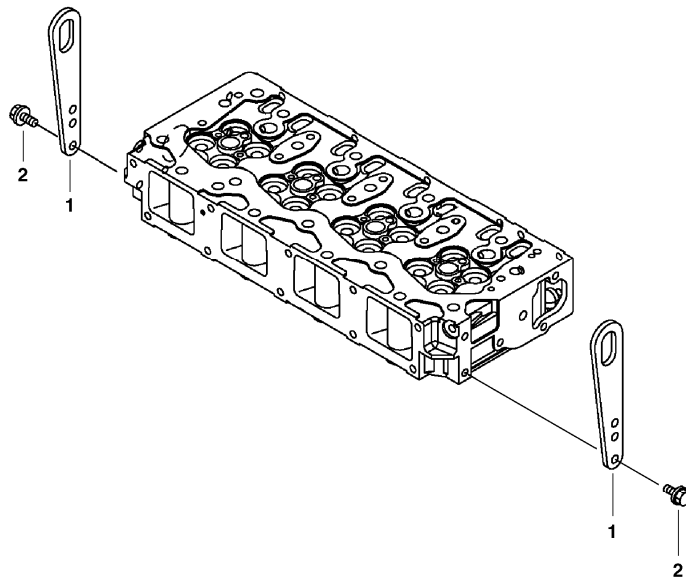
Volvo Construction
Equipment
1013374

Section option	Kit	Option description
VOE8284768		Engine with Epa label EMISSION CERTIFICATED FROM EU&EPA

Q1-Q5	Option	Option description	
Q1 8284768	VOE8284768	Engine with Epa label EMISSION CERTIFICATED FROM EU&EPA	

Pos	Part	Q1	Q2	Q3	Q4	Q5	PS	Kit	Description	Option(s)	Remark
1	VOE11714376	2							Pin		(SA8210-03530)
2	VOE11714762	1							Flywheel housing		(SA8210-04290)
3	VOE11714763	9							Screw		(SA8240-01980)
4	VOE11714764	4							Screw		(SA8240-01990)
5	VOE14514458	1							Seal		
6		1					NS		Gasket		

Date: 2013/12/15	Image id: 1013375	Catalogue: 20218	Model: ECR88
Brand: Volvo	Serial: 14011-	Group/Section: 212/300	Title: Lifting eye



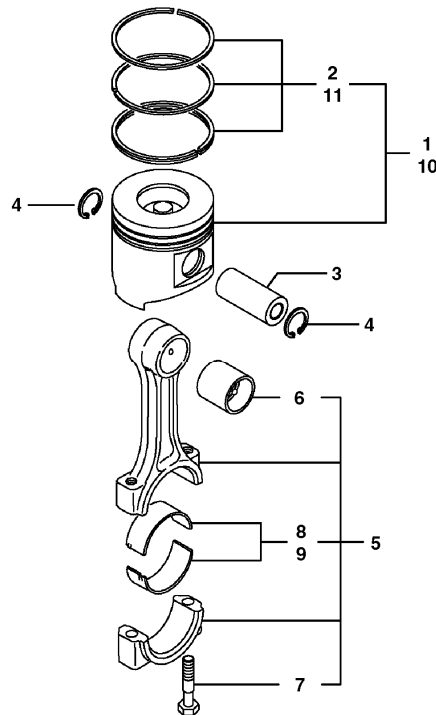
Volvo Construction
Equipment
1013375

Section option	Kit	Option description
VOE8284768		Engine with Epa label EMISSION CERTIFICATED FROM EU&EPA

Q1-Q5	Option	Option description	
Q1 8284768	VOE8284768	Engine with Epa label EMISSION CERTIFICATED FROM EU&EPA	

Pos	Part	Q1	Q2	Q3	Q4	Q5	PS	Kit	Description	Option(s)	Remark
1		2					NS		Lift		
2	VOE11714372	4							Screw		(SA8240-01680)

Date: 2013/12/15	Image id: 1013376	Catalogue: 20218	Model: ECR88
Brand: Volvo	Serial: 14011-	Group/Section: 213/100	Title: Connecting rod and piston



Volvo Construction
Equipment
1013376

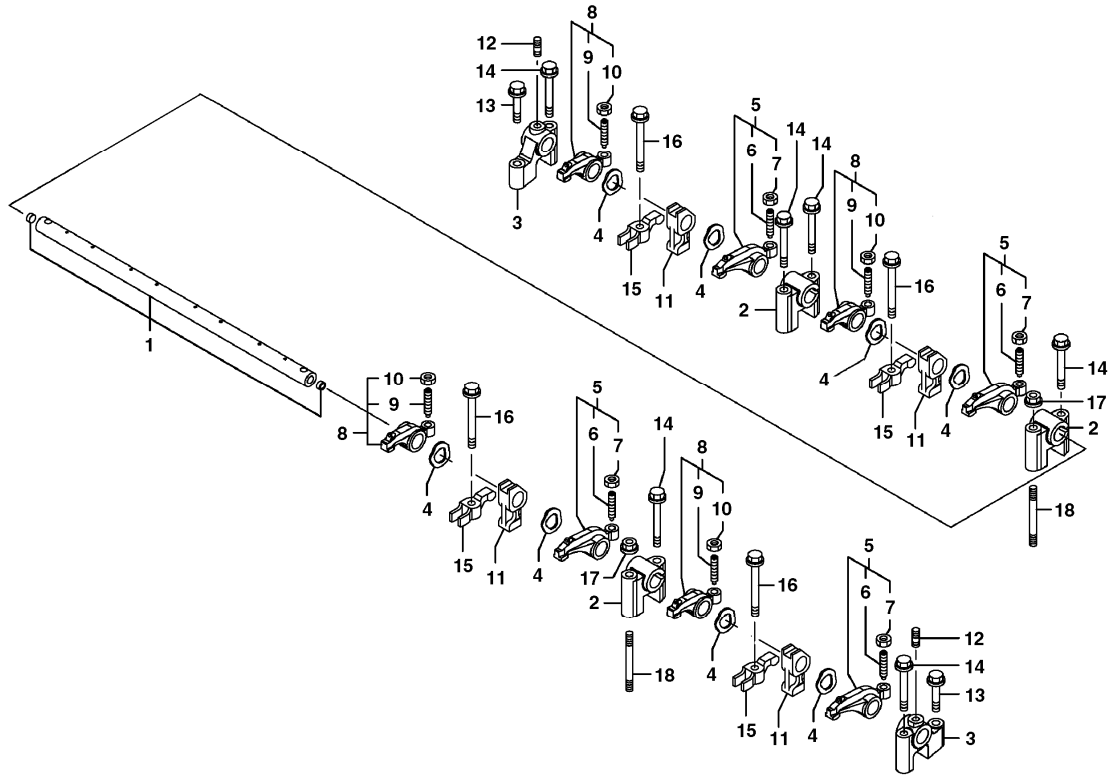
Section option	Kit	Option description
VOE8284768		Engine with Epa label EMISSION CERTIFICATED FROM EU&EPA

Q1-Q5	Option	Option description	
Q1 8284768	VOE8284768	Engine with Epa label EMISSION CERTIFICATED FROM EU&EPA	

Pos	Part	Q1	Q2	Q3	Q4	Q5	PS	Kit	Description	Option(s)	Remark
1	VOE15065402	1							Piston		
2	VOE15065408	4							•Piston Ring Kit		
3	VOE11714797	4							Piston Pin		
4	VOE11714798	8							Lock Ring		
5	VOE11714799	4							Connecting Rod		
6		1					NS		•Bushing		
6	VOE11714800	1							Bushing		
7	VOE11714801	2							•Screw		(SA8210-04690)
8	VOE15057777	1							•Big-end Bearing		

9	VOE15057790	4							Big-end Bearing		0.25 U SZ
10	VOE15065410	4							Piston		
11	VOE15065414	4							•Piston Ring Kit		0.25 O SZ

Date: 2013/12/15	Image id: 1013377	Catalogue: 20218	Model: ECR88
Brand: Volvo	Serial: 14011-	Group/Section: 214/100	Title: Rocker arm



Volvo Construction
Equipment
1013377

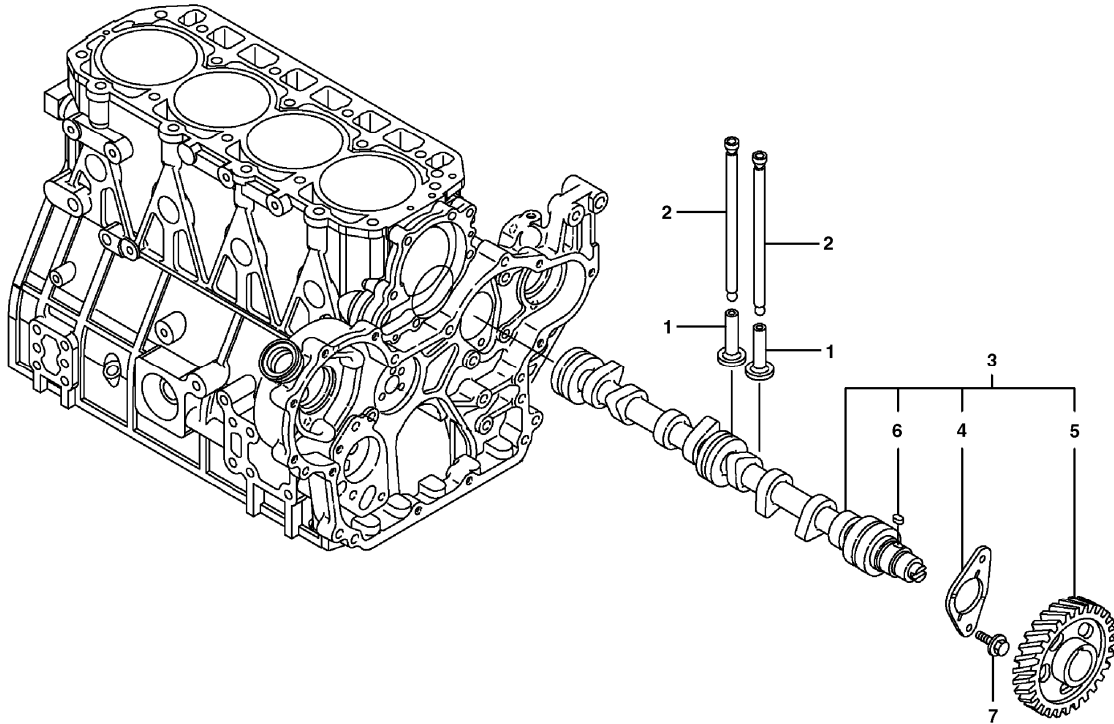
Section option	Kit	Option description
VOE8284768		Engine with Epa label EMISSION CERTIFICATED FROM EU&EPA

Q1-Q5	Option	Option description	
Q1 8284768	VOE8284768	Engine with Epa label EMISSION CERTIFICATED FROM EU&EPA	

Pos	Part	Q1	Q2	Q3	Q4	Q5	PS	Kit	Description	Option(s)	Remark
	VOE14525390	1							Rocker Arm Kit		
1	VOE14521535	1							•Shaft		
2	VOE14521536	3							•Support		
3	VOE14521537	2							•Support		
4	VOE14521538	8							•Washer		
5	VOE14521539	4							•Rocker Arm		
6	VOE11714769	1					NS		••Screw		
7	VOE11714380	1							••Nut		(SA8210-03680)
8	VOE14521540	4							•Rocker Arm		

9	VOE11714769	1					NS		••Screw		
10	VOE11714380	1							••Nut		(SA8210-03680)
11	VOE14525391	4							•Retainer		
12	VOE14521542	2							•Bolt		
13	VOE11714487	2							Bolt		(SA8240-01710)
14	VOE11714494	6							Bolt		
15	VOE14525392	4							Retainer		
16	VOE14525393	4							Flange screw		
17	VOE14521543	2							Nut		
18	VOE14525389	2							Stud		

Date: 2013/12/15	Image id: 1013378	Catalogue: 20218	Model: ECR88
Brand: Volvo	Serial: 14011-	Group/Section: 215/100	Title: Camshaft



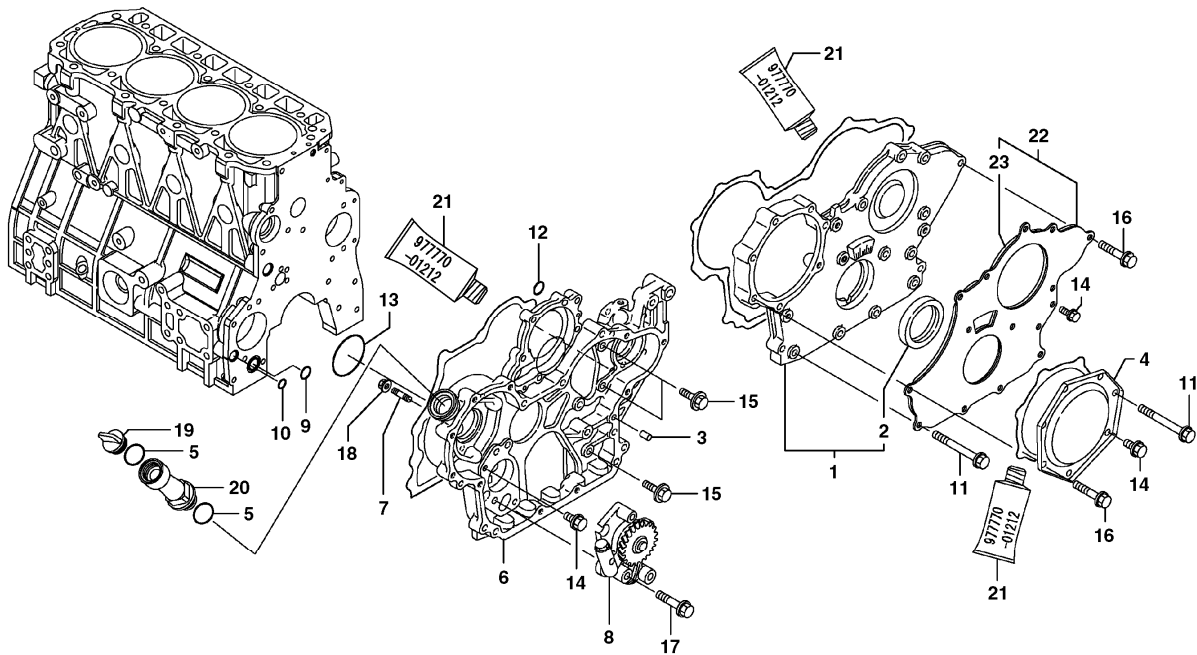
Volvo Construction
Equipment
1013378

Section option	Kit	Option description
VOE8284768		Engine with Epa label EMISSION CERTIFICATED FROM EU&EPA

Q1-Q5	Option	Option description
Q1 8284768	VOE8284768	Engine with Epa label EMISSION CERTIFICATED FROM EU&EPA

Pos	Part	Q1	Q2	Q3	Q4	Q5	PS	Kit	Description	Option(s)	Remark
1	VOE11714485	8							Tappet		
2	VOE14521559	8							Push rod		
3	VOE11714784	1							Camshaft		
4	VOE11714486	1							•Thrust washer		
5	VOE11714783	1					SS		•Camshaft gear		
6	VOE11714468	1							•Key		
7	VOE11714372	2							Bolt		(SA8240-01680)

Date: 2013/12/15	Image id: 1013379	Catalogue: 20218	Model: ECR88
Brand: Volvo	Serial: 14011-	Group/Section: 215/200	Title: Timing gear casing



Volvo Construction
Equipment
1013379

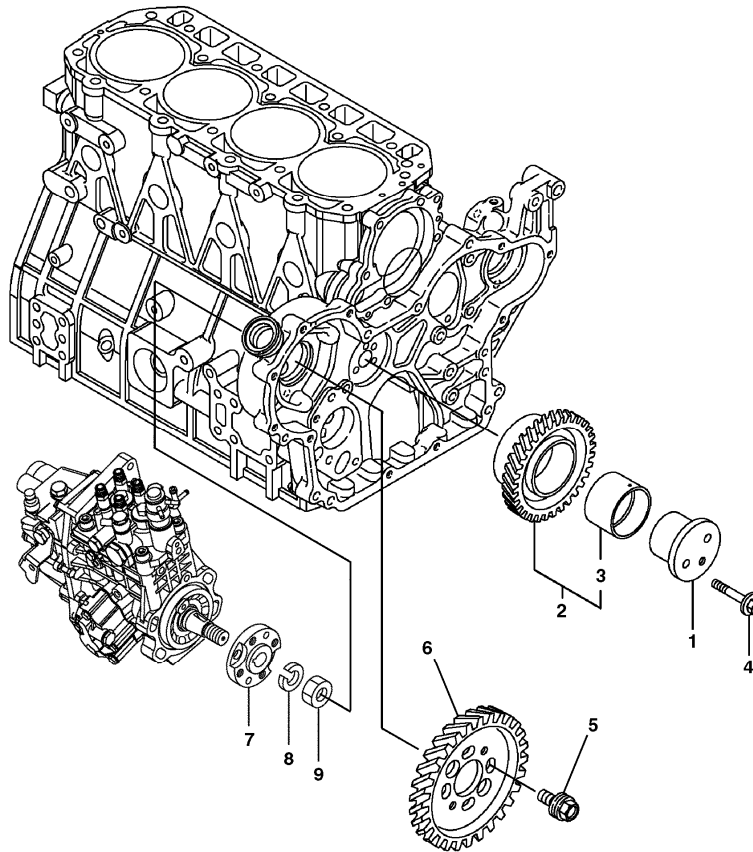
Section option	Kit	Option description
VOE8284768		Engine with Epa label EMISSION CERTIFICATED FROM EU&EPA

Q1-Q5	Option	Option description	
Q1 8284768	VOE8284768	Engine with Epa label EMISSION CERTIFICATED FROM EU&EPA	

Pos	Part	Q1	Q2	Q3	Q4	Q5	PS	Kit	Description	Option(s)	Remark
1	VOE14521507	1							Housing		
2	VOE14514867	1							•Seal		
3	VOE11714376	4							Pin		(SA8210-03530)
4	VOE11714746	1							Cover		
5	VOE11714371	2							O-ring		(SA8210-08880)
6	VOE14524622	1							Housing		
7	VOE11714749	4							Stud		
8	VOE14525387	1							Pump		
9	VOE11714738	1							O-ring		

10	VOE11714739	1						O-ring		
11	VOE14521510	7						Bolt		
12	SA8210-08860	1						O-ring		
13	VOE14521512	1						Packing		
14	VOE11714372	5						Screw		(SA8240-01680)
15	VOE11714388	3						Bolt		(SA8240-01700)
16	VOE11714487	10						Bolt		(SA8240-01710)
17	VOE11714377	3						Bolt		(SA8240-01720)
18	VOE14521513	4						Nut		
19	VOE11714383	1						Cap		(SA8210-03240)
20	SA8210-05300	1						Pipe		
21		1					NS	Gasket		
22	VOE14521515	1						Cover		
23	VOE14521516	1						•Sponge		

Date: 2013/12/15	Image id: 1013380	Catalogue: 20218	Model: ECR88
Brand: Volvo	Serial: 14011-	Group/Section: 215/250	Title: Timing gear



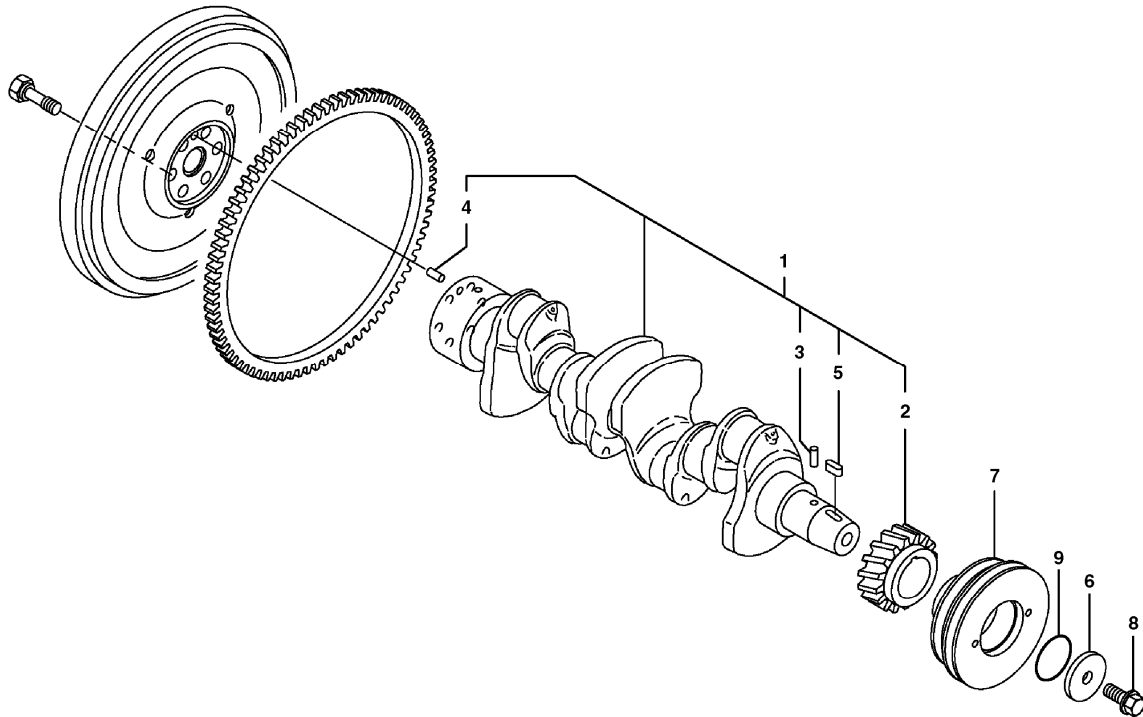
Volvo Construction
Equipment
1013380

Section option	Kit	Option description
VOE8284768		Engine with Epa label EMISSION CERTIFICATED FROM EU&EPA

Q1-Q5	Option	Option description	
Q1 8284768	VOE8284768	Engine with Epa label EMISSION CERTIFICATED FROM EU&EPA	

Pos	Part	Q1	Q2	Q3	Q4	Q5	PS	Kit	Description	Option(s)	Remark
1	VOE14521561	1							Shaft		
2	VOE11714785	1							Gear		
3	SA8210-03700	1							Bushing		
4	VOE11714373	3							Bolt		(SA8240-01730)
5	VOE14521562	4							Bolt		
6	VOE11714787	1							Gear		
7	VOE14525395	1							Flange		
8	VOE11714788	1							Spring Washer		
9	VOE11714789	1							Nut		

Date: 2013/12/15	Image id: 1013381	Catalogue: 20218	Model: ECR88
Brand: Volvo	Serial: 14011-	Group/Section: 216/100	Title: Crankshaft



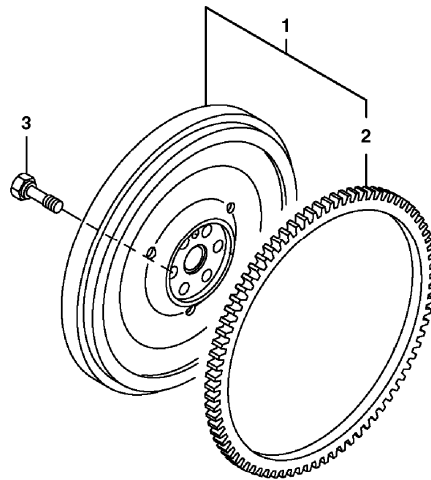
Volvo Construction
Equipment
1013381

Section option	Kit	Option description
VOE8284768		Engine with Epa label EMISSION CERTIFICATED FROM EU&EPA

Q1-Q5	Option	Option description	
Q1 8284768	VOE8284768	Engine with Epa label EMISSION CERTIFICATED FROM EU&EPA	

Pos	Part	Q1	Q2	Q3	Q4	Q5	PS	Kit	Description	Option(s)	Remark
1	VOE14521564	1							Crankshaft		
2	VOE11714790	1							•Crankshaft Gear		
3	VOE11714791	1							•Guide Pin		
4	VOE11714792	1							•Guide Pin		
5	VOE11714468	1							•Key		
6	VOE14509381	1							Washer		
7	VOE14517628	1							Pulley		
8	VOE14517969	1							Bolt		
9	VOE14509382	1							O-ring		

Date: 2013/12/15	Image id: 1013382	Catalogue: 20218	Model: ECR88
Brand: Volvo	Serial: 14011-	Group/Section: 216/200	Title: Flywheel



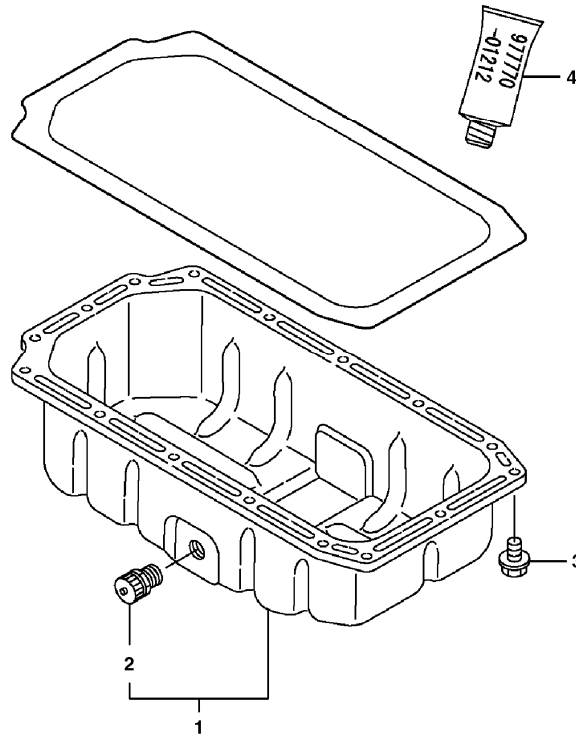
Volvo Construction
Equipment
1013382

Section option	Kit	Option description
VOE8284768		Engine with Epa label EMISSION CERTIFICATED FROM EU&EPA

Q1-Q5	Option	Option description	
Q1 8284768	VOE8284768	Engine with Epa label EMISSION CERTIFICATED FROM EU&EPA	

Pos	Part	Q1	Q2	Q3	Q4	Q5	PS	Kit	Description	Option(s)	Remark
1	VOE15057763	1							Flywheel		
2	VOE11714795	1							•Gear Ring		
3	VOE11714793	6							Screw		(SA8210-02690)

Date: 2013/12/15	Image id: 1013383	Catalogue: 20218	Model: ECR88
Brand: Volvo	Serial: 14011-	Group/Section: 217/100	Title: Oil sump



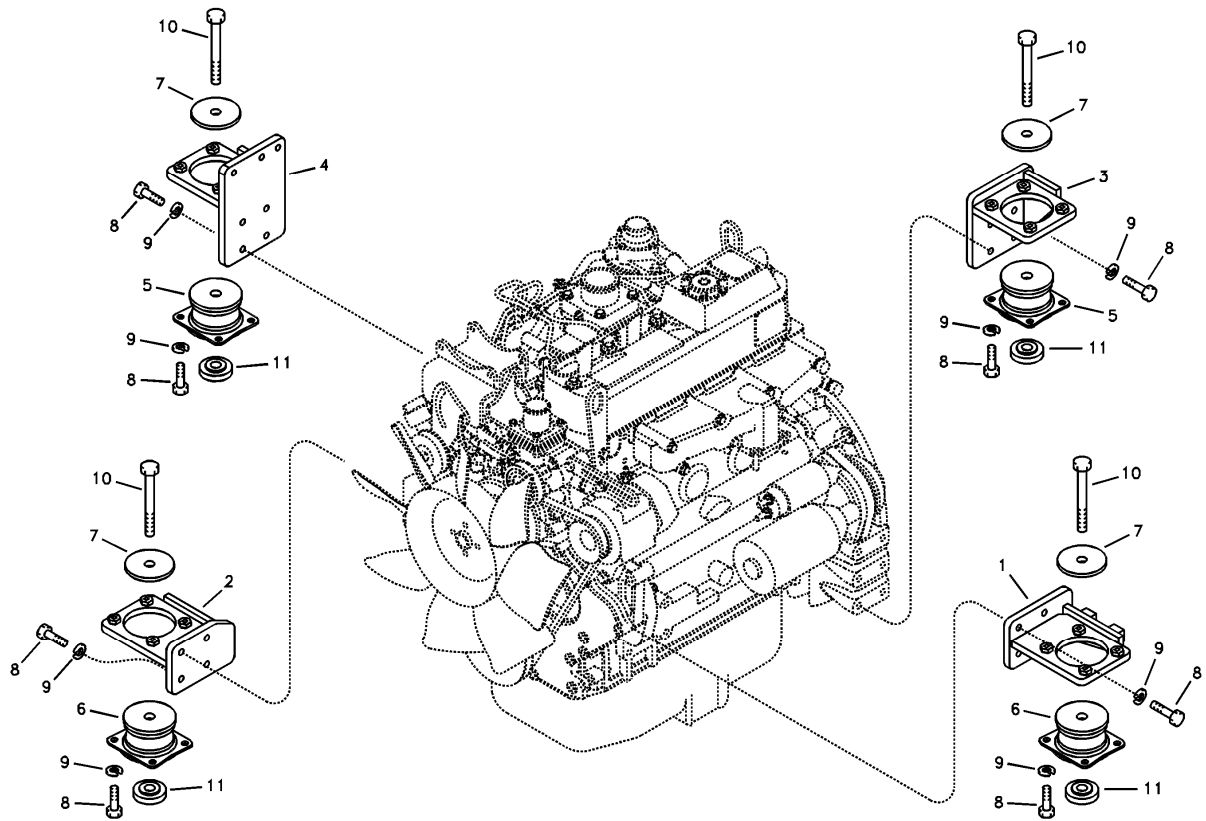
Volvo Construction
Equipment
1013383

Section option	Kit	Option description
VOE8284768		Engine with Epa label EMISSION CERTIFICATED FROM EU&EPA

Q1-Q5	Option	Option description	
Q1 8284768	VOE8284768	Engine with Epa label EMISSION CERTIFICATED FROM EU&EPA	

Pos	Part	Q1	Q2	Q3	Q4	Q5	PS	Kit	Description	Option(s)	Remark
1	VOE14524469	1							Oil Pan		
2	VOE14521185	1							•Valve		
3	VOE11714490	16							Screw		(SA8240-01670)
4		1					NS		Gasket		

Date: 2013/12/15	Image id: 1013384	Catalogue: 20218	Model: ECR88
Brand: Volvo	Serial: 14011-	Group/Section: 218/100	Title: Engine mount



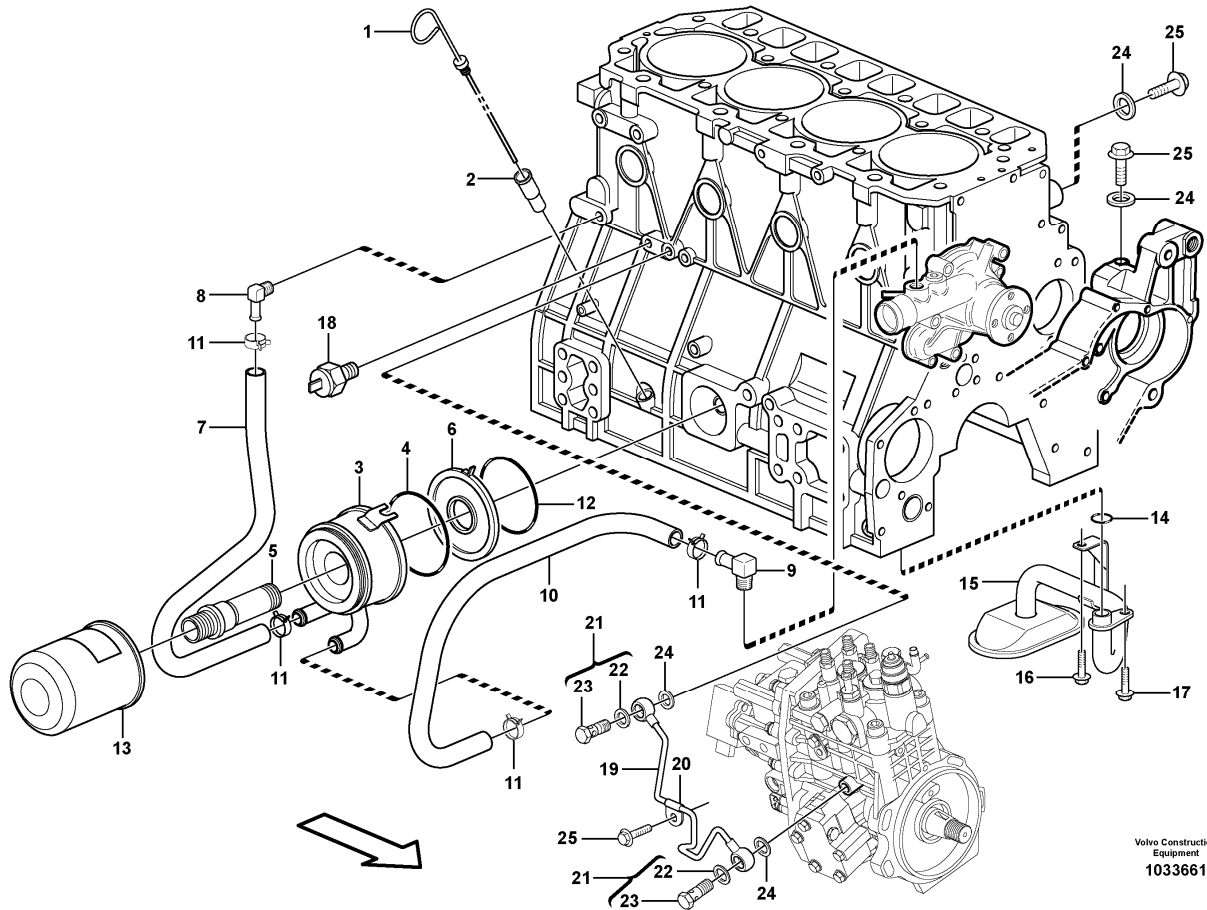
Volvo Construction
Equipment
1013384

Section option	Kit	Option description
VOE8278985		Basic Machine ECR88

Q1-Q5	Option	Option description	
Q1 8278985	VOE8278985	Basic Machine ECR88	

Pos	Part	Q1	Q2	Q3	Q4	Q5	PS	Kit	Description	Option(s)	Remark
1	VOE14526768	1							Bracket		
2	VOE14576221	1							Bracket		
3	VOE14519051	1							Bracket		
4	VOE14526105	1							Bracket		
5	VOE14592731	2							Cushion		(SA1112-30340)
6	VOE14592730	2							Cushion		(SA1112-30350)
7	SA1112-00830	4							Plate		
8	VOE983252	32							Hexagon screw		
9	VOE955922	32							Spring washer		

Date: 2013/12/15	Image id: 1033661	Catalogue: 20218	Model: ECR88
Brand: Volvo	Serial: 14011-	Group/Section: 220/100	Title: Lubricating oil system



Volvo Construction
Equipment
1033661

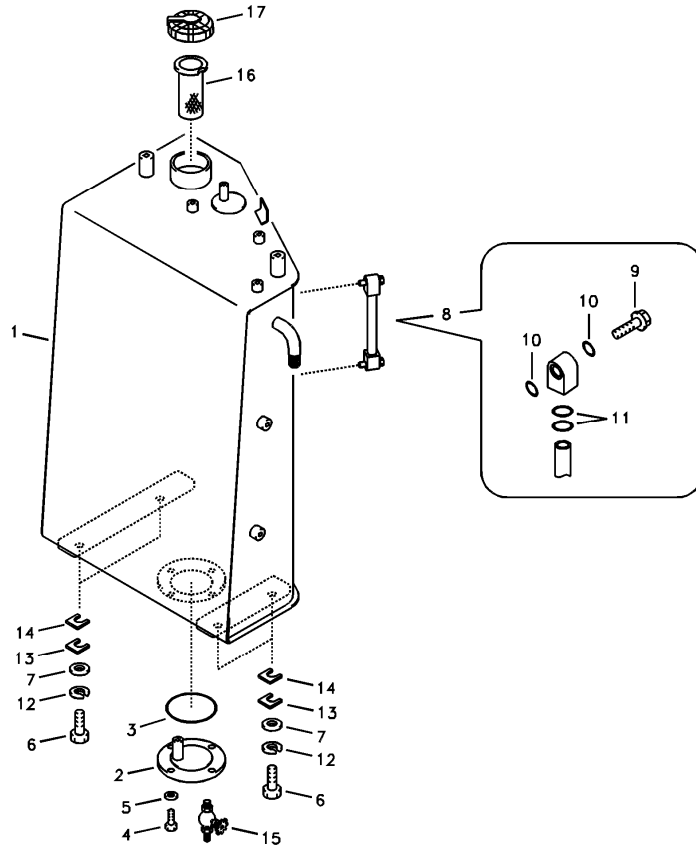
Section option	Kit	Option description
VOE8284768		Engine with Epa label EMISSION CERTIFICATED FROM EU&EPA

Q1-Q5	Option	Option description
Q1 8284768	VOE8284768	Engine with Epa label EMISSION CERTIFICATED FROM EU&EPA

Pos	Part	Q1	Q2	Q3	Q4	Q5	PS	Kit	Description	Option(s)	Remark
1	VOE14543858	1							Dipstick		
2	VOE11715318	1							Dipstick Tube		
3	VOE15057832	1							Oil Cooler		
4	VOE15057833	1							•O-ring		
5	VOE11714852	1							Nipple		
6	VOE11714853	1					NS		Bracket		
7	VOE15057890	1							Hose		
8	VOE11713722	1							Elbow		
9	VOE11714410	1							Elbow nipple		

10	VOE15066037	1							Hose assembly		
11	VOE11714421	4							Hose Clamp		
12	VOE11714892	1							O-ring		
13	VOE15066070	1					SS		Filter		
14	VOE11714738	1							O-ring		
15	VOE14525397	1							Pipe		
16	VOE11714490	1							Screw		
17	VOE11714372	1							Screw		
18	VOE15066081	1							Oil pressure sensor		
19	VOE15066108	1							Pipe		
20	VOE14543860	1							•Support		
21	VOE14521571	2							Hollow Screw		
22	VOE11714476	2							•Seal		
23	SA8210-05600	2							•Bolt		
24	VOE11714476	4							Seal		
25	VOE11714490	3							Screw		

Date: 2013/12/15	Image id: 1015034	Catalogue: 20218	Model: ECR88
Brand: Volvo	Serial: 14011-	Group/Section: 234/100	Title: Fuel tank with fitting parts



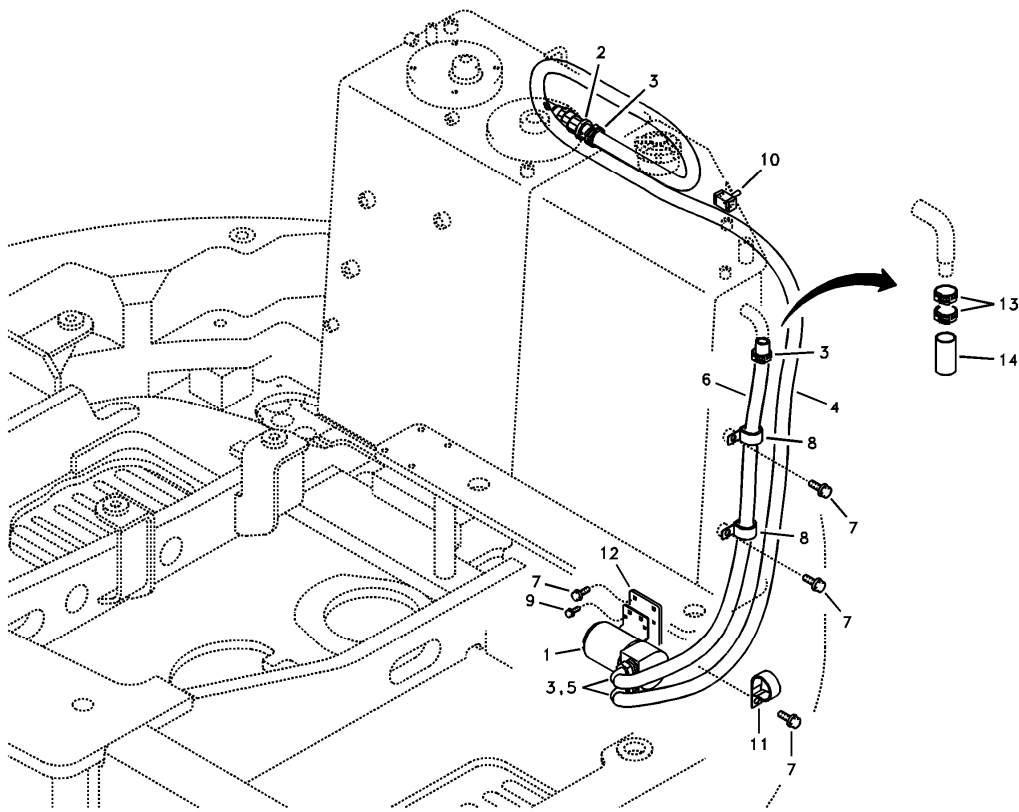
Volvo Construction
Equipment
1015034

Section option	Kit	Option description
VOE8278985		Basic Machine ECR88

Q1-Q5	Option	Option description	
Q1 8278985	VOE8278985	Basic Machine ECR88	

Pos	Part	Q1	Q2	Q3	Q4	Q5	PS	Kit	Description	Option(s)	Remark
1	VOE14588223	1							Tank		
2	VOE14530927	1							•Cover		
3	SA990601	1							•O-ring		
4	VOE983251	4							•Hexagon screw		
5	SA9211-10000	4							•Washer		
6	VOE978933	4							Hexagon screw		
7	VOE955923	4							Spring washer		
8	VOE14539978	1							Gauge		
9	VOE14517557	2							•Bolt		

Date: 2013/12/15	Image id: 1013388	Catalogue: 20218	Model: ECR88
Brand: Volvo	Serial: 14011-	Group/Section: 234/300	Title: Fuel filling pump



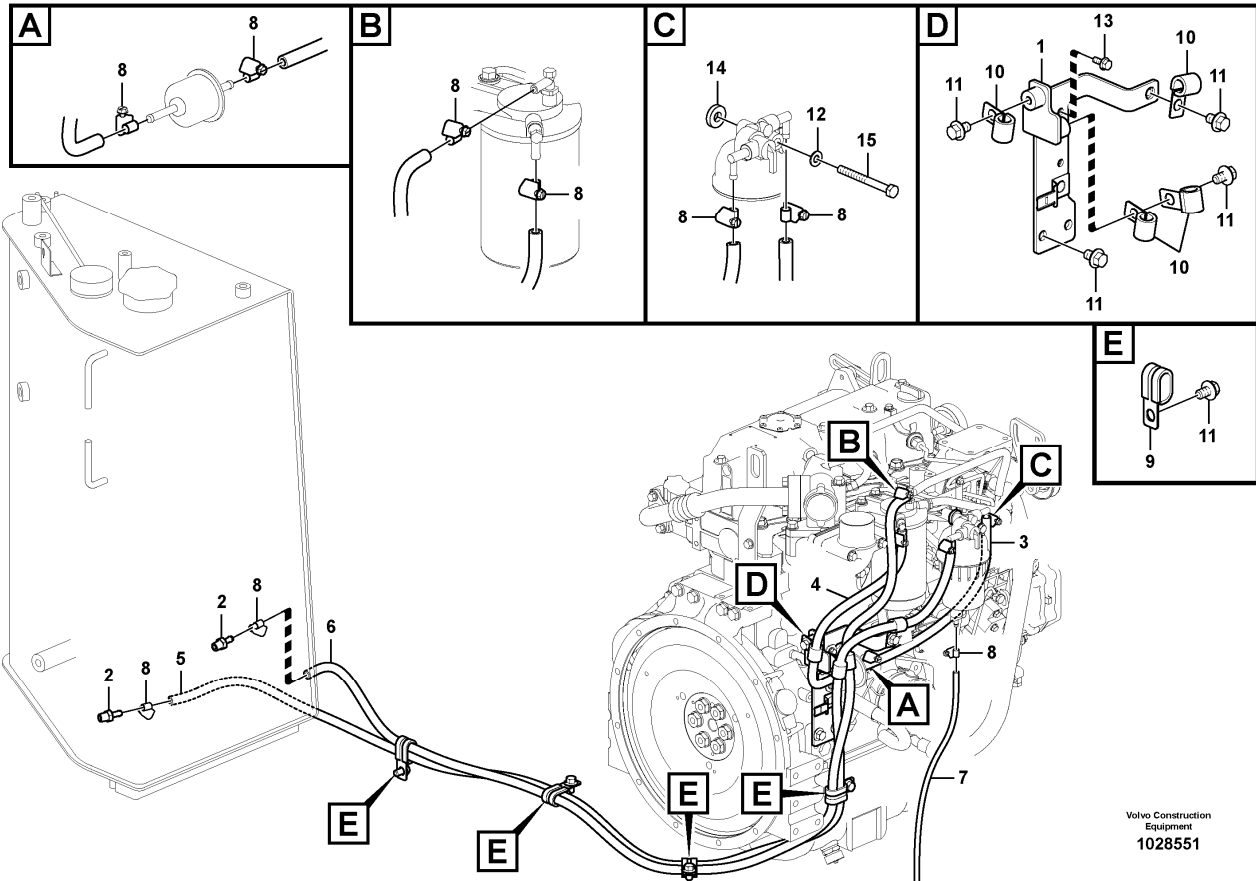
Volvo Construction
Equipment
1013388

Section option	Kit	Option description
VOE8279152		Fuel filling pump, not equipped with
VOE8279370		Fuel filling pump 35LPM

Q1-Q5	Option	Option description	
Q1 8279152	VOE8279152	Fuel filling pump, not equipped with	
Q2 8279370	VOE8279370	Fuel filling pump 35LPM	

Pos	Part	Q1	Q2	Q3	Q4	Q5	PS	Kit	Description	Option(s)	Remark
1			1						Fuel Fill Pump		
	VOE14517821	1							•Fuel filling pump		
2	VOE14517753		1						•Valve		
3	VOE14517754		4						•Clip		
4	VOE14547766		1						•Hose		
5	VOE14517748		2						•Adapter		
6	VOE14543971		1						•Hose		

Date: 2013/12/15	Image id: 1028551	Catalogue: 20218	Model: ECR88
Brand: Volvo	Serial: 14011-	Group/Section: 235/100	Title: Fuel pipe - Fuel tank



Volvo Construction
Equipment
1028551

Section option	Kit	Option description
VOE8284768		Engine with Epa label EMISSION CERTIFICATED FROM EU&EPA

Q1-Q5	Option	Option description
Q1 8284768	VOE8284768	Engine with Epa label EMISSION CERTIFICATED FROM EU&EPA

Pos	Part	Q1	Q2	Q3	Q4	Q5	PS	Kit	Description	Option(s)	Remark
1	VOE14568285	1							Bracket		
2	VOE14519083	2							Connector		
3	VOE14881086	1							Fuel hose		
4	VOE14881086	1							Fuel hose		
5	VOE14881089	1							Fuel hose		
6	VOE14881188	1							Fuel hose		
7	VOE14881822	1							Connector		
8	SA9312-00004	9							Clamp		
9	VOE14512153	4							Clip		

Thank you so much for reading.
Please click the “Buy Now!”
button below to download the
complete manual.



After you pay.

You can download the most
perfect and complete manual in
the world immediately.

Our support email:

ebooklibonline@outlook.com