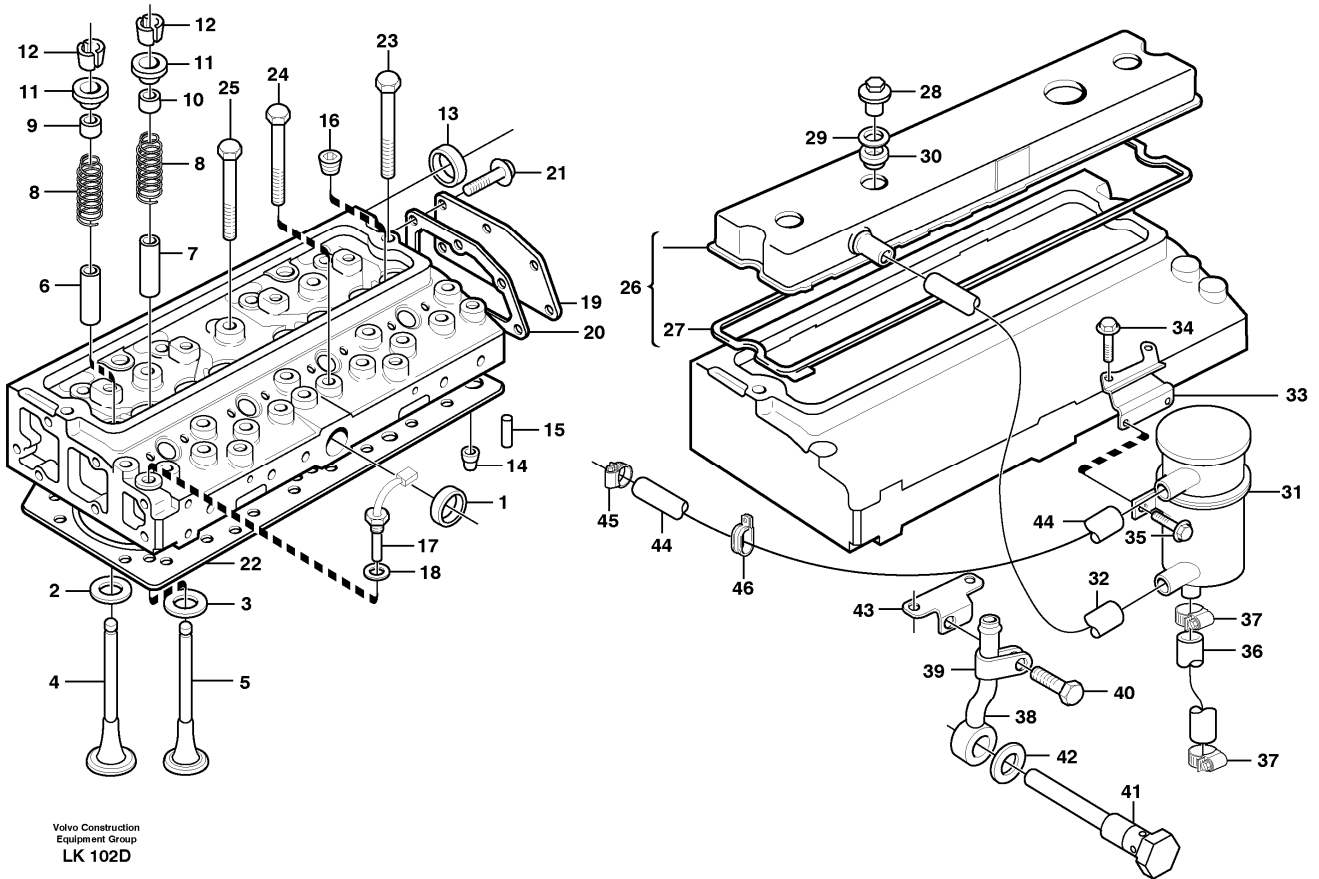
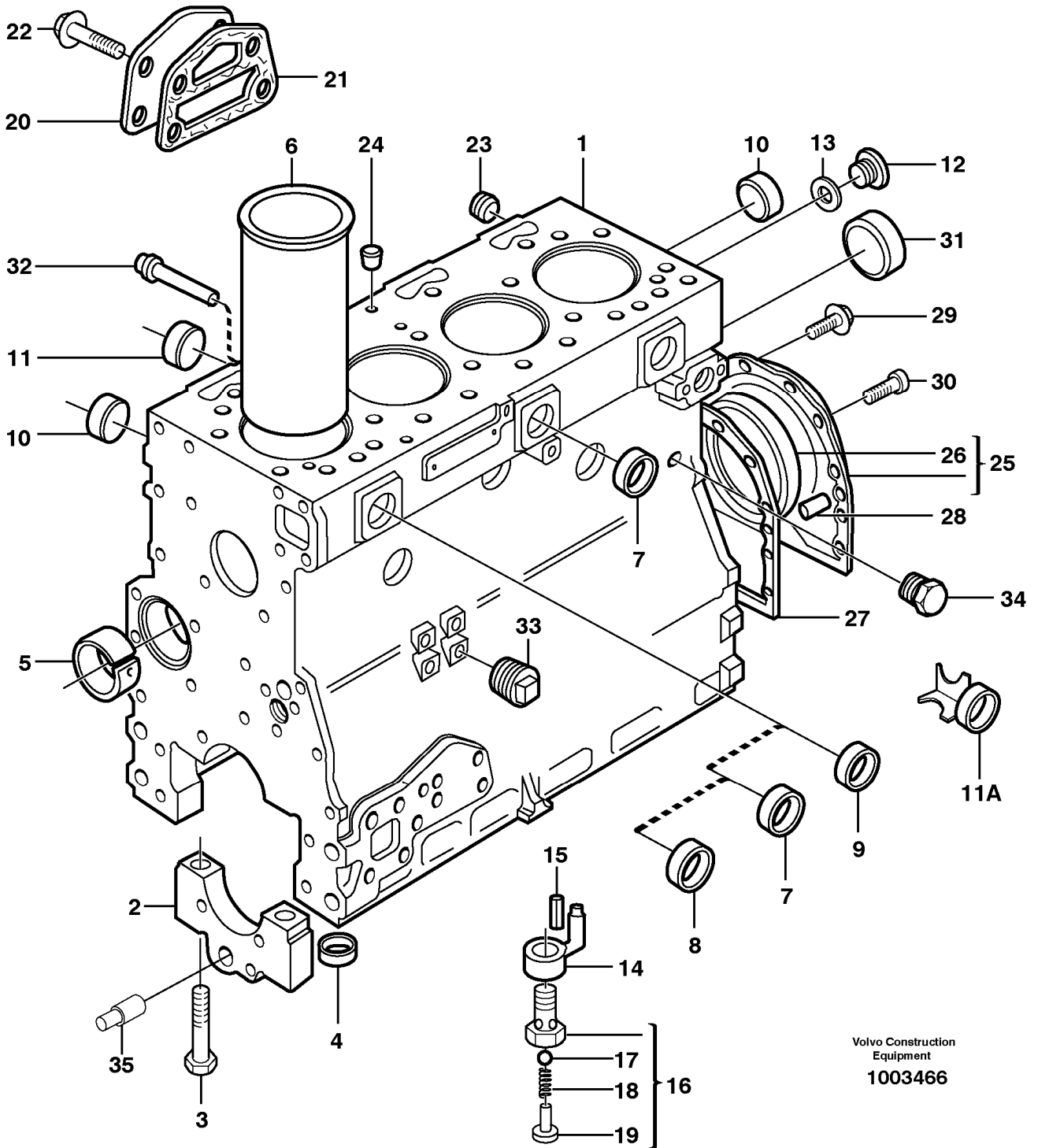


Date: 2013/9/24	Image id: LK102D	Catalogue: 99530	Model: EW160
Brand: Volvo	Serial: 1001-1912	Group/Section: 211/100	Title: Cylinder head



Pos	Part	Q1	Q2	Q3	Q4	Q5	PS	Kit	Description	Option(s)	Remark
	VOE11706970	1							Cylinder head		(VOE11704236)
1	VOE483898	1							•Plug		
2	VOE3976534	4							•Valve seat		
3	VOE3976535	4							•Valve seat		
4	VOE3976536	4							•Valve		
5	VOE11703878	4							•Exhaust valve		
6	VOE11709760	4					SS		•Valve guide		(VOE3976537)
7	VOE11706969	4							•Valve guide		(VOE3976729)
8	VOE3976538	8							•Valve spring		(VOE11703876)
9	VOE11703877	4							•Valve seal		
10	VOE11703879	4							•Valve seal		
11	VOE3976540	8							•Valve spring washer		
12	VOE3976541	16							•Valve sleeve		
13	VOE11997807	1							Plug		

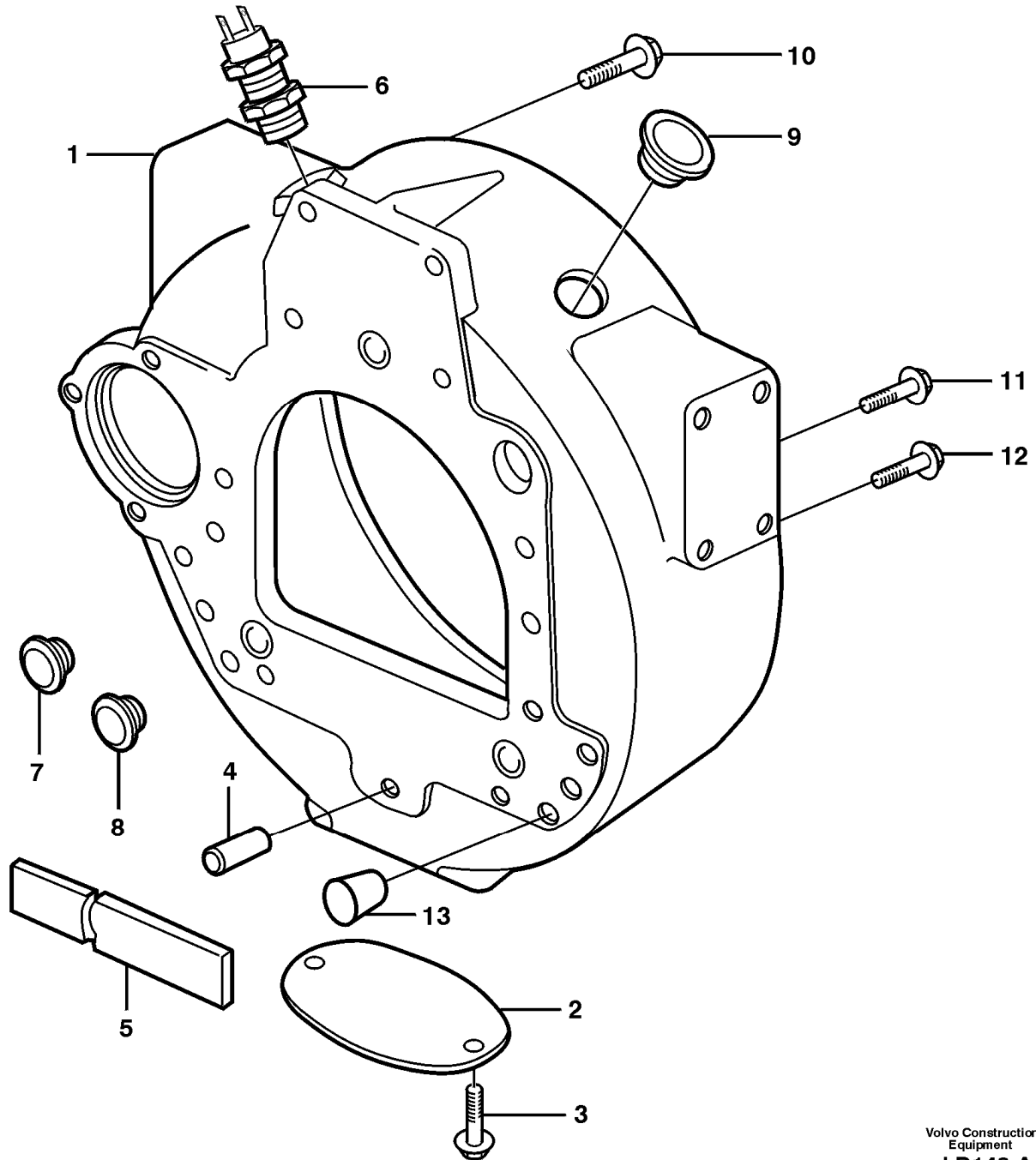
Date: 2013/9/24	Image id: 1003466	Catalogue: 99530	Model: EW160
Brand: Volvo	Serial: 1001-1912	Group/Section: 212/100	Title: Cylinder block



Pos	Part	Q1	Q2	Q3	Q4	Q5	PS	Kit	Description	Option(s)	Remark
1	VOE11704870	1					SS		Cylinder block		

2		5					NS		•Bearing carrier		
3	VOE6210370	10							•Screw		
4	VOE483302	10							•Guide sleeve		
5	VOE3976506	1							•Bushing		
6		4							•Cylinder liner		See ref 213/100
7	VOE483898	6							•Plug		
8	VOE11700782	1							•Plug		
9	VOE11997805	1							•Plug		
10	VOE11997807	6							•Plug		
11	VOE3976594	3							•Plug		
11A	VOE11709818	1							•Plug		ENG U201724H -
12	VOE11997843	1							•Plug		
13	VOE11997810	1							•Washer		
14	VOE11714691	4							•Nozzle		(VOE3976817)
15	VOE11997816	1							••Dowel		
16	VOE11997817	4							•Valve		
17	VOE11997818	1							••Ball		
18	VOE11997819	1							••Spring		
19	VOE11997820	1							••Retainer		
20	VOE11700781	1					NS		•Cover		
21	VOE11998009	1							•Gasket		(VOE11998163)
22	VOE11998031	4							•Screw		
23	VOE968147	1							•Plug		
24	VOE483645	1							Plug		
25	VOE11998999	1							Cover		ENG - U176356H
26	VOE6212971	1							•Sealing ring		
	VOE11709507	1							Crankshaft seal		ENG U176357H -
	VOE11709508	1							Wear sleeve		ENG U176357H -
27	VOE11706327	1							Gasket		(VOE11997013)
28	VOE480219	2							Pin		
29	VOE13946173	12							Screw		
30	VOE11997812	2							Screw		
31	VOE3976749	1							Plug		
32	VOE11997808	1							Plug		
33	VOE7016325	1							Plug		
34	VOE482291	2							Plug		
35	VOE11988321	1							Shaft		

Date: 2013/9/24	Image id: LD148A	Catalogue: 99530	Model: EW160
Brand: Volvo	Serial: 1001-1912	Group/Section: 212/200	Title: Flywheel housing

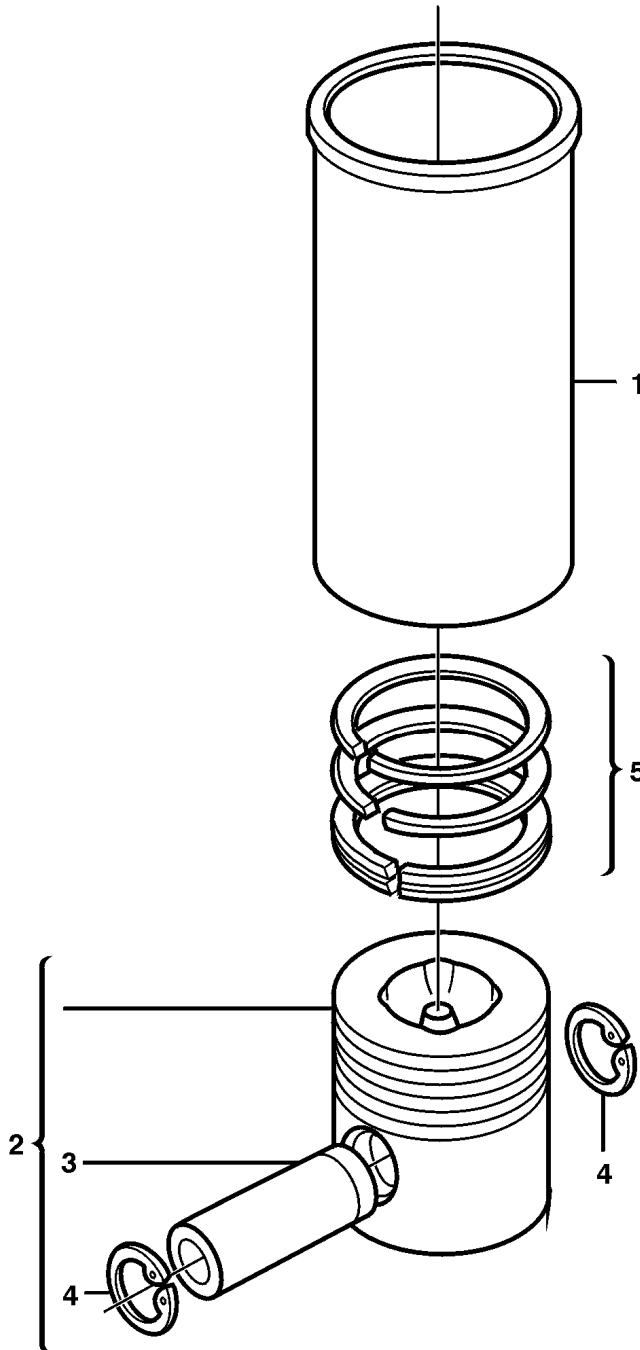


Volvo Construction
Equipment
LD148 A

Pos	Part	Q1	Q2	Q3	Q4	Q5	PS	Kit	Description	Option(s)	Remark
1	VOE11705304	1							Flywheel housing		

2		1					NS		Plate		
3	VOE13965175	2							Screw		
4	VOE483449	2							Pin		
5	VOE6211401	1							Gasket		(VOE11702569)
6	VOE14370484	1							Induction sensor		B5
7	VOE11709238	1							Plug		(VOE11702143)
8	VOE11705305	1							Plug		
9	VOE11997943	1							Plug		
10	VOE13965191	2							Screw		
11	VOE11701723	6					SS		Screw		
12	VOE946471	3							Flange screw		
13	VOE11701655	6							Plug		

Date: 2013/9/24	Image id: LD149	Catalogue: 99530	Model: EW160
Brand: Volvo	Serial: 1001-1912	Group/Section: 213/100	Title: Cylinder liner and piston

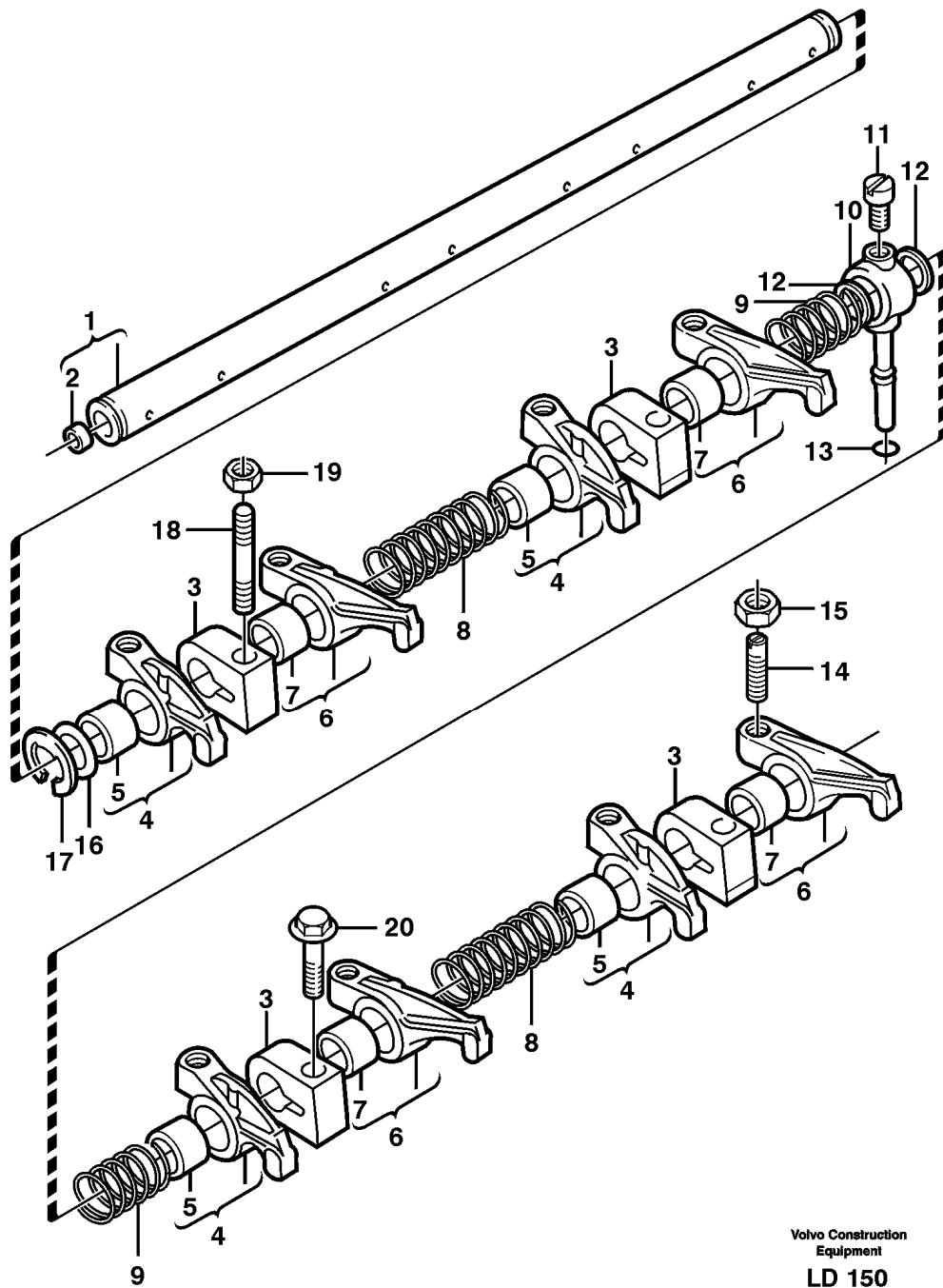


Volvo Construction
Equipment
LD149

Pos	Part	Q1	Q2	Q3	Q4	Q5	PS	Kit	Description	Option(s)	Remark
1	VOE11998997	4							Cylinder Liner		

2	VOE3976526	4						Piston Kit		(VOE11703873)
3		4					NS	•Piston pin		
4	VOE11998877	8						•Snap Ring		
5	VOE3976736	4						Piston Ring Kit		

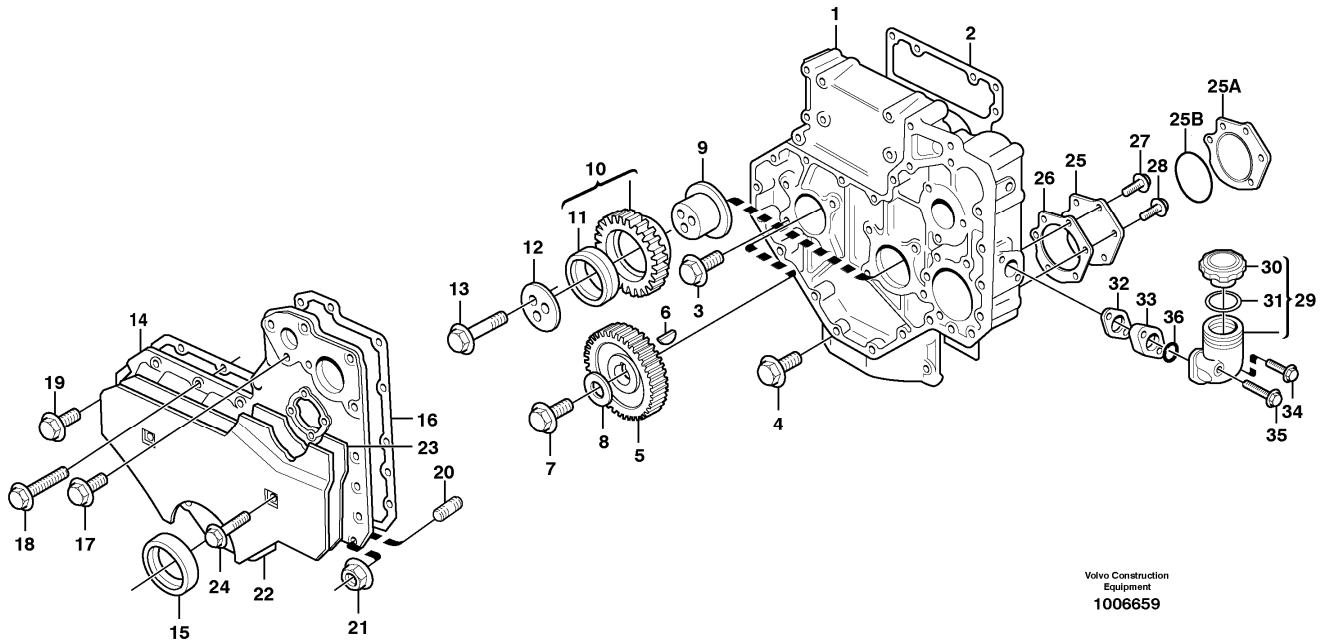
Date: 2013/9/24	Image id: LD150	Catalogue: 99530	Model: EW160
Brand: Volvo	Serial: 1001-1912	Group/Section: 214/100	Title: Valve mechanism



Pos	Part	Q1	Q2	Q3	Q4	Q5	PS	Kit	Description	Option(s)	Remark
1	VOE3976548	1							Rocker Arm Shaft		

2	VOE6613201	2							•Plug		
3	VOE11997850	4							Bearing Bracket		
4	VOE11703882	4							Rocker Arm		
5	VOE11988424	4							•Bushing		(VOE3976738)
6	VOE11703883	4					SS		Rocker Arm		
7	VOE11988424	4							•Bushing		(VOE3976738)
8	VOE483363	2							Spring		
9	VOE483364	2							Spring		
10	VOE11997853	1							Pipe		
11	VOE11997854	1							Screw		
12	VOE11997855	2							Shim		
13	VOE483510	1							Sealing ring		
14	VOE3976859	8							Stud		(VOE6616717)
15	VOE940175	8							Nut		
16	VOE11703884	2							Washer		
17	VOE483470	2							Lock Ring		
18	VOE11997857	3							Stud		
19	VOE13971096	3							Flange nut		
20	VOE11997858	1							Screw		

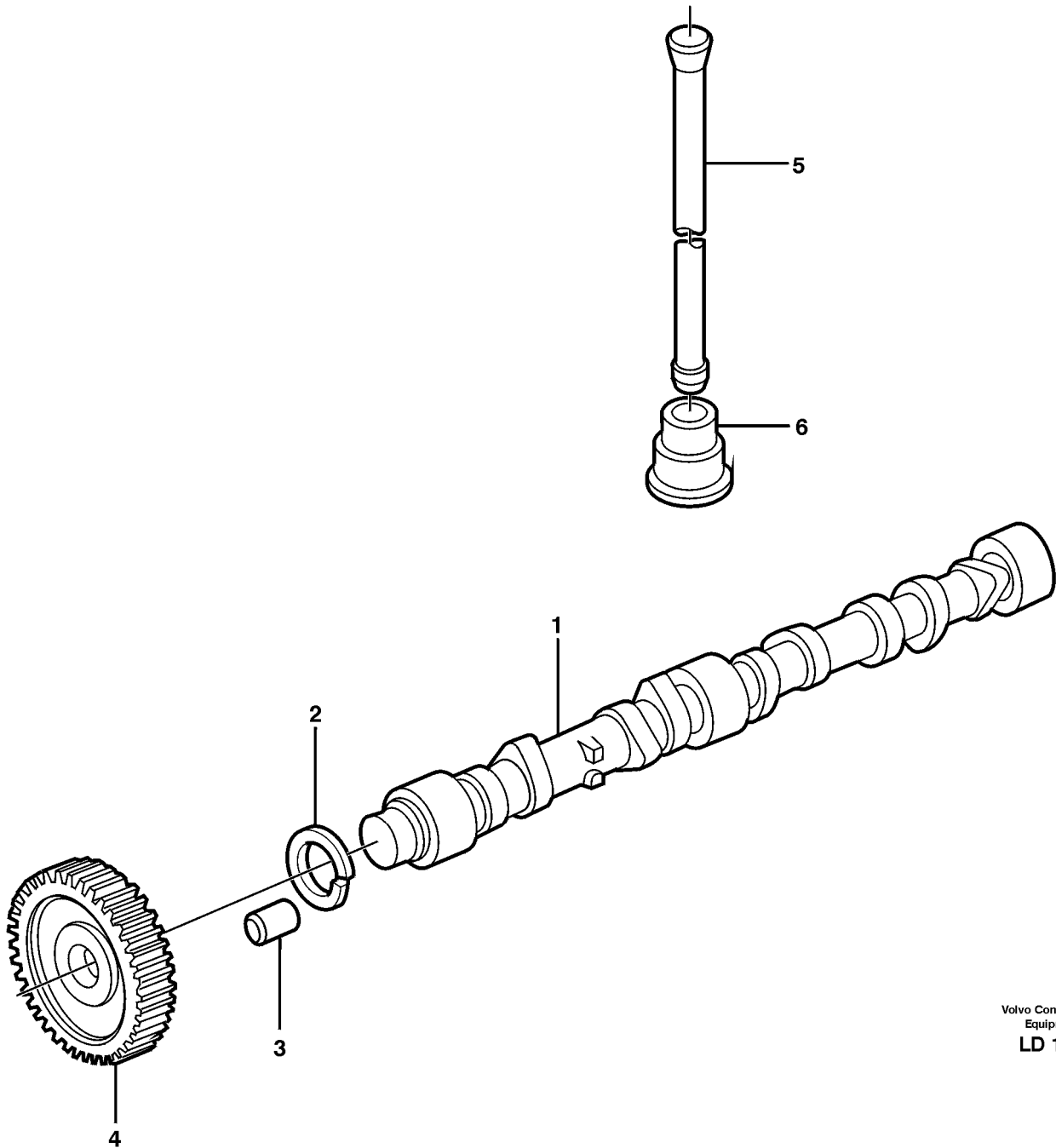
Date: 2013/9/24	Image id: 1006659	Catalogue: 99530	Model: EW160
Brand: Volvo	Serial: 1001-1912	Group/Section: 215/100	Title: Timing gear casing



Pos	Part	Q1	Q2	Q3	Q4	Q5	PS	Kit	Description	Option(s)	Remark
1	VOE15017034	1							Timing gear casing		(VOE11703885)
	VOE11708981	1							Plug		
2	VOE11711203	1							Gasket		(VOE11997879)
3	VOE13946173	8							Screw		
4	VOE13945444	4							Screw		
5	VOE11700783	1							Gear		
6	VOE483448	1							Key		
7	VOE11701555	1							Screw		
8	VOE11997885	1							Washer		
9	VOE6642825	1							Hub		
10	VOE11997886	1							Gear		
11	VOE6642824	1							•Bearing Bushing		
12	VOE11701556	1					SS		Plate		
13	VOE13965187	3							Screw		
14	VOE11707751	1					SS		Cover		(VOE11703887)
15	VOE6212928	1							Sealing ring		
16	VOE11988377	1							Gasket		(VOE11703888)
17	VOE13965181	6							Screw		
18	VOE13945444	1							Screw		
19	VOE946671	7							Flange screw		(VOE11997901)
20	VOE11997915	2							Stud		
21	VOE13945408	2							Nut		

22	VOE3976562	1						Noise shield		
23	VOE3976563	1						Sound absorber		
24	VOE945358	2						Flange screw		(VOE13945358)
25	VOE11709021	1						Cover		(VOE11703637)E PROD
26	VOE11998164	1						Gasket		E PROD
25A	VOE11709021	1						Cover		L PROD
25B	VOE11709022	1						•O-ring		L PROD
27	VOE11703644	5						Screw		
28	VOE946441	1						Flange screw		
29	VOE11703905	1						Housing		
30	VOE11701706	1						•Cap		
31	VOE11999028	1						••O-ring		
32	VOE11997997	2						Gasket		
33	VOE11707643	1						Spacer		(VOE11703906)
34	VOE13965181	1						Screw		
35	VOE11997968	1						Screw		
36	VOE11999029	1						O-ring		

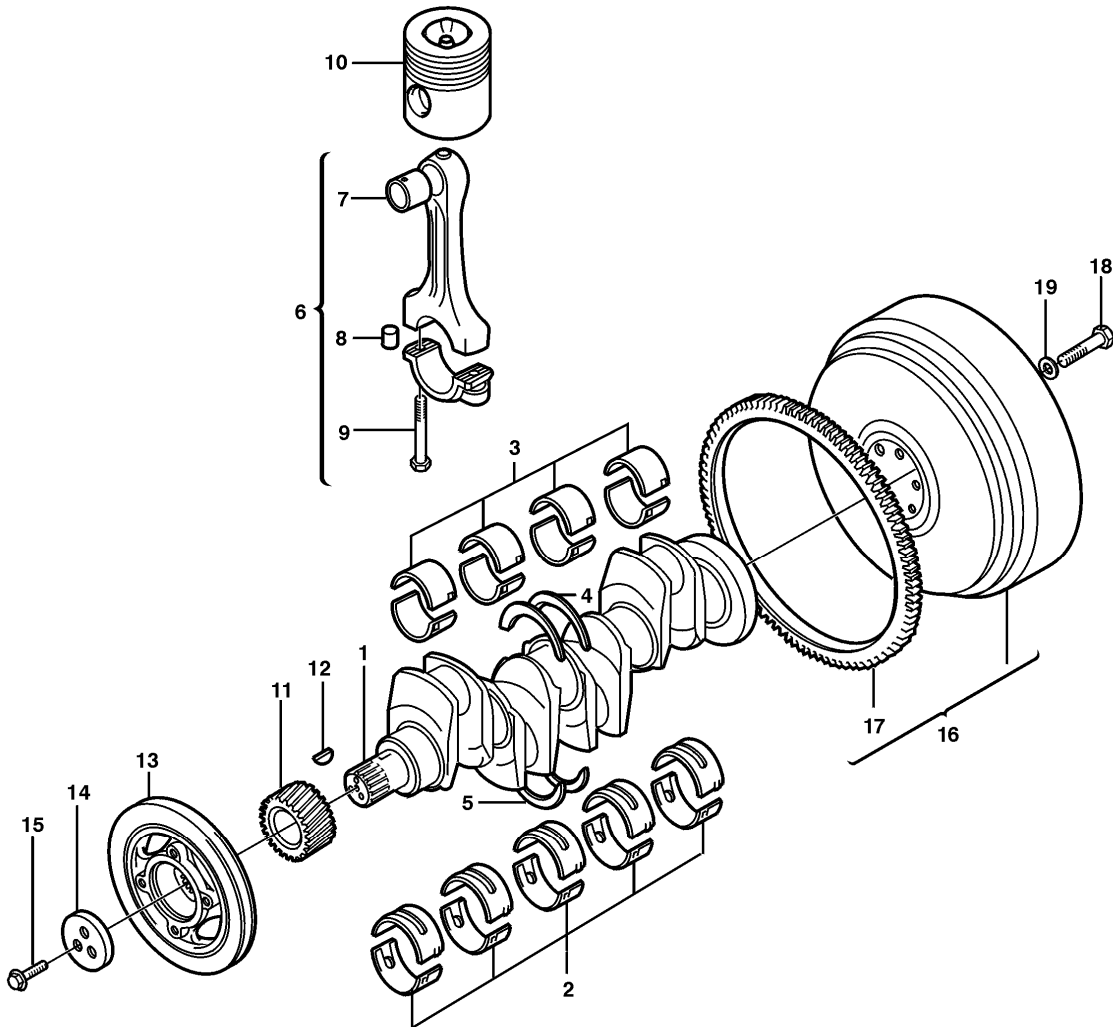
Date: 2013/9/24	Image id: LD152	Catalogue: 99530	Model: EW160
Brand: Volvo	Serial: 1001-1912	Group/Section: 215/200	Title: Camshaft



Volvo Construction
Equipment
LD 152

Pos	Part	Q1	Q2	Q3	Q4	Q5	PS	Kit	Description	Option(s)	Remark
1	VOE11703886	1							Camshaft		
2	VOE11997882	1							Washer		

Date: 2013/9/24	Image id: LD153	Catalogue: 99530	Model: EW160
Brand: Volvo	Serial: 1001-1912	Group/Section: 216/100	Title: Crankshaft and related parts

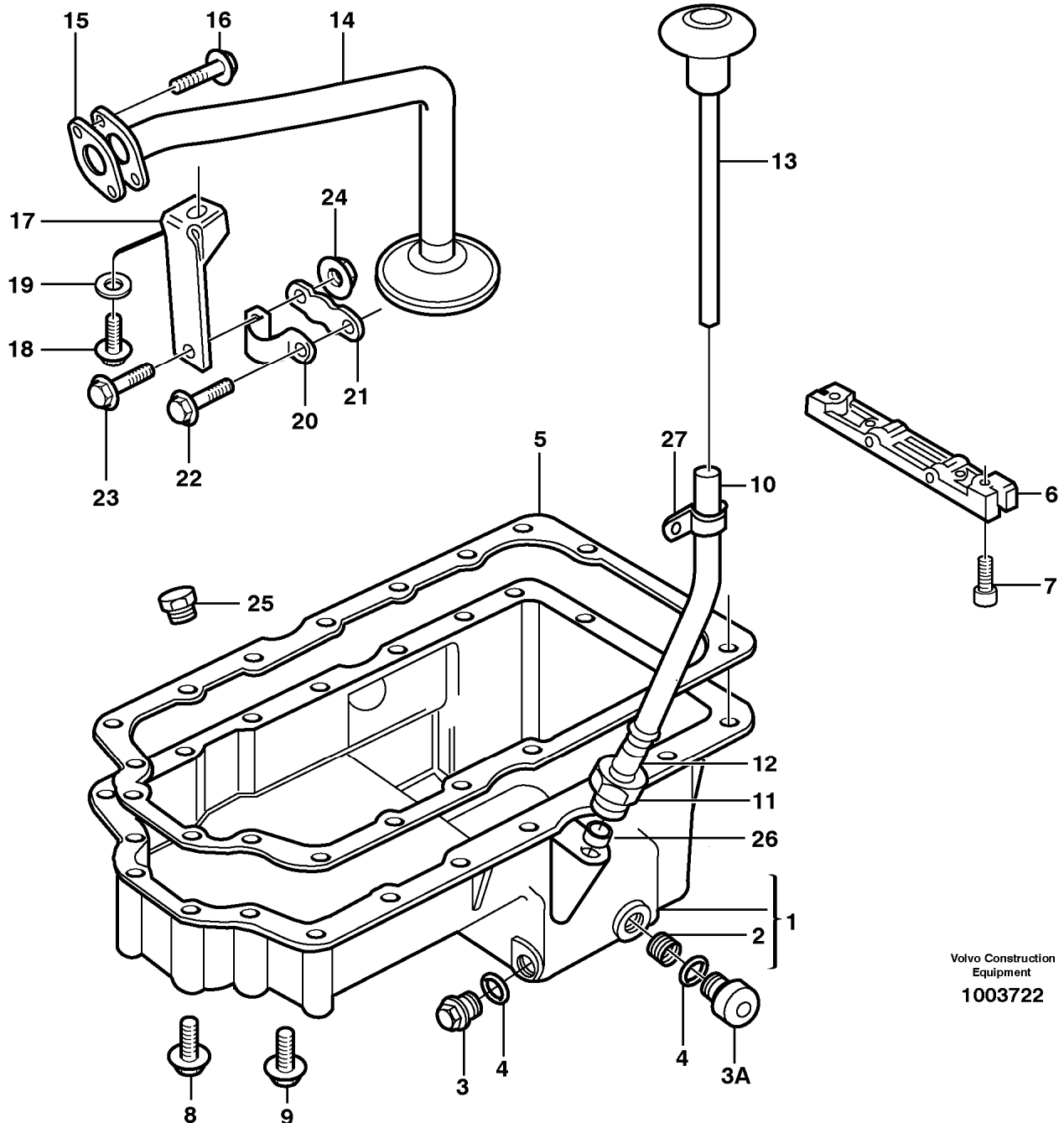


Volvo Construction
Equipment
LD153

Pos	Part	Q1	Q2	Q3	Q4	Q5	PS	Kit	Description	Option(s)	Remark
1	VOE11994472	1					SS		Crankshaft		
2	VOE483350	1							Mn Bearing Kit		STD SZ
	VOE483351	1							Mn Bearing Kit		0,25MM U SZ
	VOE483352	1							Mn Bearing Kit		0,50MM U SZ
	VOE483353	1							Mn Bearing Kit		0,75MM U SZ
3	VOE11997824	1							Big End Brg Kit		STD SZ
	VOE11997825	1							Big End Brg Kit		0,25MM U SZ
	VOE11997826	1							Big End Brg Kit		0,50MM U SZ
	VOE11997827	1							Big End Brg Kit		0,75MM U SZ
4	VOE483336	2							Thrust Washer		STD SZ

	VOE483338	2							Thrust Washer		0,19MM O SZ
5	VOE483337	2							Thrust Washer		STD SZ
	VOE483339	2							Thrust Washer		0,19MM O SZ
6	VOE11703872	4					SS		Connecting Rod Kit		
7	VOE3976525	4							•Bushing		
8	VOE11999005	8							•Socket		
9	VOE11999004	8							•Screw		
10		4							Piston kit		See ref 213/100
11	VOE11997833	1							Gear		
12	VOE483448	1							Key		
13	VOE11707258	1							Pulley		
14	VOE11997970	1							Block		
15	VOE11997971	3							Screw		
16	VOE11705274	1							Flywheel		
17	VOE11997947	1							•Gear Ring		
18	VOE11997945	6							Bolt		
19	VOE11997946	6							Washer		

Date: 2013/9/24	Image id: 1003722	Catalogue: 99530	Model: EW160
Brand: Volvo	Serial: 1001-1912	Group/Section: 217/100	Title: Oil sump

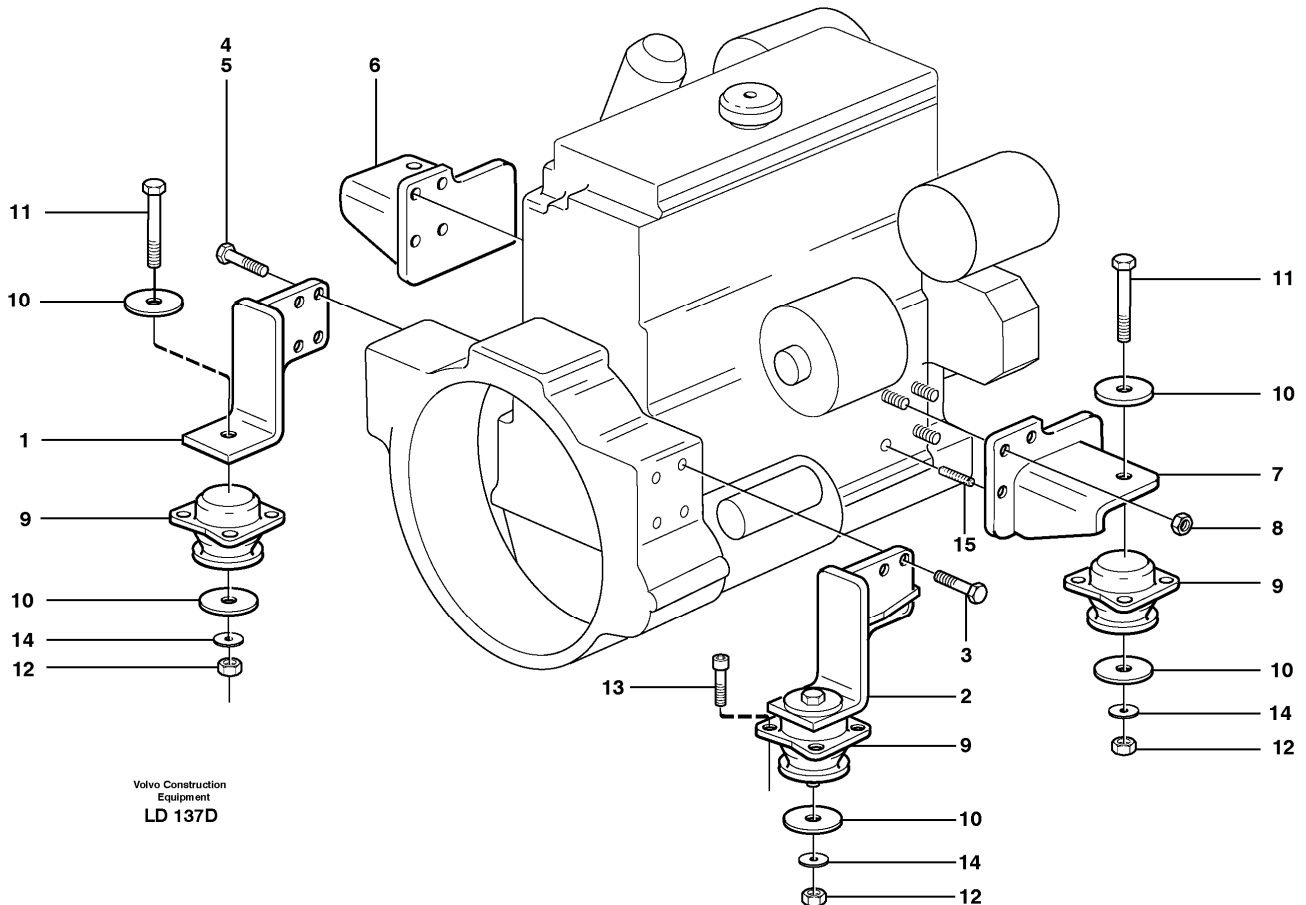


Volvo Construction
Equipment
1003722

Pos	Part	Q1	Q2	Q3	Q4	Q5	PS	Kit	Description	Option(s)	Remark
1	VOE11712585	1							Oil pan		(VOE11997039)
2	VOE11997987	1							•Insert sleeve		
3	VOE11997973	1							Plug		
3A	VOE11707546	1							Quick Coupling		

4	VOE11997974	2							O-ring		
5	VOE11997979	1							Gasket		
6	VOE11701581	1							Bridge		
7	VOE940326	2							Allen Hd Screw		
8	VOE11997968	6							Screw		
9	VOE13946173	14							Screw		
10	VOE11705371	1							Dipstick tube		
11		1					NS		•Nut		
12	VOE11997985	1							O-ring		
13	VOE11705372	1							Dipstick		
14	VOE11997040	1							Oil pipe		
15	VOE11707068	1							Gasket		(VOE11701582)
16	VOE13947760	2							Screw		
17	VOE11997041	1							Bracket		
18	VOE946440	1							Flange screw		
19	VOE6639370	1							Washer		
20	VOE11997043	1							Clamp		
21	VOE11997042	1							Plate		
22	VOE13946544	1							Screw		
23	VOE13965175	1							Screw		
24	VOE11998120	2							Nut		
25	VOE11997975	1							Plug		
26	VOE11997985	1							O-ring		
27	VOE11997045	1							Clamp		

Date: 2013/9/24	Image id: LD137D	Catalogue: 99530	Model: EW160
Brand: Volvo	Serial: 1001-1912	Group/Section: 218/100	Title: Engine mounting



Pos	Part	Q1	Q2	Q3	Q4	Q5	PS	Kit	Description	Option(s)	Remark
1	VOE14370791	1							Retainer		
2	VOE14370792	1							Retainer		
3	VOE13965191	4							Flange screw		
4	VOE13965191	1							Flange screw		L = 35MM
5	VOE965225	3							Flange screw		L = 40MM
6	VOE14370793	1							Retainer		
7	VOE14370794	1							Retainer		
8	VOE13971096	8							Flange nut		
9	VOE14370226	4							Rubber cushion		(VOE14341188)
10	VOE14370795	8					SS		Washer		
11	VOE5231649	4							Hexagon screw		
12	VOE14371258	4							Flange Lock Nut		
13	VOE14371995	16							Lock Screw		
14	VOE13955900	4							Washer		
15	VOE11998146	8							Stud		

Thank you so much for reading.
Please click the “Buy Now!”
button below to download the
complete manual.



After you pay.

You can download the most
perfect and complete manual in
the world immediately.

Our support email:

ebooklibonline@outlook.com