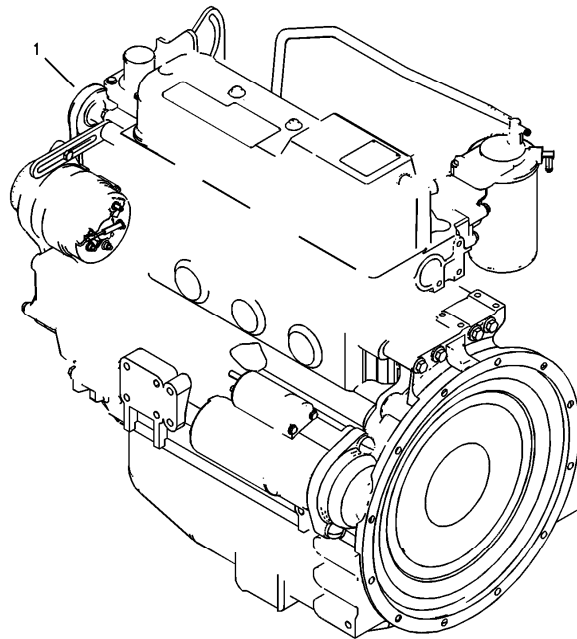


| | | | |
|----------------------------|-------------------------------|----------------------------------|-------------------------|
| Date: 2013/12/12 | Image id: 1006949 | Catalogue: 20020 | Model: EW55B |
| Brand: Volvo | Serial: 30001-99999 | Group/Section: 210/100 | Title: Engine |



Volvo Construction
Equipment
1006949

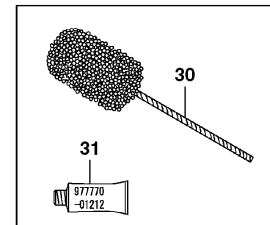
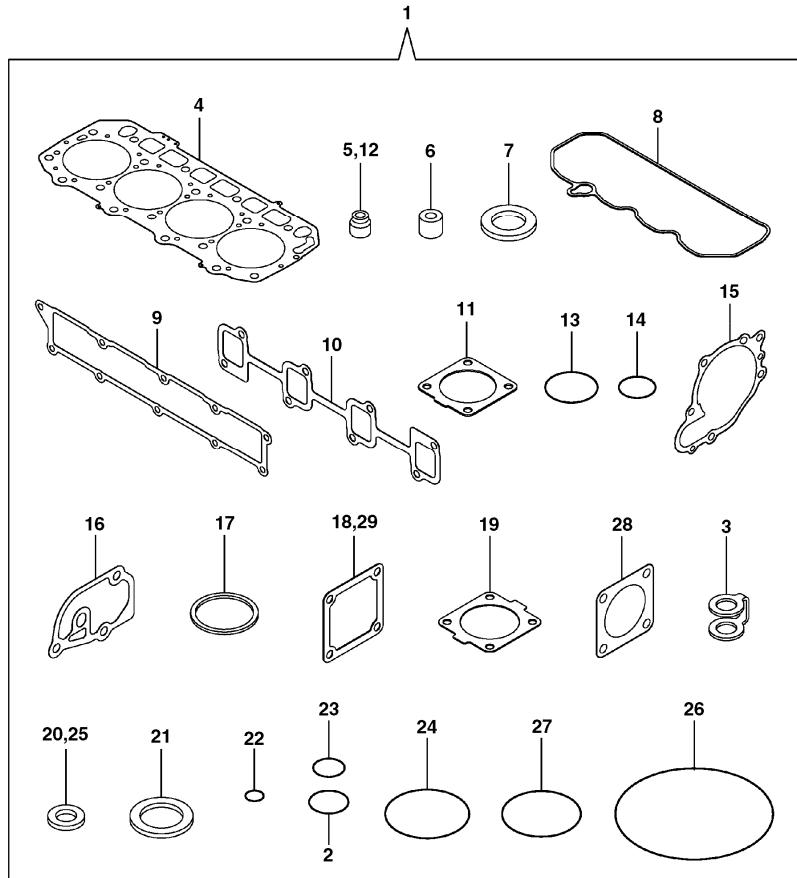
| Section option | Kit | Option description |
|----------------|-----|--|
| VOE8278942 | | Engine without Epa label INT AND KOREAN MARKET |
| VOE8278943 | | Engine with Epa label EMISSION CERTIFICATED FROM EPA |

| Q1-Q5 | Option | Option description | |
|------------|------------|--|--|
| Q1 8278942 | VOE8278942 | Engine without Epa label INT AND KOREAN MARKET | |
| Q2 8278943 | VOE8278943 | Engine with Epa label EMISSION CERTIFICATED FROM EPA | |

| Pos | Part | Q1 | Q2 | Q3 | Q4 | Q5 | PS | Kit | Description | Option(s) | Remark |
|-----|-------------|----|----|----|----|----|----|-----|-------------|-----------|-----------------------------------|
| 1 | VOE14517964 | 1 | | | | | SS | | Engine | | WITHOUT LABELS SER NO 30001-30335 |
| | VOE14533404 | 1 | | | | | OP | | Engine | | SER NO 30336-30433 |
| | VOE14575307 | 1 | | | | | | | Engine | | SER NO 30434- |
| | VOE14520350 | | 1 | | | | SS | | Engine | | WITH EPA LABEL SER NO 30001-30335 |
| | VOE14533405 | | 1 | | | | OP | | Engine | | SER NO 30336-30433 |

| | | | | | | | | | | |
|--|-------------|--|---|--|--|--|--|--------|--|---------------|
| | VOE14575306 | | 1 | | | | | Engine | | SER NO 30434- |
|--|-------------|--|---|--|--|--|--|--------|--|---------------|

| | | | |
|----------------------------|-------------------------------|----------------------------------|---|
| Date: 2013/12/12 | Image id: 1006950 | Catalogue: 20020 | Model: EW55B |
| Brand: Volvo | Serial: 30001-99999 | Group/Section: 210/200 | Title: Repair kits for engine |



Volvo Construction
Equipment
1006950

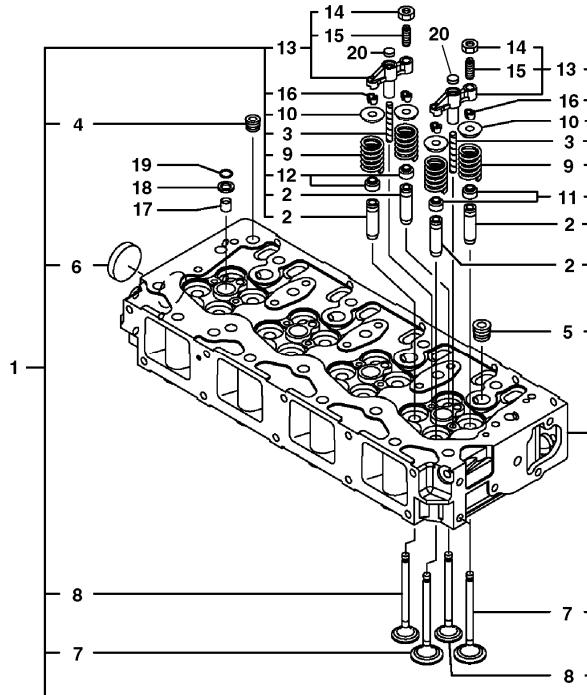
| Section option | Kit | Option description |
|----------------|-----|--|
| VOE8278942 | | Engine without Epa label INT AND KOREAN MARKET |
| VOE8278943 | | Engine with Epa label EMISSION CERTIFICATED FROM EPA |

| Q1-Q5 | Option | Option description | |
|------------|------------|--|--|
| Q1 8278942 | VOE8278942 | Engine without Epa label INT AND KOREAN MARKET | |
| Q2 8278943 | VOE8278943 | Engine with Epa label EMISSION CERTIFICATED FROM EPA | |

| Pos | Part | Q1 | Q2 | Q3 | Q4 | Q5 | PS | Kit | Description | Option(s) | Remark |
|-----|--------------|----|----|----|----|----|----|-----|-------------|-----------|---------------|
| 1 | VOE14521640 | 1 | 1 | | | | | | Gasket | | OPTIONAL PART |
| 2 | VOE14521588 | 1 | 1 | | | | | | •O-ring | | |
| 3 | VOE14521606 | 5 | 5 | | | | | | •Gasket | | |
| 4 | VOE14617016 | 1 | 1 | | | | | | •Gasket | | (VOE14521505) |
| 5 | VOE14521527 | 8 | 8 | | | | | | •Valve seal | | |
| 6 | VOE14521532 | 4 | 4 | | | | | | •Protection | | |
| 7 | SA8210-08770 | | | | | | SS | | •Seat | | |

| | | | | | | | | | | | |
|----|--------------|---|---|--|--|--|--|--|-----------------|--|---------------------------------|
| 8 | VOE14521552 | 1 | 1 | | | | | | •Gasket | | |
| 9 | VOE14521554 | 1 | 1 | | | | | | •Gasket | | |
| 10 | VOE11714737 | 1 | 1 | | | | | | •Gasket | | (SA8210-04570) |
| 11 | VOE14520599 | 1 | 1 | | | | | | •Gasket | | |
| 12 | VOE14521528 | 8 | 8 | | | | | | •Valve seal | | |
| 13 | VOE11714738 | 2 | 2 | | | | | | •O-ring | | (SA8210-04770) |
| 14 | VOE11714739 | 1 | 1 | | | | | | •O-ring | | (SA8210-04780) |
| 15 | SA8210-04820 | 1 | 1 | | | | | | •Gasket | | |
| 16 | SA8210-04840 | 1 | 1 | | | | | | •Gasket | | |
| 17 | VOE11714740 | 1 | 1 | | | | | | •Gasket | | (SA8210-02790) |
| 18 | VOE11714741 | 1 | 1 | | | | | | •Gasket | | (SA8210-02840) |
| 19 | SA8210-02780 | 1 | 1 | | | | | | •Gasket | | |
| 20 | VOE11714477 | 3 | 3 | | | | | | •Gasket | | (SA8210-05580) |
| 21 | VOE11714478 | 2 | 2 | | | | | | •Gasket | | (SA8210-03370) |
| 22 | SA8210-08860 | 1 | 1 | | | | | | •O-ring | | |
| 23 | VOE11714386 | 8 | 8 | | | | | | •O-ring | | (SA8210-08870) |
| 24 | VOE11714371 | 3 | 3 | | | | | | •O-ring | | (SA8210-08880) |
| 25 | VOE11714476 | 7 | 7 | | | | | | •Sealing washer | | (SA8240-01020) |
| 26 | VOE14509382 | 1 | 1 | | | | | | •O-ring | | |
| 27 | VOE14521512 | 1 | 1 | | | | | | •Wrapping | | |
| 28 | VOE14521514 | 1 | 1 | | | | | | •Gasket | | |
| 29 | VOE11714827 | 1 | 1 | | | | | | •Gasket | | (SA8210-01870) |
| 30 | VOE14521641 | 1 | 1 | | | | | | Brush | | OPTIONAL PART |
| 31 | VOE14543857 | 1 | 1 | | | | | | Gasket | | (SA8240-02760) OPTIONAL PART |

| | | | |
|----------------------------|-------------------------------|----------------------------------|--------------------------------|
| Date: 2013/12/12 | Image id: 1006951 | Catalogue: 20020 | Model: EW55B |
| Brand: Volvo | Serial: 30001-99999 | Group/Section: 211/100 | Title: Cylinder head |



Volvo Construction
Equipment
1006951

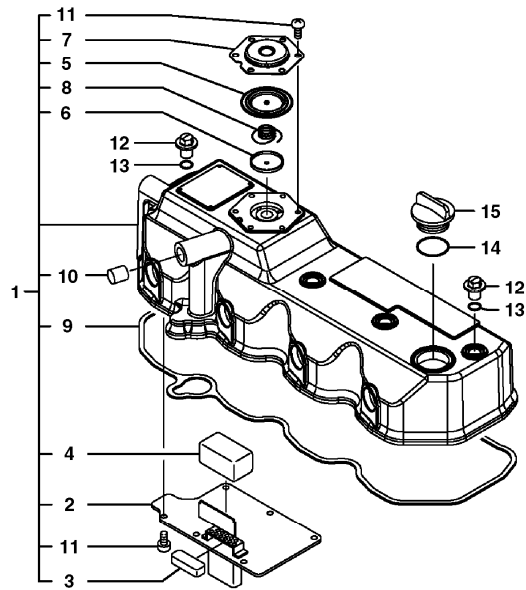
| Section option | Kit | Option description |
|----------------|-----|--|
| VOE8278942 | | Engine without Epa label INT AND KOREAN MARKET |
| VOE8278943 | | Engine with Epa label EMISSION CERTIFICATED FROM EPA |

| Q1-Q5 | Option | Option description | |
|------------|------------|--|--|
| Q1 8278942 | VOE8278942 | Engine without Epa label INT AND KOREAN MARKET | |
| Q2 8278943 | VOE8278943 | Engine with Epa label EMISSION CERTIFICATED FROM EPA | |

| Pos | Part | Q1 | Q2 | Q3 | Q4 | Q5 | PS | Kit | Description | Option(s) | Remark |
|-----|-------------|----|----|----|----|----|----|-----|---------------|-----------|----------------|
| 1 | VOE14521519 | 1 | 1 | | | | | | Cylinder head | | |
| 2 | VOE14521520 | 16 | 16 | | | | SS | | •Guide | | |
| 3 | VOE14521521 | 8 | 8 | | | | | | •Guide | | |
| 4 | VOE14521522 | 1 | 1 | | | | | | •Plug | | |
| 5 | VOE14521504 | 4 | 4 | | | | | | •Plug | | |
| 6 | VOE11714379 | 1 | 1 | | | | | | •Plug | | (SA8210-05840) |
| 7 | VOE14521523 | 8 | 8 | | | | | | •Inlet valve | | INT |

| | | | | | | | | | | | |
|----|--------------|----|----|--|--|--|----|--|----------------|--|----------------|
| 8 | VOE14521524 | 8 | 8 | | | | | | •Exhaust valve | | EXH |
| 9 | VOE14521525 | 16 | 16 | | | | | | •Valve spring | | |
| 10 | VOE14521526 | 16 | 16 | | | | | | •Retainer | | |
| 11 | VOE14521527 | 8 | 8 | | | | | | •Valve seal | | |
| 12 | VOE14521528 | 8 | 8 | | | | | | •Valve seal | | |
| 13 | VOE14521529 | 8 | 8 | | | | | | •Valve guide | | |
| 14 | VOE11714380 | 8 | 8 | | | | | | ••Nut | | (SA8210-03680) |
| 15 | VOE14521530 | 8 | 8 | | | | | | ••Screw | | |
| 16 | VOE14521531 | 16 | 16 | | | | | | •Valve cone | | |
| 17 | VOE14521532 | 4 | 4 | | | | | | Protection | | |
| 18 | SA8210-08770 | 4 | 4 | | | | SS | | Seat | | |
| 19 | VOE11714386 | 4 | 4 | | | | | | O-ring | | (SA8210-08870) |
| 20 | VOE14521518 | 8 | 8 | | | | | | Seat | | |

| | | | |
|----------------------------|-------------------------------|----------------------------------|------------------------------|
| Date: 2013/12/12 | Image id: 1006952 | Catalogue: 20020 | Model: EW55B |
| Brand: Volvo | Serial: 30001-99999 | Group/Section: 211/200 | Title: Valve cover |



Volvo Construction
Equipment
1006952

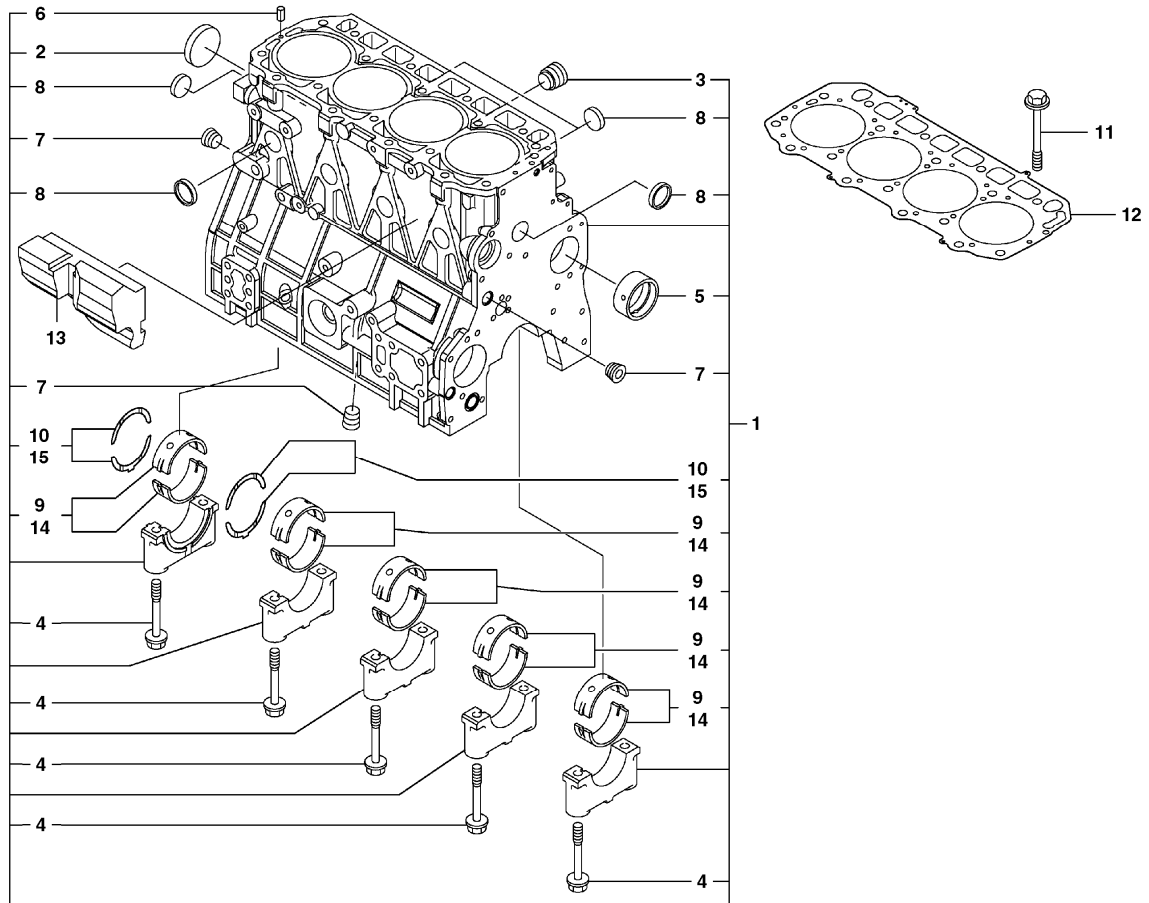
| Section option | Kit | Option description |
|----------------|-----|--|
| VOE8278942 | | Engine without Epa label INT AND KOREAN MARKET |
| VOE8278943 | | Engine with Epa label EMISSION CERTIFICATED FROM EPA |

| Q1-Q5 | Option | Option description | |
|------------|------------|--|--|
| Q1 8278942 | VOE8278942 | Engine without Epa label INT AND KOREAN MARKET | |
| Q2 8278943 | VOE8278943 | Engine with Epa label EMISSION CERTIFICATED FROM EPA | |

| Pos | Part | Q1 | Q2 | Q3 | Q4 | Q5 | PS | Kit | Description | Option(s) | Remark |
|-----|-------------|----|----|----|----|----|----|-----|-------------|-----------|--------|
| 1 | VOE14521544 | 1 | 1 | | | | SS | | Cover | | |
| 2 | VOE14521545 | 1 | 1 | | | | | | •Plate | | |
| 3 | VOE14521546 | 1 | 1 | | | | | | •Baffle | | |
| 4 | VOE14521547 | 1 | 1 | | | | | | •Baffle | | |
| 5 | VOE14521548 | 1 | 1 | | | | | | •Diaphragm | | |
| 6 | VOE14521549 | 1 | 1 | | | | | | •Plate | | |
| 7 | VOE14521550 | 1 | 1 | | | | | | •Plate | | |

| | | | | | | | | | | | |
|----|--------------|----|----|--|--|--|--|--|----------------|--|----------------|
| 8 | VOE14521551 | 1 | 1 | | | | | | •Spring | | |
| 9 | VOE14521552 | 1 | 1 | | | | | | •Gasket | | |
| 10 | VOE14521553 | 1 | 1 | | | | | | •Plug | | |
| 11 | SA8210-08850 | 12 | 12 | | | | | | •Screw | | |
| 12 | VOE11714385 | 4 | 4 | | | | | | Flange cap nut | | (SA8210-03250) |
| 13 | VOE11714386 | 4 | 4 | | | | | | O-ring | | (SA8210-08870) |
| 14 | VOE11714371 | 1 | 1 | | | | | | O-ring | | (SA8210-08880) |
| 15 | VOE11714383 | 1 | 1 | | | | | | Cap | | (SA8210-03240) |

| | | | |
|----------------------------|-------------------------------|----------------------------------|---------------------------------|
| Date: 2013/12/12 | Image id: 1006953 | Catalogue: 20020 | Model: EW55B |
| Brand: Volvo | Serial: 30001-99999 | Group/Section: 212/100 | Title: Cylinder block |



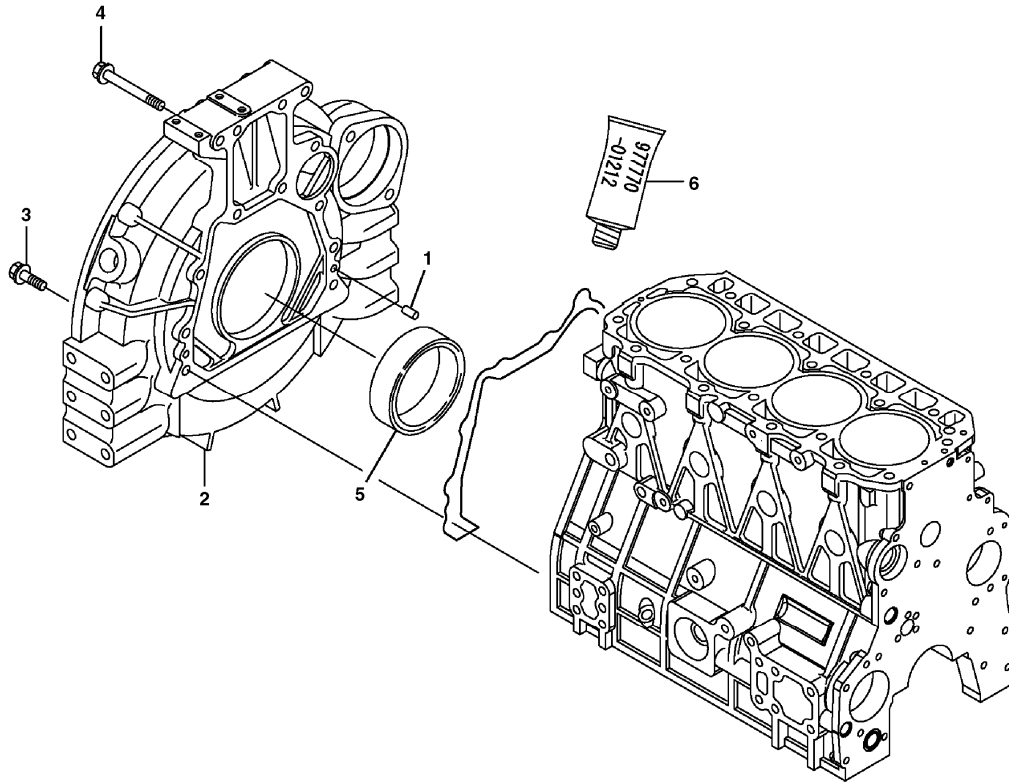
| Section option | Kit | Option description |
|----------------|-----|--|
| VOE8278942 | | Engine without Epa label INT AND KOREAN MARKET |
| VOE8278943 | | Engine with Epa label EMISSION CERTIFICATED FROM EPA |

| Q1-Q5 | Option | Option description | |
|------------|------------|--|--|
| Q1 8278942 | VOE8278942 | Engine without Epa label INT AND KOREAN MARKET | |
| Q2 8278943 | VOE8278943 | Engine with Epa label EMISSION CERTIFICATED FROM EPA | |

| Pos | Part | Q1 | Q2 | Q3 | Q4 | Q5 | PS | Kit | Description | Option(s) | Remark |
|-----|--------------|----|----|----|----|----|----|-----|----------------|-----------|----------------|
| 1 | VOE15067547 | 1 | 1 | | | | | | Cylinder block | | (VOE14521502) |
| 2 | VOE14521503 | 1 | 1 | | | | | | •Plug | | |
| 3 | SA8210-05320 | 1 | 1 | | | | SS | | •Plug | | |
| 4 | VOE11714756 | 10 | 10 | | | | | | •Screw | | (SA8210-04340) |
| 5 | VOE11714757 | 1 | 1 | | | | | | •Bushing | | (SA8210-04360) |
| 6 | VOE11714387 | 2 | 2 | | | | | | •Spring pin | | (SA8240-01340) |
| 7 | VOE14521504 | 3 | 3 | | | | | | •Plug | | |

| | | | | | | | | | | | |
|----|--------------|----|----|--|--|--|----|--|----------------|--|----------------------------|
| 8 | VOE11714369 | 8 | 8 | | | | | | •Plug | | (SA8210-06750) |
| 9 | SA8210-04370 | 5 | 5 | | | | SS | | •Bearing | | |
| 10 | VOE15057699 | 2 | 2 | | | | | | •Thrust washer | | (SA8210-04380) |
| 11 | VOE11714759 | 18 | 18 | | | | | | Screw | | (SA8210-04270) |
| 12 | VOE14617016 | 1 | 1 | | | | | | Gasket | | (VOE14521505) |
| 13 | VOE14521506 | 1 | 1 | | | | | | Spacer | | |
| 14 | VOE11714760 | 5 | 5 | | | | | | Main bearing | | (SA8210-04350)0.25 U SZ |
| 15 | VOE11714761 | 2 | 2 | | | | | | Thrust washer | | (SA8210-04390)0.25 O SZ |

| | | | |
|----------------------------|-------------------------------|----------------------------------|-----------------------------------|
| Date: 2013/12/12 | Image id: 1006954 | Catalogue: 20020 | Model: EW55B |
| Brand: Volvo | Serial: 30001-99999 | Group/Section: 212/300 | Title: Flywheel housing |



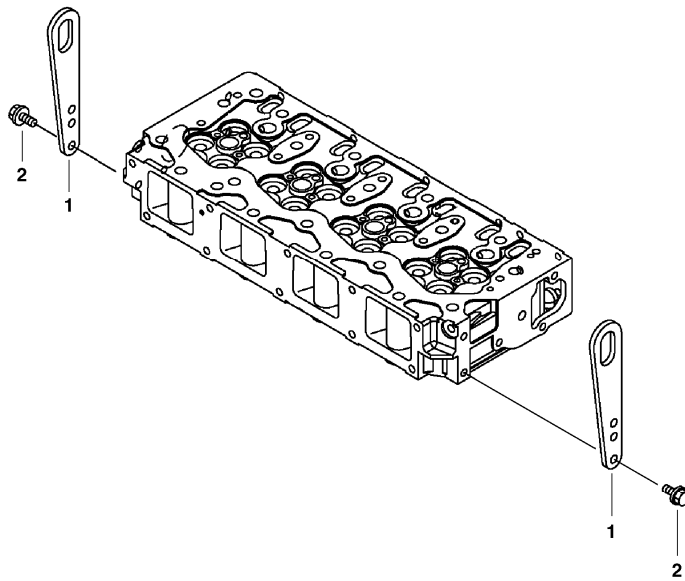
Volvo Construction
Equipment
1006954

| Section option | Kit | Option description |
|----------------|-----|--|
| VOE8278942 | | Engine without Epa label INT AND KOREAN MARKET |
| VOE8278943 | | Engine with Epa label EMISSION CERTIFICATED FROM EPA |

| Q1-Q5 | Option | Option description | |
|------------|------------|--|--|
| Q1 8278942 | VOE8278942 | Engine without Epa label INT AND KOREAN MARKET | |
| Q2 8278943 | VOE8278943 | Engine with Epa label EMISSION CERTIFICATED FROM EPA | |

| Pos | Part | Q1 | Q2 | Q3 | Q4 | Q5 | PS | Kit | Description | Option(s) | Remark |
|-----|-------------|----|----|----|----|----|----|-----|------------------|-----------|---------------------------------|
| 1 | VOE11714376 | 2 | 2 | | | | | | Pin | | (SA8210-03530) |
| 2 | VOE11714762 | 1 | 1 | | | | | | Flywheel housing | | (SA8210-04290) |
| 3 | VOE11714763 | 9 | 9 | | | | | | Screw | | (SA8240-01980) |
| 4 | VOE11714764 | 4 | 4 | | | | | | Screw | | (SA8240-01990) |
| 5 | VOE14514458 | 1 | 1 | | | | | | Seal | | |
| 6 | VOE14543857 | 1 | 1 | | | | | | Gasket | | (SA8240-02760) OPTIONAL PART |

| | | | |
|----------------------------|-------------------------------|----------------------------------|------------------------------|
| Date: 2013/12/12 | Image id: 1006955 | Catalogue: 20020 | Model: EW55B |
| Brand: Volvo | Serial: 30001-99999 | Group/Section: 212/500 | Title: Lifting eye |



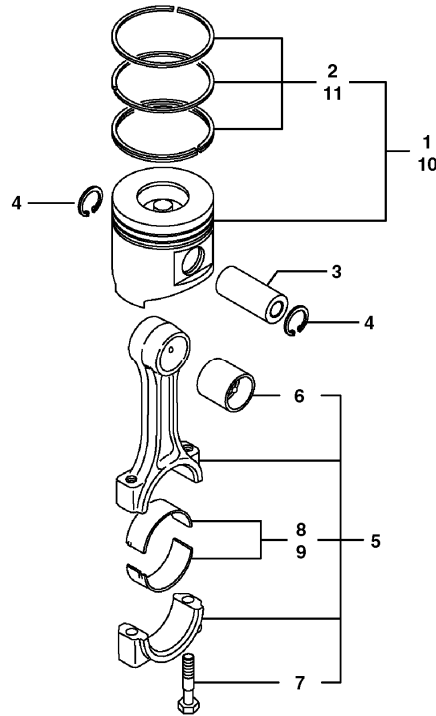
Volvo Construction
Equipment
1006955

| Section option | Kit | Option description |
|----------------|-----|--|
| VOE8278942 | | Engine without Epa label INT AND KOREAN MARKET |
| VOE8278943 | | Engine with Epa label EMISSION CERTIFICATED FROM EPA |

| Q1-Q5 | Option | Option description | |
|------------|------------|--|--|
| Q1 8278942 | VOE8278942 | Engine without Epa label INT AND KOREAN MARKET | |
| Q2 8278943 | VOE8278943 | Engine with Epa label EMISSION CERTIFICATED FROM EPA | |

| Pos | Part | Q1 | Q2 | Q3 | Q4 | Q5 | PS | Kit | Description | Option(s) | Remark |
|-----|-------------|----|----|----|----|----|----|-----|-----------------|-----------|----------------|
| 1 | VOE11714378 | 2 | 2 | | | | | | Lifting bracket | | (SA8210-04400) |
| 2 | VOE11714372 | 4 | 4 | | | | | | Bolt | | (SA8240-01680) |

| | | | |
|----------------------------|-------------------------------|----------------------------------|--|
| Date: 2013/12/12 | Image id: 1006956 | Catalogue: 20020 | Model: EW55B |
| Brand: Volvo | Serial: 30001-99999 | Group/Section: 213/100 | Title: Connecting rod and piston |



Volvo Construction
Equipment
1006956

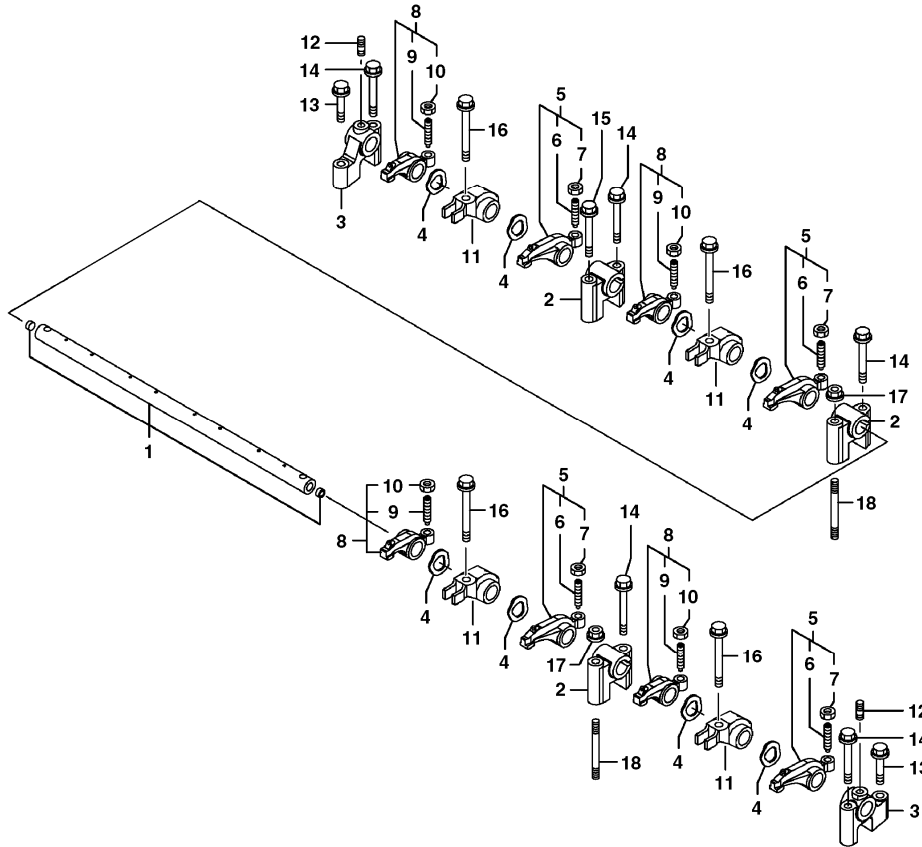
| Section option | Kit | Option description |
|----------------|-----|--|
| VOE8278942 | | Engine without Epa label INT AND KOREAN MARKET |
| VOE8278943 | | Engine with Epa label EMISSION CERTIFICATED FROM EPA |

| Q1-Q5 | Option | Option description | |
|------------|------------|--|--|
| Q1 8278942 | VOE8278942 | Engine without Epa label INT AND KOREAN MARKET | |
| Q2 8278943 | VOE8278943 | Engine with Epa label EMISSION CERTIFICATED FROM EPA | |

| Pos | Part | Q1 | Q2 | Q3 | Q4 | Q5 | PS | Kit | Description | Option(s) | Remark |
|-----|--------------|----|----|----|----|----|----|-----|----------------|-----------|----------------|
| 1 | VOE14521566 | 4 | 4 | | | | | | Piston | | |
| 2 | VOE14521567 | 4 | 4 | | | | | | •Ring | | |
| 3 | VOE11714797 | 4 | 4 | | | | | | Gudgeon pin | | (SA8210-02170) |
| 4 | SA8240-01140 | 8 | 8 | | | | | | Retaining ring | | |
| 5 | VOE11714799 | 4 | 4 | | | | | | Connecting rod | | (SA8210-04680) |
| 6 | SA8210-04720 | 1 | 1 | | | | | | •Bushing | | REPAIR PART |
| 7 | VOE11714801 | 2 | 2 | | | | | | •Screw | | (SA8210-04690) |

| | | | | | | | | | | | |
|----|-------------|---|---|--|--|--|--|--|-----------------|--|----------------------------|
| 8 | VOE11714802 | 1 | 1 | | | | | | •Piston Bearing | | (SA8210-04700) |
| 9 | VOE11714803 | 4 | 4 | | | | | | Piston Bearing | | (SA8210-04710)0.25 U SZ |
| 10 | VOE14521568 | 4 | 4 | | | | | | Piston | | 0.25 O SZ |
| 11 | VOE14521569 | 4 | 4 | | | | | | •Ring | | |

| | | | |
|----------------------------|-------------------------------|----------------------------------|-----------------------------|
| Date: 2013/12/12 | Image id: 1006957 | Catalogue: 20020 | Model: EW55B |
| Brand: Volvo | Serial: 30001-99999 | Group/Section: 214/200 | Title: Rocker arm |



Volvo Construction
Equipment
1006957

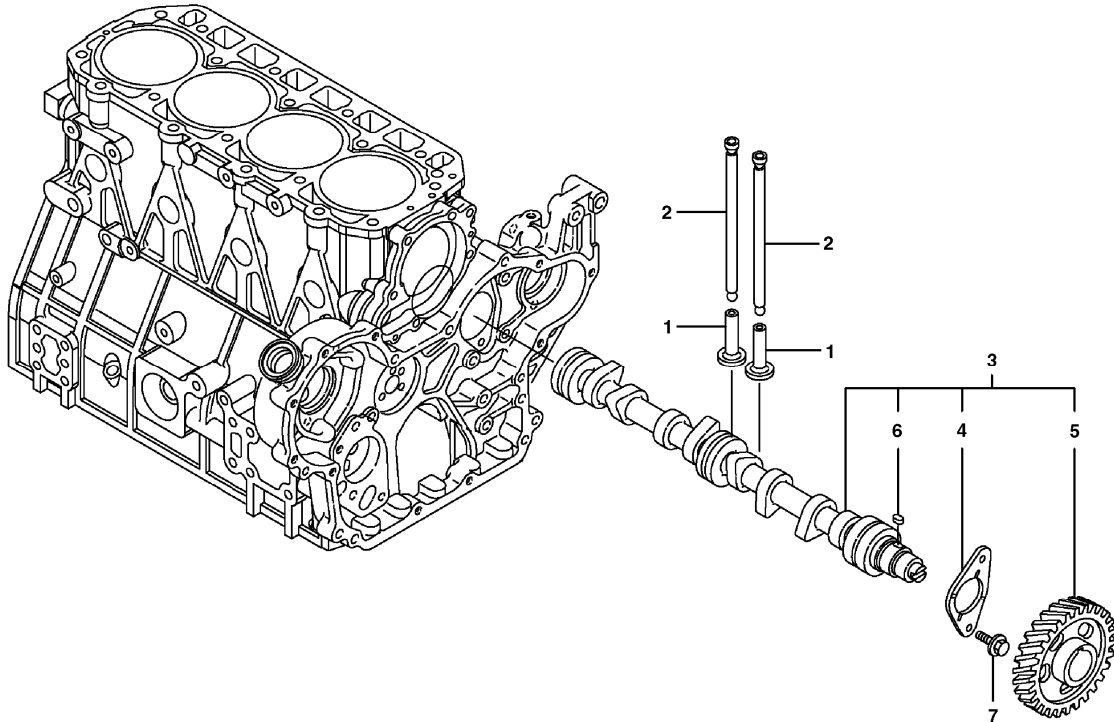
| Section option | Kit | Option description |
|----------------|-----|--|
| VOE8278942 | | Engine without Epa label INT AND KOREAN MARKET |
| VOE8278943 | | Engine with Epa label EMISSION CERTIFICATED FROM EPA |

| Q1-Q5 | Option | Option description | |
|------------|------------|--|--|
| Q1 8278942 | VOE8278942 | Engine without Epa label INT AND KOREAN MARKET | |
| Q2 8278943 | VOE8278943 | Engine with Epa label EMISSION CERTIFICATED FROM EPA | |

| Pos | Part | Q1 | Q2 | Q3 | Q4 | Q5 | PS | Kit | Description | Option(s) | Remark |
|-----|--------------|----|----|----|----|----|----|-----|----------------|-----------|--------|
| 1 | VOE14521534 | 1 | 1 | | | | SS | | Support | | |
| | VOE14521535 | 1 | 1 | | | | | | •Rocker arm | | |
| 2 | VOE14521536 | 3 | 3 | | | | | | •Support | | |
| 3 | VOE14521537 | 2 | 2 | | | | | | •Support | | |
| 4 | VOE14521538 | 8 | 8 | | | | | | •Spring washer | | |
| 5 | VOE14521539 | 4 | 4 | | | | | | •Rocker arm | | |
| 6 | SA8210-03660 | 1 | 1 | | | | | | ••Screw | | |

| | | | | | | | | | | | |
|----|--------------|---|---|--|--|--|----|--|-------------|--|----------------|
| 7 | VOE11714380 | 1 | 1 | | | | | | ••Nut | | (SA8210-03680) |
| 8 | VOE14521540 | 4 | 4 | | | | | | •Rocker arm | | |
| 9 | SA8210-03660 | 1 | 1 | | | | | | ••Screw | | |
| 10 | VOE11714380 | 1 | 1 | | | | | | ••Nut | | (SA8210-03680) |
| 11 | VOE14521541 | 4 | 4 | | | | | | •Retainer | | |
| 12 | VOE14521542 | 2 | 2 | | | | | | •Bolt | | |
| 13 | VOE11714487 | 2 | 2 | | | | | | Bolt | | (SA8240-01710) |
| 14 | SA8240-01740 | 5 | 5 | | | | SS | | Bolt | | |
| 15 | SA8240-01750 | 1 | 1 | | | | | | Bolt | | |
| 16 | SA8240-01770 | 4 | 4 | | | | | | Bolt | | |
| 17 | VOE14521543 | 2 | 2 | | | | | | Nut | | |
| 18 | VOE14521533 | 2 | 2 | | | | | | Bolt | | |

| | | | |
|----------------------------|-------------------------------|----------------------------------|---------------------------|
| Date: 2013/12/12 | Image id: 1006958 | Catalogue: 20020 | Model: EW55B |
| Brand: Volvo | Serial: 30001-99999 | Group/Section: 215/100 | Title: Camshaft |



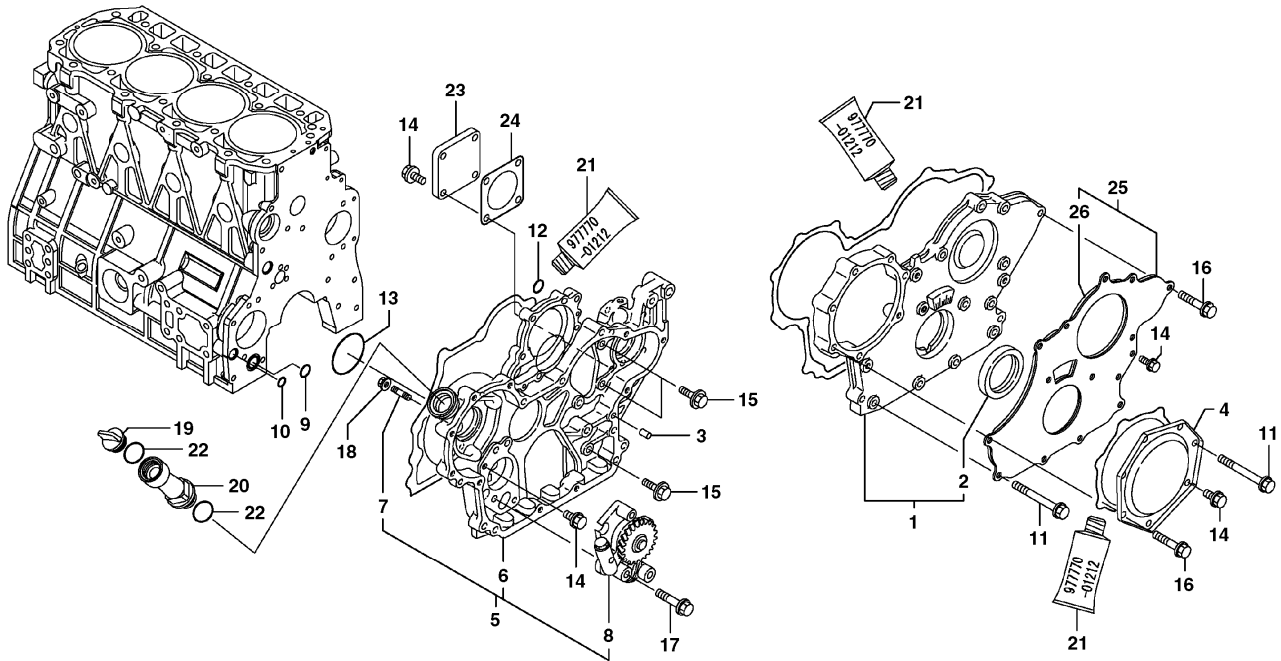
Volvo Construction
Equipment
1006958

| Section option | Kit | Option description |
|----------------|-----|--|
| VOE8278942 | | Engine without Epa label INT AND KOREAN MARKET |
| VOE8278943 | | Engine with Epa label EMISSION CERTIFICATED FROM EPA |

| Q1-Q5 | Option | Option description | |
|------------|------------|--|--|
| Q1 8278942 | VOE8278942 | Engine without Epa label INT AND KOREAN MARKET | |
| Q2 8278943 | VOE8278943 | Engine with Epa label EMISSION CERTIFICATED FROM EPA | |

| Pos | Part | Q1 | Q2 | Q3 | Q4 | Q5 | PS | Kit | Description | Option(s) | Remark |
|-----|--------------|----|----|----|----|----|----|-----|-------------|-----------|----------------|
| 1 | SA8210-08810 | 8 | 8 | | | | SS | | Tappet | | |
| 2 | VOE14521559 | 8 | 8 | | | | | | Push rod | | |
| 3 | VOE14521560 | 1 | 1 | | | | | | Camshaft | | |
| 4 | SA8210-03640 | 1 | 1 | | | | | | •Bearing | | |
| 5 | SA8210-04580 | 1 | 1 | | | | | | •Gear | | |
| 6 | SA8210-05520 | 1 | 1 | | | | | | •Key | | |
| 7 | VOE11714372 | 2 | 2 | | | | | | Bolt | | (SA8240-01680) |

| | | | |
|----------------------------|-------------------------------|----------------------------------|-------------------------------------|
| Date: 2013/12/12 | Image id: 1006959 | Catalogue: 20020 | Model: EW55B |
| Brand: Volvo | Serial: 30001-99999 | Group/Section: 215/200 | Title: Timing gear casing |



Volvo Construction
Equipment
1006959

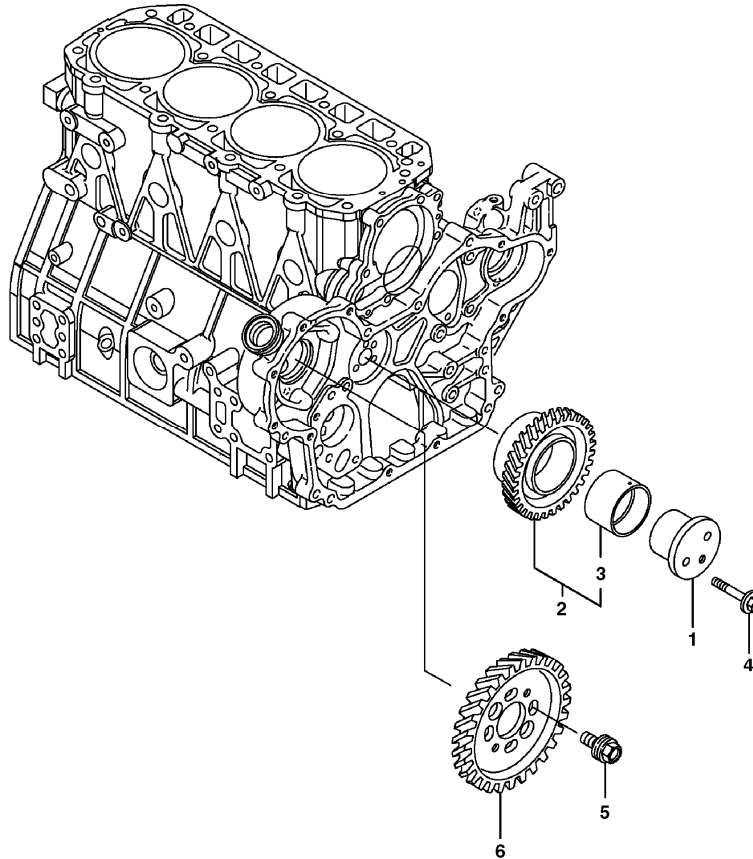
| Section option | Kit | Option description |
|----------------|-----|--|
| VOE8278942 | | Engine without Epa label INT AND KOREAN MARKET |
| VOE8278943 | | Engine with Epa label EMISSION CERTIFICATED FROM EPA |

| Q1-Q5 | Option | Option description | |
|------------|------------|--|--|
| Q1 8278942 | VOE8278942 | Engine without Epa label INT AND KOREAN MARKET | |
| Q2 8278943 | VOE8278943 | Engine with Epa label EMISSION CERTIFICATED FROM EPA | |

| Pos | Part | Q1 | Q2 | Q3 | Q4 | Q5 | PS | Kit | Description | Option(s) | Remark |
|-----|--------------|----|----|----|----|----|----|-----|-------------|-----------|----------------|
| 1 | VOE14521507 | 1 | 1 | | | | | | Housing | | |
| 2 | VOE14514867 | 1 | 1 | | | | | | •Sealing | | |
| 3 | VOE11714376 | 4 | 4 | | | | | | Pin | | (SA8210-03530) |
| 4 | VOE11714746 | 1 | 1 | | | | | | Cover | | (SA8210-04300) |
| 5 | VOE14521508 | 1 | 1 | | | | SS | | Case | | |
| 6 | VOE14521183 | 1 | 1 | | | | | | •Case | | |
| 7 | SA8210-02620 | 4 | 4 | | | | | | •Stud | | |

| | | | | | | | | | | | |
|----|--------------|----|----|--|--|--|--|----|----------|--|---------------------------------|
| 8 | VOE14525387 | 1 | 1 | | | | | | •Pump | | (VOE14521509) |
| 9 | VOE11714738 | 1 | 1 | | | | | | O-ring | | (SA8210-04770) |
| 10 | VOE11714739 | 1 | 1 | | | | | | O-ring | | (SA8210-04780) |
| 11 | VOE14521510 | 7 | 7 | | | | | | Bolt | | |
| 12 | VOE14521511 | 1 | 1 | | | | | SS | O-ring | | |
| 13 | VOE14521512 | 1 | 1 | | | | | | Wrapping | | |
| 14 | VOE11714372 | 9 | 9 | | | | | | Bolt | | (SA8240-01680) |
| 15 | VOE11714388 | 3 | 3 | | | | | | Bolt | | (SA8240-01700) |
| 16 | VOE11714487 | 10 | 10 | | | | | | Bolt | | (SA8240-01710) |
| 17 | VOE11714377 | 3 | 3 | | | | | | Bolt | | (SA8240-01720) |
| 18 | VOE14521513 | 4 | 4 | | | | | | Nut | | |
| 19 | VOE11714383 | 1 | 1 | | | | | | Cap | | (SA8210-03240) |
| 20 | SA8210-05300 | 1 | 1 | | | | | | Pipe | | |
| 21 | VOE14543857 | 1 | 1 | | | | | | Gasket | | (SA8240-02760) OPTIONAL PART |
| 22 | VOE11714371 | 2 | 2 | | | | | | O-ring | | (SA8210-08880) |
| 23 | VOE11714370 | 1 | 1 | | | | | | Cover | | (SA8210-03280) |
| 24 | VOE14521514 | 1 | 1 | | | | | | Gasket | | |
| 25 | VOE14521515 | 1 | 1 | | | | | | Cover | | |
| 26 | VOE14521516 | 1 | 1 | | | | | | •Sponge | | |

| | | | |
|----------------------------|-------------------------------|----------------------------------|------------------------------|
| Date: 2013/12/12 | Image id: 1006960 | Catalogue: 20020 | Model: EW55B |
| Brand: Volvo | Serial: 30001-99999 | Group/Section: 215/250 | Title: Timing gear |



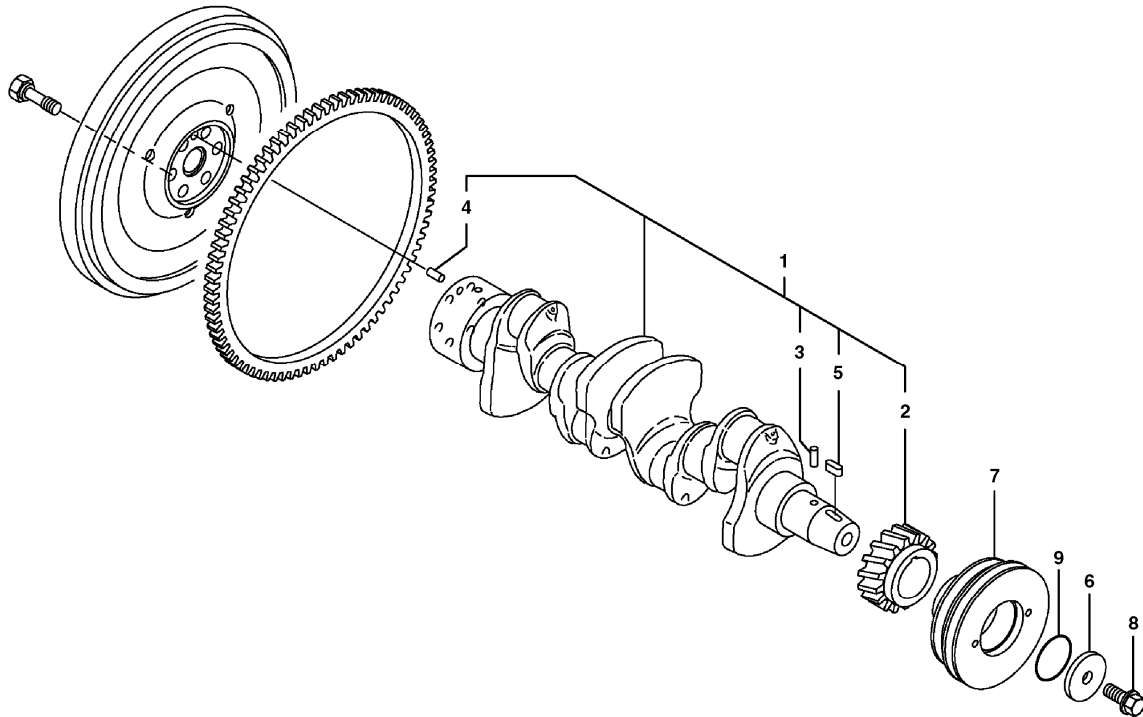
Volvo Construction
Equipment
1006960

| Section option | Kit | Option description |
|----------------|-----|--|
| VOE8278942 | | Engine without Epa label INT AND KOREAN MARKET |
| VOE8278943 | | Engine with Epa label EMISSION CERTIFICATED FROM EPA |

| Q1-Q5 | Option | Option description | |
|------------|------------|--|--|
| Q1 8278942 | VOE8278942 | Engine without Epa label INT AND KOREAN MARKET | |
| Q2 8278943 | VOE8278943 | Engine with Epa label EMISSION CERTIFICATED FROM EPA | |

| Pos | Part | Q1 | Q2 | Q3 | Q4 | Q5 | PS | Kit | Description | Option(s) | Remark |
|-----|--------------|----|----|----|----|----|----|-----|-------------|-----------|----------------|
| 1 | VOE14521561 | 1 | 1 | | | | | | Shaft | | |
| 2 | VOE11714785 | 1 | 1 | | | | | | Gear | | (SA8210-04740) |
| 3 | SA8210-03700 | 1 | 1 | | | | | | •Bushing | | REPAIR PART |
| 4 | VOE11714373 | 3 | 3 | | | | | | Bolt | | (SA8240-01730) |
| 5 | VOE14521562 | 4 | 4 | | | | | | Bolt | | |
| 6 | VOE14521563 | 1 | 1 | | | | | | Gear | | |

| | | | |
|----------------------------|-------------------------------|----------------------------------|-----------------------------|
| Date: 2013/12/12 | Image id: 1006961 | Catalogue: 20020 | Model: EW55B |
| Brand: Volvo | Serial: 30001-99999 | Group/Section: 216/100 | Title: Crankshaft |



Volvo Construction
Equipment
1006961

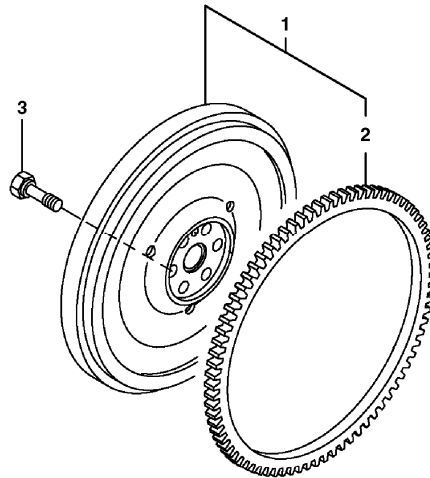
| Section option | Kit | Option description |
|----------------|-----|--|
| VOE8278942 | | Engine without Epa label INT AND KOREAN MARKET |
| VOE8278943 | | Engine with Epa label EMISSION CERTIFICATED FROM EPA |

| Q1-Q5 | Option | Option description | |
|------------|------------|--|--|
| Q1 8278942 | VOE8278942 | Engine without Epa label INT AND KOREAN MARKET | |
| Q2 8278943 | VOE8278943 | Engine with Epa label EMISSION CERTIFICATED FROM EPA | |

| Pos | Part | Q1 | Q2 | Q3 | Q4 | Q5 | PS | Kit | Description | Option(s) | Remark |
|-----|--------------|----|----|----|----|----|----|-----|------------------|-----------|----------------|
| 1 | VOE14521564 | 1 | 1 | | | | | | Crankshaft | | |
| 2 | VOE11714790 | 1 | 1 | | | | | | •Crankshaft gear | | (SA8210-04620) |
| 3 | VOE11714791 | 1 | 1 | | | | | | •Guide pin | | (SA8210-02710) |
| 4 | VOE11714792 | 1 | 1 | | | | | | •Guide pin | | (SA8210-02740) |
| 5 | SA8210-05520 | 1 | 1 | | | | | | •Key | | |
| 6 | VOE14509381 | 1 | 1 | | | | | | Washer | | |
| 7 | VOE14517628 | 1 | 1 | | | | | | Pulley | | |

| | | | | | | | | | | | |
|---|-------------|---|---|--|--|--|--|--|--------|--|--|
| 8 | VOE14517969 | 1 | 1 | | | | | | Bolt | | |
| 9 | VOE14509382 | 1 | 1 | | | | | | O-ring | | |

| | | | |
|----------------------------|-------------------------------|----------------------------------|---------------------------|
| Date: 2013/12/12 | Image id: 1006962 | Catalogue: 20020 | Model: EW55B |
| Brand: Volvo | Serial: 30001-99999 | Group/Section: 216/200 | Title: Flywheel |



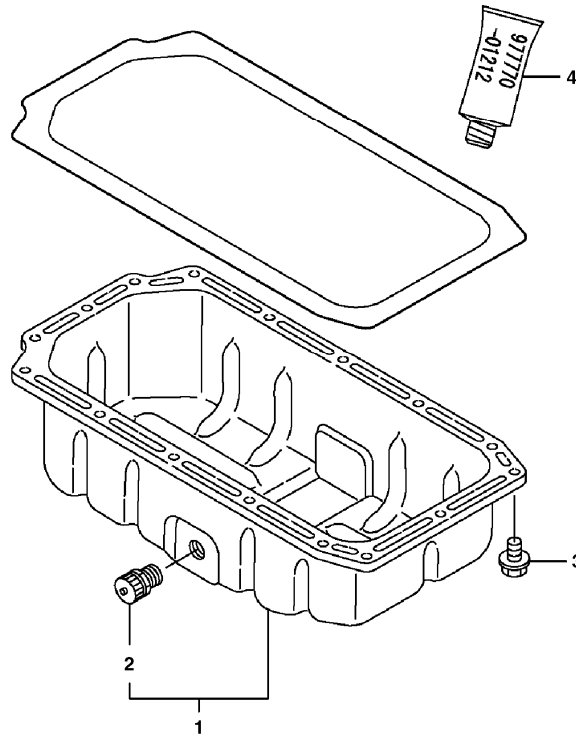
Volvo Construction
Equipment
1006962

| Section option | Kit | Option description |
|----------------|-----|--|
| VOE8278942 | | Engine without Epa label INT AND KOREAN MARKET |
| VOE8278943 | | Engine with Epa label EMISSION CERTIFICATED FROM EPA |

| Q1-Q5 | Option | Option description | |
|------------|------------|--|--|
| Q1 8278942 | VOE8278942 | Engine without Epa label INT AND KOREAN MARKET | |
| Q2 8278943 | VOE8278943 | Engine with Epa label EMISSION CERTIFICATED FROM EPA | |

| Pos | Part | Q1 | Q2 | Q3 | Q4 | Q5 | PS | Kit | Description | Option(s) | Remark |
|-----|-------------|----|----|----|----|----|----|-----|-------------|-----------|----------------|
| 1 | VOE14521565 | 1 | 1 | | | | SS | | Flywheel | | |
| 2 | VOE11714795 | 1 | 1 | | | | | | •Gear ring | | (SA8210-04630) |
| 3 | VOE11714793 | 6 | 6 | | | | | | Screw | | (SA8210-02690) |

| | | | |
|----------------------------|-------------------------------|----------------------------------|---------------------------|
| Date: 2013/12/12 | Image id: 1006963 | Catalogue: 20020 | Model: EW55B |
| Brand: Volvo | Serial: 30001-99999 | Group/Section: 217/100 | Title: Oil sump |



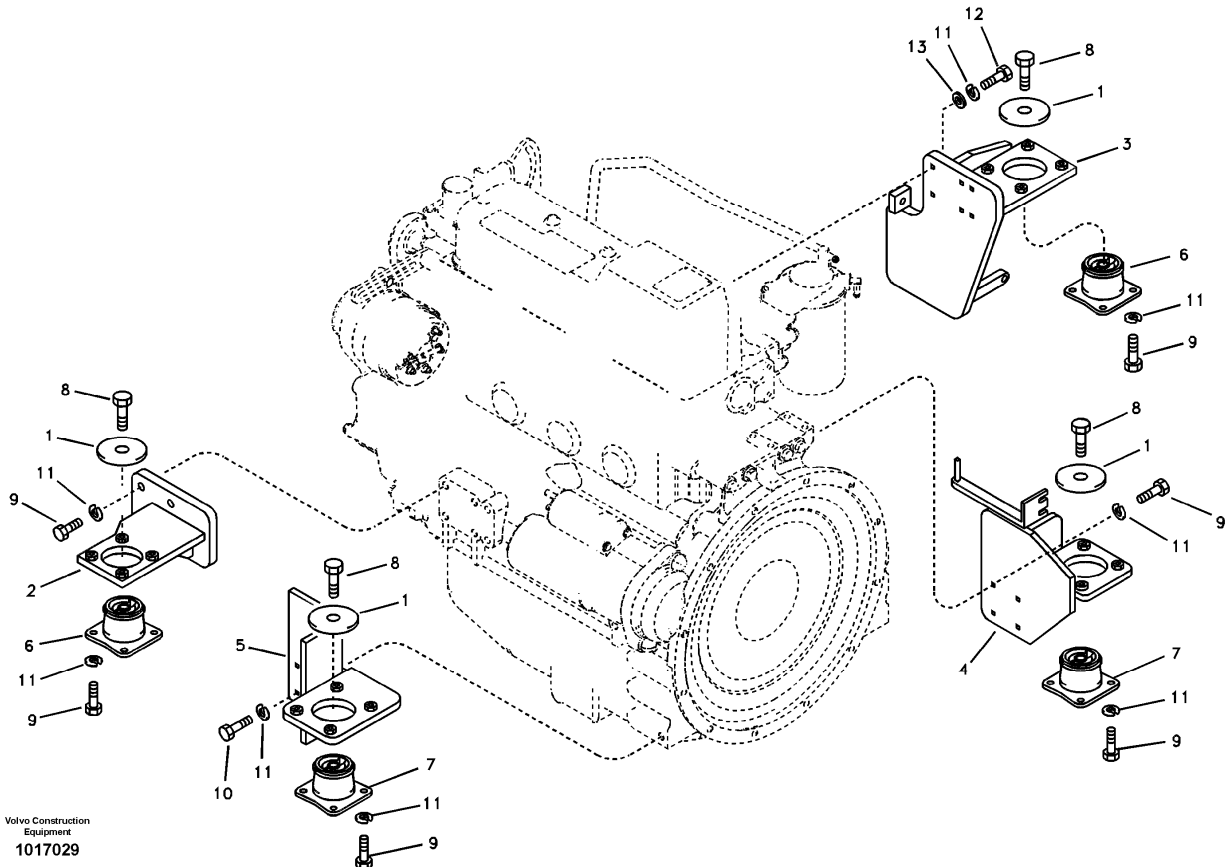
Volvo Construction
Equipment
1006963

| Section option | Kit | Option description |
|----------------|-----|--|
| VOE8278942 | | Engine without Epa label INT AND KOREAN MARKET |
| VOE8278943 | | Engine with Epa label EMISSION CERTIFICATED FROM EPA |

| Q1-Q5 | Option | Option description | |
|------------|------------|--|--|
| Q1 8278942 | VOE8278942 | Engine without Epa label INT AND KOREAN MARKET | |
| Q2 8278943 | VOE8278943 | Engine with Epa label EMISSION CERTIFICATED FROM EPA | |

| Pos | Part | Q1 | Q2 | Q3 | Q4 | Q5 | PS | Kit | Description | Option(s) | Remark |
|-----|-------------|----|----|----|----|----|----|-----|-------------|-----------|---------------------------------|
| 1 | VOE14521517 | 1 | 1 | | | | | | Oil Pan | | |
| 2 | VOE14521185 | 1 | 1 | | | | | | •Valve | | DRAIN ENGINE OIL |
| 3 | VOE11714490 | 1 | 1 | | | | | | Bolt | | (SA8240-01670) |
| 4 | VOE14543857 | 1 | 1 | | | | | | Gasket | | (SA8240-02760) OPTIONAL PART |

| | | | |
|----------------------------|-------------------------------|----------------------------------|-------------------------------|
| Date: 2013/12/12 | Image id: 1017029 | Catalogue: 20020 | Model: EW55B |
| Brand: Volvo | Serial: 30001-99999 | Group/Section: 218/100 | Title: Engine mount |



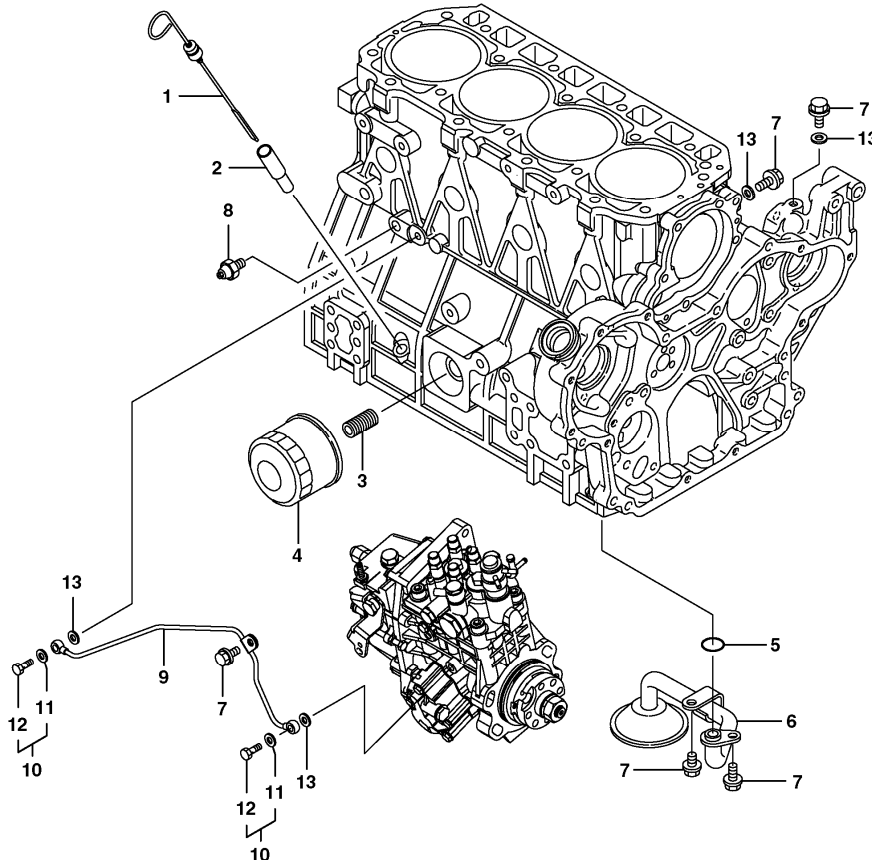
| Section option | Kit | Option description |
|----------------|-----|---------------------|
| VOE8278941 | | Basic Machine EW55B |

| Q1-Q5 | Option | Option description | |
|------------|------------|---------------------|--|
| Q1 8278941 | VOE8278941 | Basic Machine EW55B | |

| Pos | Part | Q1 | Q2 | Q3 | Q4 | Q5 | PS | Kit | Description | Option(s) | Remark |
|-----|--------------|----|----|----|----|----|----|-----|-------------|-----------|-----------------------------|
| 1 | SA1112-00830 | 4 | | | | | | | Plate | | |
| 2 | SA1112-30382 | 1 | | | | | | | Bracket | | FRONT LH |
| 3 | VOE14520059 | 1 | | | | | SS | | Bracket | | FRONT RH SER NO 30001-30338 |
| | VOE14531319 | 1 | | | | | | | Bracket | | SER NO 30339- |
| 4 | SA1112-30481 | 1 | | | | | OP | | Bracket | | REAR RH SER NO 30001-30433 |
| | VOE14535607 | 1 | | | | | | | Bracket | | SER NO 30434- |
| 5 | VOE14518132 | 1 | | | | | | | Bracket | | REAR LH |

| | | | | | | | | | | | |
|----|--------------|----|--|--|--|--|--|--|---------------|--|--------------------|
| 6 | VOE14592731 | 2 | | | | | | | Cushion | | (SA1112-30340) |
| 7 | VOE14592730 | 2 | | | | | | | Cushion | | (SA1112-30350) |
| 8 | VOE978941 | 4 | | | | | | | Hexagon screw | | |
| 9 | VOE983252 | 30 | | | | | | | Hexagon screw | | SER NO 30001-30338 |
| | VOE983252 | 24 | | | | | | | Hexagon screw | | SER NO 30339- |
| 10 | VOE983254 | 4 | | | | | | | Hexagon screw | | |
| 11 | VOE955922 | 34 | | | | | | | Spring washer | | |
| 12 | SA9011-11007 | 6 | | | | | | | Bolt | | SER NO 30339- |
| 13 | SA9211-10000 | 6 | | | | | | | Washer | | SER NO 30339- |

| | | | |
|----------------------------|-------------------------------|----------------------------------|---|
| Date: 2013/12/12 | Image id: 1006965 | Catalogue: 20020 | Model: EW55B |
| Brand: Volvo | Serial: 30001-99999 | Group/Section: 220/300 | Title: Lubricating oil system |



Volvo Construction
Equipment
1006965

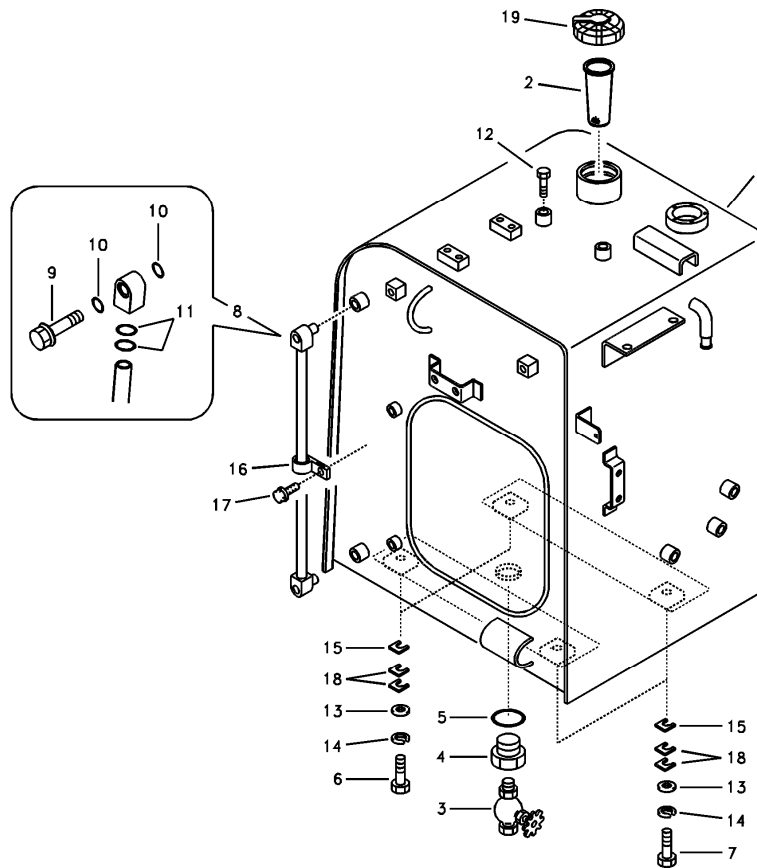
| Section option | Kit | Option description |
|----------------|-----|--|
| VOE8278942 | | Engine without Epa label INT AND KOREAN MARKET |
| VOE8278943 | | Engine with Epa label EMISSION CERTIFICATED FROM EPA |

| Q1-Q5 | Option | Option description | |
|------------|------------|--|--|
| Q1 8278942 | VOE8278942 | Engine without Epa label INT AND KOREAN MARKET | |
| Q2 8278943 | VOE8278943 | Engine with Epa label EMISSION CERTIFICATED FROM EPA | |

| Pos | Part | Q1 | Q2 | Q3 | Q4 | Q5 | PS | Kit | Description | Option(s) | Remark |
|-----|--------------|----|----|----|----|----|----|-----|---------------|-----------|----------------|
| 1 | VOE14521179 | 1 | 1 | | | | | | Dipstick | | |
| 2 | VOE11715318 | 1 | 1 | | | | | | Dipstick tube | | (SA8210-03930) |
| 3 | VOE11714907 | 1 | 1 | | | | | | Fitting | | (SA8210-00920) |
| 4 | VOE14528387 | 1 | 1 | | | | | | Oil Filter | | |
| 5 | VOE11714738 | 1 | 1 | | | | | | O-ring | | (SA8210-04770) |
| 6 | SA8210-04790 | 1 | 1 | | | | | | Pipe | | |
| 7 | VOE11714490 | 5 | 5 | | | | | | Bolt | | (SA8240-01670) |

| | | | | | | | | | | | |
|----|--------------|---|---|--|--|--|--|--|-----------------|--|------------------|
| 8 | VOE14520582 | 1 | 1 | | | | | | Switch | | LUB OIL PRESSURE |
| 9 | VOE14521570 | 1 | 1 | | | | | | Pipe | | |
| 10 | VOE14521571 | 2 | 2 | | | | | | Bolt | | |
| 11 | VOE11714476 | 1 | 1 | | | | | | •Sealing washer | | (SA8240-01020) |
| 12 | SA8210-05600 | 1 | 1 | | | | | | •Bolt | | |
| 13 | VOE11714476 | 4 | 4 | | | | | | Sealing washer | | (SA8240-01020) |

| | | | |
|----------------------------|-------------------------------|----------------------------------|---|
| Date: 2013/12/12 | Image id: 1014319 | Catalogue: 20020 | Model: EW55B |
| Brand: Volvo | Serial: 30001-99999 | Group/Section: 234/100 | Title: Fuel tank with fitting parts |



Volvo Construction
Equipment
1014319

| Section option | Kit | Option description |
|----------------|-----|---------------------------|
| VOE8278819 | | Specific Key. Combination |
| VOE8278820 | | Master Key |
| VOE8278941 | | Basic Machine EW55B |

| Q1-Q5 | Option | Option description | |
|------------|------------|---------------------------|--|
| Q1 8278941 | VOE8278941 | Basic Machine EW55B | |
| Q2 8278819 | VOE8278819 | Specific Key. Combination | |
| Q3 8278820 | VOE8278820 | Master Key | |

| Pos | Part | Q1 | Q2 | Q3 | Q4 | Q5 | PS | Kit | Description | Option(s) | Remark |
|-----|--------------|----|----|----|----|----|----|-----|---------------|-----------|--------------------|
| 1 | VOE14519779 | 1 | | | | | | | Fuel tank | | |
| 2 | SA1116-00220 | 1 | | | | | | | Filter | | SER NO 30001-30217 |
| | VOE14528386 | 1 | | | | | SS | | Screen | | SER NO 30218- |
| 3 | SAP4100875 | 1 | | | | | SS | | Shut-off cock | | |
| 4 | SA1116-30080 | 1 | | | | | | | Plug | | |

Thank you so much for reading.
Please click the “Buy Now!”
button below to download the
complete manual.



After you pay.

You can download the most
perfect and complete manual in
the world immediately.

Our support email:

ebooklibonline@outlook.com