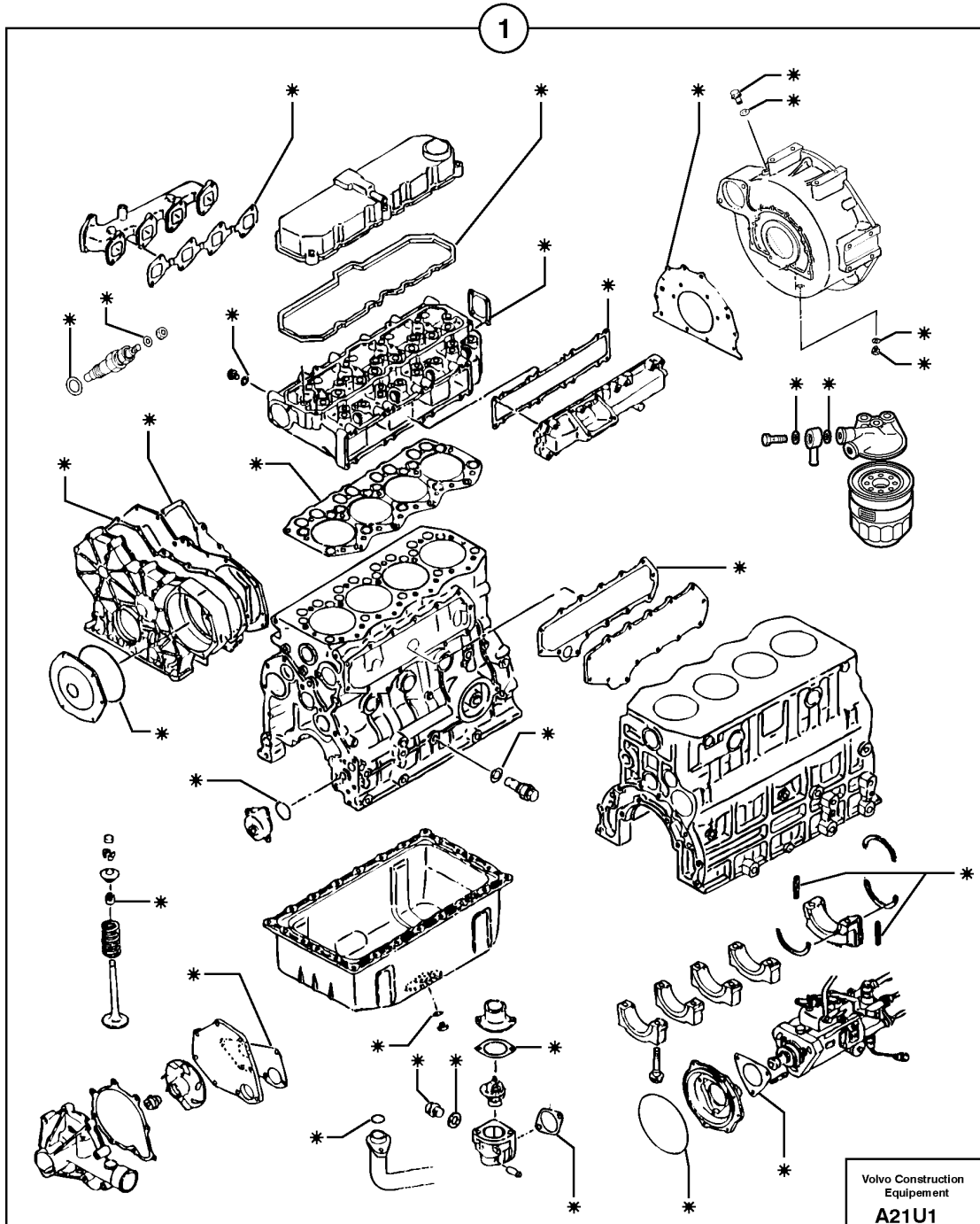


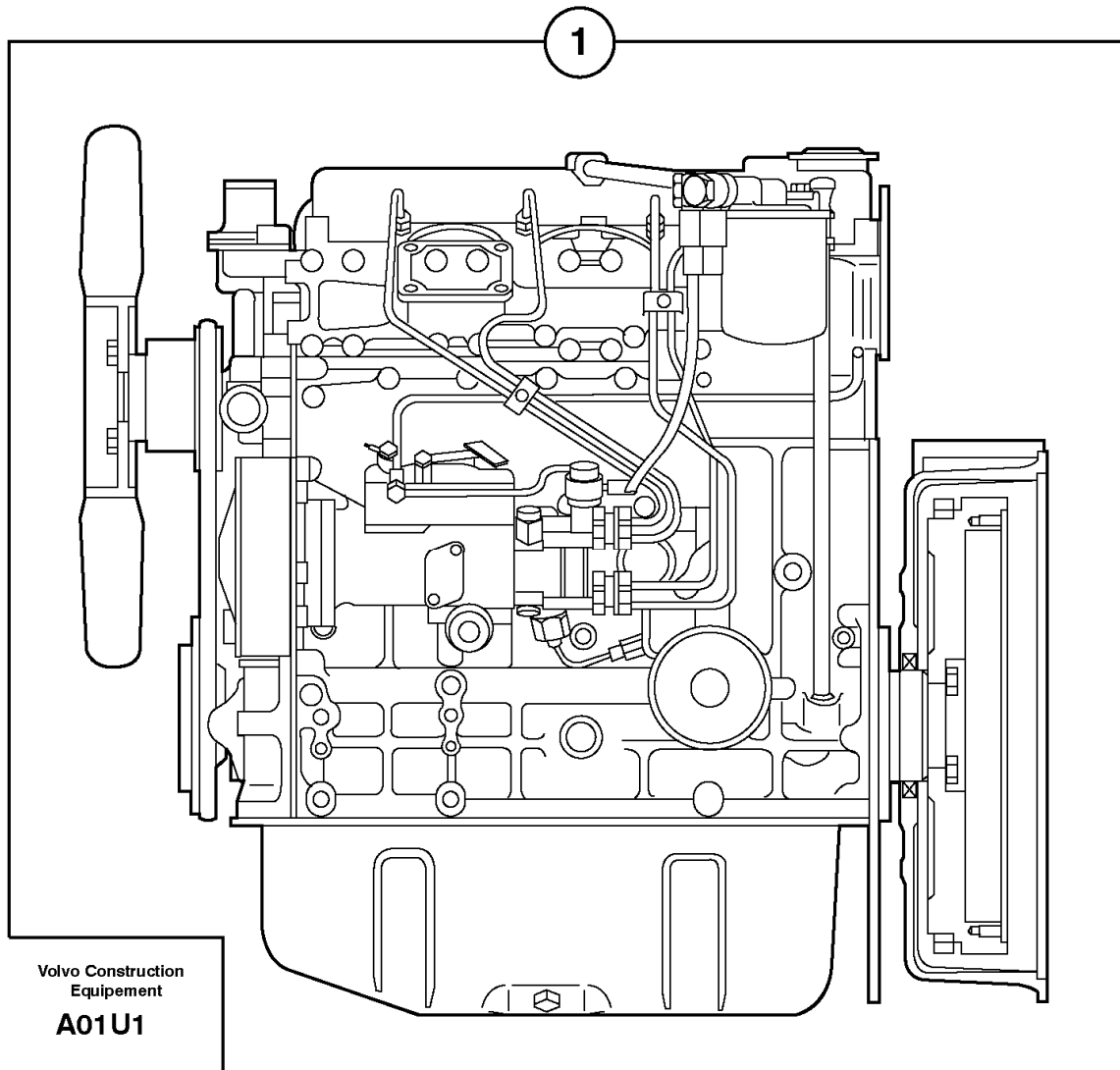
Date: 2013/12/15	Image id: A21U1	Catalogue: 10015	Model: EW70
Brand: Volvo	Serial: 10151-99999	Group/Section: 210/50	Title: Engine gasket kit



Q1-Q5	Option	Option description	
Q1 262.10151			

Pos	Part	Q1	Q2	Q3	Q4	Q5	PS	Kit	Description	Option(s)	Remark
1	PJ7416587	1							Sealing Kit		

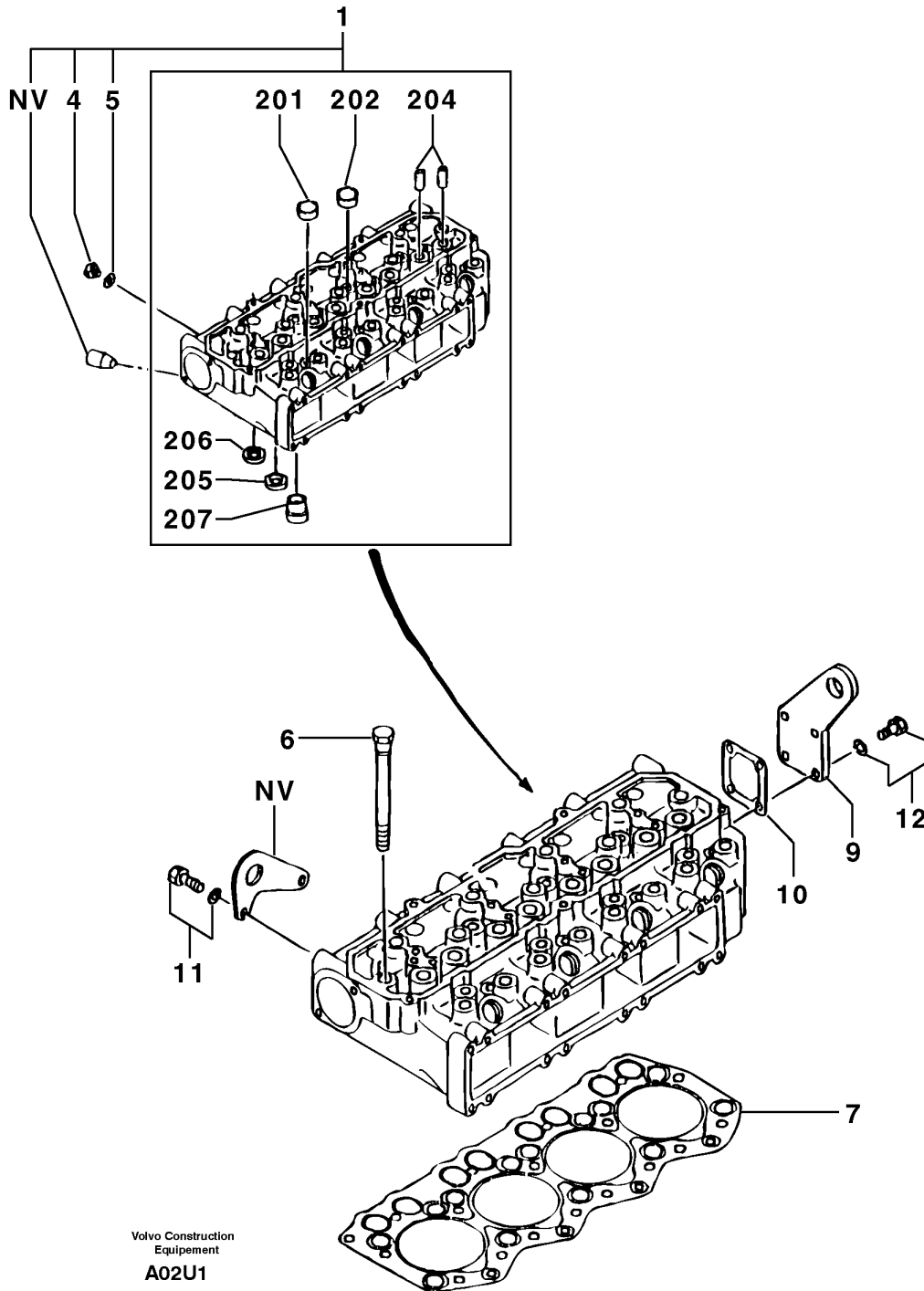
Date: 2013/12/15	Image id: A01U1	Catalogue: 10015	Model: EW70
Brand: Volvo	Serial: 10151-99999	Group/Section: 210/100	Title: Diesel engine



Q1-Q5	Option	Option description	
Q1	262.10151		

Pos	Part	Q1	Q2	Q3	Q4	Q5	PS	Kit	Description	Option(s)	Remark
1	PJ6820220	1							Adapter		S/N - 262.12195
1	PJ5370199	1							Engine, cpl.		S/N 262.12196 -

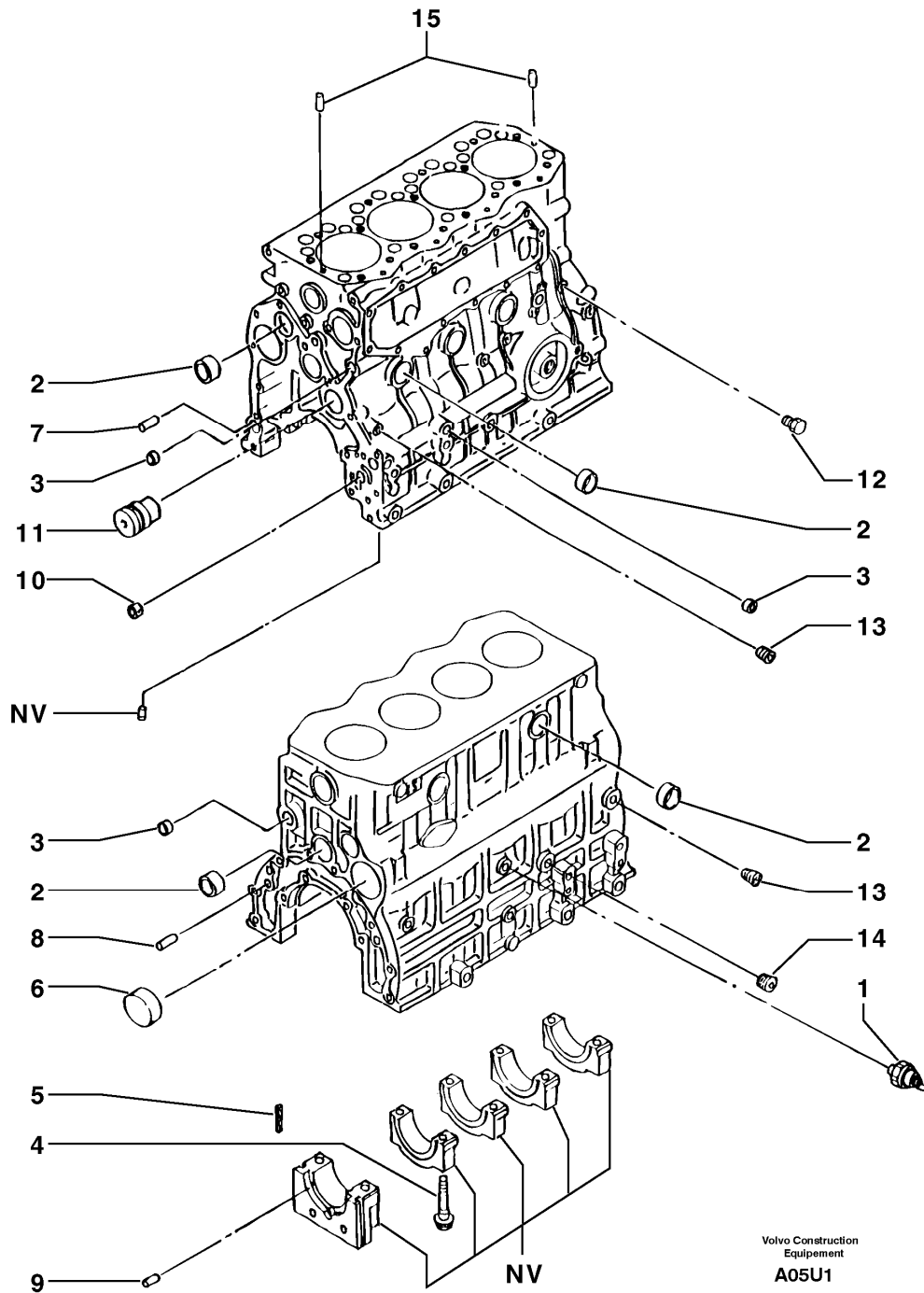
Date: 2013/12/15	Image id: A02U1	Catalogue: 10015	Model: EW70
Brand: Volvo	Serial: 10151-99999	Group/Section: 211/100	Title: Cylinder head



Q1-Q5	Option	Option description	
Q1	262.10151		

Pos	Part	Q1	Q2	Q3	Q4	Q5	PS	Kit	Description	Option(s)	Remark
1	VOE15162355	1							Cylinder head		(PJ7416406)
4	PJ7416434	1							Plug		
5	PJ7416242	1							Seal		
6	PJ7416407	17							Bolt		
7	PJ7416409	1							Cyl Head Gasket		
9	PJ7416411	1							Hook		
10	PJ7416410	1							Seal		
11	PJ7416429	2							Attachment kit		
12	PJ7416436	4							Attachment kit		
201	PJ7410143	8							Plug		
202	PJ7410144	7							Plug		
204	PJ7416408	8							Giude		
205	PJ7416412	4							Valve seat		
206	PJ7416413	4							Valve seat		
207	PJ7416416	4							Jet		

Date: 2013/12/15	Image id: A05U1	Catalogue: 10015	Model: EW70
Brand: Volvo	Serial: 10151-99999	Group/Section: 212/100	Title: Cylinder block

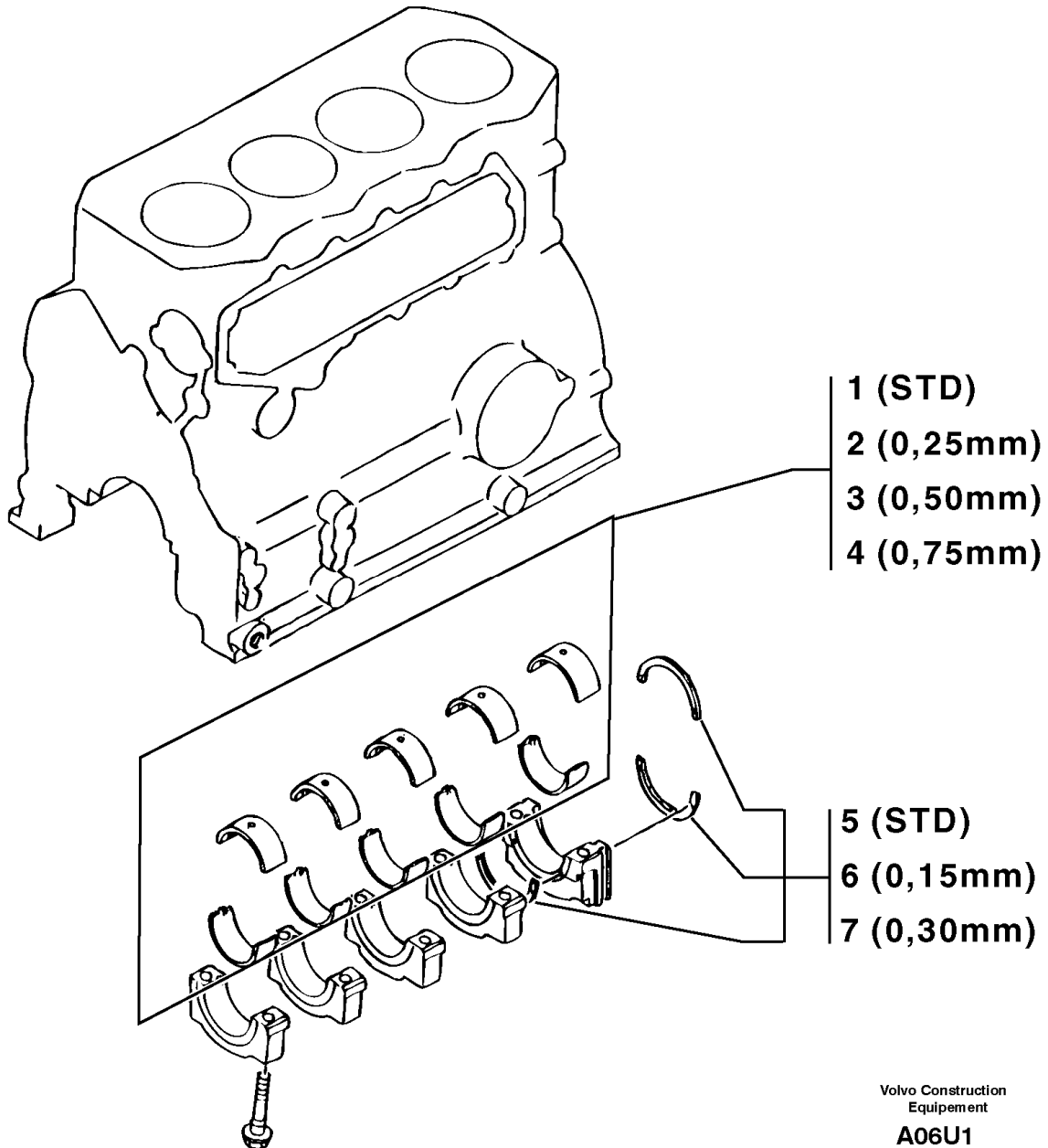


Volvo Construction
Equipment
A05U1

Q1-Q5	Option	Option description	
Q1	262.10151		

Pos	Part	Q1	Q2	Q3	Q4	Q5	PS	Kit	Description	Option(s)	Remark
1	PJ7415348	1							Pressure switch		
2	PJ7415329	10							Plug		ENG - 35169
2	PJ7417807	10							Plug		ENG 35170 -
3	PJ7415327	5					SS		Plug		ENG - 35169
3	PJ7417928	5							Plug		ENG 35170 -
4	PJ7416440	10							Bolt		
5	PJ7416441	2							Seal		
6	PJ7416450	1							Plug		
7	PJ7416439	2							Lock		
8	PJ7416451	2							Lock		ENG - 35169
8	PJ7418129	2							Lock		ENG 35170 -
9	PJ7416452	6							Stub Axle		
10	PJ7416438	1							Bushing		
11	PJ7416449	1							Shaft		
12	PJ7410039	1							Plug		
13	PJ7410691	7							Plug		
14	PJ7416453	1							Plug		
15	PJ7415322	2							Centraliser		

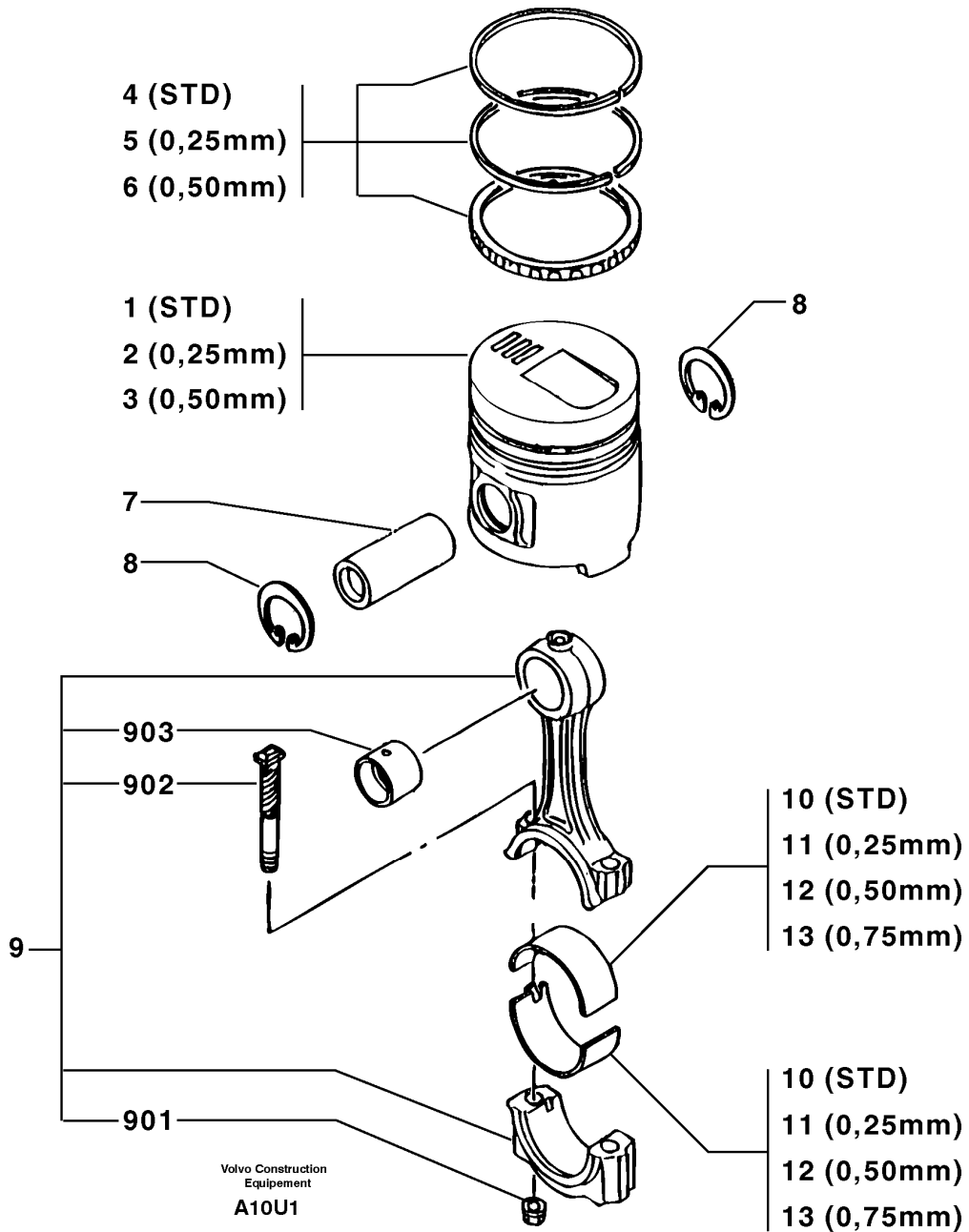
Date: 2013/12/15	Image id: A06U1	Catalogue: 10015	Model: EW70
Brand: Volvo	Serial: 10151-99999	Group/Section: 212/200	Title: Bearings (set)



Q1-Q5	Option	Option description	
Q1 262.10151			

Pos	Part	Q1	Q2	Q3	Q4	Q5	PS	Kit	Description	Option(s)	Remark
1	PJ7416442	1							Bearings (kit)		STD SZ
2	PJ7416443	1							Bearings (kit)		0,25mm/0.0098in
3	PJ7416444	1							Bearings (kit)		0,50mm/0.0197in
4	PJ7416445	1							Bearings (kit)		0,75mm/0.0295in
5	PJ7416446	3							Shim		THICK = STD SZ
5	PJ7416446	3							Shim		ENG - 35169
5	PJ7418066	3							Shim		THICK = STD SZ
5	PJ7418066	3							Shim		ENG 35170 -
6	PJ7416447	3							Shim		THICK = 0,15mm/0.0059in
7	PJ7416448	3							Shim		THICK = 0,30mm/0.0118in
7	PJ7416448	3							Shim		ENG - 35169
7	PJ7418067	3							Shim		THICK = 0,30mm/0.0118in
7	PJ7418067	3							Shim		ENG 35170 -

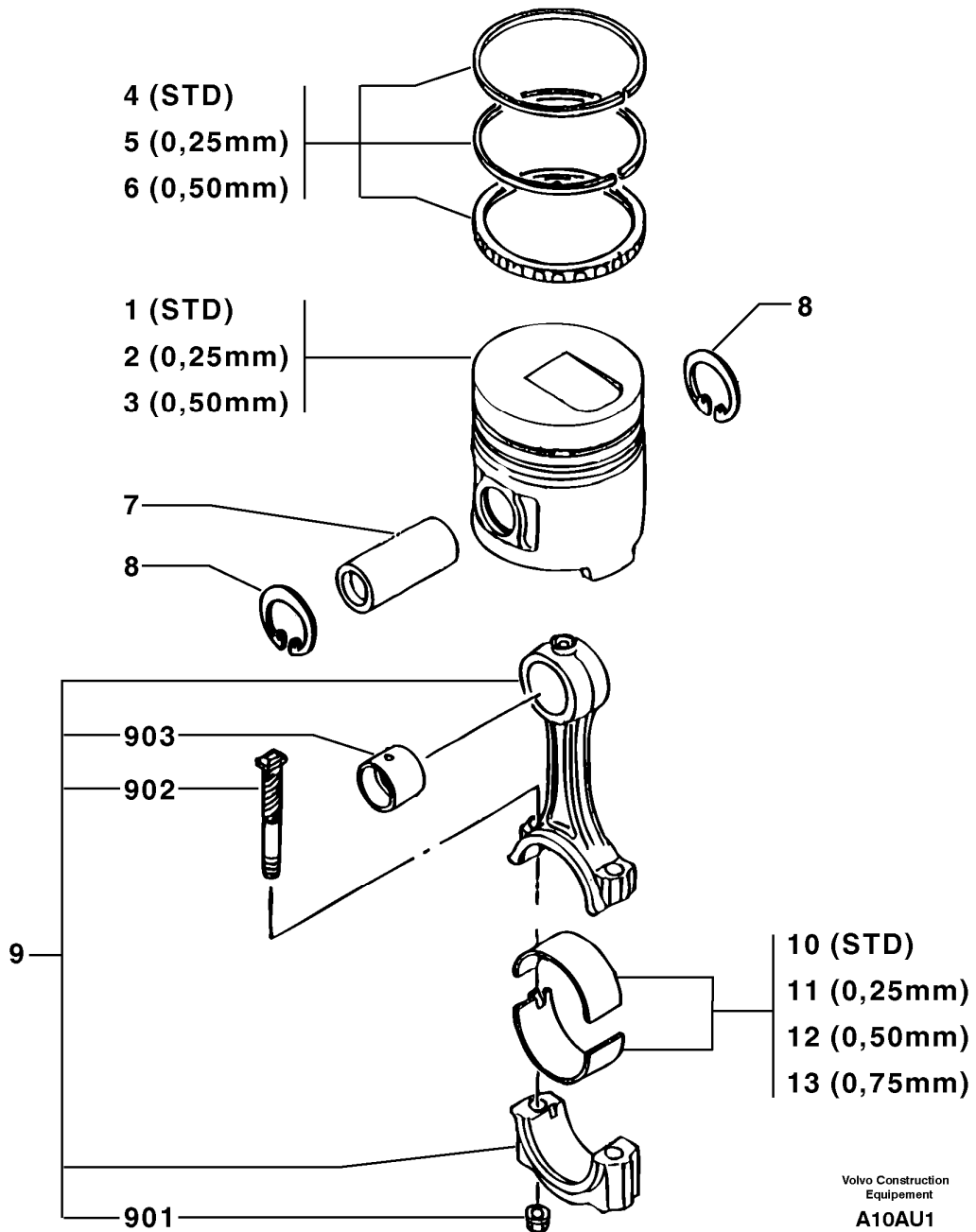
Date: 2013/12/15	Image id: A10U1	Catalogue: 10015	Model: EW70
Brand: Volvo	Serial: 10151-99999	Group/Section: 213/100	Title: Pistons / connecting rods ENG - 35169



Q1-Q5	Option	Option description	
Q1.			

Pos	Part	Q1	Q2	Q3	Q4	Q5	PS	Kit	Description	Option(s)	Remark
1	PJ7416478	4							Piston		STD SZ
2	PJ7416479	4							Piston		0,25mm/0.0098in
3	PJ7416480	4							Piston		0,50mm/0.0197in
4	PJ7416495	4							Piston rings (kit)		STD SZ
5	PJ7416496	4							Piston rings (kit)		0,25mm/0.0098in
6	PJ7416497	4							Piston rings (kit)		0,50mm/0.0197in
7	PJ7416481	4							Piston pin		
8	PJ7416501	8							Snap Ring		
9	PJ7416482	4							Piston rod		
10	PJ7416485	8							Bearing Bushing		STD SZ
11	PJ7416486	8							Bearing Bushing		0,25mm/0.0098in
12	PJ7416487	8							Bearing Bushing		0,50mm/0.0197in
13	PJ7416488	8							Bearing Bushing		0,75mm/0.0295in
901	PJ7416477	8							Nut		
902	PJ7416483	8							Screw		
903	PJ7416484	4							Bushing		

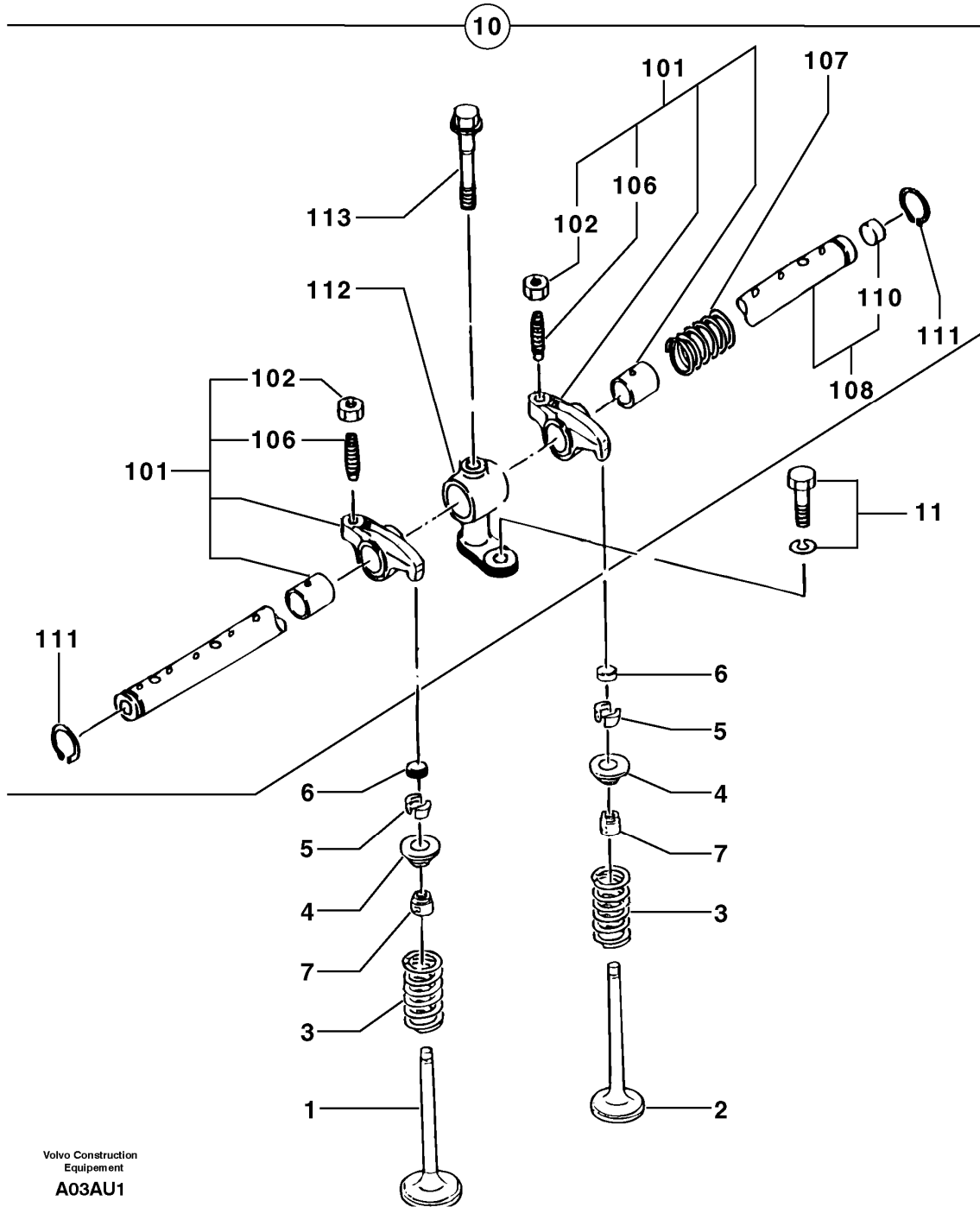
Date: 2013/12/15	Image id: A10AU1	Catalogue: 10015	Model: EW70
Brand: Volvo	Serial: 10151-99999	Group/Section: 213/200	Title: Pistons / connecting rods ENG 35170 -



Q1-Q5	Option	Option description	
Q1.			

Pos	Part	Q1	Q2	Q3	Q4	Q5	PS	Kit	Description	Option(s)	Remark
1	PJ7416478	4							Piston		STD SZ
2	PJ7416479	4							Piston		0,25mm/0.0098in
3	PJ7416480	4							Piston		0,50mm/0.0197in
4	PJ7416495	4							Piston rings (kit)		STD SZ
5	PJ7416496	4							Piston rings (kit)		0,25mm/0.0098in
6	PJ7416497	4							Piston rings (kit)		0,50mm/0.0197in
7	PJ7416481	4							Piston pin		ENG - 45823
7	PJ7418026	4							Piston pin		ENG 45824 -
8	PJ7416501	8							Snap Ring		
9	PJ7416482	4							Piston rod		
10	PJ7416485	1							Bearing Bushing		(PJ7416618)STD SZ
11	PJ7416619	1							Bearings (kit)		0,25mm/0.0098in
12	PJ7416620	1							Bearings (kit)		0,50mm/0.0197in
13	PJ7416621	1							Bearings (kit)		0,75mm/0.0295in
901	PJ7416477	8							Nut		
902	PJ7416483	8							Screw		
903	PJ7416484	4							Bushing		

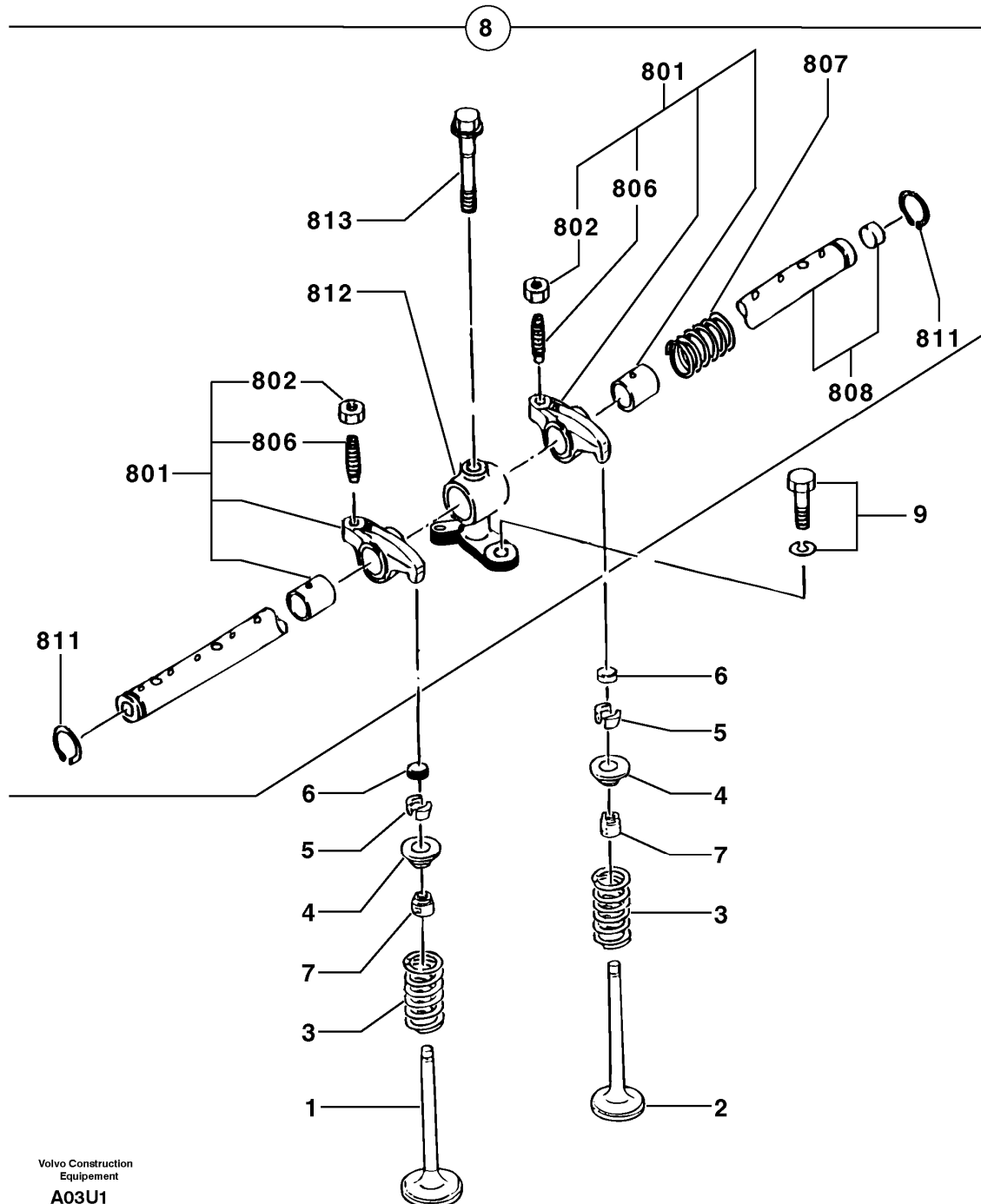
Date: 2013/12/15	Image id: A03U1	Catalogue: 10015	Model: EW70
Brand: Volvo	Serial: 10151-99999	Group/Section: 214/100	Title: Rocker arm shaft ENG - 35169



Pos	Part	Q1	Q2	Q3	Q4	Q5	PS	Kit	Description	Option(s)	Remark
1	PJ7416437	4							Inlet valve		

2	PJ7416419	4					SS		Exhaust Valve		
3	PJ7416403	8							Spring		
4	PJ7416404	8							Cup		
5	PJ7416427	16							Stop		
6	PJ7416405	8							Plug		
7	PJ7416417	8							Seal		
10	PJ7416418	1					NS		Rocker Arm Shaft		
11	PJ7416430	4							Attachment kit		
101	PJ7416420	8							Rocker Arm		
102	PJ7415320	8							Nut		
106	PJ7416433	8							Screw		
107	PJ7415545	3							Spring		
108	PJ7416423	1							Rocker Arm Shaft		
110	PJ7415331	2							Plug		
111	PJ7410135	2							Snap Ring		
112	PJ7416424	4							Support		
113	PJ7415546	4							Bolt		

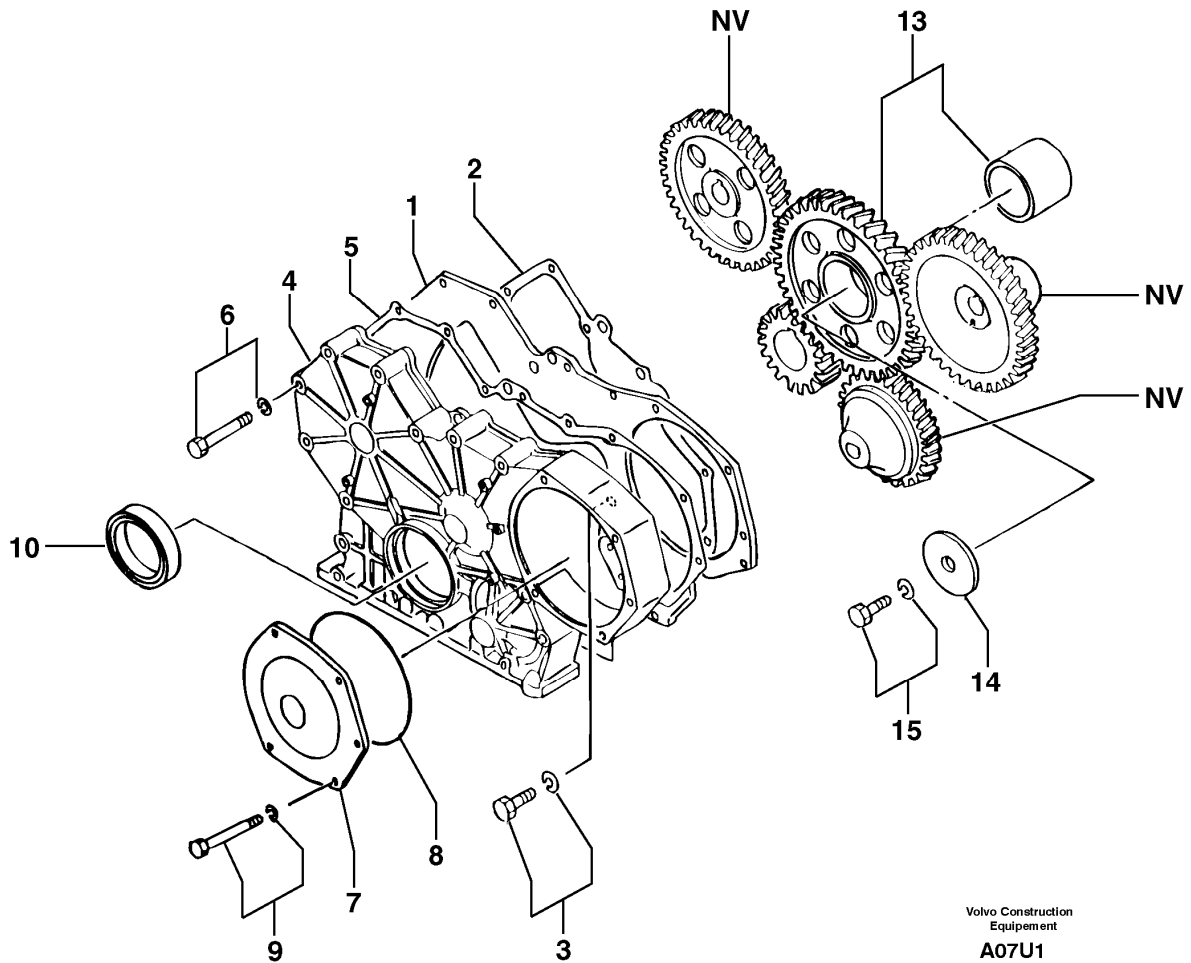
Date: 2013/12/15	Image id: A03AU1	Catalogue: 10015	Model: EW70
Brand: Volvo	Serial: 10151-99999	Group/Section: 214/200	Title: Rocker arm shaft ENG 35170 -



Q1-Q5	Option	Option description	
Q1.			

Pos	Part	Q1	Q2	Q3	Q4	Q5	PS	Kit	Description	Option(s)	Remark
1	PJ7416437	4							Inlet valve		
2	PJ7416419	4					SS		Exhaust Valve		
3	PJ7416403	8							Spring		
4	PJ7416404	8							Cup		
5	PJ7416427	16							Stop		
6	PJ7416405	8							Plug		
7	PJ7416417	8							Seal		
8	PJ7418016	1							Rocker Arm Shaft		
9	PJ7416430	4							Attachment kit		
801	PJ7418017	8							Rocker Arm		
802	PJ7415320	8							Nut		
806	PJ7415541	8							Screw with pin		
807	PJ7418018	3							Spring		
808	PJ7418019	1							Rocker Arm Shaft		
811	PJ7418020	2							Snap Ring		
812	PJ7418021	4							Support		
813	PJ7418022	4					OP		Bolt		

Date: 2013/12/15	Image id: A07U1	Catalogue: 10015	Model: EW70
Brand: Volvo	Serial: 10151-99999	Group/Section: 215/100	Title: Timing gear casing



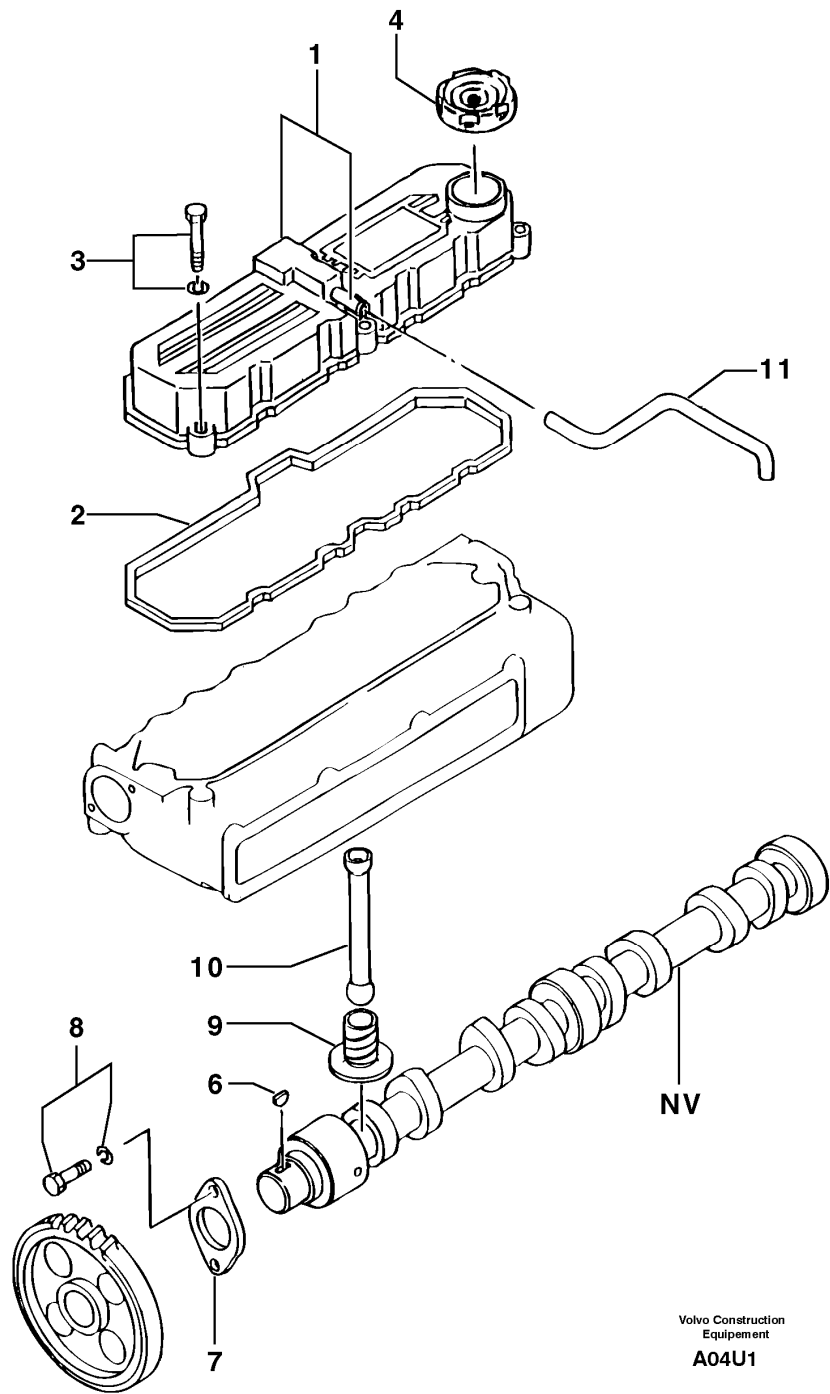
Volvo Construction
Equipment
A07U1

Q1-Q5	Option	Option description	
Q1 262.10151			

Pos	Part	Q1	Q2	Q3	Q4	Q5	PS	Kit	Description	Option(s)	Remark
1	PJ7416462	1							Plate		
2	PJ7416457	1							Seal		
3	PJ7416429	5							Attachment kit		
4	PJ7416459	1							Oil Pan		
5	PJ7416460	1							Seal		
6	PJ7416470	13							Attachment kit		
7	PJ7416461	1							Cover		

8	PJ7416455	1							O-ring		
9	PJ7415341	5							Attachment kit		
10	PJ7416474	1							Seal		
13	PJ7416464	1							Hub Gear		
14	PJ7416467	1							Washer		
15	PJ7416471	1							Attachment kit		

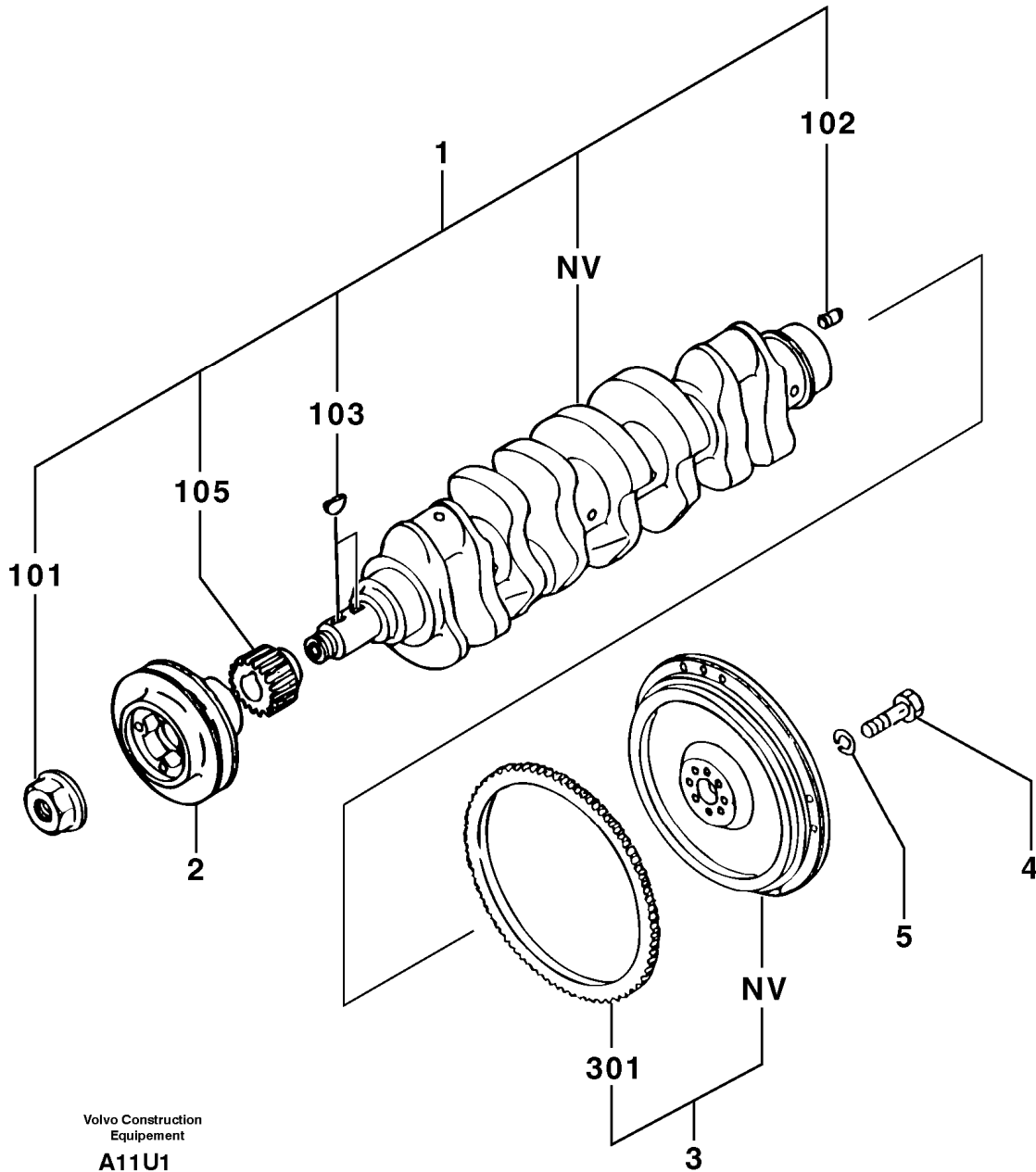
Date: 2013/12/15	Image id: A04U1	Catalogue: 10015	Model: EW70
Brand: Volvo	Serial: 10151-99999	Group/Section: 215/200	Title: Cover / camshaft



Q1-Q5	Option	Option description	
Q1 262.10151			

Pos	Part	Q1	Q2	Q3	Q4	Q5	PS	Kit	Description	Option(s)	Remark
1	PJ7416421	1							Cover		
2	PJ7416422	1							Gasket		
3	PJ7416431	5							Attachment kit		
4	PJ7410054	1							Filler cap		
6	PJ7416432	1							Key		
7	PJ7415441	1							Plate		
8	PJ7416429	2							Attachment kit		
9	PJ7416425	8							Tappet		
10	PJ7416426	8							Rod		
11	PJ7416435	1							Tube		

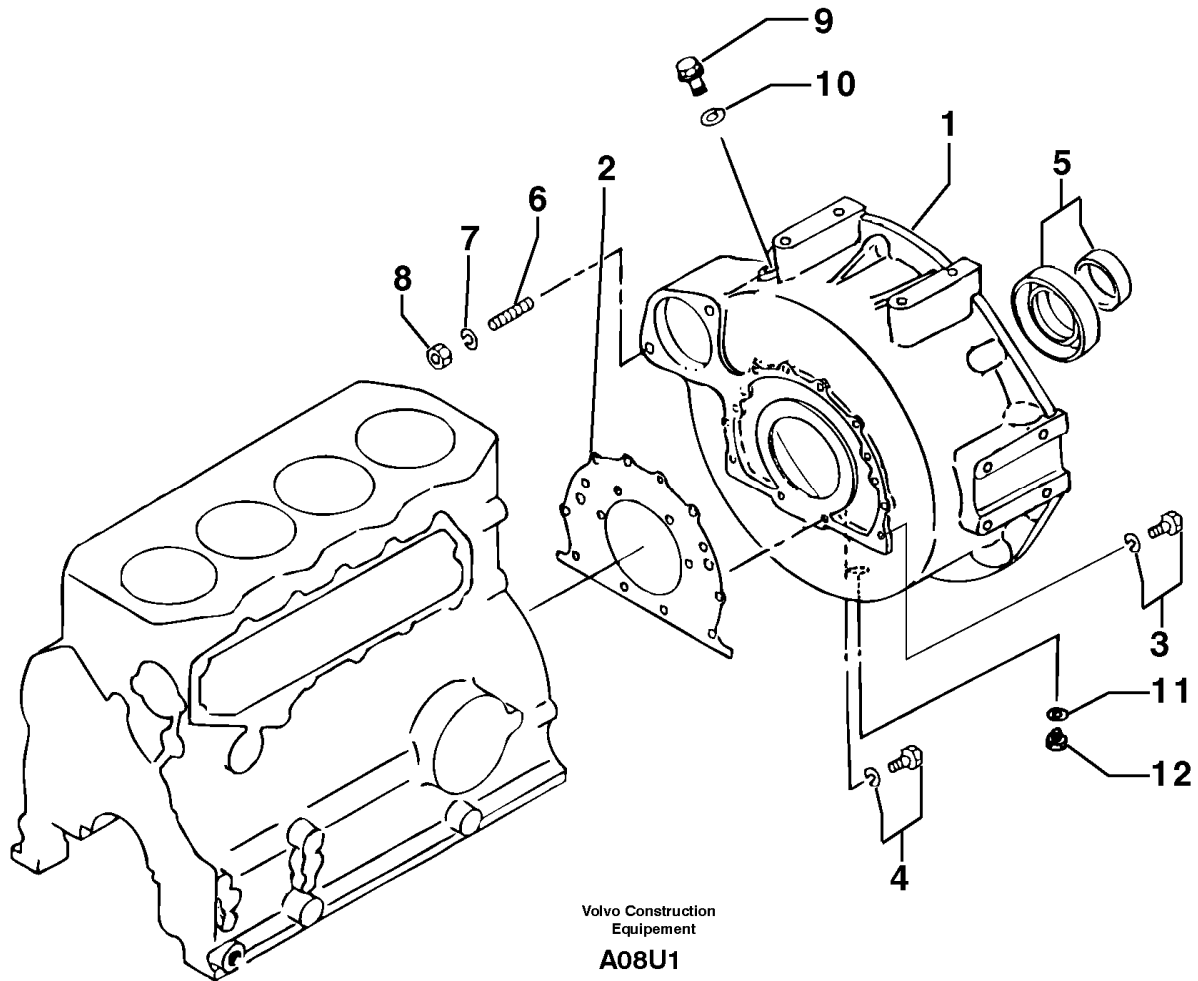
Date: 2013/12/15	Image id: A11U1	Catalogue: 10015	Model: EW70
Brand: Volvo	Serial: 10151-99999	Group/Section: 216/100	Title: Crankshaft / flywheel



Q1-Q5	Option	Option description	
Q1 262.10151			

Pos	Part	Q1	Q2	Q3	Q4	Q5	PS	Kit	Description	Option(s)	Remark
1	PJ7416489	1							Crankshaft		
2	PJ7416490	1							Pulley		
3	PJ7416614	1							Flywheel		
4	PJ7416498	4							Screw		
5	PJ7416499	4					SS		Lock Washer		
101	PJ7416491	1							Nut		
102	PJ7416500	2							Lock		
103	PJ7416432	2							Key		
105	PJ7416493	1							Hub Gear		
301	PJ7416492	1							Tooth Wheel		

Date: 2013/12/15	Image id: A08U1	Catalogue: 10015	Model: EW70
Brand: Volvo	Serial: 10151-99999	Group/Section: 216/200	Title: Flywheel housing

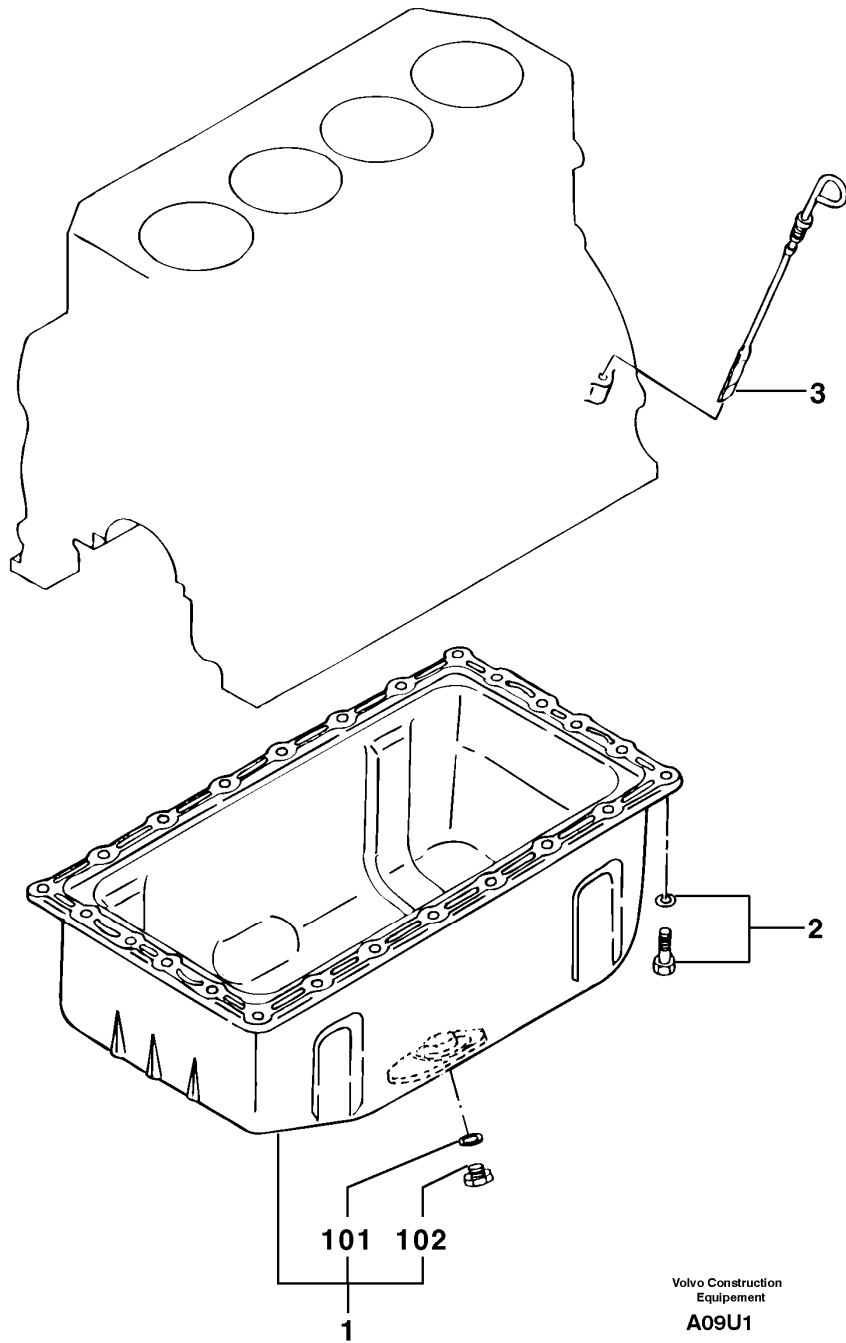


Q1-Q5	Option	Option description	
Q1 262.10151			

Pos	Part	Q1	Q2	Q3	Q4	Q5	PS	Kit	Description	Option(s)	Remark
1	PJ7416466	1							Flywheel housing		
2	PJ7416458	1							Seal		
3	PJ7416472	10							Attachment kit		
4	PJ7416473	2							Attachment kit		
5	PJ7416468	1							Seal		
6	PJ7416469	2							Stud		ENG - 35169

6	PJ7418121	2							Stud		ENG 35170 -
7	PJ7410127	2							Lock Washer		
8	PJ7410118	2							Nut		
9	PJ7416434	1							Plug		
10	PJ7416242	1							Seal		
11	PJ7416454	1							Bushing		ENG - 35169
11	VOE11715851	1							Sealing		(PJ7410040)ENG 35170 -
12	PJ7416476	1							Plug		ENG - 35169
12	PJ7410579	1							Plug		ENG 35170 -

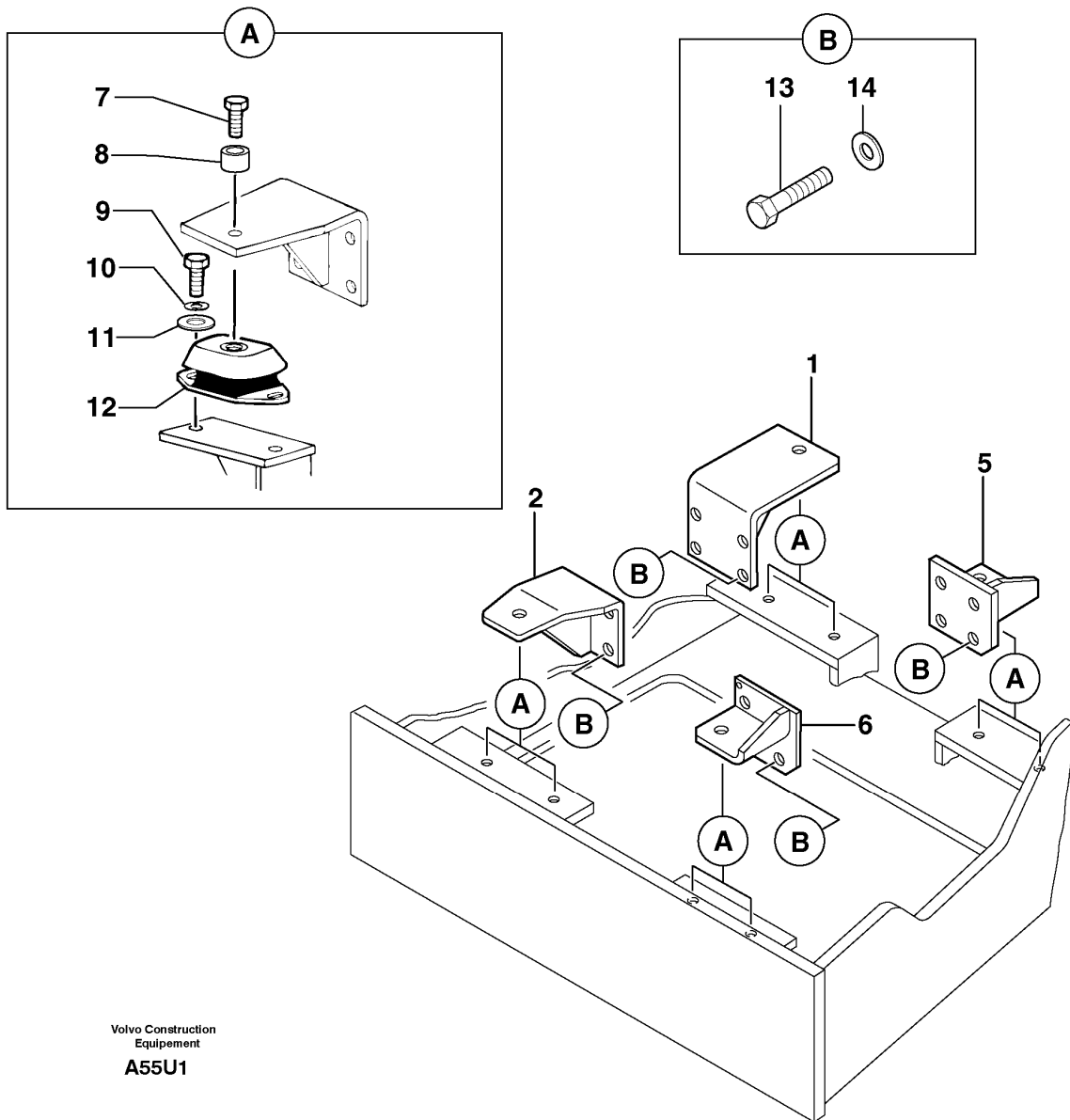
Date: 2013/12/15	Image id: A09U1	Catalogue: 10015	Model: EW70
Brand: Volvo	Serial: 10151-99999	Group/Section: 217/100	Title: Lubrication oil sump



Q1-Q5	Option	Option description	
Q1 262.10151			

Pos	Part	Q1	Q2	Q3	Q4	Q5	PS	Kit	Description	Option(s)	Remark
1	PJ7416463	1							Oil pan		
2	PJ7416429	24							Attachment kit		
3	PJ7416465	1							Oil Dipstick		
101	PJ7416475	1							Seal		
102	PJ7416456	1							Plug		

Date: 2013/12/15	Image id: A55U1	Catalogue: 10015	Model: EW70
Brand: Volvo	Serial: 10151-99999	Group/Section: 218/100	Title: Engine mounts



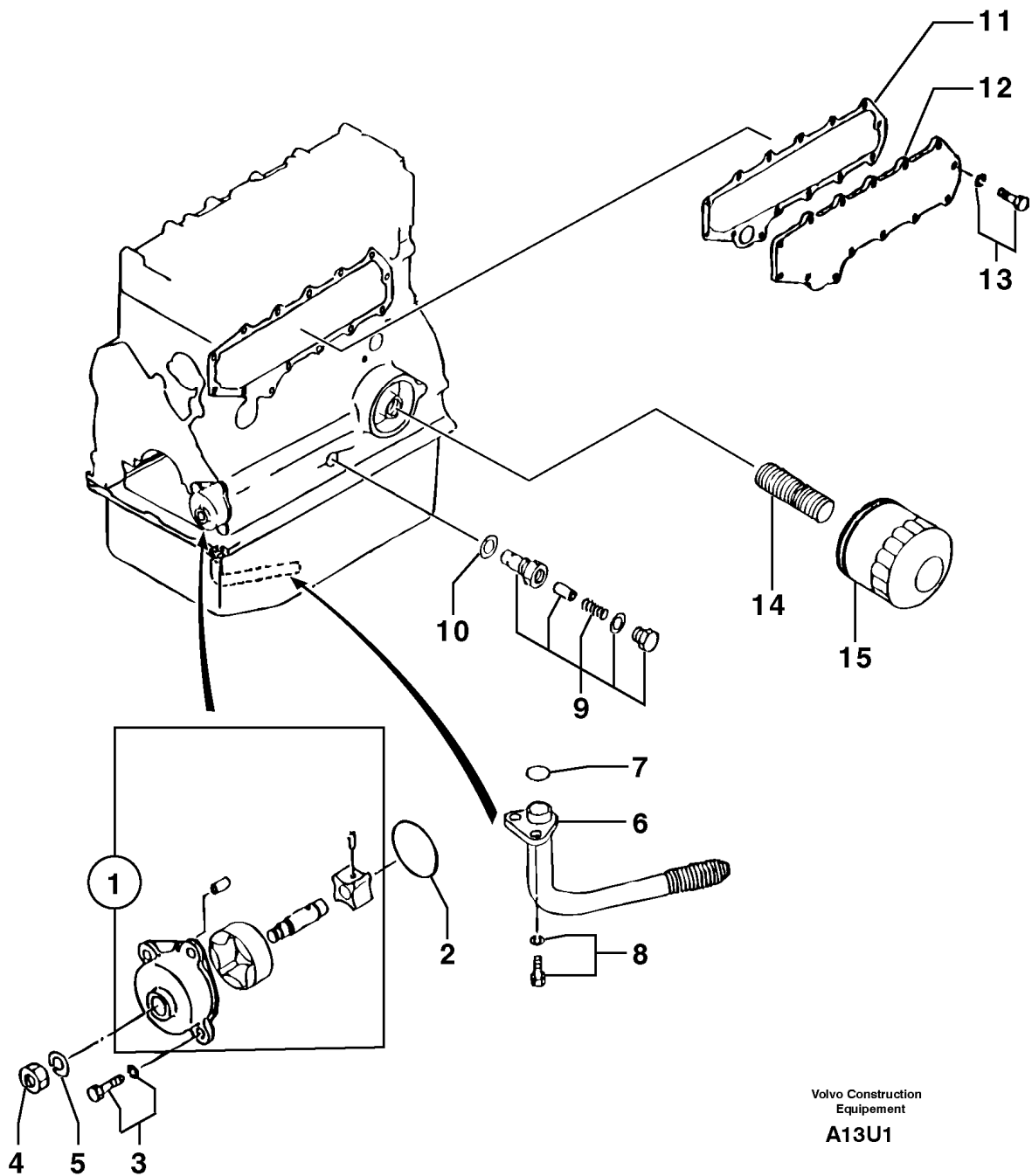
Volvo Construction
Equipment
A55U1

Q1-Q5	Option	Option description	
Q1	262.10151		

Pos	Part	Q1	Q2	Q3	Q4	Q5	PS	Kit	Description	Option(s)	Remark
1	PJ3811729	1							Engine Bracket		LH

2	PJ3811730	1							Engine Bracket		LH
5	PJ3811731	1							Engine Bracket		RH
6	PJ3811732	1							Engine Bracket		RH
7	PJ4370041	4					OP		Screw		HM16X55
8	PJ3850017	4							Spacer		
9	PJ4380065	8							Screw		HM12X20
10	VOE11804249	8							Washer		(PJ4490002)M12
11	PJ4460043	8							Washer		LL12U
12	VOE14266108	4							Rubber damper		(PJ5140114)
13	VOE978932	16							Hexagon screw		(PJ4370023)HM12X30
14	VOE11804249	16							Washer		(PJ4490002)M12

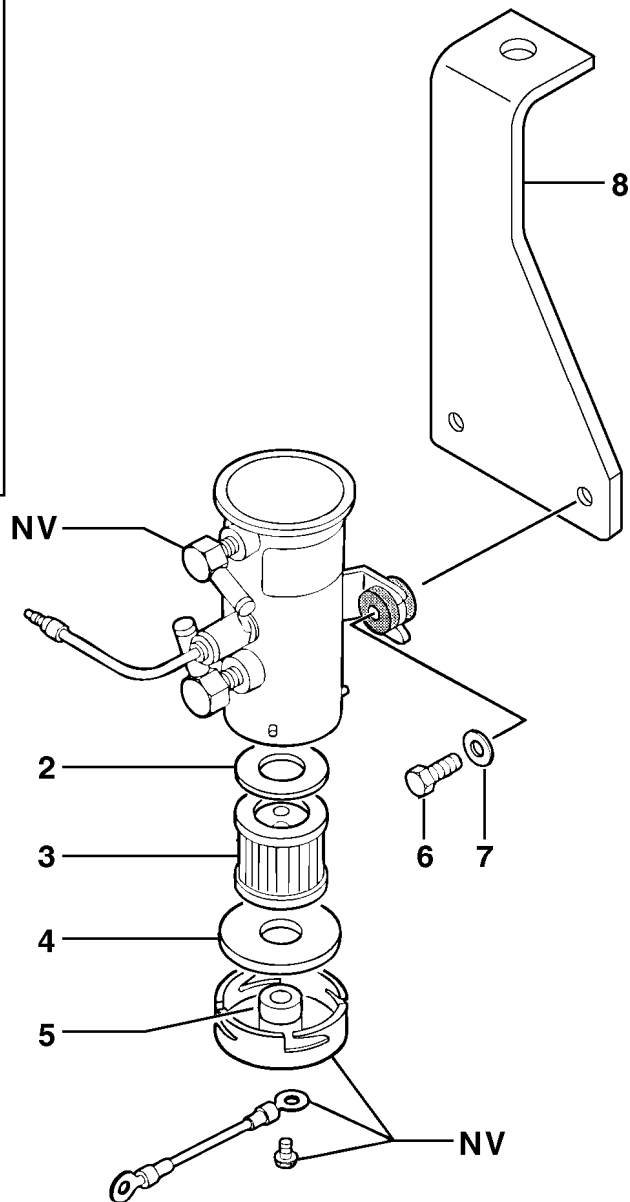
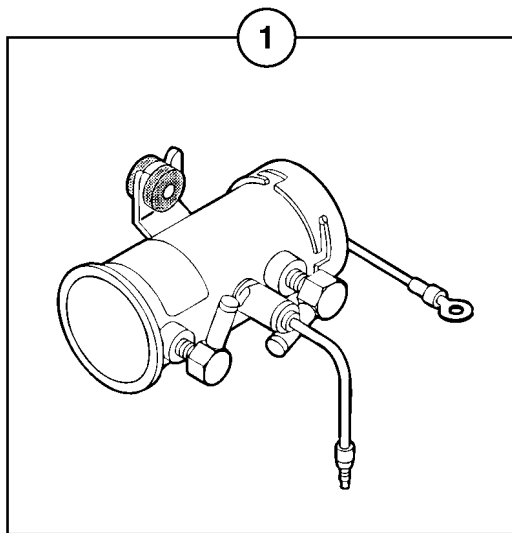
Date: 2013/12/15	Image id: A13U1	Catalogue: 10015	Model: EW70
Brand: Volvo	Serial: 10151-99999	Group/Section: 221/100	Title: Oil pump and oil filter



Q1-Q5	Option	Option description	
Q1 262.10151			

Pos	Part	Q1	Q2	Q3	Q4	Q5	PS	Kit	Description	Option(s)	Remark
1	PJ7416510	1							Oil Pump		
2	PJ7416503	1							O-ring		
3	PJ7416436	4							Attachment kit		
4	PJ7410121	1							Nut		
5	PJ7410127	1							Lock Washer		
6	PJ7416511	1							Strainer		
7	PJ7416528	1							O-ring		
8	PJ7416429	2							Attachment kit		
9	PJ7416512	1							Valve		
10	PJ7415325	1							O-ring		
11	PJ7416514	1							Gasket		
12	PJ7416513	1							Cover		
13	PJ7416429	14							Attachment kit		
14	PJ7416516	1							Nipple		
15	PJ7416515	1							Oil Filter		
15	PJ7416515/20	1					SS		Filter Kit		

Date: 2013/12/15	Image id: A57U1	Catalogue: 10015	Model: EW70
Brand: Volvo	Serial: 10151-99999	Group/Section: 233/100	Title: Fuel pump



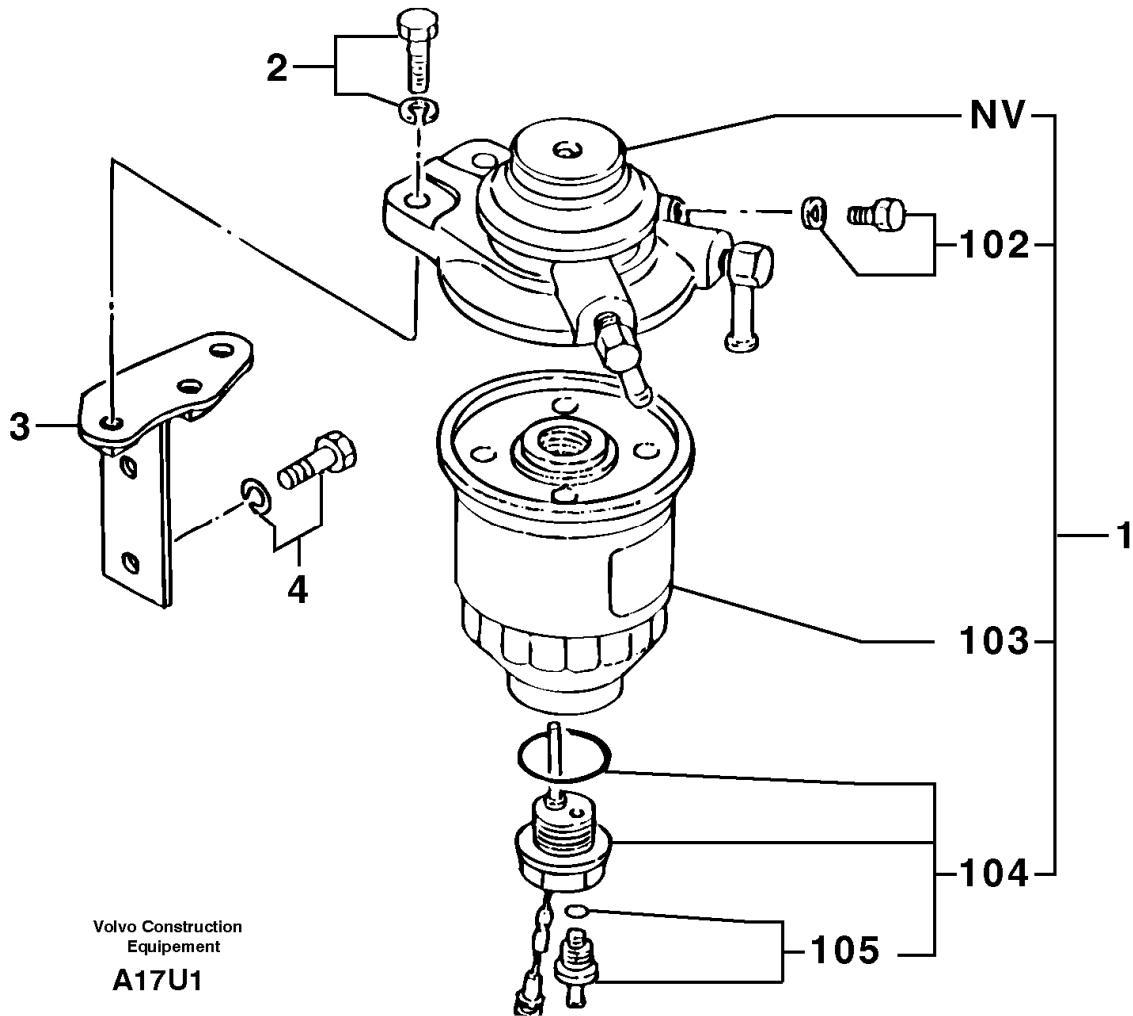
Volvo Construction
Equipment
A57U1

Q1-Q5	Option	Option description	
Q1	262.10151		

Pos	Part	Q1	Q2	Q3	Q4	Q5	PS	Kit	Description	Option(s)	Remark
-----	------	----	----	----	----	----	----	-----	-------------	-----------	--------

1	PJ5370202	1					SS		Fuel pump		
2	PJ7410296	1							•Seal		
3	PJ7410252	1							•Filter		
4	PJ7410295	1							•Seal		
5	PJ7410297	1							•Magnet		
6	PJ4380033	2							Screw		HM6X25
7	VOE11806142	2							Washer		(PJ4490014)M6
8	PJ3560675	1							Support		

Date: 2013/12/15	Image id: A17U1	Catalogue: 10015	Model: EW70
Brand: Volvo	Serial: 10151-99999	Group/Section: 233/200	Title: Fuel filter



Q1-Q5	Option	Option description	
Q1 262.10151 262.12195			

Pos	Part	Q1	Q2	Q3	Q4	Q5	PS	Kit	Description	Option(s)	Remark
1	PJ7416593	1							Fuel filter		
2	PJ7416580	2					SS		Attachment kit		
3	PJ7416579	1							Support		
4	PJ7416429	2							Attachment kit		

Thank you so much for reading.
Please click the “Buy Now!”
button below to download the
complete manual.



After you pay.

You can download the most
perfect and complete manual in
the world immediately.

Our support email:

ebooklibonline@outlook.com