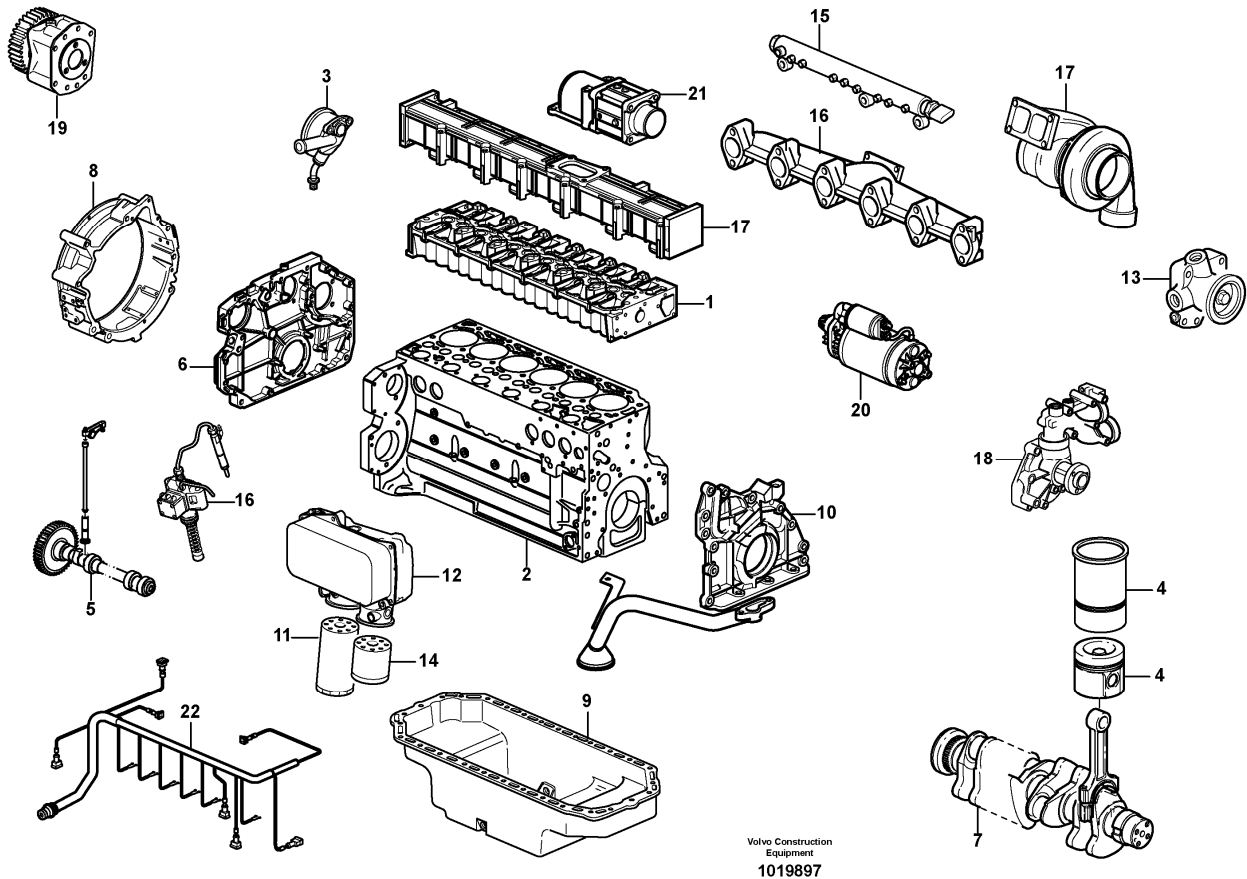


Date: 2014/2/24	Image id: 1019897	Catalogue: 20106	Model: L110F
Brand: Volvo	Serial: 3503-, 61501-, 70601-	Group/Section: 210/100	Title: Engine

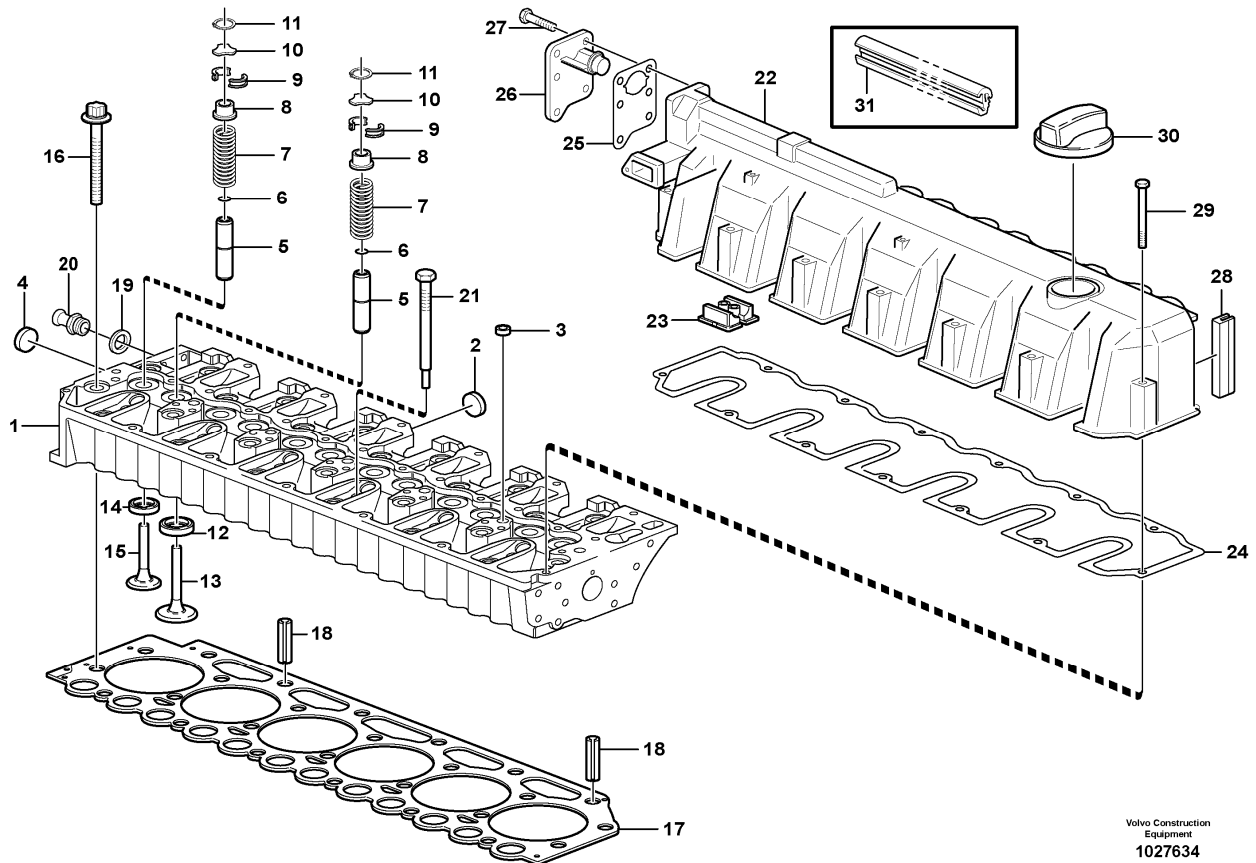


Section option	Kit	Option description
VOE11410961		Engine VOLVO D7ELBE3

Pos	Part	Q1	Q2	Q3	Q4	Q5	PS	Kit	Description	Option(s)	Remark
	VOE11410961	1							Engine		D7ELBE3 S/N - 4925 SWE S/N - 70759 BRA
	VOE11410961	1							Engine		D7ELBE3 85467, 85468, 85469 S/N 4926 - SWE S/N 70760 - BRA
1		1							•Cylinder head		See ref 211/100
2		1							•Cylinder block		See ref 212/100
3		1							•Crankcase Venti		See ref 212/150
4		1							•Cylinder Liner		See ref 213/100
5		1							•Camshaft		See ref 214/100
6		1							•Timing gear casing		See ref 215/100
7		1							•Crankshaft		See ref 216/100

8		1							•Flywheel Hsg		See ref 216/150
9		1							•Oil Pan		See ref 217/100
10		1							•Lubricating system		See ref 221/100
11		1							•Oil Filter		See ref 222/100
12		1							•Oil Cooler		See ref 223/100
13		1							•Fuel pump		See ref 233/100
14		1							•Fuel Filter		See ref 233/150
15		1							•Rail		See ref 237/100
16		1							•Exhaust Pipe		See ref 251/100
17		1							•Turbocharger		See ref 255/100
18		1							•Coolant Pump		See ref 262/100
19		1							•Pump drive		See ref 263/450
20		1							•Starter motor		See ref 331/100
21		1							•Starter Element		See ref 333/100
22		1							•Cable harness		See ref 371/150

Date: 2014/2/24	Image id: 1027634	Catalogue: 20106	Model: L110F
Brand: Volvo	Serial: 3503-, 61501-, 70601-	Group/Section: 211/100	Title: Cylinder head



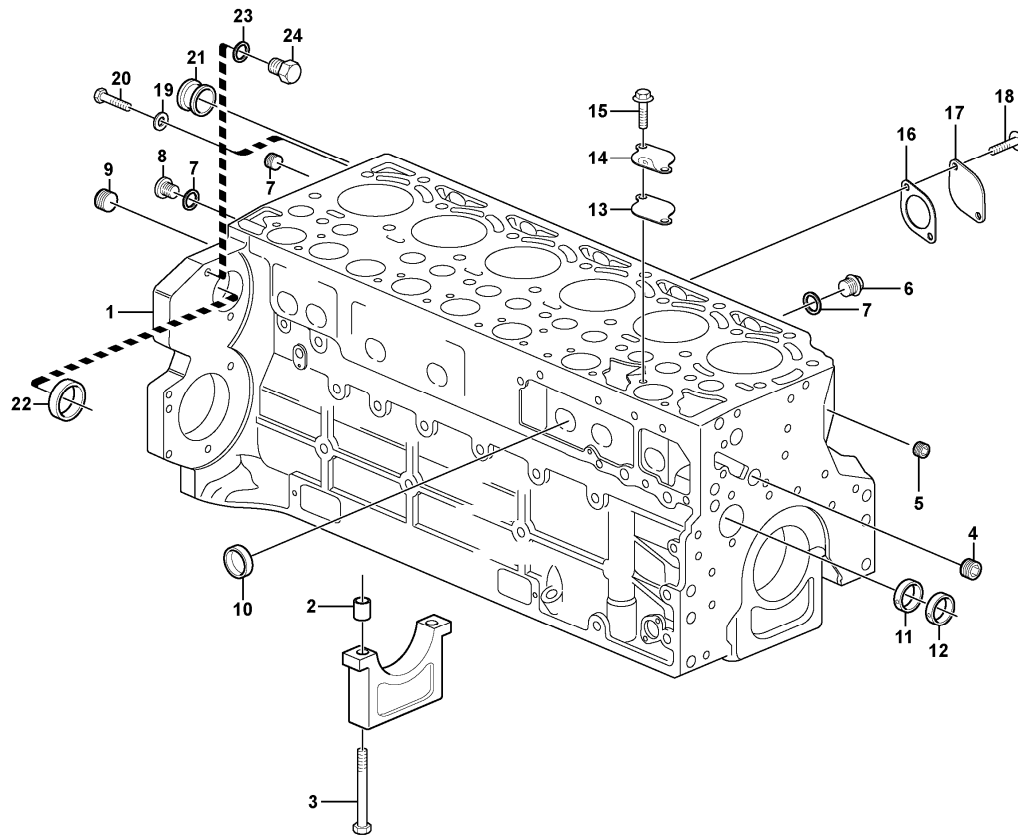
Volvo Construction
Equipment
1027634

Section option	Kit	Option description
VOE11410961		Engine VOLVO D7ELBE3

Pos	Part	Q1	Q2	Q3	Q4	Q5	PS	Kit	Description	Option(s)	Remark
1	VOE20799762	1							Cylinder head		
2	VOE20799722	5							•Plug		
3	VOE20412733	5							•Core plug		
4	VOE20914266	2							•Core Plug		
5	VOE20405897	12							•Valve guide		
6	VOE11700348	12							•O-ring		
7	VOE11700347	12							•Valve spring		
8	VOE20847155	12							•Retainer		
9	VOE11700345	24							•Valve sleeve		
10	VOE20840807	12							•Thrust Washer		
11	VOE20840772	12							•Snap Ring		

12	VOE20459962	6							•Valve seat		
13	VOE20758481	6							•Inlet valve		
14	VOE20845144	6							•Valve seat		
15	VOE21739130	6							•Exhaust Valve		(VOE20755883)
16	VOE11700334	26							Screw		
17	VOE20943385	1							Cyl Head Gasket		THICK=1,4MM, 1 HOLE
	VOE20949868	1							Cyl Head Gasket		THICK=1,5MM, 2 HOLE
	VOE20943389	1							Cyl Head Gasket		THICK=1,6MM, 3 HOLE
18	VOE20405521	2							Guide pin		
19	VOE993358	1							Gasket		
20	VOE20483764	1							Nipple		
21	VOE20405895	6							Plug		
22	VOE21036771	1							Valve Cover		
23	VOE20412600	1							•Cap		
24	VOE20792871	1							•Gasket		
25	VOE20840801	1							•Gasket		
26	VOE20933359	1							•Oil Separator		
27	VOE20797542	6							•Screw		
28	VOE20847667	1							•Sealing		
29	VOE21145471	13							Flange screw		
30	VOE20412589	1							Filler cap		
31	VOE20996748	1							Sealing Strip		

Date: 2014/2/24	Image id: 1056314	Catalogue: 20106	Model: L110F
Brand: Volvo	Serial: 3503-, 61501-, 70601-	Group/Section: 212/100	Title: Cylinder block



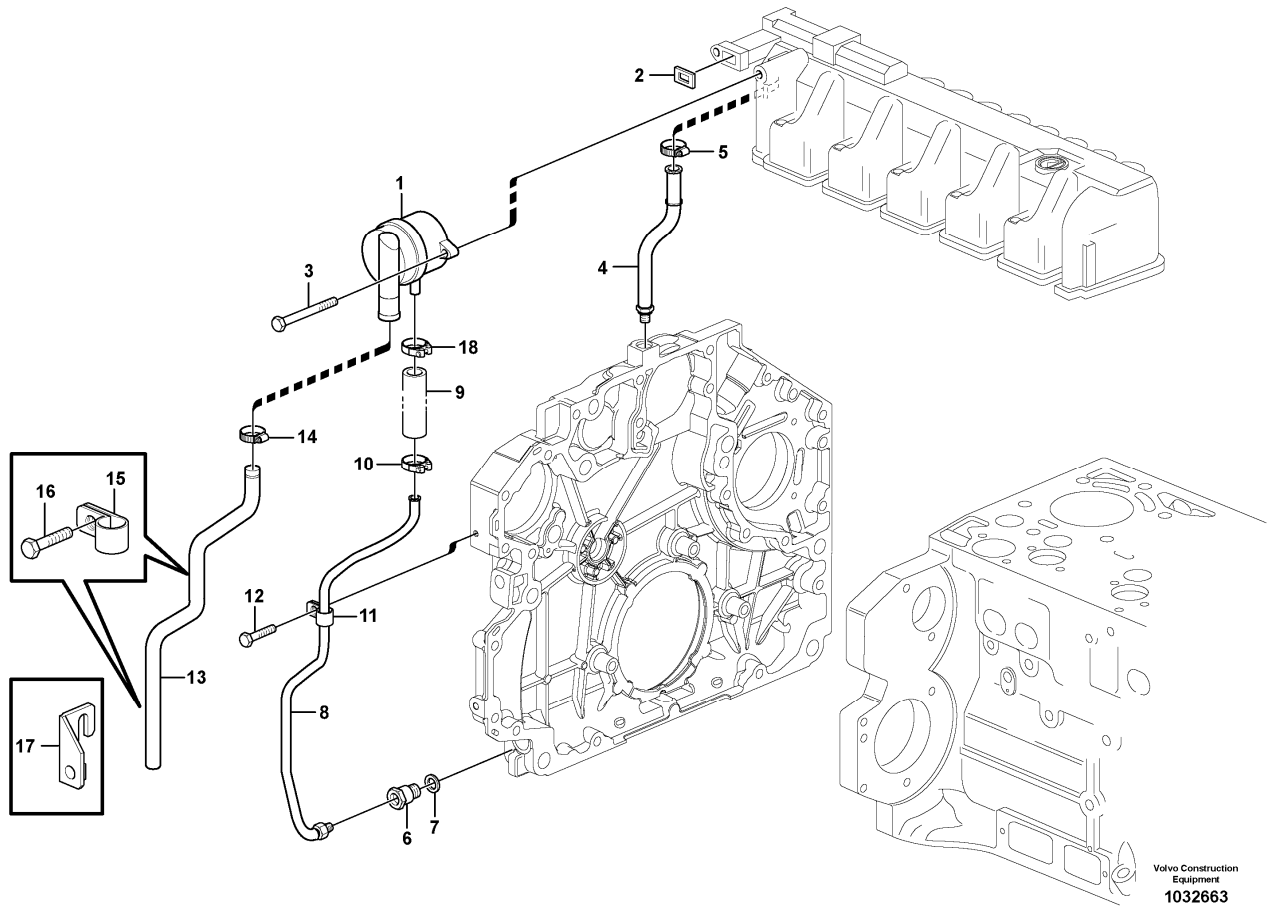
Volvo Construction
Equipment
1056314

Section option	Kit	Option description
VOE11410961		Engine VOLVO D7ELBE3

Pos	Part	Q1	Q2	Q3	Q4	Q5	PS	Kit	Description	Option(s)	Remark
1	VOE20851922	1							Crankcase		
2	VOE11700278	14							•Bushing		
3	VOE20405583	14							•Bolt		
4	VOE20405719	1							•Plug		
5	VOE20508600	2							•Plug		
6	VOE20405716	2							•Plug		
7	VOE13969011	3							•Gasket		
8	VOE945065	1							•Plug		
9	VOE20785813	1							•Plug		(VOE20508605)
10	VOE20405721	10							•Core plug		
11	VOE11700285	1							•Bearing bushing		

12	VOE11700284	6							•Bearing bushing		
13	VOE20933203	1							Gasket		
14	VOE20840812	1							Cover		
15	VOE20405792	2							Screw		
16	VOE20412341	1							Gasket		
17	VOE21180405	1							Flange		
18	VOE20405885	2							Screw		
19	VOE20460087	1							Washer		
20	VOE20460101	1							Screw		
21	VOE20794126	1							Bushing		
22	VOE20450778	1							Core plug		
23	VOE13947281	2							Gasket		
24	VOE20441859	2							Plug		

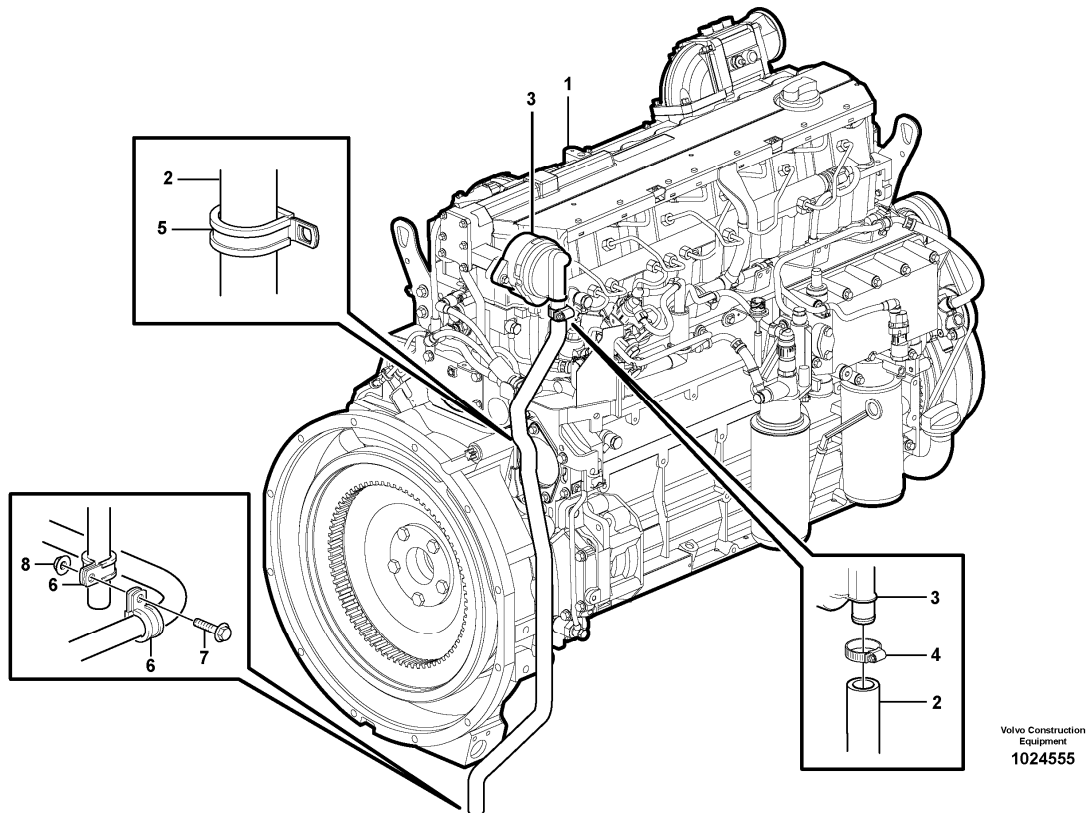
Date: 2014/2/24	Image id: 1032663	Catalogue: 20106	Model: L110F
Brand: Volvo	Serial: 3503-, 61501-, 70601-	Group/Section: 212/150	Title: Crankcase ventilation



Section option	Kit	Option description
VOE11410961		Engine VOLVO D7ELBE3

Pos	Part	Q1	Q2	Q3	Q4	Q5	PS	Kit	Description	Option(s)	Remark
1	VOE20930510	1							Pressure regulator		
2	VOE21038626	1							•Gasket		
3	VOE20405504	2							Screw		
4	VOE20820967	1							Oil Line		
5	VOE20799673	1							Hose Clamp		
6	VOE20841133	1							Dtt Regulator		
7	VOE20460026	1							Sealing ring		
8	VOE20904725	1							Oil Line		
9	VOE20821091	1					NS		•Rubber hose		
10	VOE20405568	1							•Clip		
11	VOE20798831	1							•Clamp		

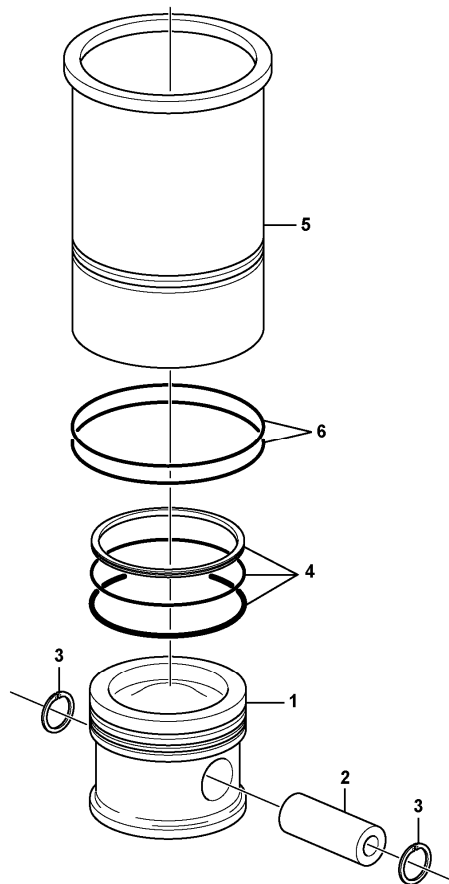
Date: 2014/2/24	Image id: 1024555	Catalogue: 20106	Model: L110F
Brand: Volvo	Serial: 3503-, 61501-, 70601-	Group/Section: 212/200	Title: Crankcase ventilation



Section option	Kit	Option description
VOE33381		Wheel Loader L110F

Pos	Part	Q1	Q2	Q3	Q4	Q5	PS	Kit	Description	Option(s)	Remark
1		1							Motor		See ref 210/100
2	VOE11445236	1							Hose		
3		1							Pressure Regulator		See ref 212/150
4	VOE13943474	1							Hose clamp		
5	VOE13949997	1							Clamp		
6	VOE13949997	2							Clamp		
7	VOE13946173	1							Screw		
8	VOE13945408	1							Nut		

Date: 2014/2/24	Image id: 1019005	Catalogue: 20106	Model: L110F
Brand: Volvo	Serial: 3503-, 61501-, 70601-	Group/Section: 213/100	Title: Cylinder liner and piston

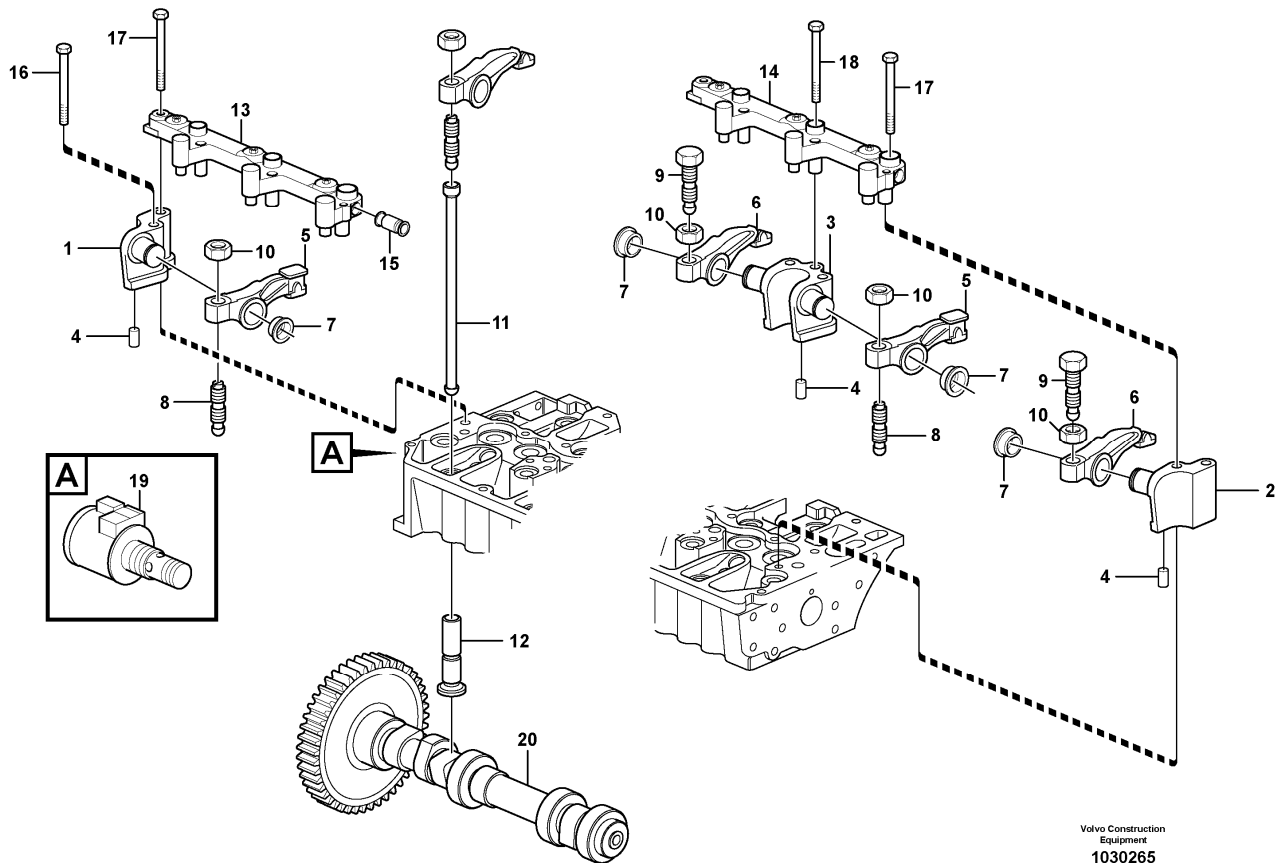


Volvo Construction
Equipment
1019005

Section option	Kit	Option description
VOE11410961		Engine VOLVO D7ELBE3

Pos	Part	Q1	Q2	Q3	Q4	Q5	PS	Kit	Description	Option(s)	Remark
	VOE20865990	6							Cyl Liner Kit		
1		6					NS		•Piston		
2	VOE20405577	6							••Gudgeon pin		
3	VOE20405576	12							••Retaining ring		
4	VOE21299547	6							••Piston ring kit		(VOE20450775)
5		6					NS		•Cylinder Liner		
6	VOE20412762	12							••O-ring		

Date: 2014/2/24	Image id: 1030265	Catalogue: 20106	Model: L110F
Brand: Volvo	Serial: 3503-, 61501-, 70601-	Group/Section: 214/100	Title: Valve mechanism

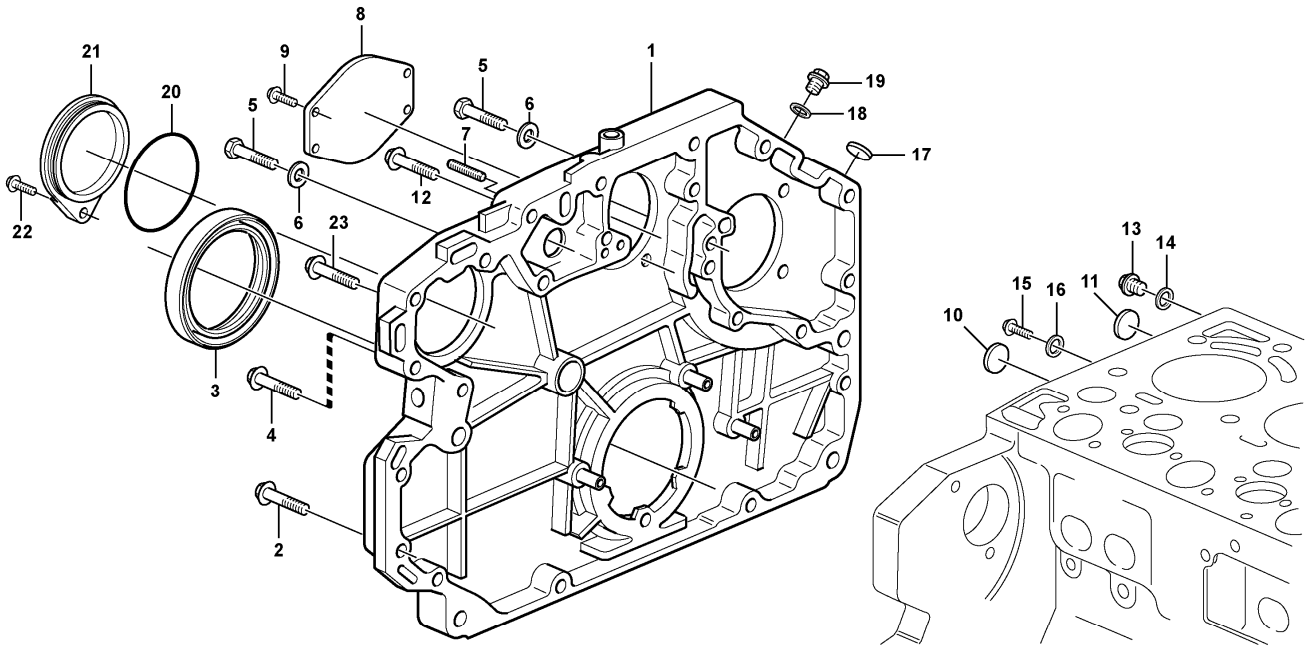


Section option	Kit	Option description
VOE11410961		Engine VOLVO D7ELBE3

Pos	Part	Q1	Q2	Q3	Q4	Q5	PS	Kit	Description	Option(s)	Remark
1	VOE20794124	1							Bracket		(VOE21066484)
2	VOE20826696	1							Bracket		(VOE21066474)
3	VOE20793045	5							Bracket		(VOE21066482)
4	VOE20790837	7							Pin		
5	VOE20792878	6							Rocker Arm		
6	VOE21448926	6							Rocker arm		(VOE20792876)
7	VOE20794115	12							Retaining ring		
8	VOE20913851	6							Adjusting Screw		
9	VOE20816389	6							Adjusting Screw		
10	VOE11700373	12							Nut		
11	VOE20405534	12							Push rod		

12	VOE20792475	12							Tappet		
13	VOE20802124	1							Actuator		
14	VOE20802121	1							Actuator		
15	VOE20798864	1							Pipe		
16	VOE20405723	7							Screw		
17	VOE20799653	7							Bolt		
18	VOE20450802	3							Screw		
19	VOE20795296	1							Solenoid valve		MA2504
20	VOE21012455	1							Camshaft		

Date: 2014/2/24	Image id: 1019841	Catalogue: 20106	Model: L110F
Brand: Volvo	Serial: 3503-, 61501-, 70601-	Group/Section: 215/100	Title: Timing gear casing



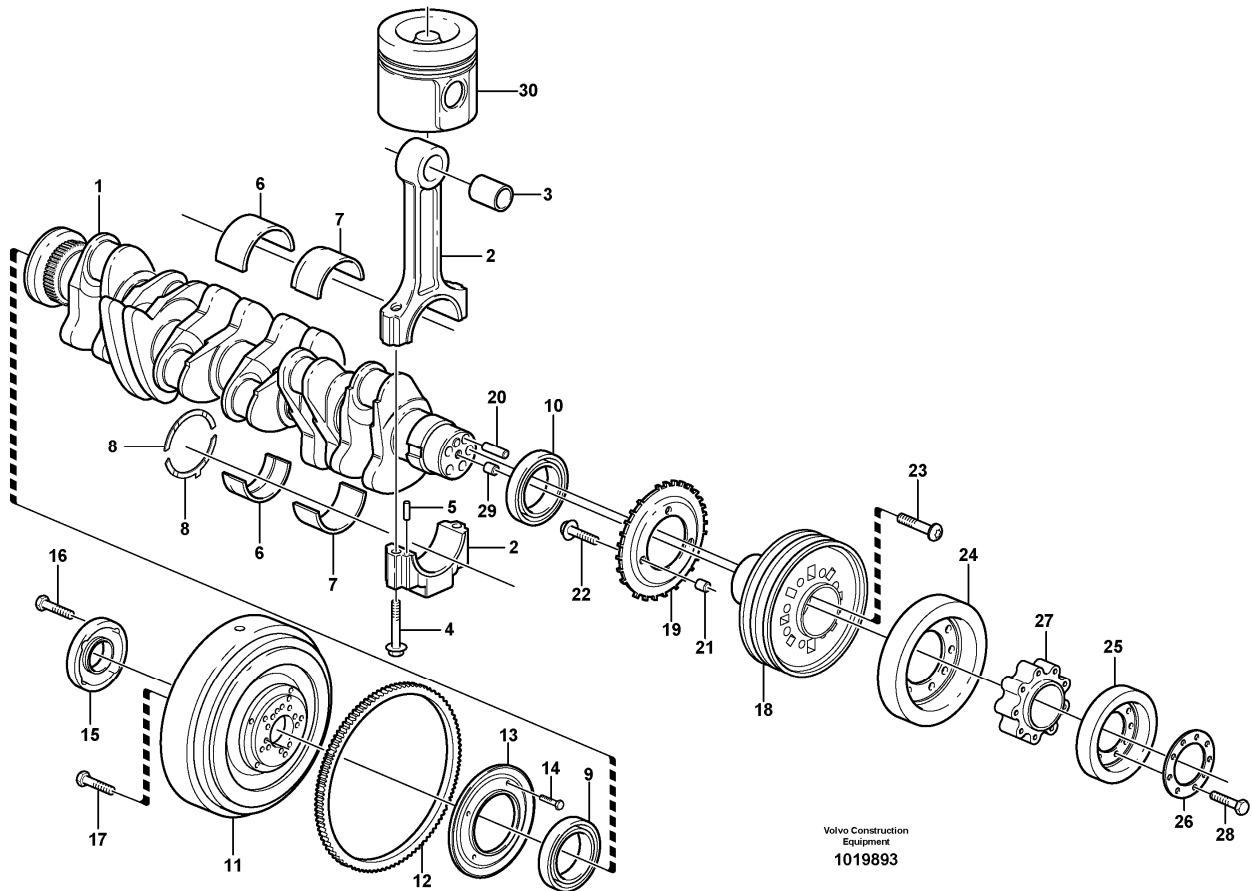
Volvo Construction
Equipment
1019841

Section option	Kit	Option description
VOE11410961		Engine VOLVO D7ELBE3

Pos	Part	Q1	Q2	Q3	Q4	Q5	PS	Kit	Description	Option(s)	Remark
1	VOE20972356	1							Timing gear casing		
2	VOE20412324	12							Screw		
3	VOE20412286	1							Sealing ring		
4	VOE20405709	4							Screw		
5	VOE20534597	2							Screw		
6	VOE13955900	2							Washer		
7	VOE20450795	1							Set screw		
8	VOE20450799	1							Cover		
9	VOE20405709	4							Screw		
10	VOE20412745	1							Core plug		
11	VOE20490808	1							Cover		

12	VOE20450801	1							Screw		
13	VOE20451012	1							Screw		
14	VOE13947621	1							Plane gasket		
15	VOE20405898	1							Screw		
16	VOE20460087	1							Washer		
17	VOE20405605	1							Cover		
18	VOE13947621	1							Plane gasket		
19	VOE20451012	1							Screw		
20	VOE20405652	1							Sealing ring		
21	VOE20950063	1							Cover		
22	VOE20450802	1							Screw		
23	VOE20405709	1							Screw		

Date: 2014/2/24	Image id: 1019893	Catalogue: 20106	Model: L110F
Brand: Volvo	Serial: 3503-, 61501-, 70601-	Group/Section: 216/100	Title: Crankshaft and related parts

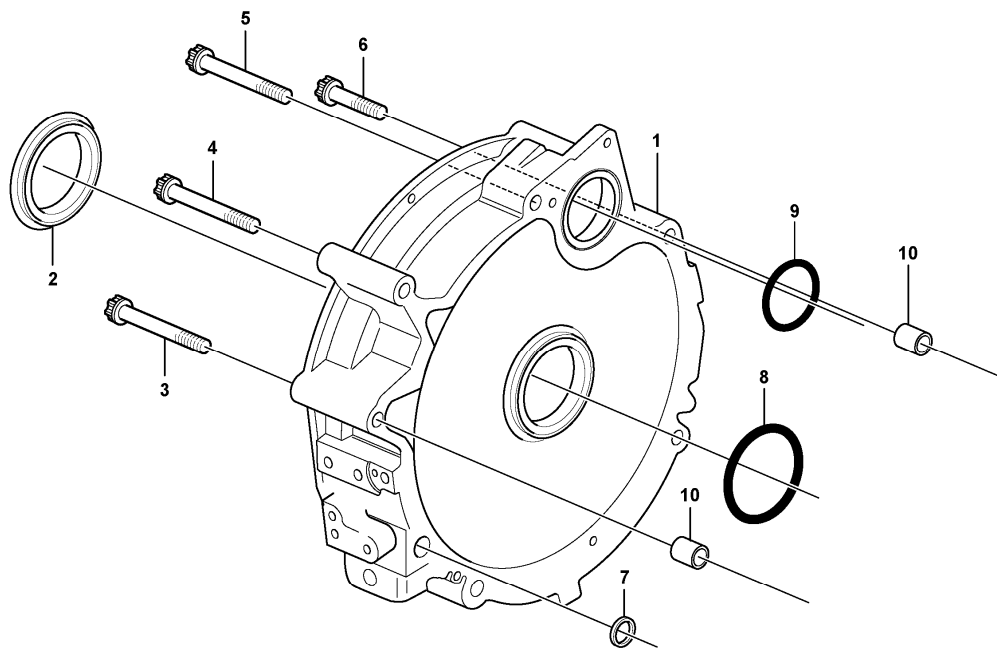


Section option	Kit	Option description
VOE11410961		Engine VOLVO D7ELBE3

Pos	Part	Q1	Q2	Q3	Q4	Q5	PS	Kit	Description	Option(s)	Remark
1	VOE21245957	1							Crankshaft		(VOE20875042)
2	VOE20585982	6							Connecting Rod		
3	VOE11700325	6							•Bushing		
4	VOE11700326	12							•Bolt		
5	VOE20459134	12							•Pin		
6	VOE21141948	7							Main bearing		(VOE20405516)STD = 85,00 MM
	VOE21234191	REQ							Main bearing		(VOE20405529)U SZ = 84,75 MM
	VOE20405541	REQ							Main bearing		U SZ = 84,50 MM
7	VOE20766790	6							Big-end Bearing		STD = 68,00 MM
	VOE20790423	REQ							Big-end Bearing		U SZ = 67,75 MM

	VOE20790428	REQ							Big-end Bearing		U SZ = 67,50 MM
8	VOE20405899	1							Thrust Washer		STD = 2,9 MM
	VOE21141963	REQ							Raceway washer		(VOE11700315)O SZ = 3,1 MM
9		1							Sealing ring		See ref 215/100
10		1							Sealing ring		See ref 221/100
11	VOE20917910	1							Flywheel		
12	VOE20450830	1							•Gear		
13	VOE20918003	1							•Ring		
14	VOE20933839	4							•Screw		
15	VOE20460793	1							Flange		
16	VOE21000755	5							Screw		
17	VOE20450835	10							Screw		
18	VOE20483448	1							Pulley		
19	VOE20792423	1							Lock Washer		
20	VOE20450838	1							Pin		
21	VOE20450628	1							Pin		
22	VOE888289	3							Hexagon screw		
23	VOE20405724	4							Screw		
24	VOE20585446	1							Vibration damper		
25	VOE20460794	1							Vibration damper		
26	VOE20460800	1							Washer		
27	VOE20460799	1							Spacer		
28	VOE20460205	9							Screw		
29	VOE20405634	1							Spring pin		
30		1							Piston		See ref 213/100

Date: 2014/2/24	Image id: 1033647	Catalogue: 20106	Model: L110F
Brand: Volvo	Serial: 3503-, 61501-, 70601-	Group/Section: 216/150	Title: Flywheel housing

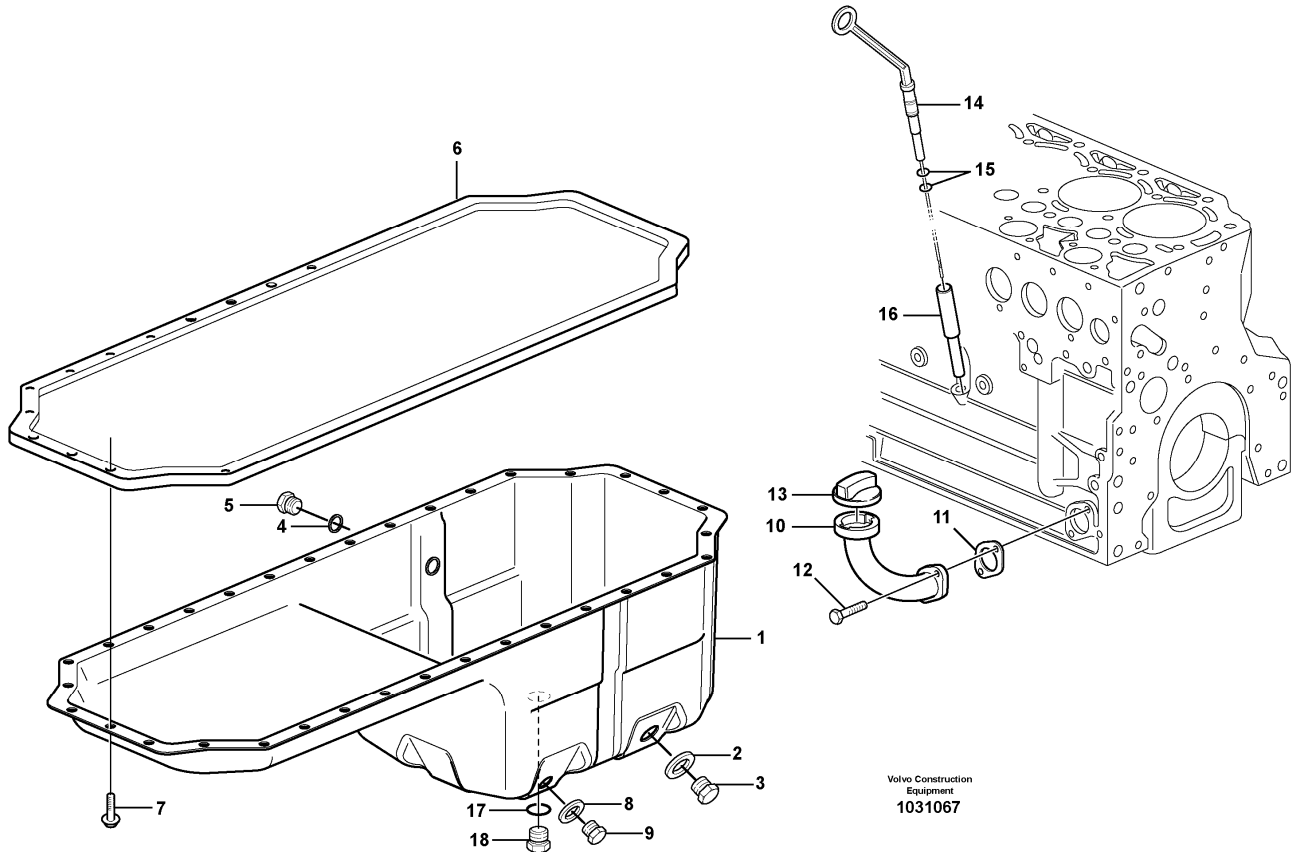


Volvo Construction
Equipment
1033647

Section option	Kit	Option description
VOE11410961		Engine VOLVO D7ELBE3

Pos	Part	Q1	Q2	Q3	Q4	Q5	PS	Kit	Description	Option(s)	Remark
1	VOE20459988	1							Flywheel housing		
2	VOE20450784	1							•Labyrinth ring		
3	VOE20460792	1							Screw		
4	VOE20405715	1							Screw		
5	VOE20405710	3							Screw		
6	VOE20460792	1							Screw		
7	VOE20459993	4							O-ring		
8	VOE20450786	1							Sealing ring		
9	VOE20459994	1							Sealing ring		
10	VOE20585971	2							Bushing		

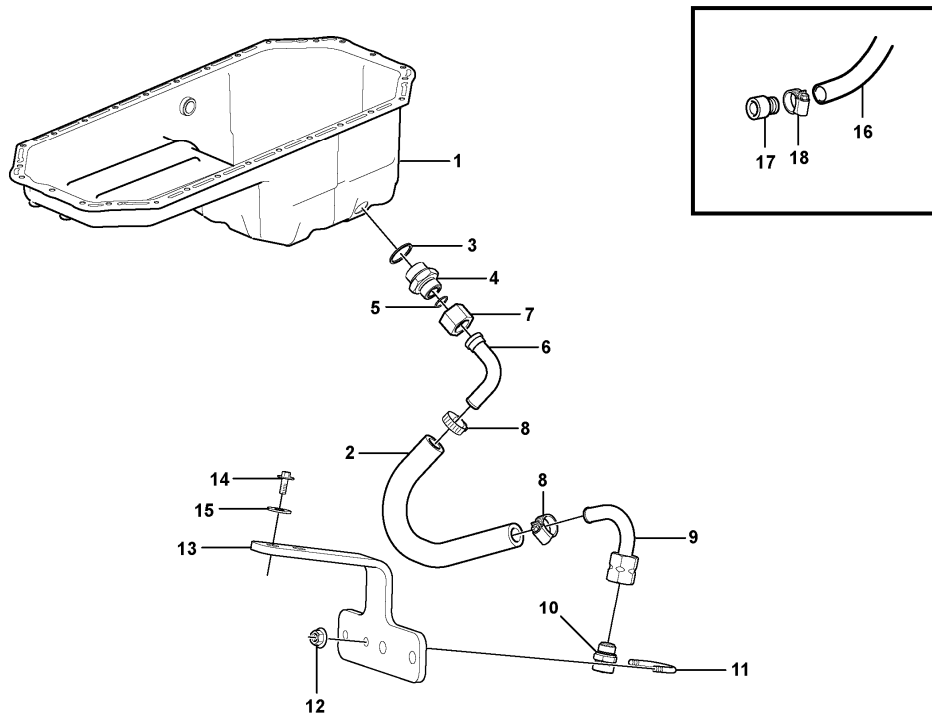
Date: 2014/2/24	Image id: 1031067	Catalogue: 20106	Model: L110F
Brand: Volvo	Serial: 3503-, 61501-, 70601-	Group/Section: 217/100	Title: Oil sump



Section option	Kit	Option description
VOE11410961		Engine VOLVO D7ELBE3

Pos	Part	Q1	Q2	Q3	Q4	Q5	PS	Kit	Description	Option(s)	Remark
1	VOE20814391	1							Oil Pan		(VOE21099578)
2	VOE20496256	1							•Gasket		
3	VOE20496257	1							•Plug		
4	VOE20460026	1							•Sealing ring		
5	VOE20460024	1							•Plug		
6	VOE20405915	1							Gasket		
7	VOE20405792	34							Screw		
8	VOE13947624	1							Plane gasket		
9	VOE20405506	1							Plug		
10	VOE20412347	1							Filler neck		
11	VOE20405825	1							Gasket		

Date: 2014/2/24	Image id: 1024526	Catalogue: 20106	Model: L110F
Brand: Volvo	Serial: 3503-, 61501-, 70601-	Group/Section: 217/150	Title: Draining of oil sump



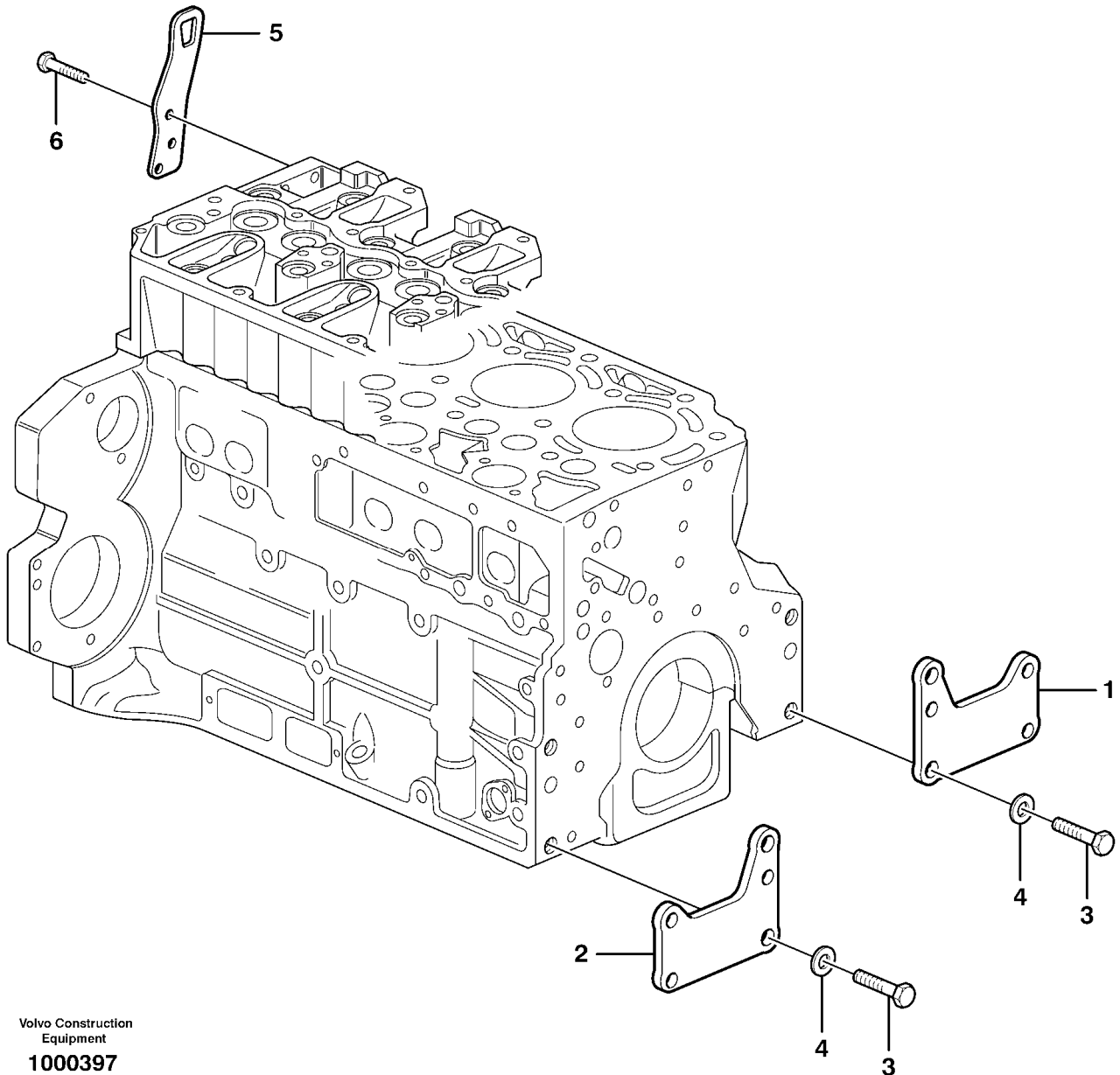
Volvo Construction
Equipment
1024526

Section option	Kit	Option description
VOE33381		Wheel Loader L110F

Pos	Part	Q1	Q2	Q3	Q4	Q5	PS	Kit	Description	Option(s)	Remark
1		1							Oil Pan		See ref 217/100
2	VOE190993	REQ							Hose		L = 430 MM
3	VOE993600	1							Gasket		
4	VOE11163064	1							Nipple		
5	VOE990740	1							O-ring		
6	VOE11410190	1							Drain tube		
7	VOE13933877	1							Fitting nut		
8	VOE943473	2							Hose clamp		
9	VOE11173508	1							Drain tube		
10	VOE11054692	1							Valve		
11	VOE11130269	1							Clamp		

12	VOE948645	2							Flange lock nut		
13	VOE11445058	1					OP		Anchorage		
14	VOE13946173	2							Screw		
15	VOE11117464	2							Washer		(VOE13960141)
16	VOE11154125	1							Hose		SER NO - 4391 L = 1400 MM
16	VOE11027418	1							Hose		SER NO 4392 - L = 500 MM
17	VOE11054659	1							Connector		L = 1400 MM
18	VOE943473	1							Hose clamp		

Date: 2014/2/24	Image id: 1000397	Catalogue: 20106	Model: L110F
Brand: Volvo	Serial: 3503-, 61501-, 70601-	Group/Section: 218/100	Title: Engine mounting



Volvo Construction
Equipment
1000397

Section option	Kit	Option description
VOE11410961		Engine VOLVO D7ELBE3

Pos	Part	Q1	Q2	Q3	Q4	Q5	PS	Kit	Description	Option(s)	Remark
1	VOE20723978	1							Bracket		See footnote 2280)
2	VOE20723984	1							Bracket		See footnote 2280)
3	VOE20535027	4							Screw		

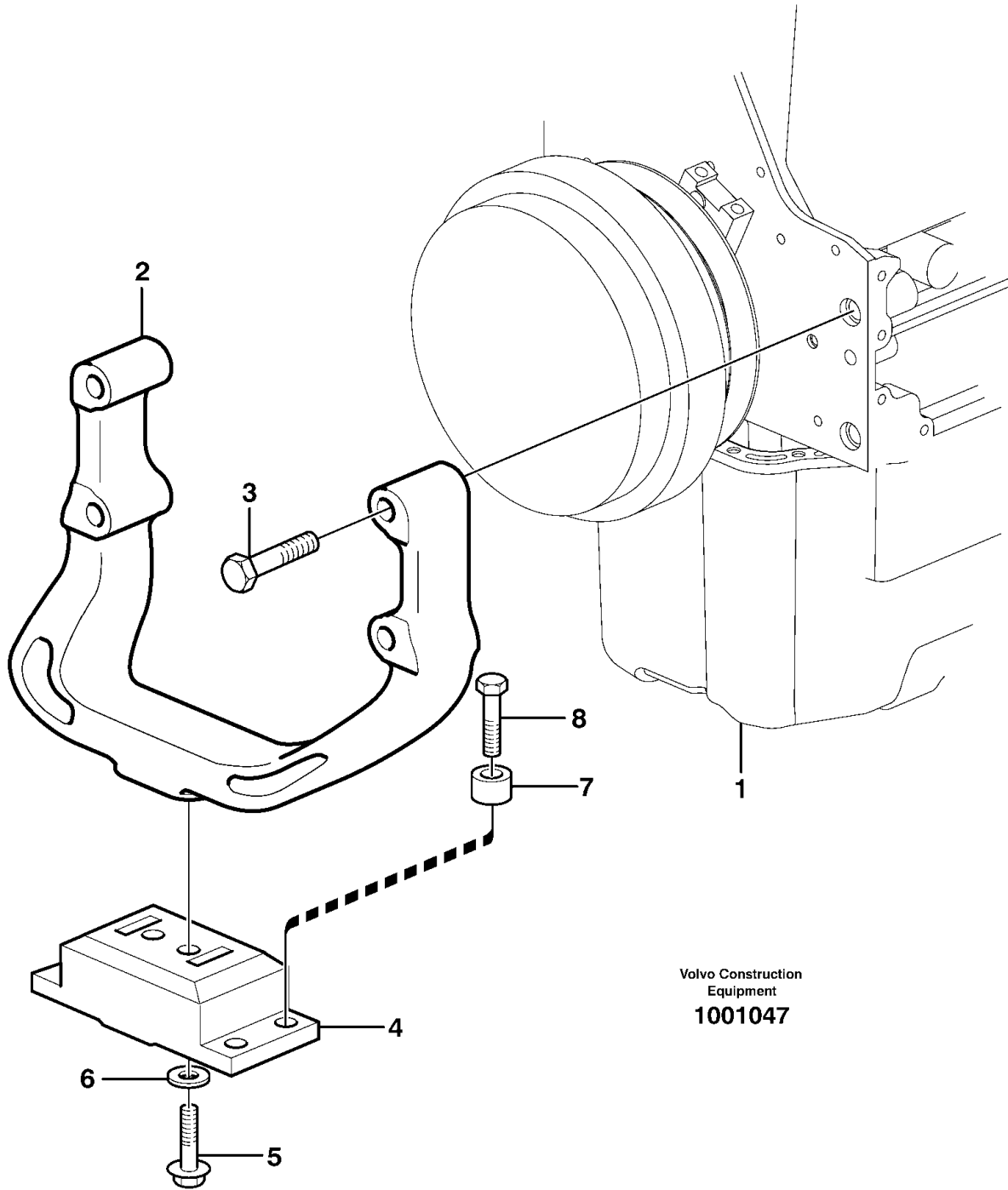
4	VOE20405606	4							Washer		
5	VOE20450854	2					OP		Lifting eye		
6	VOE20450756	6							Screw		

2280) To be used as transport bracket

VOLVO

Construction Equipment

Date: 2014/2/24	Image id: 1001047	Catalogue: 20106	Model: L110F
Brand: Volvo	Serial: 3503-, 61501-, 70601-	Group/Section: 218/150	Title: Engine mounting

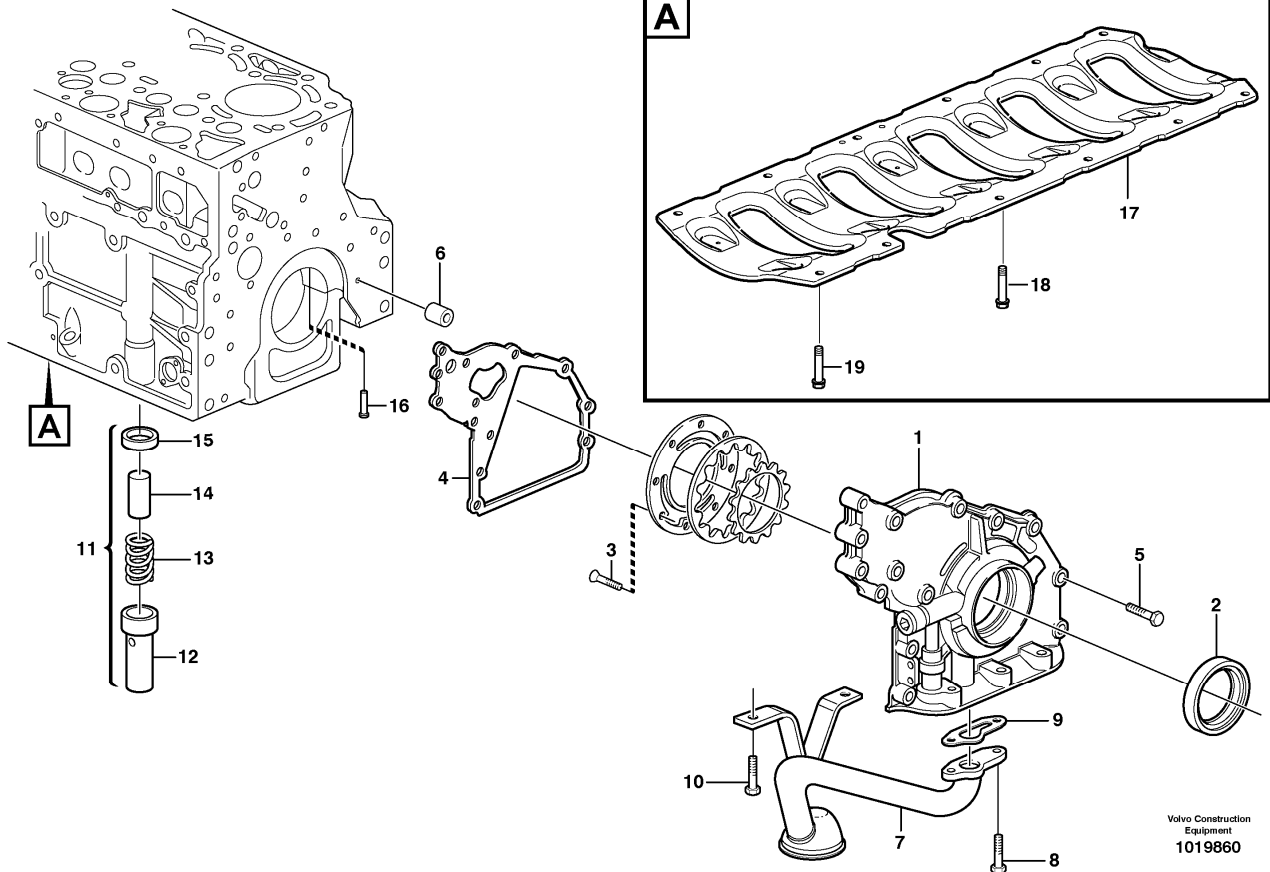


Volvo Construction
Equipment
1001047

Section option	Kit	Option description
VOE33381		Wheel Loader L110F

Pos	Part	Q1	Q2	Q3	Q4	Q5	PS	Kit	Description	Option(s)	Remark
1		1							Engine		See ref 210/100
2	VOE11411335	1							Engine anchorage		
3	VOE963320	4							Hexagon screw		
4	VOE20503551	1							Rubber cushion		
5	VOE966362	2							Flange screw		
6	VOE930844	2							Washer		
7	VOE11025923	4							Spacer		
8	VOE13965193	4							Screw		

Date: 2014/2/24	Image id: 1019860	Catalogue: 20106	Model: L110F
Brand: Volvo	Serial: 3503-, 61501-, 70601-	Group/Section: 221/100	Title: Lubricating oil system



Volvo Construction
Equipment
1019860

Section option	Kit	Option description
VOE11410961		Engine VOLVO D7ELBE3

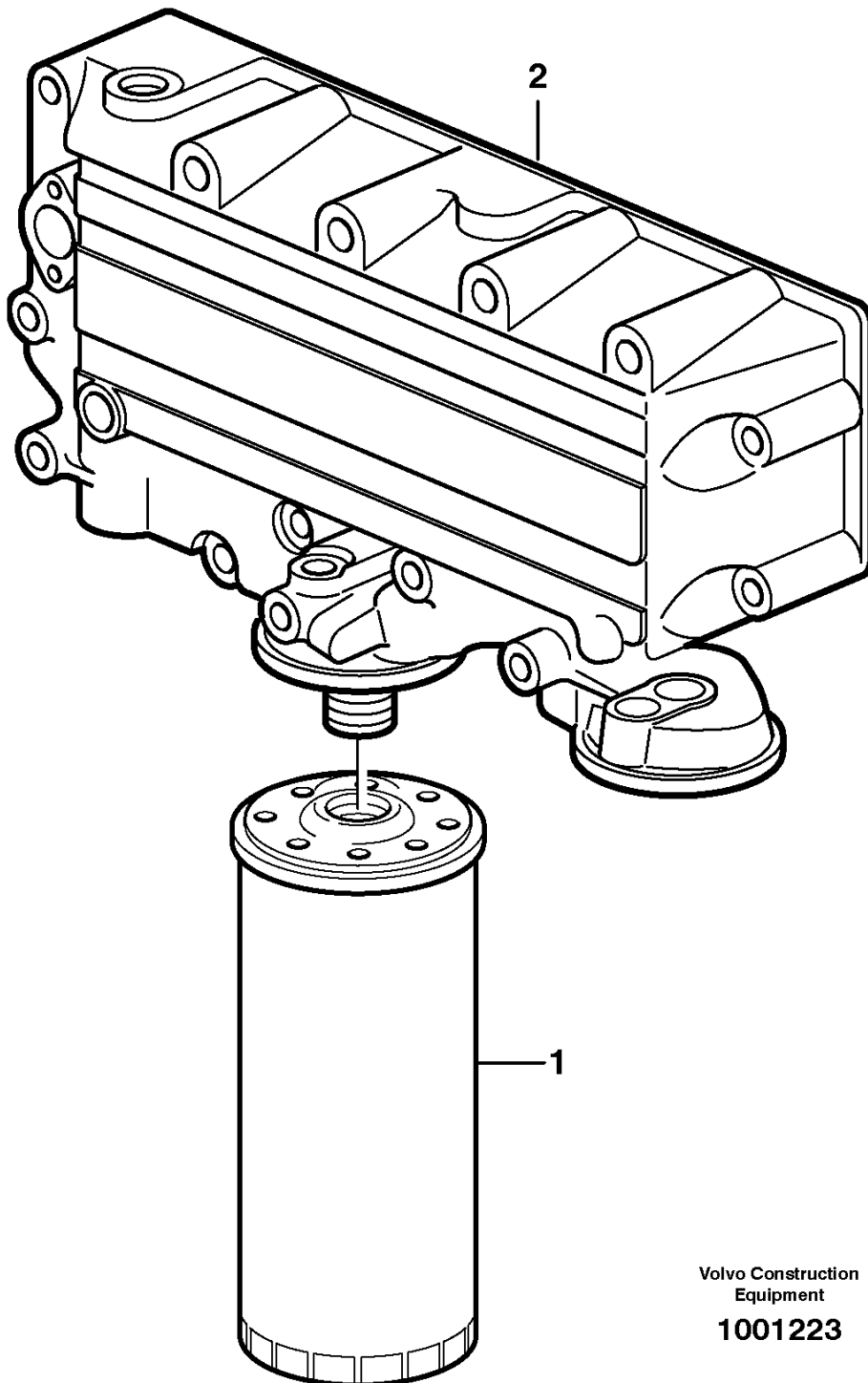
Pos	Part	Q1	Q2	Q3	Q4	Q5	PS	Kit	Description	Option(s)	Remark
1	VOE20875082	1							Service cover		
2	VOE20412568	1							•Sealing ring		
3	VOE20451738	1							•Screw		
4	VOE20742661	1							Gasket		
5	VOE20412324	14							Screw		
6	VOE20405603	1							Spring pin		
7	VOE20570070	1							Suction pipe		
8	VOE13949578	2							Screw		
9	VOE20405888	1							Gasket		
10	VOE13949578	2							Screw		
11	VOE11700271	1							Delivery valve		

12	VOE20405937	1							•Sleeve		
13	VOE20405896	1							•Compression spring		
14	VOE20405936	1					OP		•Valve		
15	VOE20405904	1							•Ring		
16	VOE20405561	6							Piston		
17	VOE20567652	1							Plate		
18	VOE20405885	8							Screw		
19	VOE20570025	4							Screw		

VOLVO

Construction Equipment

Date: 2014/2/24	Image id: 1001223	Catalogue: 20106	Model: L110F
Brand: Volvo	Serial: 3503-, 61501-, 70601-	Group/Section: 222/100	Title: Oil filter



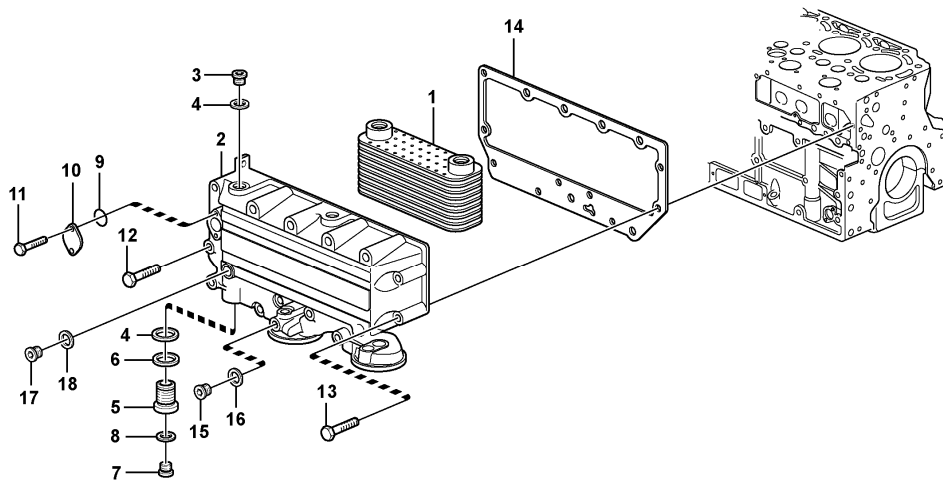
Volvo Construction
Equipment
1001223

Section option	Kit	Option description
----------------	-----	--------------------

VOE11410961		Engine VOLVO D7ELBE3
-------------	--	----------------------

Pos	Part	Q1	Q2	Q3	Q4	Q5	PS	Kit	Description	Option(s)	Remark
1	VOE3831236	1							Oil filter		
2		1							Housing		See ref 223/100

Date: 2014/2/24	Image id: 1019517	Catalogue: 20106	Model: L110F
Brand: Volvo	Serial: 3503-, 61501-, 70601-	Group/Section: 223/100	Title: Oil cooler



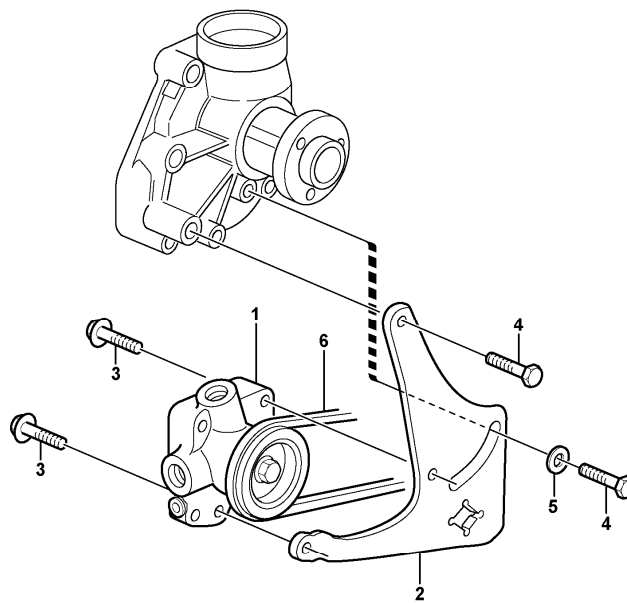
Volvo Construction
Equipment
1019517

Section option	Kit	Option description
VOE11410961		Engine VOLVO D7ELBE3

Pos	Part	Q1	Q2	Q3	Q4	Q5	PS	Kit	Description	Option(s)	Remark
1	VOE20715681	1							Oil Cooler		
2	VOE20819716	1							Box		
3	VOE20459195	1							Plug		
4	VOE13947628	3							Plane gasket		
5	VOE20405752	2							Screw		
6	VOE20405569	2							•Sealing		
7	VOE20549897	2							Plug		
8	VOE20405578	2							Sealing ring		
9	VOE20405599	1							Sealing ring		
10	VOE21072778	1							Flange		
11	VOE20405885	2							Screw		

12	VOE20405917	10							Screw		
13	VOE20405672	3							Screw		
14	VOE20405747	1							Gasket		
15	VOE20450895	1							Plug		E PROD
15	VOE21011809	1							Plug		L PROD
16	VOE13947281	1							Gasket		E PROD
17	VOE888474	1							Plug		
18	VOE20450890	1							Sealing ring		

Date: 2014/2/24	Image id: 1019562	Catalogue: 20106	Model: L110F
Brand: Volvo	Serial: 3503-, 61501-, 70601-	Group/Section: 233/100	Title: Fuel pump

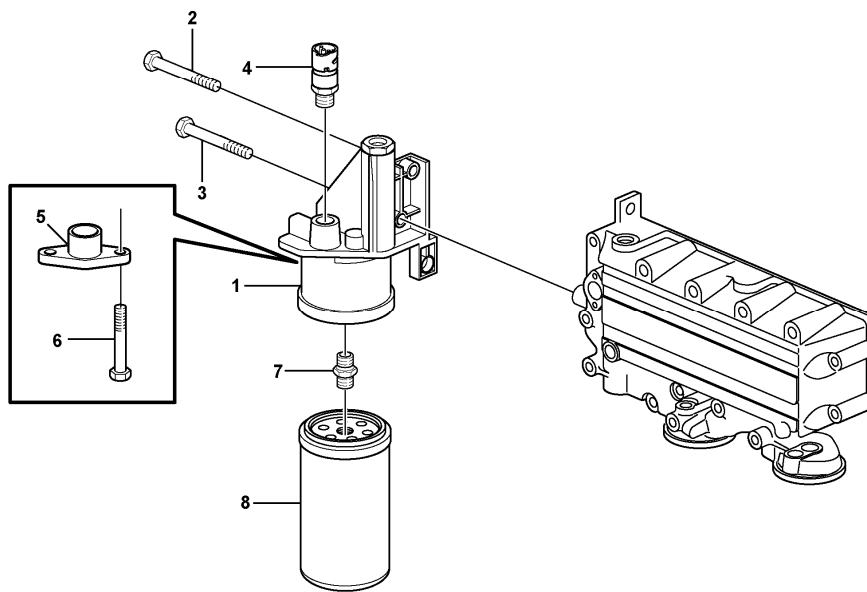


Volvo Construction
Equipment
1019562

Section option	Kit	Option description
VOE11410961		Engine VOLVO D7ELBE3

Pos	Part	Q1	Q2	Q3	Q4	Q5	PS	Kit	Description	Option(s)	Remark
1	VOE21021484	1							Fuel pump		ENG - 10438708
1	VOE20980697	1							Fuel pump		ENG 10438709 -
2	VOE20405708	1							Bracket		
3	VOE13949578	2							Screw		
4	VOE20441860	2							Screw		
5	VOE20405734	1							Washer		
6		1							V-belt		See ref 263/400

Date: 2014/2/24	Image id: 1019504	Catalogue: 20106	Model: L110F
Brand: Volvo	Serial: 3503-, 61501-, 70601-	Group/Section: 233/150	Title: Fuel filter

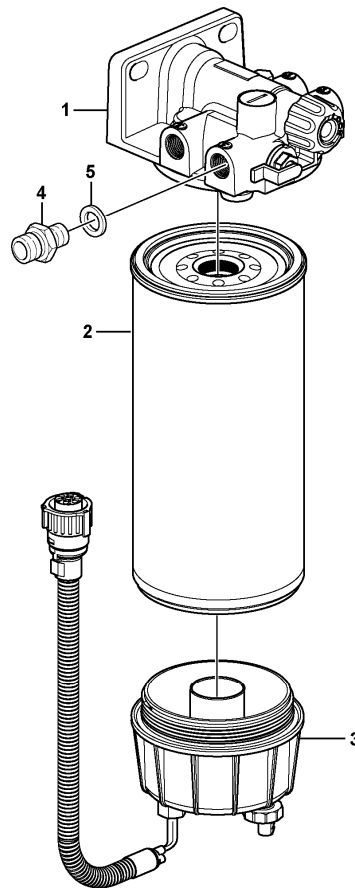


Volvo Construction
Equipment
1019504

Section option	Kit	Option description
VOE11410961		Engine VOLVO D7ELBE3

Pos	Part	Q1	Q2	Q3	Q4	Q5	PS	Kit	Description	Option(s)	Remark
1	VOE20816379	1							Fuel Filter Housing		N.B. Pos 5
2	VOE20450801	2							Screw		
3	VOE11700269	1							Screw		
4		1							Sensor		See ref 371/150
5	VOE20798139	1							Cover		
6	VOE20799087	2							Screw		
7	VOE20818370	1							Screw Bushing		
8	VOE20805349	1							Fuel Filter		

Date: 2014/2/24	Image id: 1053002	Catalogue: 20106	Model: L110F
Brand: Volvo	Serial: 3503-, 61501-, 70601-	Group/Section: 233/200	Title: Water separator 33381, 83213, 84867



Volvo Construction
Equipment
1053002

Section option	Kit	Option description
VOE33381		Wheel Loader L110F
VOE83213		Water separator with heater
VOE84867	VOE15145248	Fuel filter

Q1-Q5	Option	Option description	
Q1 33381	VOE33381	Wheel Loader L110F	
Q2 83213	VOE83213	Water separator with heater	
Q3 84867	VOE84867	Fuel filter	

Pos	Part	Q1	Q2	Q3	Q4	Q5	PS	Kit	Description	Option(s)	Remark
	VOE11110709	1							Water separator		
	VOE11110791		1						Water separator		
1	VOE11110708	1					NS		•Filter Housing		
1	VOE11110702		1				OP		•Filter housing		

Thank you so much for reading.
Please click the “Buy Now!”
button below to download the
complete manual.



After you pay.

You can download the most
perfect and complete manual in
the world immediately.

Our support email:

ebooklibonline@outlook.com