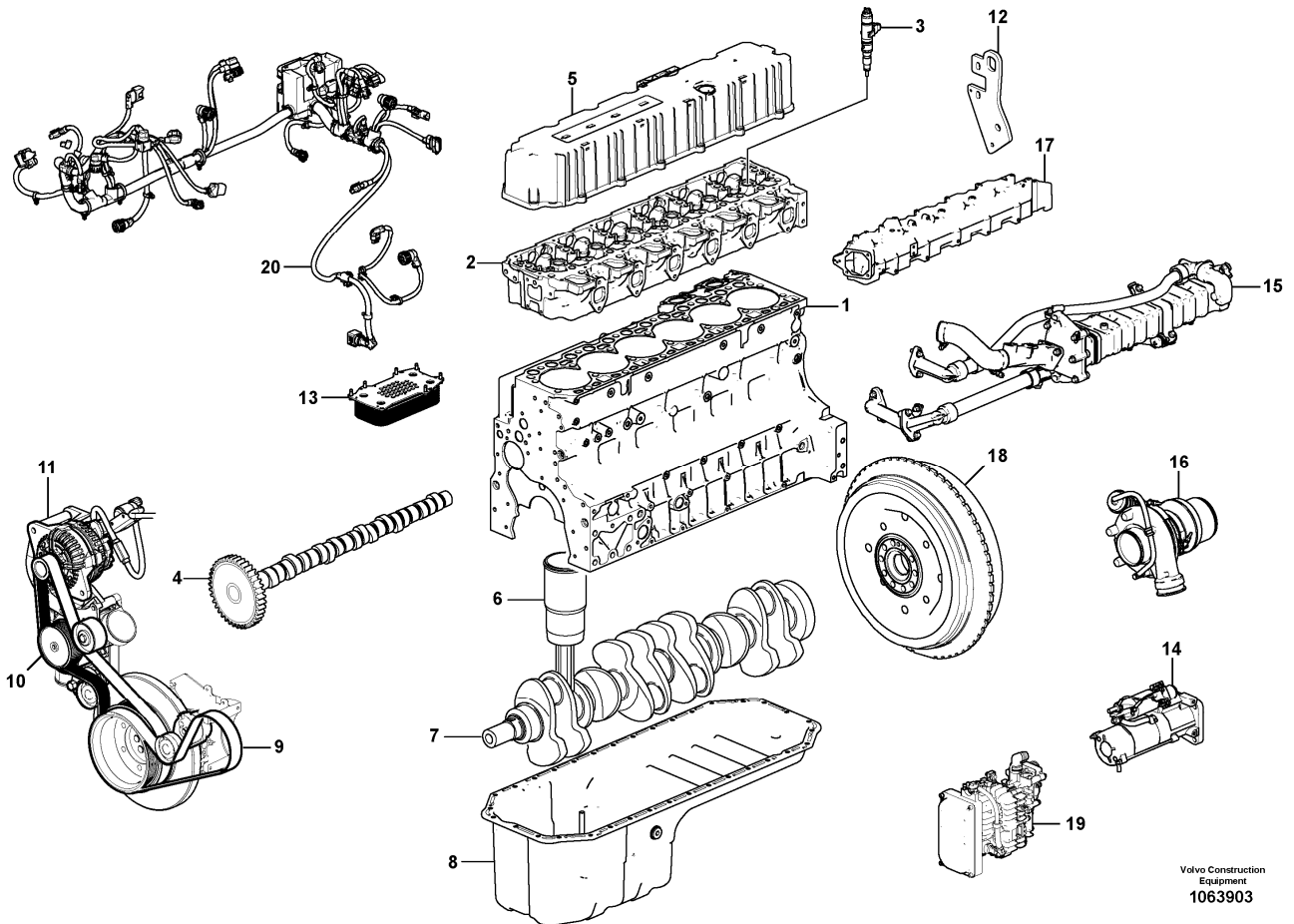


Date: 2014/2/25	Image id: 1063903	Catalogue: 20622	Model: L110G
Brand: Volvo	Serial: 8001-	Group/Section: 210/100	Title: Engine



Volvo Construction
Equipment
1063903

Section option	Kit	Option description
VOE15083692		Engine D8H, US
VOE15165679		Engine D8H, EU
VOE17231169		Engine D8H, US
VOE17231187		Engine D8H, EU
VOE84881		Engine Installation D8H, US
VOE85099		Engine Installation D8H, EU

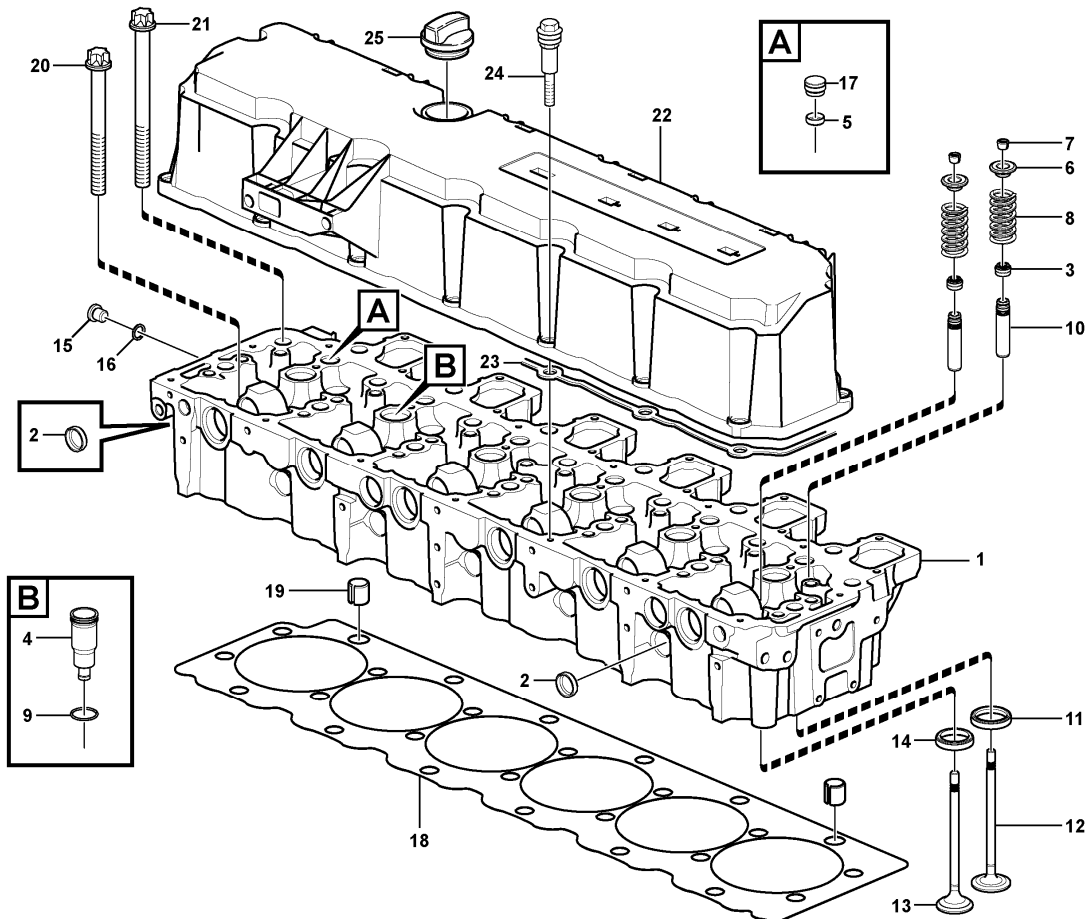
Q1-Q5	Option	Option description	
Q1 84881	VOE84881	Engine Installation D8H, US	
Q2 85099	VOE85099	Engine Installation D8H, EU	

Pos	Part	Q1	Q2	Q3	Q4	Q5	PS	Kit	Description	Option(s)	Remark
	VOE17231169	1							Engine		See footnote 1) D8H, US

	VOE17231187		1						Engine		See footnote 1) D8H, EU
1		1	1						Cylinder block		See ref 212/100
2		1	1						Cylinder head		See ref 211/100
3		1	1						Injector		See ref 237/100
4		1	1						Camshaft		See ref 214/100
5		1	1						Valve Cover		See ref 211/100
6		6	6						Cylinder liner,piston		See ref 213/100
7		1	1						Crankshaft		See ref 216/100
8		1	1						Oil sump		See ref 217/100
9		1	1						Belt Xmsn		See ref 263/500
10		6	6						Water Pump		See ref 262/100
11		1	1						Alternator		See ref 321/100
12		1	1						Engine mounting		See ref 218/100
13		1	1						Oil cooler		See ref 223/100
14		1	1						Starter Motor		See ref 331/100
15		1	1						EGR valve		See ref 293/100
16		1	1						Turbocharger		See ref 255/100
17		1	1						Inlet Manifold		See ref 251/100
18		1	1						Flywheel		See ref 216/100
19		1	1						Air compressor		See ref 254/600
20		1	1						Cable harness		See ref 286/100

1) Replacement version

Date: 2014/2/25	Image id: 1062046	Catalogue: 20622	Model: L110G
Brand: Volvo	Serial: 8001-	Group/Section: 211/100	Title: Cylinder head with fitting parts 84881, 85099



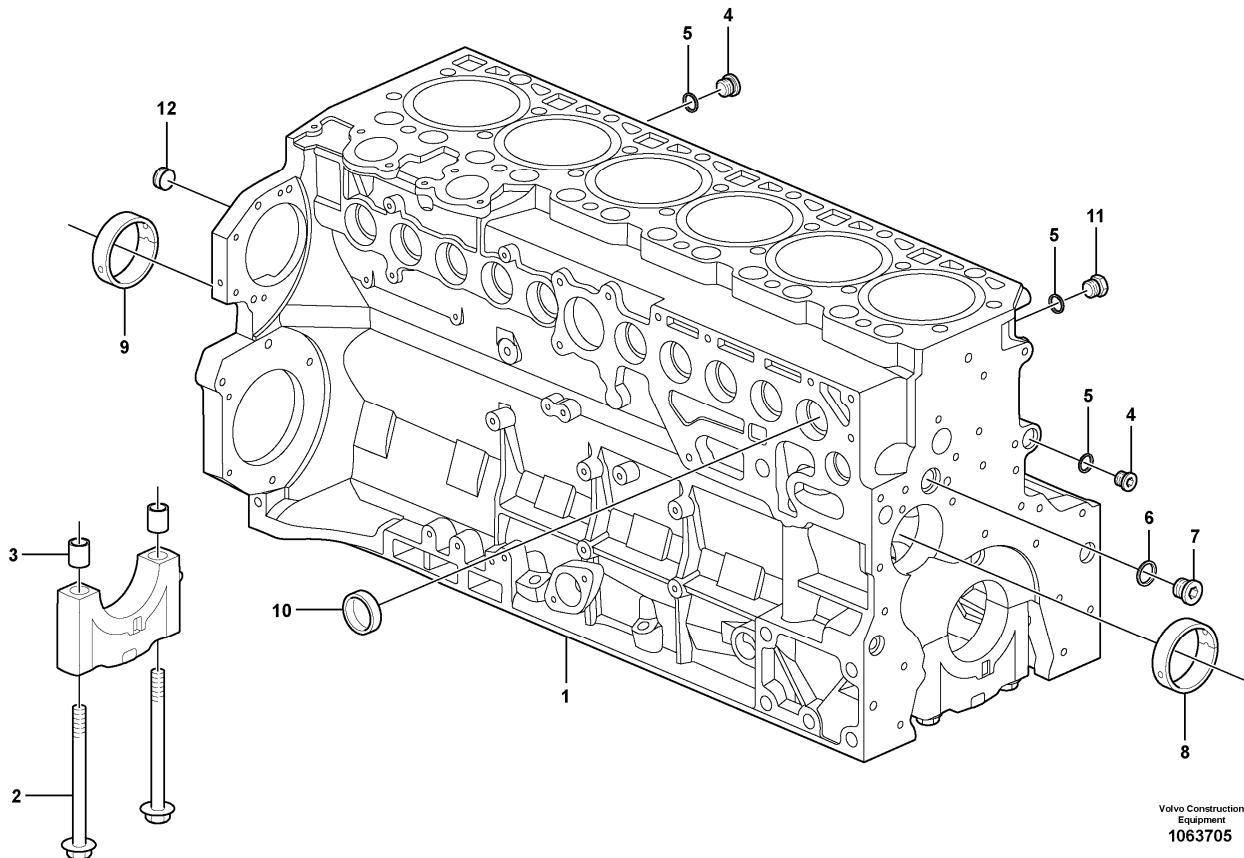
Volvo Construction
Equipment
1062046

Section option	Kit	Option description
VOE15083692		Engine D8H, US
VOE15165679		Engine D8H, EU
VOE84881		Engine Installation D8H, US
VOE85099		Engine Installation D8H, EU

Pos	Part	Q1	Q2	Q3	Q4	Q5	PS	Kit	Description	Option(s)	Remark
1	VOE21689862	1							Cylinder head		
2	VOE20834024	6							•Cap plug		
3	VOE21751313	24					NS		•Seal		
4	VOE20903104	6							•Sleeve		
5	VOE20799312	6							•Cap plug		
6	VOE20788860	24							•Cap		
7	VOE20459857	48							•Valve sleeve		
8	VOE20859646	24							•Compression spring		

9	VOE20903092	6							•O-ring		
10	VOE21714188	24							•Valve guide		
11	VOE21714184	12							•Valve insert		
12	VOE21714205	12							•Inlet valve		
13	VOE20833936	12							•Exhaust valve		
14	VOE20833930	12							•Valve insert		
15	VOE20459941	1							•Plug		
16	VOE20460061	1							•Sealing ring		
17	VOE20789661	6					NS		•		
18	VOE21714215	1							Gasket		THICK = 1,15 mm
18	VOE21714221	1							Gasket		THICK = 1,25 mm
19	VOE20799601	2							Spring pin		
20	VOE20792992	6							Bolt		
21	VOE20793002	20							Bolt		
22	VOE21726603	1					NS		Casing		
23	VOE20788793	1							Gasket		
24	VOE20833901	15							Bolt		
25	VOE20859656	1							Cover		

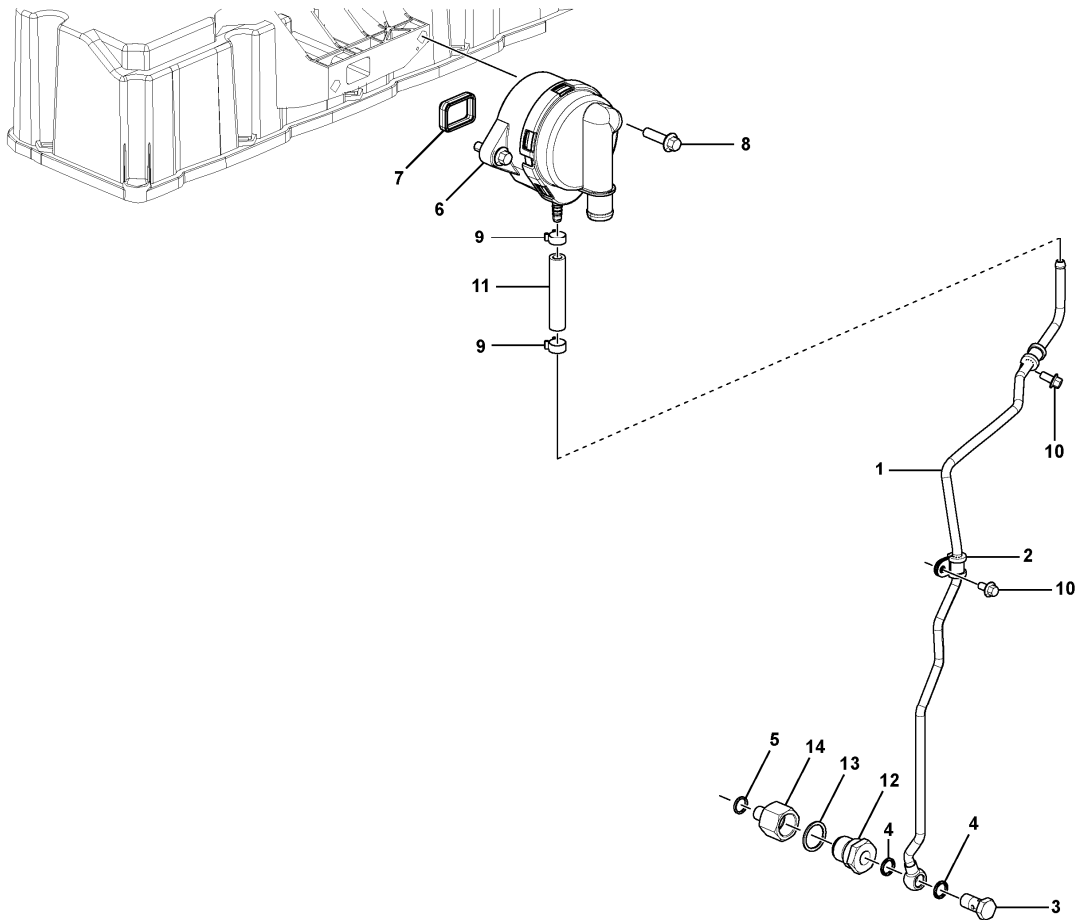
Date: 2014/2/25	Image id: 1063705	Catalogue: 20622	Model: L110G
Brand: Volvo	Serial: 8001-	Group/Section: 212/100	Title: Cylinder block 84881, 85099



Section option	Kit	Option description
VOE15083692		Engine D8H, US
VOE15165679		Engine D8H, EU
VOE85099		Engine Installation D8H, EU

Pos	Part	Q1	Q2	Q3	Q4	Q5	PS	Kit	Description	Option(s)	Remark
1	VOE21689804	1							Crankcase		
2	VOE20860579	14							•Bolt		
3	VOE20858657	14							•Bushing		
4	VOE11700279	2							•Plug		
5	VOE993677	3							•Gasket		
6	VOE993680	1							•Gasket		
7	VOE20460024	1							•Plug		
8	VOE20858674	6							•Bushing		
9	VOE20858666	1							•Bushing		
10	VOE20405721	10							•Core plug		

Date: 2014/2/25	Image id: 1064338	Catalogue: 20622	Model: L110G
Brand: Volvo	Serial: 8001-	Group/Section: 212/200	Title: Crankcase ventilation 84881, 85099



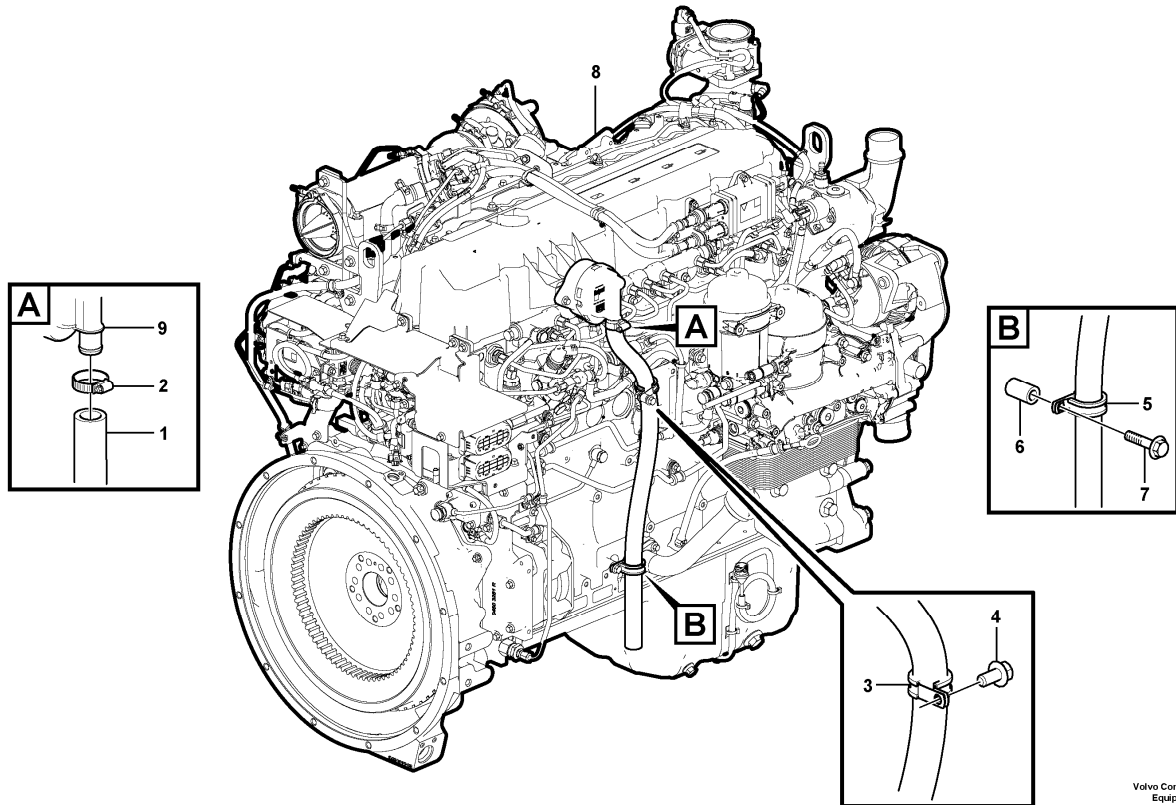
Volvo Construction
Equipment
1064338

Section option	Kit	Option description
VOE15083692		Engine D8H, US
VOE15165679		Engine D8H, EU
VOE84881		Engine Installation D8H, US
VOE85099		Engine Installation D8H, EU

Pos	Part	Q1	Q2	Q3	Q4	Q5	PS	Kit	Description	Option(s)	Remark
1	VOE21735710	1							Leak-off line		
2	VOE20799142	2							•Clamp		
3	VOE20460936	1							•Hollow screw		
4	VOE993605	2							•Gasket		
5	VOE20460061	1							Sealing ring		
6	VOE20930510	1							Pressure regulator		
7	VOE21038626	1							•Gasket		
8	VOE20405504	2							Screw		
9	VOE20405568	2							Clip		

10	VOE20405729	2							Screw		
11	VOE20799616	1							Hose		
12	VOE21500616	1							Drain valve		
13	VOE20460026	1							•Sealing ring		
14	20999236	1					NS		•Adapter		

Date: 2014/2/25	Image id: 1061291	Catalogue: 20622	Model: L110G
Brand: Volvo	Serial: 8001-	Group/Section: 212/350	Title: Crankcase ventilation

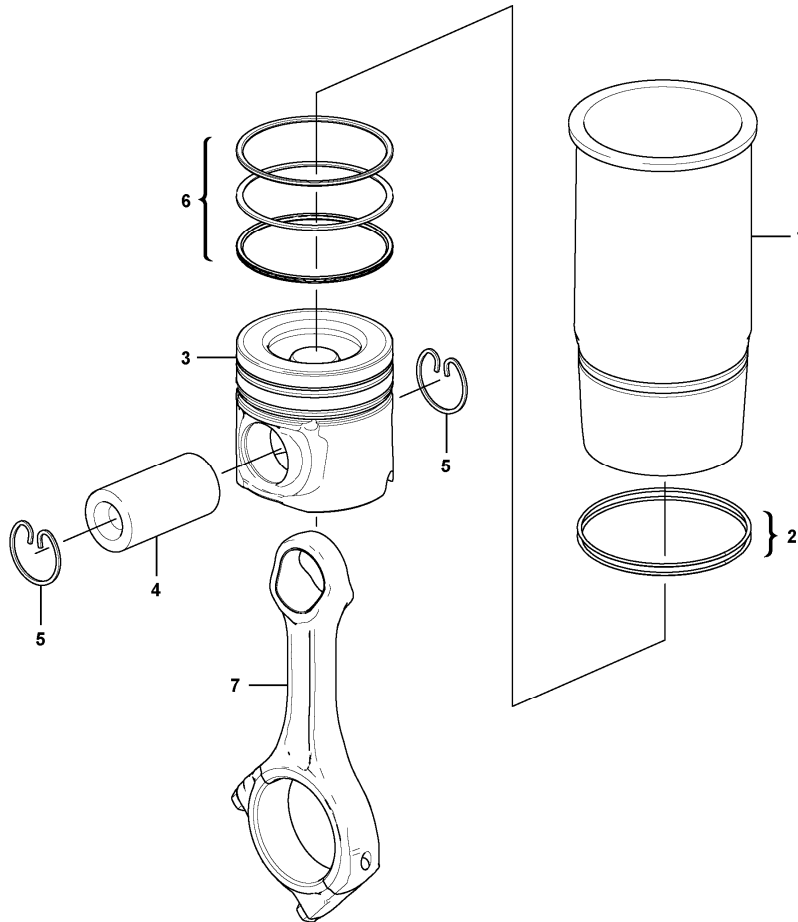


Volvo Construction
Equipment
1061291

Section option	Kit	Option description
VOE33008		Wheel Loader L110G

Pos	Part	Q1	Q2	Q3	Q4	Q5	PS	Kit	Description	Option(s)	Remark
1	VOE190993	1							Hose		L = 800 mm
2	VOE13943474	1							Hose clamp		
3	VOE943717	1							Clamp		
4	VOE946440	1							Flange screw		
5	VOE943717	1							Clamp		
6	VOE11063049	1							Spacer sleeve		
7	VOE13947760	1							Screw		
8		1							Engine		See ref 210/100
9		1							Pressure Regulator		

Date: 2014/2/25	Image id: 1062116	Catalogue: 20622	Model: L110G
Brand: Volvo	Serial: 8001-	Group/Section: 213/100	Title: Cylinder liner and piston 84881, 85099

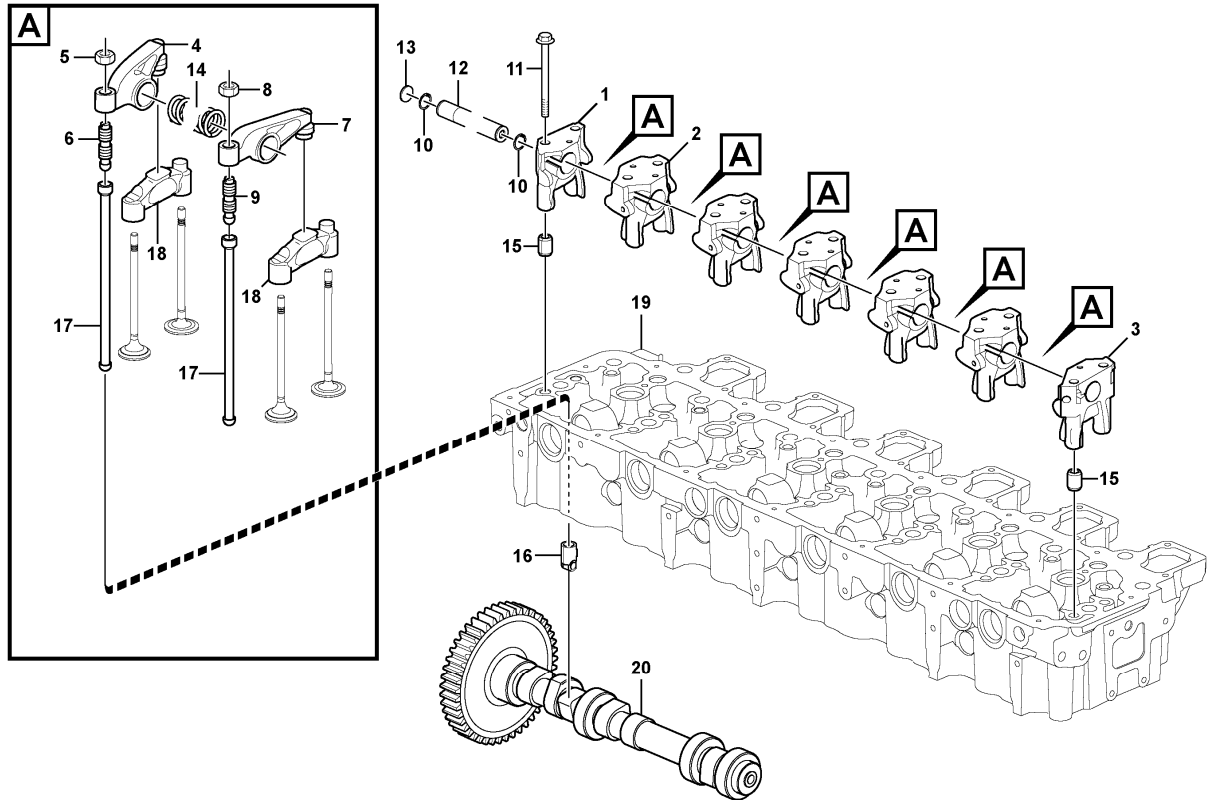


Volvo Construction
Equipment
1062116

Section option	Kit	Option description
VOE15083692		Engine D8H, US
VOE15165679		Engine D8H, EU
VOE84881		Engine Installation D8H, US
VOE85099		Engine Installation D8H, EU

Pos	Part	Q1	Q2	Q3	Q4	Q5	PS	Kit	Description	Option(s)	Remark
1	VOE21714046	6					NS		Cylinder Liner		
2	VOE20412762	12							•O-ring		
3		6					NS		Piston		
4		6					NS		•Gudgeon Pin		
5		12					NS		•Seg Ring Kit		
6		6					NS		•Retaining ring		
7		6					NS		Connecting rod		

Date: 2014/2/25	Image id: 1061632	Catalogue: 20622	Model: L110G
Brand: Volvo	Serial: 8001-	Group/Section: 214/100	Title: Valve mechanism 84881, 85099



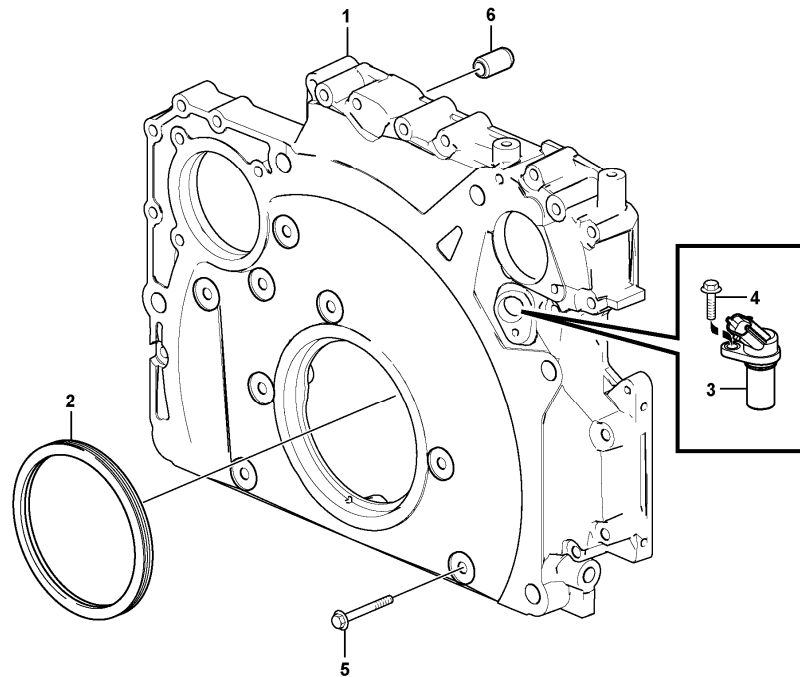
Volvo Construction
Equipment
1061632

Section option	Kit	Option description
VOE15083692		Engine D8H, US
VOE15165679		Engine D8H, EU
VOE84881		Engine Installation D8H, US
VOE85099		Engine Installation D8H, EU

Pos	Part	Q1	Q2	Q3	Q4	Q5	PS	Kit	Description	Option(s)	Remark
1	VOE20858513	1					NS		Bracket		
2	VOE20858519	5					NS		Bracket		
3	VOE20858516	1					NS		Bracket		
4	VOE21458892	6							Rocker arm		INLET
5	VOE11700373	6							•Nut		
6	VOE21458899	6							•Adjusting screw		
7	VOE21458904	6							Rocker arm		OUTLET
8	VOE11700373	6							•Nut		
9	VOE21458899	6							•Adjusting screw		

10	VOE945495	2							Retaining ring		
11	VOE993447	14							Flange screw		
12	VOE21294973	1							Rocker arm shaft		
13	VOE20799622	2					NS		•Cap Plug		
14	VOE20800018	6							Compression spring		
15	VOE20799596	2							Spring pin		
16	VOE21486078	12							Tappet		
17	VOE21034347	12							Push rod		
18	VOE20861884	12							Bridge		
19		1							Cylinder head		See ref 211/100
20	VOE21426367	1							Camshaft		

Date: 2014/2/25	Image id: 1061639	Catalogue: 20622	Model: L110G
Brand: Volvo	Serial: 8001-	Group/Section: 215/100	Title: Timing gear casing 84881, 85099

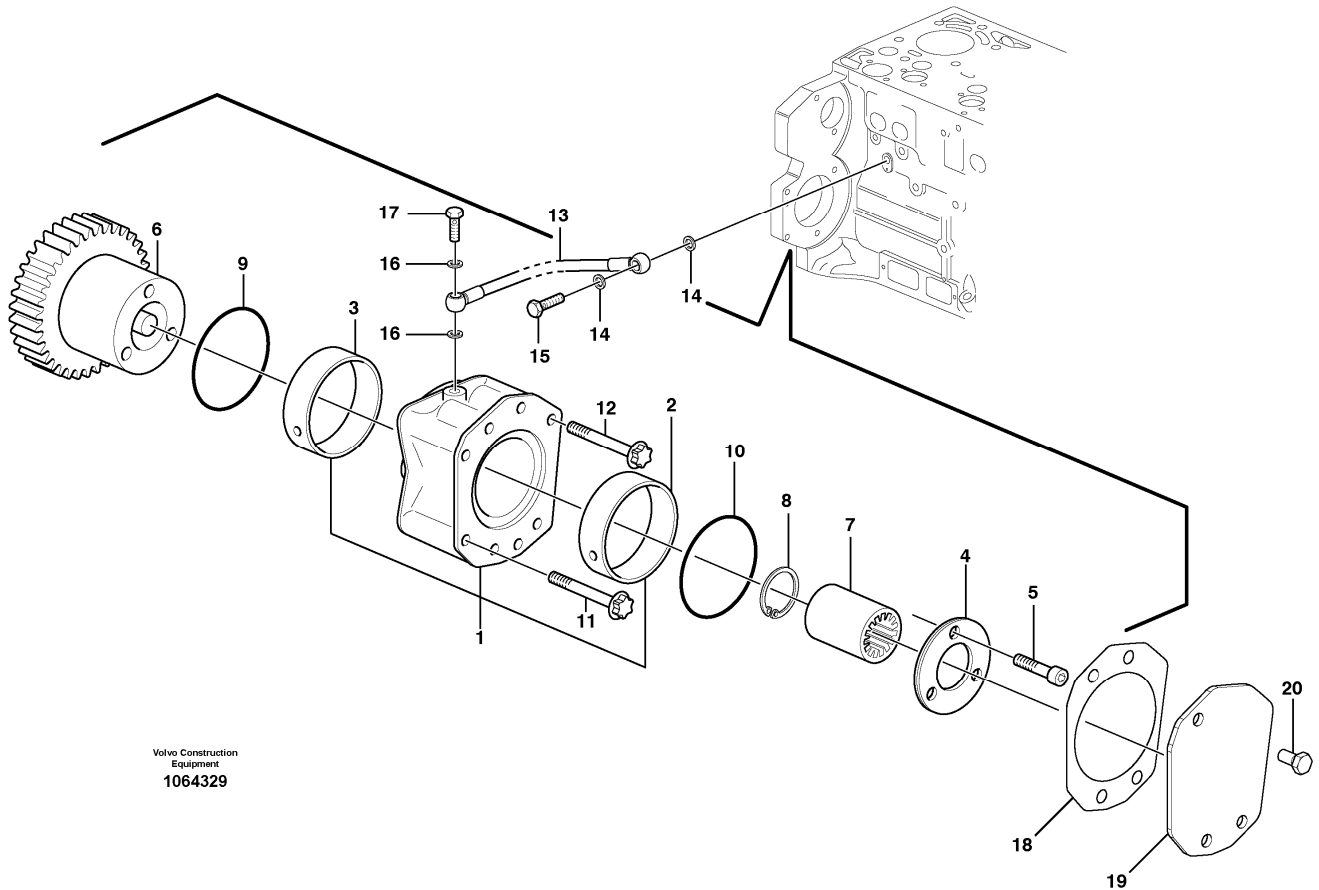


Volvo Construction
Equipment
1061639

Section option	Kit	Option description
VOE15083692		Engine D8H, US
VOE15165679		Engine D8H, EU
VOE84881		Engine Installation D8H, US
VOE85099		Engine Installation D8H, EU

Pos	Part	Q1	Q2	Q3	Q4	Q5	PS	Kit	Description	Option(s)	Remark
1	VOE21721520	1							Timing gear casing		
2	VOE21486084	1							Lip seal		
3	VOE20513343	1							Sensor		SE2703
4	VOE20450694	1							Screw		
5	VOE20405709	19							Screw		
6	VOE20799558	1							Spring pin		

Date: 2014/2/25	Image id: 1064329	Catalogue: 20622	Model: L110G
Brand: Volvo	Serial: 8001-	Group/Section: 215/200	Title: Pump drive power take-off 84881, 85099



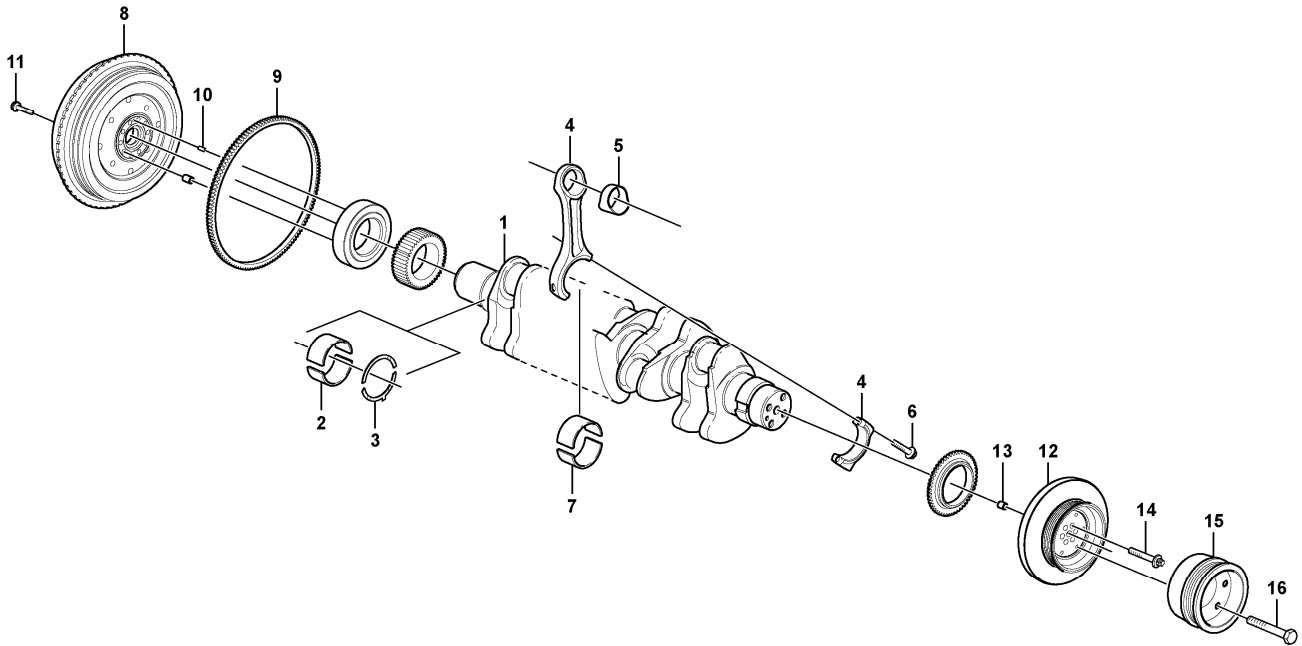
Section option	Kit	Option description
VOE15083692		Engine D8H, US
VOE15165679		Engine D8H, EU
VOE84881		Engine Installation D8H, US
VOE85099		Engine Installation D8H, EU

Pos	Part	Q1	Q2	Q3	Q4	Q5	PS	Kit	Description	Option(s)	Remark
	VOE21250587	1							Hydraulic Pump		
1	VOE20450805	1							•Bearing flange		
2	VOE20450809	1							••Bushing		
3	VOE20450807	1							••Bushing		
4	VOE20450811	1							•Thrust washer		
5	VOE20450822	3							•Screw		
6	VOE21249506	1							•Gear		
7	VOE20459123	1							Sleeve		
8	VOE20450815	1					OP		•Retaining ring		

9	VOE20450818	1						O-ring		
10	VOE20450819	1						O-ring		
11	VOE20450820	2						Screw		
12	VOE20450821	2						Screw		
	VOE21077470	1						Screw		See footnote 2624)
13	VOE21664964	1						Pipe		
14	VOE13947621	2						•Plane gasket		
15	VOE7025167	1						•Hollow screw		
16	VOE13947281	2						•Gasket		
17	VOE20460289	1						•Hollow screw		
18	VOE21754928	1						Gasket		
19	VOE21754906	1					NS	Cover		
20	VOE20459156	3						Screw		

2624) Not Shown

Date: 2014/2/25	Image id: 1059618	Catalogue: 20622	Model: L110G
Brand: Volvo	Serial: 8001-	Group/Section: 216/100	Title: Crankshaft and related parts 84881, 85099



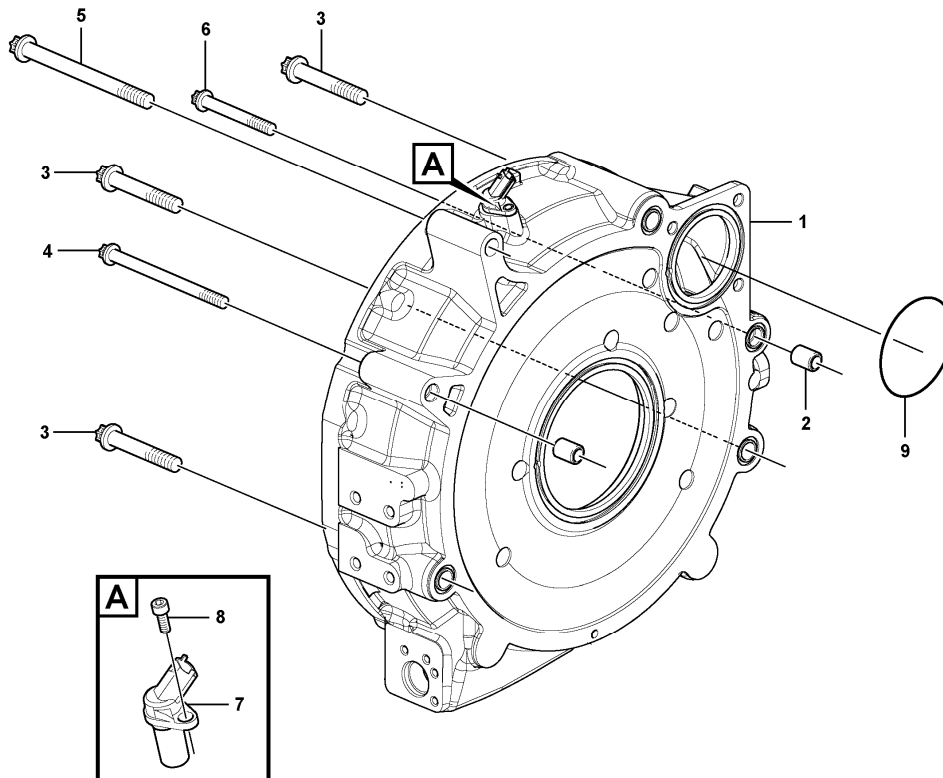
Volvo Construction
Equipment
1059618

Section option	Kit	Option description
VOE15083692		Engine D8H, US
VOE15165679		Engine D8H, EU
VOE84881		Engine Installation D8H, US
VOE85099		Engine Installation D8H, EU

Pos	Part	Q1	Q2	Q3	Q4	Q5	PS	Kit	Description	Option(s)	Remark
1	VOE21688599	1							Crankshaft		
2	VOE20945114	7							Bearing		STD
2	VOE21661184	REQ							Main bearing		O SZ = 84,75 mm
2	VOE21661186	REQ							Main bearing		O SZ = 84,50 mm
3	VOE21141955	1							Raceway washer		THICK = 2,90 mm
3	VOE21141963	REQ							Raceway washer		THICK = 3,10 mm
4	VOE21506256	6							Connecting rod		
5	VOE21506250	6							•Bearing		
6	VOE11700326	12							•Bolt		

7	VOE21688936	6							Big-end bearing shell		STD
7	VOE21739994	REQ							Bearing		U SZ = 0,25
7	VOE21740000	REQ							Bearing		U SZ = 0,50
8	VOE21744696	1							Flywheel		
9	VOE20450830	1							•Gear		
10	VOE20799584	1							Spring pin		
11	VOE21462604	10							Screw		
12	VOE21723180	1							Vibration damper		
13	VOE20405634	1							Spring pin		
14	VOE21462640	6							Six point socket screw		
15	VOE20757217	1							Pulley		
16	VOE20554683	6							Screw		
17	VOE20860794	1					NS		Gear		
18	VOE20898072	1					NS		Gear		
19	VOE21713373	1					NS		Flange		
20	VOE21510857	10					NS		Insert		

Date: 2014/2/25	Image id: 1063704	Catalogue: 20622	Model: L110G
Brand: Volvo	Serial: 8001-	Group/Section: 216/200	Title: Flywheel housing 84881, 85099



Volvo Construction
Equipment
1063704

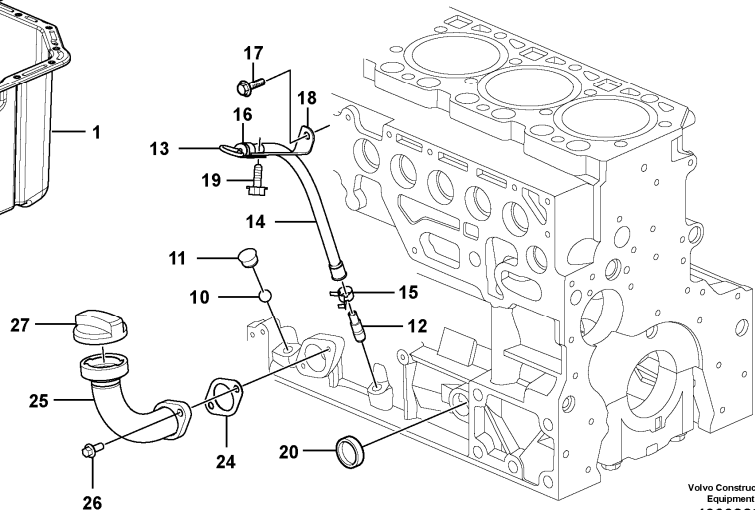
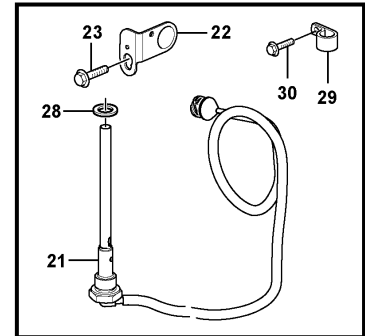
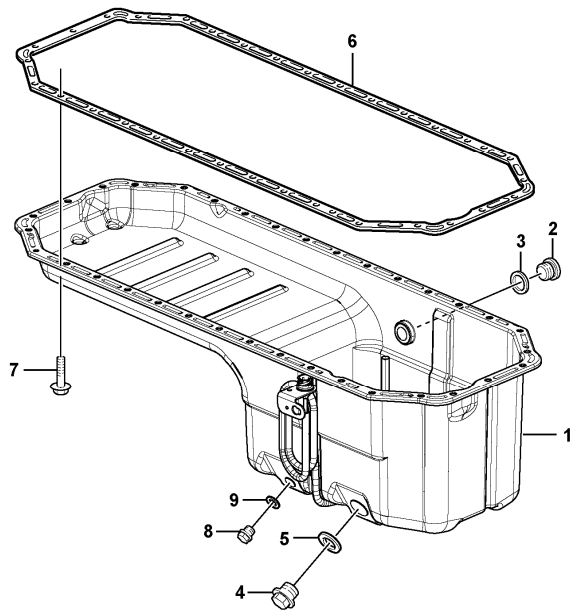
Section option	Kit	Option description
VOE15083692		Engine D8H, US
VOE15165679		Engine D8H, EU
VOE84881		Engine Installation D8H, US
VOE85099		Engine Installation D8H, EU

Pos	Part	Q1	Q2	Q3	Q4	Q5	PS	Kit	Description	Option(s)	Remark
1	VOE21754837	1							Flywheel housing		
	VOE20450784	1							•Labyrinth ring		See footnote 2624)
2	VOE3586534	2							Bushing		
3	VOE20460792	3							Screw		
4	VOE20405714	1							Screw		
5	VOE20405715	1							Screw		
6	VOE20460792	1							Screw		
7	VOE20513343	1							Sensor		SE2701
8	VOE20450694	1							Screw		

9	VOE20795850	1					NS		Seal		
---	-------------	---	--	--	--	--	----	--	------	--	--

2624) Not Shown

Date: 2014/2/25	Image id: 1063829	Catalogue: 20622	Model: L110G
Brand: Volvo	Serial: 8001-	Group/Section: 217/100	Title: Oil sump 84881, 85099



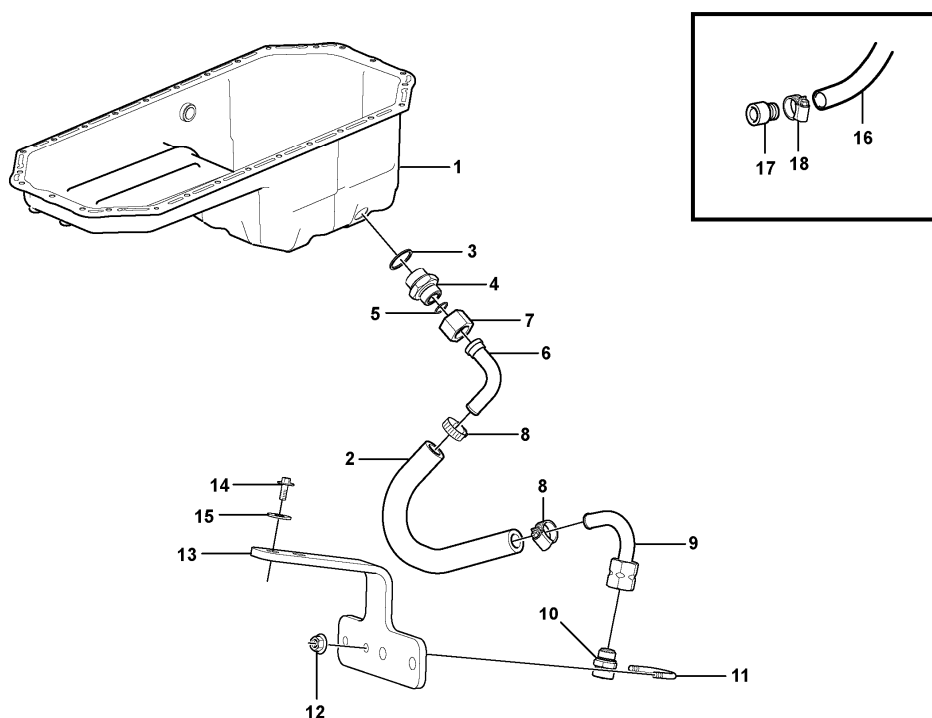
Volvo Construction
Equipment
1063829

Section option	Kit	Option description
VOE15083692		Engine D8H, US
VOE15165679		Engine D8H, EU
VOE84881		Engine Installation D8H, US
VOE85099		Engine Installation D8H, EU

Pos	Part	Q1	Q2	Q3	Q4	Q5	PS	Kit	Description	Option(s)	Remark
1	VOE20814391	1							Oil Pan		
2	VOE20460024	1							•Plug		
3	VOE993680	1							•Gasket		
4	VOE20496257	1							•Plug		
5	VOE993681	1							•Gasket		
6	VOE20405915	1							Gasket		
7	VOE20405792	34							Screw		
8	VOE20405506	1							Plug		
9	VOE993679	1							Gasket		

10	VOE3586662	2							Ball		
11	VOE21349017	2					NS		Plug		
12	VOE21728014	1							Guide tube		
13	VOE21740763	1							Dipstick		
13	VOE20460218	1							•O-ring		
14	VOE21740309	1					NS		Guide Tube		
15	VOE20405568	1							Clip		
16	VOE20459181	1							Clamp		
17	VOE20405792	1							Screw		
18	VOE21740680	1					NS		Retaining Plate		
19	VOE20460055	1							Screw		
20	VOE20799589	1					NS		Cap Plug		
21	VOE21391689	1							Level sensor		OIL
22	VOE20852241	1							Anchorage		
23	VOE20405792	1							Screw		
24	VOE20405825	1							Gasket		
25	VOE21740755	1							Oil filler pipe		
26	VOE20405885	2							Screw		
27	VOE20405835	1							Cap		
28	VOE20828295	1							Sealing ring		
29	VOE20450867	2							Clamp		
30	VOE20405792	2							Screw		

Date: 2014/2/25	Image id: 1024526	Catalogue: 20622	Model: L110G
Brand: Volvo	Serial: 8001-	Group/Section: 217/150	Title: Draining of oil sump



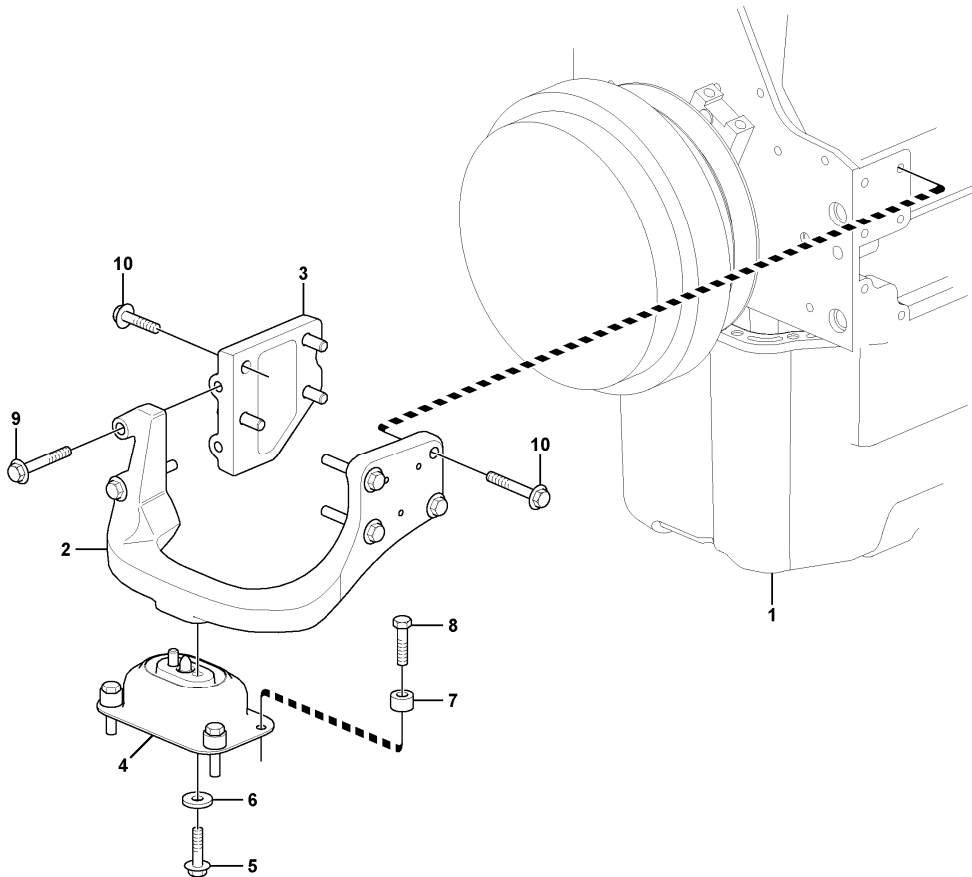
Volvo Construction
Equipment
1024526

Section option	Kit	Option description
VOE33008		Wheel Loader L110G

Pos	Part	Q1	Q2	Q3	Q4	Q5	PS	Kit	Description	Option(s)	Remark
1		1							Oil Pan		
2	VOE190993	REQ							Hose		L = 430 mm
3	VOE993600	1							Gasket		
4	VOE11163064	1							Nipple		
5	VOE990740	1							O-ring		
6	VOE11410190	1							Drain tube		
7	VOE13933877	1							Fitting nut		
8	VOE943473	2							Hose clamp		
9	VOE11173508	1							Drain tube		
10	VOE11054692	1							Valve		
11	VOE11130269	1							Clamp		
12	VOE948645	2							Flange lock nut		

13	VOE11445058	1					OP		Anchorage		
14	VOE13946173	2							Screw		
15	VOE11117464	2							Washer		(VOE13960141)
16	VOE11027418	1							Hose		L = 500 MM
17	VOE11054659	1							Connector		L = 1400 MM
18	VOE943473	1							Hose clamp		

Date: 2014/2/25	Image id: 1061307	Catalogue: 20622	Model: L110G
Brand: Volvo	Serial: 8001-	Group/Section: 218/100	Title: Engine mounting

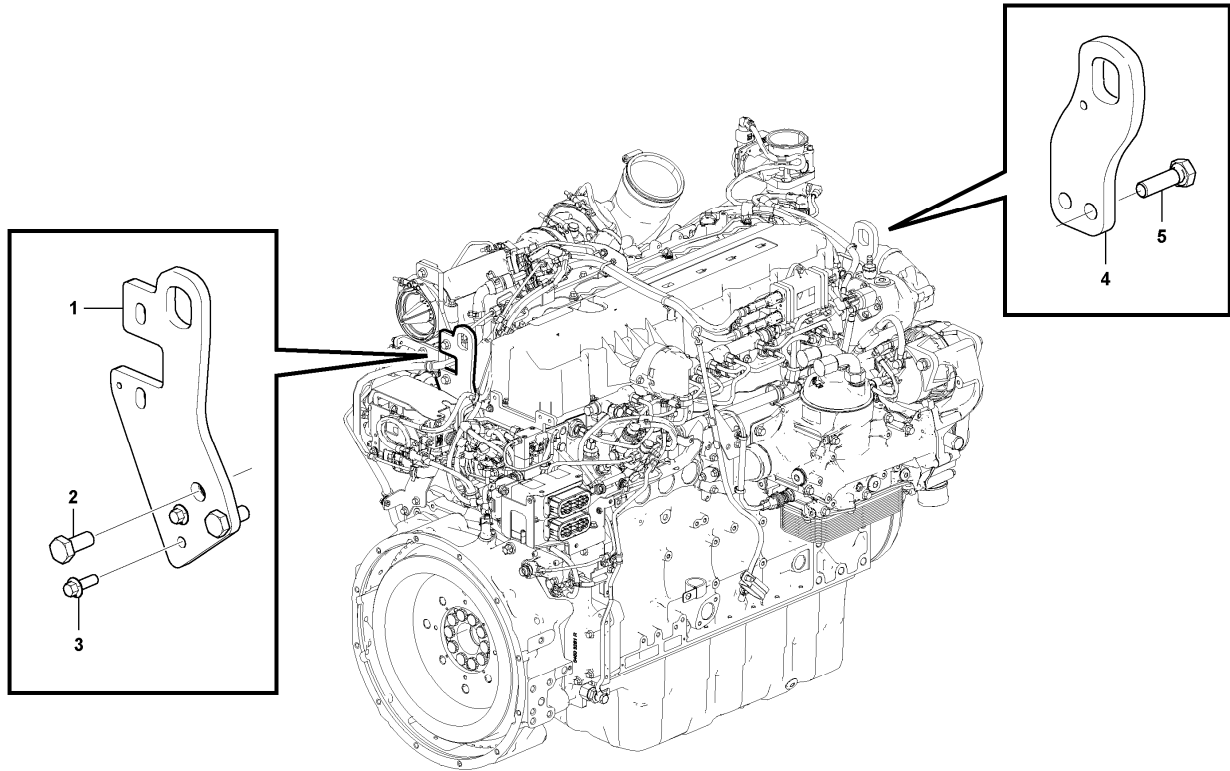


Volvo Construction
Equipment
1061307

Section option	Kit	Option description
VOE33008		Wheel Loader L110G

Pos	Part	Q1	Q2	Q3	Q4	Q5	PS	Kit	Description	Option(s)	Remark
1		1							Engine		See ref 210/100
2	VOE15081894	1					NS		Engine Bracket		
3	VOE15081390	1					NS		Engine Bracket		
4	VOE20503551	1							Rubber cushion		
5	VOE966362	2							Flange screw		
6	VOE930844	2							Washer		
7	VOE11025923	4							Spacer		
8	VOE13965193	4							Screw		
9	VOE968591	2							Flange screw		
10	VOE993589	8							Flange screw		

Date: 2014/2/25	Image id: 1062179	Catalogue: 20622	Model: L110G
Brand: Volvo	Serial: 8001-	Group/Section: 218/200	Title: Engine mounting 84881, 85099

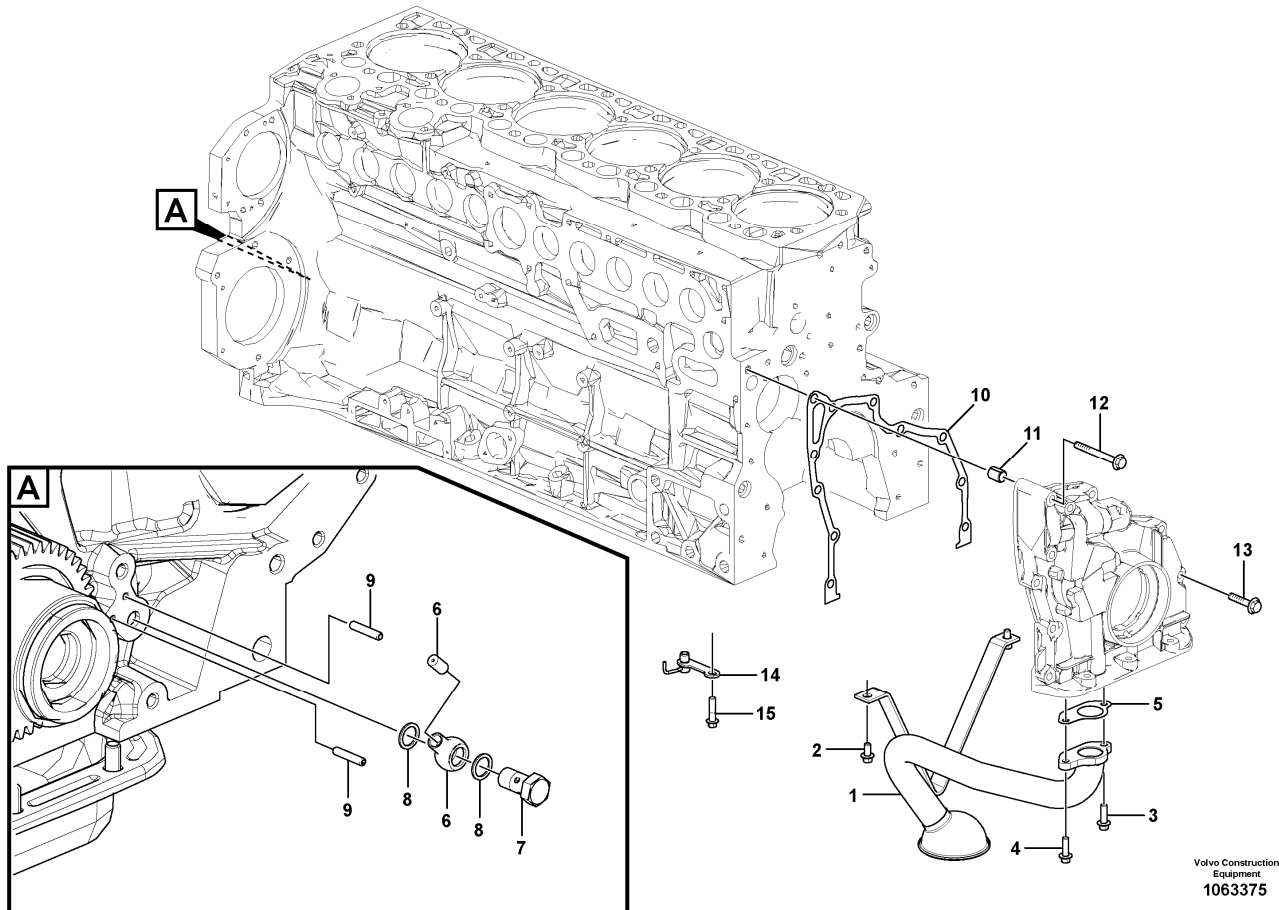


Volvo Construction
Equipment
1062179

Section option	Kit	Option description
VOE15083692		Engine D8H, US
VOE15165679		Engine D8H, EU
VOE84881		Engine Installation D8H, US
VOE85099		Engine Installation D8H, EU

Pos	Part	Q1	Q2	Q3	Q4	Q5	PS	Kit	Description	Option(s)	Remark
1	VOE21754286	1					NS		Bracket		
2	VOE995909	2							Hexagon screw		
3	VOE20797217	2							Flange screw		
4	VOE21724244	1					NS		Lifting eye		
5	VOE20551469	2					NS		Hexagon screw		

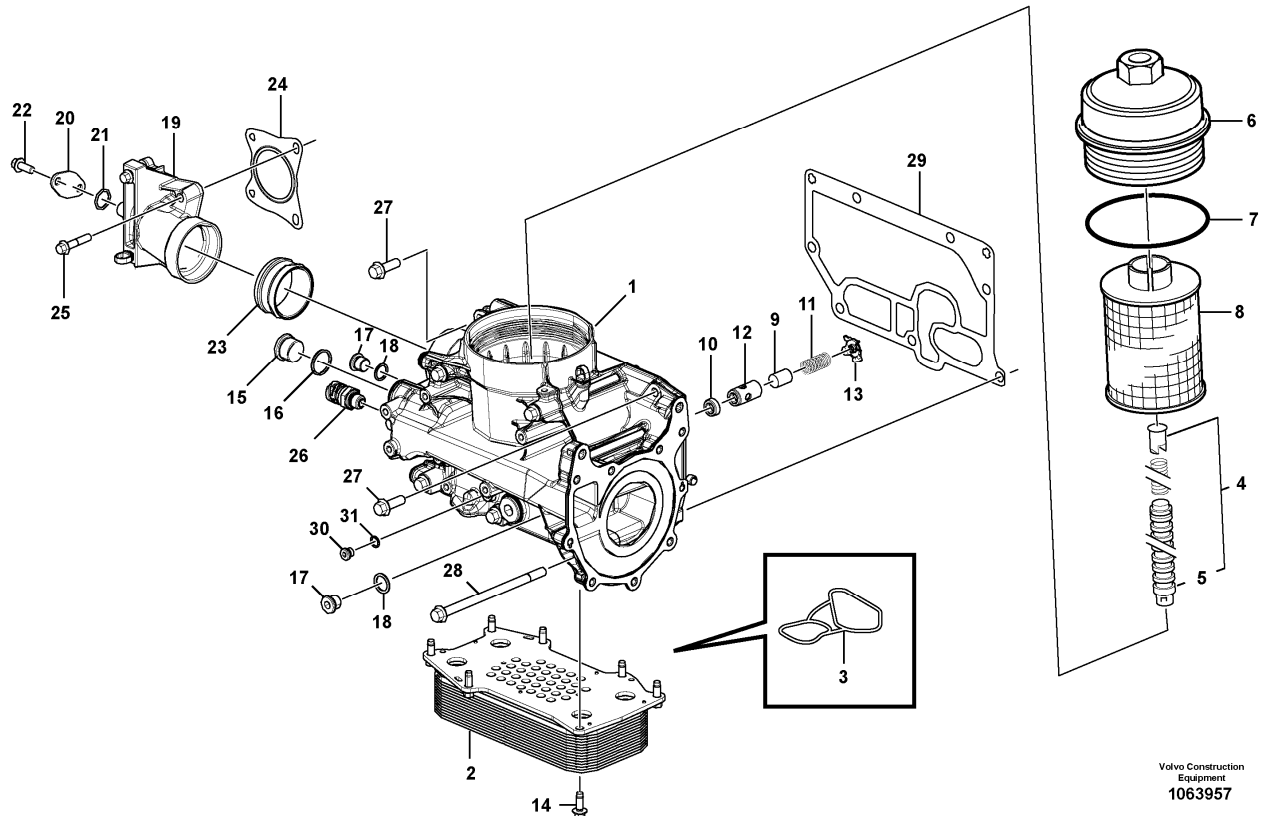
Date: 2014/2/25	Image id: 1063375	Catalogue: 20622	Model: L110G
Brand: Volvo	Serial: 8001-	Group/Section: 221/100	Title: Lubricating oil system 84881, 85099



Section option	Kit	Option description
VOE15083692		Engine D8H, US
VOE15165679		Engine D8H, EU
VOE84881		Engine Installation D8H, US
VOE85099		Engine Installation D8H, EU

Pos	Part	Q1	Q2	Q3	Q4	Q5	PS	Kit	Description	Option(s)	Remark
1	VOE21744687	1							Oil pipe		
2	VOE13949578	2							Screw		
3	VOE13949578	1							Screw		
4	VOE13949578	1							Screw		
5	VOE20779655	1							Gasket		
6	VOE20928174	1							Nozzle		
7	VOE20460289	1							Hollow screw		
8	VOE13947281	2							Gasket		
9	VOE951955	2							Spring pin		

Date: 2014/2/25	Image id: 1063957	Catalogue: 20622	Model: L110G
Brand: Volvo	Serial: 8001-	Group/Section: 223/100	Title: Oil cooler 84881, 85099



Volvo Construction
Equipment
1063957

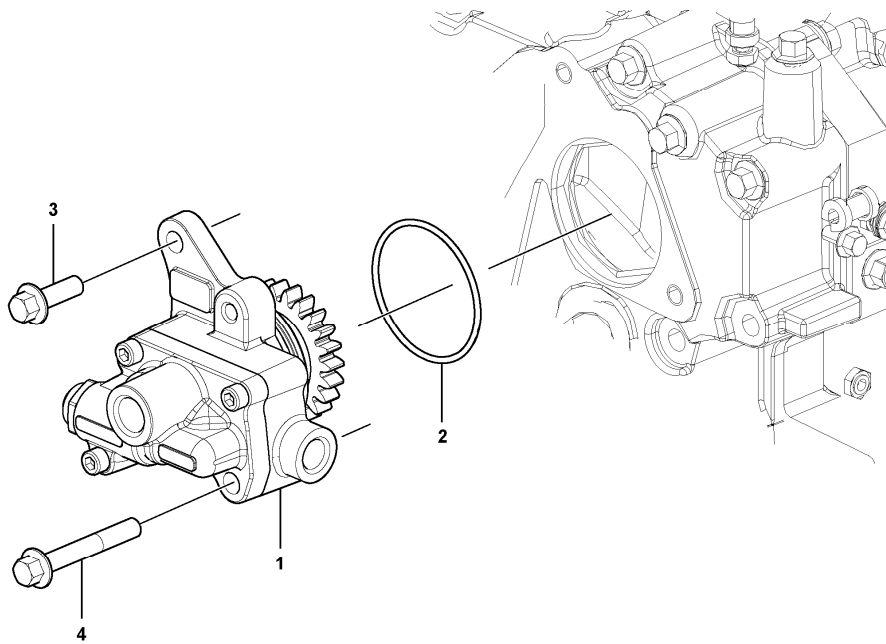
Section option	Kit	Option description
VOE15083692		Engine D8H, US
VOE15165679		Engine D8H, EU
VOE84881		Engine Installation D8H, US
VOE85099		Engine Installation D8H, EU

Pos	Part	Q1	Q2	Q3	Q4	Q5	PS	Kit	Description	Option(s)	Remark
1	VOE21004191	1							Oil cooler		
2	VOE20794112	1					NS		•Oil cooler		
3	VOE20459202	2							•Gasket		
4	VOE21664409	1							•Support		
5	VOE20793400	1							••Support		
6	VOE21004689	1							•Cover		
7	VOE21003838	1							••O-ring		
8	VOE20998807	1							•Oil filter		
9	VOE20862028	1							•Control plunger		

10	VOE20862336	1							•Bolt		
11	VOE20860334	1							•Spring		
12	VOE20860343	1							•Sleeve		
13	VOE20860349	1							•Lock washer		
14	VOE20405885	9							•Screw		
15	VOE20459195	1							•Plug		
16	VOE993407	1							•Gasket		
	VOE21004717	1							•Valve		See footnote 2624)
17	VOE20502245	2							Screw plug		
18	VOE993436	2							Gasket		
19	VOE21073059	1					NS		Coolant pipe		
20	VOE21072778	1							•Flange		
21	VOE20405599	1							•Sealing ring		
22	VOE20405792	1							•Screw		
23	VOE21364512	1							•Plug		
24	VOE21043750	1							Gasket		
25	VOE20405884	4							Screw		
26	VOE20898038	1							Pressure sensor		SE2203
27	VOE20755314	2							Screw		
28	VOE20797054	7							Hexagon screw		
29	VOE20793728	1							Gasket		
30	VOE20795923	1							Plug		
31	VOE993358	1							Gasket		

2624) Not Shown

Date: 2014/2/25	Image id: 1062332	Catalogue: 20622	Model: L110G
Brand: Volvo	Serial: 8001-	Group/Section: 233/100	Title: Fuel pump 84881, 85099

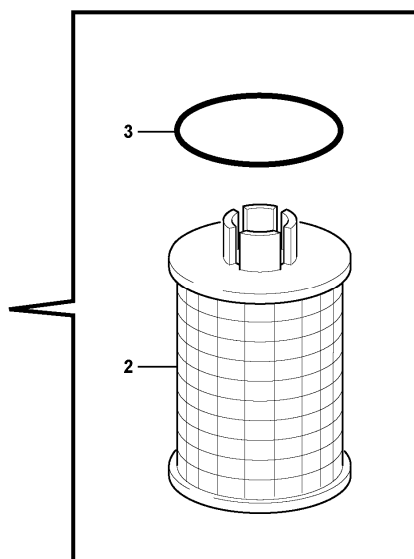
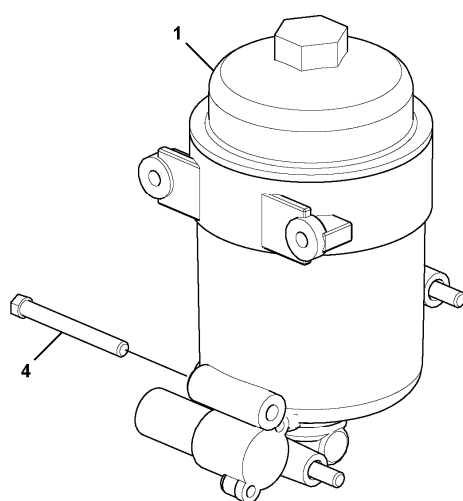
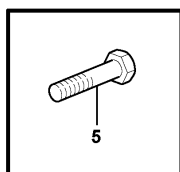


Volvo Construction
Equipment
1062332

Section option	Kit	Option description
VOE15083692		Engine D8H, US
VOE15165679		Engine D8H, EU
VOE84881		Engine Installation D8H, US
VOE85099		Engine Installation D8H, EU

Pos	Part	Q1	Q2	Q3	Q4	Q5	PS	Kit	Description	Option(s)	Remark
1	VOE21683947	1							Fuel pump		
2	VOE20834438	1							O-ring		
3	VOE13949578	1							Screw		
4	VOE20405709	1							Screw		

Date: 2014/2/25	Image id: 1063757	Catalogue: 20622	Model: L110G
Brand: Volvo	Serial: 8001-	Group/Section: 233/150	Title: Fuel filter 84881, 85099



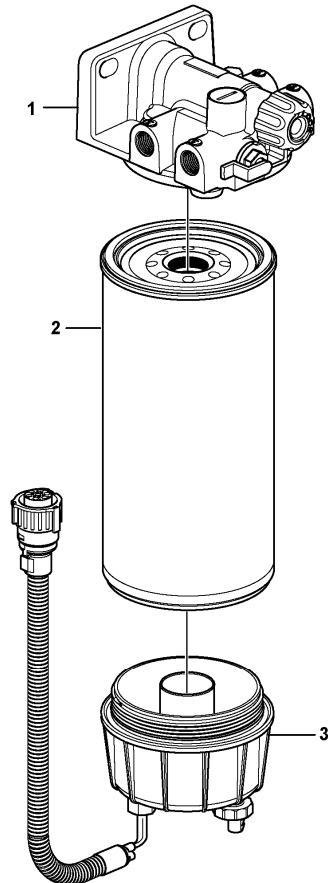
Volvo Construction
Equipment
1063757

Section option	Kit	Option description
VOE15083692		Engine D8H, US
VOE15165679		Engine D8H, EU
VOE84881		Engine Installation D8H, US
VOE85099		Engine Installation D8H, EU

Pos	Part	Q1	Q2	Q3	Q4	Q5	PS	Kit	Description	Option(s)	Remark
1	VOE20860690	1					NS		Fuel Filter		
2	VOE21040558	1					NS		•Fuel filter insert		
3	VOE20766211	1							••Sealing ring		
	VOE21009270	1							•Cover		See footnote 2624)
4	VOE11700269	3							Screw		
5	VOE20405792	2							Screw		

2624) Not Shown

Date: 2014/2/25	Image id: 1023950	Catalogue: 20622	Model: L110G
Brand: Volvo	Serial: 8001-	Group/Section: 233/200	Title: Water separator 33008, 85098



Volvo Construction
Equipment
1023950

Section option	Kit	Option description
VOE33008		Wheel Loader L110G
VOE85098		

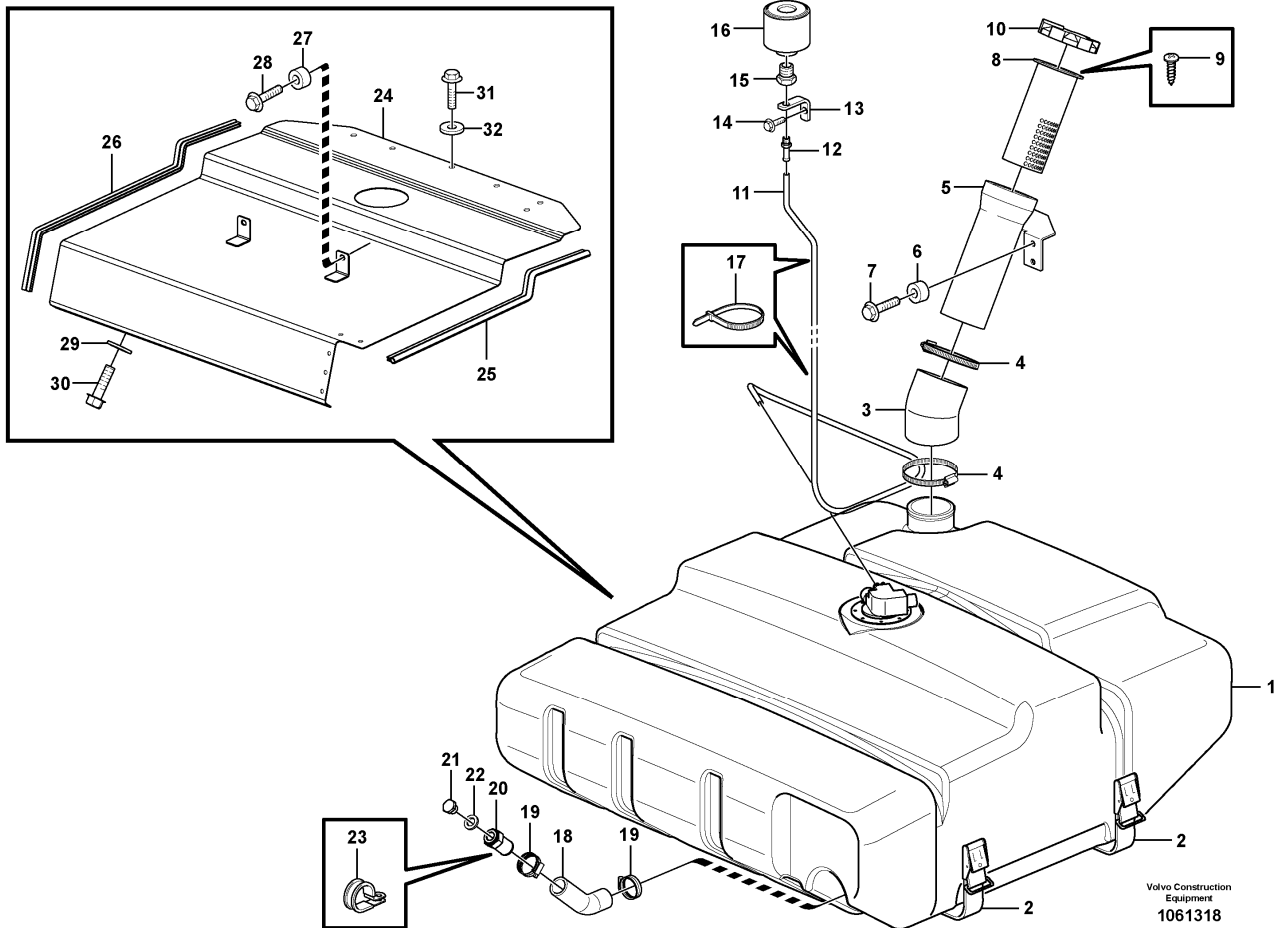
Q1-Q5	Option	Option description	
Q1 33008	VOE33008	Wheel Loader L110G	
Q2 85098	VOE85098		

Pos	Part	Q1	Q2	Q3	Q4	Q5	PS	Kit	Description	Option(s)	Remark
	VOE11110709	1							Water separator		
	VOE15108722		1						Water separator		
1	VOE11110708	1					NS		•Filter Housing		
1	VOE11110702		1				OP		•Filter housing		
2	VOE11110683	1	1						•Primary filter		
3	VOE11110737	1							•Bowl		SE2302
3	VOE11110738		1						•Bowl		SE2302, (FX1005)

	VOE15195930	1	1						••Kit		See footnote 2624)
	VOE15195958	1	1						••Gasket kit		See footnote 2624)

2624) Not Shown

Date: 2014/2/25	Image id: 1061318	Catalogue: 20622	Model: L110G
Brand: Volvo	Serial: 8001-	Group/Section: 234/100	Title: Fuel tank with fitting parts



Volvo Construction
Equipment
1061318

Section option	Kit	Option description
VOE84580		Strainer, fuel fill
VOE33008		Wheel Loader L110G

Q1-Q5	Option	Option description	
Q1 33008	VOE33008	Wheel Loader L110G	
Q2 84580	VOE84580	Strainer, fuel fill	

Pos	Part	Q1	Q2	Q3	Q4	Q5	PS	Kit	Description	Option(s)	Remark
1		1							Fuel tank		See ref 234/150
2	VOE11132499	2							Retaining strap		L = 3200 MM
3	VOE15119391	1							Fuel hose		
4	VOE943483	2							Hose clamp		
5	VOE15119170	1					NS		Filler pipe		
6	VOE13948871	2							Spacer washer		
7	VOE946671	2							Flange screw		

8	VOE15048799		1						Strainer		
9	VOE972264		3						Six point socket screw		
10	VOE11118857	1							Filler cap		
11	VOE11024720	REQ							Plastic hose		L = 1500 mm
12	VOE949221	1							Hose nipple		
13	VOE15182644	1					NS		Bracket		
14	VOE13946752	1							Screw		
15	VOE4854955	1							Nipple		
16	VOE11172907	1							Air filter		
17	VOE4881440	REQ							Cable tie		
18	VOE11411073	1							Hose		L = 150 MM
19	VOE11059294	2							Hose clamp		
20	VOE11411219	1							Nipple		
21	VOE13960632	1							Plug		
22	VOE948884	1							Plane gasket		
23	VOE973944	1							Clamp		
24	VOE15060428	1							Cover plate		
25	VOE4881656	REQ							•Framework moulding		L = 710 MM
26	VOE4881656	REQ							•Framework moulding		L = 870 MM
27	VOE13948871	2							Spacer washer		
28	VOE946671	2							Flange screw		
29	VOE11117464	4							Washer		(VOE13960141)
30	VOE946671	4							Flange screw		
31	VOE13946173	3							Screw		
32	VOE11117464	3							Washer		

Thank you so much for reading.
Please click the “Buy Now!”
button below to download the
complete manual.



After you pay.

You can download the most
perfect and complete manual in
the world immediately.

Our support email:

ebooklibonline@outlook.com