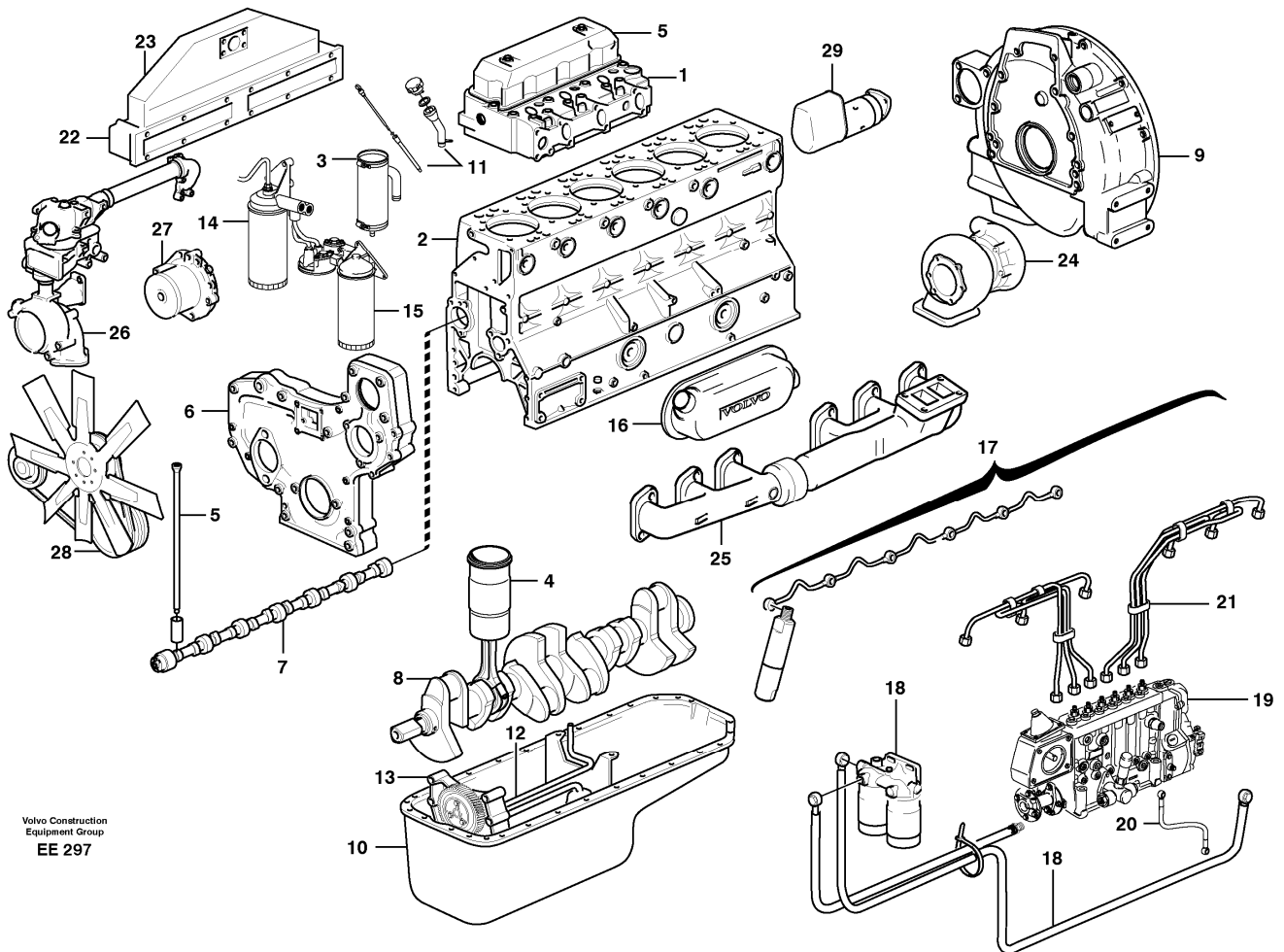


Date: 2014/2/27	Image id: EE297	Catalogue: 97812	Model: L120D
Brand: Volvo	Serial: 14001-15418, 63001-63291, 70501-70615	Group/Section: 210/150	Title: Engine STD, 33361 IRAN

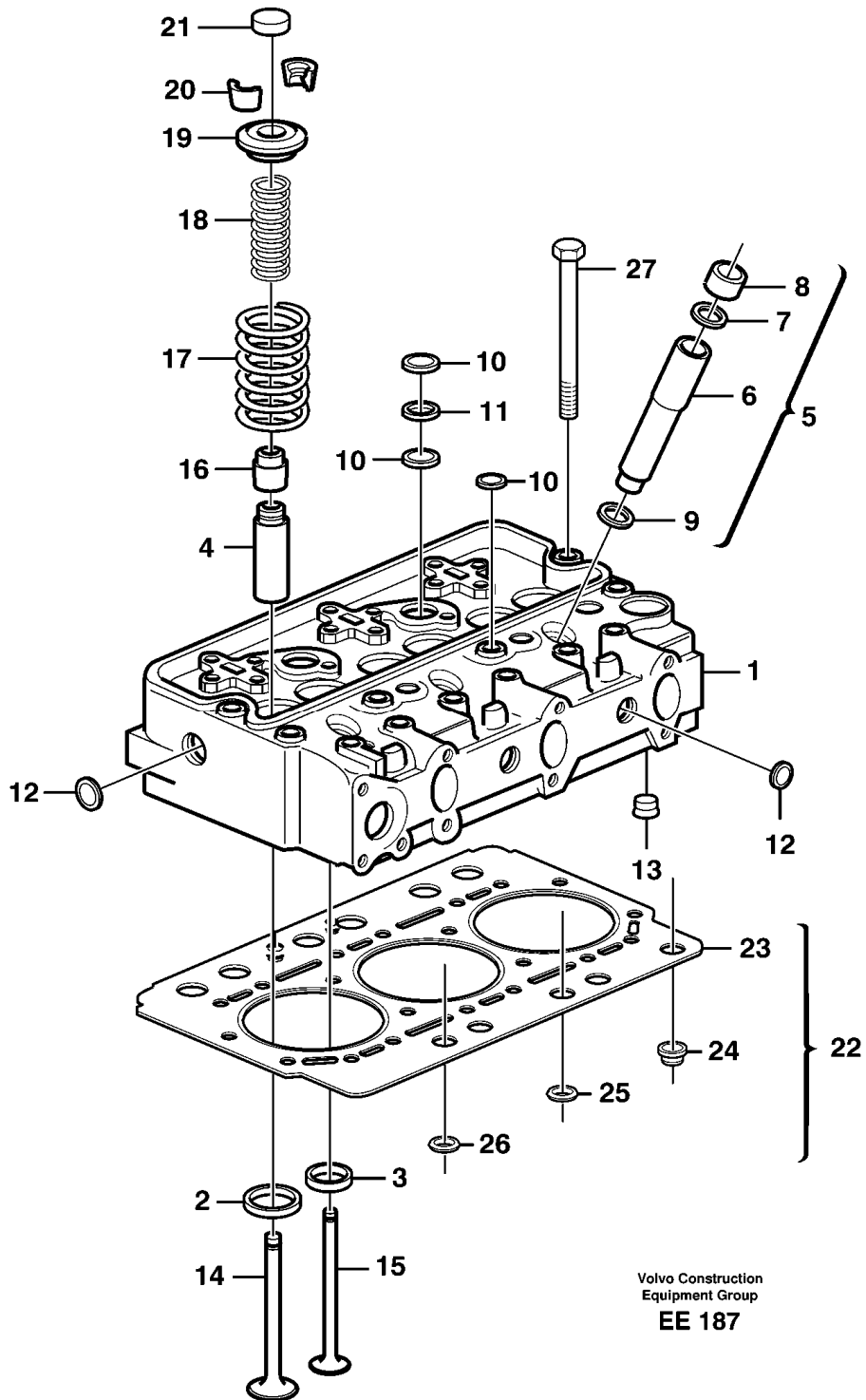


Section option	Kit	Option description
VOE33351		Volvo Wheel Loader L120d
VOE33361		Volvo Wheel Loader L120d IRAN S/N 52000 -

Pos	Part	Q1	Q2	Q3	Q4	Q5	PS	Kit	Description	Option(s)	Remark
	VOE15004165	1							Engine		(VOE8188126)TD 73 KDE
1		2							•Cylinder head		See ref 211/100
2		1							•Cylinder block		See ref 212/100
3		1							•Crankcase ventilation		See ref 212/200
4		6							•Cylinder liner		See ref 213/100

5		1							•Valve mechanism		See ref 214/100
6		1							•Timing gear casing		See ref 215/100
7		1							•Camshaft		See ref 215/150
8		1							•Crankshaft		See ref 216/100
9		1							•Flywheel housing		See ref 216/150
10		1							•Oil sump		See ref 217/100
11		1							•Oil filler and oil		See ref 217/150
									•••dipstick		
12		1							•Lubricating system		See ref 221/100
13		1							•Oil pump		See ref 221/150
14		1							•Oil filter		See ref 222/100
15		1							•Oljefilter by pass		See ref 222/200
16		1							•Oil cooler with hoses		See ref 223/100
									•••Nipple		
17		1							•Fuel system		See ref 230/100
18		1							••Fuel pipes		See ref 235/150
19		1							••Injection pump		See ref 236/100
20		1							••Oil pipe		See ref 236/350
21		1							••Fuel pipe		See ref 237/100
22		1							•Inlet pipe		See ref 251/100
23		1							•Charge air cooler		See ref 258/100
24		1							•Turbocharger		See ref 255/100
25		1							•Exhaust pipe		See ref 251/100
26		1							•Water pump and thermo		See ref 262/100
27		1							•Water pump		See ref 262/150
28		1							•Belt transmission		See ref 263/150
29		1							•Starter motor		See ref 331/100

Date: 2014/2/27	Image id: EE187	Catalogue: 97812	Model: L120D
Brand: Volvo	Serial: 14001-15418, 63001-63291, 70501-70615	Group/Section: 211/100	Title: Cylinder head

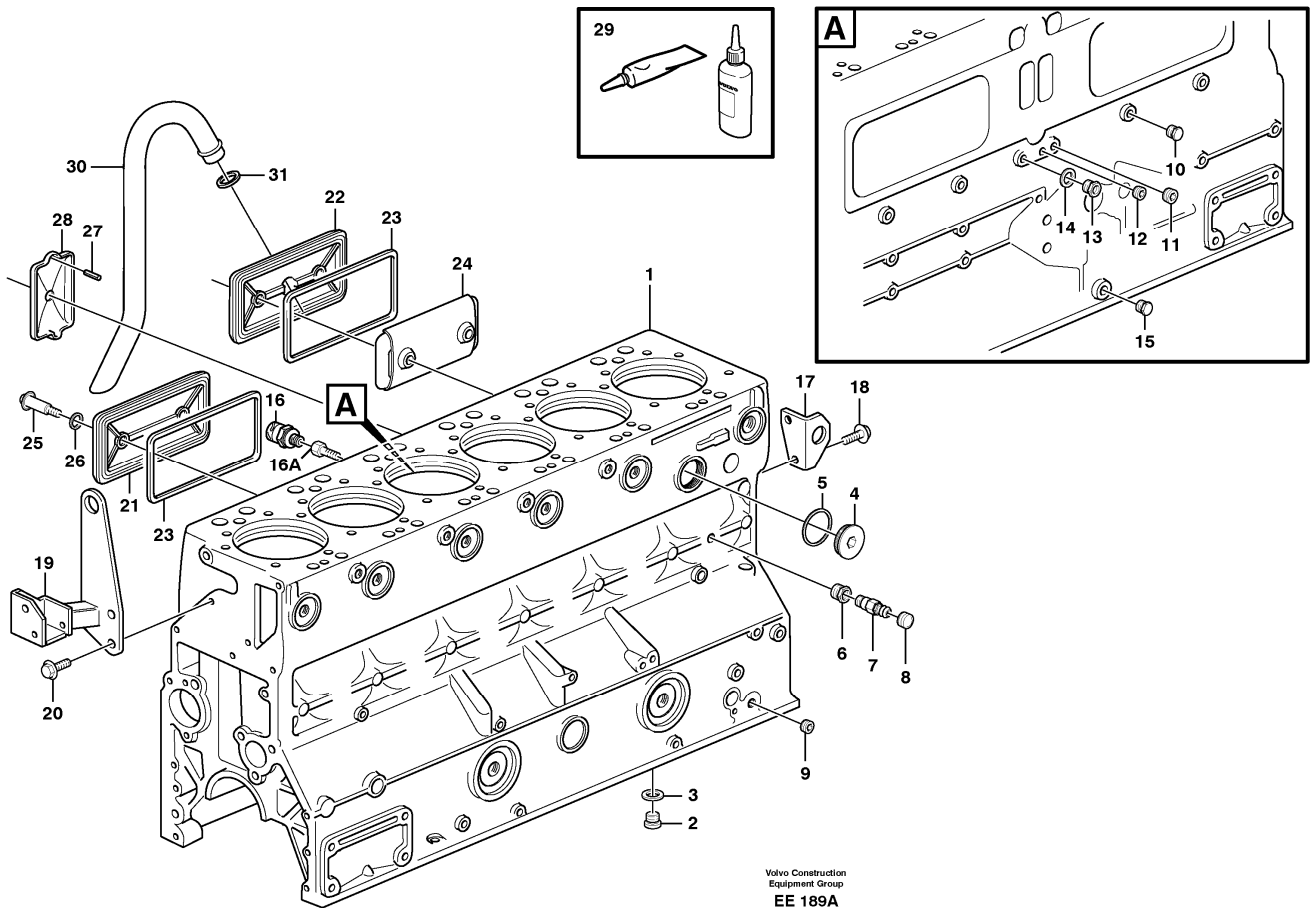


Volvo Construction
Equipment Group
EE 187

Pos	Part	Q1	Q2	Q3	Q4	Q5	PS	Kit	Description	Option(s)	Remark
-----	------	----	----	----	----	----	----	-----	-------------	-----------	--------

	VOE477797	2							Cylinder head		
1	VOE477789	2					SE		•Cylinder head		
2	VOE477657	6							••Valve seat		STD, INLET
	VOE477658	6							••Valve seat		0,2 O SZ
3	VOE477659	6							••Valve seat		STD, EXHAUST
	VOE477667	6							••Valve seat		0,2 O SZ
4	VOE477792	12							••Valve guide		
5	VOE276130	6							••Repair kit		
6	VOE477928	6							•••Socket		
7	VOE466405	6							•••Sealing ring		
8	VOE466420	6							•••Ring		
9	VOE466922	6							•••Sealing ring		
10	VOE477026	14							••Expansion plug		
11	VOE947626	4							••Gasket		
12	VOE477024	8							••Expansion plug		
13	VOE465420	10							••Nozzle		
14	VOE3978768	6							•Inlet valve		(VOE477447)
15	VOE477443	6							•Exhaust valve		
16	VOE859171	12							•Valve seal		
17	VOE466384	12							•Valve spring		
18	VOE466383	12							•Valve spring		
19	VOE477451	12							•Valve washer		
20	VOE1677875	24							•Valve Collet		
21	VOE477449	12							•Valve cap		
22	VOE276816	2							Gasket kit		
23	VOE477874	2					SE		•Gasket		
24	VOE465784	12							•Sealing		
25	VOE422413	2							•Sealing ring		
26	VOE466421	16							•Sealing ring		
27	VOE471481	40							Screw		

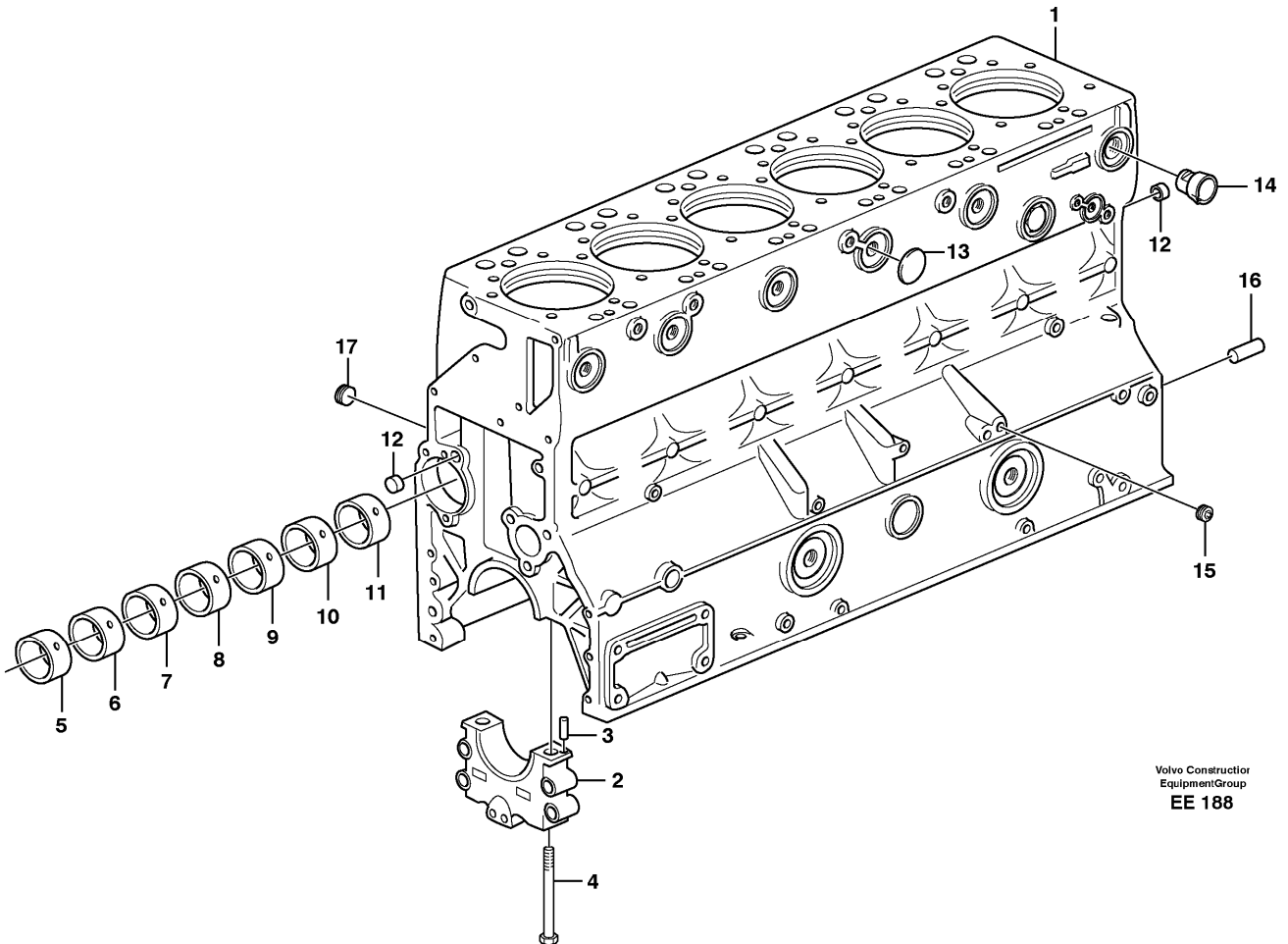
Date: 2014/2/27	Image id: EE189A	Catalogue: 97812	Model: L120D
Brand: Volvo	Serial: 14001-15418, 63001-63291, 70501-70615	Group/Section: 212/100	Title: Cylinder block



Pos	Part	Q1	Q2	Q3	Q4	Q5	PS	Kit	Description	Option(s)	Remark
1		1							Cylinder block		See ref 212/150
2	VOE13966146	1							Plug		
3	VOE13947629	1							Plane gasket		
4	VOE467367	1							Plug		
5	VOE1556907	1							Gasket		
6	VOE479954	1							Nipple		
7	VOE949918	1							Crane		
8	VOE476279	1							Protecting cap		
9	VOE13968062	1							Plug		
10	VOE479979	4							Plug		
11	VOE13968063	1							Plug		(VOE968063)
12	VOE940375	1							Plug		
13	VOE421528	1							Reduction		

14	VOE7011996	1							Gasket		
15	VOE479976	1							Plug		
16	VOE11039575	1							Pressure sensor		SE202
16A	VOE862109	1							Nipple		
17	VOE11030509	1						NS	Iron		RH
	VOE11030510	1						NS	Iron		LH
18	VOE13965191	4							Screw		
19	VOE11127773	1						SS	Bracket		
20	VOE13965191	2							Screw		
21	VOE420120	1							Inspection lid		
22	VOE420121	1							Hatch		
23	VOE421121	2							Gasket		
24	VOE3978045	1							Splash plate		
25	VOE471855	5							Screw		
26	VOE471856	5							Sealing ring		
27	VOE13951973	1							Spring pin		
28	VOE471854	1							Cover		
29	VOE11713514	REQ							Sealant		(VOE1161231)304 ML
	VOE1161277	REQ							Sealant		20 GRAM
30	VOE11030688	1							Breather pipe		
31	VOE421158	1							Sealing ring		

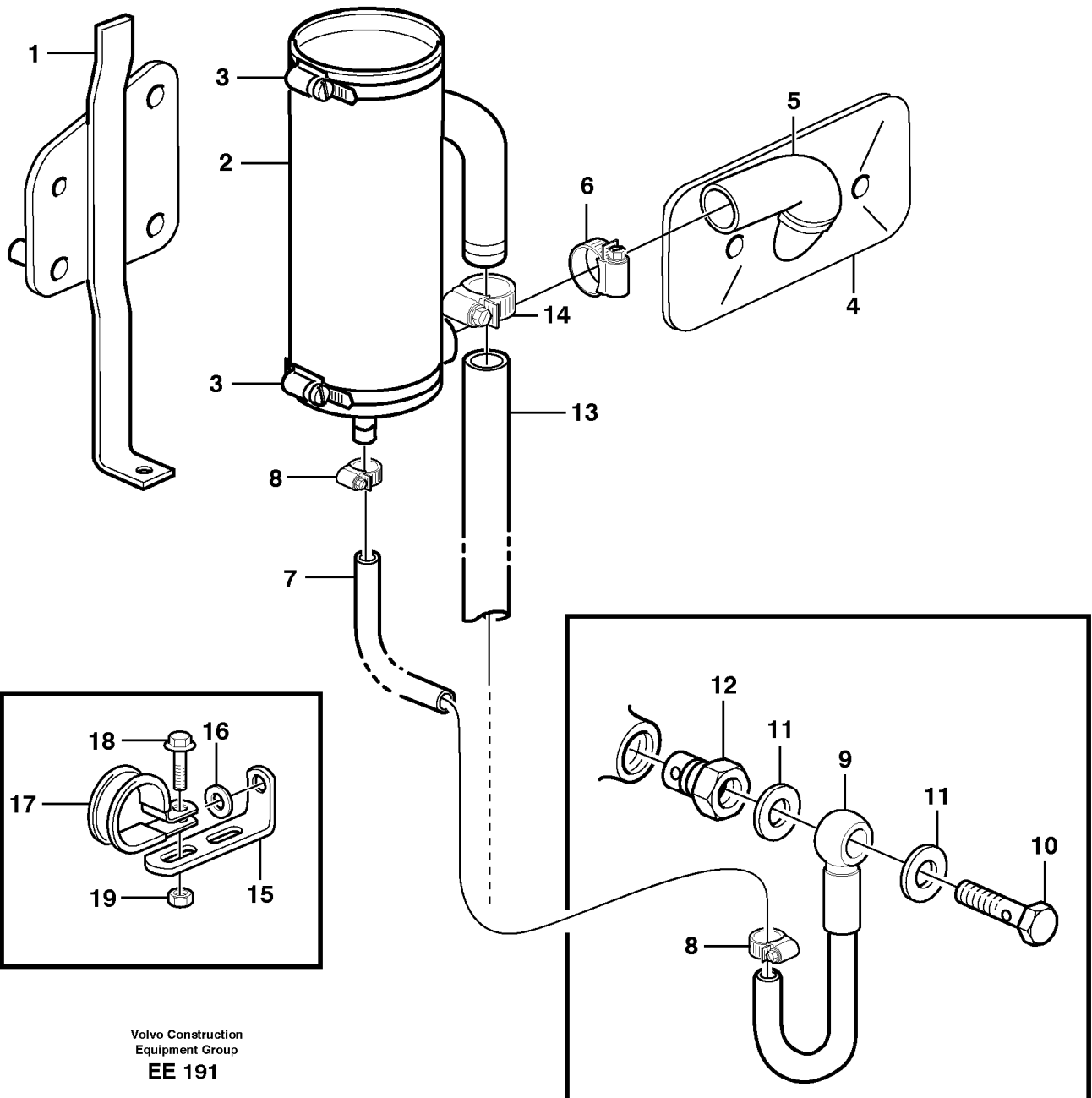
Date: 2014/2/27	Image id: EE188	Catalogue: 97812	Model: L120D
Brand: Volvo	Serial: 14001-15418, 63001-63291, 70501-70615	Group/Section: 212/150	Title: Cylinder block



Volvo Constructor
Equipment Group
EE 188

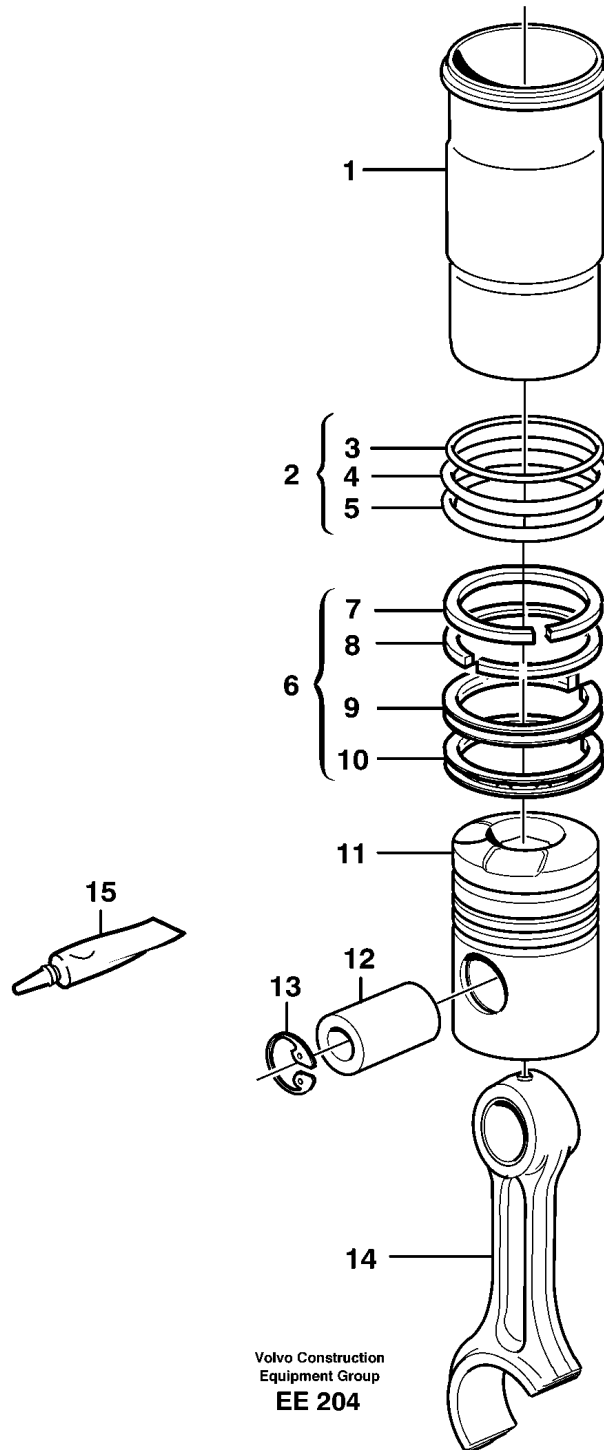
Pos	Part	Q1	Q2	Q3	Q4	Q5	PS	Kit	Description	Option(s)	Remark
	VOE8192730	1							Cylinder block		
1		1					NS		•Cylinder block		
2		7					NS		•Cap		
3	VOE422426	1							•Pin		
4	VOE8192738	14							•Screw		
5	VOE422076	1							•Bushing		
6	VOE422077	1							•Bushing		
7	VOE8192676	1							•Bushing		
8	VOE8192677	1							•Bushing		
9	VOE8192678	1							•Bushing		
10	VOE8192679	1							•Bushing		
11	VOE422082	1							•Bushing		

Date: 2014/2/27	Image id: EE191	Catalogue: 97812	Model: L120D
Brand: Volvo	Serial: 14001-15418, 63001-63291, 70501-70615	Group/Section: 212/200	Title: Crankcase ventilation



Pos	Part	Q1	Q2	Q3	Q4	Q5	PS	Kit	Description	Option(s)	Remark
1	VOE11127722	1							Anchorage		
2	VOE11127757	1							Oil trap		

Date: 2014/2/27	Image id: EE204	Catalogue: 97812	Model: L120D
Brand: Volvo	Serial: 14001-15418, 63001-63291, 70501-70615	Group/Section: 213/100	Title: Cylinder liner and piston

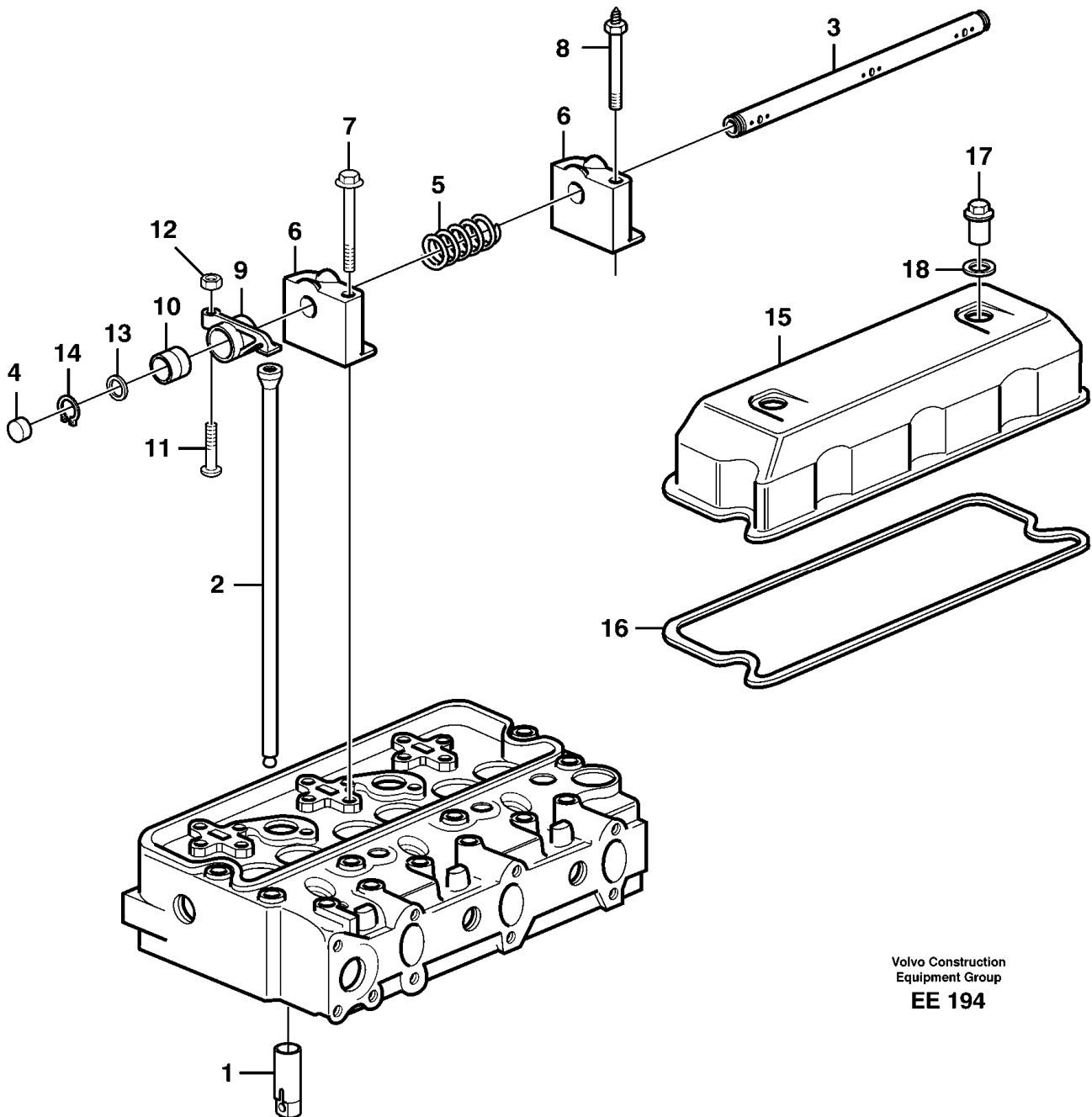


Volvo Construction
Equipment Group
EE 204

Pos	Part	Q1	Q2	Q3	Q4	Q5	PS	Kit	Description	Option(s)	Remark
-----	------	----	----	----	----	----	----	-----	-------------	-----------	--------

	VOE276900	1						Cylinder liner kit		
1	VOE3978530	6					NS	•Cylinder Liner		
2	VOE271159	6						•Seg Ring Kit		
3	VOE471419	6					NS	••Sealing ring		Upper / övre
4	VOE471424	12					NS	••Oil feed pipe		Centre / mitten
5	VOE424831	6					NS	••Sealing ring		Lower / nedre
6	VOE276037	6						•Piston Ring Kit		
7	VOE864158	6					NS	••Compression ring		Upper / övre
8	VOE477492	6					NS	••Compression ring		Lower / undre
9	VOE477507	6					NS	••Oil ring		
10	VOE477508	6					NS	••Expanding- / oil rin		
11	VOE477470	6					NS	•Piston		
12	VOE3978589	6						•Piston Pin		
13	VOE914525	12						•Snap Ring		
14		6						Connecting rod		See ref 216/100
15	VOE1161277	REQ						Sealant		20 GRAM
	VOE11713514	REQ						Sealant		(VOE1161231)304 ML

Date: 2014/2/27	Image id: EE194	Catalogue: 97812	Model: L120D
Brand: Volvo	Serial: 14001-15418, 63001-63291, 70501-70615	Group/Section: 214/100	Title: Valve mechanism

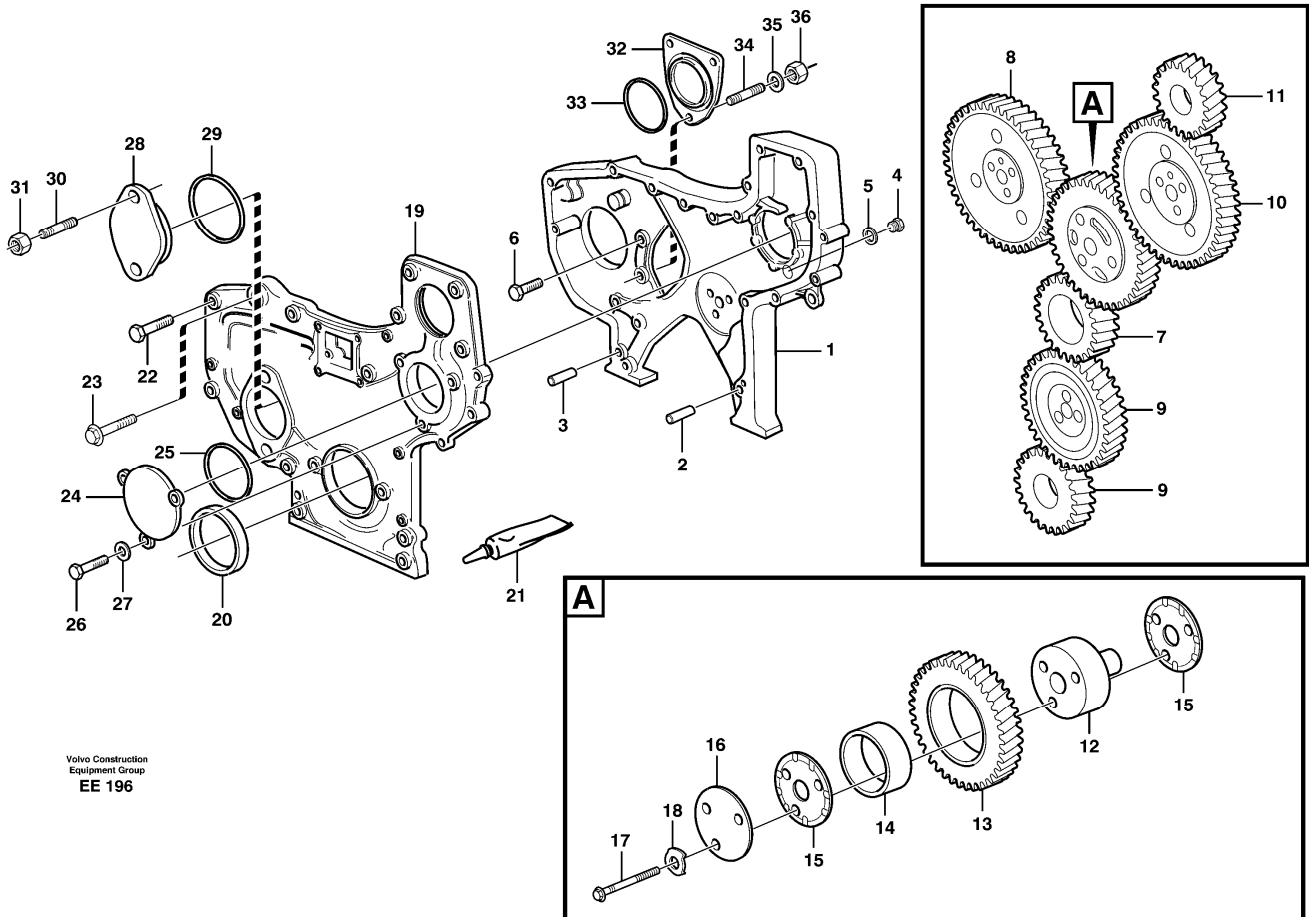


Volvo Construction
Equipment Group
EE 194

Pos	Part	Q1	Q2	Q3	Q4	Q5	PS	Kit	Description	Option(s)	Remark
1	VOE11030953	12							Tappet		See ref 215/150
2	VOE8192698	12							Push rod		
	VOE471518	2							Rocker arm shaft		

3	VOE471519	2					NS		•Rocker Arm Shaft		
4	VOE946778	4							•Cap plug		
5	VOE421173	4							Spring		
6	VOE477384	6							Bearing Bracket		
7	VOE471513	8							Screw		
8	VOE471512	4							Screw		
	VOE422063	6							Rocker arm		
9	VOE423264	6					NS		•Rocker arm		
10	VOE422066	6							••Bushing		
11	VOE422993	6							••Bolt		
12	VOE940175	6							••Nut		
13	VOE941488	4							Washer		
14	VOE914459	4							Retaining ring		
15	VOE471426	2							Valve cover		
16	VOE471520	2							Gasket		
17	VOE465961	4							Cap nut		
18	VOE471856	4							Sealing ring		

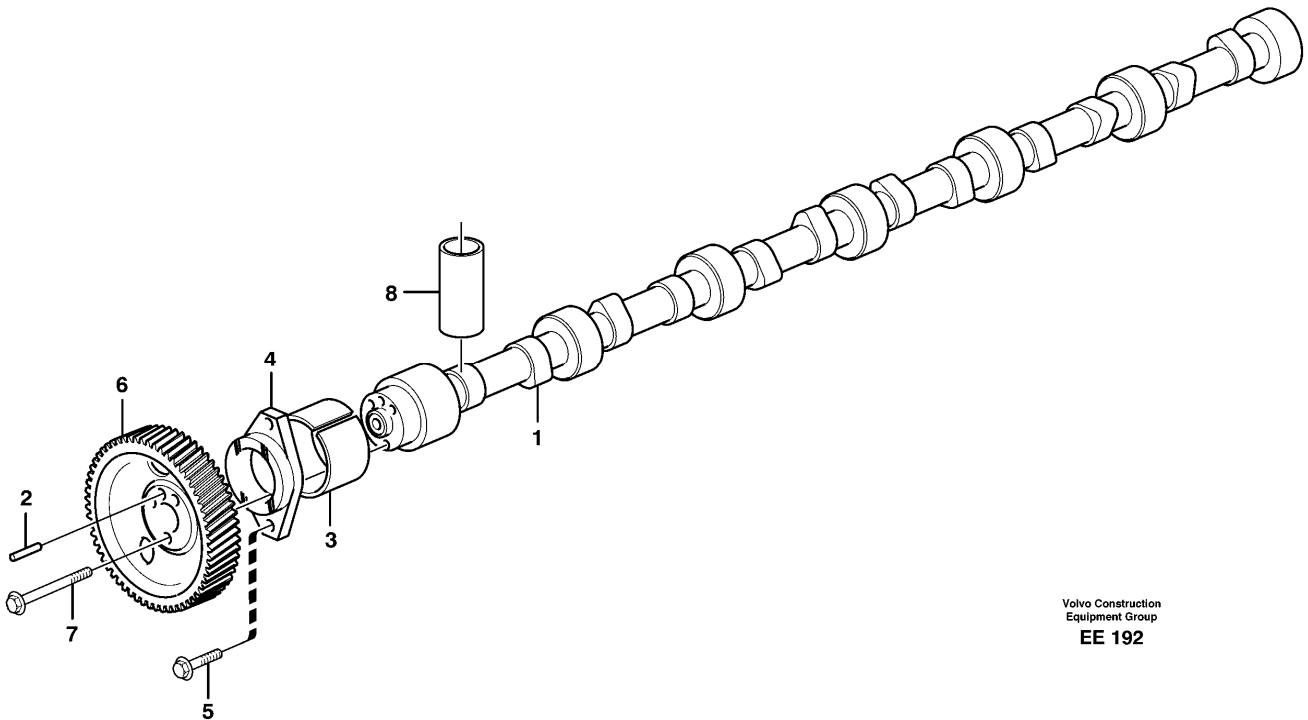
Date: 2014/2/27	Image id: EE196	Catalogue: 97812	Model: L120D
Brand: Volvo	Serial: 14001-15418, 63001-63291, 70501-70615	Group/Section: 215/100	Title: Timing gear casing and gears



Pos	Part	Q1	Q2	Q3	Q4	Q5	PS	Kit	Description	Option(s)	Remark
1	VOE471505	1							Tmg Gear Casing		
2	VOE13941510	1							Pin		
3	VOE13941511	1							Pin		
4	VOE13960632	1							Plug		
5	VOE13947624	1							Plane Gasket		
6	VOE471534	2							Screw		L = 28 MM
	VOE471535	2							Screw		L = 58 MM
7		1							Crankshaft gear		See ref 216/100
8		1							Camshaft gear		See ref 215/150
9		2							Oilpump gear		See ref 221/150
10		1							Gear,inject.pump		See ref 236/150
11		1							Water pump ger		See ref 262/200
12	VOE8192636	1							Bearing spindle		(VOE479779)

13	VOE8192578	1							Idler Gear		
14	VOE479687	1							•Bushing		
15	VOE478951	2							Thrust Washer		
16	VOE478954	1							Bearing Shield		
17	VOE8192579	3							Screw		
18	VOE942180	3							Disc Spring		
	VOE8192590	1							Tmg Gear Cover		
19	VOE8192589	1					NS		•Tmg gear cover		
20	VOE477118	1							•Sealing ring		
21	VOE11713514	REQ							Sealant		(VOE1161231)304 ML
	VOE1161277	REQ							Sealant		20 GRAM
22	VOE13947760	7							Flange screw		L = 40 MM
	VOE13948217	2							Flange screw		L = 45 MM
	VOE13965216	1							Screw		L = 55 MM
	VOE13965182	6							Flange screw		L = 80 MM
	VOE13965183	1							Flange screw		L = 90 MM
23	VOE965225	1							Flange screw		
24	VOE471559	1							Cap		
25	VOE925257	1							O-ring		
26	VOE13945444	3							Flange screw		
27	VOE13941907	3							Spring Washer		
28	VOE465735	1							Cap		
29	VOE925094	1							O-ring		
30	VOE479972	1							Stud		L = 45 MM
	VOE479973	1							Stud		L = 80 MM
31	VOE13971095	2							Flange nut		
32	VOE420178	1							Cover		
33	VOE13975610	1							O-ring		
34	VOE967951	3							Stud		
35	VOE955899	3							Washer		
36	VOE13971073	3							Hexagon Nut		

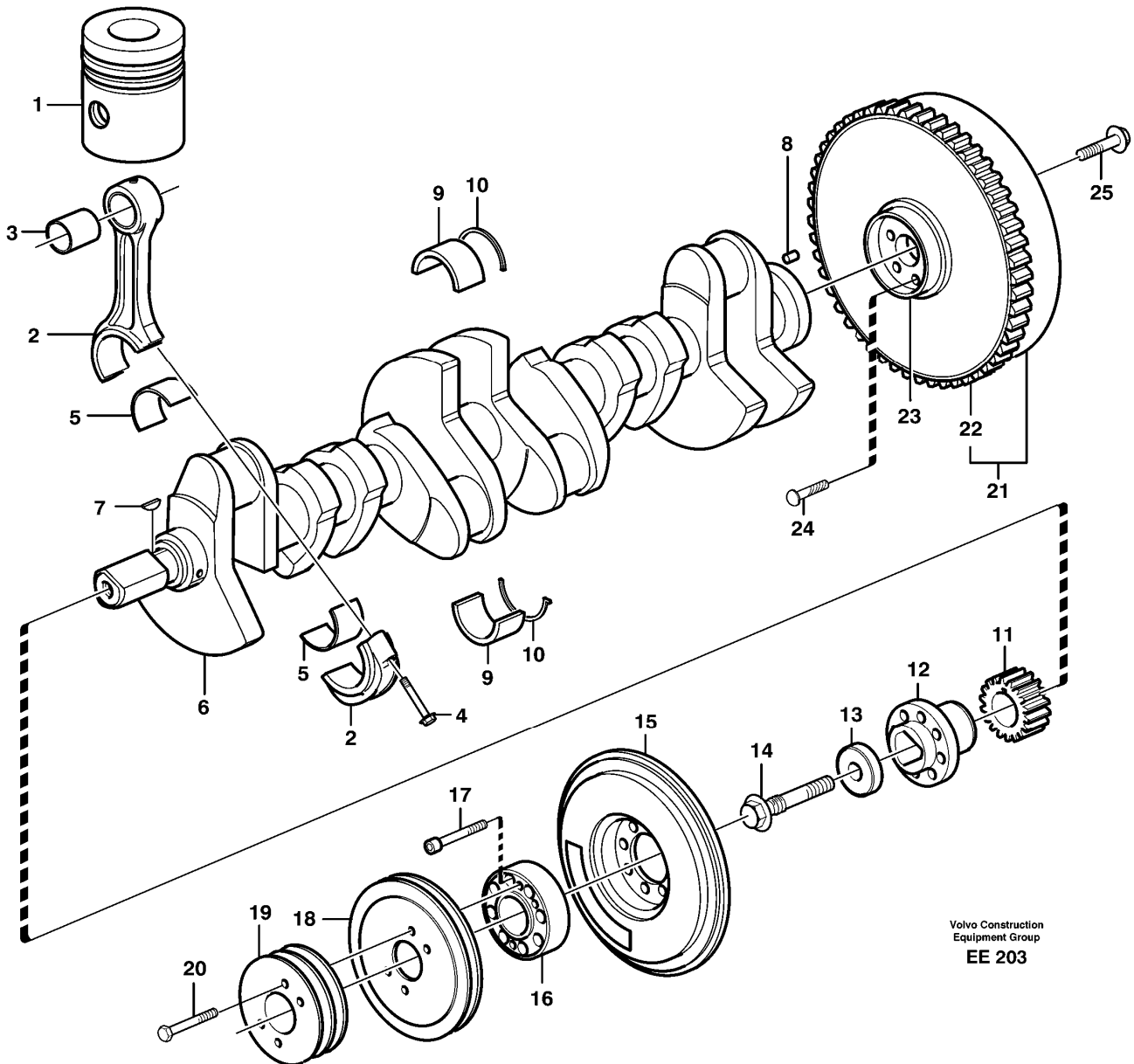
Date: 2014/2/27	Image id: EE192	Catalogue: 97812	Model: L120D
Brand: Volvo	Serial: 14001-15418, 63001-63291, 70501-70615	Group/Section: 215/150	Title: Camshaft



Volvo Construction
Equipment Group
EE 192

Pos	Part	Q1	Q2	Q3	Q4	Q5	PS	Kit	Description	Option(s)	Remark
	VOE8192784	1							Camshaft		
1	VOE8192785	1					NS		•Camshaft		
2	VOE950588	1							•Pin		
3		7							Bearing bushing		See ref 212/150
4	VOE465789	1							Flange		
5	VOE471509	2							Screw		
6	VOE478297	1							Gear		
7	VOE471555	3							Screw		
8		12							Tappet		See ref 214/100

Date: 2014/2/27	Image id: EE203	Catalogue: 97812	Model: L120D
Brand: Volvo	Serial: 14001-15418, 63001-63291, 70501-70615	Group/Section: 216/100	Title: Crankshaft and related parts

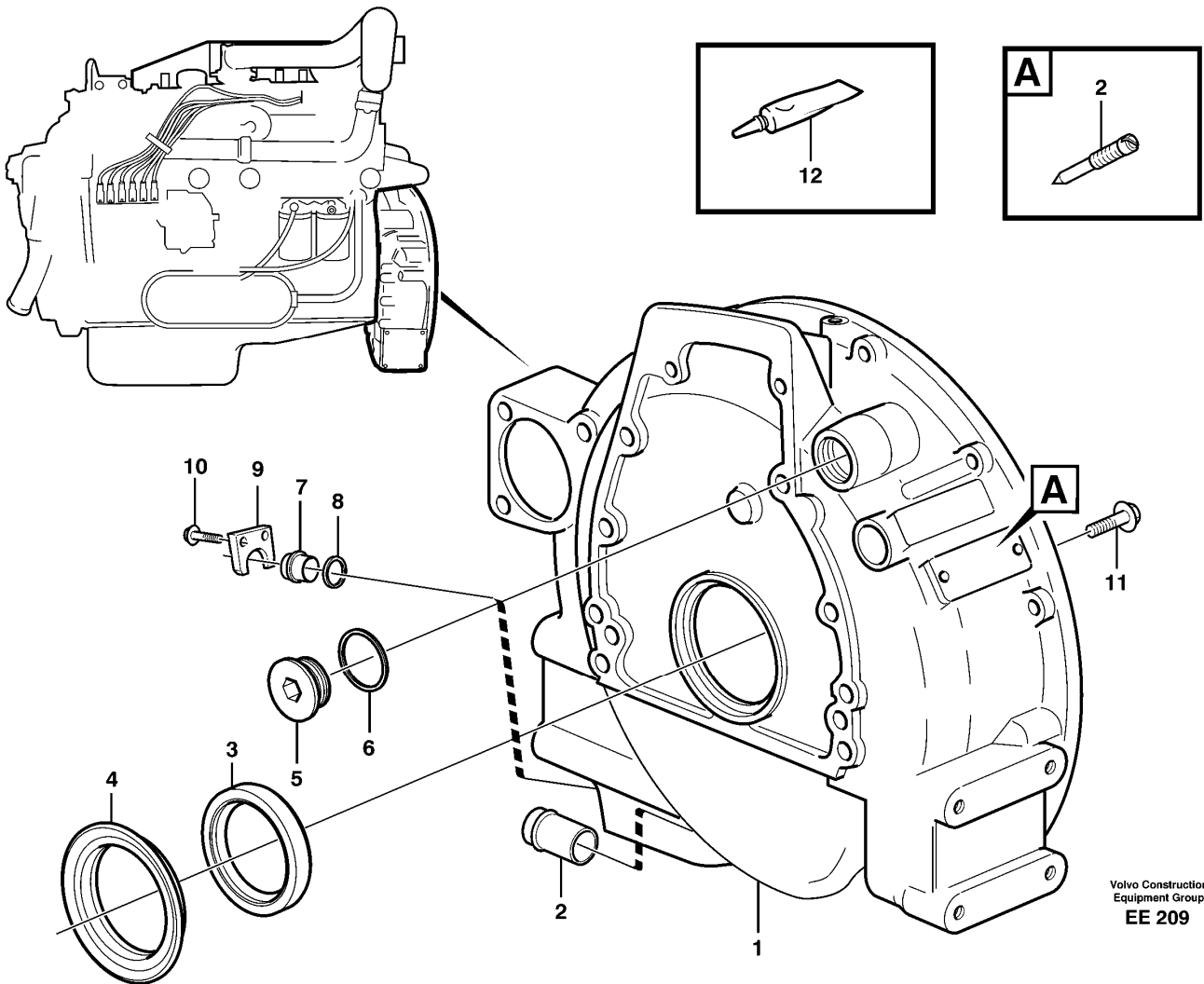


Volvo Construction
Equipment Group
EE 203

Pos	Part	Q1	Q2	Q3	Q4	Q5	PS	Kit	Description	Option(s)	Remark
1		6							Piston		See ref 213/100
	VOE471523	6							Connecting rod		
2		6					NS		•Connecting rod		
3	VOE471364	6							•Bushing		
4	VOE465815	12							•Screw		

5	VOE270115	6						Big End Brg Kit		STD
	VOE270116	6						Big End Brg Kit		0,25 MM U SZ
	VOE270117	6						Big End Brg Kit		0,50 MM U SZ
	VOE270118	6					OP	Big End Brg Kit		0,75 MM U SZ
	VOE270119	6						Big End Brg Kit		1,00 MM U SZ
	VOE8192695	1						Crankshaft		
6		1					NS	•Crankshaft		
7	VOE422253	1						•Key		
8	VOE950681	1						•Pin		
9	VOE276894	7						Main bearing		STD
	VOE276895	7						Main bearing kit		0,25 MM U SZ
	VOE276896	7						Main bearing kit		0,50 MM U SZ
	VOE276897	7						Main bearing kit		0,75 MM U SZ
	VOE276898	7						Main bearing kit		1,00 MM U SZ
	VOE276899	7						Main bearing kit		1,25 MM U SZ
10	VOE276890	1						Thrust washer		STD
	VOE276891	1						Thrust washer		0,25 MM O SZ
	VOE276892	1						Thrust washer		0,50 MM O SZ
	VOE276893	1						Thrust washer		0,75 MM O SZ
11	VOE471528	1						Gear		
12	VOE465779	1						Hub		
13	VOE420124	1						Washer		
14	VOE470366	1						Screw		
15	VOE421515	1						Vibration damper		
16	VOE4772218	1						Hub		
17	VOE4772247	8						Screw		
	VOE471529	8						Screw	VOE93961	
18	VOE4772217	1						Pulley		
	VOE11032882	1						Pulley	VOE93961	
19	VOE4772236	1						Pulley		
20	VOE13965187	4						Screw		
21	VOE11030882	1						Flywheel		
22	VOE420794	1						•Gear ring		
23	VOE786589	1						Deflector		
24	VOE905654	4						Drive screw		
25	VOE465815	9						Screw		

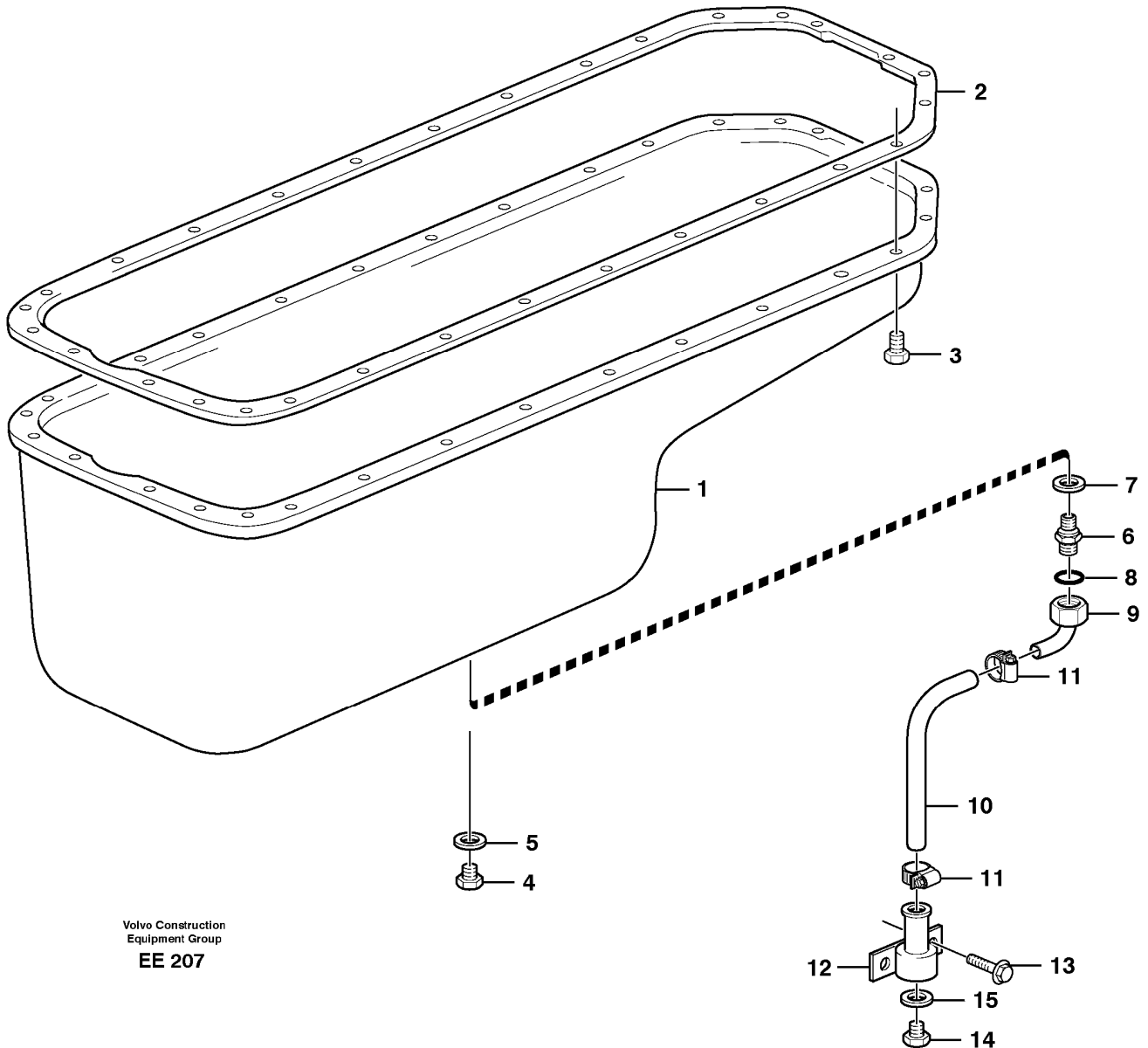
Date: 2014/2/27	Image id: EE209	Catalogue: 97812	Model: L120D
Brand: Volvo	Serial: 14001-15418, 63001-63291, 70501-70615	Group/Section: 216/150	Title: Flywheel housing



Pos	Part	Q1	Q2	Q3	Q4	Q5	PS	Kit	Description	Option(s)	Remark
	VOE11030948	1							Flywheel housing		
1		1					NS		•Flywheel housing		
2	VOE11030889	1							••Pin		
3	VOE477119	1							•Crankshaft seal		
4	VOE4772132	1							•Oil Catcher		
5	VOE467367	2							Plug		
6	VOE1556907	2							Gasket		
7	VOE11031785	1							Plug		
8	VOE421158	1							Sealing ring		
9	VOE11031769	1							Lock washer		

10	VOE13966378	2							Flange screw		
11	VOE13966361	8							Flange screw		L = 55 MM
	VOE968753	2							Flange screw		L = 75 MM
12	VOE11713514	REQ							Sealant		(VOE1161231)304 ML
	VOE1161277	REQ							Sealant		20 GRAM

Date: 2014/2/27	Image id: EE207	Catalogue: 97812	Model: L120D
Brand: Volvo	Serial: 14001-15418, 63001-63291, 70501-70615	Group/Section: 217/100	Title: Oil sump



Volvo Construction
Equipment Group
EE 207

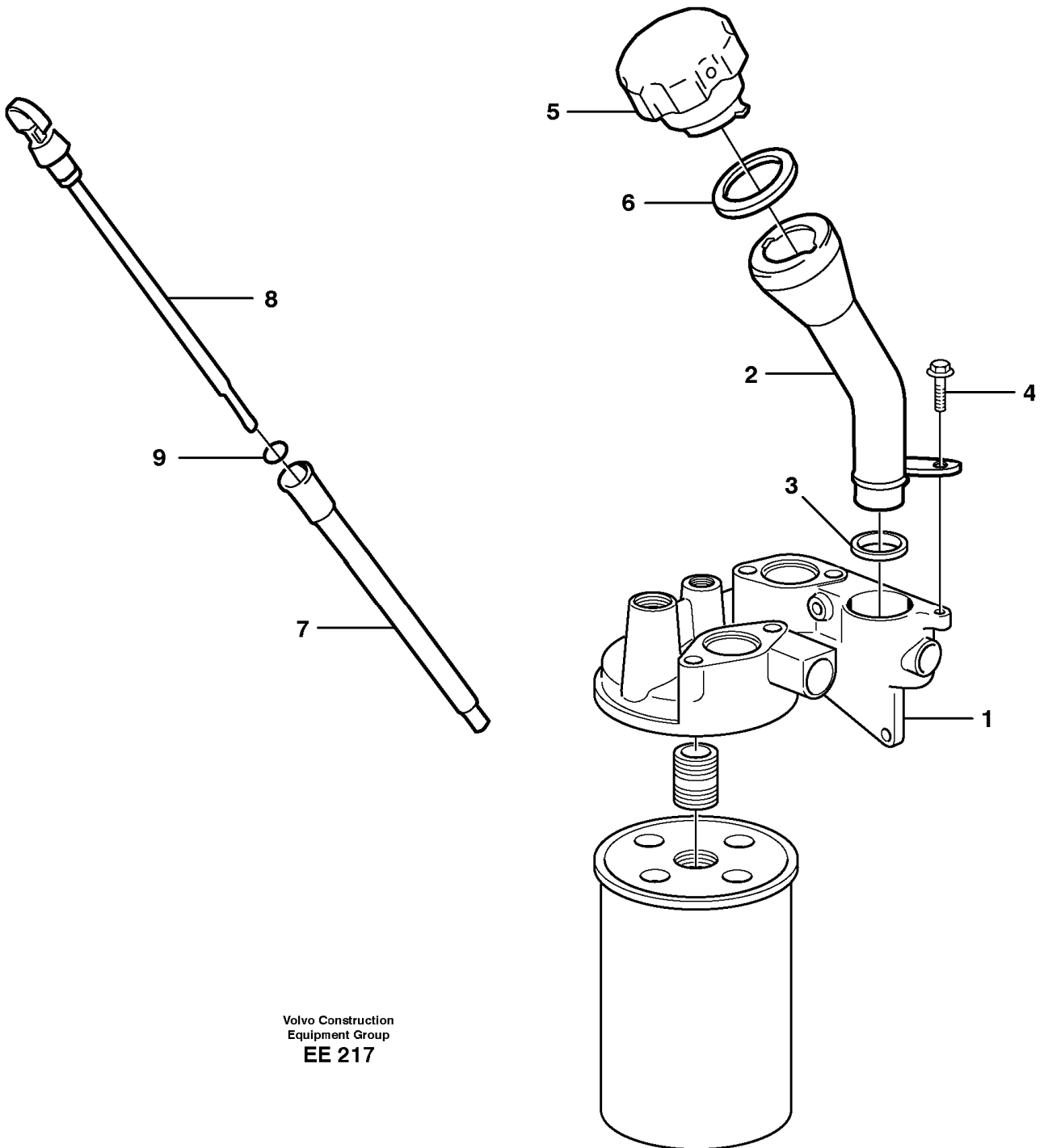
Section option	Kit	Option description
VOE33361		Volvo Wheel Loader L120d IRAN S/N 52000 -

Q1-Q5	Option	Option description
Q1 STD		
Q2 33361 IRAN	VOE33361	Volvo Wheel Loader L120d IRAN S/N 52000 -

Pos	Part	Q1	Q2	Q3	Q4	Q5	PS	Kit	Description	Option(s)	Remark
-----	------	----	----	----	----	----	----	-----	-------------	-----------	--------

1	VOE11030931	1							Oil pan		
2	VOE11030779	1							Gasket		
3	VOE946440	36							Flange screw		
4	VOE13949175	1							Magnetic plug		
5	VOE949329	1	1						Gasket		
6	VOE11130084	1	1						Nipple		
7	VOE949329	1							Gasket		
8	VOE981289	1	1						O-ring		
9	VOE11133290	1	1						Oil draining pipe		
10	VOE13961193	REQ	REQ						Hydraulic hose		L = 540 MM
11	VOE943475	2	2						Hose clamp		
12	VOE11133314	1	1						Nipple		
13	VOE946440	2	2						Flange screw		
14	VOE13960634	1	1						Plug		
15	VOE948885	1	1						Plane gasket		

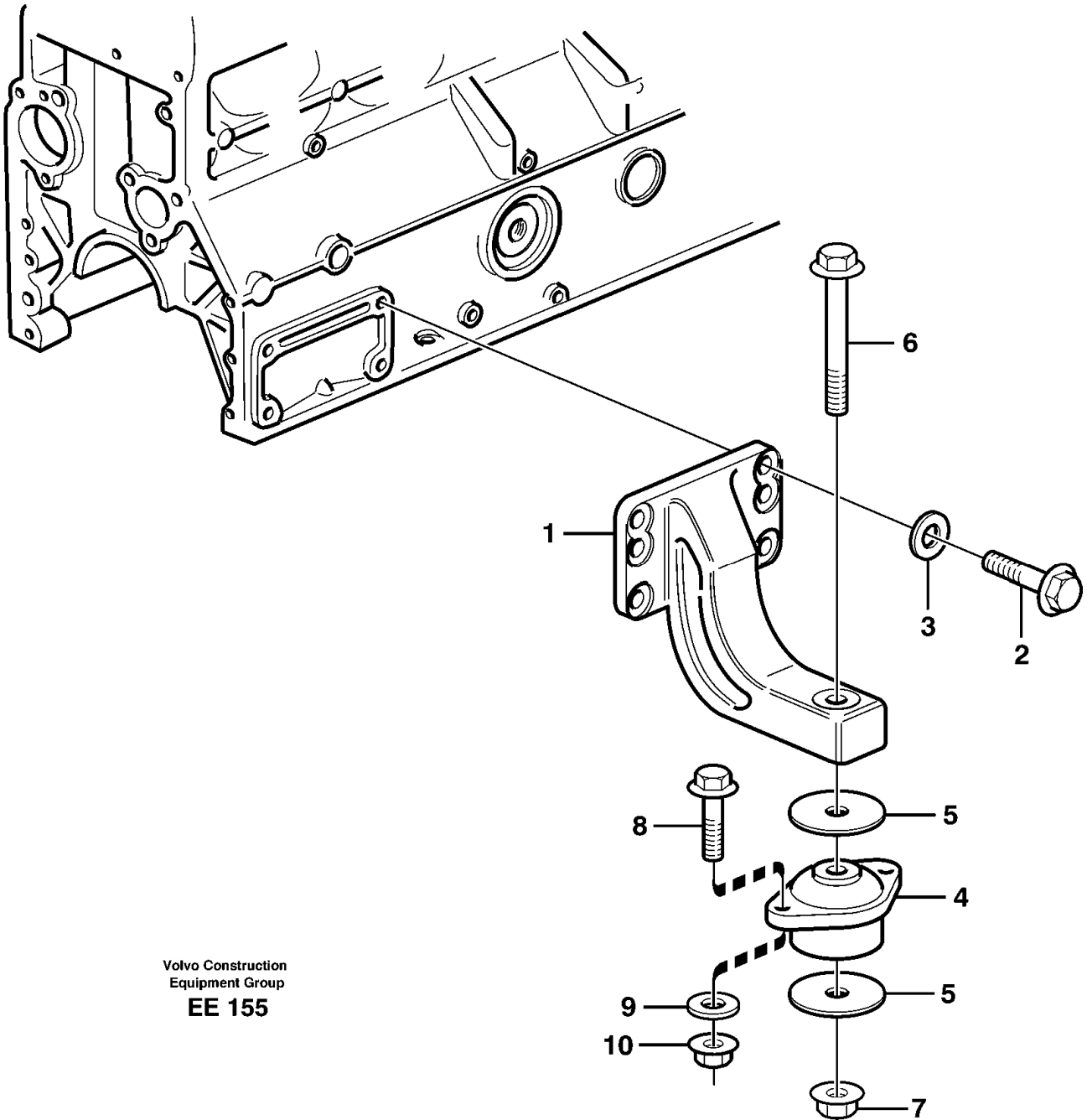
Date: 2014/2/27	Image id: EE217	Catalogue: 97812	Model: L120D
Brand: Volvo	Serial: 14001-15418, 63001-63291, 70501-70615	Group/Section: 217/150	Title: Oil filler and dipstick



Pos	Part	Q1	Q2	Q3	Q4	Q5	PS	Kit	Description	Option(s)	Remark
-----	------	----	----	----	----	----	----	-----	-------------	-----------	--------

1		1							Housing		See ref 222/100
2	VOE4772233	1							Oil filler pipe		
3	VOE421629	1							Sealing ring		
4	VOE946440	1							Flange screw		
5	VOE3547599	1					SS		Oil filler cap		
6	VOE1275379	1							•Gasket		(VOE940096)
7	VOE4772103	1							Tube		
8	VOE4772191	1							Dipstick		
9	VOE925054	1							•O-ring		

Date: 2014/2/27	Image id: EE155	Catalogue: 97812	Model: L120D
Brand: Volvo	Serial: 14001-15418, 63001-63291, 70501-70615	Group/Section: 218/100	Title: Engine mounting



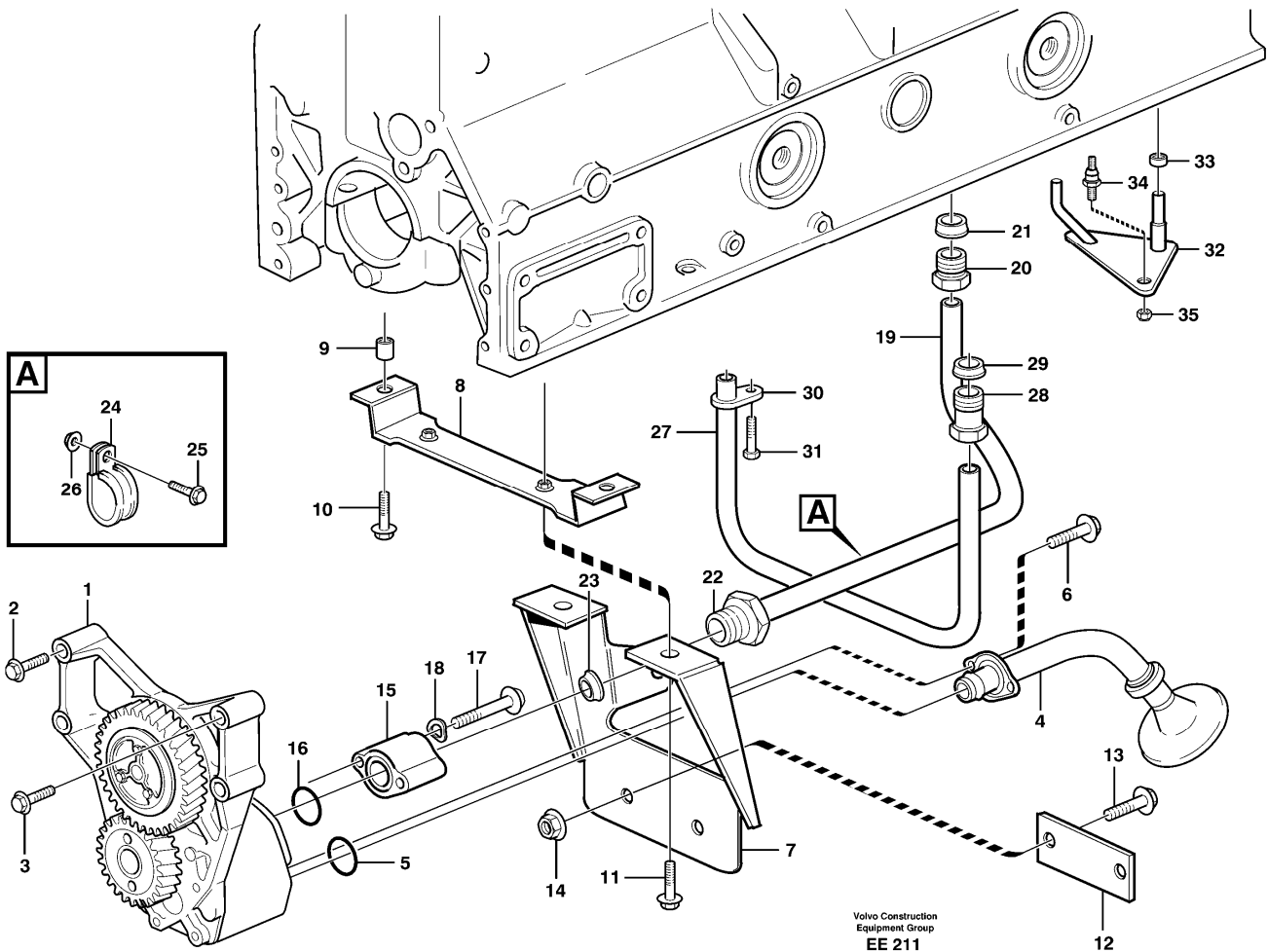
Volvo Construction
Equipment Group
EE 155

Section option	Kit	Option description
VOE33361		Volvo Wheel Loader L120d IRAN S/N 52000 -

Q1-Q5	Option	Option description	
Q1 STD			
Q2 33361 IRAN	VOE33361	Volvo Wheel Loader L120d IRAN S/N 52000 -	

Pos	Part	Q1	Q2	Q3	Q4	Q5	PS	Kit	Description	Option(s)	Remark
1	VOE4856778	2							Engine Mounting		
2	VOE13965227	8							Screw		
3	VOE13955897	8							Washer		
4	VOE342812	2							Rubber cushion		SER NO - 14460 SER NO - 63116 USA SER NO - 70537 BRAZIL
	VOE11174162	2	2						Rubber cushion		SER NO 14461 - SER NO 63117 - USA SER NO 70538 - BRAZIL
5	VOE11015657	4							Washer		SER NO - 14460 SER NO - 63116 USA SER NO - 70537 BRAZIL
	VOE11147828	4	4						Washer		SER NO 14461 - SER NO 63117 - USA SER NO 70538 - BRAZIL
6	VOE968595	2	2						Flange screw		
7	VOE13967934	2	2						Flange Lock Nut		
8	VOE13965185	4	4						Flange screw		
9	VOE13960143	4	4						Washer		SER NO - 14460 SER NO - 63116 USA SER NO - 70537 BRAZIL
10	VOE13971098	4	4						Flange nut		

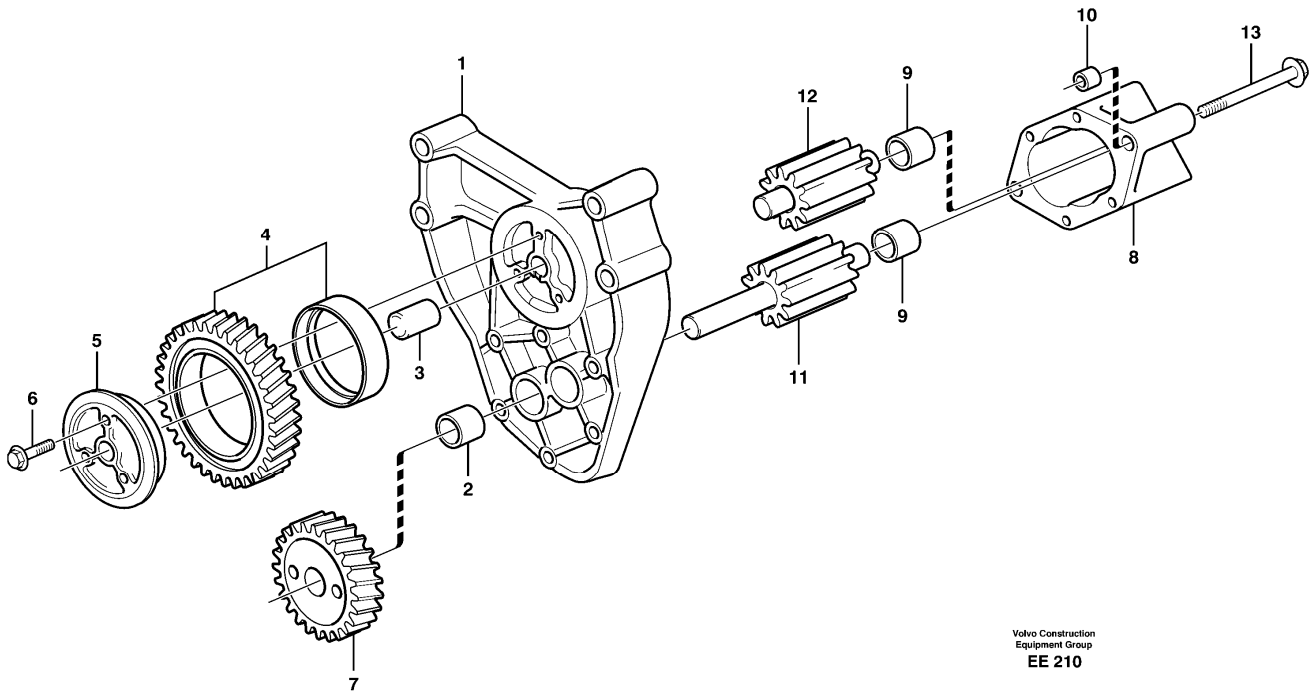
Date: 2014/2/27	Image id: EE211	Catalogue: 97812	Model: L120D
Brand: Volvo	Serial: 14001-15418, 63001-63291, 70501-70615	Group/Section: 221/100	Title: Lubricating oil system



Pos	Part	Q1	Q2	Q3	Q4	Q5	PS	Kit	Description	Option(s)	Remark
1		1							Oil pump		See ref 221/150
2	VOE471734	2							Screw		
3	VOE471513	4							Screw		
4	VOE4772100	1							Suction pipe		
5	VOE470383	1							Sealing ring		
6	VOE13965184	2							Flange screw		
7	VOE4772097	1							Baffle plate		
8	VOE11032896	1							Bracket		
9	VOE843075	2							Spacer sleeve		
10	VOE968999	2							Flange screw		
11	VOE946440	2							Flange screw		
12	VOE421750	1							Washer		

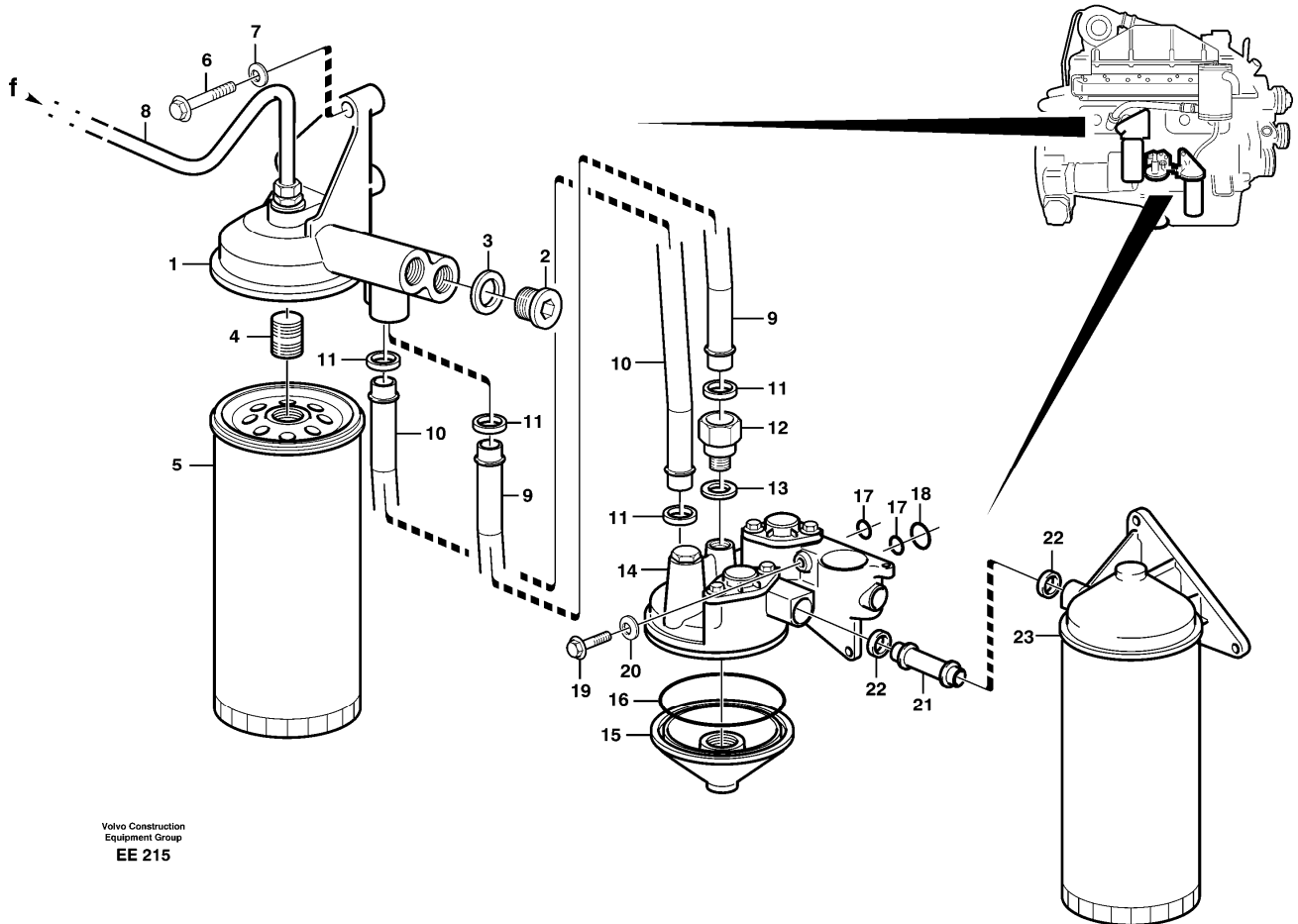
13	VOE13965218	2							Screw		
14	VOE13945408	2							Nut		
15	VOE465846	1							Sleeve		
16	VOE470383	1							Sealing ring		
17	VOE968553	2							Flange screw		
18	VOE13941907	2							Washer		
	VOE477948	1							Oil feed pipe		
19	VOE864612	1					NS		•Oil feed pipe		
20	VOE471595	1							•Connector		
21	VOE980786	1							•Fitting		
22	VOE471588	1							Connector		
23	VOE980786	1							Fitting		
24	VOE1545433	1							Clamp		
25	VOE946440	1							Flange screw		
26	VOE13945408	1							Nut		
	VOE420996	1							Oil feed pipe		
27	VOE471594	1					SS		•Pipe		
28	VOE471595	1							•Connector		
29	VOE980786	1							•Fitting		
30	VOE471746	1							•Clamp		
31	VOE946440	2							Flange screw		
32	VOE477437	6							Nozzle		
33	VOE466874	6							Sealing ring		
34	VOE471596	6							Stud		
35	VOE13948570	6							Lock nut		

Date: 2014/2/27	Image id: EE210	Catalogue: 97812	Model: L120D
Brand: Volvo	Serial: 14001-15418, 63001-63291, 70501-70615	Group/Section: 221/150	Title: Oil pump



Pos	Part	Q1	Q2	Q3	Q4	Q5	PS	Kit	Description	Option(s)	Remark
	VOE864760	1							Oil pump		
1	VOE471572	1					NS		•Bracket		
2	VOE470347	2						K	••Bushing		
3	VOE191171	1							•Pin		
4	VOE471942	1							•Drive Gear		
	VOE471585	1					NS		••Idler gear		
	VOE471585	1					NS		••Bushing		
5	VOE420048	1							•Bearing sleeve		
6	VOE471586	1							•Screw		
7	VOE471941	1							•Drive Gear		
8	VOE470345	1					NS		•Oil pump housing		
9	VOE470347	2						K	••Bushing		
10	VOE401146	2							•Guide sleeve		
11	VOE478651	1					NS	K	•Drive shaft		
12	VOE478650	1					NS	K	•Idler shaft		
13	VOE13965183	2							•Flange screw		
	VOE276156	1							Repair kit		

Date: 2014/2/27	Image id: EE215	Catalogue: 97812	Model: L120D
Brand: Volvo	Serial: 14001-15418, 63001-63291, 70501-70615	Group/Section: 222/100	Title: Oil filter

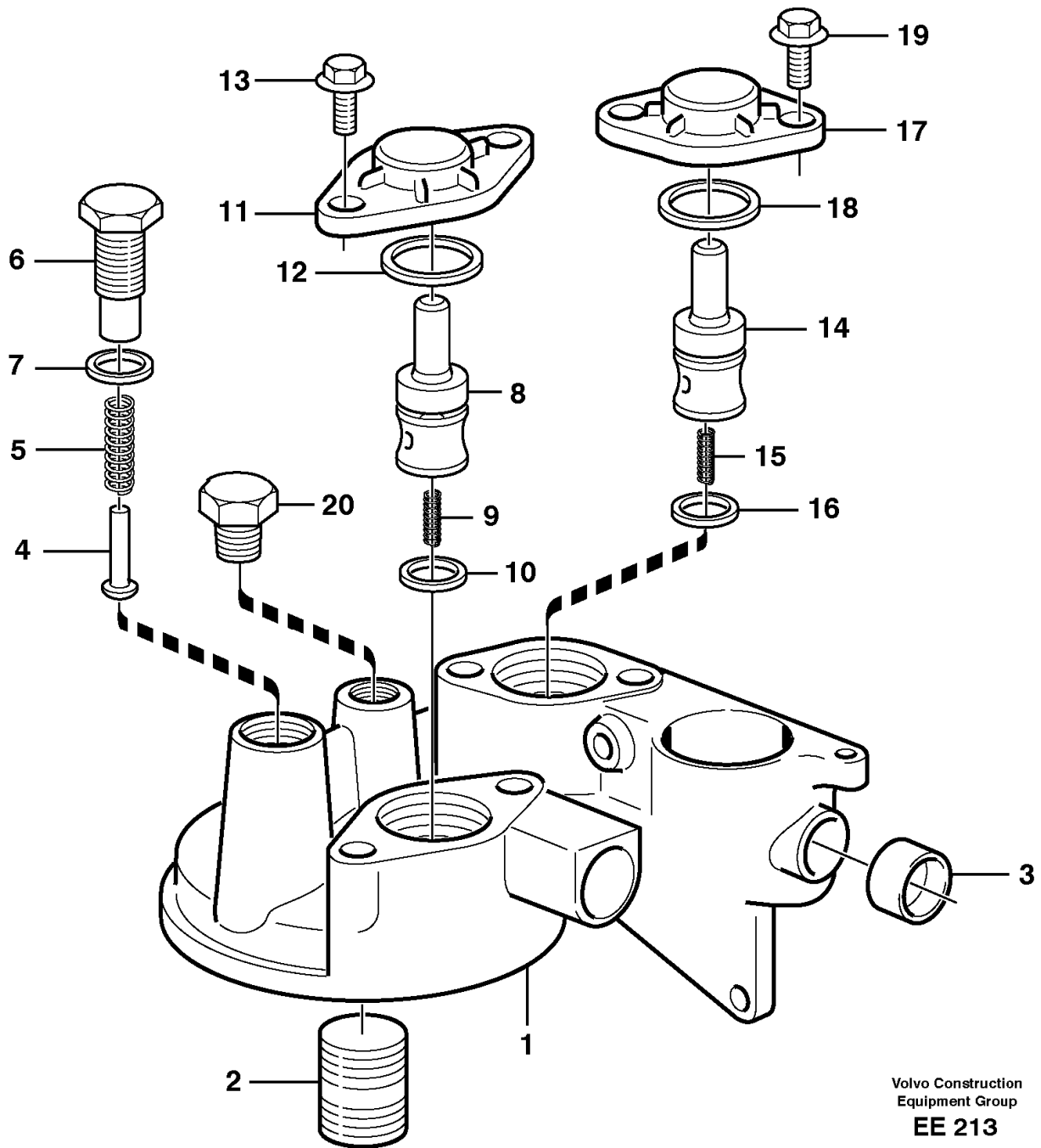


Volvo Construction
Equipment Group
EE 215

Pos	Part	Q1	Q2	Q3	Q4	Q5	PS	Kit	Description	Option(s)	Remark
1	VOE11030594	1							Housing		
2	VOE13966145	2							Plug		
3	VOE13947627	2							Plane Gasket		
4	VOE466623	1							Nipple		
5	VOE466634	1							Oil Filter		
	VOE478736	1							Oil Filter		Long life filter
6	VOE946329	3							Flange screw		
7	VOE941908	3							Spring Washer		
8		1							Oil feed pipe		See ref 255/100
9	VOE11030595	1							Pipe		
10	VOE11030598	1							Pipe		
11	VOE471956	4							Sealing ring		
12	VOE11030597	1							Nipple		

13	VOE13947625	1							Plane Gasket		
14		1							Housing		See ref 222/150
15	VOE3812509	1							Casing		(VOE848431)
16	VOE13948981	1							O-ring		
17	VOE13949656	2							O-ring		
18	VOE13949722	1							O-ring		
19	VOE946329	2							Flange screw		L = 25 MM
	VOE13965222	1							Screw		L = 65 MM
20	VOE941908	1							Spring Washer		
21	VOE471602	1							Pipe		
22	VOE471956	2							Sealing ring		
23		1							Housing		See ref 222/200

Date: 2014/2/27	Image id: EE213	Catalogue: 97812	Model: L120D
Brand: Volvo	Serial: 14001-15418, 63001-63291, 70501-70615	Group/Section: 222/150	Title: Housing, oil filter

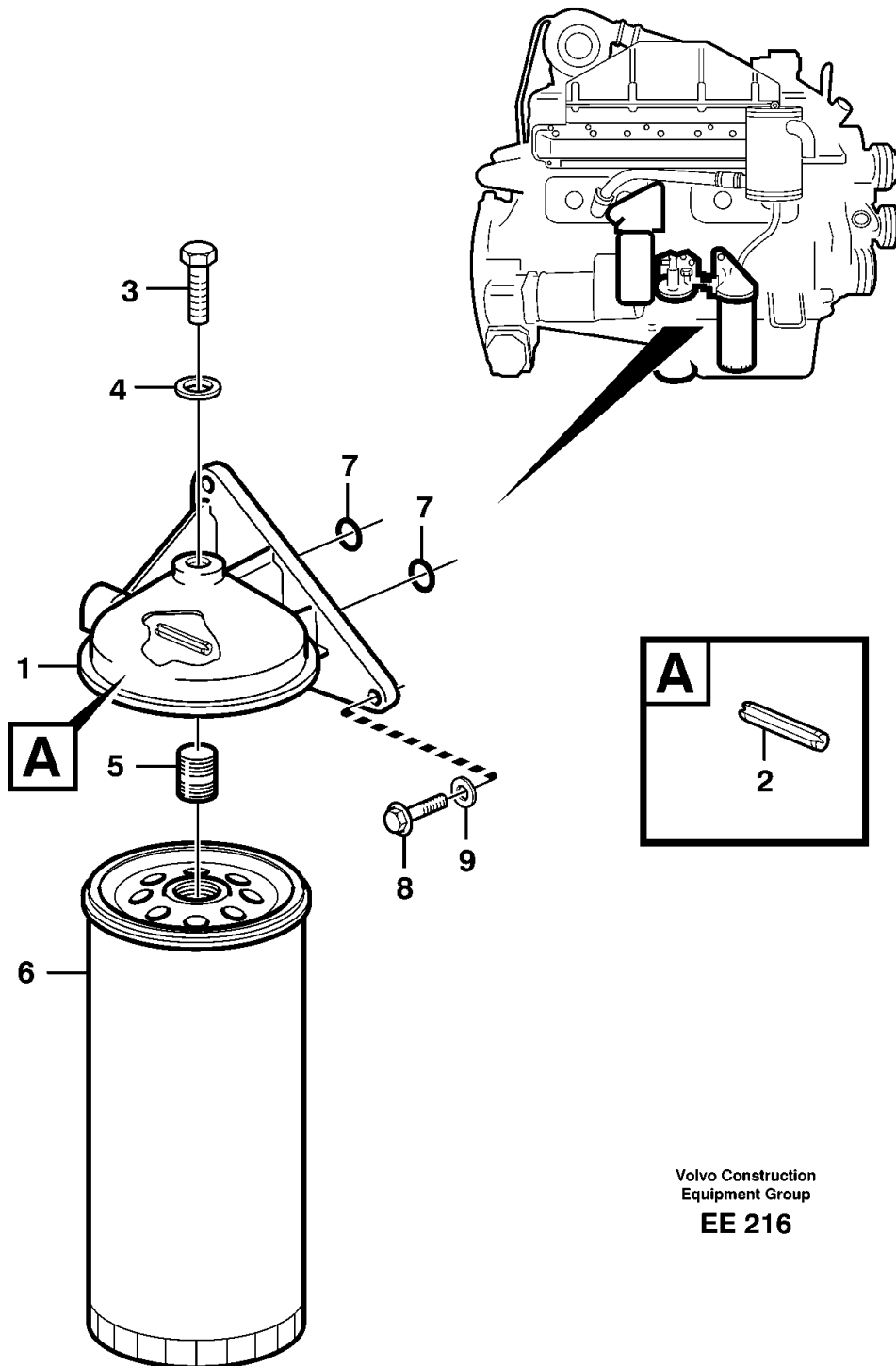


Volvo Construction
Equipment Group
EE 213

Pos	Part	Q1	Q2	Q3	Q4	Q5	PS	Kit	Description	Option(s)	Remark
-----	------	----	----	----	----	----	----	-----	-------------	-----------	--------

	VOE11030601	1							Housing		
1	VOE11030600	1					NS		•Housing		
2	VOE11030599	1							••Nipple		
3	VOE13948811	1							••Cap plug		
4	VOE471085	1							•Valve cone		
5	VOE466653	1							•Compression spring		
6	VOE471598	1							•Plug		
7	VOE13947627	1							•Plane gasket		
8	VOE471646	1							•Piston cooling valve		
9	VOE471775	1							••Compression spring		
10	VOE469846	1							•Sealing ring		
11	VOE471648	1							•Cover		
12	VOE949659	1							•O-ring		
13	VOE13946544	2							•Screw		
14	VOE471706	1							•Reduction valve		
15	VOE469332	1							••Compression spring		
16	VOE469846	1							•Sealing ring		
17	VOE471648	1							•Cover		
18	VOE949659	1							•O-ring		
19	VOE13946544	2							•Screw		
20	VOE479979	1							•Plug		

Date: 2014/2/27	Image id: EE216	Catalogue: 97812	Model: L120D
Brand: Volvo	Serial: 14001-15418, 63001-63291, 70501-70615	Group/Section: 222/200	Title: Oil filter by pass



Volvo Construction
Equipment Group
EE 216

Pos	Part	Q1	Q2	Q3	Q4	Q5	PS	Kit	Description	Option(s)	Remark
-----	------	----	----	----	----	----	----	-----	-------------	-----------	--------

Thank you so much for reading.
Please click the “Buy Now!”
button below to download the
complete manual.



After you pay.

You can download the most
perfect and complete manual in
the world immediately.

Our support email:

ebooklibonline@outlook.com