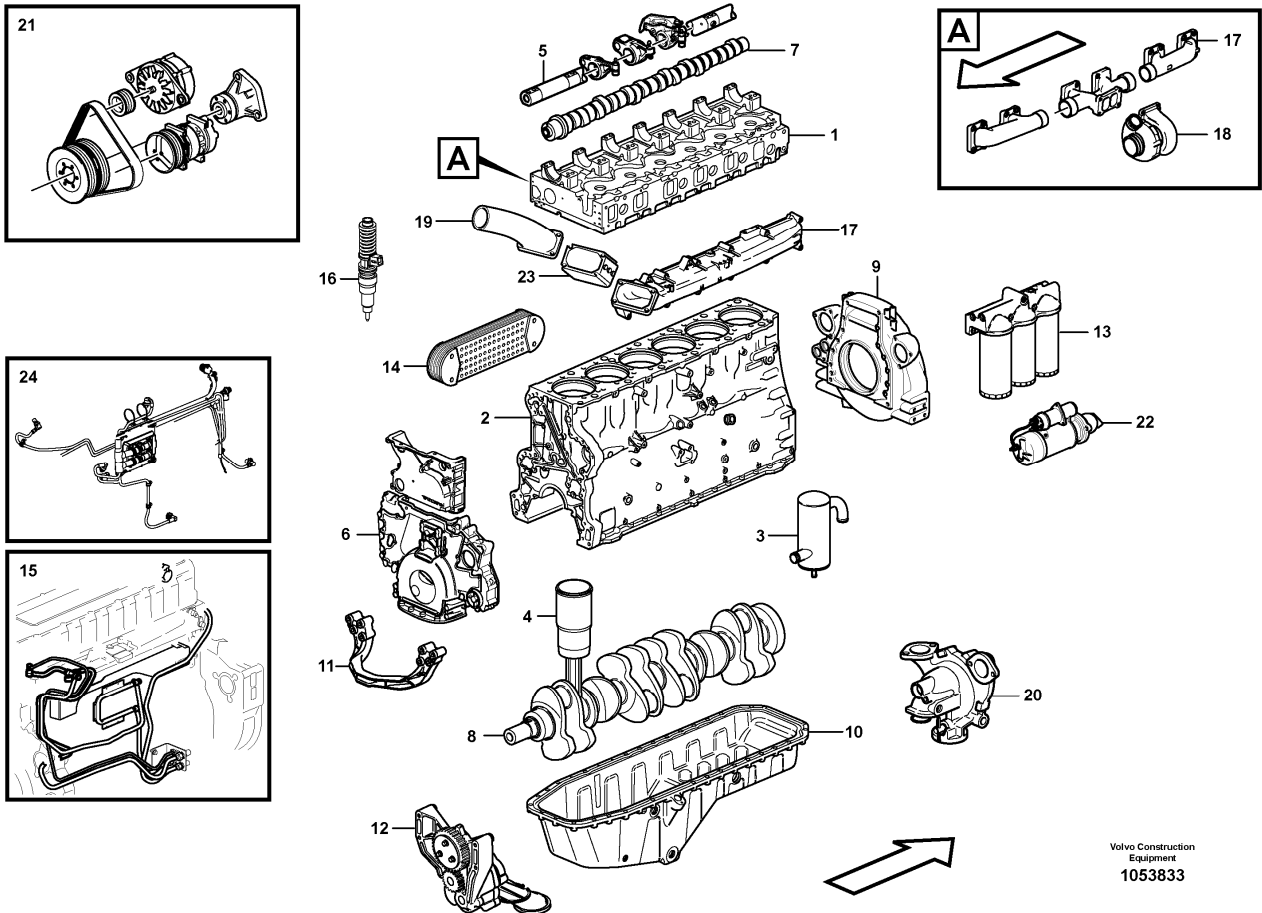


Date: 2014/3/12	Image id: 1053833	Catalogue: 20110	Model: L180F HL
Brand: Volvo	Serial: 11004-15577	Group/Section: 210/150	Title: Engine



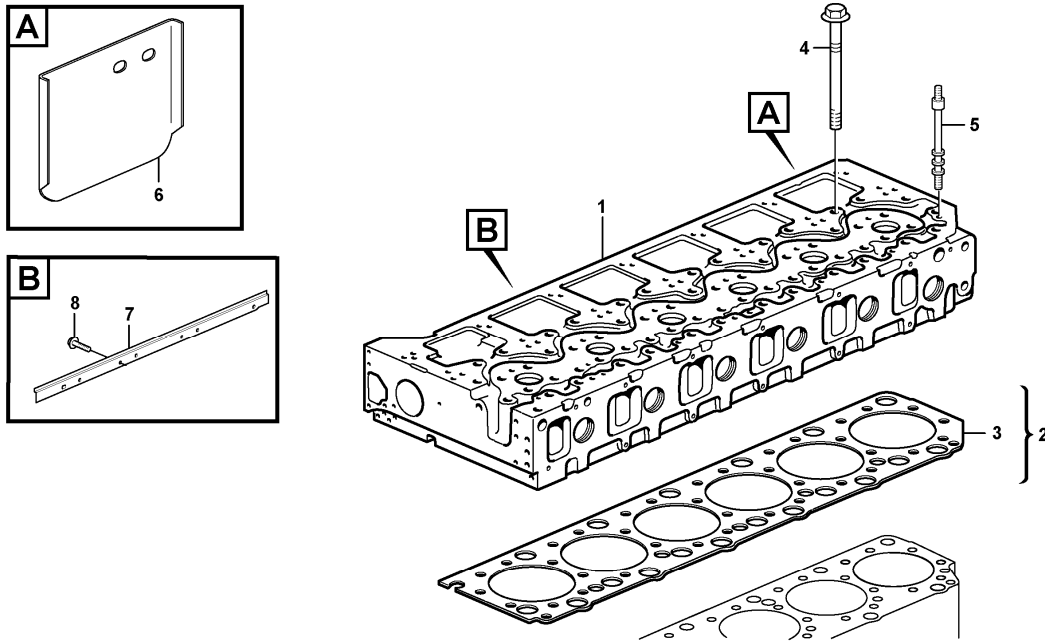
Section option	Kit	Option description
VOE8188740		Engine D12DLAE3
VOE8188743		Engine D12D-B
VOE8188765		Engine D12D-K
VOE8188771		Engine D12D-L
VOE85086		Transmission
VOE85087		Transmission L180F / L180F HL, LOCK UP

Q1-Q5	Option	Option description	
Q1 8188740	VOE8188740	Engine D12DLAE3	
Q2 8188743	VOE8188743	Engine D12D-B	
Q3 8188771	VOE8188771	Engine D12D-L	
Q4 8188765	VOE8188765	Engine D12D-K	

Pos	Part	Q1	Q2	Q3	Q4	Q5	PS	Kit	Description	Option(s)	Remark
	VOE8188740	1					SS		Engine		S/N - 11269

										D12DLAE3	
	VOE8188743		1						Engine		S/N 11270 - 11726 D12D-B
	VOE8188771			1					Engine		S/N 11727 - 12568 D12D-L
	VOE8188771			1					Engine	VOE85086	S/N 12569 - D12D-L
	VOE8188765				1				Engine	VOE85087	. D12D-K
1		1	1	1	1				•Cylinder head		See ref 211/100
2		1	1	1	1				•Cylinder block		See ref 212/100
3		1	1	1	1				•Crankcase Venti		See ref 212/200
4		6	6	6	6				•Cylinder liner,piston		See ref 213/100
5		1	1	1	1				•Valve mechanism		See ref 214/100
6		1	1	1	1				•Timing gear casing		See ref 215/100
7		1	1	1	1				•Camshaft		See ref 215/200
8		1	1	1	1				•Crankshaft		See ref 216/100
9		1	1	1	1				•Flywheel Hsg		See ref 216/150
10		1	1						•Oil sump		See ref 217/100
10				1	1				•Oil sump		See ref 217/150
11		1	1	1	1				•Engine mounting		See ref 218/100
12		1	1	1	1				•Lubricating system		See ref 221/100
13		1	1	1	1				•Oil filter		See ref 222/100
14		1	1	1	1				•Oil cooler		See ref 223/100
15		1	1	1	1				•Fuel system		See ref 235/200
16		1	1	1	1				•Injector		See ref 237/100
17		1	1	1	1				•Inlet, exhaust syst.		See ref 251/100
18		1	1	1	1				•Turbocharger		See ref 255/100
19		1	1	1	1				•Charge air cooler		See ref 258/100
20		1	1	1	1				•Thermostat Housing		See ref 262/100
21		1	1	1	1				•Belt transmission		See ref 263/400
22		1	1	1	1				•Starter Motor		See ref 331/100
23		1	1	1	1				•Starter Element		See ref 333/100
24		1	1	1	1				•Cable harness		See ref 371/300

Date: 2014/3/12	Image id: 1053110	Catalogue: 20110	Model: L180F HL
Brand: Volvo	Serial: 11004-15577	Group/Section: 211/100	Title: Cylinder head with fitting parts



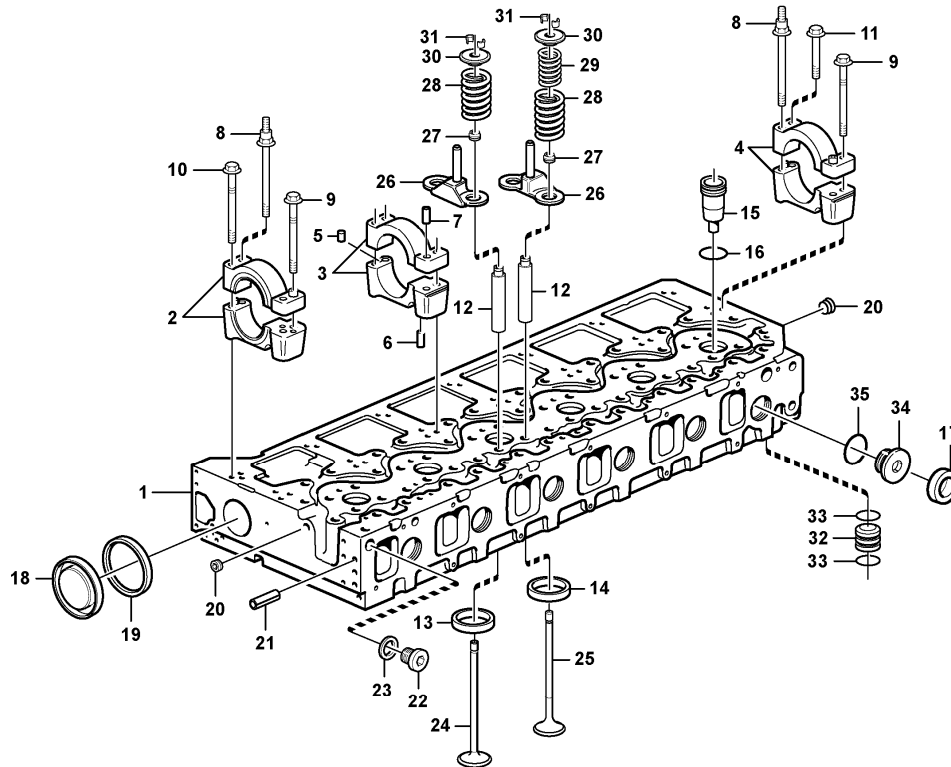
Volvo Construction
Equipment
1053110

Section option	Kit	Option description
VOE8188740		Engine D12DLAE3
VOE8188743		Engine D12D-B
VOE8188765		Engine D12D-K
VOE8188771		Engine D12D-L

Pos	Part	Q1	Q2	Q3	Q4	Q5	PS	Kit	Description	Option(s)	Remark
1		1							Cylinder head		E PROD See ref 211/150 L PROD See ref 211/200
2	VOE3099100	1							Gasket kit		
3	VOE20412953	1							•Gasket		
4	VOE1547419	38							Screw		ENG - 649456
	VOE21345131	38							Screw		ENG 649457 -
5	VOE8148863	9							Stud		ENG - 651827

	VOE21344784	9							Stud		ENG 651828 -
6	VOE11127534	1							Bracket		ENG - 620728
7	VOE20566300	1					OP		Heat shield		
8	VOE946441	3							Flange screw		L = 20 MM

Date: 2014/3/12	Image id: 1035442	Catalogue: 20110	Model: L180F HL
Brand: Volvo	Serial: 11004-15577	Group/Section: 211/150	Title: Cylinder head E PROD



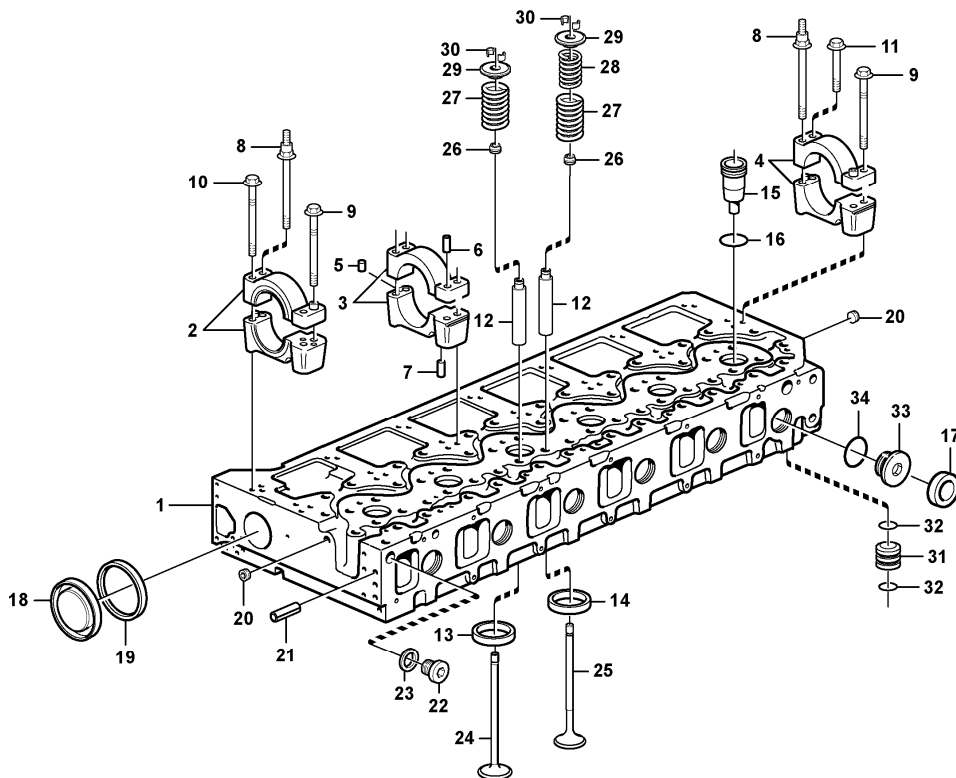
Volvo Construction
Equipment
1035442

Section option	Kit	Option description
VOE8188740		Engine D12DLAE3
VOE8188743		Engine D12D-B
VOE8188765		Engine D12D-K
VOE8188771		Engine D12D-L

Pos	Part	Q1	Q2	Q3	Q4	Q5	PS	Kit	Description	Option(s)	Remark
	VOE20560799	1					SS		Cylinder head		
	VOE24426421	1					SE		•Cylinder head		
1	VOE20478371	1					OP		••Cylinder head		
2	VOE3165130	1							••Bearing housing		
3	VOE3165133	5							••Bearing housing		
4	VOE3165136	1							••Bearing housing		
5	VOE950542	7							•••Pin		
6	VOE1677189	7					NS		•••Sleeve		
7	VOE950562	14							••Pin		

8	VOE21344812	7							••Stud		
9	VOE21344776	14							••Screw		L = 127 mm
10	VOE21344752	1							••Screw		
11	VOE1677283	6							••Screw		
12	VOE20817648	24							••Valve guide		(VOE20460636)
13	VOE20459329	12							••Valve seat		INLET
14	VOE20412798	12							••Valve seat		EXHAUST
15	VOE3183368	6							••Sleeve		
16	VOE20536487	6							••O-ring		
17	VOE8131707	11							••Cap plug		
18	VOE8170553	1							••Cap plug		
19	VOE1544710	1							•Sealing ring		
20	VOE13968062	2							•Plug		
21	VOE422426	1							•Pin		
22	VOE20441335	1							•Plug		
23	VOE13947281	1							•Gasket		
24	VOE20459326	12							•Inlet valve		
25	VOE20441486	12							•Exhaust Valve		
26	VOE1677963	6							•Guide pin		
27	VOE859171	24							•Valve seal		
28	VOE21310068	24							•Valve spring		
29	VOE3183211	12							•Valve spring		
30	VOE1546487	24							•Valve spring washer		
31	VOE1677875	48							•Valve sleeve		
32	VOE20463179	1							•Adapter		
33	VOE13949721	2							•O-ring		
	VOE3165025	1					NS		•Plug		
34	VOE3155171	1							••Plug		
35	VOE949659	2							••O-ring		

Date: 2014/3/12	Image id: 1031935	Catalogue: 20110	Model: L180F HL
Brand: Volvo	Serial: 11004-15577	Group/Section: 211/200	Title: Cylinder head L PROD



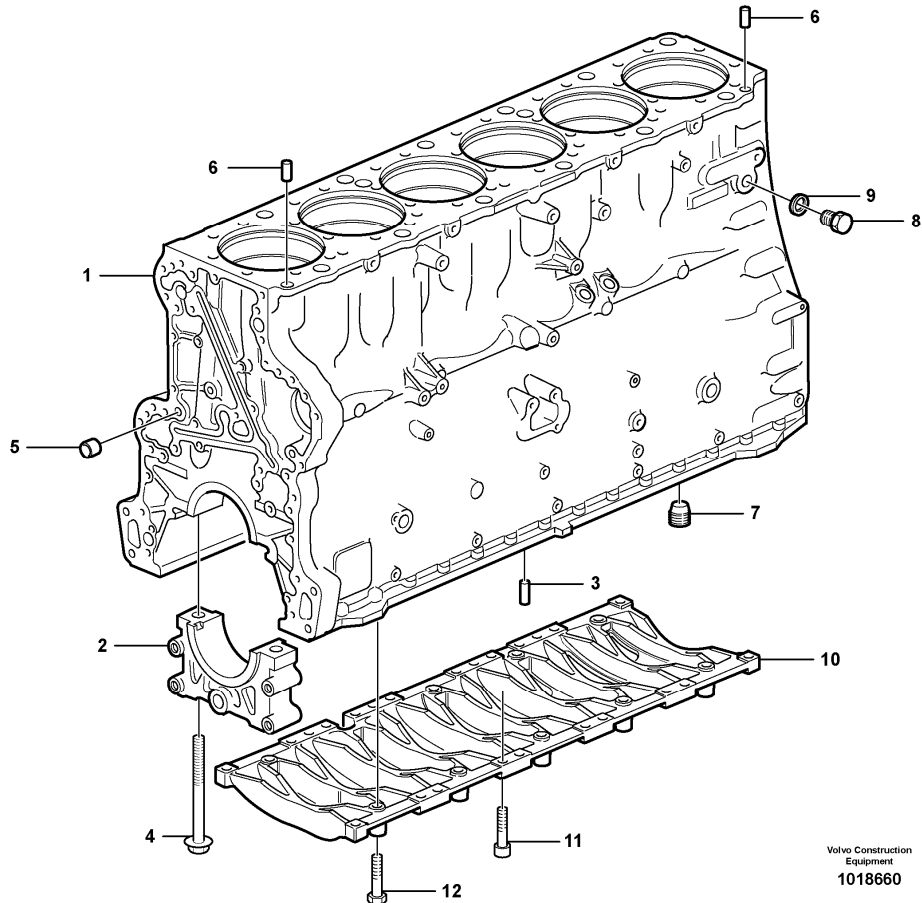
Volvo Construction
Equipment
1031935

Section option	Kit	Option description
VOE8188740		Engine D12DLAE3
VOE8188743		Engine D12D-B
VOE8188765		Engine D12D-K
VOE8188771		Engine D12D-L

Pos	Part	Q1	Q2	Q3	Q4	Q5	PS	Kit	Description	Option(s)	Remark
	VOE21086450	1							Cylinder head		
	VOE24426421	1					SE		•Cylinder head		
1	VOE20478371	1					OP		••Cylinder head		
2	VOE3165130	1							••Bearing housing		
3	VOE3165133	5							••Bearing housing		
4	VOE3165136	1							••Bearing housing		
5	VOE950542	7							•••Pin		
6	VOE1677189	7							•••Sleeve		
7	VOE950562	14							••Pin		

8	VOE21344812	7							••Stud		
9	VOE21344776	14							••Screw		L = 127 mm
10	VOE21344752	1							••Screw		L = 106 MM
11	VOE1677283	6							••Screw		L = 70 MM
12	VOE20817648	24							••Valve guide		
13	VOE20459329	12							••Valve seat		INLET
14	VOE20412798	12							••Valve seat		EXHAUST
15	VOE3183368	6							••Sleeve		
16	VOE20536487	6							••O-ring		
17	VOE8131707	11							••Cap plug		
18	VOE8170553	1							••Cap plug		
19	VOE1544710	1							•Sealing ring		
20	VOE990830	2							•Plug		
21	VOE422426	1							•Pin		
22	VOE20441335	1							•Plug		
23	VOE13947281	1							•Gasket		
24	VOE20459326	12							•Inlet valve		
25	VOE20441486	12							•Exhaust Valve		
26	VOE859171	24							•Valve seal		ENG - 660580
26	VOE21501189	24							•Valve stem seal		ENG 660581 -
27	VOE21310068	24							•Valve spring		
28	VOE3183211	12							•Valve spring		
29	VOE1546487	24							•Valve spring washer		
30	VOE1677875	48							•Valve sleeve		
31	VOE20463179	1							•Adapter		
32	VOE13949721	2							•O-ring		
	VOE3165025	1					NS		•Plug		
33	VOE3155171	1							••Plug		
34	VOE949659	1							••O-ring		

Date: 2014/3/12	Image id: 1018660	Catalogue: 20110	Model: L180F HL
Brand: Volvo	Serial: 11004-15577	Group/Section: 212/100	Title: Cylinder block



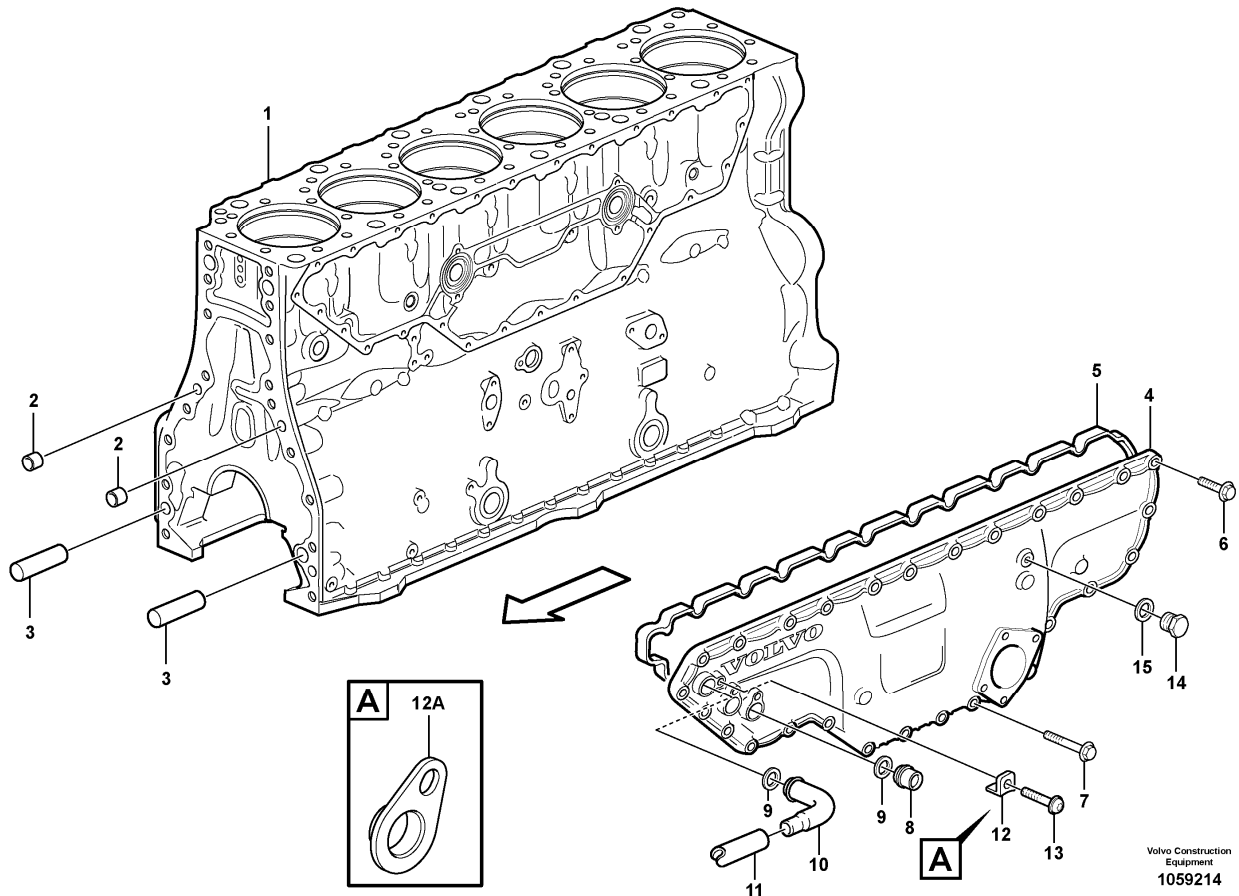
Volvo Construction
Equipment
1018660

Section option	Kit	Option description
VOE8188740		Engine D12DLAE3
VOE8188743		Engine D12D-B
VOE8188765		Engine D12D-K
VOE8188771		Engine D12D-L

Pos	Part	Q1	Q2	Q3	Q4	Q5	PS	Kit	Description	Option(s)	Remark
	VOE8130120	1					SS		Cylinder block		
1	VOE8130121	1					NS		•Cylinder Block		
2		7					NS		•Cap		
3	VOE422426	1							•Pin		
4	VOE21345129	14							•Screw		
5	VOE981735	1							Cap plug		
6	VOE8170389	2							Guide sleeve		
7	VOE8170666	1							Plug		
8	VOE13960634	1							Plug		

9	VOE13947627	1							Plane gasket		
10	VOE20397778	1							Frame		
11	VOE973523	24							Allen Hd Screw		
12	VOE13965187	8							Screw		L = 60 MM

Date: 2014/3/12	Image id: 1059214	Catalogue: 20110	Model: L180F HL
Brand: Volvo	Serial: 11004-15577	Group/Section: 212/150	Title: Cylinder block



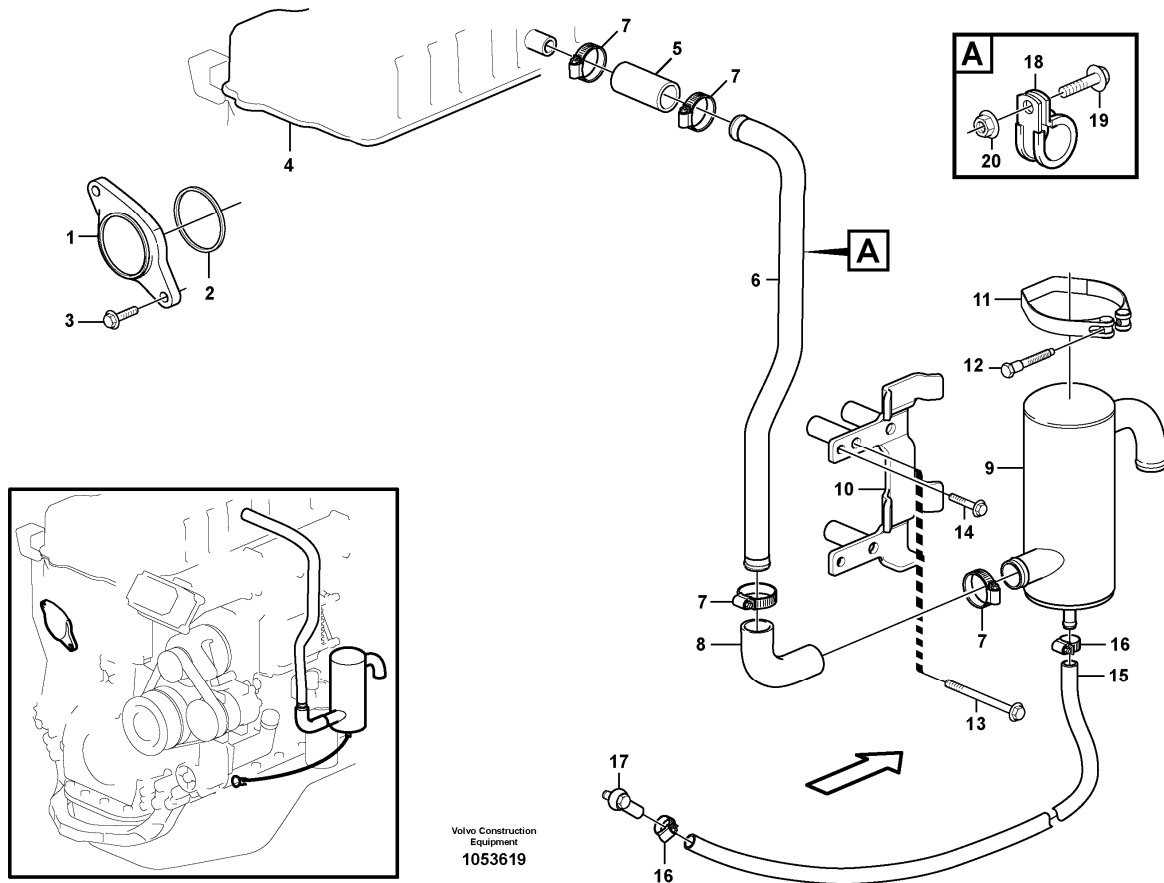
Volvo Construction
Equipment
1059214

Section option	Kit	Option description
VOE8188740		Engine D12DLAE3
VOE8188743		Engine D12D-B
VOE8188765		Engine D12D-K
VOE8188771		Engine D12D-L

Pos	Part	Q1	Q2	Q3	Q4	Q5	PS	Kit	Description	Option(s)	Remark
1		1							Cylinder block		See ref 212/100
2	VOE981735	2							Cap plug		
3	VOE8170389	2							Guide sleeve		
4	VOE20538056	1							Casing		
5	VOE20712545	1							Seal		
6	VOE13945444	20							Screw		
7	VOE13965180	7							Screw		
8	VOE1546528	1							Plug		ENG - 658198
9	VOE1547252	2							Sealing ring		

10	VOE11127377	1							Tube		
11		1							Hose		See ref 873/100
12	VOE1546532	2							Lock		ENG - 643971
	VOE1546532	1							Lock		ENG 643972 -
12A	VOE20718731	1							Yoke		ENG 643972 -
13	VOE13972542	2							Six point socket screw		
14	VOE960631	1							Plug		
15	VOE7011996	1							Gasket		

Date: 2014/3/12	Image id: 1053619	Catalogue: 20110	Model: L180F HL
Brand: Volvo	Serial: 11004-15577	Group/Section: 212/200	Title: Crankcase ventilation

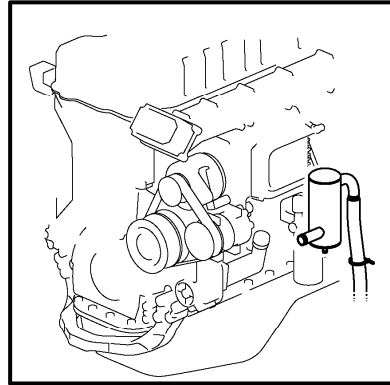
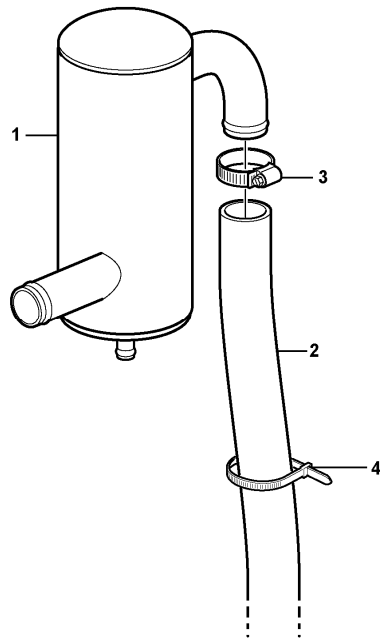


Section option	Kit	Option description
VOE8188740		Engine D12DLAE3
VOE8188743		Engine D12D-B
VOE8188765		Engine D12D-K
VOE8188771		Engine D12D-L

Pos	Part	Q1	Q2	Q3	Q4	Q5	PS	Kit	Description	Option(s)	Remark
1	VOE20700315	1							Plug		
2	VOE3165097	1							Sealing ring		
3	VOE13945444	2							Screw		
4		1							Valve Cover		See ref 214/100
5	VOE11128750	1							Hose		L = 90 MM
6	VOE11423651	1							Pipe		ENG - 622227
6	VOE11423802	1							Pipe		ENG 622228 -
7	VOE943476	4							Hose clamp		ENG - 654902
7	VOE994560	4							Hose clamp		ENG 654903 -

8	VOE11128756	1							Hose		
9	VOE11033878	1							Oil trap		
10	VOE11423146	1							Attachment		
11	VOE420914	1							Tensioning Band		
12	VOE1545257	1							Screw		
13	VOE13965188	3							Screw		
14	VOE946440	2							Flange screw		
15	VOE983342	REQ							Hose		L = 520 MM
16	VOE943471	2							Hose clamp		ENG - 654902
16	VOE994556	2							Hose clamp		ENG 654903 -
17		1							Nipple		See ref 217/200
											See ref 217/250
18	VOE952638	1							Clamp		
19	VOE946934	1							Flange screw		
20	VOE949278	1							Flange lock nut		

Date: 2014/3/12	Image id: 1018618	Catalogue: 20110	Model: L180F HL
Brand: Volvo	Serial: 11004-15577	Group/Section: 212/250	Title: Crankcase ventilation.

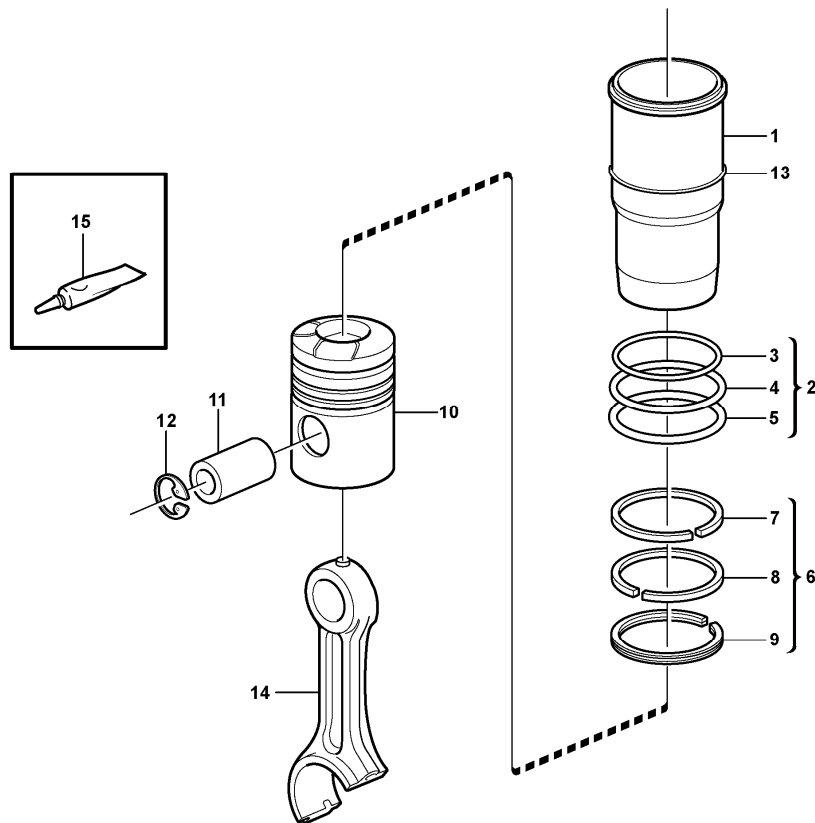


Volvo Construction
Equipment
1018618

Section option	Kit	Option description
VOE33843		Wheel Loader L180F HL

Pos	Part	Q1	Q2	Q3	Q4	Q5	PS	Kit	Description	Option(s)	Remark
1		1							Oil Trap		See ref 212/200
2	VOE13942707	REQ							Hose		L = 950 MM
3	VOE943476	1							Hose clamp		ENG - 654902
3	VOE993963	1							Hose clamp		ENG 654903 -
4	VOE11104606	1							Retaining strap		

Date: 2014/3/12	Image id: 1035153	Catalogue: 20110	Model: L180F HL
Brand: Volvo	Serial: 11004-15577	Group/Section: 213/100	Title: Cylinder liner and piston



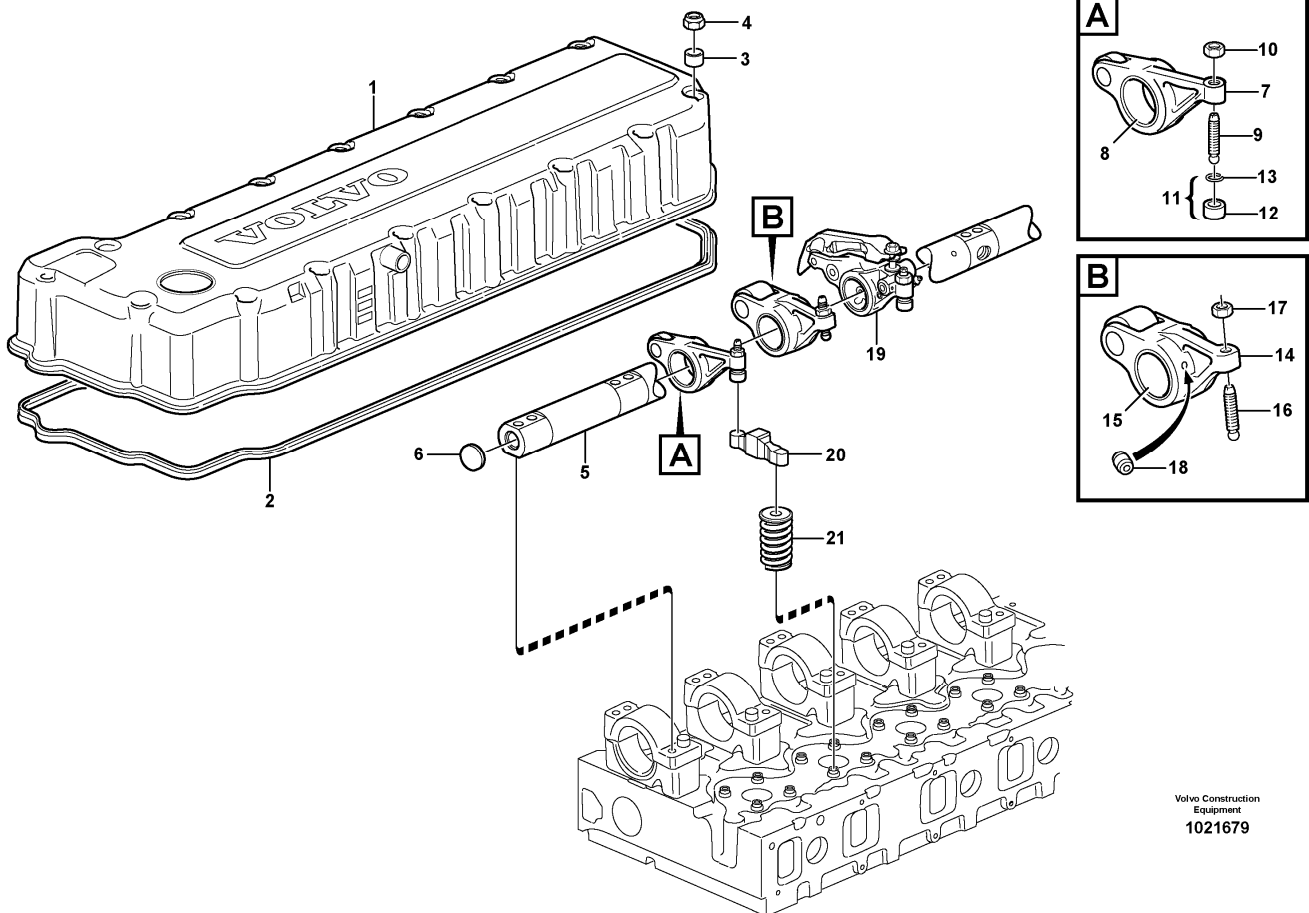
Volvo Construction
Equipment
1035153

Section option	Kit	Option description
VOE8188740		Engine D12DLAE3
VOE8188743		Engine D12D-B
VOE8188765		Engine D12D-K
VOE8188771		Engine D12D-L

Pos	Part	Q1	Q2	Q3	Q4	Q5	PS	Kit	Description	Option(s)	Remark
	VOE20820358	6							Cylinder		
1	VOE20451502	6					NS		•Cylinder Liner		
2	VOE270950	6							•Sealing kit		
3	VOE470922	6							••Seal Ring		UPPER
4	VOE470190	12					NS		••Sealing ring		CENT
5	VOE270950	6							••Sealing kit		LOW
6	VOE20820363	6							•Piston Ring Kit		
7	VOE20411224	6					OP		••Compression ring		UPPER
8	VOE20576259	6					OP		••Compression ring		LOW

9	VOE20505156	6					OP		••Oil scraper ring		
10	VOE20482587	6					OP		•Piston		
11	VOE3155115	6							•Gudgeon pin		
12	VOE914530	12							•Retaining ring		
13	VOE1677591	REQ							Shim		THICK = 0,2 MM
13	VOE1677592	REQ							Shim		THICK = 0,3 MM
13	VOE1677593	REQ							Shim		THICK = 0,5 MM
14		6							Connecting rod		See ref 216/100
15	VOE1161277	REQ							Sealant		20 GRAM
15	VOE11713514	REQ							Sealant		

Date: 2014/3/12	Image id: 1021679	Catalogue: 20110	Model: L180F HL
Brand: Volvo	Serial: 11004-15577	Group/Section: 214/100	Title: Valve mechanism



Section option	Kit	Option description
VOE8188740		Engine D12DLAE3
VOE8188743		Engine D12D-B
VOE8188765		Engine D12D-K
VOE8188771		Engine D12D-L

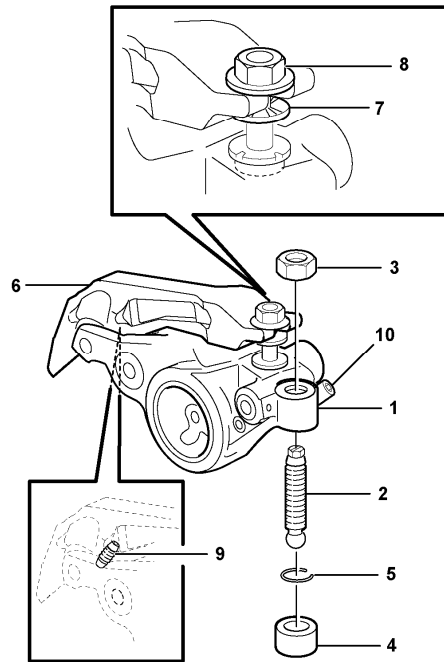
Q1-Q5	Option	Option description
Q1 ENG - 644714		
Q2 ENG 644715 -		

Pos	Part	Q1	Q2	Q3	Q4	Q5	PS	Kit	Description	Option(s)	Remark
1	VOE20545676	1	1						Valve Cover		
1	VOE20545673	1	1				NS		•Valve cover		
2	VOE21070576	1	1						Sealing strip		
3	VOE3964604	16	16						Bushing		
4	VOE8148488	16	16						Lock nut		

5	VOE8170158	1	1						Rocker arm shaft		
5	VOE8170159	1	1				OP		•Rocker arm shaft		
6	VOE980176	2	2						•Expansion plug		
7	VOE21024794	6	6						Rocker arm		INLET
7	VOE1546690	6	6				NS		•Rocker Arm		
8	VOE1546681	6	6						•Bushing		
	VOE1546046	6	6						•Bushing		See footnote 2624)
9	VOE1546458	6	6						•Ball stud		
10	VOE13946911	6	6						•Nut		
11	VOE21054149	6	6						•Ball socket		
12	VOE21054152	6	6				NS		••Ball Socket		
13	VOE944364	6	6						••O-ring		
14	VOE21023450	6							Rocker arm		INJECTOR
14	VOE21089229		6						Rocker arm		
14	VOE20381704	6	6				OP		•Rocker arm		
15	VOE3155127	6					SS		•Bushing		
	VOE1546685	6							•Bushing		See footnote 2624)
15	VOE51081469		6				NS		•Bushing		
16	VOE1546775	6	6						•Ball stud		
17	VOE1677396	6	6						•Hexagon nut		
18	VOE3964817	12	12						•Jet		
19		6	6						Rocker Arm		See ref 214/150
20	VOE3183207	12	12						Valve cap		
21		24	24						Valve spring		See ref 211/100

2624) Not Shown

Date: 2014/3/12	Image id: 1018621	Catalogue: 20110	Model: L180F HL
Brand: Volvo	Serial: 11004-15577	Group/Section: 214/150	Title: Rocker arm



Volvo Construction
Equipment
1018621

Section option	Kit	Option description
VOE8188740		Engine D12DLAE3
VOE8188743		Engine D12D-B
VOE8188765		Engine D12D-K
VOE8188771		Engine D12D-L

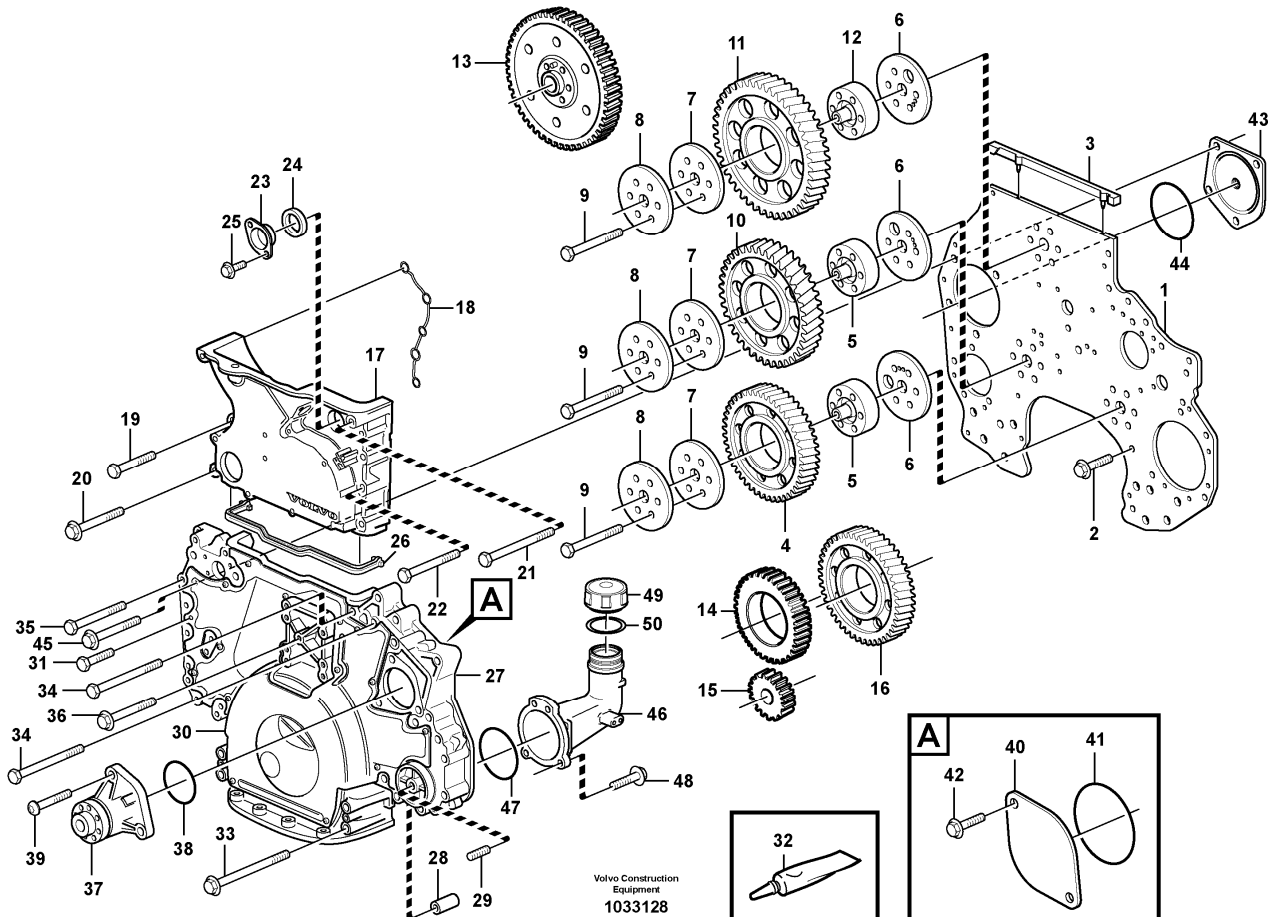
Q1-Q5	Option	Option description	
Q1 ENG - 646549			
Q2 ENG 646560 -			

Pos	Part	Q1	Q2	Q3	Q4	Q5	PS	Kit	Description	Option(s)	Remark
	VOE21243114	1							Rocker arm		(VOE21048998) EXHAUST
	VOE21243114		1						Rocker arm		
1	VOE21088680	1					NS		•Rocker Arm		
1	VOE21243110		1				NS		•Rocker Arm		

2	VOE1546458	1	1						•Ball stud		
3	VOE13946911	1	1						•Nut		
4	VOE20441753	1							•Ball socket		
4	VOE21054149		1						•Ball socket		
5	VOE944364	1	1						••O-ring		
6	VOE20525325	1					OP		•Rocker arm		
6	VOE21084235		1						•Rocker Arm		
7		1					NS		•Sleeve		
8	VOE20524958	1	1						•Nut		
9	VOE3964817	1							•Jet		
10	VOE20916960	1	1						•Nipple		
	VOE21084234	1	1						•Bushing		See footnote 2624)

2624) Not Shown

Date: 2014/3/12	Image id: 1033128	Catalogue: 20110	Model: L180F HL
Brand: Volvo	Serial: 11004-15577	Group/Section: 215/100	Title: Timing gear casing and gears

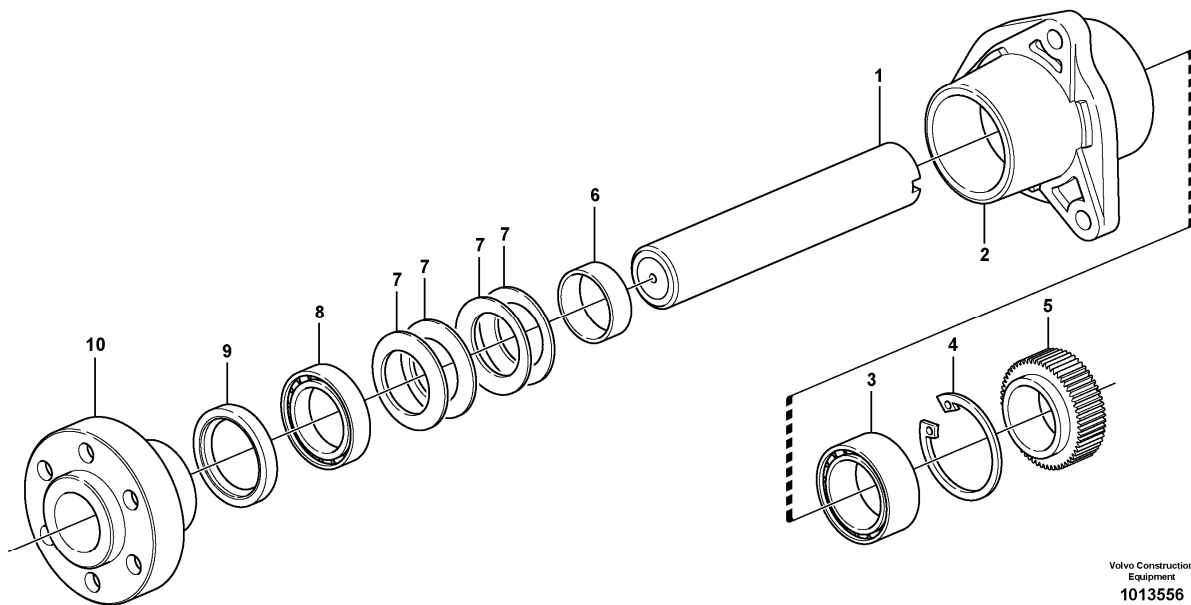


Section option	Kit	Option description
VOE8188740		Engine D12DLAE3
VOE8188743		Engine D12D-B
VOE8188765		Engine D12D-K
VOE8188771		Engine D12D-L

Pos	Part	Q1	Q2	Q3	Q4	Q5	PS	Kit	Description	Option(s)	Remark
1	VOE8170561	1							Xmsn Plate		
2	VOE946470	17							Flange screw		
3	VOE20489341	1							Gasket		
4	VOE8170193	1							Idler gear		
5	VOE8170219	2							Hub		
6	VOE8170220	3							Thrust washer		
7	VOE3184865	3							Thrust washer		
8	VOE3184868	3							Bearing shield		
9	VOE1547886	18							Screw		ENG - 650286

	VOE21344754	18							Screw		ENG 650287 -
10	VOE8170195	1							Idler gear		
11	VOE8170197	1							Idler gear		
12	VOE8170199	1							Hub		
13		1							Gear		See ref 215/200
14		1							Idler gear		See ref 221/200
15		1							Gear		See ref 221/200
16		1					NS		Gear		See ref 262/100
17	VOE20713791	1							Tmg Gear Cover		
18	VOE3830184	1							Sealing		
19	VOE13965182	3							Screw		L = 80 MM
20	VOE13965183	1							Flange screw		L = 90 MM
21	VOE13965190	1							Screw		L = 100 MM
22	VOE13965223	1							Screw		L = 75 MM
	VOE13947790	2							Screw		L = 80 MM
	VOE969225	1							Flange screw		L = 120 MM
23		1							Adapter		See ref 222/100
24	VOE20555696	1							Sealing ring		
25	VOE946440	2							Flange screw		
26	VOE20714247	1							Seg moulding		
	VOE8170227	1					NS		Timing gear cover		
	VOE3165064	1							•Timing gear cover		
27	VOE8170228	1					NS		••Tmg gear cover		
28	VOE1547940	2							••Pin		
29	VOE956022	1							••Thread insert		
30	VOE8170235	1							•Noise shield		
31	VOE13972542	16							•Six point socket screw		L = 14 MM
32	VOE11713514	REQ							Sealant		304 ML
	VOE1161277	REQ							Sealant		20 GRAM
33	VOE973096	4							Flange screw		L = 130 MM
34	VOE13947790	2							Screw		L = 80 MM
35	VOE955302	11							Hexagon screw		L = 60 MM
	VOE13965181	1							Screw		L = 70 MM
36	VOE13965183	1							Flange screw		L = 90 MM
37		1							Driving Device		See ref 215/150
38	VOE967344	1							O-ring		
39	VOE13946752	1							Screw		L = 35 MM
40	VOE3828400	1							Cover		
41	VOE967344	1							O-ring		
42	VOE946441	2							Flange screw		
43	VOE1556208	1							Cover		
44	VOE13948888	1							O-ring		
45	VOE946473	4							Flange screw		
46	VOE15000507	1							Oil filler pipe		
47	VOE13949736	1							O-ring		
48	VOE946473	4							Flange screw		

Date: 2014/3/12	Image id: 1013556	Catalogue: 20110	Model: L180F HL
Brand: Volvo	Serial: 11004-15577	Group/Section: 215/150	Title: Driving device



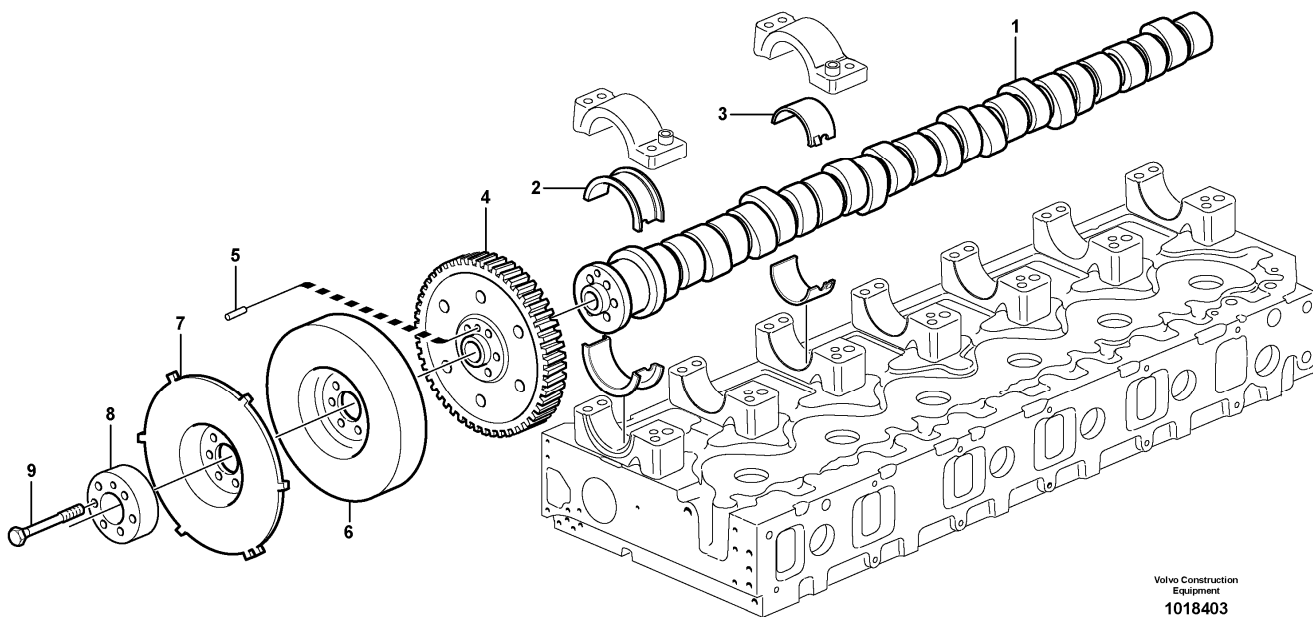
Volvo Construction
Equipment
1013556

Section option	Kit	Option description
VOE8188740		Engine D12DLAE3
VOE8188743		Engine D12D-B
VOE8188765		Engine D12D-K
VOE8188771		Engine D12D-L

Pos	Part	Q1	Q2	Q3	Q4	Q5	PS	Kit	Description	Option(s)	Remark
	VOE8193986	1							Driving device		
1	VOE8184821	1					NS		•Axle		
2	VOE8170667	1					OP		•Bearing housing		
3	VOE471499	1							•Ball bearing		
4	VOE914532	1							•Retaining ring		
5	VOE8170240	1					OP		•Gear		
6	VOE8193994	1							•Spacer sleeve		
7	VOE1677558	4					OP		•Disc spring		
8	VOE7011013	1							•Bearing		

9	VOE1546480	1							•Sealing ring		
10	VOE1547846	1					OP		•Hub		

Date: 2014/3/12	Image id: 1018403	Catalogue: 20110	Model: L180F HL
Brand: Volvo	Serial: 11004-15577	Group/Section: 215/200	Title: Camshaft



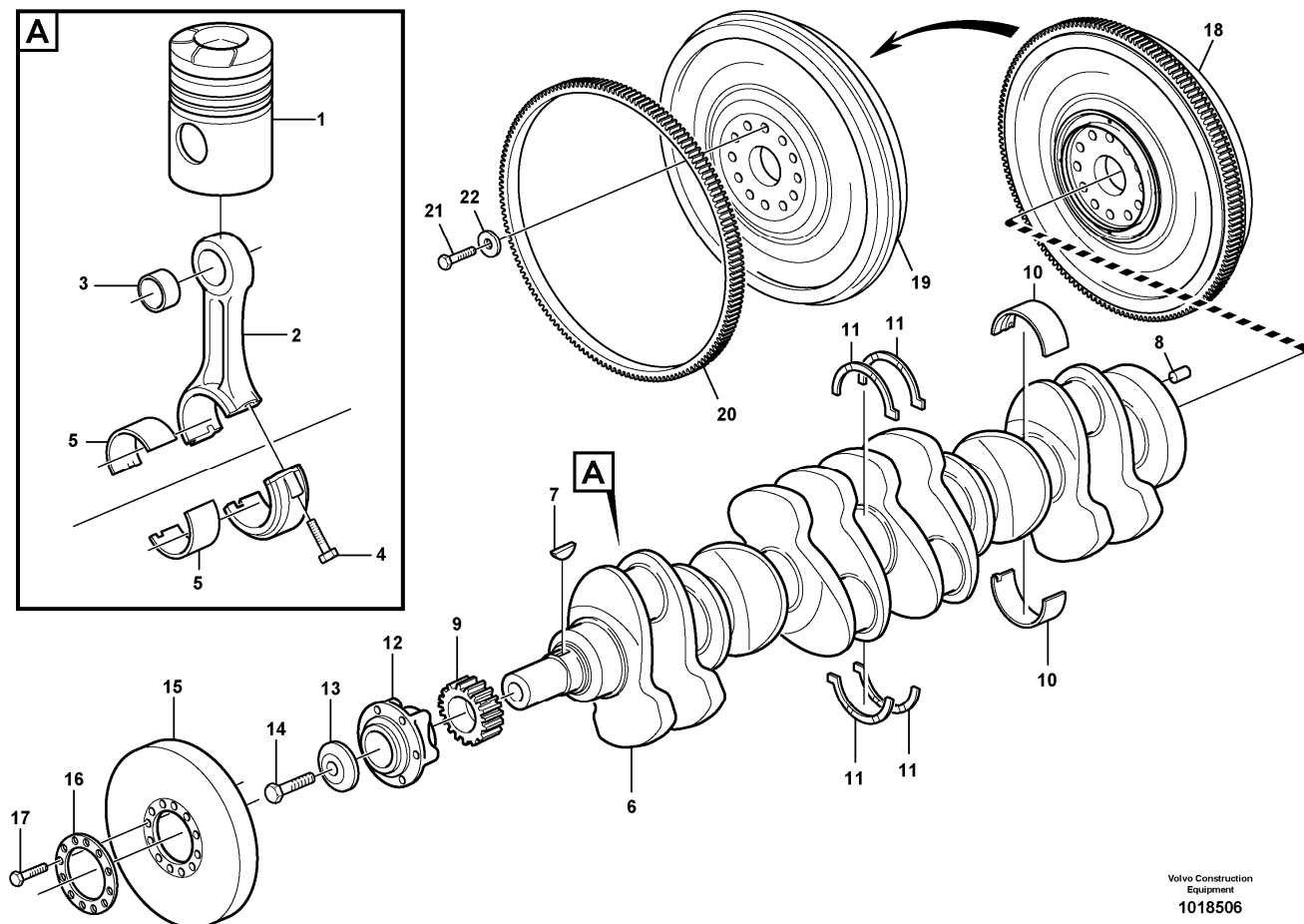
Volvo Construction
Equipment
1018403

Section option	Kit	Option description
VOE8188740		Engine D12DLAE3
VOE8188743		Engine D12D-B
VOE8188765		Engine D12D-K
VOE8188771		Engine D12D-L

Pos	Part	Q1	Q2	Q3	Q4	Q5	PS	Kit	Description	Option(s)	Remark
1	VOE20576909	1							Camshaft		
2	VOE20503200	1							Bearing shell kit		STD
	VOE20494259	2					SS		•Bearing Shell		
3	VOE276630	6							Bearing shell kit		STD
	VOE1677212	12							•Bearing Shell		
	VOE1677551	12							Bearing shell		0,25 U SZ
4	VOE20450344	1							Gear		
5	VOE950572	1							•Grooving tool		
6	VOE8170954	1							Vibration damper		

7	VOE3155166	1							Tooth Wheel		
8	VOE20440991	1							Spacer		
9	VOE20441079	6							Flange screw		ENG - 652109
	VOE21344765	6							Flange screw		ENG 652110 -

Date: 2014/3/12	Image id: 1018506	Catalogue: 20110	Model: L180F HL
Brand: Volvo	Serial: 11004-15577	Group/Section: 216/100	Title: Crankshaft and related parts



Volvo Construction
Equipment
1018506

Section option	Kit	Option description
VOE8188740		Engine D12DLAE3
VOE8188743		Engine D12D-B
VOE8188765		Engine D12D-K
VOE8188771		Engine D12D-L

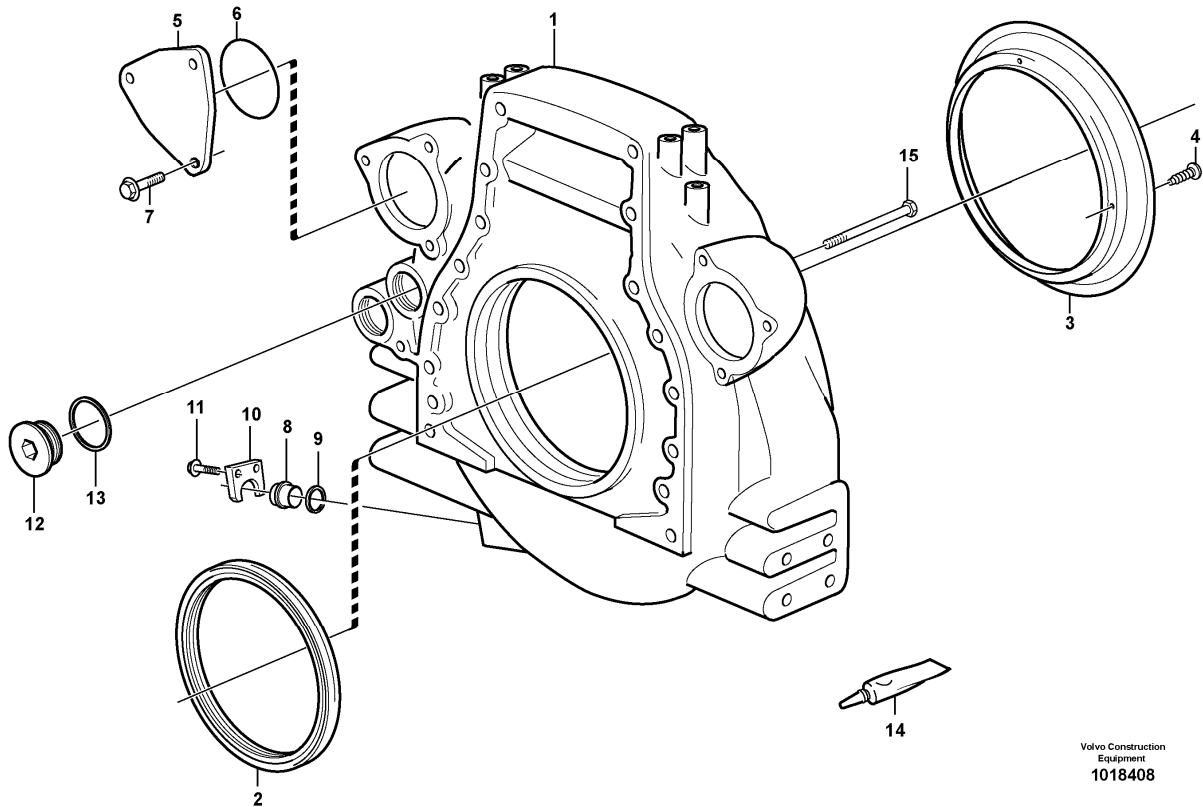
Q1-Q5	Option	Option description	
Q1 8188740	VOE8188740	Engine D12DLAE3	
Q2 8188743	VOE8188743	Engine D12D-B	
Q3 8188771	VOE8188771	Engine D12D-L	
Q4 8188765	VOE8188765	Engine D12D-K	

Pos	Part	Q1	Q2	Q3	Q4	Q5	PS	Kit	Description	Option(s)	Remark
1		6	6	6	6				Piston		See ref 213/100
	VOE20412200	6	6	6	6				Connecting rod		
2	VOE20412201	6	6	6	6		NS		•Connecting rod		

3	VOE20381185	6	6	6	6				•Bushing		
4	VOE1543035	12	12	12	12				•Screw		
5	VOE276134	REQ	REQ	REQ	REQ				Big End Brg Kit		STD
	VOE276135	REQ	REQ	REQ	REQ				Big End Brg Kit		0,25 MM U SZ
	VOE276136	REQ	REQ	REQ	REQ				Big End Brg Kit		0,50 MM U SZ
	VOE276137	REQ	REQ	REQ	REQ				Big End Brg Kit		0,75 MM U SZ
	VOE276334	REQ	REQ	REQ	REQ				Big End Brg Kit		1,00 MM U SZ
	VOE276349	REQ	REQ	REQ	REQ				Big End Brg Kit		1,25 MM U SZ
	VOE20533089	1	1	1	1				Crankshaft		See footnote 1)
6		1	1	1	1		NS		••Crankshaft		
7	VOE422253	1	1	1	1				••Key		
8	VOE950644	1	1	1	1				••Pin		
9	VOE8170192	1	1	1	1				Gear		
10	VOE20530916	7	7	7	7				Mn Bearing Kit		STD
	VOE20578624	7	7	7	7				Main Bearing		0,25 MM U SZ
	VOE20578625	7	7	7	7				Main Bearing		0,50 MM U SZ
	VOE20578626	7	7	7	7		OP		Main Bearing		0,75 MM U SZ
	VOE20578627	7	7	7	7				Main Bearing		1,00 MM U SZ
	VOE20578628	7	7	7	7				Main Bearing		1,25 MM U SZ
11	VOE3093651	1	1						Thrust washer kit		STD
	VOE3093651			1					Thrust washer kit		STD ENG - 648064
	VOE21267844			1	1				Thrust washer		STD ENG 648065 -
	VOE3093652	1	1	1					Thrust washer kit		0,1 MM U SZ
	VOE3093653	1	1	1					Thrust washer kit		0,2 MM U SZ
	VOE3093654	1	1	1					Thrust washer kit		0,3 MM U SZ
12	VOE11707317	1	1	1	1				Hub		(VOE1549407)
13	VOE422124	1	1	1	1				Washer		
14	VOE1543316	1	1	1	1				Screw		ENG - 658024
14	VOE21344750			1	1				Screw		ENG 658025 -
15	VOE8193930	1	1	1	1				Vibration damper		
16	VOE8193962	1	1	1	1				Washer		
17	VOE13970950	12	12	12	12				Hexagon screw		
18	VOE11127560	1	1	1					Flywheel		
18	VOE15091261				1				Flywheel		
19	VOE11127559	1	1	1			NS		•Flywheel		
20	VOE20711957	1	1	1					•Ring gear		
21	VOE1677893	14	14	14	14				Screw		
22	VOE1543563	14	14	14	14				Washer		

1) Replacement version

Date: 2014/3/12	Image id: 1018408	Catalogue: 20110	Model: L180F HL
Brand: Volvo	Serial: 11004-15577	Group/Section: 216/150	Title: Flywheel housing



Volvo Construction
Equipment
1018408

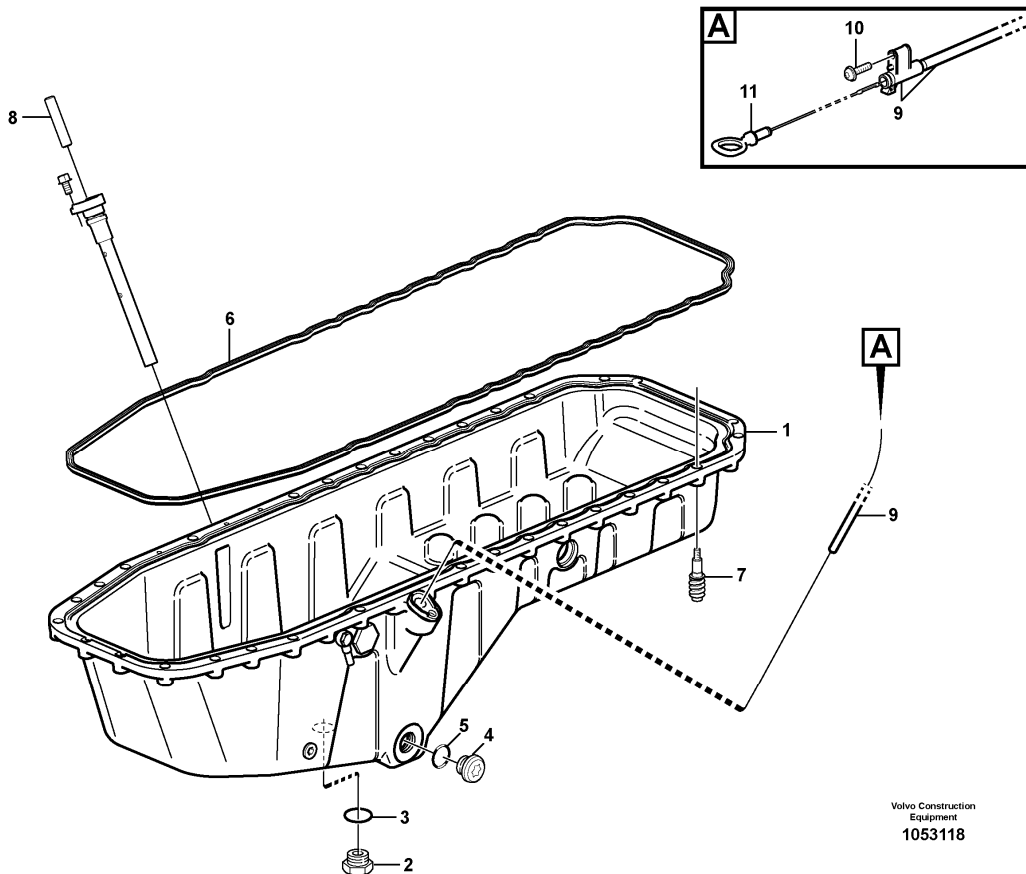
Section option	Kit	Option description
VOE8188740		Engine D12DLAE3
VOE8188743		Engine D12D-B
VOE8188765		Engine D12D-K
VOE8188771		Engine D12D-L

Q1-Q5	Option	Option description	
Q1 8188740	VOE8188740	Engine D12DLAE3	
Q2 8188743	VOE8188743	Engine D12D-B	
Q3 8188771	VOE8188771	Engine D12D-L	
Q4 8188765	VOE8188765	Engine D12D-K	

Pos	Part	Q1	Q2	Q3	Q4	Q5	PS	Kit	Description	Option(s)	Remark
	VOE11030273	1	1	1					Flywheel housing		
	VOE15020693				1				Flywheel housing		
1	VOE11030245	1	1	1			OP		•Flywheel housing		

	VOE11030245				1		OP		•Flywheel housing		
2	VOE1543896	1	1	1	1				•Sealing ring		
3	VOE11030271	1	1	1					•Oil deflector ring		
	VOE15004855				1				•Oil deflector ring		
4	VOE13905650	4	4	4	4				•Drive screw		
5	VOE11128928	1	1	1	1				Cover		
6		1	1	1	1		NS		Gasket		
7	VOE946502	3	3	3	3				Flange screw		
8	VOE11031785	1	1	1	1				Plug		
9	VOE421158	1	1	1	1				Sealing ring		
10	VOE11031769	1	1	1	1				Lock washer		
11	VOE13966378	2	2	2	2				Flange screw		
12	VOE15134976	2	2	2	2				Plug		
13	VOE1556907	2	2	2	2				Gasket		
14	VOE1161277	REQ	REQ	REQ	REQ				Sealant		20 GRAM
	VOE11713514	REQ	REQ	REQ	REQ				Sealant		
15	VOE13966364	8	8	8	8				Flange screw		L = 70 MM
	VOE13966366	2	2	2	2				Flange screw		L = 90 MM
	VOE13966371	2	2	2	2				Flange screw		L = 140 MM

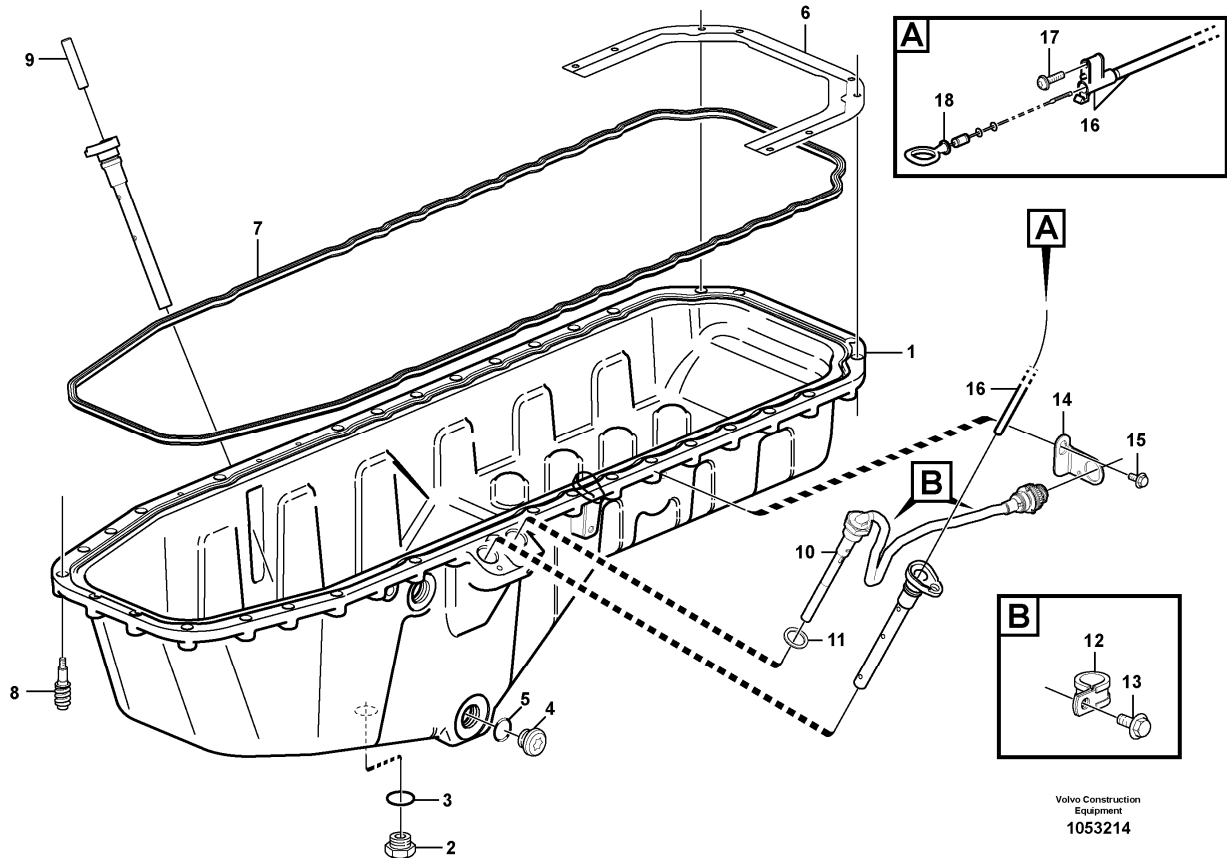
Date: 2014/3/12	Image id: 1053118	Catalogue: 20110	Model: L180F HL
Brand: Volvo	Serial: 11004-15577	Group/Section: 217/100	Title: Oil sump / oil dipstick 8188740, 8188743



Section option	Kit	Option description
VOE8188740		Engine D12DLAE3
VOE8188743		Engine D12D-B

Pos	Part	Q1	Q2	Q3	Q4	Q5	PS	Kit	Description	Option(s)	Remark
1		1							Oil Pan		See ref 217/200
2	VOE11127354	1							Plug		
3	VOE13948610	1							O-ring		
4	VOE11127354	1							Plug		
5	VOE13948610	1							O-ring		
6	VOE20532272	1							Sealing strip		
7	VOE20538726	30							Flange screw		
8	VOE20533484	1							Plug		
9	VOE11423483	1							Oil dipstick		
	VOE944124	1							•O-ring		
10	VOE975371	1							Six point socket		

Date: 2014/3/12	Image id: 1053214	Catalogue: 20110	Model: L180F HL
Brand: Volvo	Serial: 11004-15577	Group/Section: 217/150	Title: Oil sump / oil dipstick 8188771, 8188765



Section option	Kit	Option description
VOE8188765		Engine D12D-K
VOE8188771		Engine D12D-L

Q1-Q5	Option	Option description	
Q1 8188771	VOE8188771	Engine D12D-L	
Q2 8188765	VOE8188765	Engine D12D-K	

Pos	Part	Q1	Q2	Q3	Q4	Q5	PS	Kit	Description	Option(s)	Remark
1		1							Oil Pan		See ref 217/200
1		1	1						Oil Pan		See ref 217/250
2	VOE11127354	1	1						Plug		
3	VOE13948610	1	1						O-ring		
4	VOE11127354	1	1						Plug		
5	VOE13948610	1	1						O-ring		
6	VOE15122204	1	1						Sealing plate		

Thank you so much for reading.
Please click the “Buy Now!”
button below to download the
complete manual.



After you pay.

You can download the most
perfect and complete manual in
the world immediately.

Our support email:

ebooklibonline@outlook.com