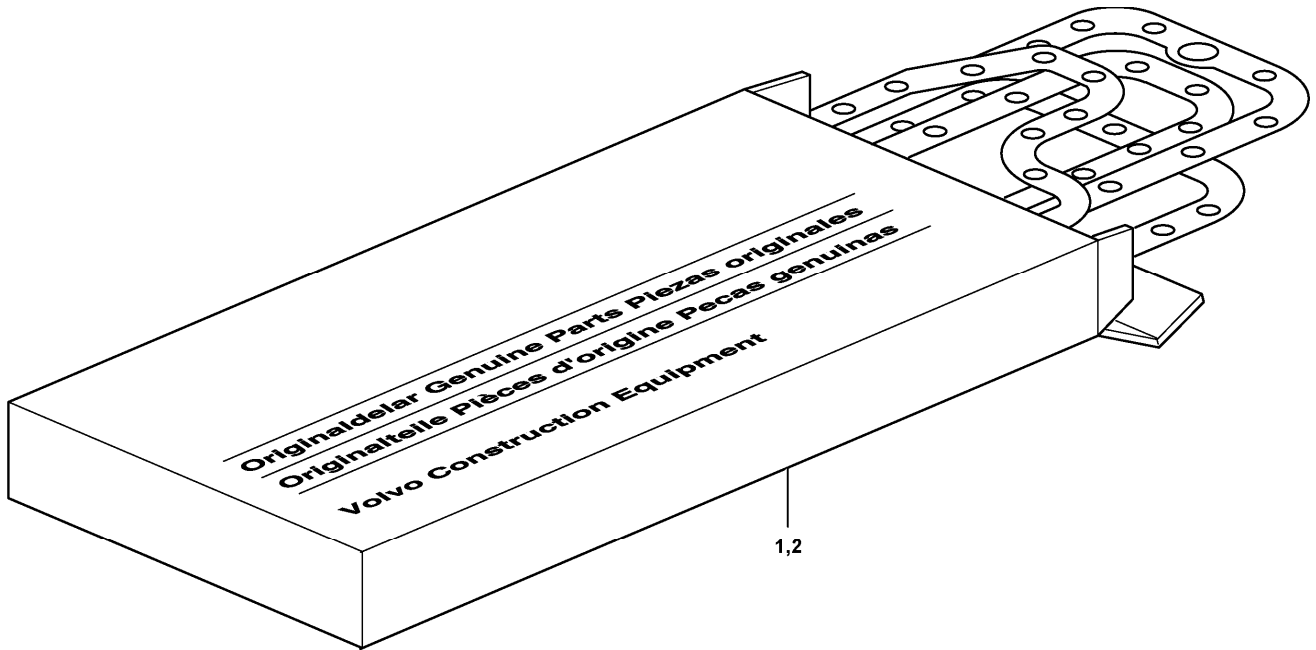


Date: 2013/11/4	Image id: 1020245	Catalogue: 20576	Model: L20F
Brand: Volvo	Serial: 1705001-	Group/Section: 210/50	Title: Repair kits for engine

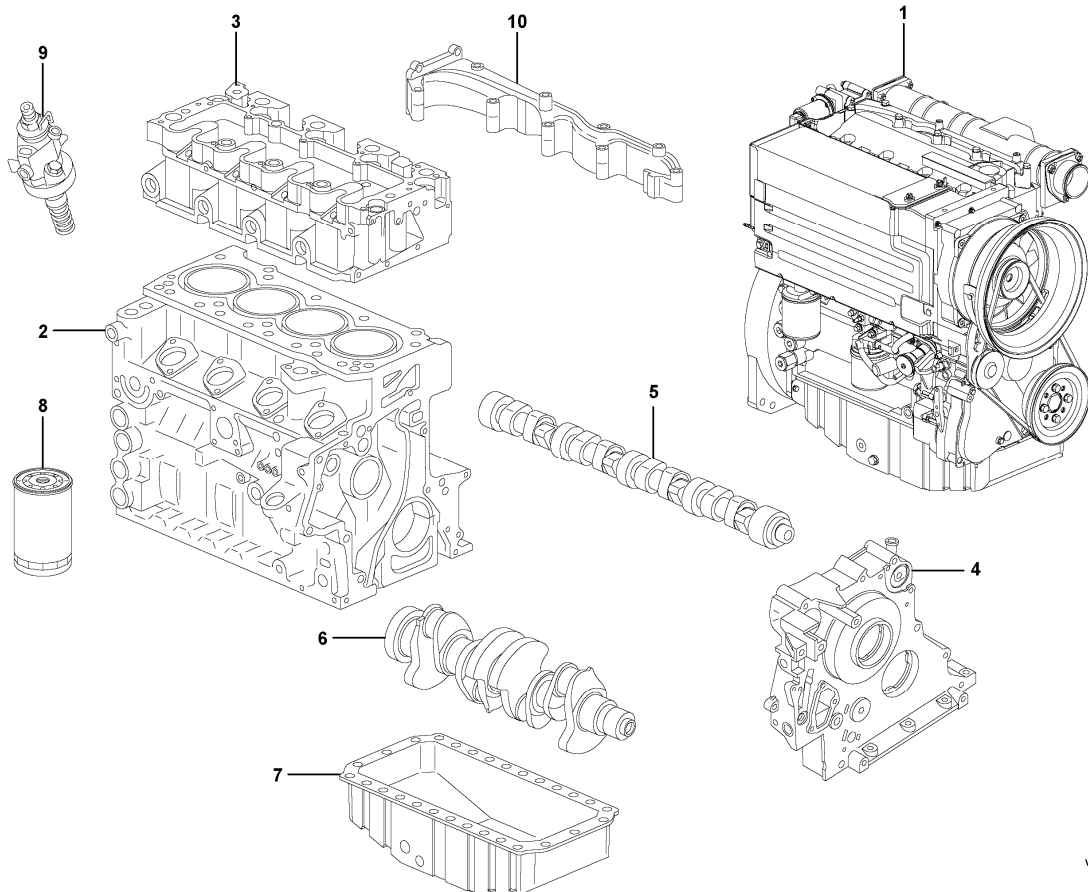


Volvo Construction
Equipment
1020245

Section option	Kit	Option description
VOE15211725		Engine L20F

Pos	Part	Q1	Q2	Q3	Q4	Q5	PS	Kit	Description	Option(s)	Remark
1	VOE11370599	1							Sealing kit		
2	ZM2906908	1					SS		Cyl Head Kit		

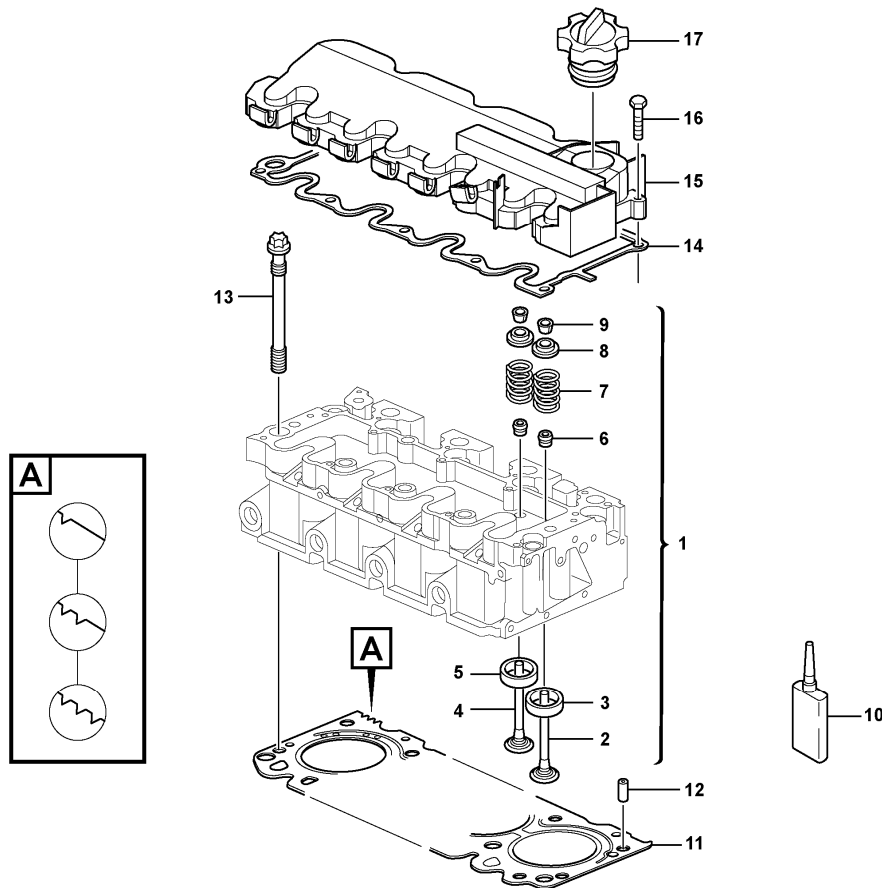
Date: 2013/11/4	Image id: 1056598	Catalogue: 20576	Model: L20F
Brand: Volvo	Serial: 1705001-	Group/Section: 210/100	Title: Engine



Volvo Construction
Equipment
1056598

Pos	Part	Q1	Q2	Q3	Q4	Q5	PS	Kit	Description	Option(s)	Remark
1	VOE15211725	1							Engine		
2		1							•Cylinder block		See ref 212/100
3		1							•Cylinder head		See ref 211/100
4		1							•Timing gear casing		See ref 215/200
5		1							•Camshaft		See ref 215/100
6		1							•Crankshaft		See ref 216/100
7		1							•Oil sump		See ref 217/100
8		1							•Oil Filter		See ref 222/100
9		1							•Injector		See ref 236/100
10		1							•Inlet, exhaust syst.		See ref 251/100

Date: 2013/11/4	Image id: 1056377	Catalogue: 20576	Model: L20F
Brand: Volvo	Serial: 1705001-	Group/Section: 211/100	Title: Cylinder head



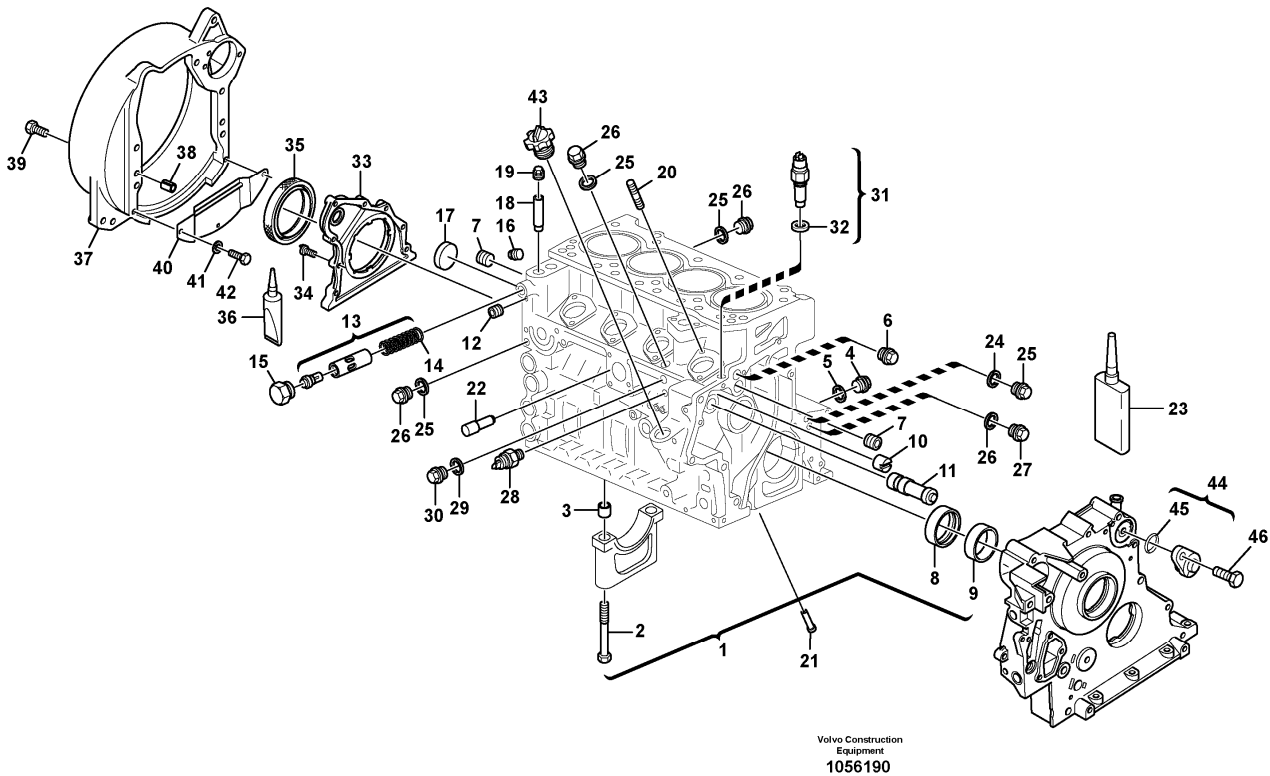
Volvo Construction
Equipment
1056377

Section option	Kit	Option description
VOE15211725		Engine L20F

Pos	Part	Q1	Q2	Q3	Q4	Q5	PS	Kit	Description	Option(s)	Remark
1	VOE15052804	1							Cylinder head		
2	ZM2908491	4							•Inlet valve		
3	VOE15052903	4							•Valve seat		
4	ZM2908492	4							•Exhaust Valve		
5	VOE15052901	4							•Valve seat		
6	VOE20459855	8							•Valve seal		(ZM2904368)
7	ZM2904091	8							•Pressure spring		
8	VOE15053220	8							•Washer		
9	VOE20459857	16							•Valve sleeve		
10	ZM2903912	REQ					OP		Locking agent		
11	VOE15052907	REQ							Cylinder head gasket		

11	VOE15052909	REQ							Cylinder head gasket		
11	VOE15052899	REQ							Cylinder head gasket		
12	VOE21033924	2							Guide pin		(ZM2904093)
13	ZM2904092	10							Cylinder head screw		
14	VOE15153288	1							Gasket		
15	VOE11370139	1							Valve cover		
16	ZM2908485	10							Screw		M6X30
17	ZM2904064	1							Filler cap		

Date: 2013/11/4	Image id: 1056190	Catalogue: 20576	Model: L20F
Brand: Volvo	Serial: 1705001-	Group/Section: 212/100	Title: Engine housing

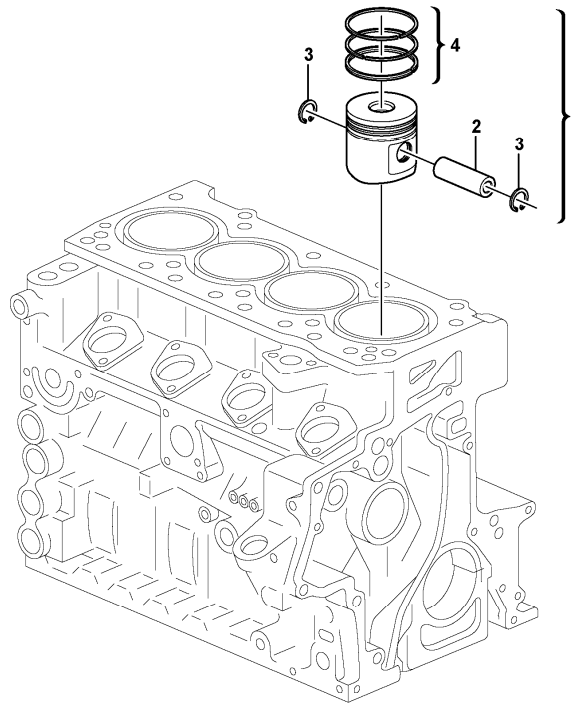


Section option	Kit	Option description
VOE15211725		Engine L20F

Pos	Part	Q1	Q2	Q3	Q4	Q5	PS	Kit	Description	Option(s)	Remark
1	VOE15075766	1							Block		
2	ZM2290540	8							•Hexagon screw		
3	ZM4010300	8							•Bushing		
4	VOE20459941	1							•Plug		
5	VOE20460061	1							•Sealing ring		
6	ZM2904050	1							•Screw plug		
7	ZM2908480	2							•Screw plug		
8	ZM2904048	2							•Bearing bush		
9	VOE20795762	3							•Bearing Bushing		
10	VOE15053296	2							•Guide sleeve		
11	VOE15053810	1							•Plug		
12	VOE2905340	1							•Screw plug		

13	ZM2904169	1							•Thermostat		
14	ZM2904053	1							••Pressure spring		
15	ZM2905345	1							•Screw plug		
16	ZM20405718	1							•Screw plug		
17	VOE11370179	1							•Cover		
18	ZM2904051	1							•Tube		
19	ZM2905344	1							•Screw plug		
20	VOE11715739	8							•Stud		
21	ZM2904056	8							•Piston cooling jet		
22	ZM2904057	1							•Pin		
23	ZM2903912	REQ					OP		Locking agent		
24	VOE11700631	4							Sealing ring		
25	VOE960628	4							Plug		
26	VOE13947624	1							Plane gasket		
27	VOE20405506	1							Plug		
28	ZM2905379	1							Oil pressure switch		SE-B07
29	VOE13947624	1							Plane gasket		
30	VOE20799217	1							Plug		
31	VOE15054496	1							Sensor		SE-B06
32	VOE15051423	1							•Sealing ring		
33	VOE11715813	1							Cover		
34	ZM2290455	8							Screw		M8x30
35	ZM2292220	1							Radial seal		
36	ZM4084070	REQ							Sealant		
37	ZM2905335	1							Intermediate housing		
38	ZM2290547	2							Bushing		
39	VOE20554683	4							Screw		
40	ZM2290561	1							Cover plate		
41	VOE973494	3							Washer		(VOE20459183)
42	VOE20459986	3							Screw		
43	ZM2904064	1							Filler cap		
44	ZM2904065	1							Valve		
45	ZM2904066	1							•O-ring		
46	VOE11370258	1							Hexagon screw		

Date: 2013/11/4	Image id: 1056226	Catalogue: 20576	Model: L20F
Brand: Volvo	Serial: 1705001-	Group/Section: 213/100	Title: Piston

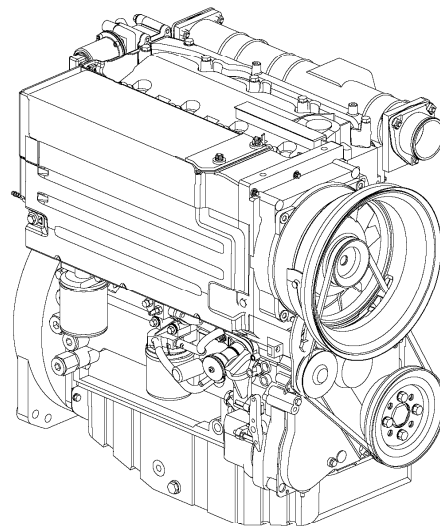
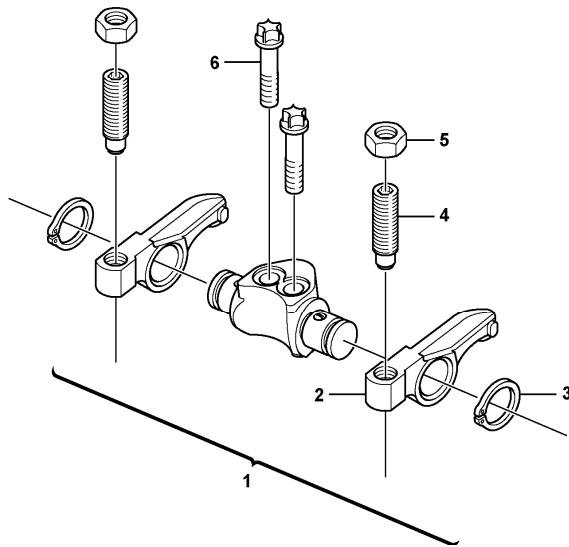


Volvo Construction
Equipment
1056226

Pos	Part	Q1	Q2	Q3	Q4	Q5	PS	Kit	Description	Option(s)	Remark
1	VOE15052788	4							Piston		See footnote 3735)
2	VOE11715530	1							•Bolt		
3	VOE11715531	2							•Retaining ring		
4	VOE15053376	1							•Piston ring kit		

3735) Compression class A

Date: 2013/11/4	Image id: 1056336	Catalogue: 20576	Model: L20F
Brand: Volvo	Serial: 1705001-	Group/Section: 214/100	Title: Valve mechanism

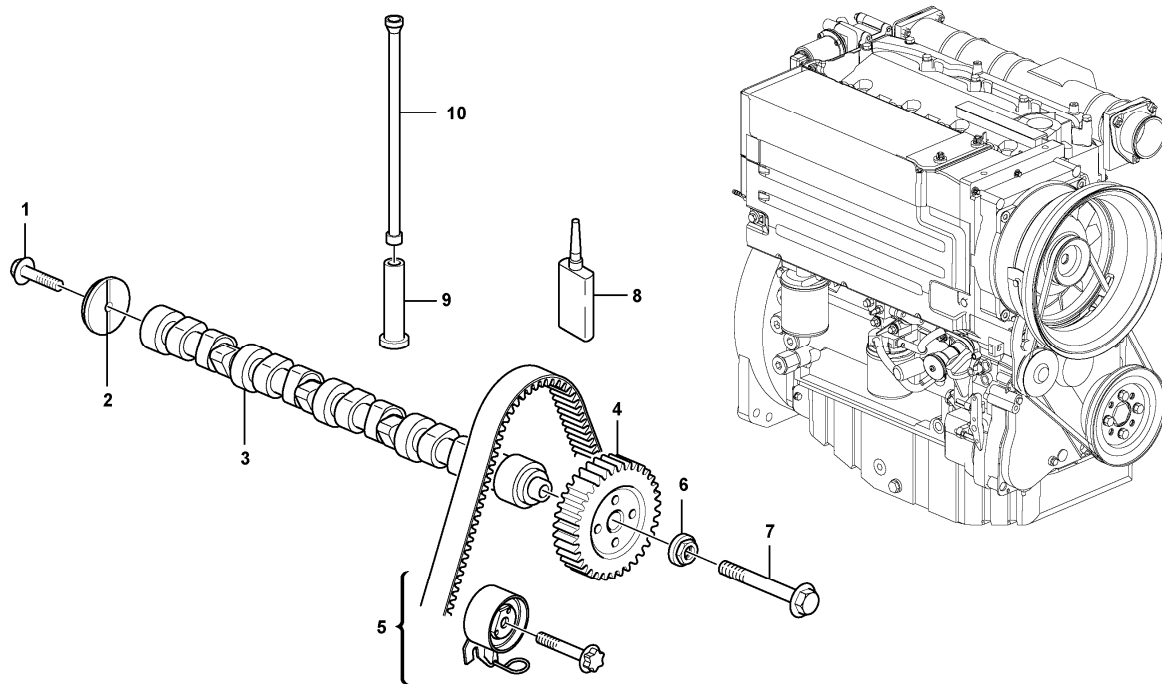


Volvo Construction
Equipment
1056336

Section option	Kit	Option description
VOE15211725		Engine L20F

Pos	Part	Q1	Q2	Q3	Q4	Q5	PS	Kit	Description	Option(s)	Remark
1	ZM2290529	4							Valve support	rocker	
2	ZM2290526	2							•Rocker Arm		
3	ZM7094952	2							•Safety ring		18X1,2
4	ZM2290527	2							•Adjusting screw		
5	VOE11700373	2							•Nut		
6	VOE20459853	8							Screw		

Date: 2013/11/4	Image id: 1056478	Catalogue: 20576	Model: L20F
Brand: Volvo	Serial: 1705001-	Group/Section: 215/100	Title: Camshaft

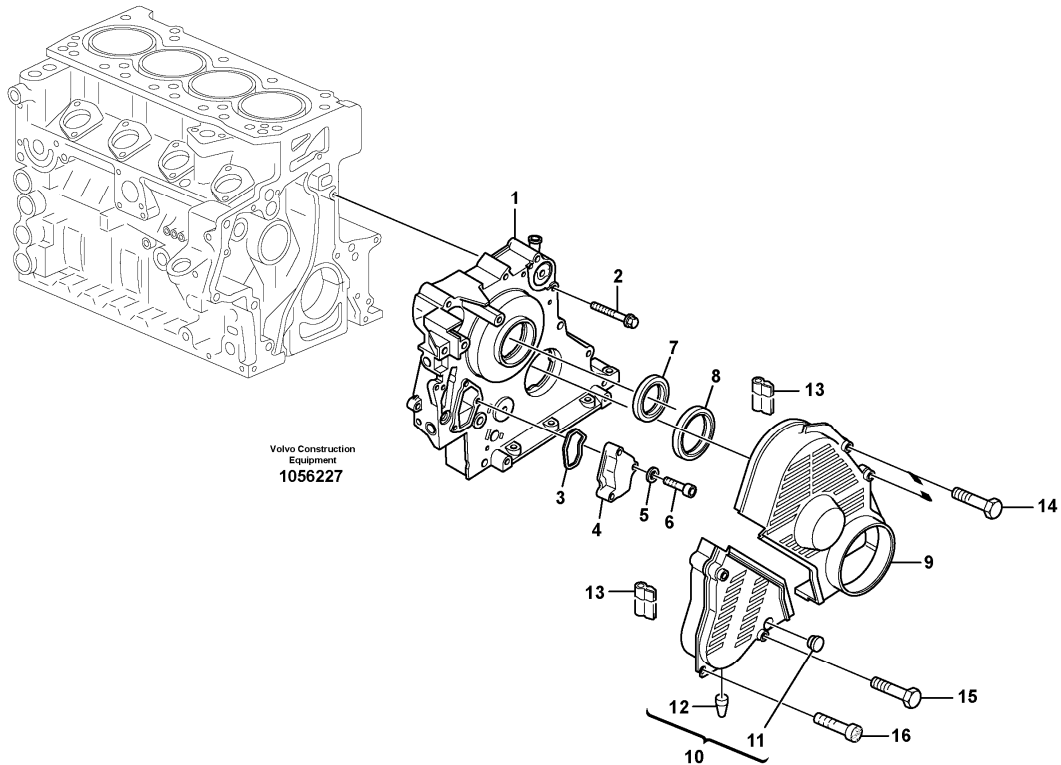


Volvo Construction
Equipment
1056478

Section option	Kit	Option description
VOE15211725		Engine L20F

Pos	Part	Q1	Q2	Q3	Q4	Q5	PS	Kit	Description	Option(s)	Remark
1	VOE20556888	1							Hexagon screw		
2	ZM2290517	1							Spacer disc		
3	VOE15053308	1							Camshaft		
4	VOE15053819	1							Camshaft gear		
5	VOE20945013	1							Repair Kit		
6	ZM2290522	1							Washer		
7	VOE20797281	1							Hexagon screw		
8	ZM4084070	REQ							Sealant		
9	ZM2904101	8							Valve tappet		
10	VOE15053292	8							Push rod		

Date: 2013/11/4	Image id: 1056227	Catalogue: 20576	Model: L20F
Brand: Volvo	Serial: 1705001-	Group/Section: 215/200	Title: Timing gear housing (front cover)



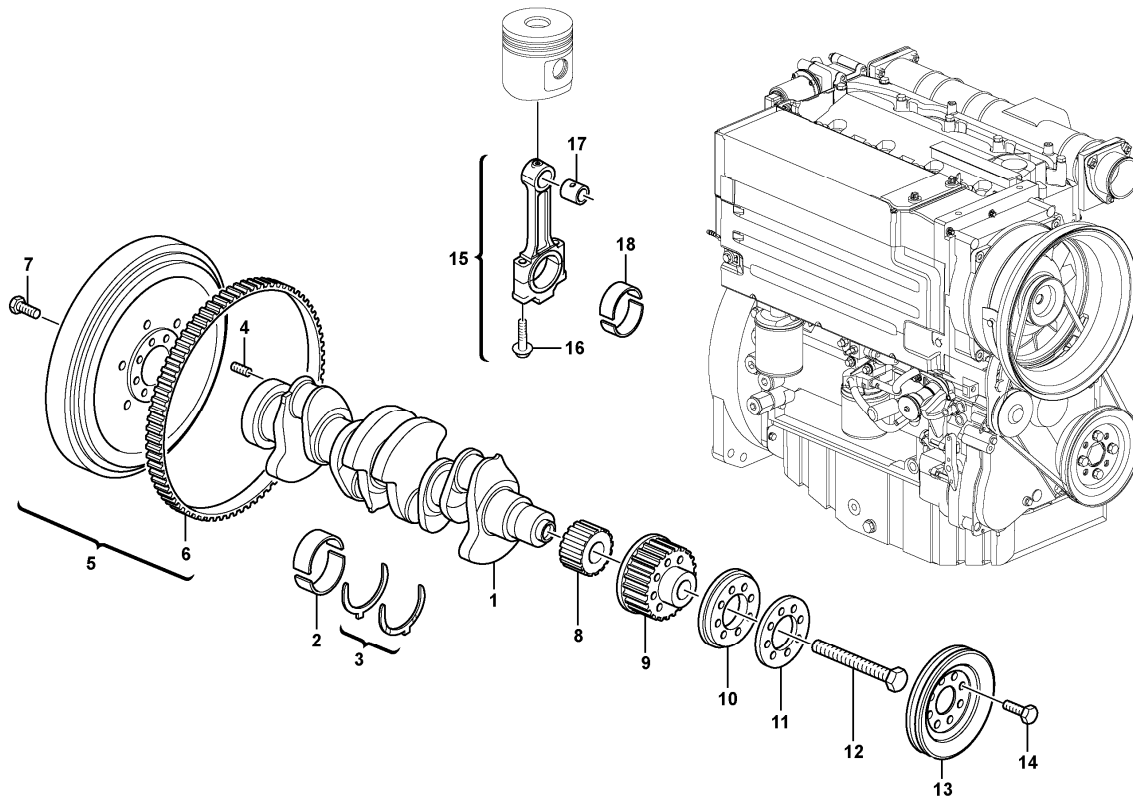
Section option	Kit	Option description
VOE15211725		Engine L20F

Pos	Part	Q1	Q2	Q3	Q4	Q5	PS	Kit	Description	Option(s)	Remark
1	VOE11370643	1							Cover		
2	ZM2908498	12							Screw		
3	ZM2904068	1							Profil gasket		
4	ZM2904070	1							Cover		
5	VOE20459074	3							Washer		(VOE11700497)
6	VOE11370253	3							Screw		
7	ZM2291470	1							Seal		
8	ZM2290458	1							Seal		
9	VOE11715748	1							Protecting casing		See footnote 1415)
10	VOE11715749	1							Protecting casing		
11	ZM2904072	1							•Plug		
12	VOE11370190	1							•Rubber sleeve		

13	VOE11370596	REQ							Sealing moulding		
14	VOE11370191	3							Hexagon screw		
15	VOE11370192	2							Hexagon screw		
16	VOE20460068	1							Screw		

1415) not by auxiliary pump

Date: 2013/11/4	Image id: 1056367	Catalogue: 20576	Model: L20F
Brand: Volvo	Serial: 1705001-	Group/Section: 216/100	Title: Crankshaft



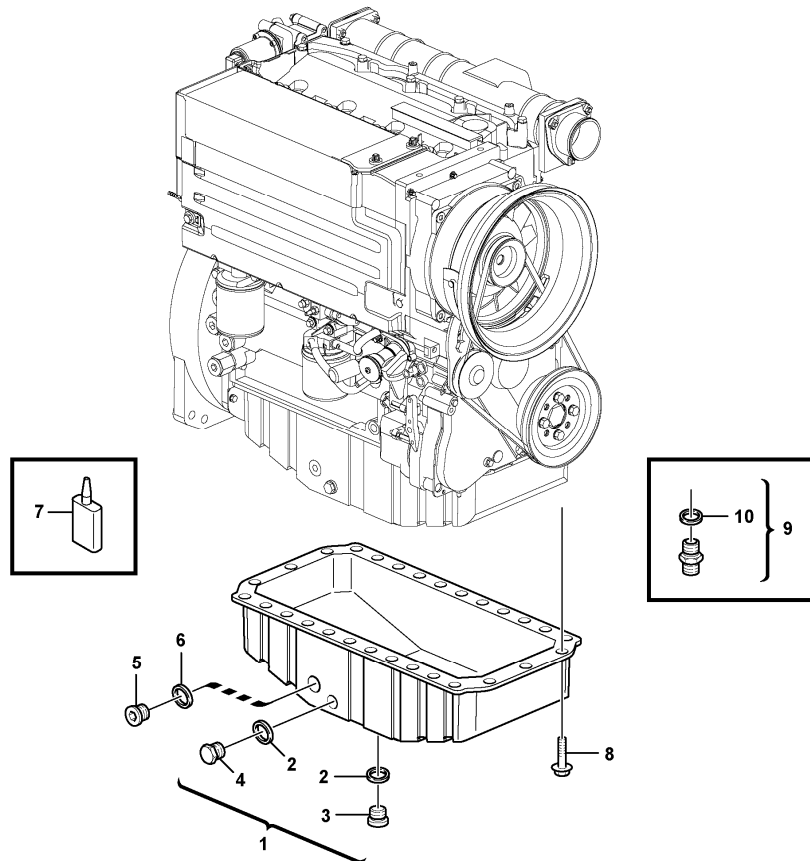
Volvo Construction
Equipment
1056367

Section option	Kit	Option description
VOE15211725		Engine L20F

Pos	Part	Q1	Q2	Q3	Q4	Q5	PS	Kit	Description	Option(s)	Remark
1	VOE15053306	1							Crankshaft		
2	ZM2290400	5							•Crankshaft bearing		70,00 MM
3	VOE20944762	1							•Thrust Washer		2,40 MM
4	ZM2904375	1							Thread Insert		
5	ZM2908532	1							Flywheel		
6	ZM2908533	1							•Gear ring		
7	ZM2290407	8							Screw		
8	ZM2290408	1							Toothed belt wheel		
9	ZM2290409	1							Toothed belt wheel		
10	VOE11370230	1							Spacer		
11	VOE11370135	1							Deflector		
12	ZM2290411	1							Screw		(VOE11715741)

13	ZM2905385	1							V-belt pulley		
14	ZM2908482	8							Screw		(ZM2900545)
15	VOE15053277	4							Connecting rod		
16	VOE15053932	8							•Screw		
17	ZM2290431	4							•Bushing		STD
17	ZM2900544	4							•Bushing		O SZ 33,22-33,36
18	VOE15186588	4							•Big-end Bearing kit		(VOE15053863)

Date: 2013/11/4	Image id: 1056237	Catalogue: 20576	Model: L20F
Brand: Volvo	Serial: 1705001-	Group/Section: 217/100	Title: Oil sump

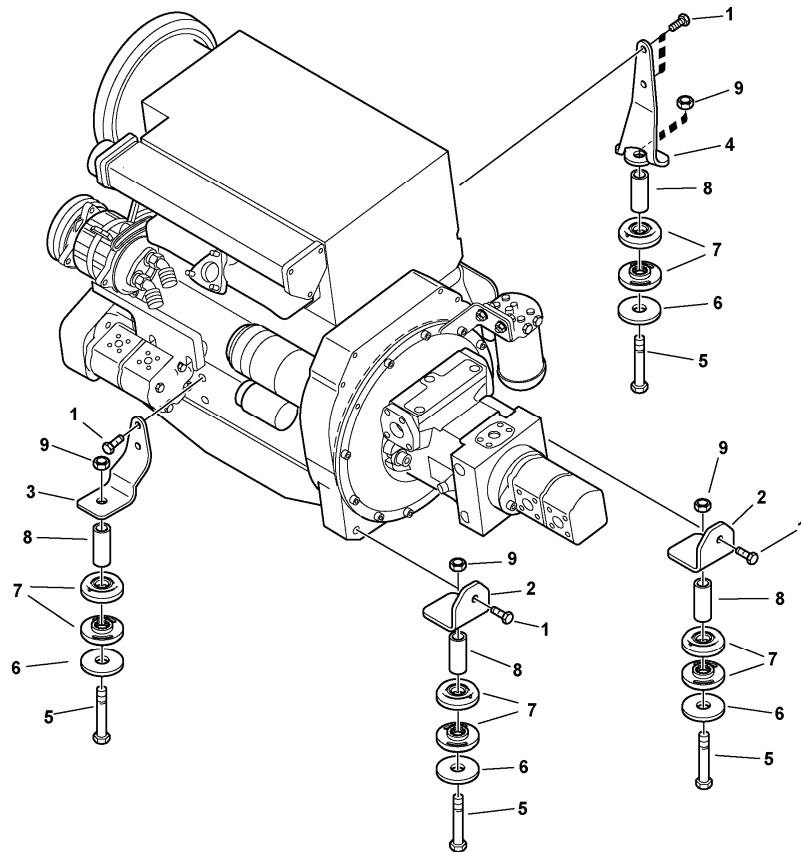


Volvo Construction
Equipment
1056237

Section option	Kit	Option description
VOE15211725		Engine L20F

Pos	Part	Q1	Q2	Q3	Q4	Q5	PS	Kit	Description	Option(s)	Remark
1	VOE11370134	1							Oil pan		
2	VOE13947624	2							•Plane gasket		
3	VOE20450891	1							•Plug		M18X1,5
4	VOE20405506	1							•Plug		
5	VOE20460024	1							Plug		
6	VOE20460026	1							Sealing ring		(ZM7099523)
7	ZM11712439	REQ							Sealing compound		
8	ZM2292234	26							Screw		
9	VOE20450851	1							Drain valve		
10	VOE20450890	1							•Sealing ring		

Date: 2013/11/4	Image id: 1055726	Catalogue: 20576	Model: L20F
Brand: Volvo	Serial: 1705001-	Group/Section: 218/100	Title: Engine assy 11390018



Volvo Construction
Equipment
1055726

Section option	Kit	Option description
VOE11390018		Wheel loader L20F

Pos	Part	Q1	Q2	Q3	Q4	Q5	PS	Kit	Description	Option(s)	Remark
1	VOE980056	6							Flange screw		M14x30
2	VOE11306348	2							Retainer		1700845-
3	VOE11306347	1							Retainer		1700845-
4	VOE11306346	1							Retainer		1700845-
5	VOE978952	4							Hexagon screw		M20x100 S/N 1700845 - 1705287
5	VOE978953	4							Hexagon screw		M20x100 S/N 1705288 -
6	VOE11307333	4							Washer		1700845-
7	ZM2811225	8							Buffer		
8	ZM2812436	4							Tube		
9	VOE982489	4							Lock nut		(ZM7098016)

Thank you so much for reading.
Please click the “Buy Now!”
button below to download the
complete manual.



After you pay.

You can download the most
perfect and complete manual in
the world immediately.

Our support email:

ebooklibonline@outlook.com