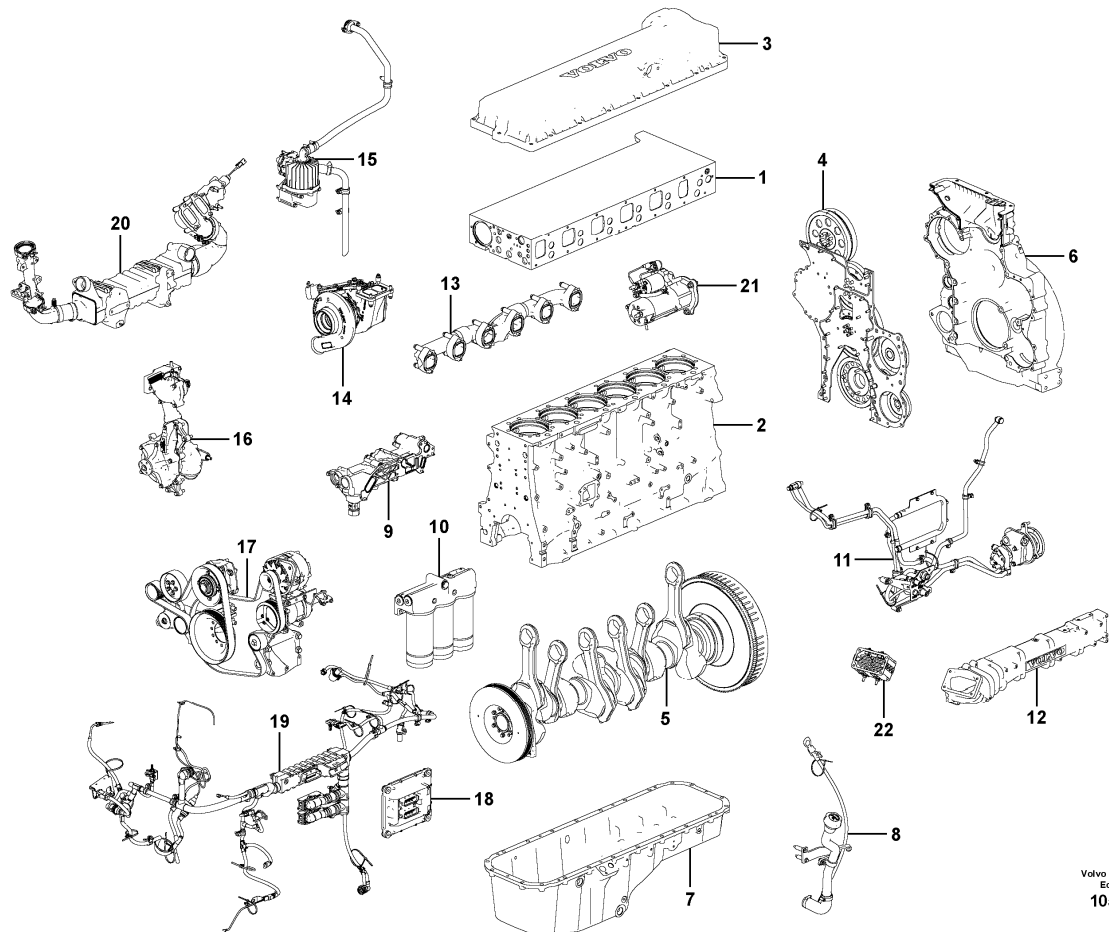


Date: 2014/3/11	Image id: 1058286	Catalogue: 20600	Model: L220G
Brand: Volvo	Serial: 9001-, 12004-	Group/Section: 210/100	Title: Engine



Volvo Construction
Equipment
1058286

Section option	Kit	Option description
VOE15049439		Engine D13H-E TIER 4I, US
VOE15117870		Engine D13H-F STAGE 3B, EU
VOE85420		Engine D13H (TIER 4I) WITH ASSOCIATED EQUIPMENT
VOE85421		Engine D13H (STAGE III B) WITH ASSOCIATED EQUIPMENT
VOE15173113		Engine D13H, EU/US

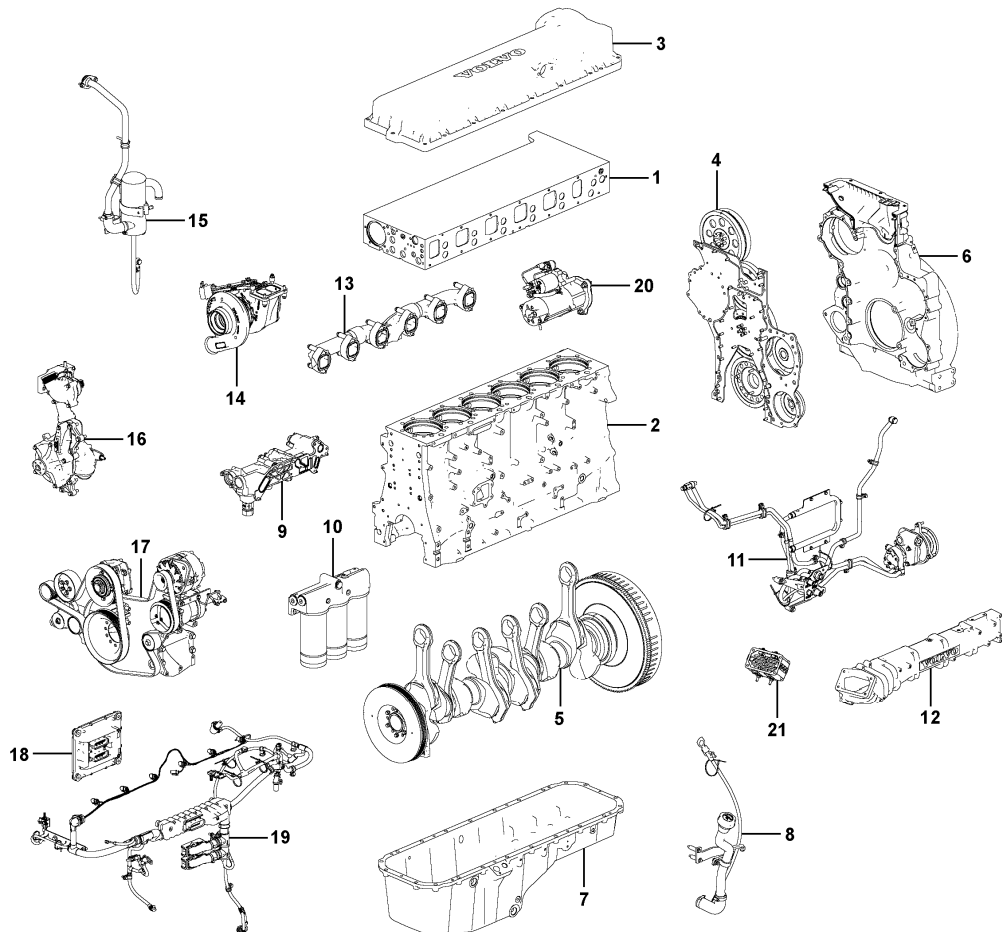
Q1-Q5	Option	Option description	
Q1 85420	VOE85420	Engine D13H (TIER 4I) WITH ASSOCIATED EQUIPMENT	
Q2 85421	VOE85421	Engine D13H (STAGE III B) WITH ASSOCIATED EQUIPMENT	
Q3 15173113	VOE15173113	Engine D13H, EU/US	

Pos	Part	Q1	Q2	Q3	Q4	Q5	PS	Kit	Description	Option(s)	Remark
	VOE15049439	1					SE		Engine		
	VOE15117870		1				SE		Engine		
	VOE15173113			1					Engine		See footnote 1) AME

1		1	1						Cylinder head		See ref 211/100
2		1	1						Cylinder block		See ref 212/100
3		1	1						Valve mechanism		See ref 214/100
4		1	1						Timing gears		See ref 215/100
5		1	1						Crankshaft		See ref 216/100
6		1	1						Flywheel Hsg		See ref 216/200
7		1	1						Oil sump		See ref 217/100
8		1	1						Oil Dipstick		See ref 217/100
9		1	1						Lubricating system		See ref 221/100
10		1	1						Oil filter		See ref 222/100
11		1	1						Fuel system		See ref 235/200
12		1	1						Inlet Manifold		See ref 251/100
13		1	1						Exhaust Manifold		See ref 251/100
14		1	1						Turbocharger		See ref 255/100
15		1	1						Crankcase Venti		See ref 257/100
16		1	1						Coolant pump		See ref 262/100
17		1	1						Belt Xmsn		See ref 263/100
18		1	1						E-ECU		See ref 284/100
19		1	1						Cable harness		See ref 286/100
20		1	1						Egr Cooler		See ref 293/100
21		1	1						Starter Motor		See ref 331/100
22		1	1						Starter Element		See ref 333/100

1) Replacement version

Date: 2014/3/11	Image id: 1058317	Catalogue: 20600	Model: L220G
Brand: Volvo	Serial: 9001-, 12004-	Group/Section: 210/110	Title: Engine



Volvo Construction
Equipment
1058317

Section option	Kit	Option description
VOE15049437		Engine D13F-C
VOE15173114		Engine D13F WLO AFTERMARKET
VOE85424		Engine D13F WITH ASSOCIATED EQUIPMENT

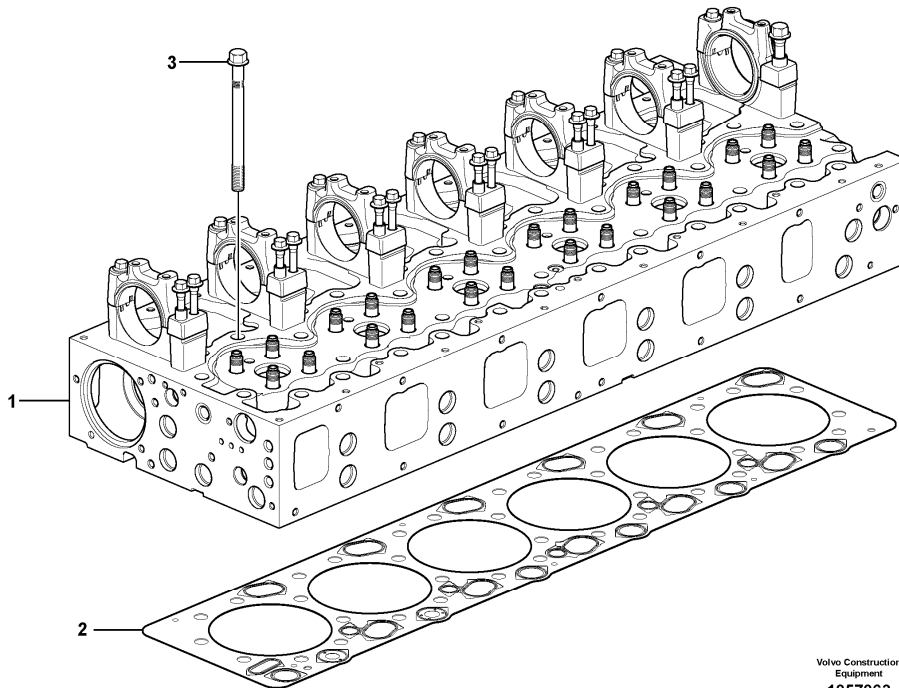
Q1-Q5	Option	Option description	
Q1 85424	VOE85424	Engine D13F WITH ASSOCIATED EQUIPMENT	
Q2 15173114	VOE15173114	Engine D13F WLO AFTERMARKET	

Pos	Part	Q1	Q2	Q3	Q4	Q5	PS	Kit	Description	Option(s)	Remark
	VOE15049437	1					SE		Engine		
	VOE15173114		1						Engine		See footnote 1) AME
1		1							Cylinder head		See ref 211/100
2		1							Cylinder block		See ref 212/100
3		1							Valve mechanism		See ref 214/100
4		1							Timing gears		See ref 215/100

5		1							Crankshaft		See ref 216/100
6		1							Flywheel Hsg		See ref 216/200
7		1							Oil sump		See ref 217/100
8		1							Oil Dipstick		See ref 217/100
9		1							Lubricating system		See ref 221/100
10		1							Oil filter		See ref 222/100
11		1							Fuel system		See ref 235/200
12		1							Inlet Manifold		See ref 251/110
13		1							Exhaust Manifold		See ref 251/210
14		1							Turbocharger		See ref 255/110
15		1							Crankcase Venti		See ref 257/110
16		1							Coolant pump		See ref 262/100
17		1							Belt Xmsn		See ref 263/100
18		1							E-ECU		See ref 284/100
19		1							Cable harness		See ref 286/110
20		1							Starter Motor		See ref 331/100
21		1							Starter Element		See ref 333/100

1) Replacement version

Date: 2014/3/11	Image id: 1057063	Catalogue: 20600	Model: L220G
Brand: Volvo	Serial: 9001-, 12004-	Group/Section: 211/100	Title: Cylinder head with fitting parts



Volvo Construction
Equipment
1057063

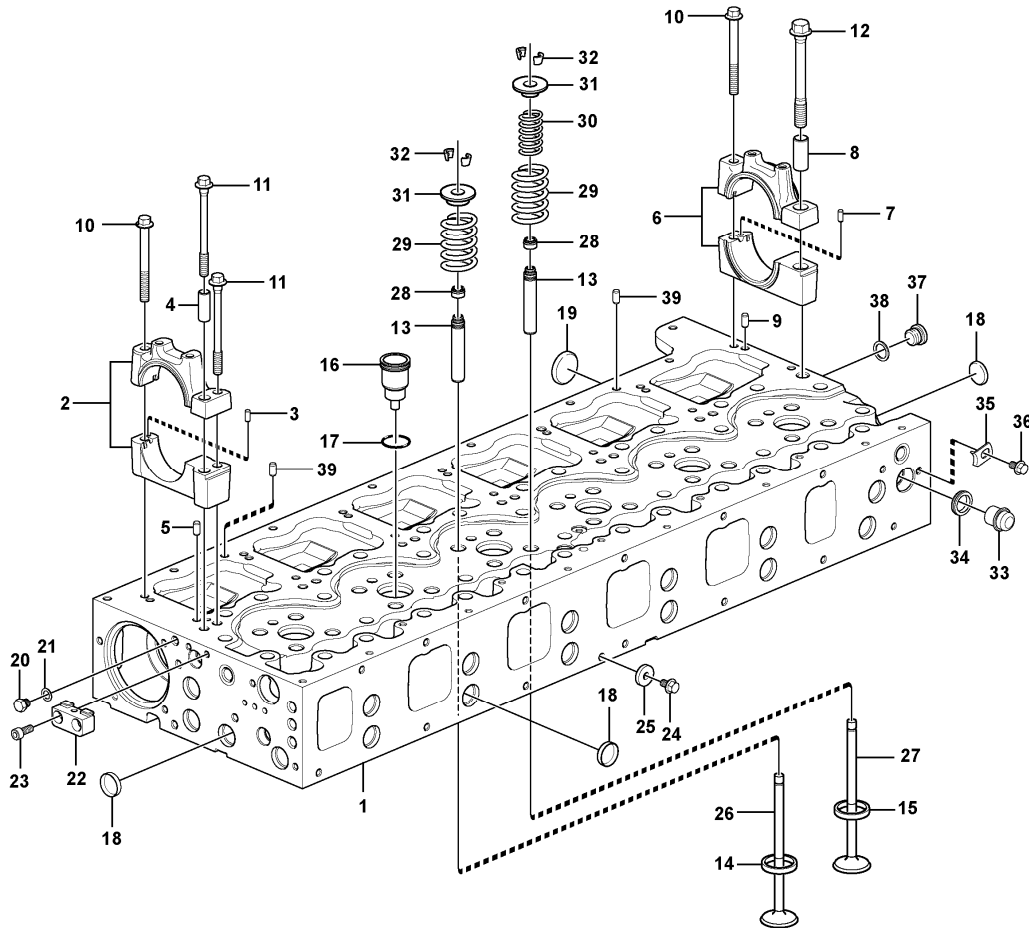
Section option	Kit	Option description
VOE15049437		Engine D13F-C
VOE15049439		Engine D13H-E TIER 4I, US
VOE15117870		Engine D13H-F STAGE 3B, EU
VOE85420		Engine D13H (TIER 4I) WITH ASSOCIATED EQUIPMENT
VOE85421		Engine D13H (STAGE IIIB) WITH ASSOCIATED EQUIPMENT
VOE85424		Engine D13F WITH ASSOCIATED EQUIPMENT

Q1-Q5	Option	Option description	
Q1 15049439 15117870	VOE15049439	Engine D13H-E TIER 4I, US	
Q2 15049437	VOE15049437	Engine D13F-C	

Pos	Part	Q1	Q2	Q3	Q4	Q5	PS	Kit	Description	Option(s)	Remark
1		1	1						Cylinder head		See ref 211/200

2	VOE21313537	1	1						Cylinder head gasket		
3	VOE21345131	38	38						Screw		

Date: 2014/3/11	Image id: 1057077	Catalogue: 20600	Model: L220G
Brand: Volvo	Serial: 9001-, 12004-	Group/Section: 211/200	Title: Cylinder head



Volvo Construction
Equipment
1057077

Section option	Kit	Option description
VOE15049437		Engine D13F-C
VOE15049439		Engine D13H-E TIER 4I, US
VOE15117870		Engine D13H-F STAGE 3B, EU
VOE85420		Engine D13H (TIER 4I) WITH ASSOCIATED EQUIPMENT
VOE85421		Engine D13H (STAGE IIIB) WITH ASSOCIATED EQUIPMENT
VOE85424		Engine D13F WITH ASSOCIATED EQUIPMENT

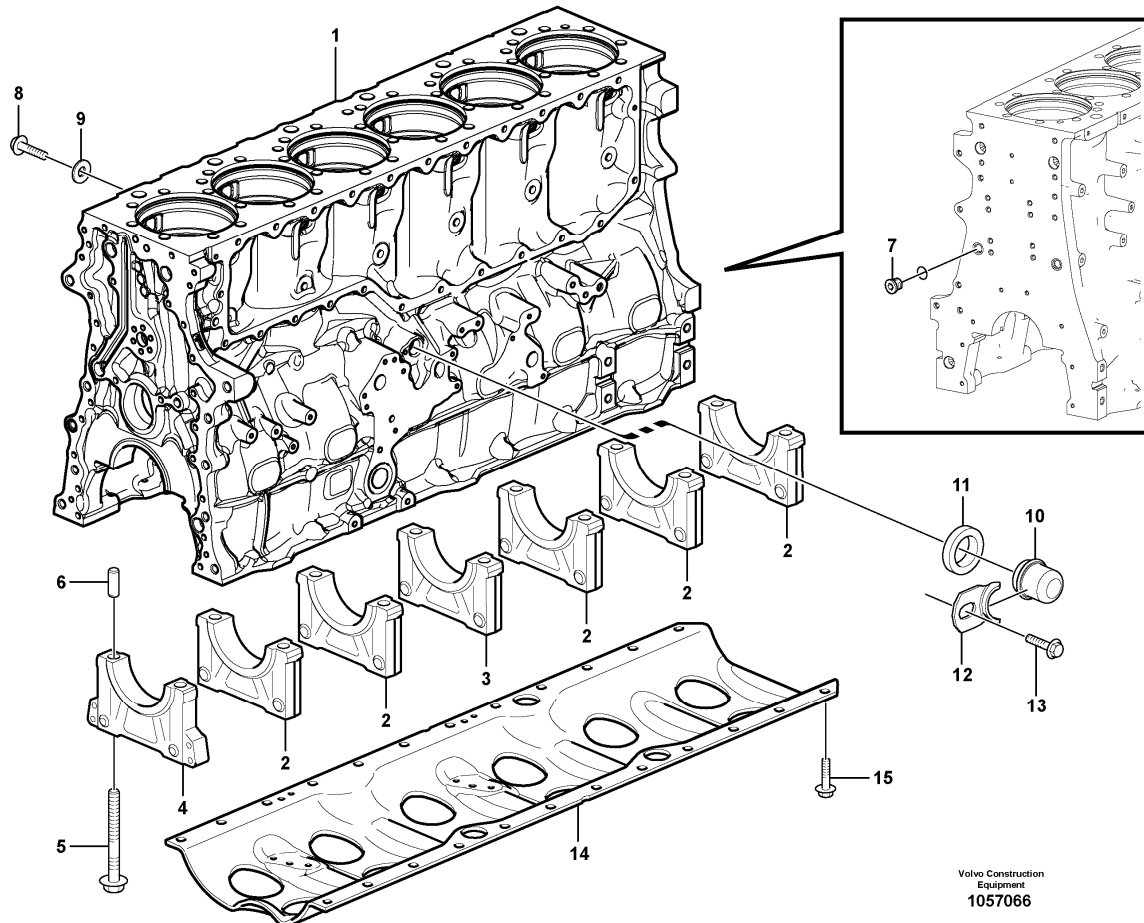
Q1-Q5	Option	Option description	
Q1 15049439 15117870	VOE15049439	Engine D13H-E TIER 4I, US	
Q2 15049437	VOE15049437	Engine D13F-C	

Pos	Part	Q1	Q2	Q3	Q4	Q5	PS	Kit	Description	Option(s)	Remark
1	VOE21460896	1							Cylinder head		See footnote 1)
1	VOE21297143		1						Cylinder head		

2	VOE20813823	6	6				NS		•Bearing Housing		1-6
3	VOE950542	6	6						••Pin		
4	VOE1677189	6	6				NS		••Pin		
5	VOE950562	12	12						••Pin		
6	VOE20907267	1	1				NS		•Bearing Housing		
7	VOE950542	1	1						••Pin		
8	VOE1636468	1	1				NS		••Sleeve		
9	VOE950562	2	2						••Pin		
10	VOE13975105	7	7						•Flange screw		
11	VOE21344778	12	12						•Flange screw		
12	VOE20412482	1	1						•Flange screw		
13	VOE20904074	24	24						•Valve guide		
14	VOE20740804	12							•Valve seat		INLET
14	VOE20561997		12						•Valve seat		INLET
15	VOE20530103	12	12						•Valve seat		EXHAUST
16	VOE21515329	6							•Injector sleeve		
16	VOE20981856		6						•Sleeve		
17	VOE20536487	6							••O-ring		
17	VOE20536487		6						•O-ring		
18	VOE24426721	21	21						•Cap plug		OD = 29 mm
19	VOE24426722	5	5						•Cap plug		OD = 40 mm
20	VOE960628	1	1						•Plug		
21	VOE13947281	1	1						•Gasket		
22	VOE20559837	1	1				NS		•Bracket		
23	VOE959220	2	2						•Allen Hd Screw		
24	VOE13944926	1	1						•Screw		
25	VOE945583	1	1				NS		•Washer		
26	VOE20740798	12	12						•Inlet valve		
27	VOE20768519	12	12						•Exhaust valve		
28	VOE20864662	24	24						•Valve seal		
29	VOE21310068	24	24						•Valve spring		OUTER
30	VOE3183211	12	12						•Valve spring		EXHAUST, INNER
31	VOE20510743	24	24						•Valve spring washer		
32	VOE20510747	48	48						•Valve cotter		
33	VOE1546528	1	1						•Plug		
34	VOE1547252	1	1						•Sealing ring		
35	VOE1546531	1	1						•Lock brace		
36	VOE947107	1	1						•Flange screw		
37	VOE13966143	1	1						•Plug		
38	VOE13947622	1	1						•Plane gasket		
39	VOE20908338	2							•Guide		
39	VOE20908338		2						Guide		

1) Replacement version

Date: 2014/3/11	Image id: 1057066	Catalogue: 20600	Model: L220G
Brand: Volvo	Serial: 9001-, 12004-	Group/Section: 212/100	Title: Cylinder block



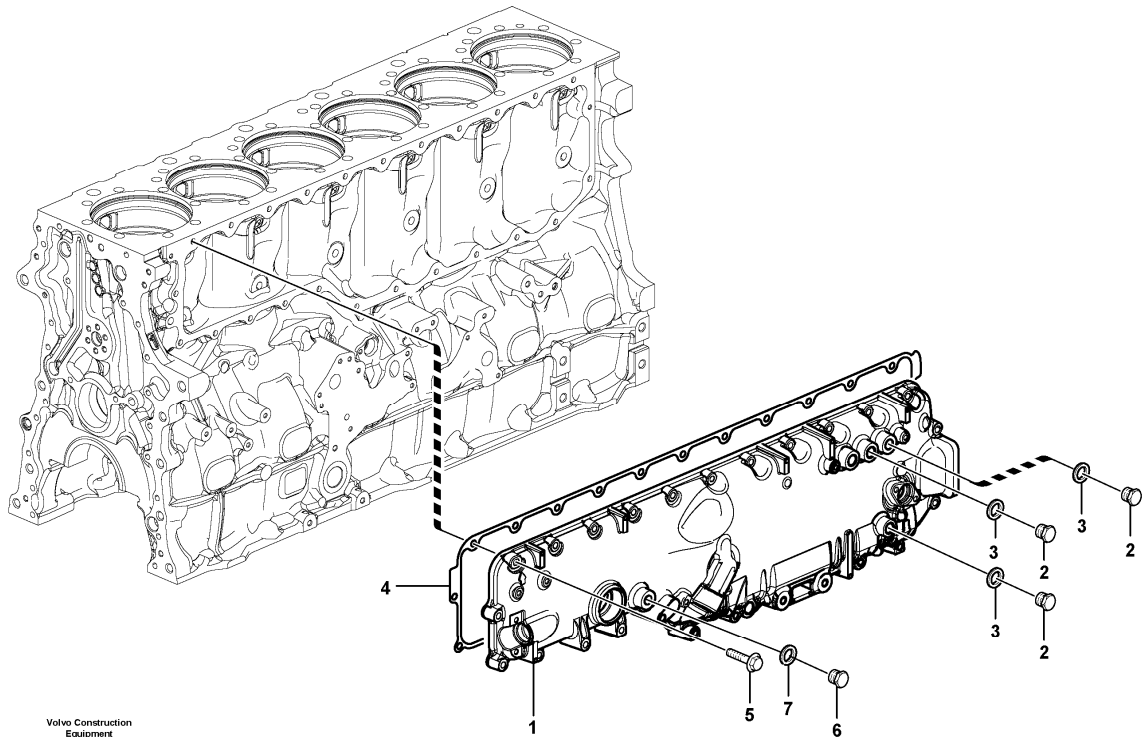
Section option	Kit	Option description
VOE15049437		Engine D13F-C
VOE15049439		Engine D13H-E TIER 4I, US
VOE15117870		Engine D13H-F STAGE 3B, EU
VOE85420		Engine D13H (TIER 4I) WITH ASSOCIATED EQUIPMENT
VOE85421		Engine D13H (STAGE IIIB) WITH ASSOCIATED EQUIPMENT
VOE85424		Engine D13F WITH ASSOCIATED EQUIPMENT

Q1-Q5	Option	Option description	
Q1 15049439 15117870	VOE15049439	Engine D13H-E TIER 4I, US	
Q2 15049437	VOE15049437	Engine D13F-C	

Pos	Part	Q1	Q2	Q3	Q4	Q5	PS	Kit	Description	Option(s)	Remark
1	VOE21048297	1	1						Cylinder block		
2	VOE8148427	5	5				NS		•Main Bearing Cap		1, 2, 3, 5, 6

3	VOE8148428	1	1				NS		•Main Bearing Cap		4
4	VOE20511488	1	1				NS		•Main Bearing Cap		7
5	VOE21345129	14	14						•Screw		
6	VOE422426	1	1						•Pin		
7	VOE984793	3	3						Plug		
8	VOE946441	2	2						Flange screw		
9	VOE947541	2	2						Washer		
10	VOE20567779	1	1						Plug		
11	VOE1547255	1	1						Sealing ring		
12	VOE20844430	1	1						Lock brace		
13	VOE946440	1	1						Flange screw		
14	VOE20499612	1	1						Frame		
15	VOE946472	24	24						Flange screw		

Date: 2014/3/11	Image id: 1057070	Catalogue: 20600	Model: L220G
Brand: Volvo	Serial: 9001-, 12004-	Group/Section: 212/200	Title: Cover

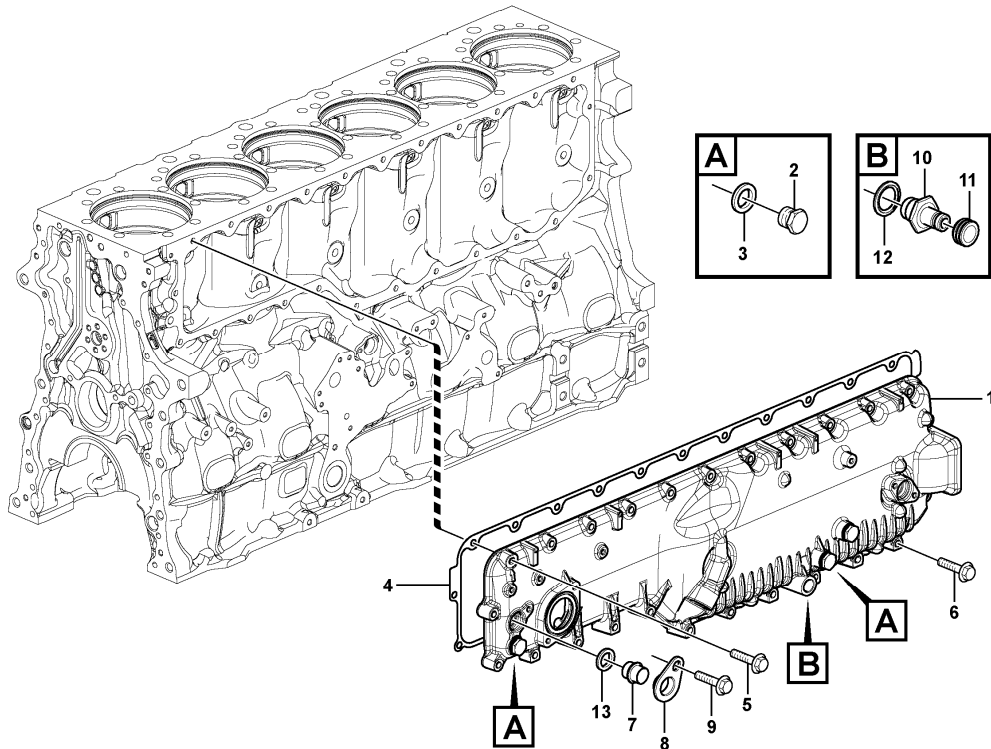


Section option	Kit	Option description
VOE15049439		Engine D13H-E TIER 4I, US
VOE15117870		Engine D13H-F STAGE 3B, EU
VOE85420		Engine D13H (TIER 4I) WITH ASSOCIATED EQUIPMENT
VOE85421		Engine D13H (STAGE IIIB) WITH ASSOCIATED EQUIPMENT

Q1-Q5	Option	Option description	
Q1 15049439 15117870	VOE15049439	Engine D13H-E TIER 4I, US	

Pos	Part	Q1	Q2	Q3	Q4	Q5	PS	Kit	Description	Option(s)	Remark
1	VOE21677248	1							Cover		
2	VOE21666520	3							•Plug		
3	VOE21024032	3							•Sealing ring		
4	VOE21294062	1							Gasket		
5	VOE13948217	14							Screw		L = 45 mm

Date: 2014/3/11	Image id: 1059722	Catalogue: 20600	Model: L220G
Brand: Volvo	Serial: 9001-, 12004-	Group/Section: 212/210	Title: Cover



Volvo Construction
Equipment
1059722

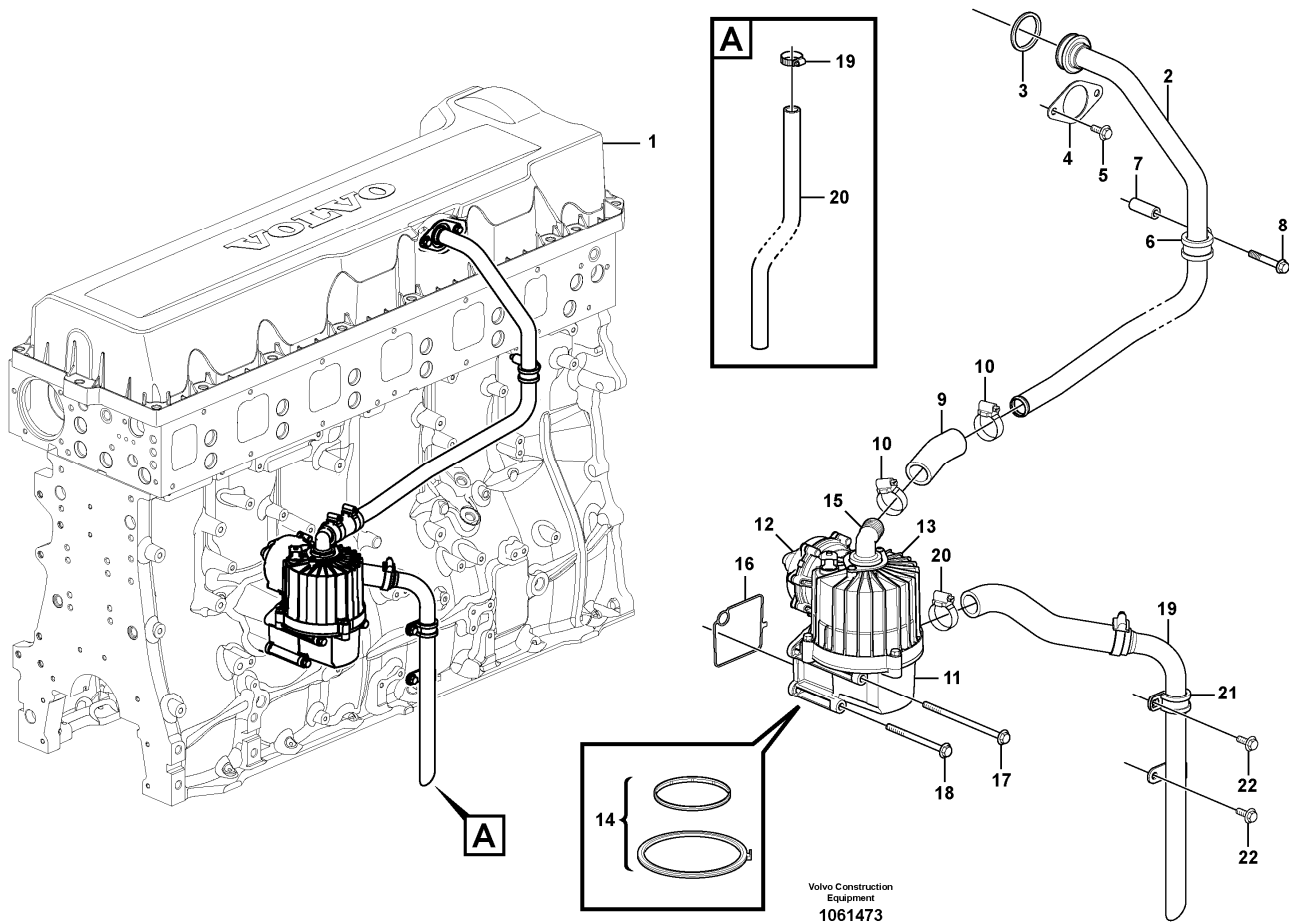
Section option	Kit	Option description
VOE15049437		Engine D13F-C
VOE85424		Engine D13F WITH ASSOCIATED EQUIPMENT

Q1-Q5	Option	Option description	
Q1 15049437	VOE15049437	Engine D13F-C	

Pos	Part	Q1	Q2	Q3	Q4	Q5	PS	Kit	Description	Option(s)	Remark
1	VOE21677250	1							Cover		
2	VOE21666520	3							•Plug		
3	VOE21024032	3							•Sealing ring		
4	VOE21294062	1							Gasket		
5	VOE13948217	16							Screw		M8X45
6	VOE13965180	9							Screw		M8X60
7	VOE20845995	1							Plug		
8	VOE20718731	1							Yoke		

9	VOE946440	1							Flange screw		
10	VOE1676622	1							Nipple		
11	VOE476279	1							Protecting cap		
12	VOE979099	1							Gasket		
13	VOE1547252	1							Sealing ring		

Date: 2014/3/11	Image id: 1061473	Catalogue: 20600	Model: L220G
Brand: Volvo	Serial: 9001-, 12004-	Group/Section: 212/300	Title: Crankcase ventilation



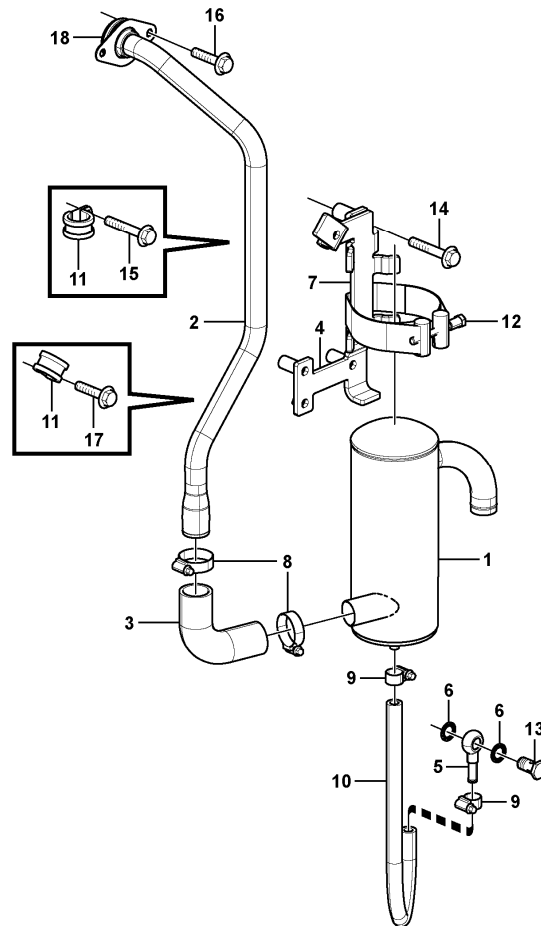
Section option	Kit	Option description
VOE15049439		Engine D13H-E TIER 4I, US
VOE15117870		Engine D13H-F STAGE 3B, EU
VOE85420		Engine D13H (TIER 4I) WITH ASSOCIATED EQUIPMENT
VOE85421		Engine D13H (STAGE IIIB) WITH ASSOCIATED EQUIPMENT

Q1-Q5	Option	Option description
Q1 15049439 15117870	VOE15049439	Engine D13H-E TIER 4I, US

Pos	Part	Q1	Q2	Q3	Q4	Q5	PS	Kit	Description	Option(s)	Remark
1		1							Valve Cover		See ref 214/100
2	VOE3595090	1							Breather pipe		
3	VOE20493974	1							Sealing ring		
4	VOE3849250	1							Flange		
5	VOE946440	2							Flange screw		

6	VOE13977600	1							Clamp		
7	VOE807257	1							Spacer sleeve		
8	VOE13965216	1							Screw		
9	VOE20580933	1							Hose		L = 80 mm
10	VOE994560	2							Hose clamp		
11	VOE21122541	1							Oil separator		
12	VOE20586427	1							•Valve		
13	VOE21475228	1							•Spare parts kit		
14	VOE21475236	1							•Spare parts kit		
15	VOE20586428	1							•Nipple		
16	VOE20532891	1							Gasket		
17	VOE968892	2							Flange screw		
18	VOE13965184	2							Flange screw		
19	VOE21196220	1							Pipe		
20	VOE994560	1							Hose clamp		
21	VOE13977600	1							Clamp		
22	VOE946440	2							Flange screw		

Date: 2014/3/11	Image id: 1058213	Catalogue: 20600	Model: L220G
Brand: Volvo	Serial: 9001-, 12004-	Group/Section: 212/310	Title: Crankcase ventilation



Volvo Construction
Equipment
1058213

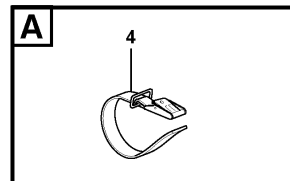
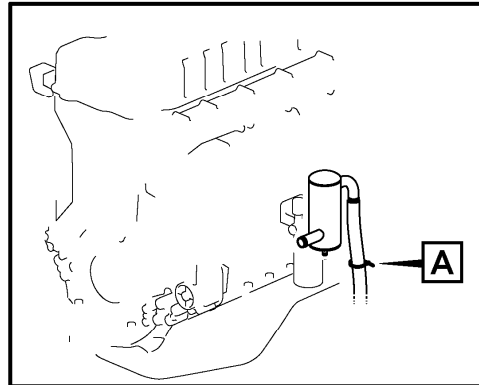
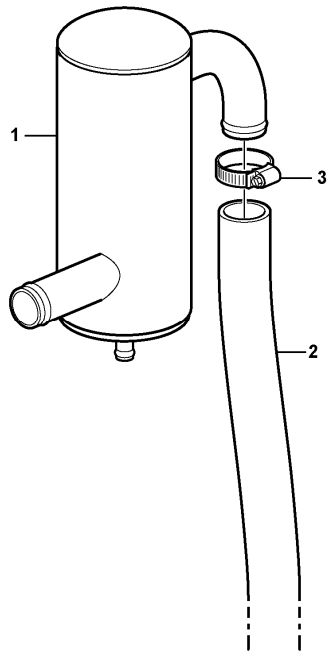
Section option	Kit	Option description
VOE15049437		Engine D13F-C
VOE85424		Engine D13F WITH ASSOCIATED EQUIPMENT

Q1-Q5	Option	Option description
Q1 15049437	VOE15049437	Engine D13F-C

Pos	Part	Q1	Q2	Q3	Q4	Q5	PS	Kit	Description	Option(s)	Remark
1	VOE11033878	1							Oil trap		
2	VOE15122541	1							Breather pipe		
3	VOE11128756	1							Hose		
4	VOE1545256	1							Tensioning Band		
5	VOE11423224	1							Tube		
6	VOE20852764	2							Sealing ring		
7	VOE15155993	1					NS		Bracket		
8	VOE994560	2							Hose clamp		

9	VOE994556	2							Hose clamp		
10	VOE983342	REQ							Hose		L = 465 mm
11	VOE947827	2							Clamp		
12	VOE1545257	1							Screw		
13	VOE991048	1							Hollow screw		
14	VOE13965179	3							Screw		
15	VOE965180	1							Flange screw		
16	VOE946440	2							Flange screw		
17	VOE13946173	1							Screw		
18	VOE20493974	1							Sealing ring		

Date: 2014/3/11	Image id: 1060905	Catalogue: 20600	Model: L220G
Brand: Volvo	Serial: 9001-, 12004-	Group/Section: 212/350	Title: Crankcase ventilation 85424

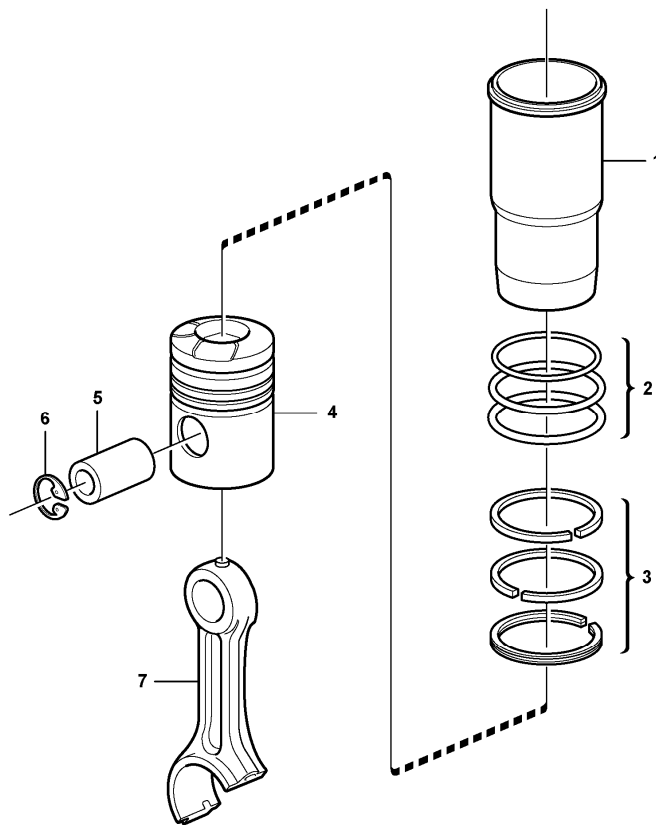


Volvo Construction
Equipment
1060905

Section option	Kit	Option description
VOE85424		Engine D13F WITH ASSOCIATED EQUIPMENT

Pos	Part	Q1	Q2	Q3	Q4	Q5	PS	Kit	Description	Option(s)	Remark
1		1							Oil Trap		See ref 212/310
2	VOE13942707	REQ							Hose		L = 1400 mm
3	VOE943476	1							Hose clamp		
4	VOE11104606	1							Retaining strap		L = 350 mm

Date: 2014/3/11	Image id: 1056412	Catalogue: 20600	Model: L220G
Brand: Volvo	Serial: 9001-, 12004-	Group/Section: 213/100	Title: Cylinder liner and piston



Volvo Construction
Equipment
1056412

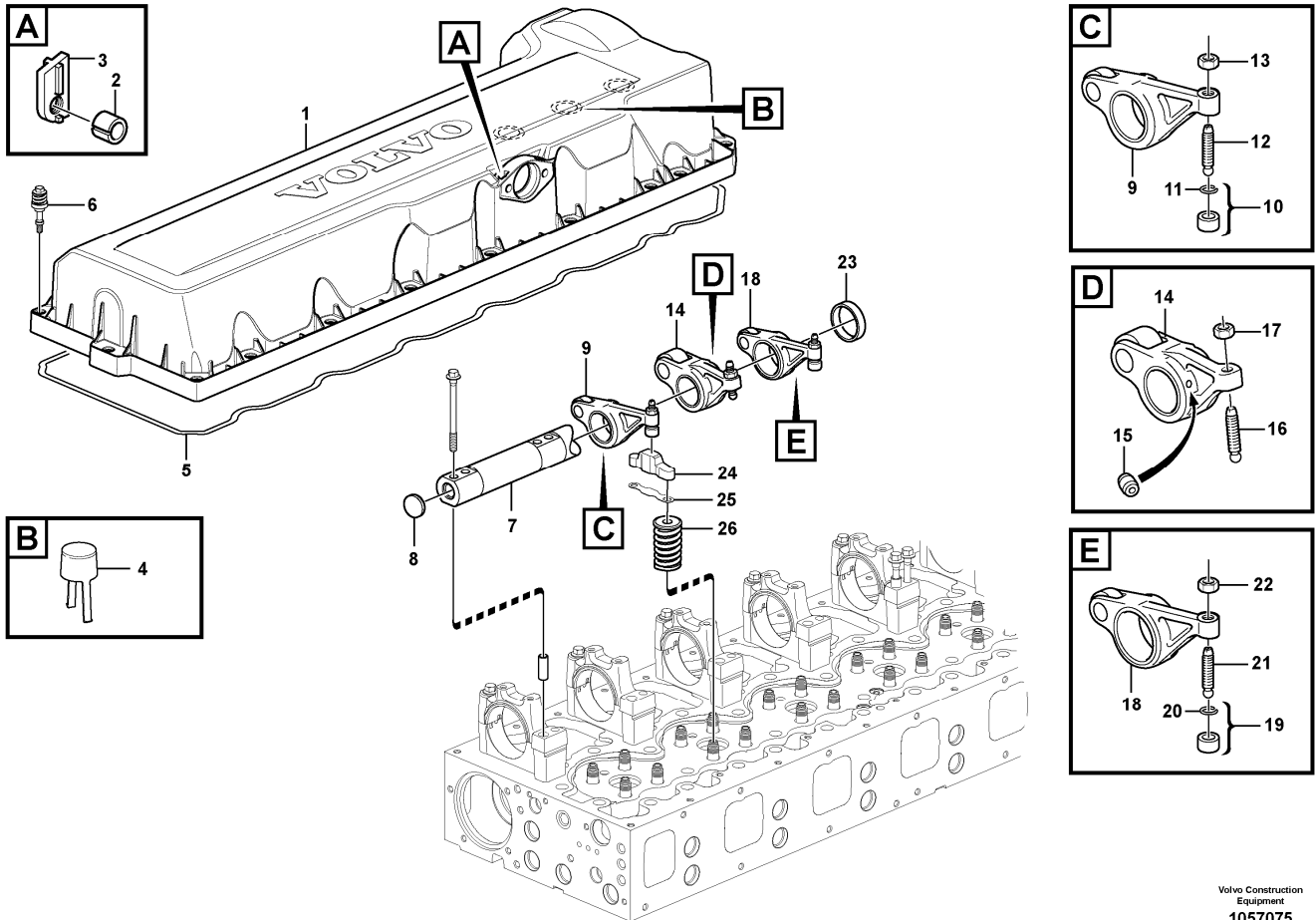
Section option	Kit	Option description
VOE15049437		Engine D13F-C
VOE15049439		Engine D13H-E TIER 4I, US
VOE15117870		Engine D13H-F STAGE 3B, EU
VOE85420		Engine D13H (TIER 4I) WITH ASSOCIATED EQUIPMENT
VOE85421		Engine D13H (STAGE IIIB) WITH ASSOCIATED EQUIPMENT
VOE85424		Engine D13F WITH ASSOCIATED EQUIPMENT

Q1-Q5	Option	Option description	
Q1 15049439 15117870	VOE15049439	Engine D13H-E TIER 4I, US	
Q2 15049437	VOE15049437	Engine D13F-C	

Pos	Part	Q1	Q2	Q3	Q4	Q5	PS	Kit	Description	Option(s)	Remark
1	VOE21330684	6							Cylinder liner kit		KIT
1	VOE21209650		6						Cylinder liner kit		KIT

2	VOE270950	6	6						•Sealing kit		
	VOE470922	6	6						••Seal Ring		UPPER
	VOE470190	12	12				NS		••Sealing ring		CENTRE
	VOE270950	6	6						••Sealing kit		LOWER
3	VOE21253763	6	6						•Piston ring kit		
	VOE21251596	6	6				NS		••Compression ring		UPPER
	VOE20590309	6	6				NS		••Compression ring		LOWER
	VOE20568155	6	6						••Oil scraper ring		
4	VOE21170742	6					SE		•Piston		
4	VOE21105177		6				SE		•Piston		
5	VOE20569833	6	6				SE		•Piston Pin		
6	VOE914531	12	12						•Retaining ring		
7		6	6						Connecting rod		See ref 216/100

Date: 2014/3/11	Image id: 1057075	Catalogue: 20600	Model: L220G
Brand: Volvo	Serial: 9001-, 12004-	Group/Section: 214/100	Title: Valve mechanism



Volvo Construction
Equipment
1057075

Section option	Kit	Option description
VOE15049437		Engine D13F-C
VOE15049439		Engine D13H-E TIER 4I, US
VOE15117870		Engine D13H-F STAGE 3B, EU
VOE85420		Engine D13H (TIER 4I) WITH ASSOCIATED EQUIPMENT
VOE85421		Engine D13H (STAGE IIIB) WITH ASSOCIATED EQUIPMENT
VOE85424		Engine D13F WITH ASSOCIATED EQUIPMENT

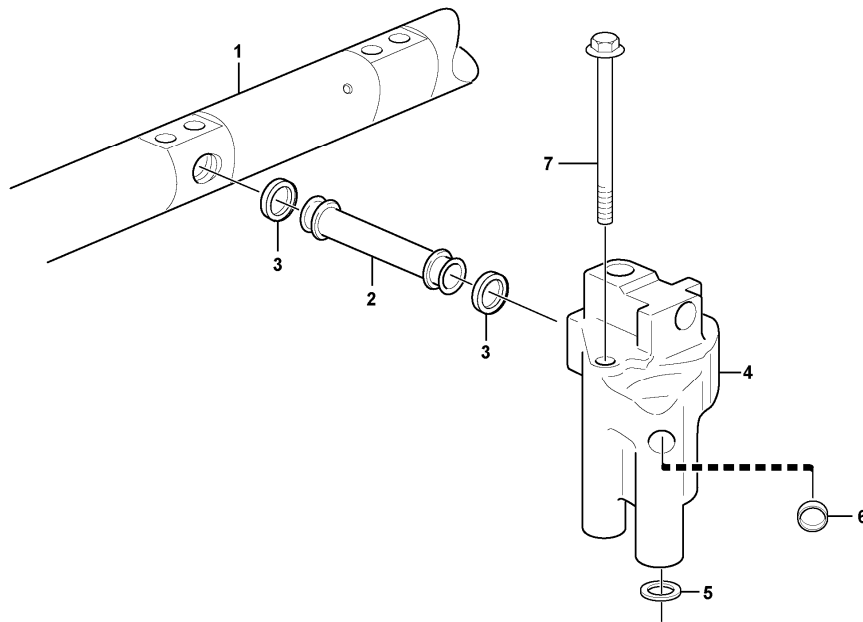
Q1-Q5	Option	Option description	
Q1 15049439 15117870	VOE15049439	Engine D13H-E TIER 4I, US	
Q2 15049437	VOE15049437	Engine D13F-C	

Pos	Part	Q1	Q2	Q3	Q4	Q5	PS	Kit	Description	Option(s)	Remark
1	VOE20740683	1	1						Valve cover		
2	VOE20450320	2	2						•Spacer sleeve		

3	VOE24427518	2	2						•Nut washer		
4	VOE8131751	3	3						•Draining bowl		
5	VOE20538793	1	1						Sealing strip		
6	VOE20739547	20	20						Flange screw		
7	VOE20510623	1	1						Rocker arm shaft		
8	VOE980176	2	2						•Expansion plug		
9	VOE21260905	6							Rocker arm		INLET
9	VOE21161213		6						Rocker arm		INLET
10	VOE21054149	6	6						•Ball socket		
11	VOE944364	6	6						••O-ring		
12	VOE1546458	6	6						•Ball stud		
13	VOE13946911	6	6						•Nut		
14	VOE21266310	6							Rocker arm		INJECTOR
14	VOE21089229		6						Rocker arm		INJECTOR
15	VOE3964817	12	12						•Jet		
16	VOE1546775	1	1						•Ball stud		
17	VOE1677396	1	1						•Hexagon nut		
18	VOE21024789	6	6						Rocker arm		EPG
19	VOE21054149	6	6						•Ball socket		
20	VOE944364	6	6						••O-ring		
21	VOE1546458	6	6						•Ball stud		
22	VOE13946911	6	6						•Nut		
23	VOE20514249	6	6						Sleeve		
24	VOE3183207	12	12						Valve cap		
25	VOE1547967	REQ	REQ						Shim		THICK = 2,00 mm
25	VOE1547968	REQ	REQ						Shim		THICK = 2,05 mm
25	VOE1547969	REQ	REQ						Shim		THICK = 2,10 mm
25	VOE1547970	REQ	REQ						Shim		THICK = 2,15 mm
25	VOE1547971	REQ	REQ						Shim		THICK = 2,20 mm
25	VOE1547972	REQ	REQ						Shim		THICK = 2,25 mm
25	VOE1547973	REQ	REQ						Shim		THICK = 2,30 mm
25	VOE1547974	REQ	REQ						Shim		THICK = 2,35 mm
25	VOE1547975	REQ	REQ						Shim		THICK = 2,40 mm
25	VOE1547976	REQ	REQ						Shim		THICK = 2,45 mm
25	VOE1547977	REQ	REQ						Shim		THICK = 2,50 mm
25	VOE1547978	REQ	REQ						Shim		THICK = 2,55 mm
25	VOE1547979	REQ	REQ						Shim		THICK = 2,60 mm
25	VOE1547980	REQ	REQ						Shim		THICK = 2,65 mm
25	VOE1547981	REQ	REQ						Shim		THICK = 2,70 mm
25	VOE1547982	REQ	REQ						Shim		THICK = 2,75 mm
25	VOE1547983	REQ	REQ						Shim		THICK = 2,80 mm
25	VOE1547984	REQ	REQ						Shim		THICK = 2,85 mm
25	VOE1677347	REQ	REQ						Shim		THICK = 2,90 mm
25	VOE1677348	REQ	REQ						Shim		THICK = 2,95 mm
25	VOE1677349	REQ	REQ						Shim		THICK = 3,00 mm
25	VOE1677350	REQ	REQ						Shim		THICK = 3,05 mm
25	VOE1677351	REQ	REQ						Shim		THICK = 3,10 mm

25	VOE1677352	REQ	REQ						Shim		THICK = 3,15 mm
25	VOE1677353	REQ	REQ						Shim		THICK = 3,20 mm
25	VOE1677354	REQ	REQ						Shim		THICK = 3,25 mm
25	VOE1677355	REQ	REQ						Shim		THICK = 3,30 mm
25	VOE1677356	REQ	REQ						Shim		THICK = 3,35 mm
25	VOE1677357	REQ	REQ						Shim		THICK = 3,40 mm
25	VOE1677358	REQ	REQ						Shim		THICK = 3,45 mm
25	VOE1677359	REQ	REQ						Shim		THICK = 3,50 mm
25	VOE1677360	REQ	REQ						Shim		THICK = 3,55 mm
25	VOE1677361	REQ	REQ						Shim		THICK = 3,60 mm
25	VOE1677362	REQ	REQ						Shim		THICK = 3,65 mm
25	VOE1677363	REQ	REQ						Shim		THICK = 3,70 mm
25	VOE1677364	REQ	REQ						Shim		THICK = 3,75 mm
25	VOE1677365	REQ	REQ						Shim		THICK = 3,80 mm
25	VOE1677366	REQ	REQ						Shim		THICK = 3,85 mm
25	VOE1677367	REQ	REQ						Shim		THICK = 3,90 mm
25	VOE1677368	REQ	REQ						Shim		THICK = 3,95 mm
26		12	12						Valve Spring		See ref 211/200

Date: 2014/3/11	Image id: 1057172	Catalogue: 20600	Model: L220G
Brand: Volvo	Serial: 9001-, 12004-	Group/Section: 214/200	Title: Intermediate housing VCB



Volvo Construction
Equipment
1057172

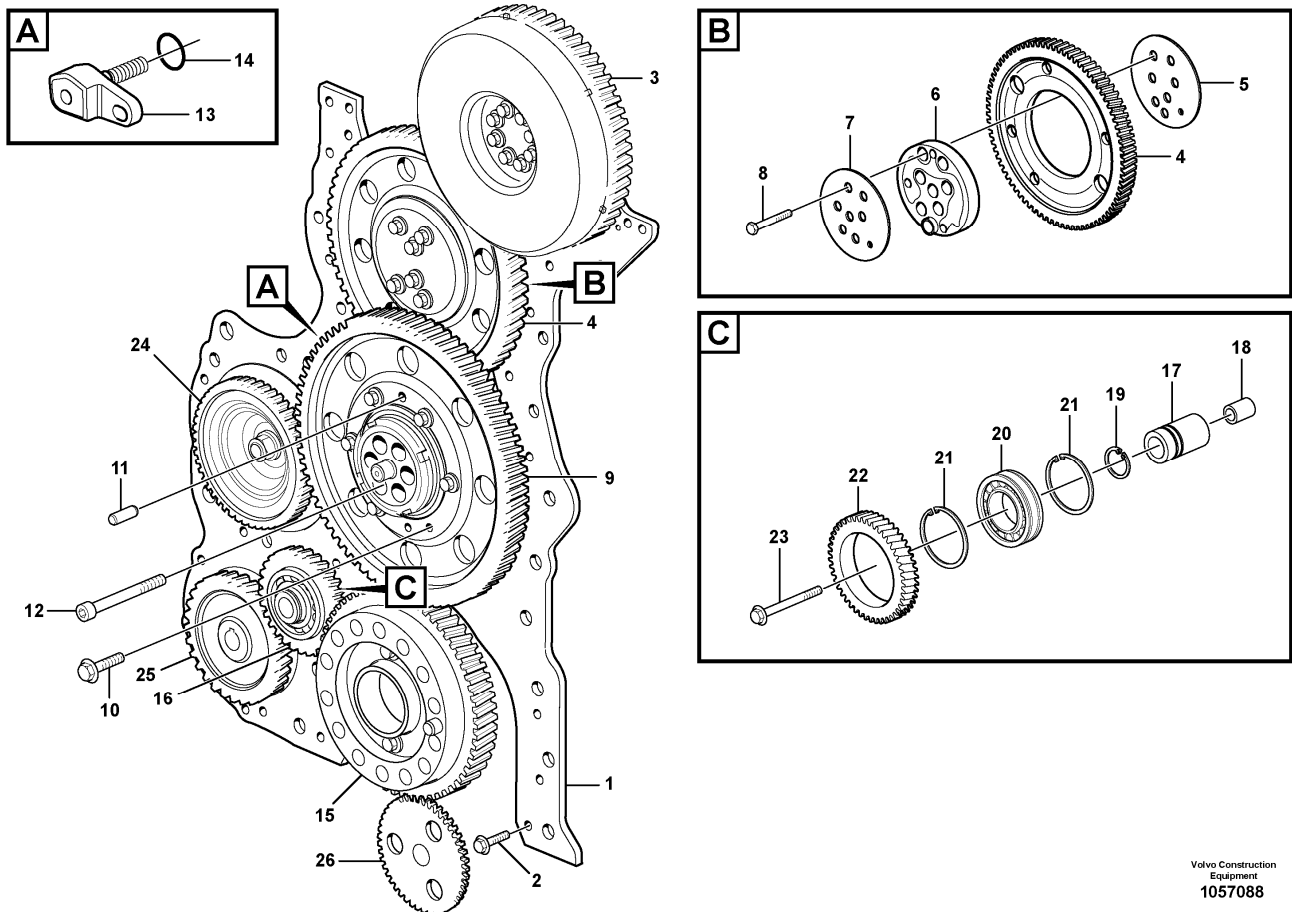
Section option	Kit	Option description
VOE15049437		Engine D13F-C
VOE15049439		Engine D13H-E TIER 4I, US
VOE15117870		Engine D13H-F STAGE 3B, EU
VOE85420		Engine D13H (TIER 4I) WITH ASSOCIATED EQUIPMENT
VOE85421		Engine D13H (STAGE IIIB) WITH ASSOCIATED EQUIPMENT
VOE85424		Engine D13F WITH ASSOCIATED EQUIPMENT

Q1-Q5	Option	Option description	
Q1 15049439 15117870	VOE15049439	Engine D13H-E TIER 4I, US	
Q2 15049437	VOE15049437	Engine D13F-C	

Pos	Part	Q1	Q2	Q3	Q4	Q5	PS	Kit	Description	Option(s)	Remark
1		1	1						Rkr Arm Shaft		See ref 214/100
2	VOE21590460	1	1						Outlet pipe		

3	VOE1677370	2	2						Sealing ring		
4	VOE21105100	1	1						Intermediate housing		
5	VOE20526428	1	1						•Sealing ring		
6	VOE955082	1	1						•Cap plug		
7	VOE969225	2	2						Flange screw		

Date: 2014/3/11	Image id: 1057088	Catalogue: 20600	Model: L220G
Brand: Volvo	Serial: 9001-, 12004-	Group/Section: 215/100	Title: Timing gear



Volvo Construction
Equipment
1057088

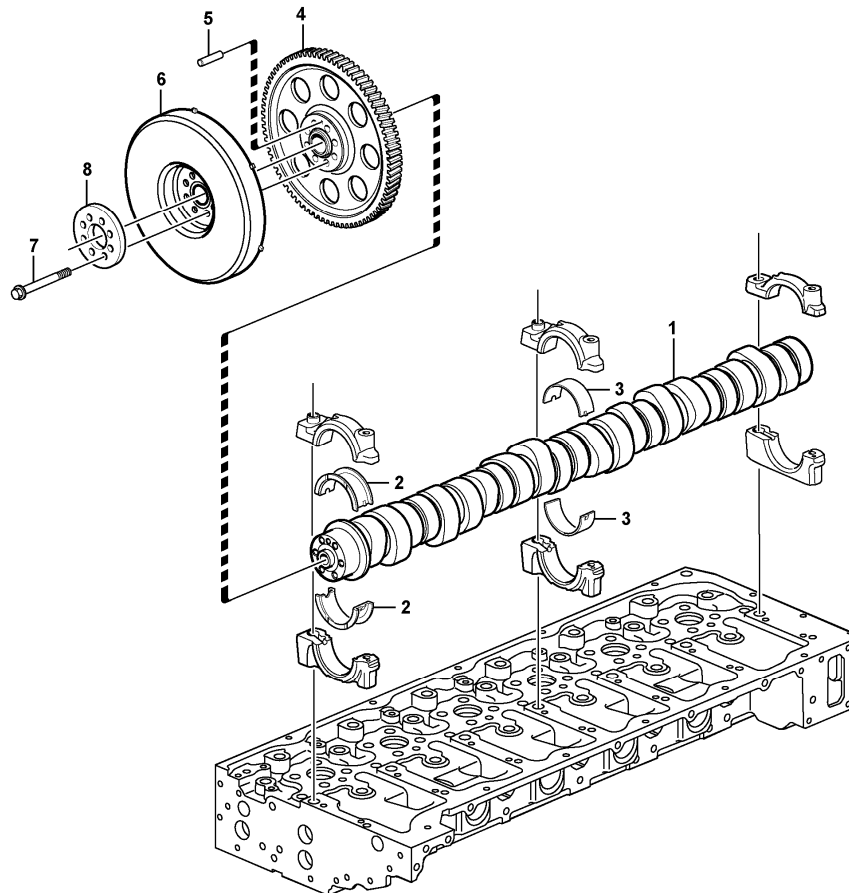
Section option	Kit	Option description
VOE15049437		Engine D13F-C
VOE15049439		Engine D13H-E TIER 4I, US
VOE15117870		Engine D13H-F STAGE 3B, EU
VOE85420		Engine D13H (TIER 4I) WITH ASSOCIATED EQUIPMENT
VOE85421		Engine D13H (STAGE IIIB) WITH ASSOCIATED EQUIPMENT
VOE85424		Engine D13F WITH ASSOCIATED EQUIPMENT

Q1-Q5	Option	Option description	
Q1 15049439 15117870	VOE15049439	Engine D13H-E TIER 4I, US	
Q2 15049437	VOE15049437	Engine D13F-C	

Pos	Part	Q1	Q2	Q3	Q4	Q5	PS	Kit	Description	Option(s)	Remark
1	VOE21241959	1	1						Timing gear plate		
2	VOE13945444	29	29						Screw		

3		1	1						Gear		CAMSHAFT See ref 215/200
4	VOE20850724	1	1						Idler gear		
5	VOE20487667	1	1						Thrust washer		
6	VOE20531647	1	1						Hub		
7	VOE20487676	1	1						Bearing shield		
8	VOE974615	6	6						Flange screw		
9	VOE21057051	1	1						Idler gear		
10	VOE471586	6	6						•Screw		
11	VOE950564	2	2						•Pin		
12	VOE20483919	6	6						Hex. socket screw		
13	VOE20531962	1	1						Screw		
14	VOE943177	1	1						O-ring		
15		1	1						Gear		CRANKSHAFT See ref 216/100
16	VOE21284769	1	1						Idler gear		
17	VOE21309998	1	1				NS		•Axle		
18	VOE20508239	1	1				NS		•Giude		
19	VOE914465	1	1						•Retaining ring		
20	VOE21284550	1	1				NS		•Roller Bearing		
21	VOE945504	2	2				NS		•Snap Ring		
22	VOE8131291	1	1				NS		•Idler Gear		
23	VOE21050240	1	1						Flange screw		
24	VOE8131848	1							Gear		COMPRESSOR
25		1	1						Gear		FUEL PUMP See ref 235/200
26		1	1						Oil Pump		See ref 221/200

Date: 2014/3/11	Image id: 1019613	Catalogue: 20600	Model: L220G
Brand: Volvo	Serial: 9001-, 12004-	Group/Section: 215/200	Title: Camshaft



Volvo Construction
Equipment
1019613

Section option	Kit	Option description
VOE15049437		Engine D13F-C
VOE15049439		Engine D13H-E TIER 4I, US
VOE15117870		Engine D13H-F STAGE 3B, EU
VOE85420		Engine D13H (TIER 4I) WITH ASSOCIATED EQUIPMENT
VOE85421		Engine D13H (STAGE IIIB) WITH ASSOCIATED EQUIPMENT
VOE85424		Engine D13F WITH ASSOCIATED EQUIPMENT

Q1-Q5	Option	Option description	
Q1 15049439 15117870	VOE15049439	Engine D13H-E TIER 4I, US	
Q2 15049437	VOE15049437	Engine D13F-C	

Pos	Part	Q1	Q2	Q3	Q4	Q5	PS	Kit	Description	Option(s)	Remark
1	VOE21219818	1							Camshaft		
1	VOE21154172		1						Camshaft		

Thank you so much for reading.
Please click the “Buy Now!”
button below to download the
complete manual.



After you pay.

You can download the most
perfect and complete manual in
the world immediately.

Our support email:

ebooklibonline@outlook.com