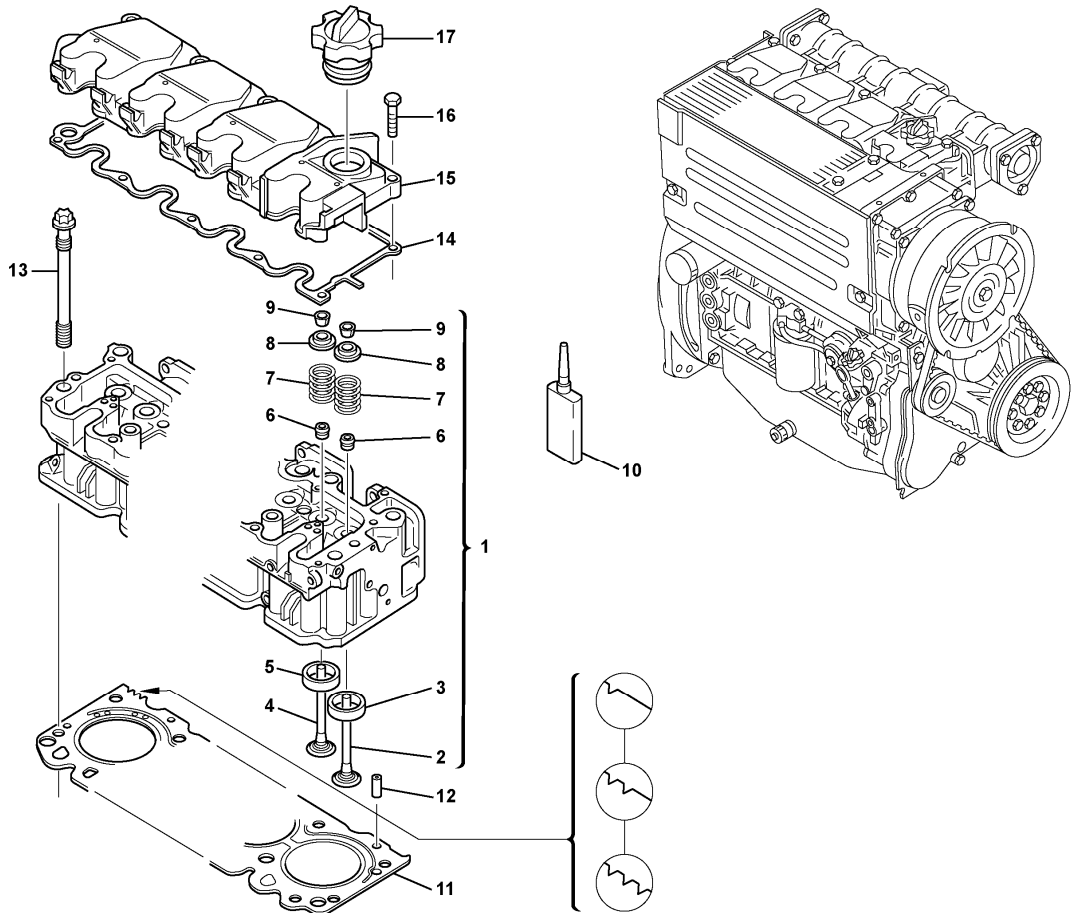


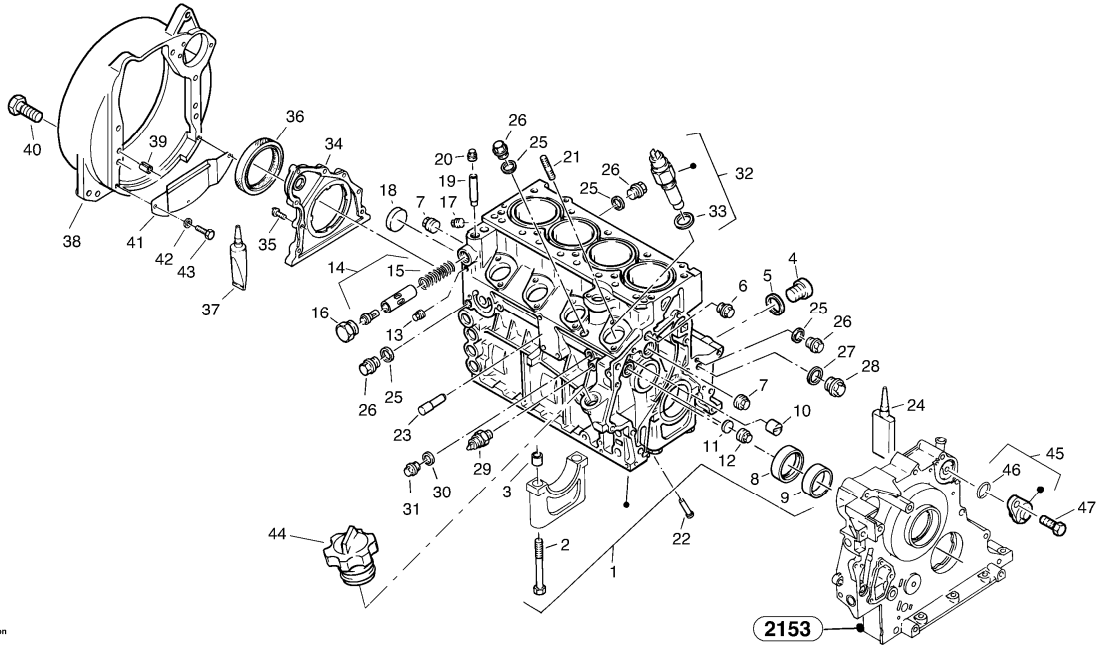
Date: <b>2013/11/5</b>	Image id: <b>1003087</b>	Catalogue: <b>20006</b>	Model: <b>L25B</b>
Brand: <b>Volvo</b>	Serial: <b>1750001-1750499</b>	Group/Section: <b>211/100</b>	Title: <b>Cylinder head</b>



Pos	Part	Q1	Q2	Q3	Q4	Q5	PS	Kit	Description	Option(s)	Remark
1	VOE11370182	1							Cylinder head		
2	ZM2908491	4							•Inlet valve		
3	VOE11370184	4					SS		•Valve seat ring		42,67 MM
3	VOE11370185	REQ							•Valve seat ring		42,87 MM
4	ZM2908492	4							•Exhaust Valve		
5	VOE11715770	4							•Valve seat ring		(VOE11370183)37,07 MM
5	ZM2290500	REQ							•Valve seat ring		37,27 MM
6	VOE20459855	8							•Valve seal		(ZM2904368)
7	ZM2904091	8							•Pressure spring		
8	VOE15053220	8							•Washer		(ZM2908493)
9	VOE20459857	16							•Valve sleeve		
10	ZM2903912	REQ					OP		Locking agent		
11	VOE11370140	REQ							Cylinder gasket head		1,48 MM

11	VOE11370141	REQ							Cylinder head gasket		1,55 MM
11	VOE11370142	REQ							Cylinder head gasket		1,60 MM
12	VOE21033924	2							Guide pin		(ZM2904093)
13	ZM2904092	10							Cylinder head screw		
14	ZM2904098	1							Gasket		
15	VOE11370139	1							Valve cover		
16	ZM2908485	10							Screw		M6X30
17	ZM2904064	1							Filler cap		

Date: <b>2013/11/5</b>	Image id: <b>1003146</b>	Catalogue: <b>20006</b>	Model: <b>L25B</b>
Brand: <b>Volvo</b>	Serial: <b>1750001-1750499</b>	Group/Section: <b>212/100</b>	Title: <b>Engine housing</b>

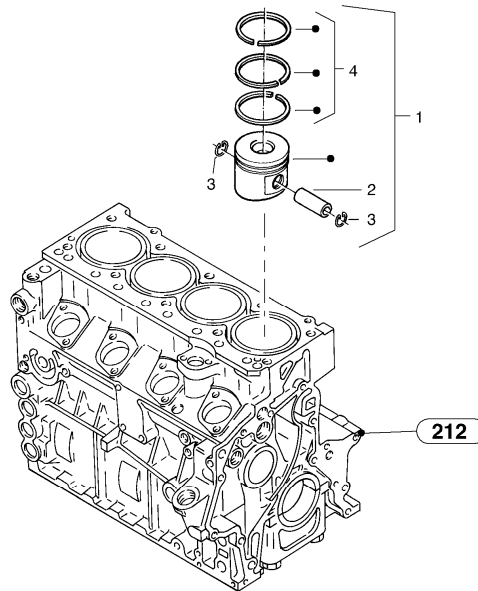


Volvo Construction  
Equipment  
1003146

Pos	Part	Q1	Q2	Q3	Q4	Q5	PS	Kit	Description	Option(s)	Remark
1	VOE11370114	1							Crankcase		
2	ZM2290540	8							•Hexagon screw		
3	ZM4010300	8							•Bushing		
4	VOE20459941	1							•Plug		
5	VOE20460061	1							•Sealing ring		
6	ZM2904050	1							•Screw plug		
7	ZM2908480	2							•Screw plug		
8	ZM2904048	2							•Bearing bush		
9	VOE20795762	3							•Bearing Bushing		
10	VOE15053296	2							•Guide sleeve		(ZM2290541)
11	VOE11370177	1							•Plug		
12	ZM2905346	2							•Screw plug		
13	VOE20860215	1							•Screw		(ZM2905340)
14	ZM2904169	1							•Thermostat		
15	ZM2904053	1							••Pressure spring		
16	ZM2905345	1							•Screw plug		
17	ZM20405718	1							•Screw plug		
18	VOE11370179	1							•Cover		
19	ZM2904051	1							•Tube		
20	ZM2905344	1							•Screw plug		

21	VOE11715739	8							Stud		(VOE11370178)
22	ZM2904056	8							Piston cooling jet		
23	ZM2904057	1							Pin		
24	ZM2903912	REQ					OP		Locking agent		
25	VOE11700631	4							Sealing ring		
26	VOE960628	4							Plug		(VOE20405556)
27	VOE20542740	1							Sealing ring		(VOE11700303)
28	VOE20405506	1							Plug		
29	ZM2905379	1							Oil pressure switch		
30	VOE11305512	1							Lock plug		(ZM7099401)
31	VOE20542740	1							Sealing ring		(VOE11700303)
32	ZM2904059	1							Temperature transmitter		
33	ZM7099503	1					SS		Seal		
34	ZM2292219	1							Cover rear		
35	ZM2290455	8							Screw		
36	ZM2292220	1							Radial seal		
37	ZM4084070	REQ							Sealant		
38	ZM2905335	1							Intermediate housing		
39	ZM2290547	2							Bushing		
40	VOE20554683	4							Screw		(VOE11370269)
41	ZM2290561	1							Cover plate		
42	VOE20460345	3					SS		Washer		
43	VOE20459986	3							Screw		
44	ZM2904064	1							Filler cap		
45	ZM2904065	1							Valve		
46	ZM2904066	1							•O-ring		
47	VOE11370258	1							Hexagon screw		

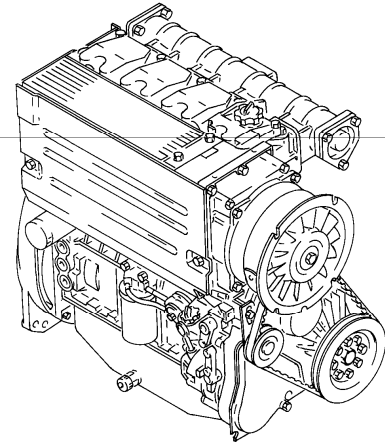
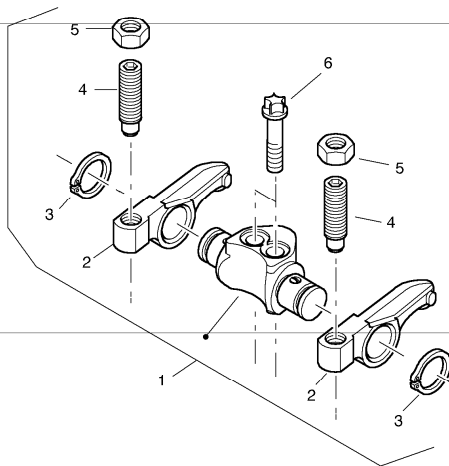
Date: <b>2013/11/5</b>	Image id: <b>1003083</b>	Catalogue: <b>20006</b>	Model: <b>L25B</b>
Brand: <b>Volvo</b>	Serial: <b>1750001-1750499</b>	Group/Section: <b>213/100</b>	Title: <b>Piston</b>



Volvo Construction  
Equipment  
1003083

Pos	Part	Q1	Q2	Q3	Q4	Q5	PS	Kit	Description	Option(s)	Remark
1	VOE11370137	4							Piston		KOMPRESSIONSKLASS E A
1	VOE11370138	4							Piston		KOMPRESSIONSKLASS E B
2	ZM2290427	1							•Bolt		
3	ZM2290428	2					SS		•Safety ring		C 26X1,5
4	VOE11370181	1							•Piston ring kit		

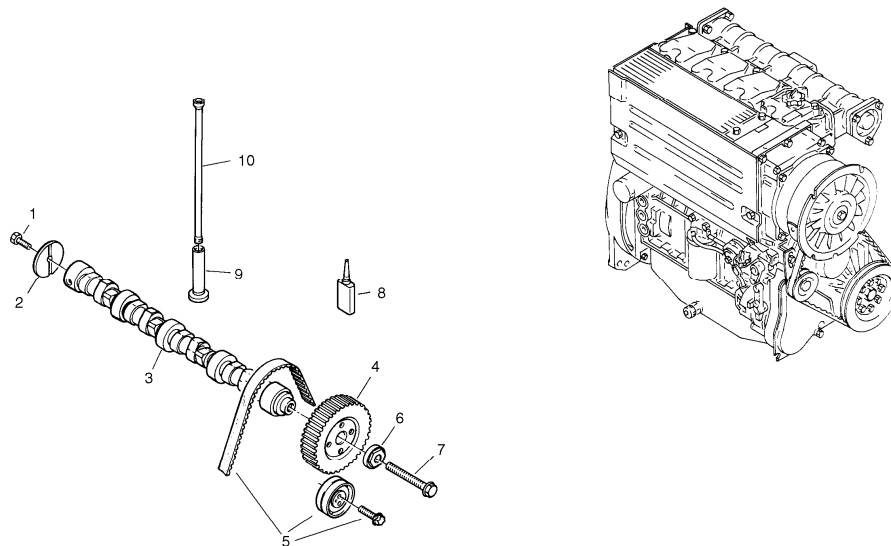
Date: <b>2013/11/5</b>	Image id: <b>1003088</b>	Catalogue: <b>20006</b>	Model: <b>L25B</b>
Brand: <b>Volvo</b>	Serial: <b>1750001-1750499</b>	Group/Section: <b>214/100</b>	Title: <b>Valve mechanism</b>



Volvo Construction  
Equipment  
1003088

Pos	Part	Q1	Q2	Q3	Q4	Q5	PS	Kit	Description	Option(s)	Remark
1	ZM2290529	4							Valve support	rocker	
2	ZM2290526	8							•Rocker Arm		
3	ZM7094952	8							•Safety ring		18X1,2
4	ZM2290527	8							•Adjusting screw		
5	VOE11700373	8							•Nut		
6	VOE20459853	8							Screw		

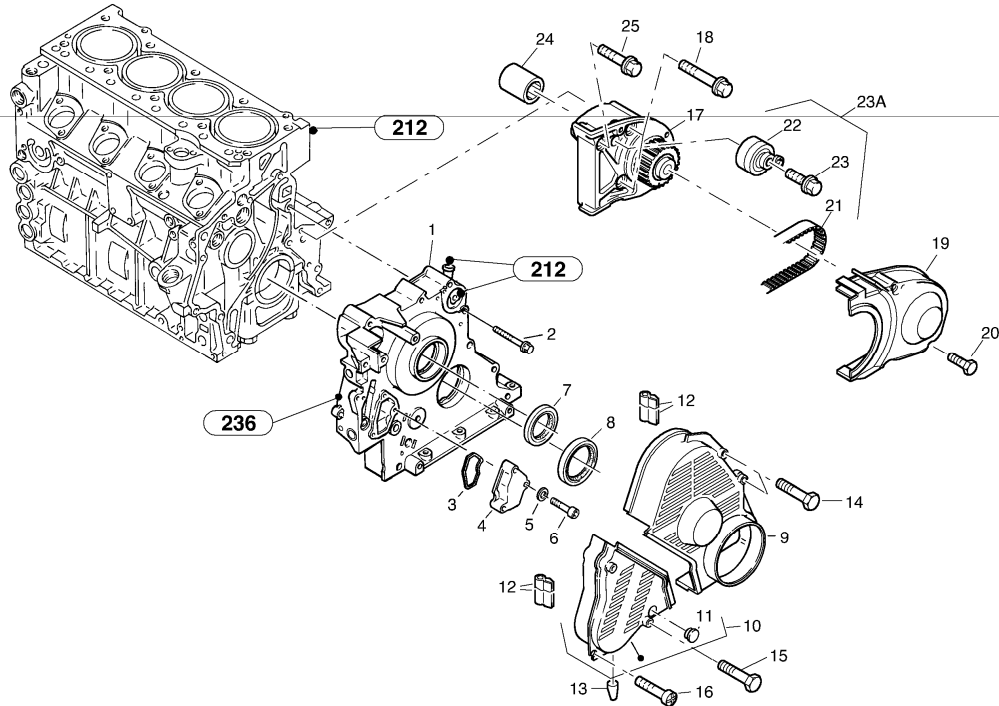
Date: <b>2013/11/5</b>	Image id: <b>00000079</b>	Catalogue: <b>20006</b>	Model: <b>L25B</b>
Brand: <b>Volvo</b>	Serial: <b>1750001-1750499</b>	Group/Section: <b>215/100</b>	Title: <b>Camshaft</b>



00000079

Pos	Part	Q1	Q2	Q3	Q4	Q5	PS	Kit	Description	Option(s)	Remark
1	VOE11700503	1							Screw		(ZM2908500)
2	ZM2290517	1							Spacer disc		
3	VOE11370186	1							Camshaft		
4	ZM2290519	1							Toothed belt wheel		
5	VOE11370193	1					SS		Repair kit		
6	ZM2290522	1							Washer		
7	VOE20797281	1							Hexagon screw		
8	ZM4084070	REQ							Sealant		
9	ZM2904101	8							Valve tappet		
10	ZM2290524	8							Push rod		

Date: <b>2013/11/5</b>	Image id: <b>1003416</b>	Catalogue: <b>20006</b>	Model: <b>L25B</b>
Brand: <b>Volvo</b>	Serial: <b>1750001-1750499</b>	Group/Section: <b>2153/100</b>	Title: <b>Timing gear housing (front cover)</b>



Volvo Construction  
Equipment  
1003416

Pos	Part	Q1	Q2	Q3	Q4	Q5	PS	Kit	Description	Option(s)	Remark
1	VOE11370257	1					SS		Service cover		
2	ZM2908498	11							Screw		
3	ZM2904068	1							Profil gasket		
4	ZM2904070	1							Cover		
5	VOE20459074	3							Washer		(VOE11700497)
6	VOE11370253	3							Screw		
7	ZM2291470	1							Seal		
8	ZM2290458	1							Seal		
9	VOE11370188	1							Protecting casing		See footnote 1415)
9	VOE11715974	1							Protecting casing		(VOE11370277)See footnote 1375)
10	VOE11370187	1							Protecting casing		
11	ZM2904072	1							•Plug		
12	VOE11370596	REQ							Sealing moulding		(VOE11370189)
13	VOE11370190	1							Rubber sleeve		
14	VOE11370191	3							Hexagon screw		
15	VOE11370192	2							Hexagon screw		
16	VOE20460068	1							Screw		
17	VOE11370649	1							Bracket		(VOE11370281)See footnote 1375)

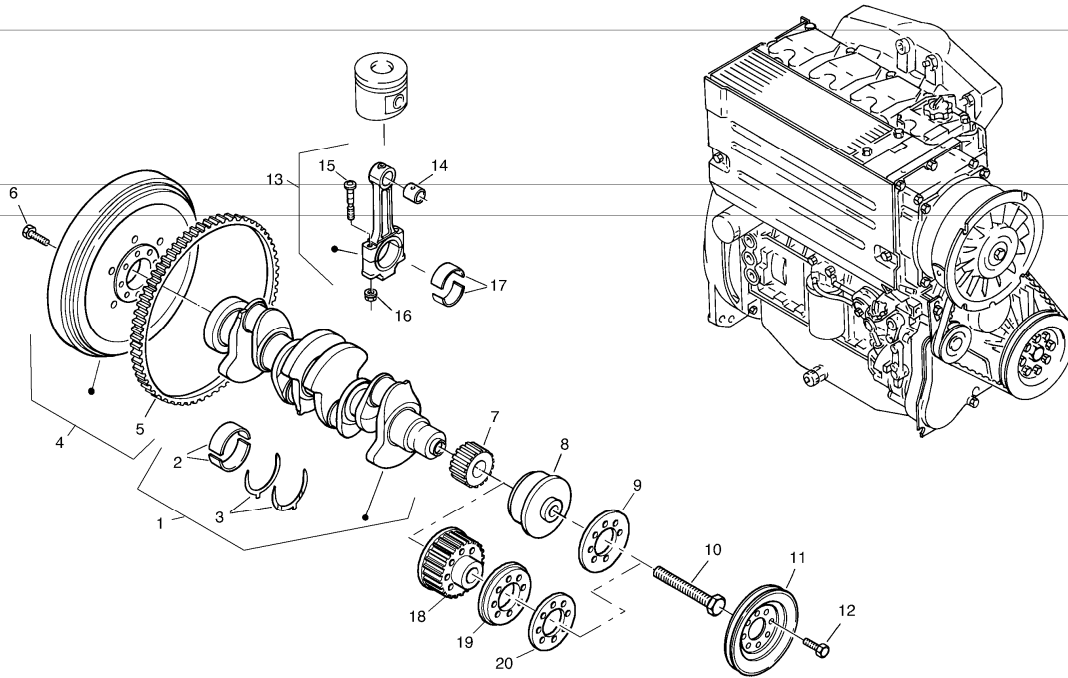


18	ZM2906901	2							Screw		See footnote 1375) M10X90
19	VOE11370276	1							Protecting casing		See footnote 1375)
20	VOE20534527	3							Screw		(VOE11370256)See footnote 1375) M6X25
21	VOE20945006	1							Repair Kit		(VOE11370275)See footnote 1375)
22	VOE20945006	1							Repair Kit		(VOE11370280)See footnote 1375)
23	ZM2908498	1							Screw		See footnote 1375) M8X60
24	VOE11370278	1							Engaging sleeve		See footnote 1375)
25	VOE20797178	1							Screw		(VOE11370279)See footnote 1375) M10X75

1375) only by auxiliary pump

1415) not by auxiliary pump

Date: <b>2013/11/5</b>	Image id: <b>1003091</b>	Catalogue: <b>20006</b>	Model: <b>L25B</b>
Brand: <b>Volvo</b>	Serial: <b>1750001-1750499</b>	Group/Section: <b>216/100</b>	Title: <b>Crankshaft</b>



Volvo Construction  
Equipment  
1003091

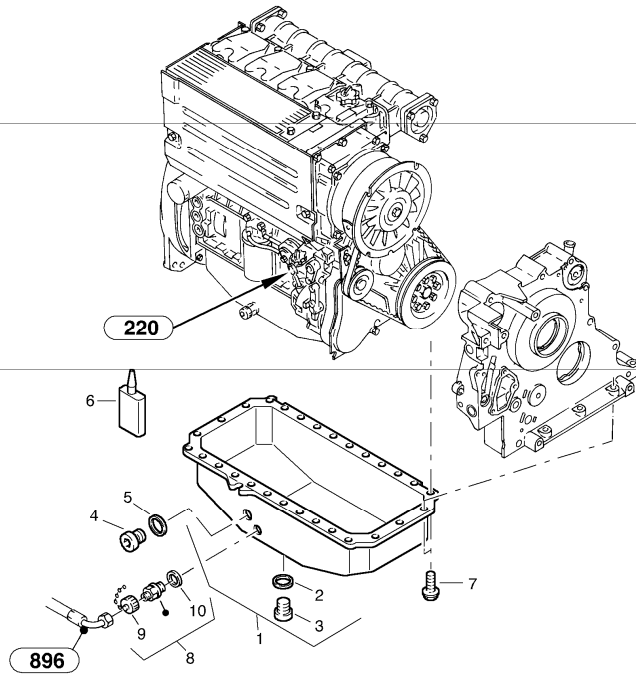
Pos	Part	Q1	Q2	Q3	Q4	Q5	PS	Kit	Description	Option(s)	Remark
1	VOE11370180	1							Crankshaft		
2	ZM2290400	5							•Crankshaft bearing		70,00 MM
2	ZM2900539	REQ							•Crankshaft bearing		69,75 mm
2	ZM2290402	REQ							•Crankshaft bearing		69,50 MM
3	VOE20944762	1							•Thrust Washer		2,40 mm
3	VOE20944769	REQ							•Thrust Washer		2,60 mm
4	ZM2908532	1							Flywheel		
5	ZM2908533	1							•Gear ring		
6	ZM2290407	8							Screw		
7	ZM2290408	1							Toothed belt wheel		See footnote 1415)
8	ZM2904102	1							Flange		See footnote 1415)
9	VOE11370135	1							Deflector		See footnote 1415)
10	ZM2290411	1							Screw		
11	ZM2905385	1							V-belt pulley		
12	ZM2908482	8							Screw		(ZM2900545)
13	ZM2904105	4					SS		Connecting rod		
14	ZM2290416	1							•Bushing		29,06 - 29,10 MM
14	ZM2904108	REQ							•Bushing		29,31 - 29,35 MM
15	ZM2904106	2							•Screw		
16	ZM2290415	2							•Nut		

17	ZM2290432	4							Big end bearing		55,00 MM
17	ZM2900542	REQ							Big end bearing		54,75 mm
17	ZM2900543	REQ							Big end bearing		54,50 MM
18	ZM2290409	1							Toothed belt wheel		See footnote 1375)
19	VOE11370230	1							Spacer		See footnote 1375)
20	VOE11370229	1							Deflector		See footnote 1375)

1375) only by auxiliary pump

1415) not by auxiliary pump

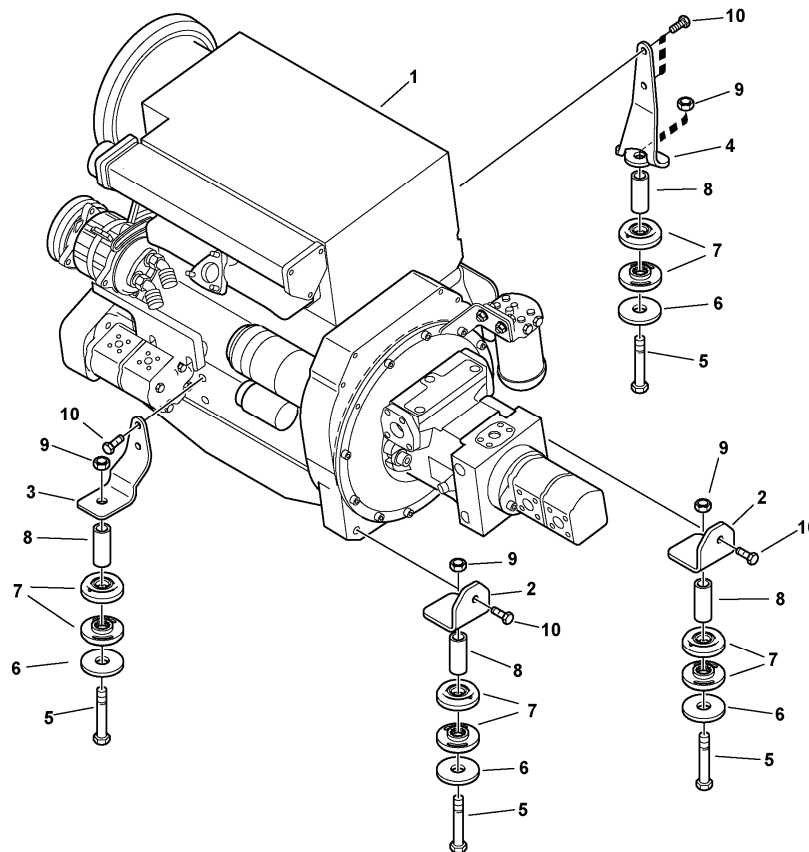
Date: <b>2013/11/5</b>	Image id: <b>1003086</b>	Catalogue: <b>20006</b>	Model: <b>L25B</b>
Brand: <b>Volvo</b>	Serial: <b>1750001-1750499</b>	Group/Section: <b>217/100</b>	Title: <b>Oil sump</b>



Volvo Construction  
Equipment  
1003086

Pos	Part	Q1	Q2	Q3	Q4	Q5	PS	Kit	Description	Option(s)	Remark
1	VOE11370134	1							Oil pan		
2	VOE20542740	1							•Sealing ring		(VOE11700303)A18X24
3	VOE20450891	1							•Plug		M18X1,5
4	VOE20460024	1							•Plug		
5	VOE20460026	1							•Sealing ring		(ZM7099523)
6	ZM2903926	REQ							Sealing compound		
7	ZM2292234	26							Screw		
8	ZM4384256	1							Valve		
9	ZM2285689	1							•Chain with cap		
10	ZM7099518	1							•Seal		C18X24

Date: <b>2013/11/5</b>	Image id: <b>1001447</b>	Catalogue: <b>20006</b>	Model: <b>L25B</b>
Brand: <b>Volvo</b>	Serial: <b>1750001-1750499</b>	Group/Section: <b>218/100</b>	Title: <b>Engine assy</b>

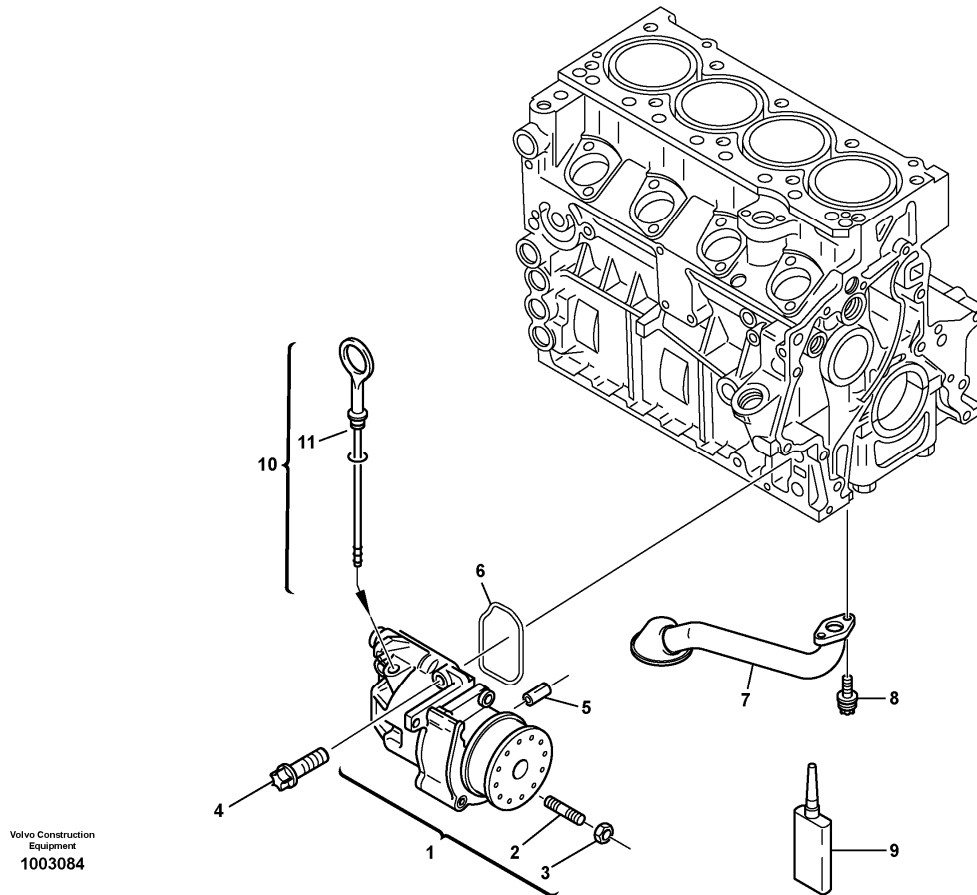


Volvo Construction  
Equipment  
1001447

Pos	Part	Q1	Q2	Q3	Q4	Q5	PS	Kit	Description	Option(s)	Remark
1	ZM2814023	1					SS		Engine, cpl.		
1	VOE11305073	1					SS		Diesel engine		USA
1	VOE11305889	1					SS		Diesel engine		See footnote 1375)
2	ZM2817050	2							Retainer		
3	ZM2817052	1							Retainer		
4	ZM2817239	1							Retainer		
5	VOE978953	4							Hexagon screw		
6	ZM2814435	4							Washer		
7	ZM2811225	8							Buffer		
8	ZM2812436	4							Tube		
9	VOE982489	4							Lock nut		(ZM7098016)
10	VOE980056	6							Flange screw		

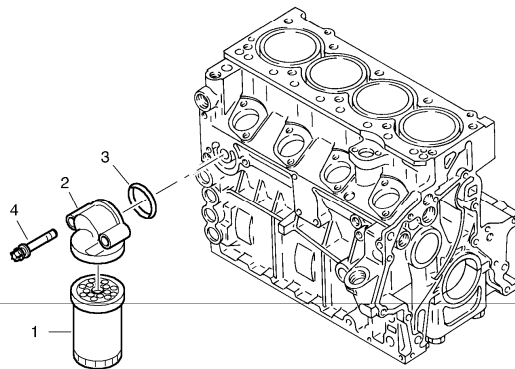
1375) only by auxiliary pump

Date: <b>2013/11/5</b>	Image id: <b>1003084</b>	Catalogue: <b>20006</b>	Model: <b>L25B</b>
Brand: <b>Volvo</b>	Serial: <b>1750001-1750499</b>	Group/Section: <b>221/100</b>	Title: <b>Oil pump</b>



Pos	Part	Q1	Q2	Q3	Q4	Q5	PS	Kit	Description	Option(s)	Remark
1	VOE11370194	1					SS		Oil Pump		
2	ZM2908502	1							•Screw Nail		M6X40
3	VOE20460939	1							•Hexagon nut		M6
4	ZM2904117	4							Screw		
5	ZM2904118	2							Clamping pin		
6	ZM2904119	1							Gasket		
7	VOE11715751	1							Oil pipe		(ZM2904124)
8	ZM2908507	2							Screw		
9	ZM2903828	1					OP		Locking agent		
10	VOE11370113	1					SS		Dipstick		
11	ZM2905171	1							•O-ring		8,5x2,5

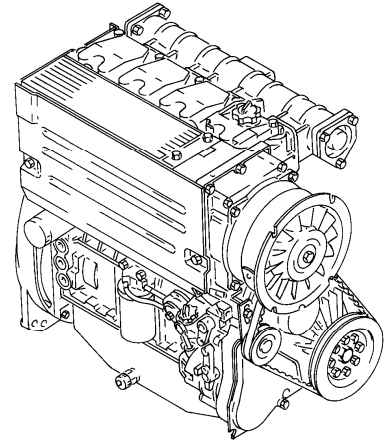
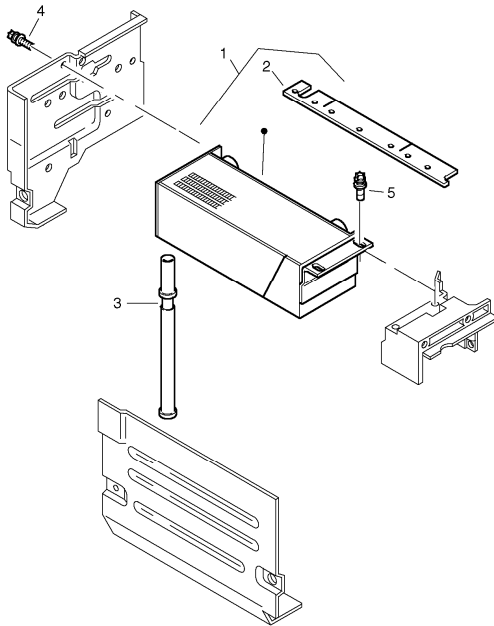
Date: <b>2013/11/5</b>	Image id: <b>1003082</b>	Catalogue: <b>20006</b>	Model: <b>L25B</b>
Brand: <b>Volvo</b>	Serial: <b>1750001-1750499</b>	Group/Section: <b>222/100</b>	Title: <b>Oil filter</b>



Volvo Construction  
Equipment  
1003082

Pos	Part	Q1	Q2	Q3	Q4	Q5	PS	Kit	Description	Option(s)	Remark
1	VOE11715272	1							Oil filter		SB CWL1
2	ZM2907622	1							Bracket		
3	ZM2907372	1							O-ring		
4	ZM2291482	2							Screw		

Date: <b>2013/11/5</b>	Image id: <b>00000059</b>	Catalogue: <b>20006</b>	Model: <b>L25B</b>
Brand: <b>Volvo</b>	Serial: <b>1750001-1750499</b>	Group/Section: <b>223/100</b>	Title: <b>Oil cooler</b>

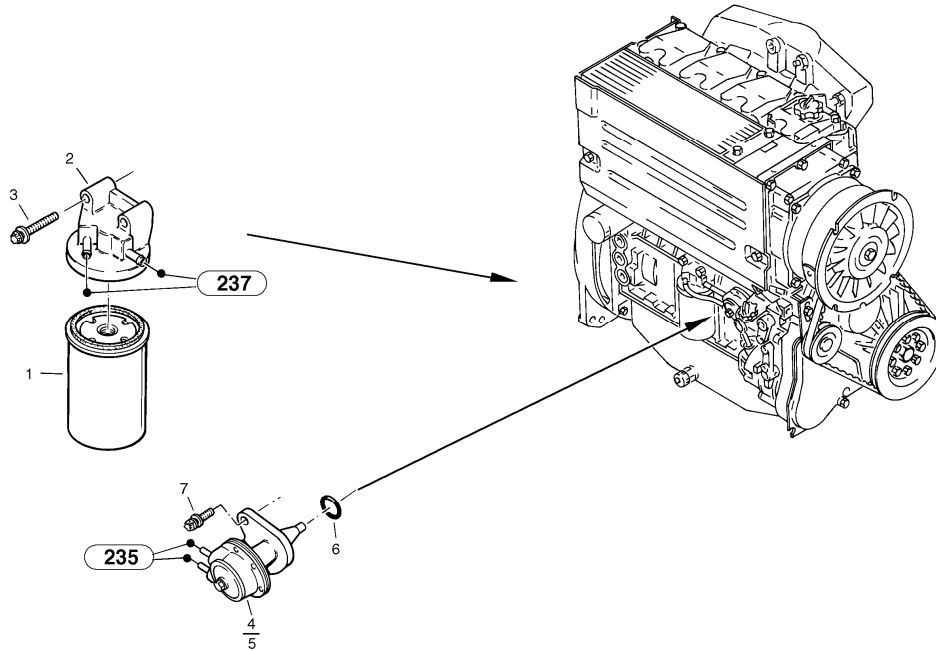


00000059

Pos	Part	Q1	Q2	Q3	Q4	Q5	PS	Kit	Description	Option(s)	Remark
1	ZM2905358	1					SS		Oil cooler		
2	ZM2905359	1							•Sealing strip		
3	ZM2904123	1							Insert pipe		
4	ZM2904121	2							Screw		
5	ZM2908518	2							Screw		



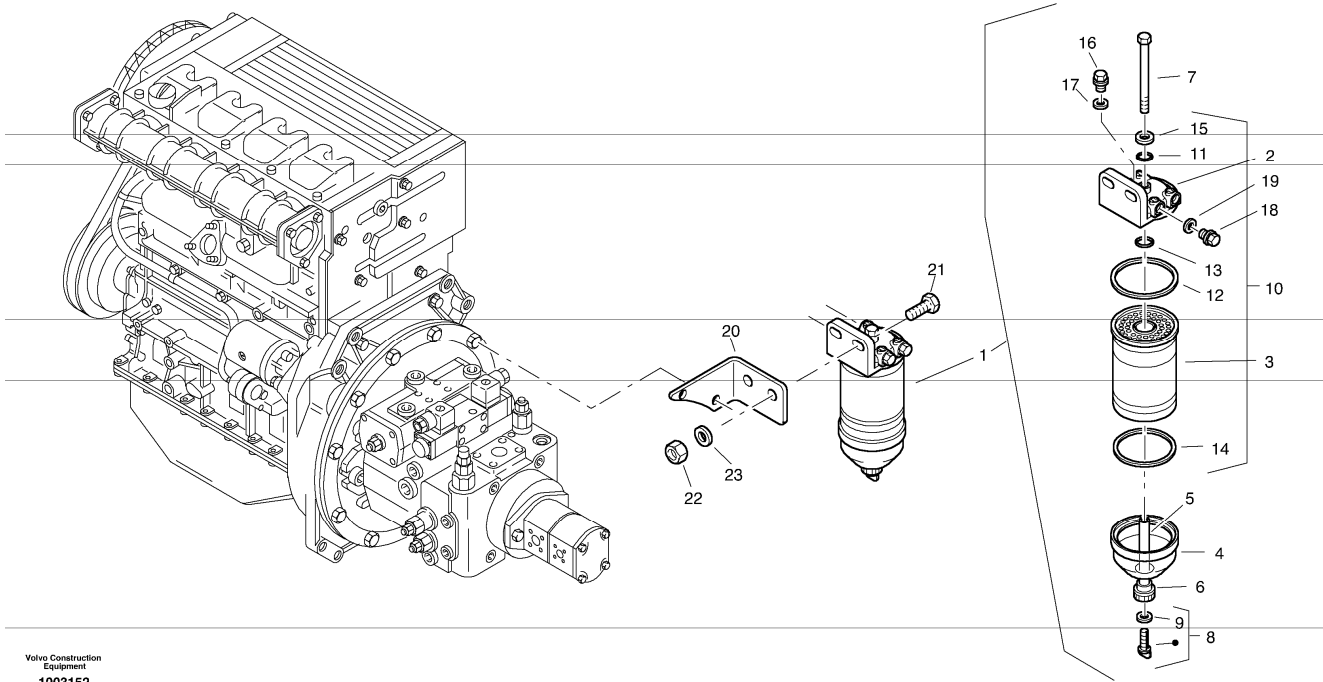
Date: <b>2013/11/5</b>	Image id: <b>00000105</b>	Catalogue: <b>20006</b>	Model: <b>L25B</b>
Brand: <b>Volvo</b>	Serial: <b>1750001-1750499</b>	Group/Section: <b>233/100</b>	Title: <b>Fuel filter - Feed pump</b>



00000105

Pos	Part	Q1	Q2	Q3	Q4	Q5	PS	Kit	Description	Option(s)	Remark
1	ZM2905303	1							Filter		
2	ZM2904125	1							Bracket		
3	ZM2291482	2							Screw		
4	ZM2904380	1							Feed pump		
5	ZM2904381	1							Repair kit		
6	ZM2290370	1							O-ring		
7	ZM2904137	2							Screw		

Date: <b>2013/11/5</b>	Image id: <b>1003152</b>	Catalogue: <b>20006</b>	Model: <b>L25B</b>
Brand: <b>Volvo</b>	Serial: <b>1750001-1750499</b>	Group/Section: <b>23341/100</b>	Title: <b>Filter - Water separator</b>

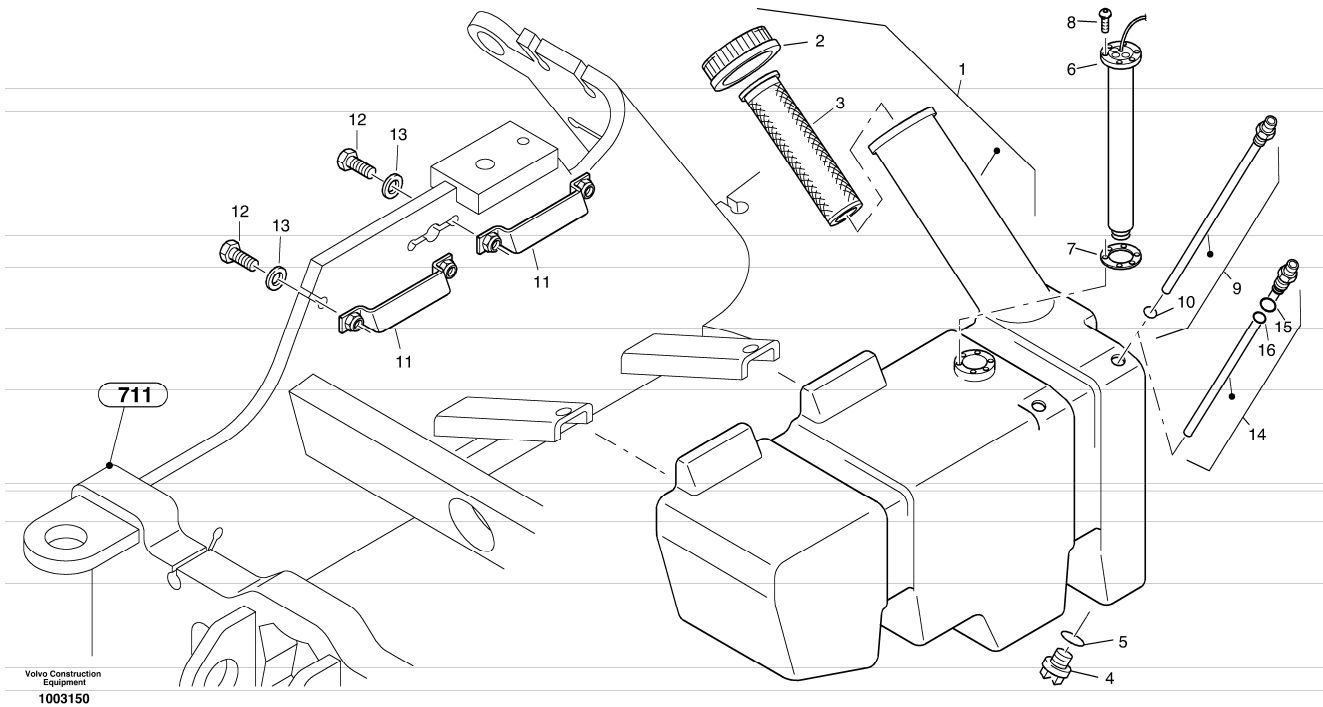


Volvo Construction  
Equipment  
1003152

Pos	Part	Q1	Q2	Q3	Q4	Q5	PS	Kit	Description	Option(s)	Remark
1	ZM2807872	1							Fuel filter		
2	ZM2905307	1					SS		•Filter head		
3	ZM2905298	1							•Filter cartridge		
4	ZM2905299	1							•Sight glass		
5	ZM2905300	1							•Knurled head screw		
6	VOE7242081	1							•Washer		(ZM2905301)
7	ZM2905302	1							•Screw		
8	VOE242595	1							•Plug		(ZM2905304)
9	ZM2910000	1							•Screw		
10	ZM2905306	1							•Gasket set, cpl.		
11	ZM2905308	1							••O-ring		
12	ZM2905309	1							••Gasket		
13	ZM2905310	1							••O-ring		
14	ZM2905311	1							••Gasket		
15	ZM2905312	1							••Washer		
16	ZM2905313	1							•Screw		
17	ZM2164940	1							•Seal		A10X14
18	ZM7099404	2							•Lock Plug		
19	ZM2905314	2							•Seal		
20	ZM2816411	1							Retainer		

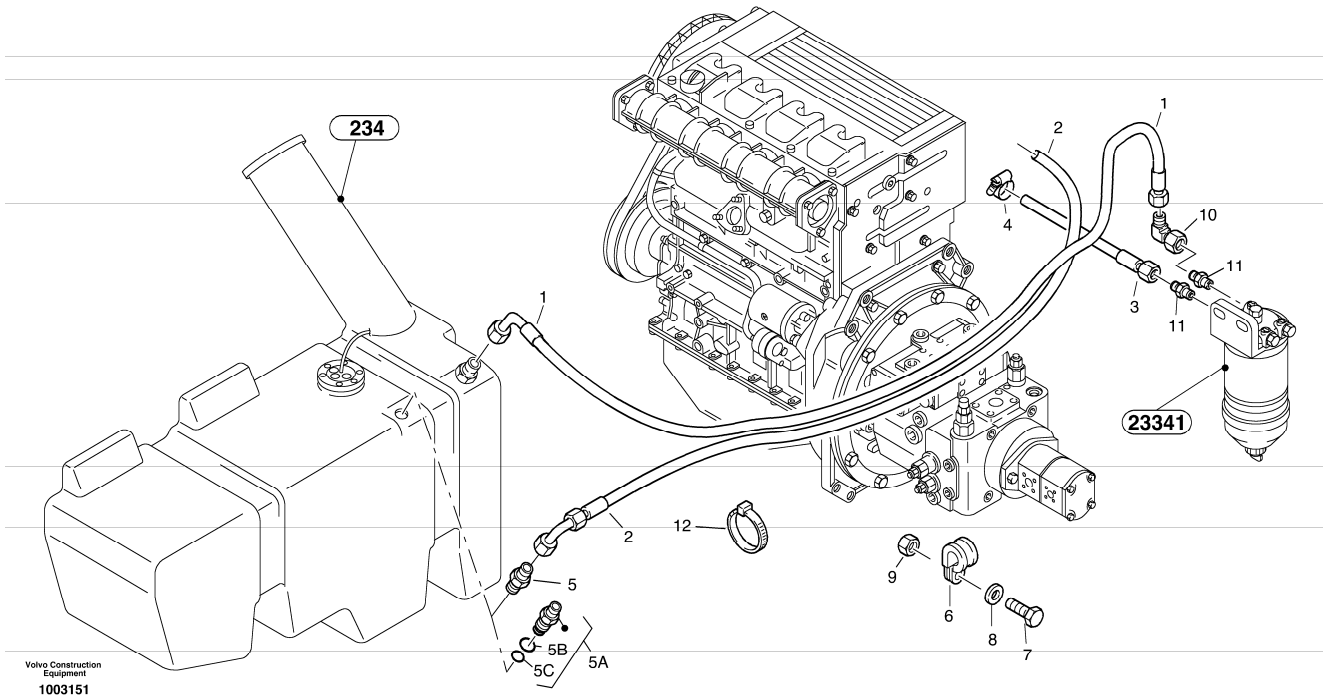
21	VOE983251	2							Hexagon screw		M10X25
22	VOE976945	2							Washer		10,5X22X2
23	VOE983304	2							Hexagon nut		M10

Date: <b>2013/11/5</b>	Image id: <b>1003150</b>	Catalogue: <b>20006</b>	Model: <b>L25B</b>
Brand: <b>Volvo</b>	Serial: <b>1750001-1750499</b>	Group/Section: <b>234/100</b>	Title: <b>Fuel tank</b>



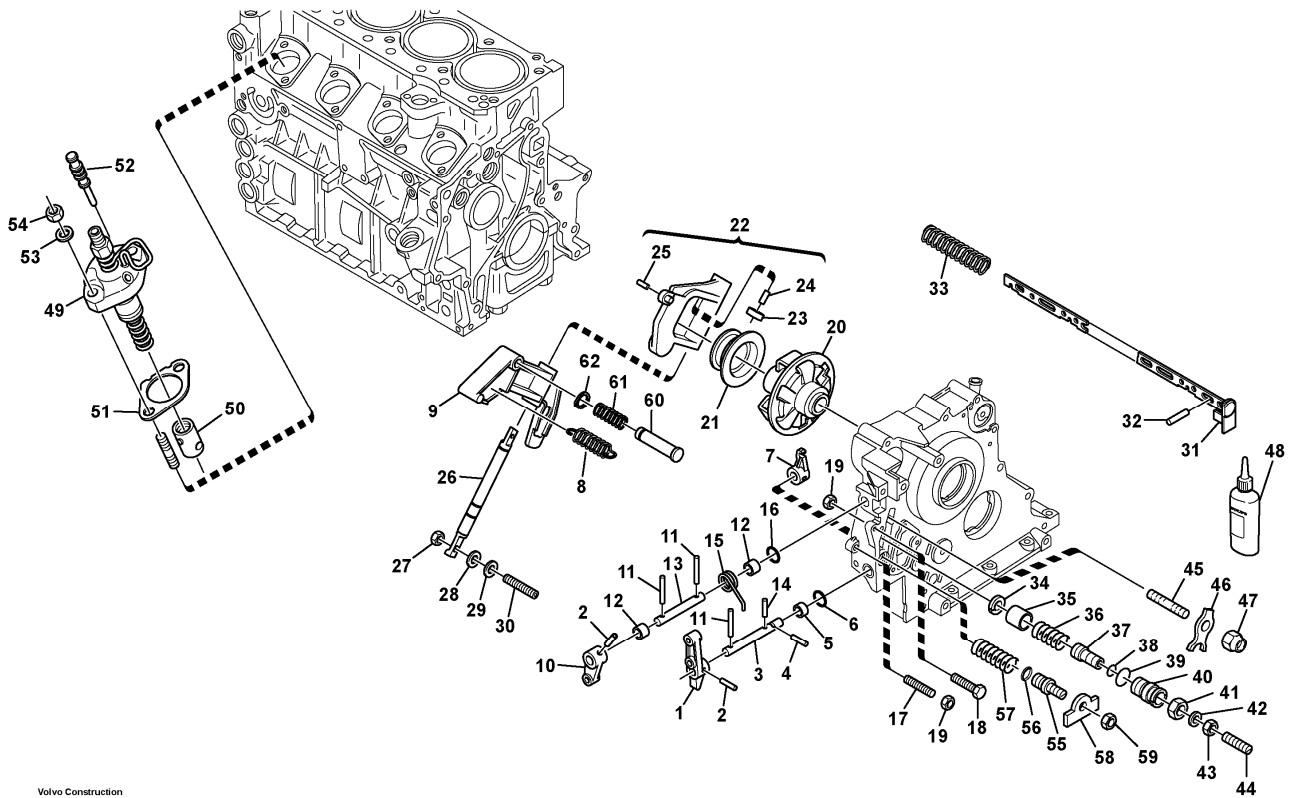
Pos	Part	Q1	Q2	Q3	Q4	Q5	PS	Kit	Description	Option(s)	Remark
1	VOE11370536	1							Fuel tank		-1750262
1	VOE11306053	1							Fuel tank		1750263-
2	VOE11370262	1							•Filler cap		
3	VOE11370263	1							•Fuel Strainer		
4	ZM7099428	1							•Screw plug		M18X1,5
5	ZM1086268	1							•O-ring		16X3
6	ZM2805649	1							Fuel level sensor		
7	ZM2906069	1							•Gasket		
8	VOE11305438	6							Screw		M4X12
9	ZM2816077	1							Suction line		-1750262
10	ZM2906070	1							•O-ring		
11	VOE11305412	2							Retainer		
12	VOE983245	4							Hexagon screw		M8X40
13	VOE11117464	4							Washer		(VOE13960141) 8,4X22X2
14	VOE11306081	1							Suction pipe		1750263-1751710
	VOE11308933	1							Suction pipe		1751711 -
15	VOE11370540	1							•O-ring		22x5,5
16	VOE11370541	1							•O-ring		14x5

Date: <b>2013/11/5</b>	Image id: <b>1003151</b>	Catalogue: <b>20006</b>	Model: <b>L25B</b>
Brand: <b>Volvo</b>	Serial: <b>1750001-1750499</b>	Group/Section: <b>235/100</b>	Title: <b>Fuel pipes</b>



Pos	Part	Q1	Q2	Q3	Q4	Q5	PS	Kit	Description	Option(s)	Remark
1	VOE11305405	1							Fuel hose		
2	VOE11305406	1							Fuel hose		
3	ZM2811483	1							Fuel hose		
4	VOE943470	1							Hose clamp		
5	ZM2811249	1							Pipe end		-1750262
5A	VOE11306079	1							Fitting		1750263-
5B	VOE11370540	1							•O-ring		22x5,5, 1750263-
5C	VOE11370541	1							•O-ring		14x5, 1750263-
6	VOE952634	1							Clamp		
7	VOE13948356	1							Flange screw		
8	VOE960139	1							Washer		
9	VOE983302	1							Hexagon nut		
10	VOE13945357	1							Elbow nipple		
11	VOE11306928	2							Stud		
12	VOE4881438	1							Cable tie		

Date: <b>2013/11/5</b>	Image id: <b>1003101</b>	Catalogue: <b>20006</b>	Model: <b>L25B</b>
Brand: <b>Volvo</b>	Serial: <b>1750001-1750499</b>	Group/Section: <b>236/100</b>	Title: <b>Speed adjustment - Fuel injection pump</b>



Volvo Construction  
Equipment  
1003101

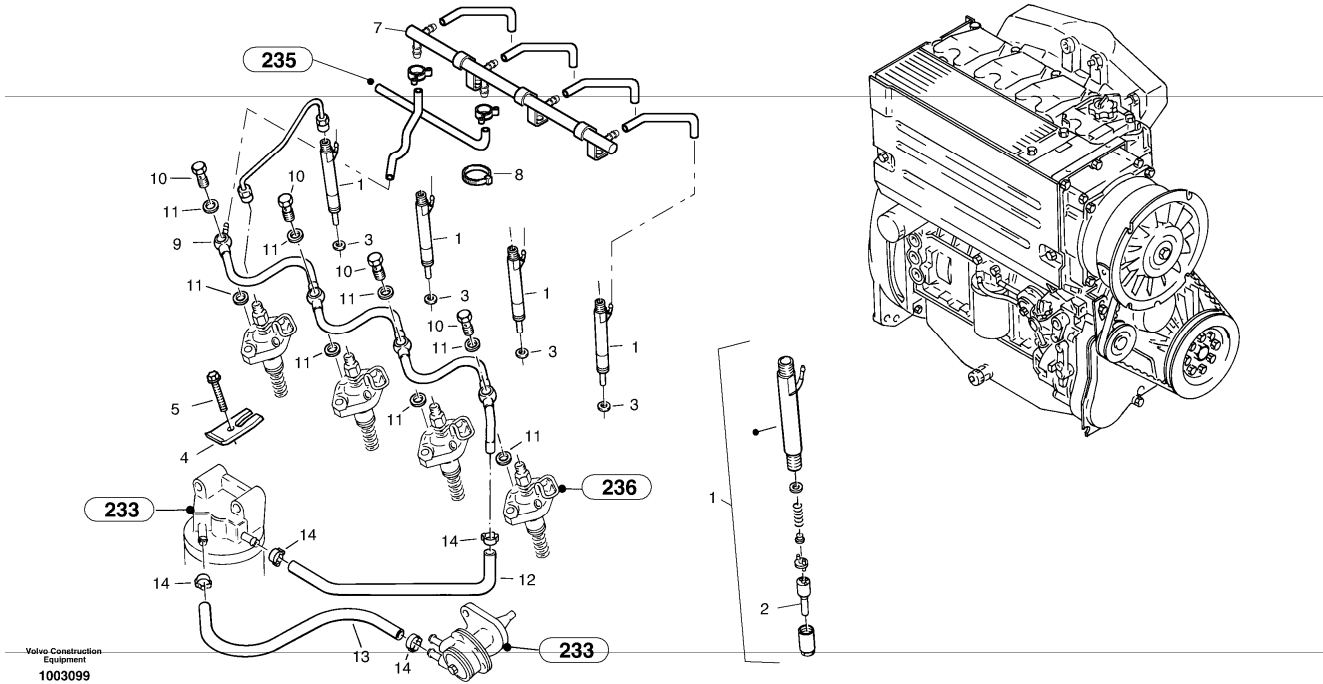
Pos	Part	Q1	Q2	Q3	Q4	Q5	PS	Kit	Description	Option(s)	Remark
1	ZM2904077	1							Lever		
2	ZM7099461	2							Clamping pin		5X20
3	VOE11370655	1							Shaft		(VOE11370254)
4	ZM2292257	1							Bolt		
5	ZM2290478	1					SS		Sleeve		
6	ZM2291459	1							O-ring		
7	ZM2900507	1							Lever		
8	VOE11715758	1					SS		Tension spring		(ZM2905368)
9	VOE11370255	1							Hand lever		
10	ZM2290482	1							Stop lever		
11	ZM7099461	3							Clamping pin		5X20
12	ZM2290478	2					SS		Sleeve		
13	ZM2292255	1							Lever shaft		
14	VOE11370252	1							Spring pin		
15	ZM2291464	1							Torsion spring		

16	ZM2291459	1						O-ring		
17	VOE15051912	1						Set screw		(ZM2291466)M6X50
18	VOE20534527	1						Screw		(VOE11370256)
19	VOE20460939	2						Hexagon nut		M6
20	VOE11370251	1						Centrifugal governor		
21	ZM2904079	1						Sleeve		
22	ZM2904076	1					SS	Roller lever		
23	ZM2904081	2						•Ball bearing		608-2Z
24	VOE11715759	2						•Bolt		(ZM2904082)A8K6X20
25	ZM7098820	1						•Pin		
26	ZM2904080	1						Axle		
27	VOE20460939	2						Hexagon nut		M6
28	ZM2291467	1						Washer		
29	ZM2291465	1						Washer		
30	VOE11370223	2						Stud		(ZM2291463)M6X12
31	ZM2904084	1						Control rod		
32	ZM2904085	1						Fixed pin		
33	ZM2290471	1						Pressure spring		
34	VOE955970	1						Retaining ring		(ZM7094953)14X1
35	ZM2906905	1						Stop		
36	ZM2291475	1						Pressure spring		
37	ZM2291476	1					SS	Adjusting screw		
38	ZM2291479	1						O-ring		
39	ZM2291480	1						O-ring		
40	ZM2906904	1						Adjusting screw		
41	VOE11700373	1						Nut		
42	ZM2904086	1						Seal		
43	VOE11370250	1						Nut		
44	ZM2906906	1						Screwed pin		
45	VOE11370248	1						Stud		
46	ZM2291472	1						Claw		
47	VOE20459037	1						Nut		(VOE11370249)
48	VOE20464471	REQ						Locking fluid		
49	ZM2908508	4						Injection pump		
50	ZM2901356	4						Roller tappet		
51	ZM2904128	REQ						Balancer gasket		0,4 MM
51	ZM2904129	REQ						Balancer gasket		0,5 MM
51	ZM2904130	REQ						Balancer gasket		0,6 MM
51	ZM2904131	REQ						Balancer gasket		0,7 MM
51	ZM2904132	REQ						Balancer gasket		0,8 MM
51	ZM2904133	REQ						Balancer gasket		0,85 mm
51	ZM2904134	REQ						Balancer gasket		0,95 mm
52	ZM2904135	4						Plug		
53	VOE20405802	8						Washer		
54	VOE11370264	8						Hexagon nut		
55	ZM2905364	1					SS	Case		

56	ZM2905365	1							O-ring		
57	VOE11370247	1							Compression spring		
58	ZM2905366	1							Washer		
59	VOE11370246	1							Hexagon nut		
60	VOE11370259	1							Stop pin		
61	VOE11716467	1							Compression spring		(VOE11370260)
62	VOE11370261	1							Retaining ring		

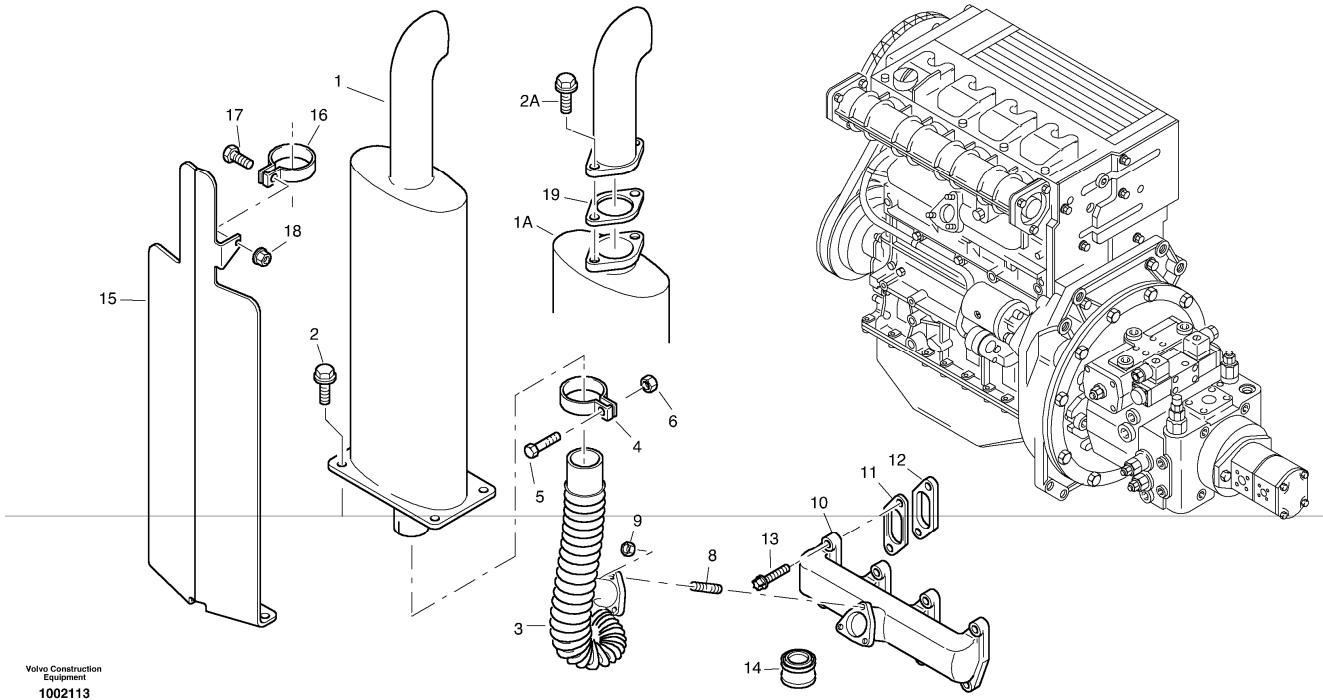


Date: <b>2013/11/5</b>	Image id: <b>1003099</b>	Catalogue: <b>20006</b>	Model: <b>L25B</b>
Brand: <b>Volvo</b>	Serial: <b>1750001-1750499</b>	Group/Section: <b>237/100</b>	Title: <b>Injection pipes, Injection valve</b>



Pos	Part	Q1	Q2	Q3	Q4	Q5	PS	Kit	Description	Option(s)	Remark
1	VOE11370195	4							Injection valve		
2	ZM2904383	4							•Nozzle element		
3	VOE11700426	4							Sealing ring		
4	ZM2904139	4							Stabilisor		
5	ZM2908510	4							Screw		
6	ZM2908514	4							Injection pipes		
7	VOE11370196	1							Overflow pipe		
8	ZM2905336	1							Holder ribbon		
9	VOE11370224	1							Fuel pipe		
10	VOE20460936	4							Hollow screw		
11	VOE11370245	8							Sealing washer		
12	ZM2908264	1							Rubber hose		(ZM2904148)
13	ZM2908264	1							Rubber hose		(ZM2290398)
14	VOE20914426	4							Hose Clamp		(ZM2904147)

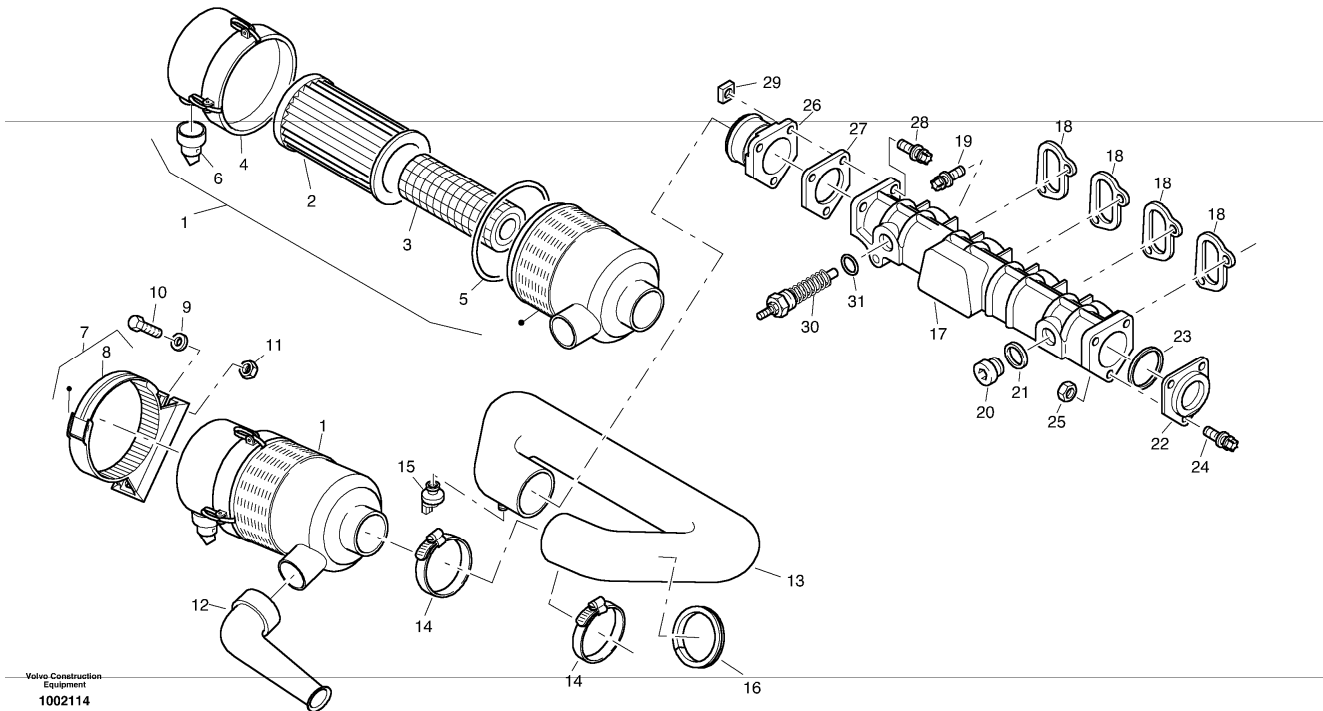
Date: <b>2013/11/5</b>	Image id: <b>1002113</b>	Catalogue: <b>20006</b>	Model: <b>L25B</b>
Brand: <b>Volvo</b>	Serial: <b>1750001-1750499</b>	Group/Section: <b>252/100</b>	Title: <b>Exhaust system</b>



Pos	Part	Q1	Q2	Q3	Q4	Q5	PS	Kit	Description	Option(s)	Remark
1	VOE11305127	1							Silencer		
1	VOE11306271	REQ							Silencer		
1A	VOE11306051	1							Silencer		Exhaust pipe, short
2	VOE946441	4							Flange screw		
2A	VOE13965191	2							Screw		Exhaust pipe, short
3	VOE15215594	1							Exhaust hose		(VOE11305021)
4	VOE11306075	1							Clamp		
5	VOE13945444	1							Screw		
6	VOE13945408	1							Nut		
8	VOE20450994	3							Stud		
9	ZM7098010	3							Nut		
10	ZM2907513	1							Collecting pipe		
11	ZM4083910	1							Stiffener		
12	ZM2904038	4							Flange		
13	VOE11370270	8					SS		Screw		
14	ZM2908435	REQ					OP		Gasket compound		
15	VOE11306250	1							Shield		Canopy
16	VOE11306257	1							Clamp		Canopy
17	VOE13945444	1							Screw		Canopy
18	VOE945408	1					SS		Flange nut		Canopy

19	VOE11306057	1							Gasket		Exhaust pipe, short
----	-------------	---	--	--	--	--	--	--	--------	--	---------------------

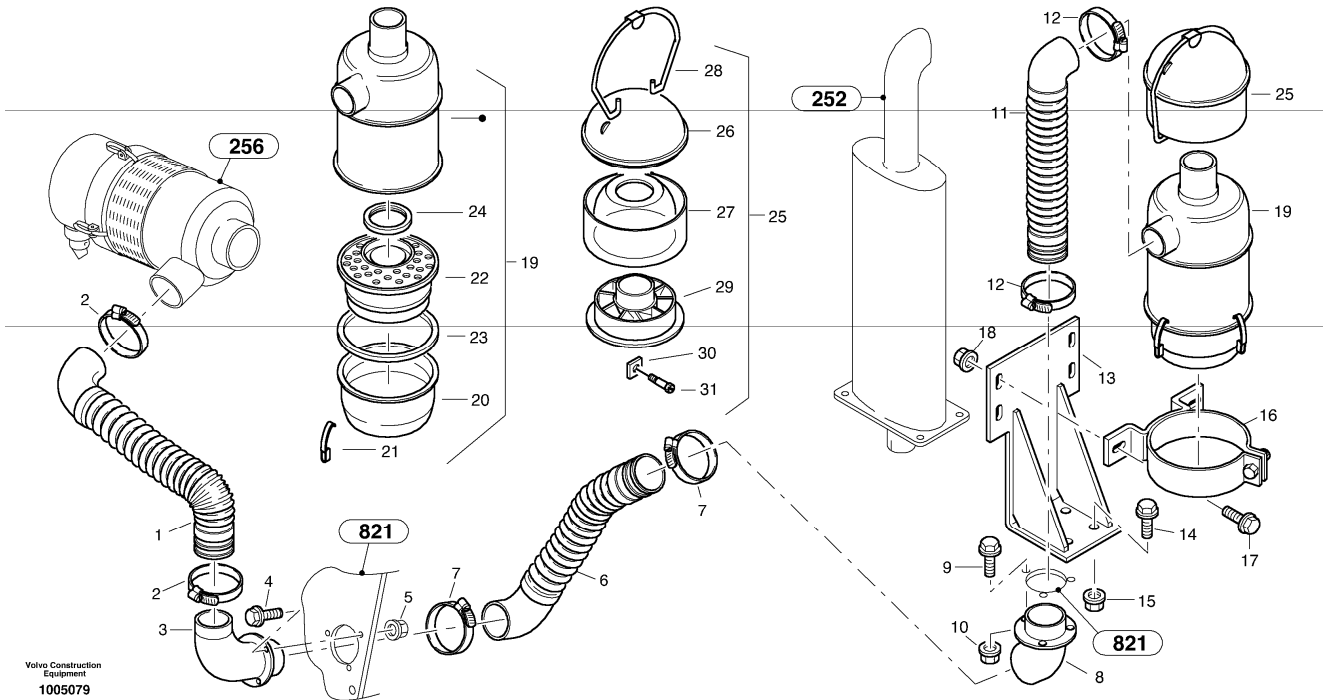
Date: <b>2013/11/5</b>	Image id: <b>1002114</b>	Catalogue: <b>20006</b>	Model: <b>L25B</b>
Brand: <b>Volvo</b>	Serial: <b>1750001-1750499</b>	Group/Section: <b>256/100</b>	Title: <b>Suction system, filter</b>



Pos	Part	Q1	Q2	Q3	Q4	Q5	PS	Kit	Description	Option(s)	Remark
1	ZM2811086	1							Air filter		
2	ZM2903849	1							•Micro-Top- Cartouche		
3	ZM2903850	1							•Insert		
4	ZM2907907	1							•Under part		
5	ZM2907908	1							•Ring		
6	ZM2061390	1							•Dust discharge valve		
7	ZM2804863	1							Retainer		
8	ZM2903851	1							•Spring		
9	VOE13955894	2							Washer		
10	VOE983245	2							Hexagon screw		
11	VOE983303	2							Hexagon nut		
12	ZM2808883	1							Exhaust pipe		
13	VOE11305060	1							Suction hose		
14	VOE943481	2							Hose clamp		
15	ZM2813695	1							Switch		
16	ZM4388103	REQ							Moulding		300 mm
17	VOE11370225	1							Inlet manifold		
18	ZM2903605	4							Gasket		

19	ZM2900002	8							Screw		
20	ZM7099424	1							Screw plug		
21	VOE20460026	1							Sealing ring		(ZM7099523)
22	ZM2900004	1							Flange		
23	ZM2900003	1							O-ring		
24	ZM2900005	3							Screw		
25	VOE20405733	3							Hexagon nut		
26	ZM4084010	1							Connection piece		
27	ZM4083990	1							Nut		
28	VOE3586624	3							Hexagon screw		(ZM2905363)
29	ZM7098451	3							Square Nut		
30	ZM4065780	1							Support		
31	VOE20460026	1							Sealing ring		(ZM7099523)

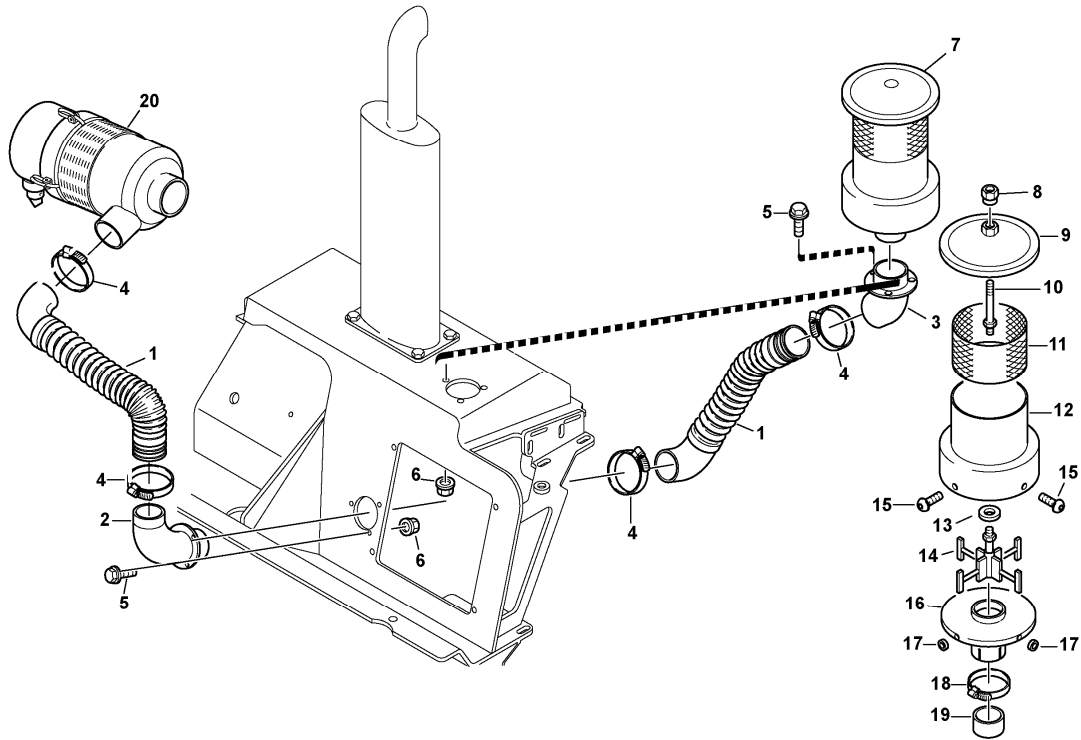
Date: <b>2013/11/5</b>	Image id: <b>1005079</b>	Catalogue: <b>20006</b>	Model: <b>L25B</b>
Brand: <b>Volvo</b>	Serial: <b>1750001-1750499</b>	Group/Section: <b>2567/100</b>	Title: <b>Prefilter - Oil bath air filter</b>



Pos	Part	Q1	Q2	Q3	Q4	Q5	PS	Kit	Description	Option(s)	Remark
1	ZM2806244	1							Hose		
2	VOE943481	2							Hose clamp		
3	VOE11305629	1							Pipe end		
4	VOE13946544	3							Screw		
5	VOE13949278	3							Flange lock nut		
6	ZM2806244	1							Hose		
7	VOE943481	2							Hose clamp		
8	VOE11305634	1							Pipe end		
9	VOE13946544	3							Screw		
10	VOE13949278	3							Flange lock nut		
11	ZM2806244	1							Hose		
12	VOE943481	2							Hose clamp		
13	ZM2804921	1							Retainer		
14	VOE946441	4							Flange screw		
15	VOE13971095	4							Flange nut		
16	VOE11305642	1							Retainer		
17	VOE946671	2							Flange screw		
18	VOE945408	2					SS		Flange nut		
19	VOE11305643	1							Oil bath air cleaner		
20	ZM5027660	1							•Oil tank		

21	VOE6634778	3							•Latch		(ZM4053980)
22	ZM5027670	1							•Insertion		
23	VOE6611320	1							•Gasket		(ZM5027690)
24	ZM5027680	1							•Gasket		
25	VOE11305645	1							Cyclone cleaner		
26	ZM2133280	1							•Cover		
27	ZM2189680	1							•Pot		
28	ZM2133300	1							•Brace		
29	ZM2189690	1							•Wing wheel		
30	VOE6617832	1							•Nut		(ZM2123040)
31	ZM2136120	1							•Screw		

Date: <b>2013/11/5</b>	Image id: <b>1005377</b>	Catalogue: <b>20006</b>	Model: <b>L25B</b>
Brand: <b>Volvo</b>	Serial: <b>1750001-1750499</b>	Group/Section: <b>2568/100</b>	Title: <b>Pre-filter - Turbo II</b>



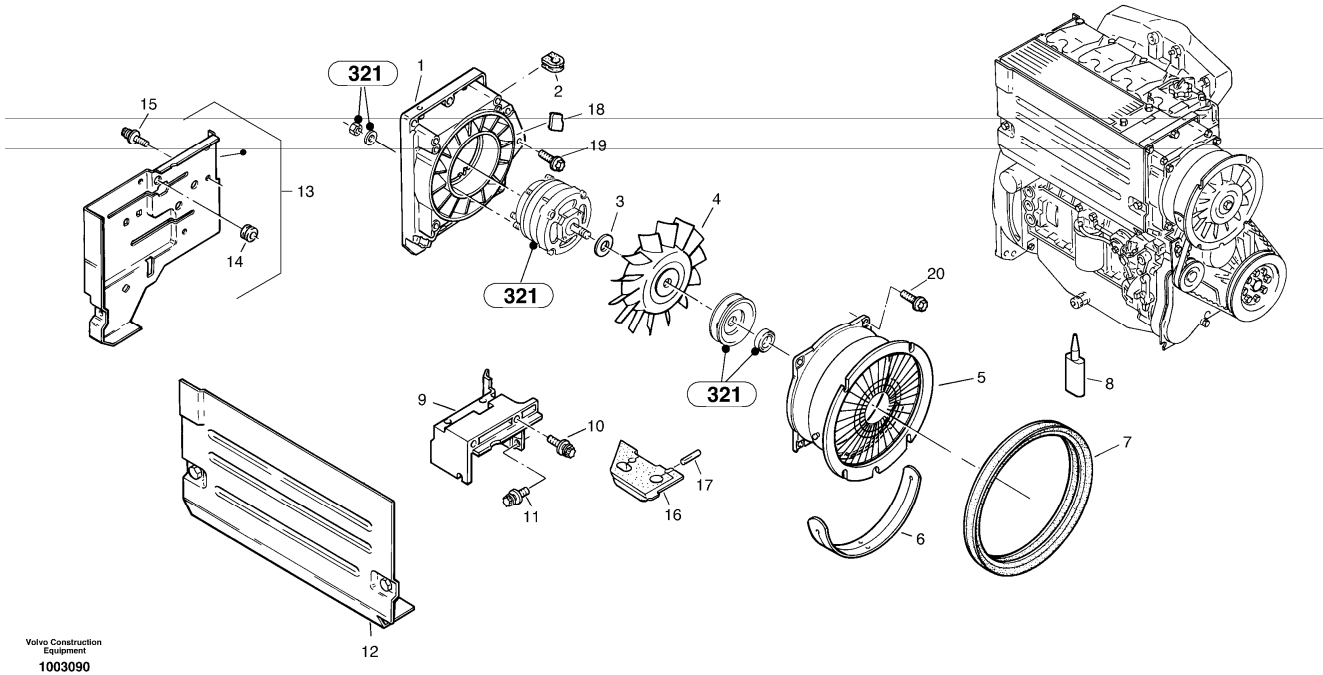
Volvo Construction  
Equipment  
1005377

Pos	Part	Q1	Q2	Q3	Q4	Q5	PS	Kit	Description	Option(s)	Remark
1	ZM2806244	2							Hose		
2	VOE11305629	1							Pipe end		
3	VOE11305634	1							Pipe end		
4	VOE943481	4							Hose clamp		
5	VOE13946544	6							Screw		
6	VOE13949278	6							Flange lock nut		
7	ZM2811088	1							Pre-cleaner - Turbo II		
8	ZM2908021	1							•Nut		
9	ZM2908012	1							•Cap		
10	ZM2908013	1							•Rod		
11	ZM2908014	1							•Inlet filter		
12	ZM2908015	1							•Housing		
13	ZM2908016	1							•Washer		
14	ZM2908017	1							•Spinner		



15	ZM2908018	4							•Bolt		
16	ZM2908019	1							•Floor		
17	ZM2908020	4							•Distance piece		
18	ZM2908022	1							•Clip		
19	ZM2908023	1							•Ring		
20		1							Air filter, cpl.		See ref 256/100

Date: <b>2013/11/5</b>	Image id: <b>1003090</b>	Catalogue: <b>20006</b>	Model: <b>L25B</b>
Brand: <b>Volvo</b>	Serial: <b>1750001-1750499</b>	Group/Section: <b>263/100</b>	Title: <b>Fan, Blower casing</b>



Volvo Construction  
Equipment  
1003090

Pos	Part	Q1	Q2	Q3	Q4	Q5	PS	Kit	Description	Option(s)	Remark
1	ZM2904153	1							Blower casing		
2	ZM2290294	2							Sleeve		
3	ZM2904151	REQ							Washer		5,00 mm
3	ZM2290289	REQ							Washer		5,50 mm
3	ZM2290290	REQ							Washer		6,00 mm
3	ZM2290291	REQ							Washer		6,50 mm
3	ZM2904152	REQ							Washer		7,00 mm
4	ZM2905391	1							Blower wheel		
5	VOE15053907	1							Cover		(ZM2900578)
6	ZM2905369	1							•Gasket		
7	ZM2904157	1							Profiled joint		
8	ZM2904204	REQ					OP		Cement		
9	VOE11370071	1							Air guide		
10	ZM2904159	2							Screw		
11	ZM2908518	1							Screw		
12	ZM2905371	1							Hood		
13	VOE11370070	1							Plate		
14	ZM2259930	1							•Rubber spout		
15	ZM2904121	3							Screw		
16	VOE11715525	1							Profile		(ZM2904363)

Thank you so much for reading.  
Please click the “Buy Now!”  
button below to download the  
complete manual.



After you pay.

You can download the most  
perfect and complete manual in  
the world immediately.

Our support email:

[ebooklibonline@outlook.com](mailto:ebooklibonline@outlook.com)